

# Two-Piece Bolt-Through Diaphragm and Fluid Section Repair Kits

406809E

EN

For use on Husky® 1050 Diaphragm Pumps.

## Diaphragm Kits:

Kit 24B627 - PTFE/EPDM

Kit 24F926 - PTFE/Santoprene™

## Fluid Section Repair Kits:

Kits 25A855, 25A856, 25A860, 25A862, 25C819, 25C820

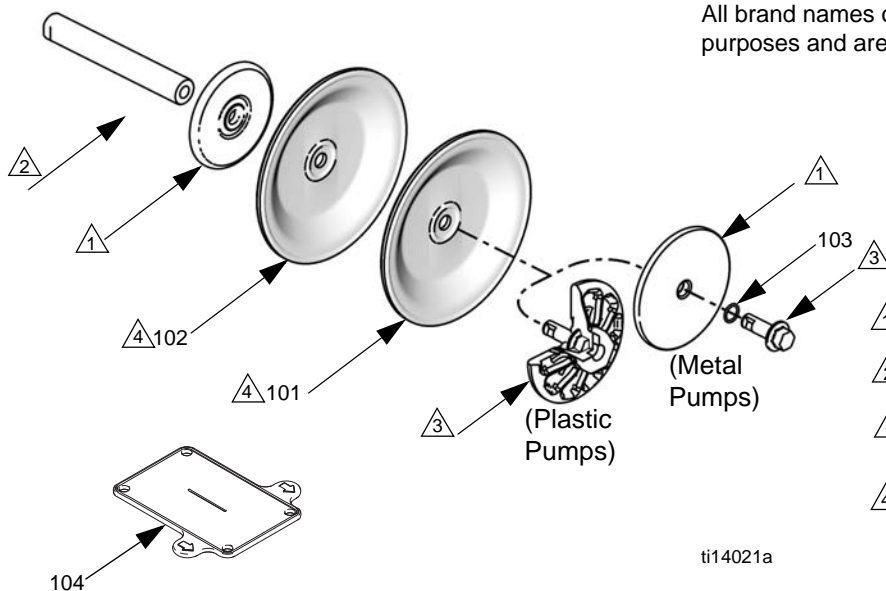


### Important Safety Instructions

Read all warnings and instructions in the Husky® 1050 Air-Operated Diaphragm Pump Repair/Parts manual 313435. Save all instructions.

Ref.	Description	Qty.
101	DIAPHRAGM, PTFE	2
102	DIAPHRAGM, backup, EPDM	2
	DIAPHRAGM, backup, Santoprene	2
103	O-RING, shaft bolt, for 1050A (aluminum), 1050H (hastelloy), and 1050S (stainless steel) models	2

Ref.	Description	Qty.
104	TOOL, diaphragm install	1
105	O-RING, manifold, PTFE (not shown)	8
---	ADHESIVE, anaerobic (not shown)	1
---	SEAT (not shown), polypropylene (25A855), SST for metal pumps (25A856, 25A862), SST for plastic pumps (25C819, 25C820), PVDF (25A860)	4
---	BALL (not shown), PTFE (25A855, 25A856, 25A860, 25C819), SST (25A862, 25C820)	4



All brand names or marks are used for identification purposes and are trademarks of their respective owners.

ti14021a

Graco Inc. P.O. Box 1441 Minneapolis, MN 55440-1441

Original instructions. MM 406809, Rev. E 03/2017

Copyright 2009, Graco Inc. is registered to ISO 9001

See reverse for assembly instructions.

## Assembly

1. Follow the steps for your type of pump to assemble the diaphragms and attach one of the fluid covers.

### Metal Pumps (1050A, 1050H, 1050S)

- a. Install the o-ring (103) on the shaft bolt.
- b. Assemble the fluid side plate, the backup diaphragm (102), the diaphragm (101), and the air side diaphragm plate on the bolt exactly as shown on page 1.
- c. Apply medium-strength (blue) Loctite or equivalent to the bolt threads. Screw the bolt into the shaft hand tight.
- d. Apply lithium-based grease to the shaft u-cups (in center housing) and the length and ends of the diaphragm shaft. Slide the shaft into the housing.
- e. Repeat Steps a-c for the other diaphragm assembly.
- f. Hold one shaft bolt with a wrench and torque the other bolt to 20-25 ft-lb (27-34 N•m) at 100 rpm maximum. Do not over-torque.
- g. Reattach the first fluid cover (3). See **Torque Instructions**, in the manual. Go to Step 2.

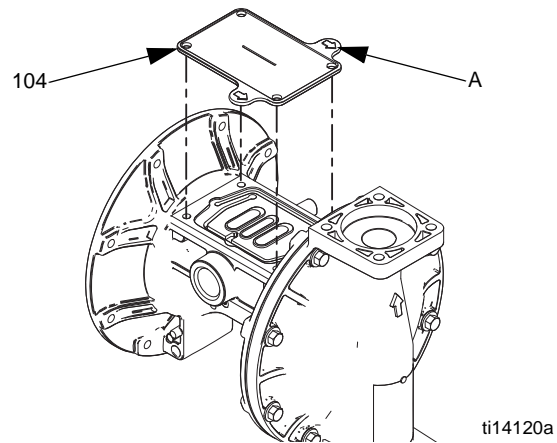
### Plastic Pumps (1050C, 1050F, 1050P)

- a. Assemble the diaphragm (101), the backup diaphragm (102), and the air side diaphragm plate on the fluid side plate.
- b. Apply medium-strength (blue) Loctite or equivalent to the threads of the screw on the fluid side plate. Screw the assembly into the shaft hand-tight.
- c. Apply lithium-based grease to the shaft u-cups (in center housing) and the length and ends of the diaphragm shaft. Slide the shaft into the housing.
- d. Repeat Steps a-b for the other diaphragm assembly.

- e. Hold one of the plates with a wrench, and torque the other plate to 20-25 ft-lb (27-34 N•m) at 100 rpm maximum. Do not over-torque.

- f. Reattach the first fluid cover. See **Torque Instructions** in the manual.

2. To ensure proper seating and extend diaphragm life, attach the second fluid cover with air pressure on the pump.
  - a. Place the supplied tool (104) where the air valve gasket normally goes. Arrows (A) must face toward the fluid cover that is already attached.



- b. Reattach the air valve.
- c. Supply a minimum of 20 psi (0.14 MPa, 1.4 bar) air pressure to the air valve. Shop air may be used. The diaphragm will shift so the second fluid cover will seat properly. Keep air pressure on until the second fluid cover is attached.
- d. Attach the second fluid cover. Follow **Torque Instructions** in the manual.
- e. Remove the air valve and the tool (104).

**NOTE:** If you are replacing the diaphragms but not the air valve, you must remove the air valve and gasket, put the tool in place of the gasket, and put the air valve back on to get the air pressure needed for proper installation of the second fluid cover. Remember to remove the tool and replace the gasket when finished.

3. Reassemble the ball check valves and manifolds as explained in the manual.