

Inlet and Outlet Seat Kits

406875B

EN

Seats for 750cc, 1000cc, 1500cc, and 2000cc 4-Ball Lowers



Important Safety Instructions

Read all warnings and instructions in this manual and in your High-Flo pump manual. Save all instructions.

Outlet Kits

Kit 24F249

Ref.	Description	Qty
7	GASKET, seat, valve; UHMWPE	2
23	BALL, outlet valve; sst	2
24	SEAT, outlet valve; carbide	2

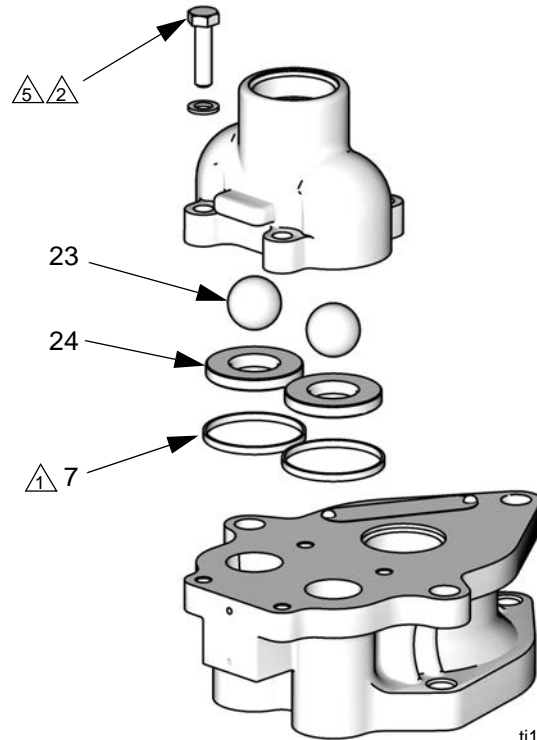
Kit 17K756

Ref.	Description	Qty
7	GASKET, seat, valve; UHMWPE	2
23	BALL, outlet valve; sst	2
24	SEAT, outlet valve; sst	2

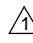
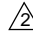

Kit 17K757

Ref.	Description	Qty
7	GASKET, seat, valve; UHMWPE	2
23	BALL, outlet valve; sst	2
24	SEAT, outlet valve; ZX	2

See page 2 for inlet kit.



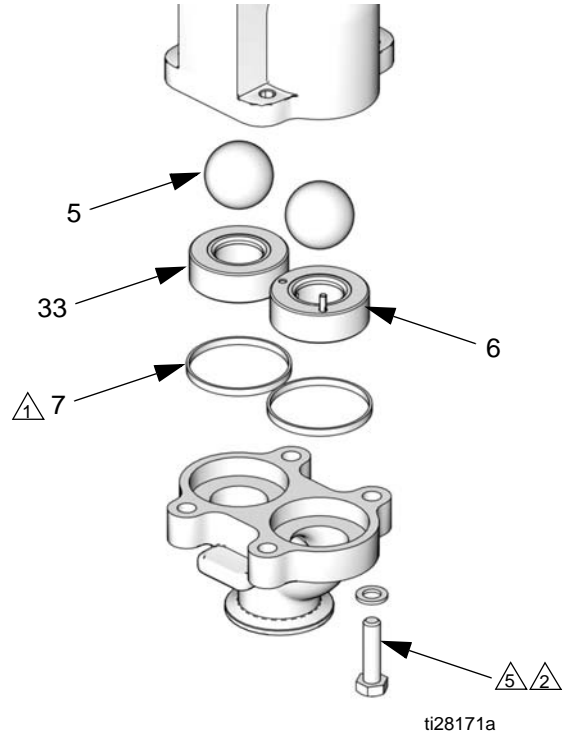
ti16151a

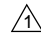

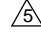
-  Apply lubricant to all packings.
-  Apply removable (blue) Loctite® 243 to entire length of threads. Sealant must be allowed to cure for a minimum of 12 hours before use.
-  Torque 25-30 ft-lb (34-40 N•m).

Inlet Kit

Kit 17K526

Ref.	Description	Qty
7	GASKET, seat, valve; UHMWPE	2
5	BALL, inlet valve; sst	2
6	SEAT, inlet check, with pressure relief valve	1
33	SEAT, inlet check	1



-  Apply lubricant to all packings.
-  Apply removable (blue) Loctite® 243 to entire length of threads. Sealant must be allowed to cure for a minimum of 12 hours before use.
-  Torque 25-30 ft-lb (34-40 N•m).

All written and visual data contained in this document reflects the latest product information available at the time of publication. Graco reserves the right to make changes at any time without notice.

Original instructions. This manual contains English. MM 406875

Graco Headquarters: Minneapolis
International Offices: Belgium, China, Japan, Korea
GRACO INC. P.O. BOX 1441 MINNEAPOLIS, MN 55440-1441

Copyright 2010, Graco Inc. is registered to ISO 9001
www.graco.com
Revision B, January 2016