



# ProMix PD2K Automatic Applicator Control Kit

Simple control of your finishing automation process



## Easily automate and control your painting process

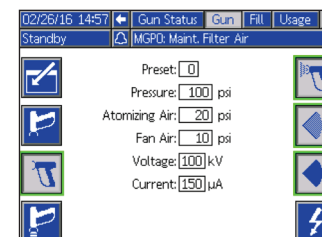
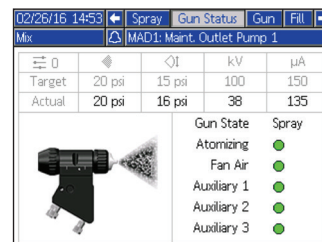
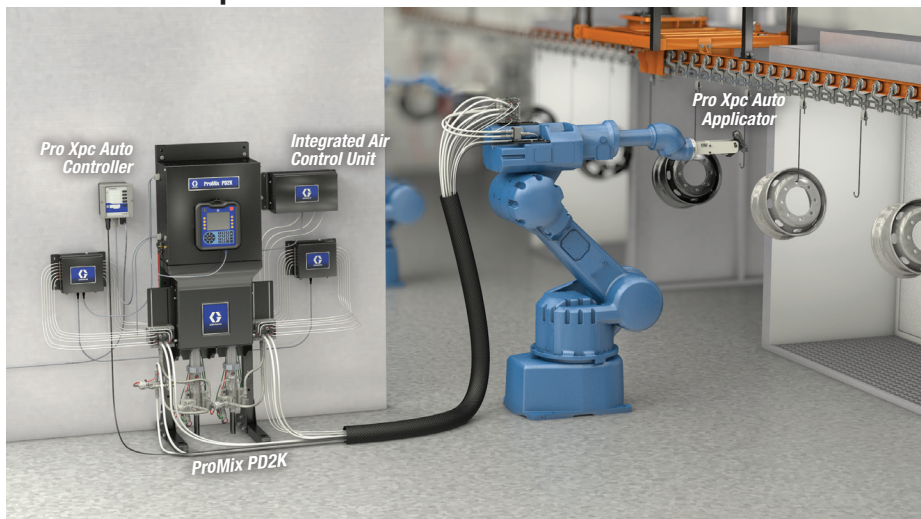
- Improve process control with ability to manage spray gun parameters from your ProMix PD2K
- Control flow rate, fan air, atomizing air, and electrostatics with one easy to use interface
- Simplify integration and reduce PLC programming by using our built in logic
- Easily integrate with robot brush files by using static or dynamic preset spray parameters
- Finishing automation that is simple, safe, and smart.

PROVEN QUALITY. LEADING TECHNOLOGY.

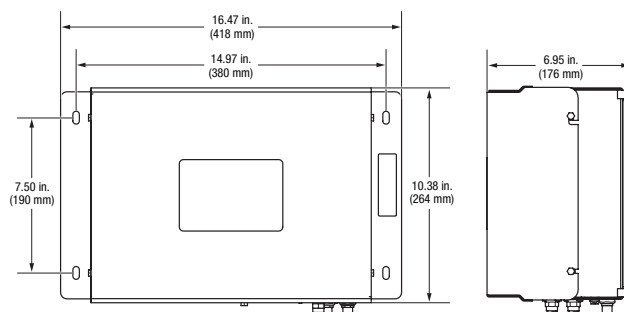
# Better Control. Better Results.

Controlling your automated finishing process has never been simpler. The integrated air control unit has the hardware and software to upgrade PD2K to your one source for automated painting control. Obtain better control and better results with a simple and easy to use solution.

## Automation Setup



## Dimensions:



## Technical Specifications:

Inlet Hose	3/8 in (9.5 mm)
Maximum Air Inlet Pressure	100 psi (7 bar, 0.7 MPa)
Outlet Hose	
Atomizing Air	5/16 in (8 mm)
Fan Air	5/16 in (8 mm)
Gun Trigger	5/32 in (4 mm)
Auxiliary Air 1	5/32 in (4 mm)
Auxiliary Air 2	5/32 in (4 mm)
Auxiliary Air 3	5/32 in (4 mm)
Temperature Range	32-122°F (0-50°C)
Weight	15 lb (6.8 kg)
Manual	3A3465

## Ordering Information:

- 26A123 Integrated Air Control Unit**  
Includes air control box and PD2K software upgrade token.  
\*For use with ProMix PD2K automatic only  
\*Requires 1 CAN cable for non-electrostatic gun installation (not included)  
\*Requires 2 CAN cables for Pro Xpc Auto installation (not included)
- 26A126 Air Control Unit ProMix PD2K Gateway Map Kit**  
Required for non-Modbus TCP Gateway

### CAN Cables

121001	1 meter CAN cable
121003	3 meter CAN cable
121201	6 meter CAN cable

### PD2K Communication Gateway Modules

CGMDNO	Device Net Gateway
CGMEPO	EtherNet/IP Gateway
CGMPNO	PROFINET Gateway

All written and visual data contained in this document are based on the latest product information available at the time of publication. Graco reserves the right to make changes at any time without notice.

Call today for product information or to request a demonstration.  
**800.328.0211** or visit us at [www.graco.com/finishing](http://www.graco.com/finishing)

©2016 Graco Inc. Form No. 345094 Rev. A 03/16 Printed in the U.S.A.  
All other brand names or marks are used for identification purposes and are trademarks of their respective owners.

