

Hot Melt Dispense Guns

311209U

ENG

For dispensing non-flammable hot melt thermoplastic sealants and adhesives.

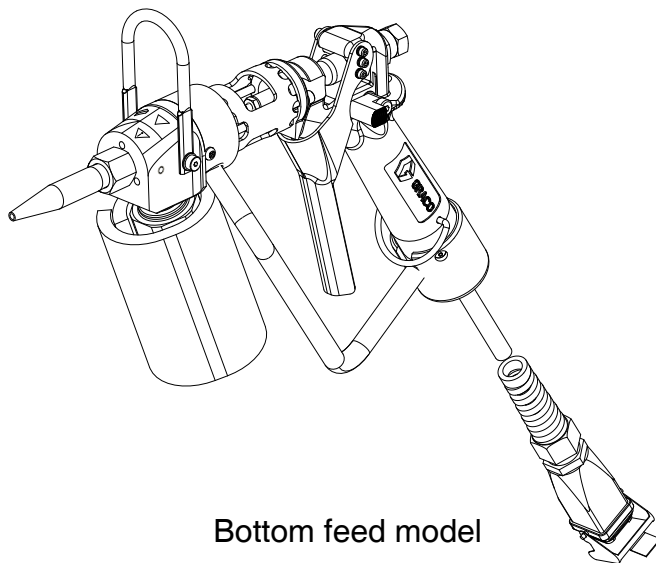
5000 psi (34.5 MPa, 345 bar) Maximum Working Pressure

See page 2 for model information.

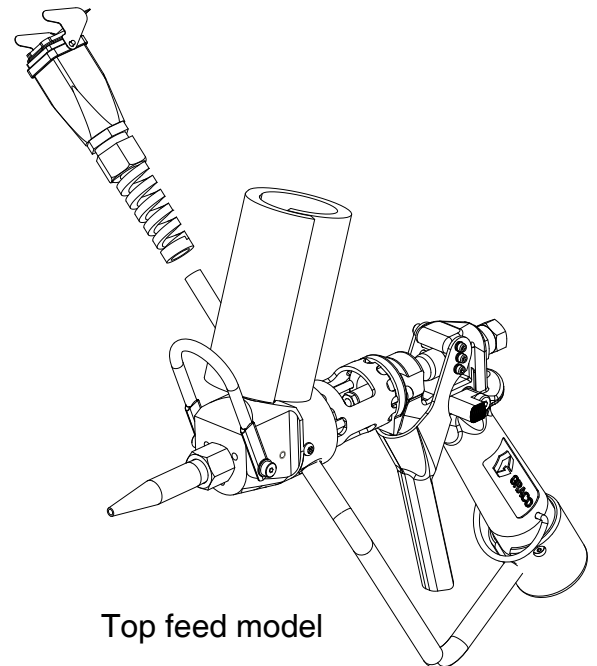


Important Safety Instructions

Read all warnings and instructions in this manual.
Save these instructions.



r_249512_311209_1



r_249512_311209_2



Contents

Models	2	Troubleshooting	10
Warnings	3	Service	11
Installation	5	Install New Heater Cartridge(s), RTD Sensor, or	
Connect Heated Hose	5	Switch	11
Connect Electrical Cable	5	Inspection Frequency	13
Ground the System	6	Adjust Needle Assembly	13
Pressure Relief Procedure	7	Service Valve Stem and Seal	13
Trigger Lock	7	Parts	14
Operation	8	Accessories	18
Heatup	8	Rebuild Kit	18
Dispensing	9	Technical Data	19
Shutdown	9	Graco Standard Warranty	20
		Graco Information	20

Models

Model 249514 Bottom Feed







Model 249512 Bottom Feed with Trigger Switch

Model 249515 Top Feed





Model 249513 Top Feed with Trigger Switch

Warnings

The following warnings are for the setup, use, grounding, maintenance, and repair of this equipment. The exclamation point symbol alerts you to a general warning and the hazard symbol refers to procedure-specific risk. Refer back to these warnings. Additional, product-specific warnings may be found throughout the body of this manual where applicable.

 WARNING	
	<p>BURN HAZARD</p> <p>Equipment surfaces and fluid that's heated can become very hot during operation. To avoid severe burns, do not touch hot fluid or equipment. Wait until equipment/fluid has cooled completely.</p>
	<p>PERSONAL PROTECTIVE EQUIPMENT</p> <p>You must wear appropriate protective equipment when operating, servicing, or when in the operating area of the equipment to help protect you from serious injury, including eye injury, inhalation of toxic fumes, burns, and hearing loss. This equipment includes but is not limited to:</p> <ul style="list-style-type: none"> • Protective eyewear • Clothing and respirator as recommended by the fluid and solvent manufacturer • Gloves • Hearing protection
	<p>ELECTRIC SHOCK HAZARD</p> <p>Improper grounding, setup, or usage of the system can cause electric shock.</p> <ul style="list-style-type: none"> • Turn off and disconnect power cord before servicing equipment. • Use only grounded electrical outlets. • Use only 3-wire extension cords. • Ensure ground prongs are intact on sprayer and extension cords. • Do not expose to rain. Store indoors.
 	<p>SKIN INJECTION HAZARD</p> <p>High-pressure fluid from gun, hose leaks, or ruptured components will pierce skin. This may look like just a cut, but it is a serious injury that can result in amputation. Get immediate surgical treatment.</p> <ul style="list-style-type: none"> • Do not point gun at anyone or at any part of the body. • Do not put your hand over the spray tip. • Do not stop or deflect leaks with your hand, body, glove, or rag. • Engage trigger lock when not spraying. • Follow Pressure Relief Procedure in this manual, when you stop spraying and before cleaning, checking, or servicing equipment.


WARNING

	<p>FIRE AND EXPLOSION HAZARD</p> <p>Flammable fumes, such as solvent and paint fumes, in work area can ignite or explode. To help prevent fire and explosion:</p> <ul style="list-style-type: none"> • Use equipment only in well ventilated area. • Eliminate all ignition sources; such as pilot lights, cigarettes, portable electric lamps, and plastic drop cloths (potential static arc). • Keep work area free of debris, including solvent, rags and gasoline. • Do not plug or unplug power cords, or turn power or light switches on or off when flammable fumes are present. • Ground all equipment in the work area. See Grounding instructions. • Use only grounded hoses. • Hold gun firmly to side of grounded pail when triggering into pail. • If there is static sparking or you feel a shock, stop operation immediately. Do not use equipment until you identify and correct the problem. • Keep a working fire extinguisher in the work area.
	<p>EQUIPMENT MISUSE HAZARD</p> <p>Misuse can cause death or serious injury.</p> <ul style="list-style-type: none"> • Do not operate the unit when fatigued or under the influence of drugs or alcohol. • Do not exceed the maximum working pressure or temperature rating of the lowest rated system component. See Technical Data in all equipment manuals. • Use fluids and solvents that are compatible with equipment wetted parts. See Technical Data in all equipment manuals. Read fluid and solvent manufacturer's warnings. For complete information about your material, request MSDS forms from distributor or retailer. • Check equipment daily. Repair or replace worn or damaged parts immediately with genuine manufacturer's replacement parts only. • Do not alter or modify equipment. • Use equipment only for its intended purpose. Call your distributor for information. • Route hoses and cables away from traffic areas, sharp edges, moving parts, and hot surfaces. • Do not kink or over bend hoses or use hoses to pull equipment. • Keep children and animals away from work area. • Comply with all applicable safety regulations.
	<p>TOXIC FLUID OR FUMES HAZARD</p> <p>Toxic fluids or fumes can cause serious injury or death if splashed in the eyes or on skin, inhaled, or swallowed.</p> <ul style="list-style-type: none"> • Read MSDS's to know the specific hazards of the fluids you are using. • Store hazardous fluid in approved containers, and dispose of it according to applicable guidelines.
	<p>MOVING PARTS HAZARD</p> <p>Moving parts can pinch or amputate fingers and other body parts.</p> <ul style="list-style-type: none"> • Keep clear of moving parts. • Do not operate equipment with protective guards or covers removed. • Pressurized equipment can start without warning. Before checking, moving, or servicing equipment, follow the Pressure Relief Procedure in this manual. Disconnect power or air supply.

Installation

Install gun as follows:

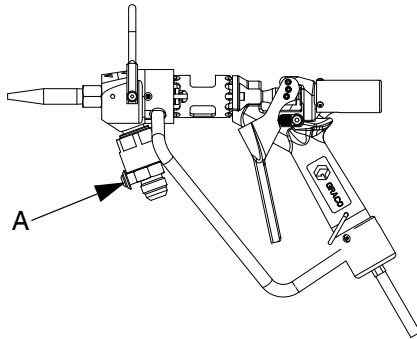
- connect material hose
- connect the electrical cable
- make sure the gun is grounded

Connect Heated Hose

1. Screw adapter onto gun swivel (A) and tighten securely.

Part No.	Adapter	Hose Size
120264	-8 JIC x -10 JIC	-8
--	Not required	-10
120265	-10 JIC x -12 JIC	-12

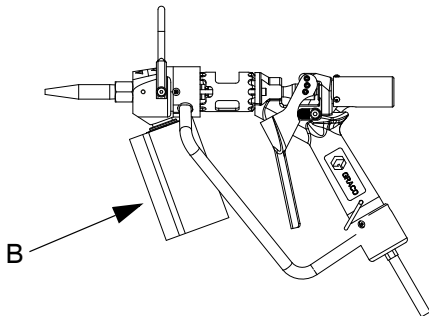
2. Securely connect hose to gun swivel (A).



r_249512_311209_3

FIG. 1: Hose Gun Swivel

3. Wrap connection with insulating cuff (B) (119889).



r_249512_311209_4

FIG. 2: Insulating Cuff

Connect Electrical Cable

1. Wrap hose cable around hose one time. Connect electrical cable from hose to gun cable; engage metal clip on top of connector.



FIG. 3: Connect Electrical Cable, Step 1

2. Place flat side of cable connection against hose, making sure metal clip faces away from hose. This will prevent damage to hose from clip rubbing against it.



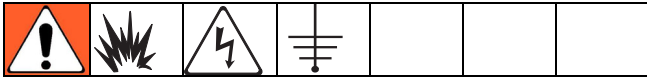
FIG. 4: Connect Electrical Cable, Step 2

3. Fasten Velcro insulation wrap (198422) snugly around hose. Secure wrap with two Velcro straps (198442) on ends of wrap.



FIG. 5: Connect Electrical Cable, Step 3

Ground the System

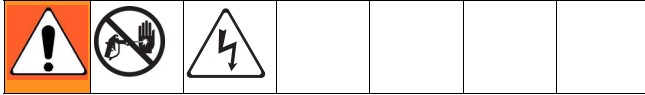


The following grounding instructions are minimum requirements for a basic dispensing system. Your system may include other equipment or objects that must be grounded. Check your local electrical code for detailed grounding instructions for your area and type of equipment. Your system must be connected to a true earth ground.

- **Fluid hoses:** use only grounded fluid hoses with a maximum of 25 feet (7.5 m) combined hose length to ensure grounding continuity. Check electrical resistance of your fluid hoses at least once a week. If your hose does not have a tag on it that specifies the maximum electrical resistance, contact the hose supplier or manufacturer for the maximum resistance limits. If the hose resistance exceeds the recommended limits, replace it immediately.
- **Gun:** the gun is grounded by connecting it to the properly grounded fluid hose and by a ground wire in the cable. Check ground continuity between the gun body and the heat control ground lug at least once a week.
- **Fluid supply container:** ground according to the local code.
- **Flammable liquids in the dispense area:** must be kept in approved, grounded containers. Do not store more than the quantity needed for one shift.
- **All solvent pails used when flushing:** ground according to local code. Use only metal pails, which are conductive. Do not place the pail on a non-conductive surface, such as paper or cardboard, which interrupts the grounding continuity.

To maintain grounding continuity when flushing or relieving pressure: hold a metal part of the gun firmly to the side of a grounded metal pail, then trigger the gun. To reduce the risk of static sparking, ground the pump, object being dispensed to, and all other spraying/dispensing equipment used or located in the spraying/dispensing area. Check your local electrical code for detailed grounding instructions for your area and type of equipment.

Pressure Relief Procedure




1. Fully release gun trigger and engage gun trigger lock. See FIG. 6.
2. Shut off fluid supply pump.
3. Hold a metal part of gun firmly to side of a grounded metal waste container. Disengage gun trigger lock. See FIG. 7. Trigger gun to relieve fluid pressure.
4. Fully release gun trigger and engage gun trigger lock. See FIG. 6.
5. Open pump drain valve to help relieve fluid pressure in pump, hose, and gun. Triggering gun to relieve pressure may not be sufficient. Have a container ready to catch drainage.
6. Leave drain valve open until you are ready to dispense again.
7. If you think the gun nozzle or fluid hose is completely clogged or that pressure has not been fully relieved after following the previous steps, very slowly loosen hose end coupling and relieve pressure gradually, then loosen coupling completely. Clear nozzle or hose obstruction

Trigger Lock

Always engage trigger lock when you stop spraying to prevent gun from being triggered accidentally by hand or if dropped or bumped.

To engage trigger lock, release trigger and rotate lock downward. See FIG. 6.

 Do not try to force trigger valve open with trigger lock engaged. This could result in component failure.

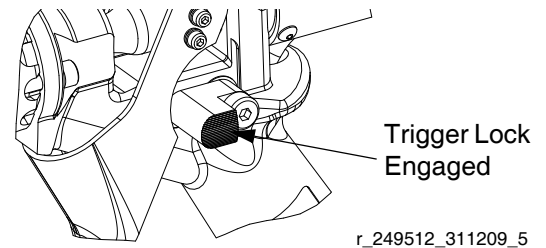


FIG. 6: Trigger Lock Engaged

To disengage trigger lock, rotate it upward. See FIG. 7.

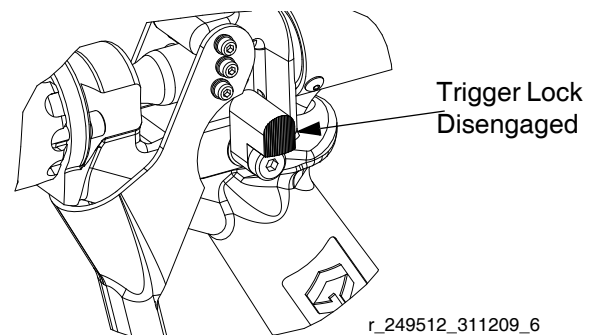




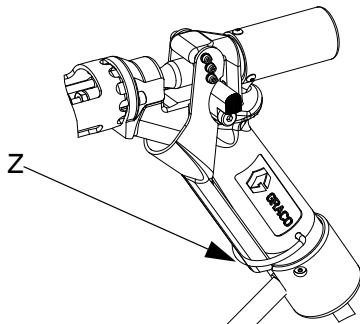
FIG. 7: Trigger Lock Disengaged

Operation

Heatup

						
<p>Heated fluid expands, causing a pressure rise in a closed system.</p> <ul style="list-style-type: none">• Relieve pressure (page 7) before heating up equipment.• Engage trigger retainer to hold gun open, to prevent excessive pressure buildup.						

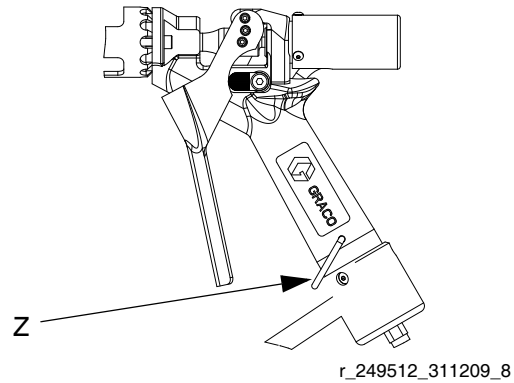
1. Turn ON electrical controls and main air to unit.
2. Lock dispense valve trigger open by pulling and securing trigger using trigger retainer (Z).



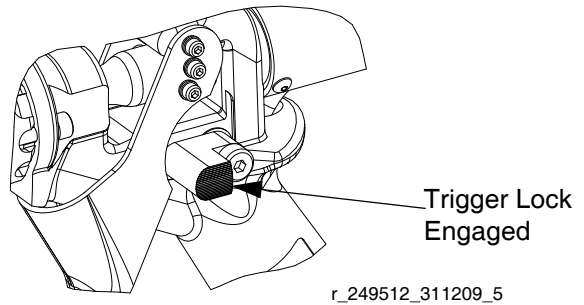
r_249512_311209_7

FIG. 8: Trigger Retainer Locked

4. After pump, hose, and gun are up to temperature, release gun trigger retainer (Z) to close valve. Engage gun trigger lock to prevent accidental dispense of high pressure heated fluid.



r_249512_311209_8



r_249512_311209_5

FIG. 9: Trigger Retainer Unlocked and Trigger Lock Engaged

3. Activate heat controls.

Dispensing

1. Start pump. Fluid flow rate is controlled at pump. Adjust pump pressure to obtain desired flow rate. Use lowest pressure necessary to dispense fluid. The pressure adjustment depends on hose length, fluid viscosity, and nozzle size.
2. Disengage gun trigger lock.

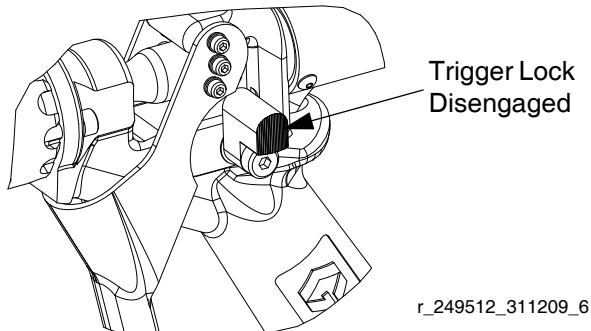


FIG. 10: Trigger Lock Disengaged

3. Squeeze trigger in all the way. Fluid flow begins with the slightest pressure on trigger and stops when trigger is released.

Shutdown

1. Turn off all heat at controller.
2. Shut off fluid supply pump.
3. Trigger gun to relieve pressure while system is still hot.
4. With gun over a waste container, hold trigger open by securing with trigger retainer (Z).

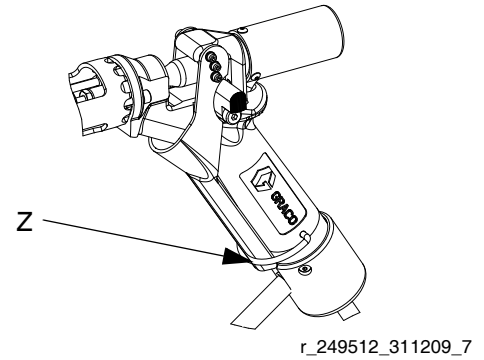
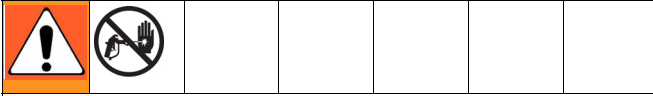


FIG. 11: Trigger Retainer Locked



Troubleshooting



Some solutions require disassembling gun. Always relieve system pressure and disconnect electrical cable before performing these procedures.

Problem	Cause(s)	Solution(s)
Material leaks from front of gun body	Seat or packing is worn Obstruction inside gun Worn needle	Replace seat (6) or packing (47). Remove seat (6). Check and replace if necessary. Check and replace needle (4a) if necessary.
Material leaks from back of gun body	Needle seal or packing is worn	Replace seals (4c) or packing (4d).
Gun does not shut off	Needle or seat is worn Spring is broken or not installed correctly Obstruction inside gun	Replace needle (4a) or seat (6). Check and replace spring (14) if necessary. Remove seat (6). Check and replace if necessary.
Gun does not heat material	Loose heater wires Loose sensor wires Heater cartridge failed Sensor failed Temperature controller failed No power to heating circuitry	Check and reconnect wire connections. Check and reconnect wire connections. Replace failed heater. Replace failed sensor. Refer to Therm-O-Flow [®] 200 manual 311208 as appropriate.

Service

						
---	---	--	--	--	--	--

After adjusting or servicing gun, ensure that fluid will not trigger on when trigger lock is engaged. If fluid does flow, gun is not assembled correctly or trigger lock is damaged. Reassemble gun or return it to your nearest Graco distributor. Do not use gun until the problem is corrected.

- If fluid continues to flow after trigger is released:
 - gun valve may need adjustment,
 - gun valve may be obstructed or damaged,
 - needle assembly (4) or seat (6) may be worn or damaged.

Replace needle assembly (4) or seat (6) as instructed on page 13.
- Use Repair Kit 253553 for Manual Hot-Melt Guns 249512, 249513, 249514, 249515, 297273, and 297274.

Install New Heater Cartridge(s), RTD Sensor, or Switch

- Remove covers (9 and 16).
- Pull terminal blocks (36) and insulation displacement connectors (IDC) (38) out of handle. Loosen the screw in the terminal block or cut off the IDC to disconnect lead wires of failed components.
- Gently slide new heater(s) or sensor into appropriate hole.
- Feed new wires through conduit to the correct terminal block or IDC. If using a terminal block, cut wires to length and strip insulation before connecting.

If using an IDC, insert one new RTD wire and one yellow wire through the IDC holes until the ends can be seen in the window on the opposite side. Use pliers to press down insert, then close the IDC cover.

When replacing switch (51) ensure tube (53) protrudes from the back of the handle with its end near the center of the switch body. Gently push wires through the tube into the gun handle. See FIG. 12.

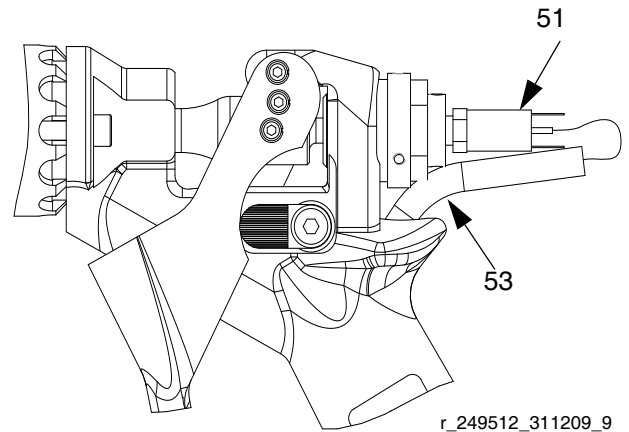
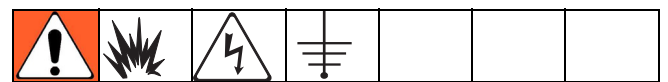


FIG. 12



- Replace covers (9 and 16).

6. See FIG. 13. Use an ohm meter to check:
 - a. Heater pins 1 to 2, $445 \Omega \pm 35 \Omega$.
 - b. RTD sensor pin 3 to 4, $108 \Omega \pm 1 \Omega$ at 70°F (21°C).
 - c. Continuity to gun body from pin 8.
 - d. No continuity from pins 1-7 to gun body or connector shell, or ground pin 8.

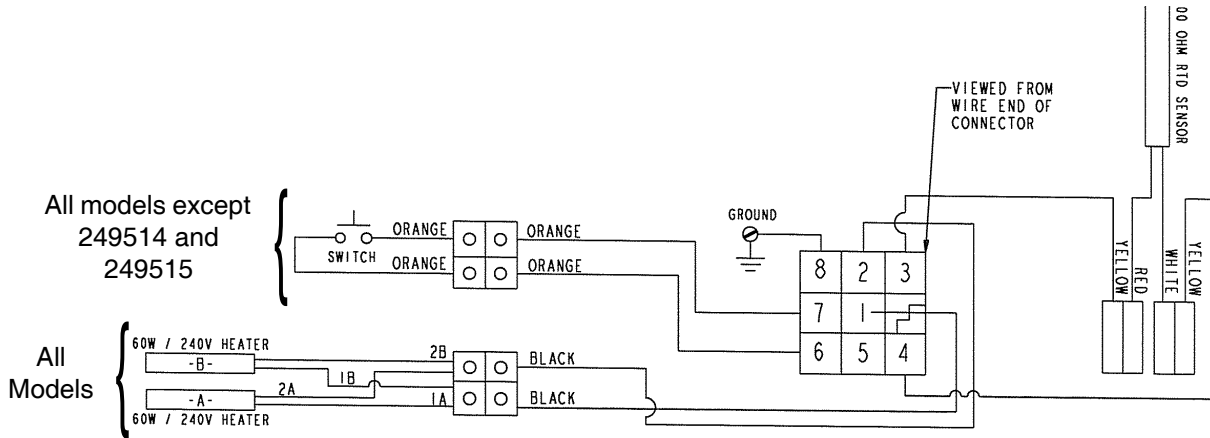


FIG. 13: 8 Pin, 240 Volt Shown

Inspection Frequency

Dispense Valve

Inspect dispense valve at every use for leakage or other visible damage.

Heater

Every two weeks, check heater for proper resistance. Resistance should be approximately 890 ohms, +/- 70 ohms for the 240V valves. Replace heater if necessary.

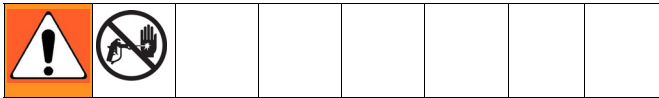
Also inspect heater when performing regular maintenance procedures.

Sensor

Every two weeks, check sensor resistance. Resistance should be 108 ohms at 70° F (21° C). Replace sensor if necessary.

Also inspect sensor when performing regular maintenance procedures.

Adjust Needle Assembly

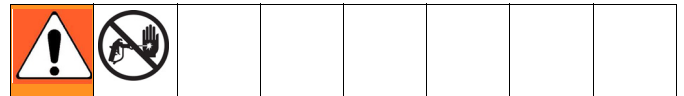


The trigger travel and corresponding valve opening are factory set. To adjust this setting, use the following procedure.

1. Relieve pressure in system.
2. Disconnect gun from hose.
3. Use 11/32 in. wrench to loosen hex nut (4g).

4. Trigger gun and use a 1/8 in. open-end wrench on flats of needle to turn needle (4a) clockwise one turn as viewed from handle end of gun.
5. Release trigger; a slight free play of the trigger handle should occur.
6. Repeat Step 4 until free play occurs.
7. Tighten hex nut (4g) to lock the adjustment.

Service Valve Stem and Seal

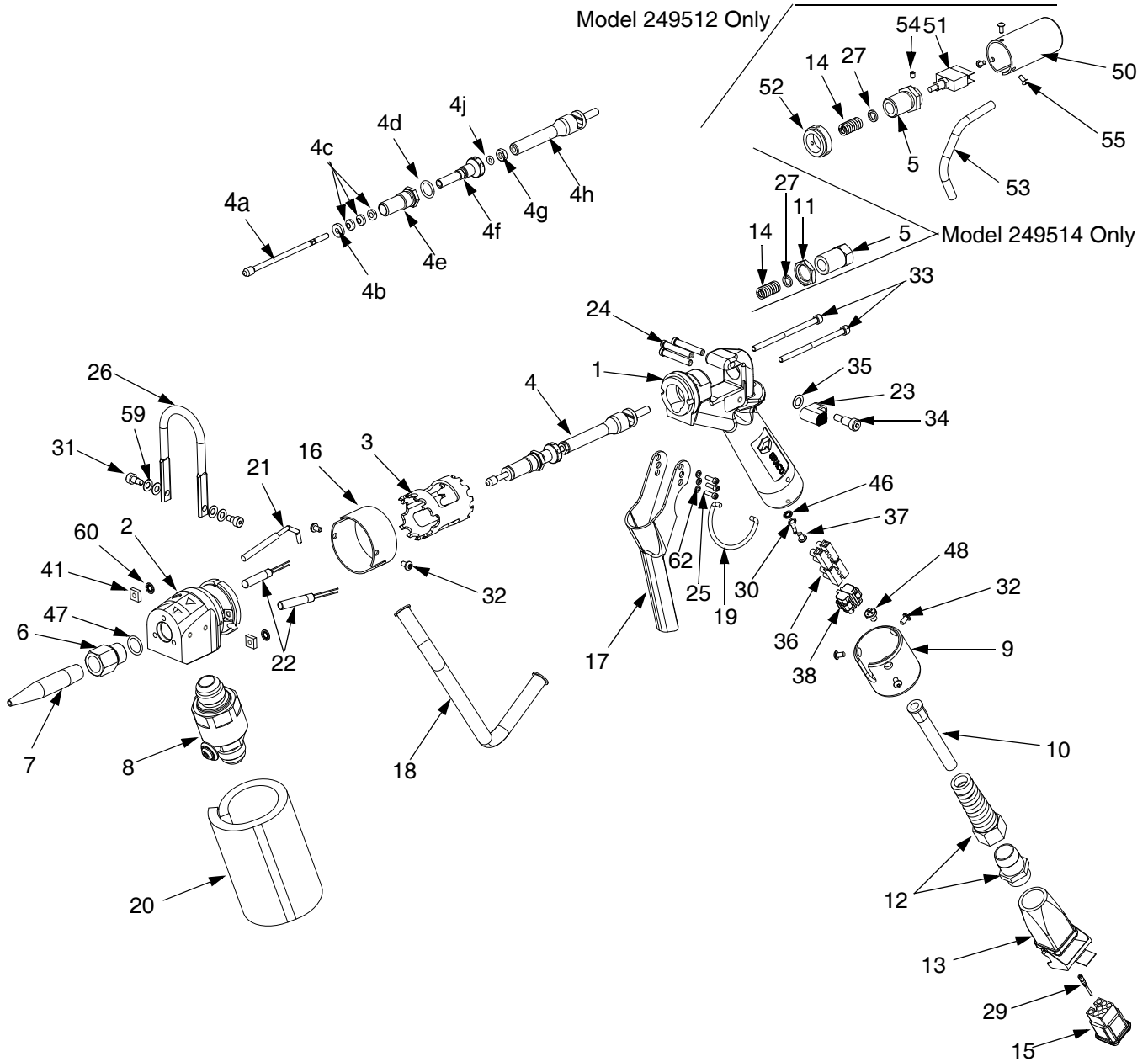


If fluid leaks past seal (4c), the seal or needle (4a) may be worn or damaged. To replace seal or valve stem, use the following procedure.

1. Relieve pressure in system.
2. Disconnect gun from hose.
3. Remove cover (16), and then slide heater cartridge and sensor cartridge out of body (2).
4. Loosen needle nut.
5. Remove screws (33).
6. Unscrew needle with body from yoke.
7. Remove seal-cartridge assembly from body and replace seals and/or needle. Repack grease area of packing nut prior to reassembly.
8. Reassemble in reverse order and follow **Adjust Needle Assembly**, page 13.

Parts

Models 249514 and 249512, Hot Melt Guns



r_249512_311209_10

FIG. 14: Models 249514 and 249512, Hot Melt Guns

Model 249514
Manual Hot Melt Gun, Bottom Feed, Extrude,
No Switch

Model 249512
Manual Hot Melt Gun, Bottom Feed, Extrude, with
Switch

Ref. No.	Part No.	Description	Qty
1	15G017	HANDLE	1
2	---	BODY, gun	1
3	15G006	SPACER, thermal, isolator	1
4◆	287734	NEEDLE, assy, includes 4a-4j	1
4a	15G531	NEEDLE	1
4b	C27053	SUPPORT, packing	1
4c*	C27060	SEAL, needle	3
4d*	103338	PACKING, o-ring	1
4e	15F993	NUT, packing	1
4f	15F991	SCREW, adjustment	1
4g	C19284	NUT, hex	1
4h	15F997	YOKE, gun	1
4j*	106560	PACKING, o-ring	1
5		RETAINER, spring	
	C27037	Model 249514	1
	15G004	Model 249512	1
6◆	15G001	ADAPTER, seat	1
7	C32003	NOZZLE	1
8	---	SWIVEL, assy (inline with stop)	1
9	15G018	COVER, gun handle	1
10	119876	CONDUIT, flex	1
11†	C27036	NUT, lock	1
12	116673	BUSHING, strain relief	1
13	116637	CONNECTOR, cable coupler hood	1
14	C00020	SPRING	1
15	115860	INSERT, male	1
16	15F989	COVER, gun wires	1
17	C27051	TRIGGER, gun	1
18	15G022	TUBE	1
19	C32368	RING	1
20	119889	COVER, swivel	1
21	C32255	SENSOR, temperature	1
22	17K470	CARTRIDGE, heater	2
23	C34009	TRIGGER, lock	1
24	15X116	PIN, trigger	3
25	C19950	SCREW, Cap	3
26	15G020	HANGER	1
27	15G121	WASHER, gun	1
28*	065337	WIRE, copper, electric	1
29	115862	CONNECTOR, male, crimp	
		Model 249514	1
		Model 249512	1

Ref. No.	Part No.	Description	Qty
30	C78160	TERMINAL	1
31	122340	SCREW, shoulder, socket hd.	2
32	122337	SCREW, cap, socket button hd.	5
33	124779	SCREW, cap, socket hd.	2
34	108483	SCREW, shoulder	1
35	C20565	WASHER, spring washer	1
36	15X093	BLOCK, terminal	2
37	102975	SCREW, 6-32 x .25	1
38	122341	CONNECTOR, pigtail, IDC	2
39‡*	C07535	TUBE, heat shrink	1
40*	C34137	INSULATOR, fiberglass	1
41	122433	NUT, square	2
42*	065366	WIRE, silver-coated copper	1
43*	C33049	TAPE, adhesive, fiberglass	1
44*	198422	COVER, protective	1
45*	198442	STRAP, retaining mix manifold	2
46	100272	WASHER, #6, internal lock	1
47*◆	103610	PACKING, o-ring	1
48	116807	SCREW, 10-24 x .25	1
49*	617836	SLEEVE, fiberglass braid, #10 blk	2
50‡	15G003	COVER, switch	1
51‡	C32370	SWITCH	1
52‡	15G019	SPACER, cover mounting	1
53‡	122335	TUBE, 1/4 O.D.	1
54‡	102273	SCREW, set, 6-32 x .19	1
55‡	122338	SCREW, cap, socket button hd.	3
57*‡	065379	WIRE, silver-coated copper, orange	1
58*	065380	WIRE, silver-coated copper, yellow	1
59	122339	WASHER, Belleville	4
60	157021	WASHER, lock	2
61*	070269	SEALANT, anaerobic	AR
62	C19208	WASHER, lock	3
63*	101369	WRENCH, allen	1
64		CONNECTOR, male, crimp	
		116640 Model 249514	4
		116640 Model 249512	6

* Parts included in Seal Kit 253553
(purchase separately).

◆ Parts included in Repair Kit 289901
(purchase separately).

† Model 249514 only.

‡ Model 249512 only.

* Not shown.

Models 249515 and 249513, Hot Melt Guns

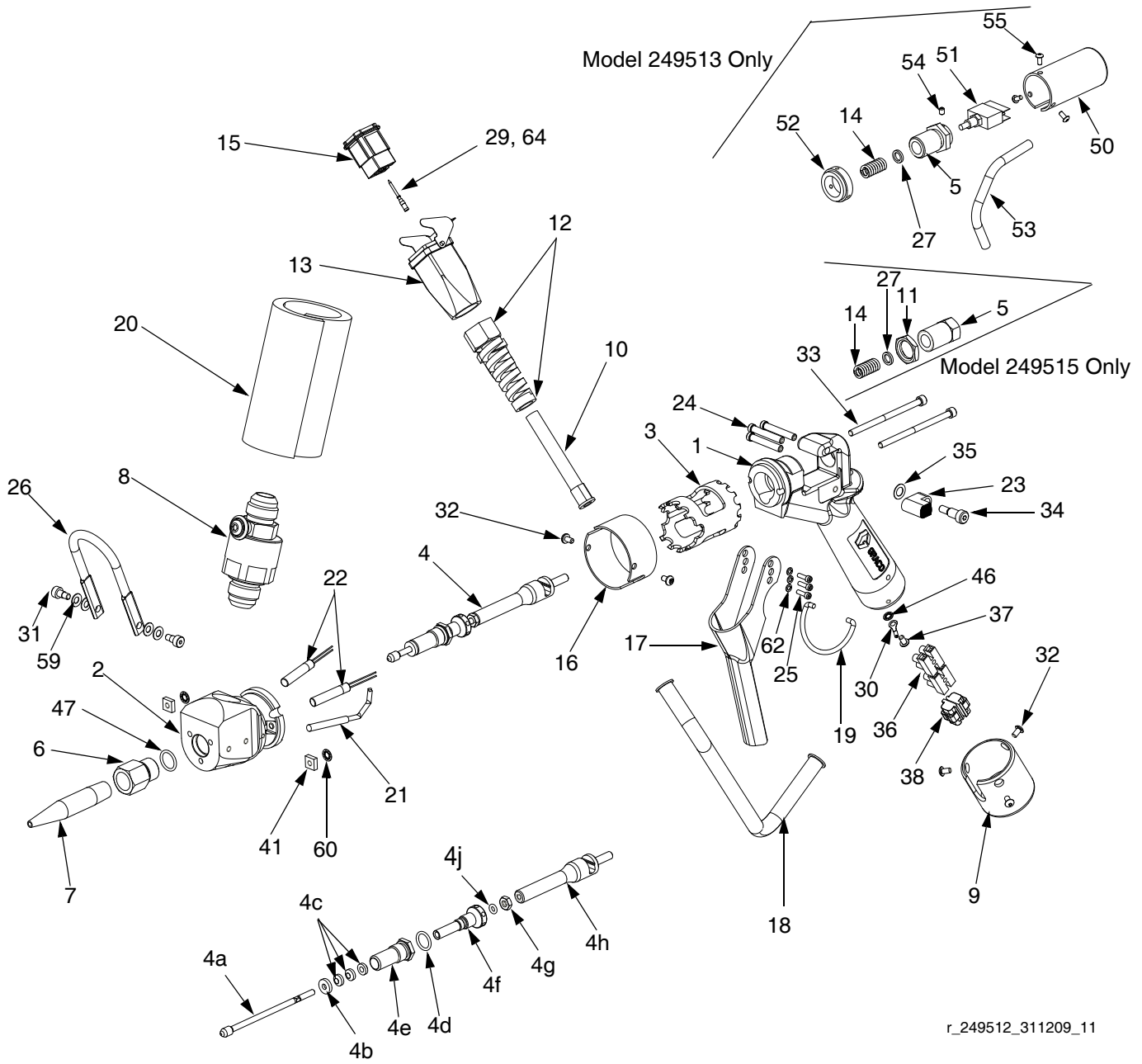


FIG. 15: Models 249515 and 249513, Hot Melt Guns

Model 249515**Manual Hot Melt Gun, Top Feed, Extrude, No Switch****Model 249513****Manual Hot Melt Gun, Top Feed, Extrude,
with Switch**

Ref. No.	Part No.	Description	Qty.	Ref. No.	Part No.	Description	Qty.
1	15G017	HANDLE	1	30	C78160	TERMINAL	1
2	---	BODY, gun	1	31	122340	SCREW, shoulder, socket hd.	2
3	15G006	SPACER, thermal, isolator	1	32	122337	SCREW, cap, socket button hd.	5
4◆	287734	NEEDLE, assy, includes 4a-4j	1	33	124779	SCREW, cap, socket hd.	2
4a	15G531	NEEDLE	1	34	108483	SCREW, shoulder	1
4b	C27053	SUPPORT, packing	1	35	C20565	WASHER, spring washer	1
4c*	C27060	SEAL, needle	3	36	15X093	BLOCK, terminal	2
4d*	103338	PACKING, o-ring	1	37	102975	SCREW, 6-32 x .25	1
4e	15F993	NUT, packing	1	38	122341	CONNECTOR, pigtail, IDC	2
4f	15F991	SCREW, adjustment	1	39‡*	C07535	TUBE, heat shrink	1
4g	C19284	NUT, hex	1	40*	C34137	INSULATOR, fiberglass	1
4h	15F997	YOKE, gun	1	41	122433	NUT, square	2
4j*	106560	PACKING, o-ring	1	42*	065366	WIRE, silver-coated copper	1
5		RETAINER, spring	1	43*	C33049	TAPE, adhesive, fiberglass	1
	C27037	Model 249515		44*	198422	COVER, protective	1
	15G004	Model 249513		45*	198442	STRAP, retaining mix manifold	2
6◆	15G001	ADAPTER, seat	1	46	100272	WASHER, #6 internal lock	1
7	C32003	NOZZLE	1	47*◆	103610	PACKING, o-ring	1
8	---	SWIVEL, assy (inline with stop)	1	49*	617836	SLEEVE, fiberglass braid, #10 blk	2
9	15G018	COVER, gun handle	1	50‡	15G003	COVER, switch	1
10	119876	CONDUIT, flex	1	51‡	C32370	SWITCH	1
11†	C27036	NUT, lock	1	52‡	15G019	SPACER, cover mounting	1
12	116673	BUSHING, strain relief	1	53‡	122335	TUBE, 1/4 O.D.	1
13	116637	CONNECTOR, cable coupler hood	1	54‡	102273	SCREW, 6-32 x .19	1
14	C00020	SPRING	1	55‡	122338	SCREW, cap, socket button hd.	3
15	115860	INSERT, male	1	56*	065379	WIRE, silver-coated copper, orange	1
16	15F989	COVER, gun wires	1	57*	065380	WIRE, silver-coated copper, yellow	1
17	C27051	TRIGGER, gun	1	59	122339	WASHER, Belleville	4
18	15G022	TUBE	1	60	157021	WASHER, lock	2
19	C32368	RING	1	61*	070269	SEALANT, anaerobic	AR
20	119889	COVER, swivel	1	62	C19208	WASHER, lock	3
21	C32255	SENSOR, temperature	1	63*	101369	WRENCH, allen	1
22	17K470	CARTRIDGE, heater	2	64		CONNECTOR, male, crimp	
23	C34009	TRIGGER, lock	1		116640	Model 249515	4
24	15X116	PIN, trigger	3		116640	Model 249513	6
25	C19950	SCREW, cap	3				
26	15G020	HANGER	1				
27	15G121	WASHER, gun	1				
28*	065337	WIRE, copper, electric	1				
29	115862	CONNECTOR, male, crimp					
		Model 249515	1				
		Model 249513	1				

* Parts included in Seal Kit 253553
(purchase separately).

◆ Parts included in Repair Kit 289901
(purchase separately).

† Model 249515 only.

‡ Model 249513 only.

* Not shown.

Accessories

Part No.	Description
C34137	Fitting insulation, 1/8 in. thick x 2 in. wide. Sold by the foot.
C33049	Adhesive tape, high temp for securing insulation (C34137), 1 in. x 108 ft.
198422	Wrap, velcro, 10 in. x 10 in. Covers electrical connection on heated hose.
198442	Strap, velcro. Use two around ends of wrap (198422) for security.

Rebuild Kit

Part No.	Description
15X385	Gun body repair kit.

Technical Data

Maximum operating temperature	400°F (204°C)
Maximum fluid working pressure	5000 psi (34.5 MPa, 345 bar)
Outlet port size	5/8-18 UNF-2B
Inlet port size on gun housing	7/8-14 UNF- 2B
Inlet port size on fluid swivel	7/8-14 JIC(m)
Voltage	230/240 Vac
Wattage	120 W
Resistance temperature detector (platinum RTD; 0.00385 ohm/ohm/°C)	108.2 ohms @ 70°F
Heater resistance	<i>individually:</i> 890 ohms, +/- 70 ohms <i>wired in parallel:</i> 445 ohms, +/- 35ohms
Weight	<i>without swivel:</i> 2.7 lb (1.2 kg) <i>with swivel:</i> 3.4 lb (1.5 kg)
Dimensions	<i>Height:</i> 7.5 in. (191 mm) <i>Width:</i> 3.0 in. (76 mm) <i>Length:</i> <i>Models 249514 and 249515:</i> 9.0 in. (229 mm) <i>Models 249512 and 249513:</i> 10.5 in. (267 mm)
Wetted parts	<i>Aluminum, fluorocarbon rubber, stainless steel, PTFE, carbon steel, brass</i>

Graco Standard Warranty

Graco warrants all equipment referenced in this document which is manufactured by Graco and bearing its name to be free from defects in material and workmanship on the date of sale to the original purchaser for use. With the exception of any special, extended, or limited warranty published by Graco, Graco will, for a period of twelve months from the date of sale, repair or replace any part of the equipment determined by Graco to be defective. This warranty applies only when the equipment is installed, operated and maintained in accordance with Graco's written recommendations.

This warranty does not cover, and Graco shall not be liable for general wear and tear, or any malfunction, damage or wear caused by faulty installation, misapplication, abrasion, corrosion, inadequate or improper maintenance, negligence, accident, tampering, or substitution of non-Graco component parts. Nor shall Graco be liable for malfunction, damage or wear caused by the incompatibility of Graco equipment with structures, accessories, equipment or materials not supplied by Graco, or the improper design, manufacture, installation, operation or maintenance of structures, accessories, equipment or materials not supplied by Graco.

This warranty is conditioned upon the prepaid return of the equipment claimed to be defective to an authorized Graco distributor for verification of the claimed defect. If the claimed defect is verified, Graco will repair or replace free of charge any defective parts. The equipment will be returned to the original purchaser transportation prepaid. If inspection of the equipment does not disclose any defect in material or workmanship, repairs will be made at a reasonable charge, which charges may include the costs of parts, labor, and transportation.

THIS WARRANTY IS EXCLUSIVE, AND IS IN LIEU OF ANY OTHER WARRANTIES, EXPRESS OR IMPLIED, INCLUDING BUT NOT LIMITED TO WARRANTY OF MERCHANTABILITY OR WARRANTY OF FITNESS FOR A PARTICULAR PURPOSE.

Graco's sole obligation and buyer's sole remedy for any breach of warranty shall be as set forth above. The buyer agrees that no other remedy (including, but not limited to, incidental or consequential damages for lost profits, lost sales, injury to person or property, or any other incidental or consequential loss) shall be available. Any action for breach of warranty must be brought within two (2) years of the date of sale.

GRACO MAKES NO WARRANTY, AND DISCLAIMS ALL IMPLIED WARRANTIES OF MERCHANTABILITY AND FITNESS FOR A PARTICULAR PURPOSE, IN CONNECTION WITH ACCESSORIES, EQUIPMENT, MATERIALS OR COMPONENTS SOLD BUT NOT MANUFACTURED BY GRACO. These items sold, but not manufactured by Graco (such as electric motors, switches, hose, etc.), are subject to the warranty, if any, of their manufacturer. Graco will provide purchaser with reasonable assistance in making any claim for breach of these warranties.

In no event will Graco be liable for indirect, incidental, special or consequential damages resulting from Graco supplying equipment hereunder, or the furnishing, performance, or use of any products or other goods sold hereto, whether due to a breach of contract, breach of warranty, the negligence of Graco, or otherwise.

FOR GRACO CANADA CUSTOMERS

The Parties acknowledge that they have required that the present document, as well as all documents, notices and legal proceedings entered into, given or instituted pursuant hereto or relating directly or indirectly hereto, be drawn up in English. Les parties reconnaissent avoir convenu que la rédaction du présente document sera en Anglais, ainsi que tous documents, avis et procédures judiciaires exécutés, donnés ou intentés, à la suite de ou en rapport, directement ou indirectement, avec les procédures concernées.

Graco Information

For the latest information about Graco products, visit www.graco.com.

For patent information, see www.graco.com/patents.

TO PLACE AN ORDER, contact your Graco distributor or call to identify the nearest distributor.

Phone: 612-623-6921 or Toll Free: 1-800-328-0211 Fax: 612-378-3505

All written and visual data contained in this document reflects the latest product information available at the time of publication. Graco reserves the right to make changes at any time without notice.

Original instructions. This manual contains English. MM 311209

Graco Headquarters: Minneapolis

International Offices: Belgium, China, Japan, Korea

GRACO INC. AND SUBSIDIARIES • P.O. BOX 1441 • MINNEAPOLIS MN 55440-1441 • USA

Copyright 2006, Graco Inc. All Graco manufacturing locations are registered to ISO 9001.

www.graco.com

Revision U, September 2017