

## Power Caulk™ Air Powered Caulking Gun

309162B

Graco Power Caulk™ guns are made with heavy duty, all metal construction. They use on-demand, regulated air power to provide fast, consistent, and smooth application of adhesives and sealants. Regulated air pressure dispenses in a smooth, even bead. These guns feature an instant exhaust valve to prevent dripping or stringing when the trigger is released.

### **Model C27098** 100 psi (0.7 MPa, 7 bar) Maximum Working Pressure

This gun accommodates a 10-oz. (.3 l.). plastic or fiber cartridge. A bayonet lock makes for fast and easy attachment of the cartridge. A lightweight cast aluminum handle gives you variable dispense rates depending on air pressure or trigger position.

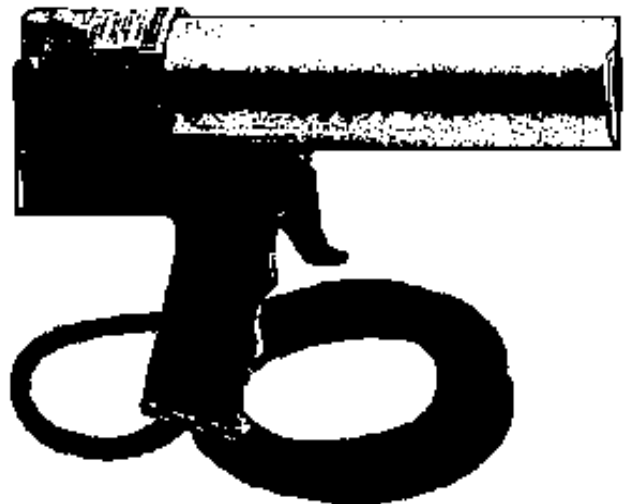


#### **Important Safety Instructions**

Read all warnings and instructions in this manual.  
Save these instructions.

## Table of Contents

Symbols .....	2
Warnings .....	2
Installation .....	4
Parts .....	5
Technical Data .....	5
Warranty .....	6



# Symbols

## Warning Symbol



This symbol alerts you to the possibility of serious injury or death if you do not follow the instructions.

## Caution Symbol



This symbol alerts you to the possibility of damage to or destruction of equipment if you do not follow the instructions.

## WARNING



### EQUIPMENT MISUSE HAZARD

Equipment misuse can cause the equipment to rupture or malfunction and result in serious injury.

- This equipment is for professional use only.
- Read all instruction manuals, tags, and labels before operating the equipment.
- Use the equipment only for its intended purpose. If you are uncertain about usage, call your Graco distributor.
- Do not alter or modify this equipment. Use only genuine Graco parts and accessories.
- Check equipment daily. Repair or replace worn or damaged parts immediately.
- Do not exceed the maximum working pressure of the lowest rated system component. Refer to the **Technical Data** on page 5 for the maximum working pressure of this equipment.
- Use fluids and solvents which are compatible with the equipment wetted parts. Refer to the **Technical Data** section of all equipment manuals. Read the fluid and solvent manufacturer's warnings.
- Route hoses away from traffic areas, sharp edges, moving parts, and hot surfaces. Do not expose Graco hoses to temperatures above 180°F (82°C) or below 0°F (-18°C).
- Wear hearing protection when operating this equipment.
- Do not lift pressurized equipment.
- Comply with all applicable local, state, and national fire, electrical, and safety regulations.
- Keep hands and clothing away from any moving parts.

# WARNING



## SKIN INJECTION HAZARD

Spray from the gun, hose leaks, or ruptured components can inject fluid into your body and cause extremely serious injury, including the need for amputation. Fluid splashed in the eyes or on the skin can also cause serious injury.



- Fluid injected into the skin might look like just a cut, but it is a serious injury. **Get immediate medical attention.**
- Do not point the gun at anyone or at any part of the body.
- Do not put your hand or fingers over the dispense tip.
- Do not stop or deflect leaks with your hand, body, glove or rag.
- Tighten all connections before operating the equipment.
- Check the hoses, tubes, and couplings daily. Replace worn, damaged, or loose parts immediately. Permanently coupled hoses cannot be repaired; replace the entire hose.
- Use only Graco approved hoses. Do not remove any spring guard that is used to help protect the hose from rupture caused by kinks or bends near the couplings.



## FIRE AND EXPLOSION HAZARD



- If there is any static sparking or you feel an electric shock while using this equipment, **stop dispensing immediately.** Do not use the equipment until you identify and correct the problem.
- Keep the dispensing area free of debris, including solvent, rags, and gasoline.
- Electrically disconnect all equipment in the dispensing area.
- Extinguish all open flames or pilot lights in the dispensing area.
- Do not smoke in the dispensing area.
- Do not turn on or off any light switch in the dispensing area while operating or if fumes are present.
- Do not operate a gasoline engine in the dispensing area.



## TOXIC MATERIAL HAZARD

Hazardous material or toxic fumes can cause serious injury or death if splashed in the eyes or on the skin, inhaled, or swallowed.

- Know the specific hazards of the product you are using.
- Store hazardous material in an approved container. Dispose of hazardous material according to all local, state and national guidelines.
- Always wear protective eyewear, gloves, clothing and respirator as recommended by the material manufacturer.

# Installation

## General Information

**NOTE:** Reference numbers and letters in parentheses in the text refer to the callouts in the figures and the parts drawing.

**NOTE:** Always use Genuine Graco Parts and Accessories, available from your Graco distributor. If you supply your own accessories, be sure they are adequately sized and pressure-rated for your system.

### **WARNING**

To reduce the risk of bodily injury and property damage, *stop using the gun* if the bayonet lock on the gun handle is worn or damaged and prevents the barrel from locking securely into position.

## Installation

1. Insert a cartridge in the barrel. To ensure a good seal, verify that the plunger end of the cartridge is not torn. See **Removing the barrel** and **Installing the barrel** elsewhere on this page.
2. Cut the cartridge nozzle tip to the desired opening size. Cut the tip squarely rather than at an angle. Puncture the inner seal of the cartridge.
3. Connect an air line to the 1/4" npt air hose fitting. use an adjustable regulator to provide maximum application control.
4. Adjust the air pressure to 10 to 15 psi (about 1 bar). Pull the trigger to start flow. Adjust air pressure to help control the flow rate. The flow rate can also be controlled through the trigger. When partially triggered, air bypasses the valve (leaking of air) and reduces the flow rate. When fully triggered, no air escapes. Do not use more air pressure than necessary to develop a good application rate and solid bead.

5. Practice applying a bead on scrap material. Hold the gun at a slight angle from the point of application to produce a smooth, flat-tooled bead. Too great an angle produces a round-tooled bead.
6. If the caulking compound continues to flow when the trigger is released, disconnect the air line. Remove the barrel (see **Removing the barrel**) and check the plunger in the cartridge. Air will bypass a stuck plunger. To free the plunger from the wall of the cartridge, push the plunger forward manually.

### **CAUTION**

To extend the life of the bayonet lock, follow the barrel installation and removal procedures carefully.

## Removing the barrel

To remove the barrel from the hand grip, push the barrel straight back and fully into the gun handle. Continue pushing the barrel back while rotating the gun barrel out of the bayonet lock and sliding it out of the gun handle.

## Installing the barrel

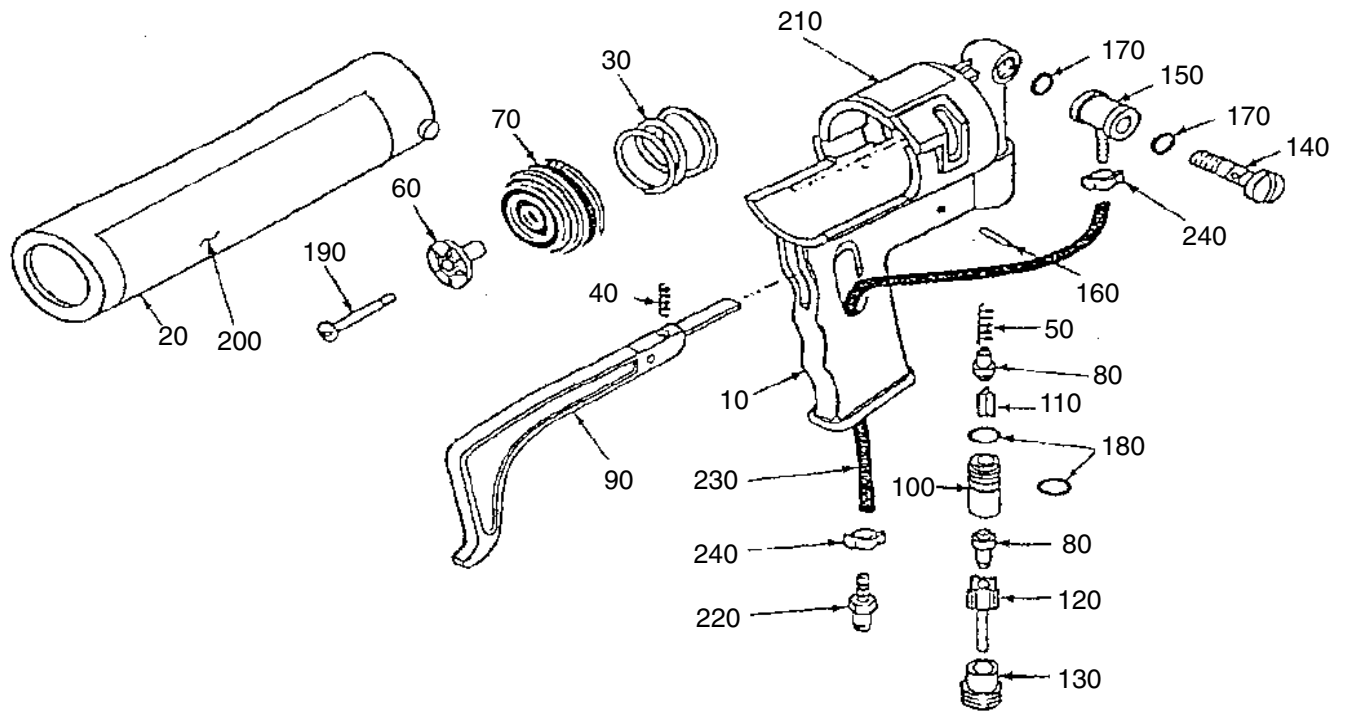
Place the barrel in the handle grip by pushing the barrel straight back and fully into the gun handle. Continue pushing the barrel back while rotating the barrel into the bayonet lock, which locks the barrel into the gun handle.

## Repair

A spring/seal repair kit, P/N C27100, and a replacement hose assembly, P/NC27106 are available. No other parts are sold separately. See the Parts drawing on page .

# Parts

Model C27098



Ref No.	Description	Qty	Ref No.	Description	Qty
10	GRIP	1	140	BOLT, swivel	1
20	BARREL	1	150	FITTING, banjo	1
*30	SPRING, seal	1	160	PIN, spring	1
40	SPRING, trigger	1	170	O-RING	2
50	SPRING, poppet	1	180	O-RING	2
*60	RETAINER, spring	1	*190	SCREW, #10-32 x 1 in. round head	1
*70	SEAL	1	200	LABEL, barrel	1
80	POPPET	2	210	LABEL	1
90	TRIGGER	1	220	FITTING, barb	1
100	SEAT	1	230	HOSE, air, 10 ft (3m)	1
110	PLUNGER	1	240	O-CLAMP	2
120	STEM	1			
130	RETAINER	1			

\*Supplied in seal repair kit C27100

## Technical Data

Gun Model	Size	Cartridge	Max. Working Pressure	Construction	Air Inlet	Air Hose
C27098 Power Caulk™ Gun	1/10th gallon	10 oz. (.3 l.)	100 psi (0.7 MPa, 7 bar)	Aluminum	1/4 npt(m)	10 ft (3 m)

# Graco Standard Warranty

Graco warrants all equipment manufactured by Graco and bearing its name to be free from defects in material and workmanship on the date of sale by an authorized Graco distributor to the original purchaser for use. With the exception of any special, extended, or limited warranty published by Graco, Graco will, for a period of twelve months from the date of sale, repair or replace any part of the equipment determined by Graco to be defective. This warranty applies only when the equipment is installed, operated and maintained in accordance with Graco's written recommendations.

This warranty does not cover, and Graco shall not be liable for general wear and tear, or any malfunction, damage or wear caused by faulty installation, misapplication, abrasion, corrosion, inadequate or improper maintenance, negligence, accident, tampering, or substitution of non-Graco component parts. Nor shall Graco be liable for malfunction, damage or wear caused by the incompatibility of Graco equipment with structures, accessories, equipment or materials not supplied by Graco, or the improper design, manufacture, installation, operation or maintenance of structures, accessories, equipment or materials not supplied by Graco.

This warranty is conditioned upon the prepaid return of the equipment claimed to be defective to an authorized Graco distributor for verification of the claimed defect. If the claimed defect is verified, Graco will repair or replace free of charge any defective parts. The equipment will be returned to the original purchaser transportation prepaid. If inspection of the equipment does not disclose any defect in material or workmanship, repairs will be made at a reasonable charge, which charges may include the costs of parts, labor, and transportation.

**THIS WARRANTY IS EXCLUSIVE, AND IS IN LIEU OF ANY OTHER WARRANTIES, EXPRESS OR IMPLIED, INCLUDING BUT NOT LIMITED TO WARRANTY OF MERCHANTABILITY OR WARRANTY OF FITNESS FOR A PARTICULAR PURPOSE.**

Graco's sole obligation and buyer's sole remedy for any breach of warranty shall be as set forth above. The buyer agrees that no other remedy (including, but not limited to, incidental or consequential damages for lost profits, lost sales, injury to person or property, or any other incidental or consequential loss) shall be available. Any action for breach of warranty must be brought within two (2) years of the date of sale.

Graco makes no warranty, and disclaims all implied warranties of merchantability and fitness for a particular purpose in connection with accessories, equipment, materials or components sold but not manufactured by Graco. These items sold, but not manufactured by Graco (such as electric motors, switches, hose, etc.), are subject to the warranty, if any, of their manufacturer. Graco will provide purchaser with reasonable assistance in making any claim for breach of these warranties.

In no event will Graco be liable for indirect, incidental, special or consequential damages resulting from Graco supplying equipment hereunder, or the furnishing, performance, or use of any products or other goods sold hereto, whether due to a breach of contract, breach of warranty, the negligence of Graco, or otherwise.

## **FOR GRACO CANADA CUSTOMERS**

The parties acknowledge that they have required that the present document, as well as all documents, notices and legal proceedings entered into, given or instituted pursuant hereto or relating directly or indirectly hereto, be drawn up in English. Les parties reconnaissent avoir convenu que la rédaction du présente document sera en Anglais, ainsi que tous documents, avis et procédures judiciaires exécutés, donnés ou intentés à la suite de ou en rapport, directement ou indirectement, avec les procédures concernées.

# Graco Phone Number

**TO PLACE AN ORDER**, contact your Graco distributor, or call this number to identify the distributor closest to you:

**Phone:** 612-623-6921 **or Toll Free:** 1-800-328-0211, **Fax:** 612-378-3505

*All written and visual data contained in this document reflects the latest product information available at the time of publication.  
Graco reserves the right to make changes at any time without notice.*

MM 309162

**Graco Headquarters:** Minneapolis  
**International Offices:** Belgium, China, Japan, Korea

**GRACO INC. P.O. BOX 1441 MINNEAPOLIS, MN 55440-1441**

**www.graco.com**  
309162B Rev. 06/2006