

Swivel Assembly Kit or Swivel Seal Kit for XD30 High Capacity Hose Reels

3A0141D
EN

Instructions for Replacing Swivel Assembly or Swivel Seals on XD30 Series High Capacity Hose Reels.

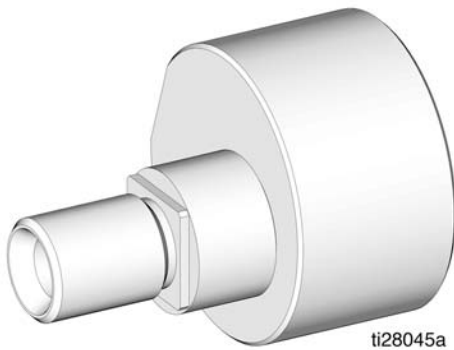


Important Safety Instructions

Read all warnings and instructions in this manual and in the XD30 Series High Capacity Hose Reel Instruction Manual. Save all instructions.

High Pressure Swivel Assembly Kit:

- 128920 - 1/2" NPSM
- 128921 - 1/2" BSPT



Low/Medium Pressure Swivel Assembly Kit:

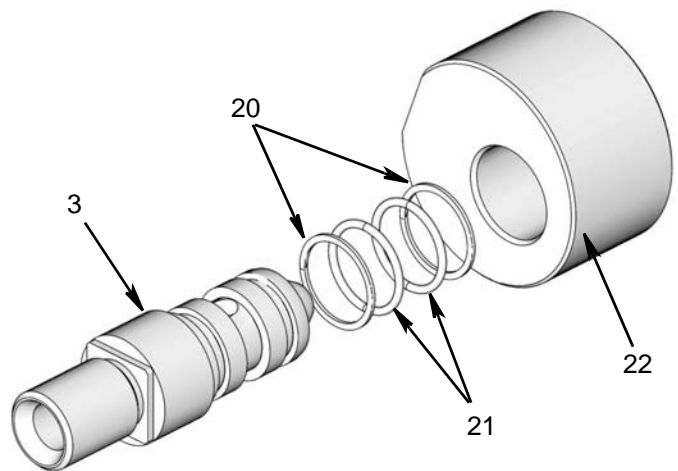
- 24C993 - 1/2" NPSM
- 24P059- 1/2" BSPT
- 24C994 - 3/4" NPSM
- 24P060- 3/4" BSPT
- (includes all parts 3, 20, 21, 22)

Low / Medium Pressure Swivel Seal Kit:

- 24D134 (includes 20 & 21 only)

Low/Medium Pressure Swivel Assembly Kit Parts

| Ref No. | Description | Qty |
|---------|----------------|-----|
| 3 | SHAFT, swivel | 1 |
| 20* | O-RING | 2 |
| 21* | O-RING, backup | 2 |
| 22 | ELBOW, swivel | 1 |



! WARNING



SKIN INJECTION HAZARD

High-pressure fluid from dispensing device, hose leaks, or ruptured components will pierce skin. This may look like just a cut, but it is a serious injury that can result in amputation. **Get immediate surgical treatment.**

- Do not point dispensing device at anyone or at any part of the body.
- Do not put your hand over the fluid outlet.
- Do not stop or deflect leaks with your hand, body, glove, or rag.
- Follow the **Pressure Relief Procedure** when you stop dispensing and before cleaning, checking, or servicing equipment.
- Tighten all fluid connections before operating the equipment.
- Check hoses and couplings daily. Replace worn or damaged parts immediately.



MOVING PARTS HAZARD

Moving parts can pinch, cut or amputate fingers and other body parts.

- Keep clear of moving parts.
- Do not operate equipment with protective guards or covers removed.
- Pressurized equipment can start without warning. Before checking, moving, or servicing equipment, follow the **Pressure Relief Procedure** and disconnect all power sources.

Pressure Relief Procedure



1. Close the supply pump's bleed-type master air valve (required for pneumatic systems) (FIG. 1).

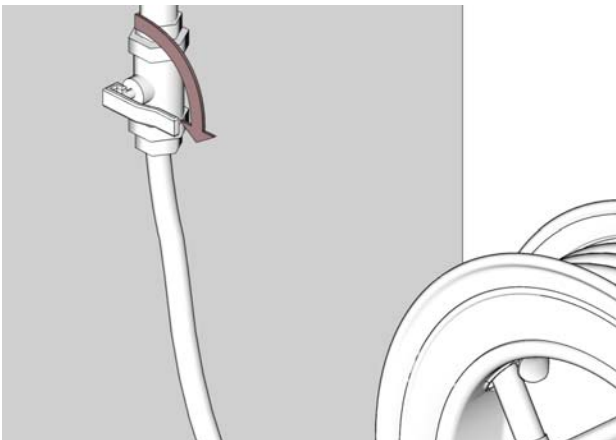


FIG. 1

2. Trigger fluid valve into a waste container until pressure is relieved (FIG. 2).



FIG. 2

3. Leave the fluid valve open until you are ready to use the system again.

*If you suspect that the dispensing valve, extension, or grease fitting coupler is clogged, or that pressure has not been fully relieved after you have followed the steps above, **very slowly** loosen the coupler or hose end coupling to relieve the pressure gradually, then loosen it completely. Then clear the clog.*

Instructions

Swivel Assembly Replacement


NOTE: Part numbers provided in these instructions correspond to the part numbers on the assembly drawing in the XD30 High Capacity Hose Reel Instruction Manual.

NOTE: For Low / Medium Pressure Reels Only

- The Swivel Assembly Kit includes **all** parts necessary to replace the swivel assembly, including the seals which are also provided in Swivel Seal Kit 24D134.
- If only the swivel seals are replaced, use Swivel Seal Kit 24D134.



1. **Relieve the pressure** (page 2).



Uncontrolled spinning of the hose reel could cause serious injury if you are hit by the hose.

- Never allow the reel to spin freely.
- The reel must be bolted securely in place when making adjustments.

2. **Decrease spring tension** (page 9).

3. Remove reel from service by removing 4 screws (A) holding reel base to mounting surface (FIG. 3)

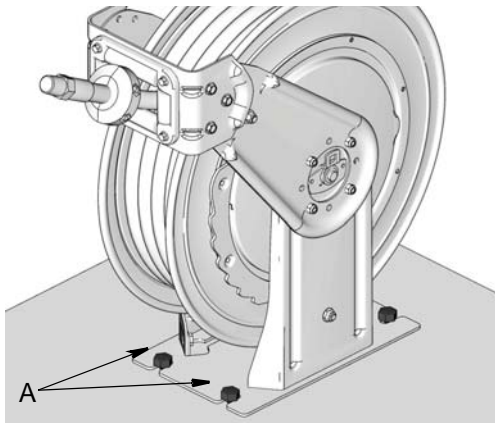


FIG. 3

4. Disconnect hose fitting (B) from swivel fitting (23) (FIG. 4).

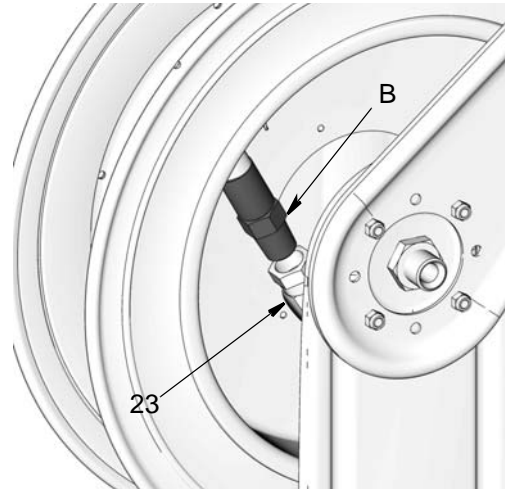


FIG. 4

Unless otherwise noted, steps 5 - 8 refer to FIG. 5, page 4).

5. Remove large nut (32).

6. Remove two screws (27) holding pedestal (26) to base (24) and three screws (52) and nuts (53) holding hose guide (31) to guide arm (30).

7. Completely remove guide arm and pedestal assembly (26 / 30) and set it aside. These parts do not have to be disassembled.

8. Lay hose reel on it's side, spool side down. Remove long bolt (18) and washers (15 / 16).

The swivel assembly is held in place by the tension created when bolt (18) is tightened and securely in place. When this tension is removed by loosening the bolt, the swivel and swivel shaft assembly can be removed (FIG. 6).

NOTE:

- If you are only replacing swivel seals, after completing Step 8 go to page 6, **Low / Medium Pressure Swivel Seal Replacement Instructions** for instructions on removing and replacing the o-ring seals on the swivel.
- If you are replacing the complete Swivel Assembly, discard swivel parts removed in Step 8 and replace them with the new parts included in the kit. Continue installation procedure with procedure for **Reassembly**, page 5.

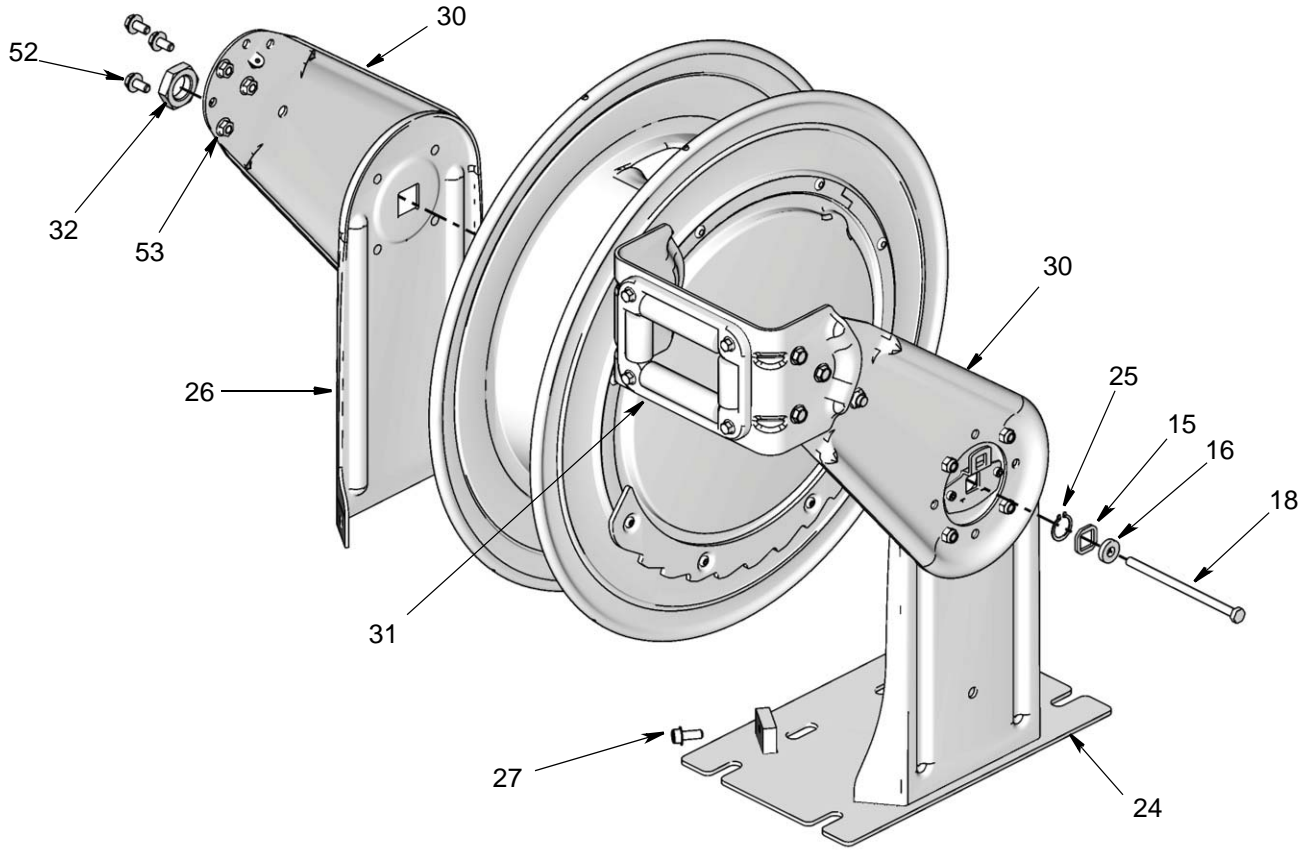


FIG. 5

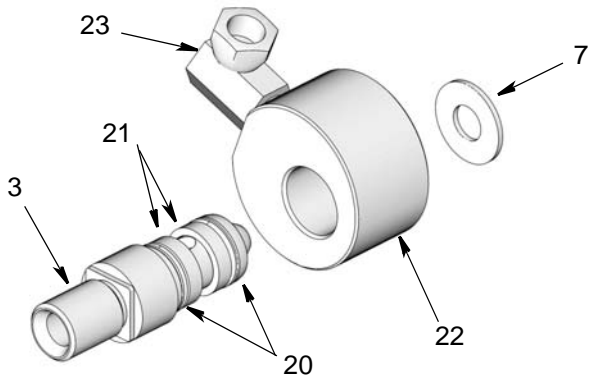


FIG. 6

NOTICE
 Be careful not to scratch or damage the o-ring seal surface or swivel body surface when removing old o-ring seals. Any scratches or damage to these surfaces will lead to fluid leakage.

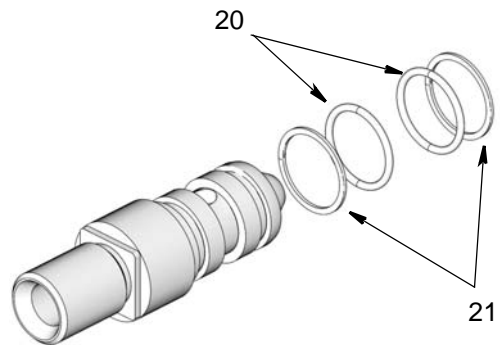


FIG. 7

Low / Medium Pressure Swivel Seal Replacement

1. Follow hose reel disassembly instructions, Steps 1 - 8, page 3.
2. Carefully remove seals (20 and 21) from swivel (FIG. 6 and FIG. 7).
3. Install new o-ring seals from kit in order shown in FIG. 7, page 4. Also refer to FIG. 6, page 4 for location of these seals on the swivel cylinder.

- Continue hose reel reassembly, following **Reassembly** instructions below.

Reassembly

Unless otherwise noted, refer to FIG. 5, page 4 for the following reassembly instructions.

- Grease all parts and lubricate the cavity of the swivel assembly with high-quality grease.
- Assemble swivel assembly (3, 22) and fitting (23) as shown in FIG. 6, page 4.
- Install washers (15 / 16) over end of bolt (18) and slide them over the threads to the bolt head.
- Slide bolt (18) through hole in center of spool. Do NOT tighten bolt.
- Stand hose reel assembly upright on the base (24).
- Install new swivel assembly and washer (7) in spool. Align fitting (23) with opening (A) in side of spool (FIG. 8). For hose reel to operate correctly, these parts must be aligned correctly.

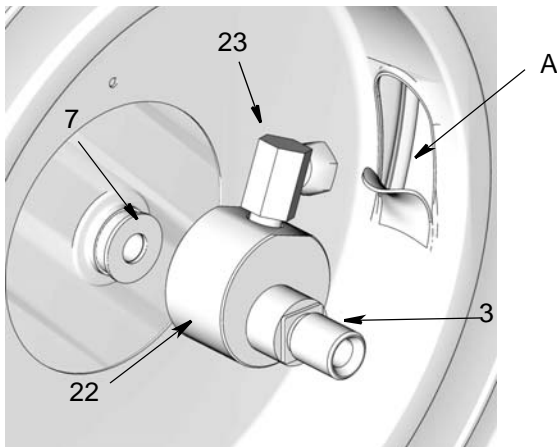


FIG. 8

- Tighten bolt (18).
- Align pedestal assembly (26) to base (24). Install 2 screws (27). Tighten and torque screws to 20-30 ft. lbs (89 - 133 N.m).
- Align guide arm (30) and hose guide (31). Install and tighten screws (52) and nuts (53).
- Install large nut (32). Tighten and torque nut to 85-105 ft. lbs (378 - 467 N.m).
- Connect hose end to the hose reel swivel fitting (23) (FIG. 9). Tighten securely.

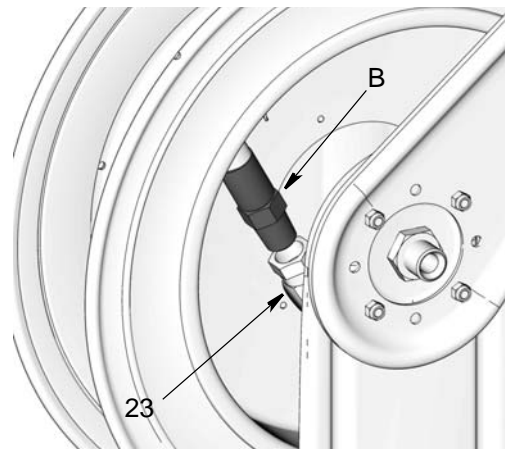


FIG. 9

- Reinstall hose reel to wall, ceiling or truck bed.
- Set spring tension following **Increasing Spring Tension** instructions on page 8.

Adjusting Spring Tension



Uncontrolled spinning of the hose reel could cause serious injury if you are hit by the hose.

- Never allow the reel to spin freely.
- The reel must be bolted securely in place when making adjustments.

Decreasing Spring Tension

1. If it is not already loose, loosen (A) 3-5 turns. Do not remove (A)! (FIG. 10).

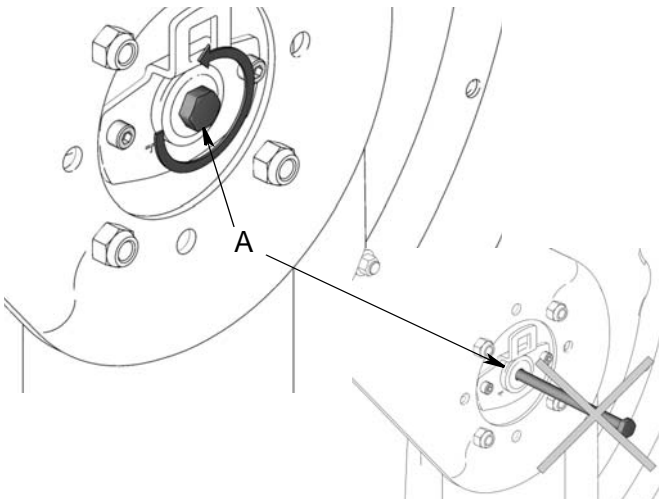


FIG. 10

2. If they are not already loose, loosen (B) 3-5 turns. Do not remove (B) yet (FIG. 11).

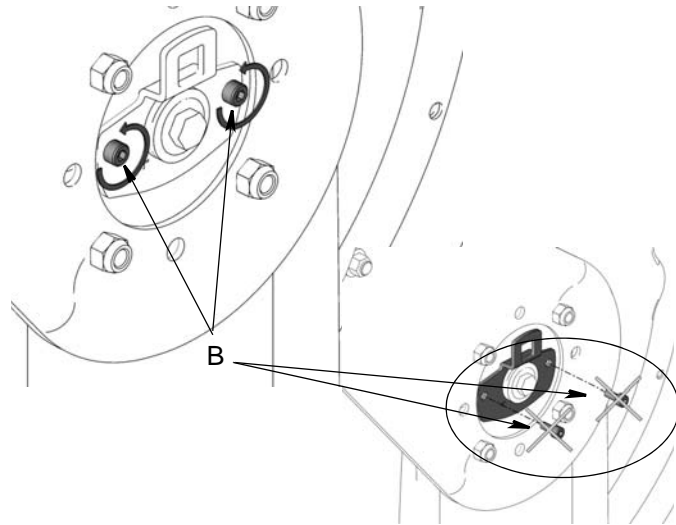


FIG. 11

3. Insert ratchet (C). Then remove screws (B) (FIG. 12).

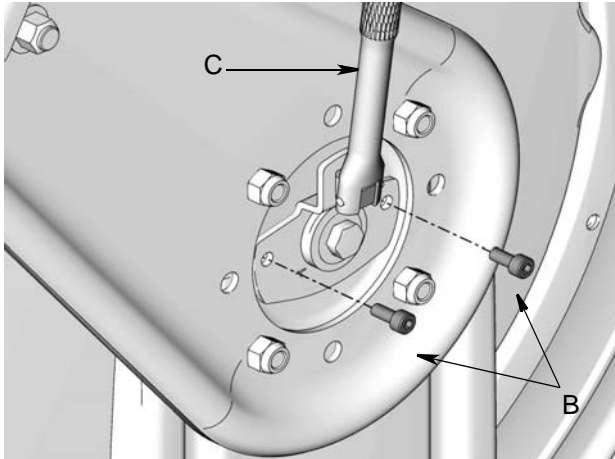


FIG. 12

4. Turn ratchet (C) one full turn counter-clockwise (FIG. 13).

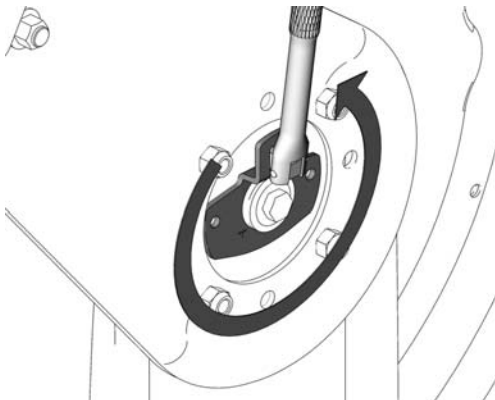


FIG. 13

5. Replace one screw (B). Leave ratchet (C) in place (FIG. 14).

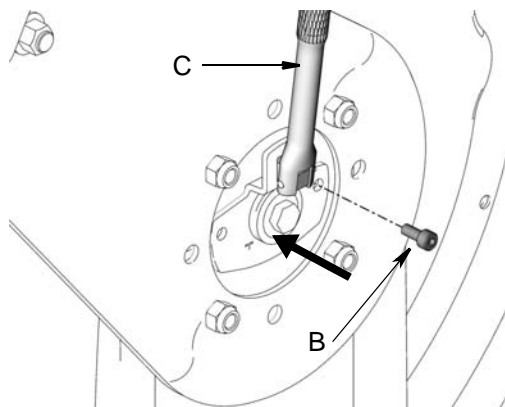


FIG. 14

6. Remove ratchet (C) (FIG. 15).

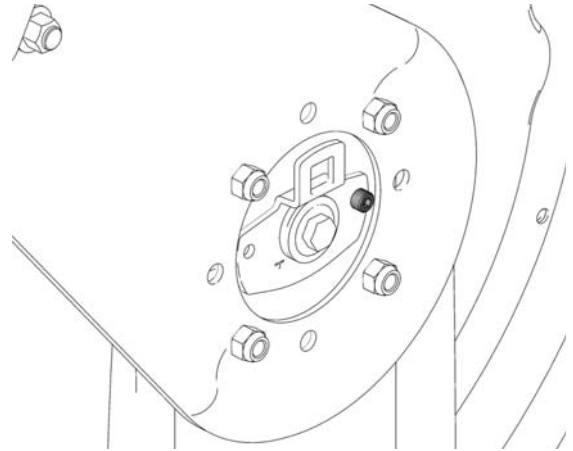


FIG. 15

7. Pull hose to test tension (FIG. 16).

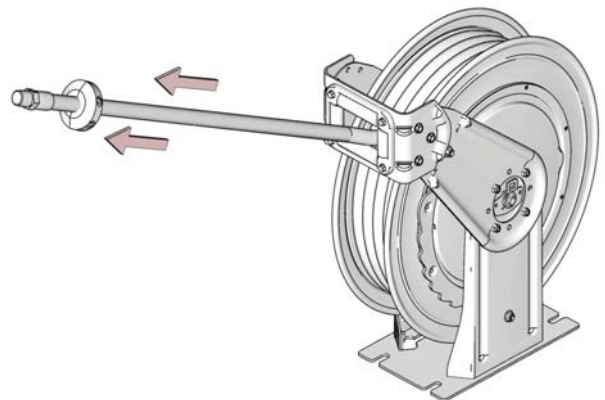


FIG. 16

8. Repeat 3 - 7 if necessary.
9. Replace and tighten screws (B) and (A) (FIG. 17).

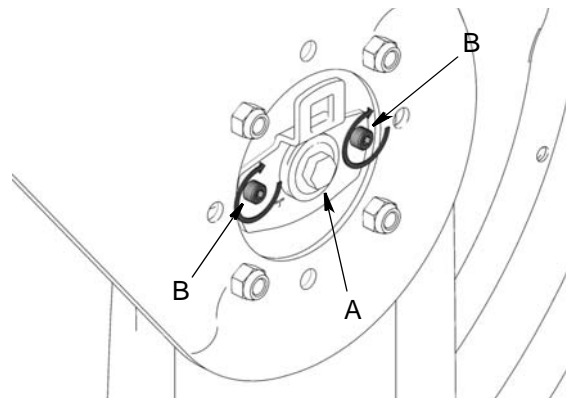



FIG. 17

Increasing Spring Tension

| | | | | | |
|---|--|--|--|--|--|
|  | | | | | |
| <p>Uncontrolled spinning of the hose reel could cause serious injury if you are hit by the hose.</p> <ul style="list-style-type: none"> • Never allow the reel to spin freely. • The reel must be bolted securely in place when making adjustments. | | | | | |

1. Loosen, but **DO NOT REMOVE**, bolt (A) (approximately 3 to 5 turns) (FIG. 18).

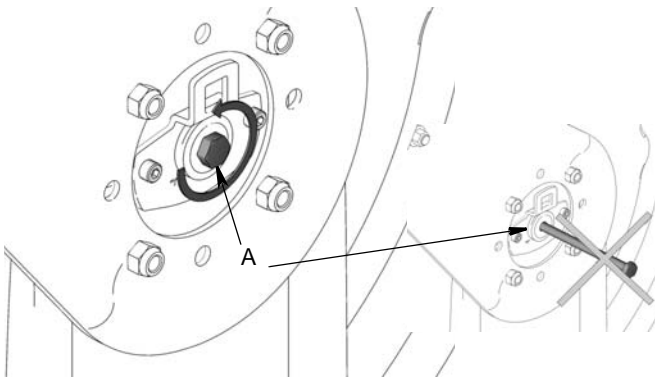


FIG. 18

2. Loosen screws (B) approximately 3 to 5 turns. **Do not remove screws (B) yet** (FIG. 19).

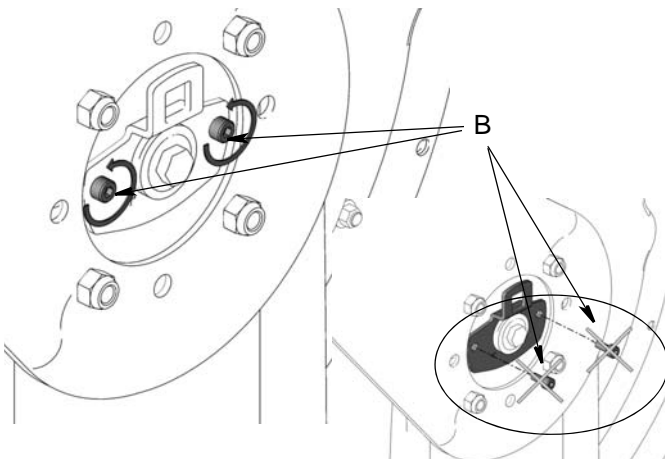


FIG. 19

3. Insert ratchet (C) in slot (D) first, then entirely remove screws (B) (FIG. 20).

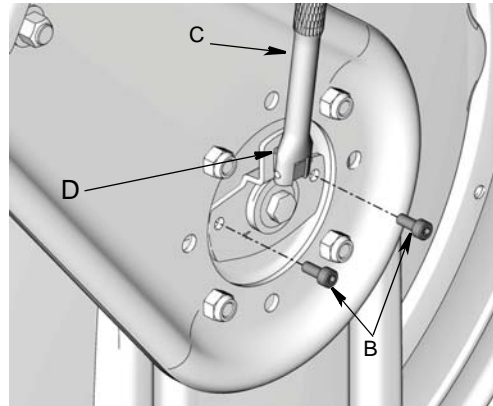


FIG. 20

4. Tighten spring by turning ratchet (C) clockwise. Refer to Table 1 to determine the number of full turns recommended for setting the spring tension for your hose reel model (FIG. 21).

Table 1: Recommended Turns to Set Spring Tension

| Model | Approx. No. Turns From Fully Relaxed Position to Increase Spring Tension |
|-------|--|
| HSHC5 | 12 |
| HSLC8 | 7 |
| HSLD5 | 10 |
| HSLE3 | 12 |
| HSMC8 | 7 |
| HSMD5 | 13 |
| HSPB8 | 9 |

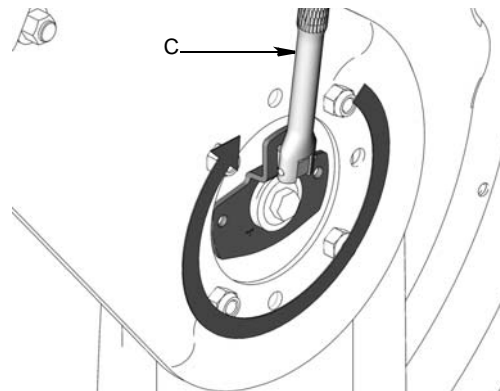


FIG. 21

5. Leave ratchet (C) in place. Replace one screw (B) (FIG. 22).

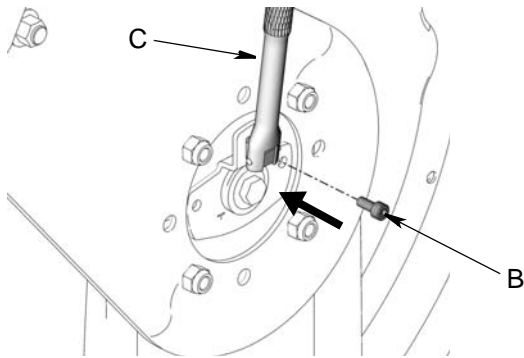


FIG. 22

8. If spring tension is still a little loose, reinsert ratchet (C) in slot (D) and remove screw (B) again.
9. Turn ratchet (C) one full turn clockwise.
10. Repeat Steps 5 - 7 until tension is tight.

OR

11. If spring tension is too tight, follow instructions for Decreasing Spring Tension, beginning on page 9.
12. When spring tension is set correctly, replace and tighten screws (B) and bolt (A).

6. Remove ratchet (C) from opening (D) (FIG. 23).

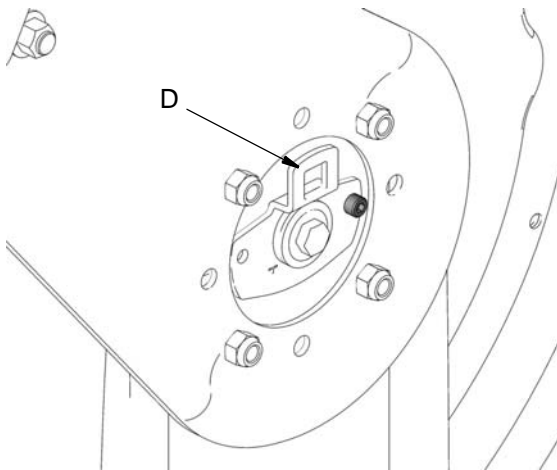


FIG. 23

7. Pull on hose to test tension (FIG. 24).

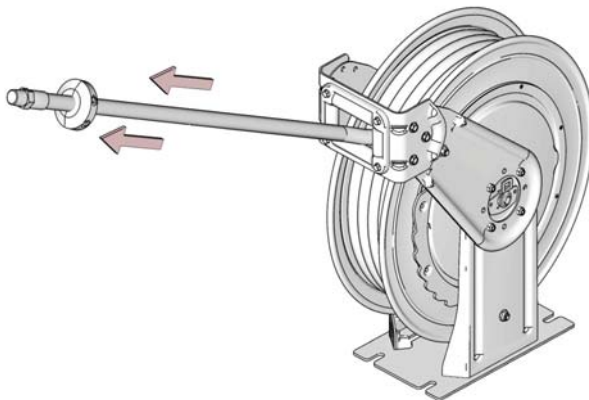


FIG. 24

*All written and visual data contained in this document reflects the latest product information available at the time of publication.
Graco reserves the right to make changes at any time without notice.*

For patent information, see www.graco.com/patents.

Original instructions. This manual contains English. MM 3A0141

Graco Headquarters: Minneapolis

International Offices: Belgium, China, Japan, Korea

GRACO INC. AND SUBSIDIARIES • P.O. BOX 1441 • MINNEAPOLIS MN 55440-1441 • USA

Copyright 2009, Graco Inc. All Graco manufacturing locations are registered to ISO 9001.

www.graco.com

Revised March 2016