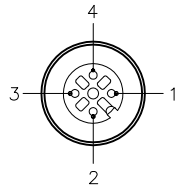
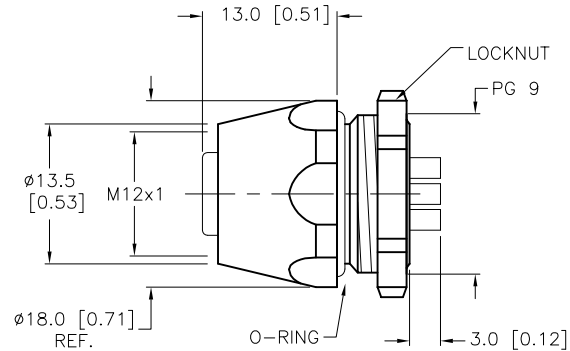
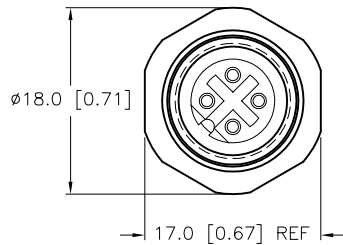


FEMALE END VIEW



SPECIFICATIONS

| | |
|----------------------------------|-----------------------------------|
| CONTACT CARRIER MATERIAL | NYLON OR TPU |
| CONTACT MATERIAL/PLATING | BRASS/GOLD |
| HOUSING/LOCKNUT MATERIAL/PLATING | BRASS/NICKEL |
| O-RING MATERIAL | BUNA-N |
| RATED CURRENT [A] | 4.0 A |
| RATED VOLTAGE [V] | 250 V |
| TERMINATION TYPE | SOLDER CUPS |
| MAX. WIRE SIZE | 20 AWG |
| TEMPERATURE RANGE | -40°C to +105°C (-40°F to +221°F) |
| PROTECTION CLASS | MEETS NEMA 1,3,4,6P AND IEC IP68 |



SOURCE DRAWING - FOR REFERENCE ONLY

| | | | | | | | |
|-------------------|--------------------|---|--|--|-------------|---------------------|---------|
| RELATED DOCUMENTS | | 3RD ANGLE PROJECTION | THIS DRAWING IS CONFIDENTIAL AND THE PROPERTY OF TURCK INC. USE OF THIS DOCUMENT WITHOUT WRITTEN PERMISSION IS PROHIBITED. | TURCK INC High Technology Sensors and Automation Controls 3000 CAMPUS DRIVE MINNEAPOLIS, MN 55441 1-800-544-7769 (763) 553-7300 (763) 553-0708 fax turck.com | | | |
| 1. | | | | DRFT | RJP | DATE | 2/23/93 |
| 2. | | ALL DIMENSIONS DISPLAYED ON THIS DRAWING ARE FOR REFERENCE ONLY | APVD | SCALE | | 1=.8 | |
| 3. | | | | UNIT OF MEASUREMENT | | MILLIMETER [INCH] | |
| 4. | | CONTACT TURCK FOR MORE INFORMATION | DO NOT SCALE THIS DRAWING | | FILE: U9509 | REV | F |
| MATERIAL | SEE SPECIFICATIONS | | | | | | |
| FINISH | SEE SPECIFICATIONS | | | | | | |

| | | | | |
|-----|--|-----|----------|---------|
| F | DRAWING PROCESSED AS PART OF ECO 39008 | KMY | 06/11/12 | 39008 |
| REV | DESCRIPTION | BY | DATE | ECO NO. |