

RoadLazer™ RoadPak™ Line Striping System

3A1697J

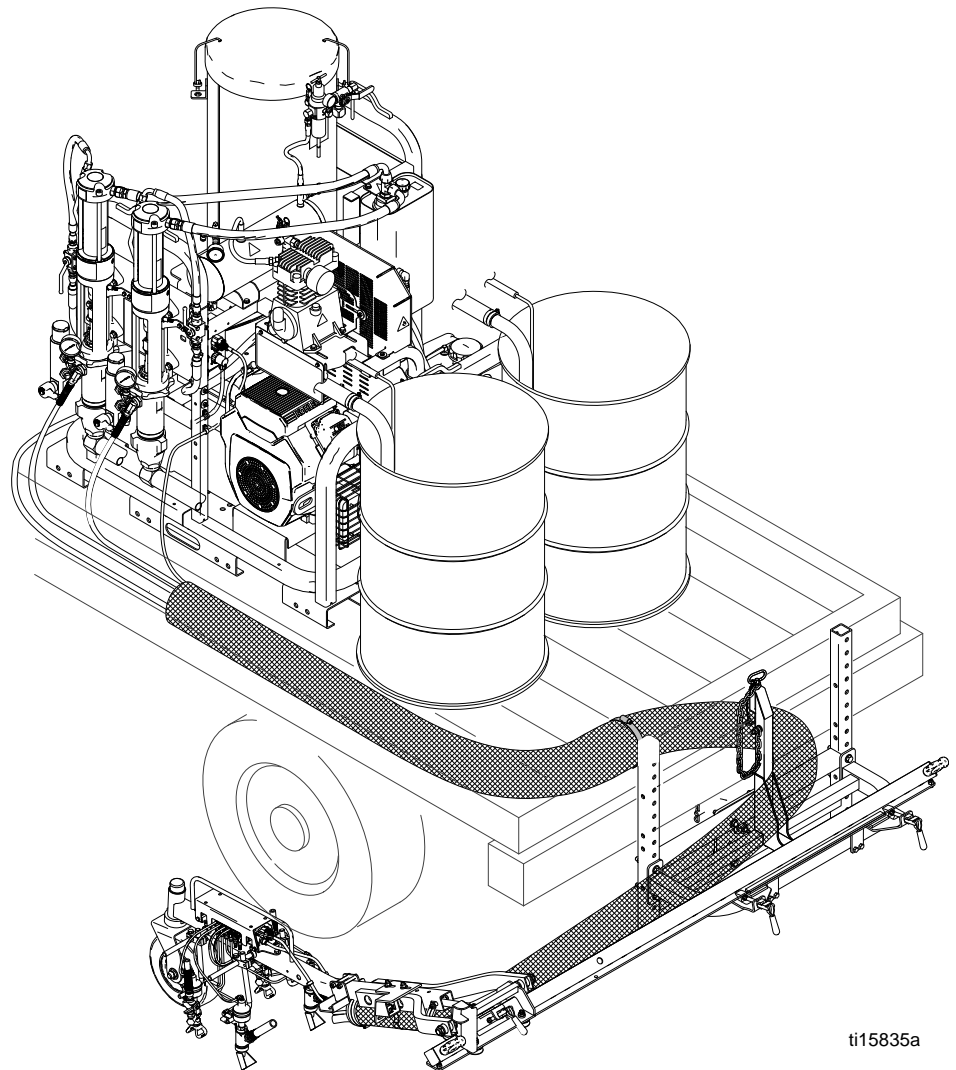
EN

*- For the Application of Road Marking and Reflective Coatings -
- For Professional Use Only -*



Important Safety Instructions

For complete warnings and safety instructions see RoadLazer™
RoadPak™ Line Striper System manual. Save these instructions.

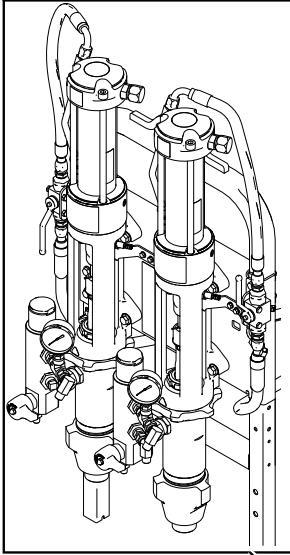


ti15835a



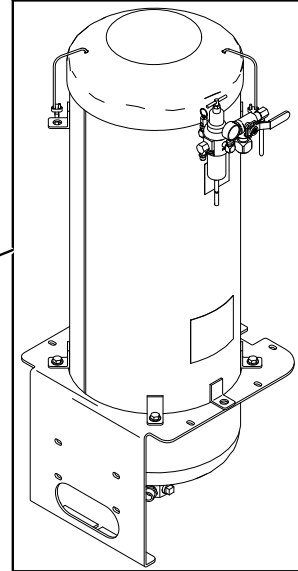
Contents

Pump Assembly



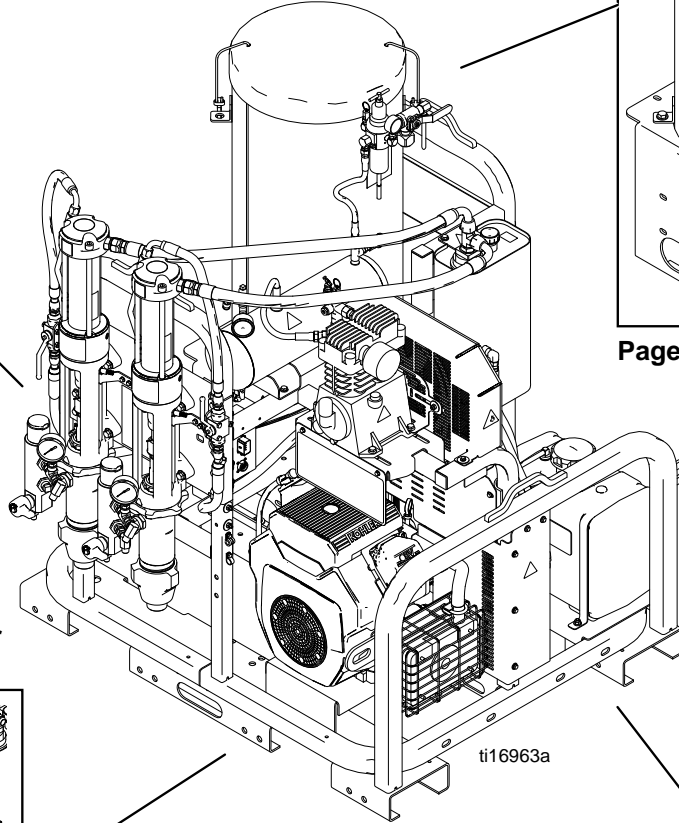
Page 4

Bead Tank Assembly

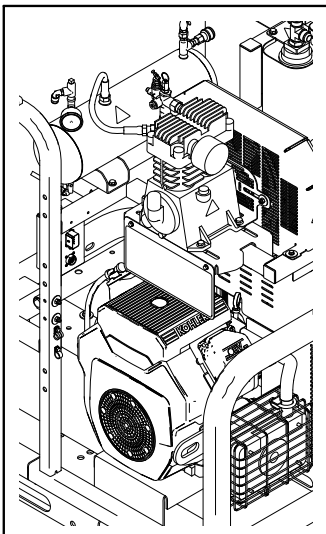


Page 8

RoadLazer RoadPak Module 24G624, 24G625

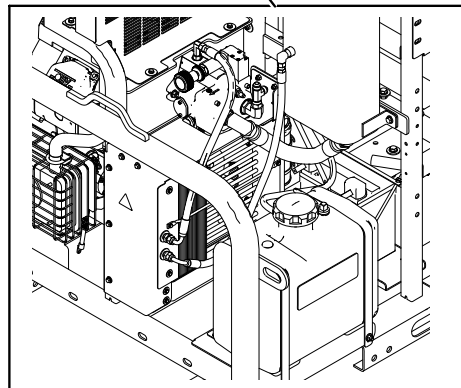


Engine and Compressor Assembly



Page 10

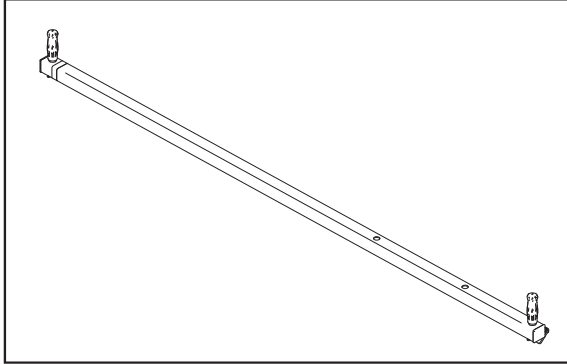
Hydraulic Pump Assembly



Page 12

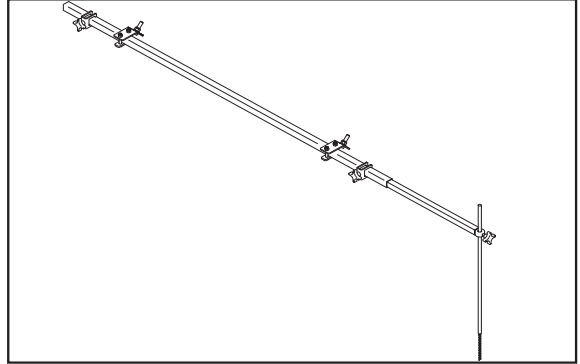
Contents

Adjustable Gun Arm Beam 24G630



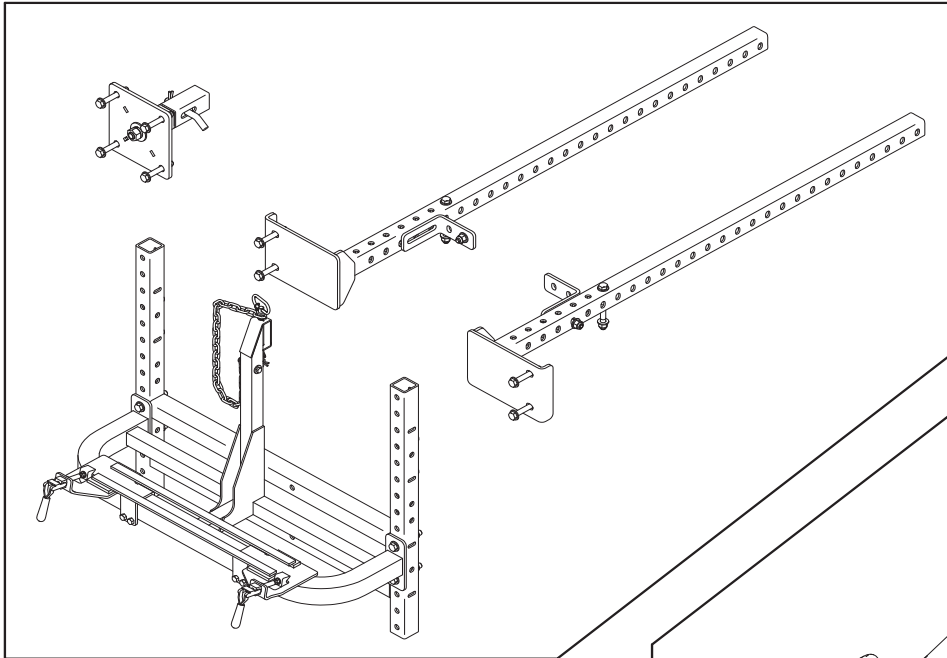
Page 18

Pointer System 24G634



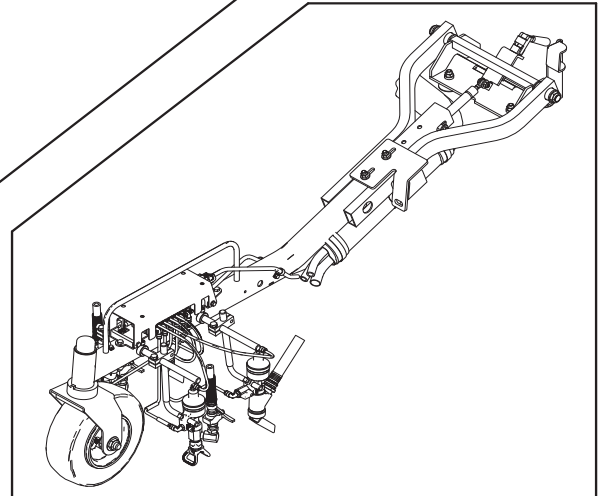
Page 14

Single Hitch Mounting Frame 24G626 / Slide-in Mounting Frame 24G627



Page 15

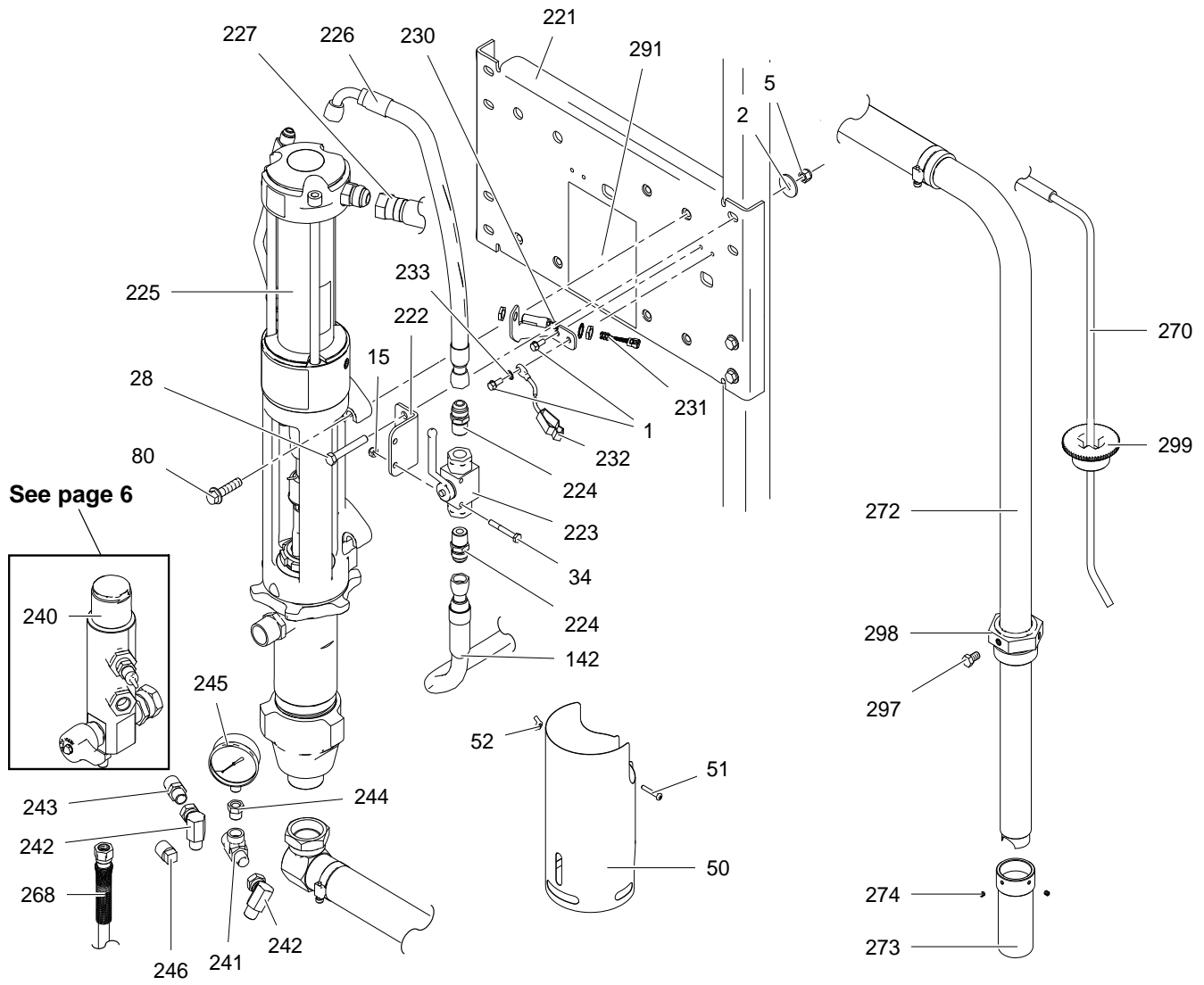
**RoadPak Gun Arm
24G628 / 24G629**



Page 16

ti16964a

Parts - RoadPak 24G625, 24G624



ti16965a

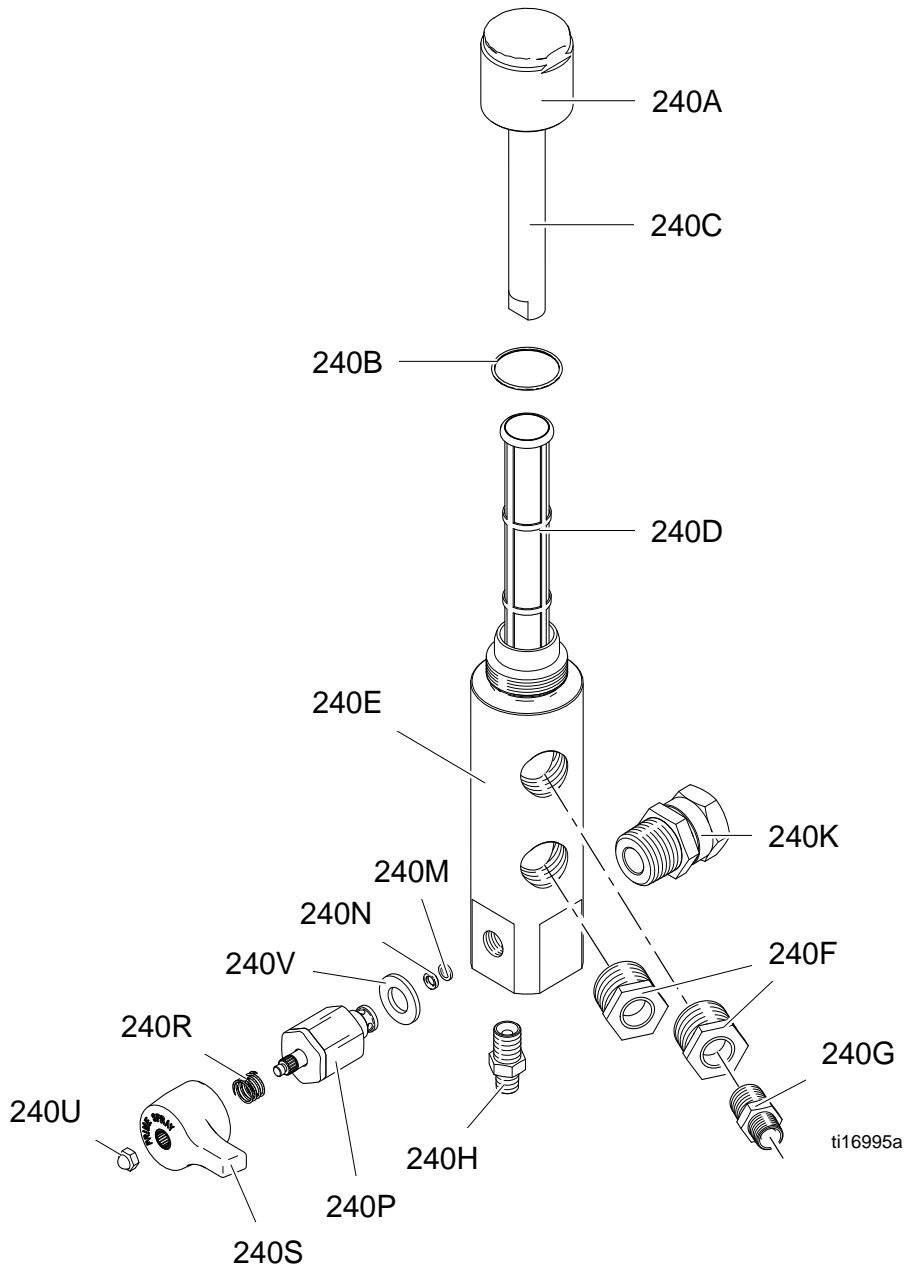
Parts List - RoadPak 24G625, 24G624

Ref.	Part	Description	Qty	Ref.	Part	Description	Qty	
1	112774	SCREW, mach, sltd hex wash hd (Model 24G625)	4	240	24G986	FILTER, assembly, RPS 2900 (Model 24G625)	2	
	112774	SCREW, mach, sltd hex wash hd (Model 24G624)	2		24G986	FILTER, assembly, RPS 2900 (Model 24G624)	1	
2	108851	WASHER, plain	8	241	124490	FITTING, tee, street (Model 24G625)	2	
5	101566	NUT, lock	8		124490	FITTING, tee, street (Model 24G624)	1	
15	102040	NUT, lock, hex	4		207123	UNION, swivel, 90 deg (Model 24G625)	3	
28	516595	BOLT, hex hd, 3/8 x 2.5	8		207123	UNION, swivel, 90 deg (Model 24G624)	2	
34	110982	SCREW, cap, hex hd (Model 24G625)	4	242	207123	UNION, swivel, 90 deg (Model 24G624)	2	
	110982	SCREW, cap, hex hd (Model 24G624)	2		243	16F255	FITTING, nipple, rdcg, 1/2 x 3/8 npt (Model 24G625)	3
50	16H585	SHIELD, pump (Model 24G625)	2		16F255	FITTING, nipple, rdcg, 1/2 x 3/8 npt (Model 24G624)	2	
	16H585	SHIELD, pump (Model 24G624)	1		244	168160	BUSHING, pipe (Model 24G625)	2
51	111235	SCREW, mach, pnh (Model 24G625)	2		168160	BUSHING, pipe (Model 24G624)	1	
	111235	SCREW, mach, pnh (Model 24G624)	1	245	102814	GAUGE, press, fluid (Model 24G625)	2	
52	120317	NUT, wing (Model 24G625)	2		102814	GAUGE, press, fluid (Model 24G624)	1	
	120317	NUT, wing (Model 24G624)	1		246	124489	PLUG, pipe (Model 24G625)	1
80	120226	SCREW, hex hd, flange	8	268	245798	HOSE, cpld, 1/4 in. x 7 ft (Model 24G625)	2	
142	16G034	HOSE, coupled	1		245798	HOSE, cpld, 1/4 in. x 7 ft (Model 24G624)	1	
221	16G784	PLATE, pump mounting, painted	1		270	16G707	TUBE, drain (Model 24G625)	2
222	16G414	BRACKET, ball valve (Model 24G625)	2		16G707	TUBE, drain (Model 24G624)	1	
	16G414	BRACKET, ball valve (Model 24G624)	1	272	24G726	HOSE, suction (Model 24G625)	2	
223	120140	VALVE, ball, assembly (Model 24G625)	2		24G726	HOSE, suction (Model 24G624)	1	
	120140	VALVE, ball, assembly (Model 24G624)	1	273	16G692	STRAINER, inlet (Model 24G625)	2	
224	120304	FITTING, nipple, straight (Model 24G625)	4		16G692	STRAINER, inlet (Model 24G624)	1	
	120304	FITTING, nipple, straight (Model 24G624)	2	274	125320	SCREW, mach, phillips, rnd hd (Model 24G625)	4	
225 †	24G767	PUMP, RPS 2900 (Model 24G625)	2		125320	SCREW, mach, phillips, rnd hd (Model 24G624)	2	
	24G767	PUMP, RPS 2900 (Model 24G624)	1	▲291	16H057	LABEL, warning, multiple	1	
226	15G783	HOSE, coupled (Model 24G625)	2	297	15D008	BOLT, 3/8-16, 316 sst	1	
	15G783	HOSE, coupled (Model 24G624)	1	298	260384	ADAPTER, bung, machining	1	
227	16G037	HOSE, coupled (Model 24G625)	2	299	16J716	PLUG, 3/4 drum, with hole	1	
	16G037	HOSE, coupled (Model 24G624)	1					
230	16G421	BRACKET, sensor (Model 24G625)	2					
	16G421	BRACKET, sensor (Model 24G624)	1					
231	16J511	SENSOR, gallon counter (Model 24G625)	2					
	16J511	SENSOR, gallon counter (Model 24G624)	1					
232	237686	WIRE, ground assembly w/ clamp	1					
233	100985	WASHER, lock ext	1					

† Refer to manual 3A1303 for individual parts list.

▲ Replacement Danger and Warning labels, tags, and cards are available at no cost.

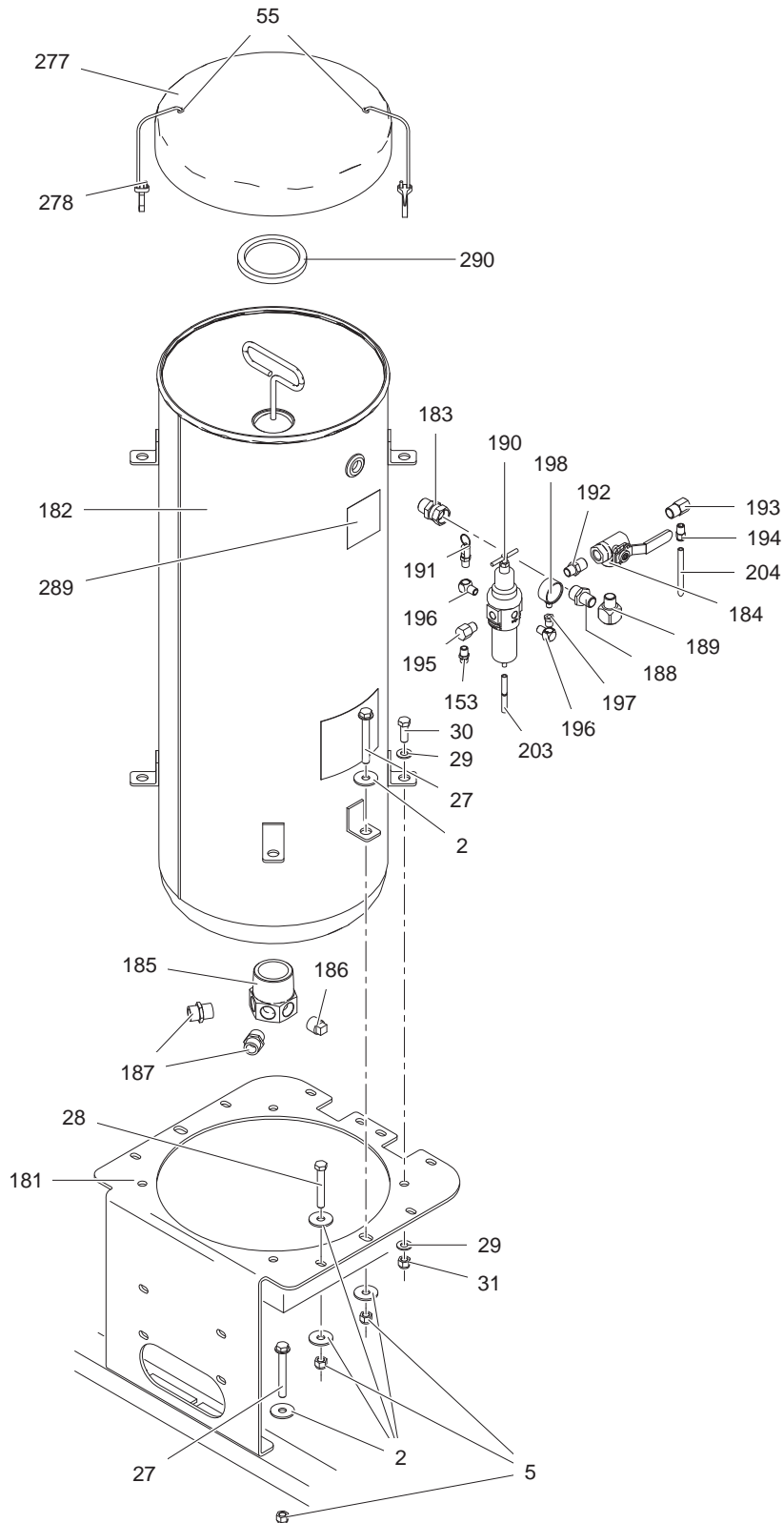
Parts - Filter Assembly 24G986



Parts List - Filter Assembly 24G986

Ref.	Part	Description	Qty	Ref.	Part	Description	Qty
240A	15C765	CAP, filter	1	240K	287968	FITTING, union adapter	1
240B	117285	PACKING, o-ring	1	240M	193710	SEAL, seat, valve	1
240C	15C766	TUBE, diffusion	1	240N	193709	SEAT, valve	1
240D	244071	FILTER, 30 mesh, ultra	1	240P	287879	VALVE, drain, assy (includes 240V)	1
240E	15G649	BASE, filter	1	240R	114708	SPRING, compression	1
240F	124488	BUSHING, pipe	2	240S	15G563	HANDLE, valve	1
240G	16F255	FITTING, nipple, rdcg, 1/2 x 3/8 npt	1	240U	116424	NUT, cap	1
240H	16F254	FITTING, nipple, rdcg 5/8 x 1/4 npt	1	240V	114797	GASKET	1

Parts - RoadPak 24G625, 24G624 (continued)

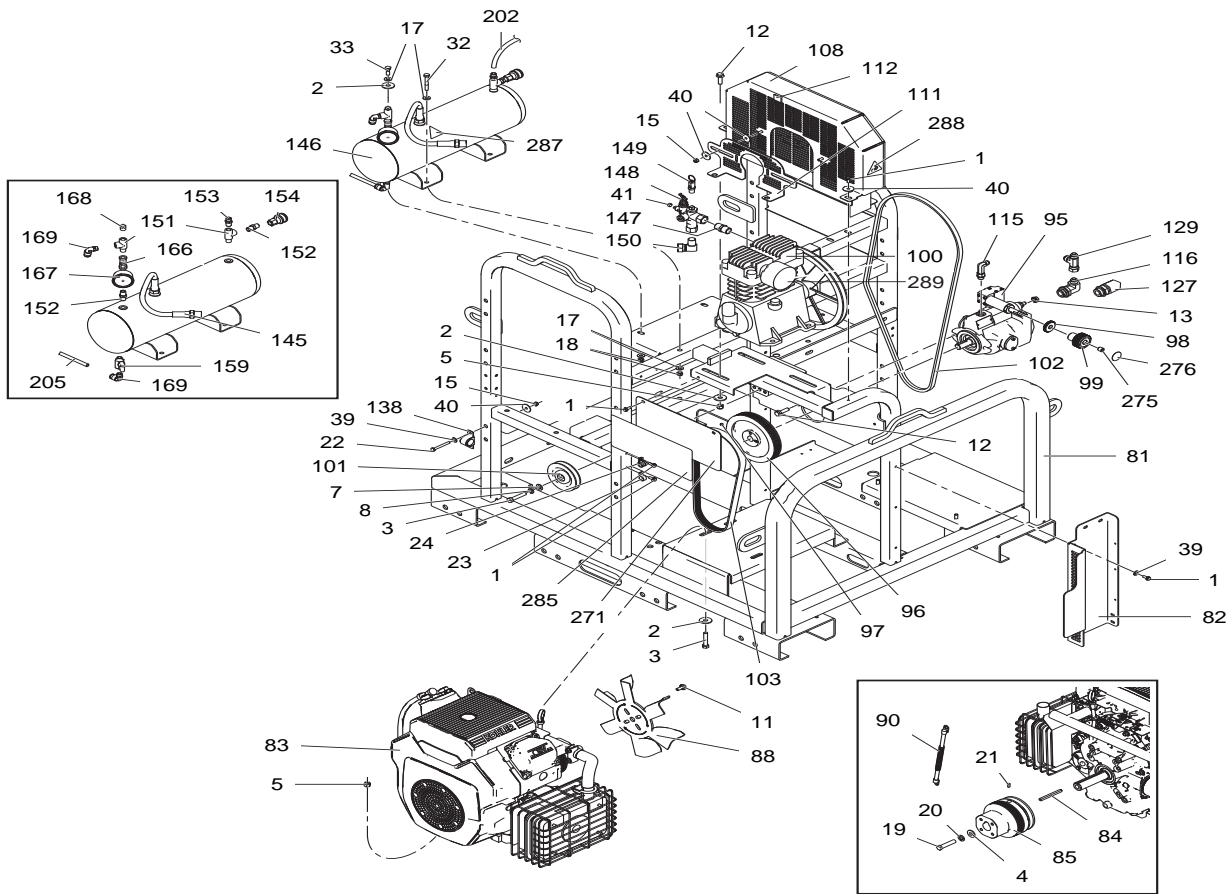


ti16966b

Parts List - RoadPak 24G625, 24G624 (continued)

Ref.	Part	Description	Qty	Ref.	Part	Description	Qty
2	108851	WASHER, plain	13	189	158683	FITTING, elbow, 90 deg	1
5	101566	NUT, lock	8	190	113291	REGULATOR, air	1
27	116935	CAPSCREW	4	191	108124	VALVE, safety, 75 psi	1
28	516595	BOLT	4	192	159239	FITTING, nipple, pipe, rdcg	1
29	109570	WASHER, plain	8	193	166999	FITTING, elbow, street	1
30	100017	SCREW, cap, hex hd	4	194	113319	FITTING, air	1
31	801020	NUT, lock, hex	4	195	164259	FITTING, elbow, street	1
55	16J471	GROMMET	2	196	100840	FITTING, elbow, street	2
153	162453	FITTING, (1/4 npsm x 1/4 npt)	1	197	100030	BUSHING	1
181	16G777	PLATE, mount, bead tank, painted	1	198	104655	GAUGE, press air	1
182	24F496	TANK, bead, 36 gal., painted	1	203	16H355	TUBE, drain	1
183	157785	FITTING, swivel	1	204	191643	HOSE, air, 3/8	1
184	113292	VALVE, ball, 3 way	1	277	24J348	COVER, bead tank	1
185	191222	FITTING	1	278	119771	STRAP, cover	2
186	104663	PLUG, pipe	2	289	16H060	LABEL, pressure on off	1
187	111834	NIPPLE, pipe, hex	2	290	15A552	SEAL	1
188	157191	FITTING, adapter (1/2 npt x 3/4 npt)	1				

Parts - RoadPak 24G625, 24G624 (continued)



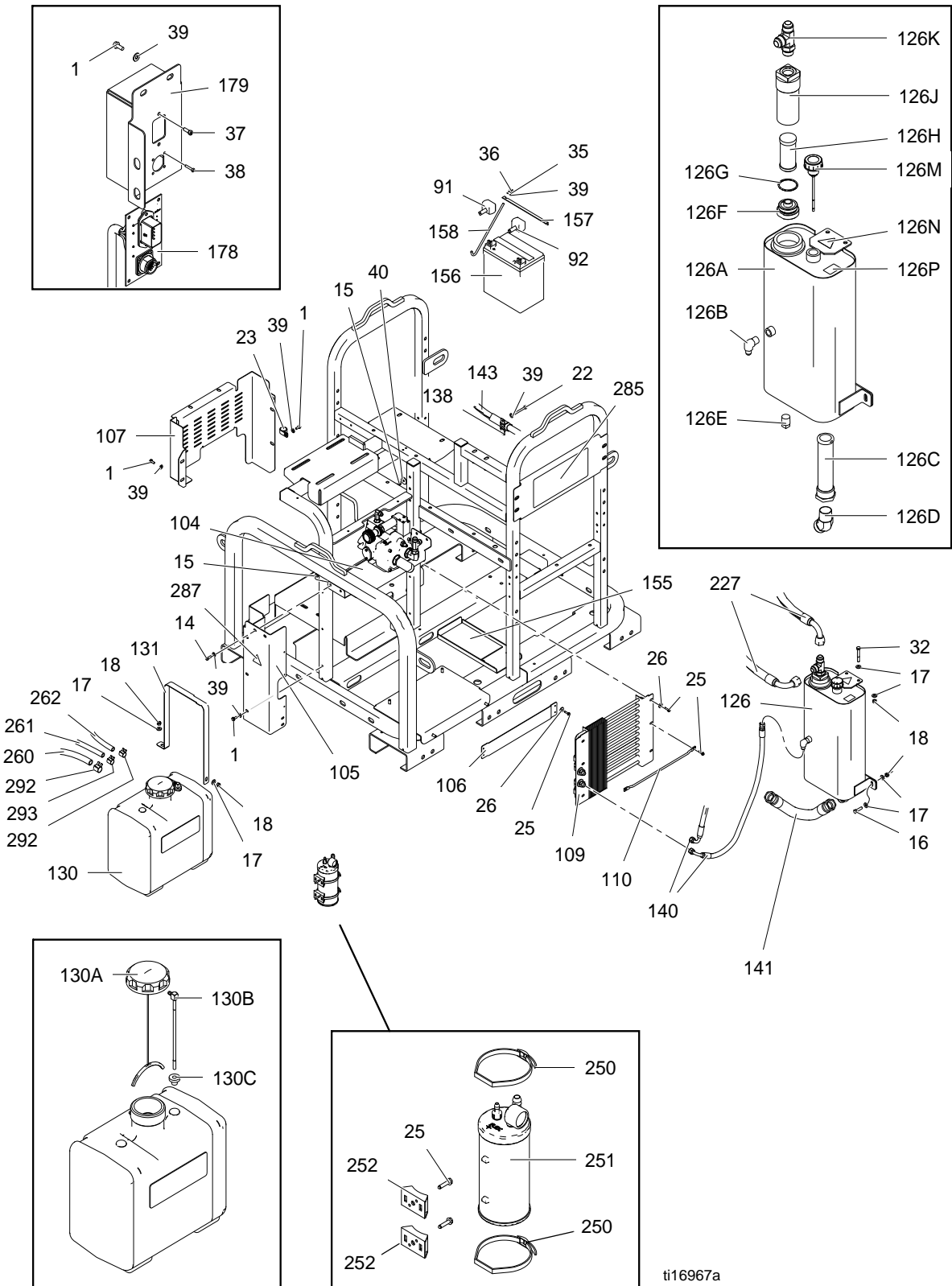
ti16962a

Parts List - RoadPak 24G625, 24G624 (continued)

Ref.	Part	Description	Qty	Ref.	Part	Description	Qty
1	112774	SCREW, mach, sltd hex wash hd	11	97	100002	SCREW, set, sch	2
2	108851	WASHER, plain	8	98	15G767	COLLAR, locking, pressure knob	1
3	111803	SCREW, cap, hex hd	5	99	15B438	KNOB, pressure	1
4	100132	WASHER, flat	1	100	24N370	KIT, compressor, air	1
5	101566	NUT, lock	8	101	124880	PULLEY, idler, a section belt	1
7	100731	WASHER	1	102	124926	BELT, v, a section	1
8	100133	WASHER, lock, 3/8	1	103	120172	BELT, poly-v	1
11	110963	SCREW, cap, flange head	4	108	24H322	COVER, belt, assy, painted	1
12	111193	SCREW, cap, flange head	6	111	16G830	COVER, belt, air compressor, paint	1
13	112958	NUT, hex, flanged	2	112	187797	SPACER, duct	1
15	102040	NUT, lock, hex (Model 24G625)	6	115	124941	FITTING, long elbow, hydraulic	1
	102040	NUT, lock, hex (Model 24G624)	4	116	124942	FITTING, elbow, hydraulic	1
17	100527	WASHER, plain	8	127	120066	FITTING, elbow, hydraulic	1
18	111040	NUT, lock, insert, nylock, 5/16	4	129	124770	FITTING, tee, 1/2 jic, swivel	1
19	125070	SCREW, cap, hex head	1	138	125005	(Model 24G625)	2
20	100052	WASHER, lock	1		125005	(Model 24G624)	1
21	114246	SCREW, set	1	145	24H284	HOSE, coupled, PTFE	1
22	105171	SCREW, cap, hex, 1/4 x 2.25 (Model 24G625)	4	146	24G416	TANK, air, assembly	1
	105171	SCREW, cap, hex, 1/4 x 2.25 (Model 24G624)	2	147	158491	FITTING, nipple	1
23	113491	CLAMP, wire	1	148	112795	REGULATOR, unloader	1
24	125220	CLAMP, cushion, support, type, loop	1	149	113286	VALVE, safety, 150 psi	1
32	108481	SCREW, cap, hex hd	2	150	155470	FITTING, swivel, union, 90 degree	1
33	100450	SCREW, cap, hex hd	2	151	106228	FITTING, tee, street	2
39	110755	WASHER, plain (Model 24G625)	7	152	156971	FITTING, nipple, short	2
	110755	WASHER, plain (Model 24G624)	5	153	162453	FITTING, (1/4 npsm x 1/4 npt)	1
40	159346	WASHER (Model 24G625)	4	154	208536	COUPLER, line, air	1
	159346	WASHER (Model 24G624)	2	159	15B565	VALVE, ball	1
41	104765	PLUG, pipe headless	1	166	104984	FITTING, tee, pipe	1
81	24G715	FRAME, weldment, Powerpak	1	167	118457	GAUGE, panel, mount	1
82	16G572	SUPPORT, cooler, left, painted	1	168	100509	PLUG, pipe	1
83	124935	ENGINE, gasoline, 18 HP Kohler	1	169	115841	FITTING, elbow	2
84	605358	KEY, sprocket	1	202	512616	HOSE, coupled	1
85	16G406	PULLEY, drive	1	205	125276	HOSE, air, 3/8	1
88	119971	FAN	1	275	117560	SCREW, set, socket head	1
90	125073	CABLE, elec., battery, positive	1	276	15A464	LABEL, control	1
95	24J517	KIT, pump, hydraulic (includes 276, 275, 99, 98, 12, 13)	1	285	16G703	LABEL, Roadlazer, Roadpak, side	1
96	15G812	PULLEY, pump	1	▲287	189285	LABEL, caution	1
				▲288	16C394	LABEL, iso pinch hazard icon	12
				289	128736	KIT, air filter	1

▲ Replacement Danger and Warning labels, tags, and cards are available at no cost.

Parts - RoadPak 24G625, 24G624 (continued)

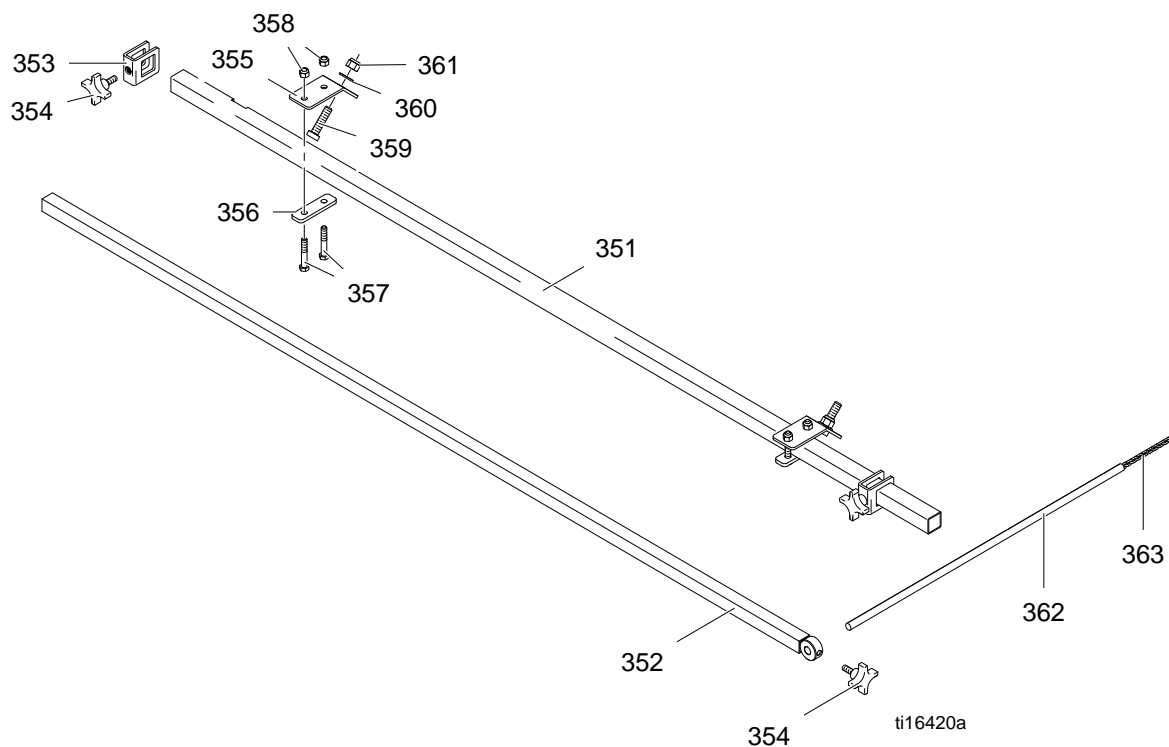


ti16967a

Parts List - RoadPak 24G625, 24G624 (continued)

Ref.	Part	Description	Qty	Ref.	Part	Description	Qty
1	112774	SCREW, mach, sltd hex wash hd	8	126K	124768	FITTING, tee, 3/4 jic x 3/4 sae	1
14	100022	SCREW, cap, hex hd	4	126M	17L161	CAP, breather filler	1
15	102040	NUT, lock, hex	13	▲126N	189285	LABEL, caution	1
16	100521	SCREW, cap hed hd	2	126P	198585	LABEL, hydraulic fluid	1
17	100527	WASHER, plain	12	130	24H257	KIT, install, 6 gal fuel tank (includes 130B, 130C)	1
18	111040	NUT, lock, insert, nylock, 5/16	8	130A	16G721	CAP, 3.5 in. carb compliant, gas	1
22	105171	SCREW, cap, hex, 1/4 x 2 1/4	3	130B	16G720	TUBE, pickup, 6 gallon tank	1
23	113491	CLAMP, wire	1	130C	16G754	GROMMET, FKM	1
25	C20474	SCREW, self-tapping	12	131	16G778	BRACKET, mounting, fuel tank	2
26	120339	WASHER, fender	8	138	125005	CLAMP, hose, cushion, 7/8 ID	2
32	108481	SCREW, cap, hex hd	2	140	16G033	HOSE, coupled	2
35	100016	WASHER, lock	2	141	16G038	HOSE, coupled	1
36	100015	NUT, hex mscr	2	143	16G035	HOSE, coupled	1
37	120463	SCREW, mach, fill hd	2	155	801972	PAD, battery	1
38	111714	SCREW, mach, pnh	4	156	115753	BATTERY, 33 AH, sealed	1
39	110755	WASHER, plain	17	157	107069	CLAMP, battery	1
40	159346	WASHER	3	158	803525	BOLT, battery	2
91	801958	PROTECTOR, terminal, red	1	178	24F922	BOARD, inner connect	1
92	801959	TERMINAL, protector, black	1	179	24H360	JUNCTION BOX, Roadpak sys- tem, painted	1
104	16G576	COVER, fan, top, painted	1	227	16G037	HOSE, coupled	2
105	16G574	SUPPORT, cooler, right, painted	1	250	16G756	STRAP, cartridge, mounting	2
106	16G578	SUPPORT, cooler, front, painted	1	251	16G710	CATRIDGE, fuel vapor, carbon	1
107	16G580	COVER, belt, lower, painted	1	252	16G758	BRACKET, cartridge, mount	2
109	287925	COOLER, oil	1	260	16G722	HOSE, 1/4 in. low perm, 3 ft	1
110	15H480	BAR, support	1	261	16H081	HOSE, 3/16 in. low perm, 15 in.	1
126	24G984	RESERVOIR, hydraulic, RPS 2900	1	262	16H082	HOSE, 1/4 in. low perm, 2 ft	1
126A	15G545	RESERVOIR, painted	1	285	16G703	LABEL, Roadlazer, Roadpak, side	2
126B	120064	FITTING, elbow, hydraulic	1	▲287	189285	LABEL, caution	2
126C	120137	FITTING, suction	1	292	16G757	CLAMP, hose, 1/4 in.	4
126D	124769	FITTING, elbow, male, 1 jic x 1 sae	1	293	16G162	CLAMP, hose, 3/16 in.	2
126E	100737	PLUG, pipe	1	▲ Replacement Danger and Warning labels, tags, and cards are available at no cost.			
126F	15H247	CAP, filter, hydraulic	1				
126G	120315	O-RING, packing	1				
126H	120310	FILTER, hydraulic fluid	1				
126J	15H246	HOUSING	1				

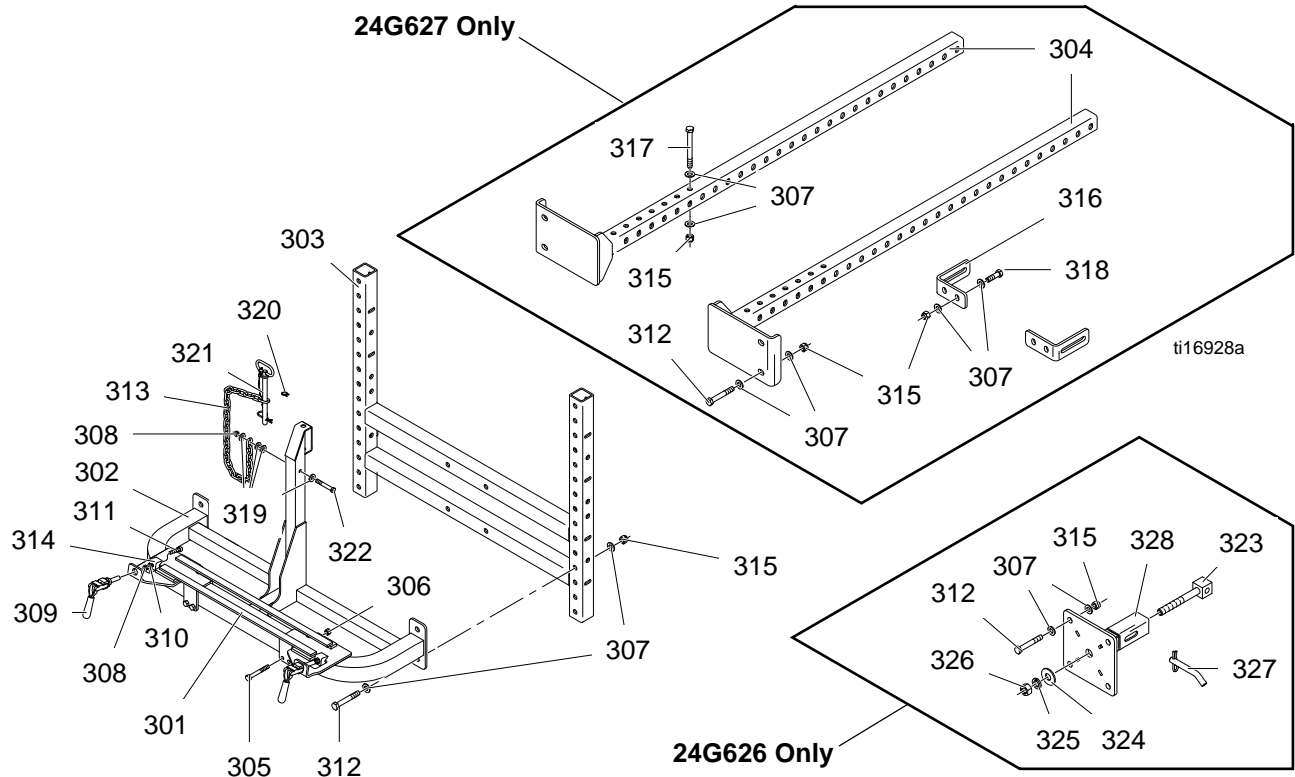
Parts - Pointer System 24G634



Parts List - Pointer System 24G634

Ref.	Part	Description	Qty
			.
351	191692	BRACKET, support	1
352	24F989	ARM, extension, guide	1
353	224136	CLAMP, extension	2
354	111145	KNOB, pronged	3
355	191691	BRACKET, mount	2
356	191694	BAR, lock	2
357	105431	SCREW, manifold	4
358	101566	NUT, lock	4
359	100017	SCREW, cap, hex HD	2
360	109570	WASHER, plain	2
361	801020	NUT, lock, hex	2
362	195202	ROD, indicator	1
363	115479	FASTENER, w/chain	1

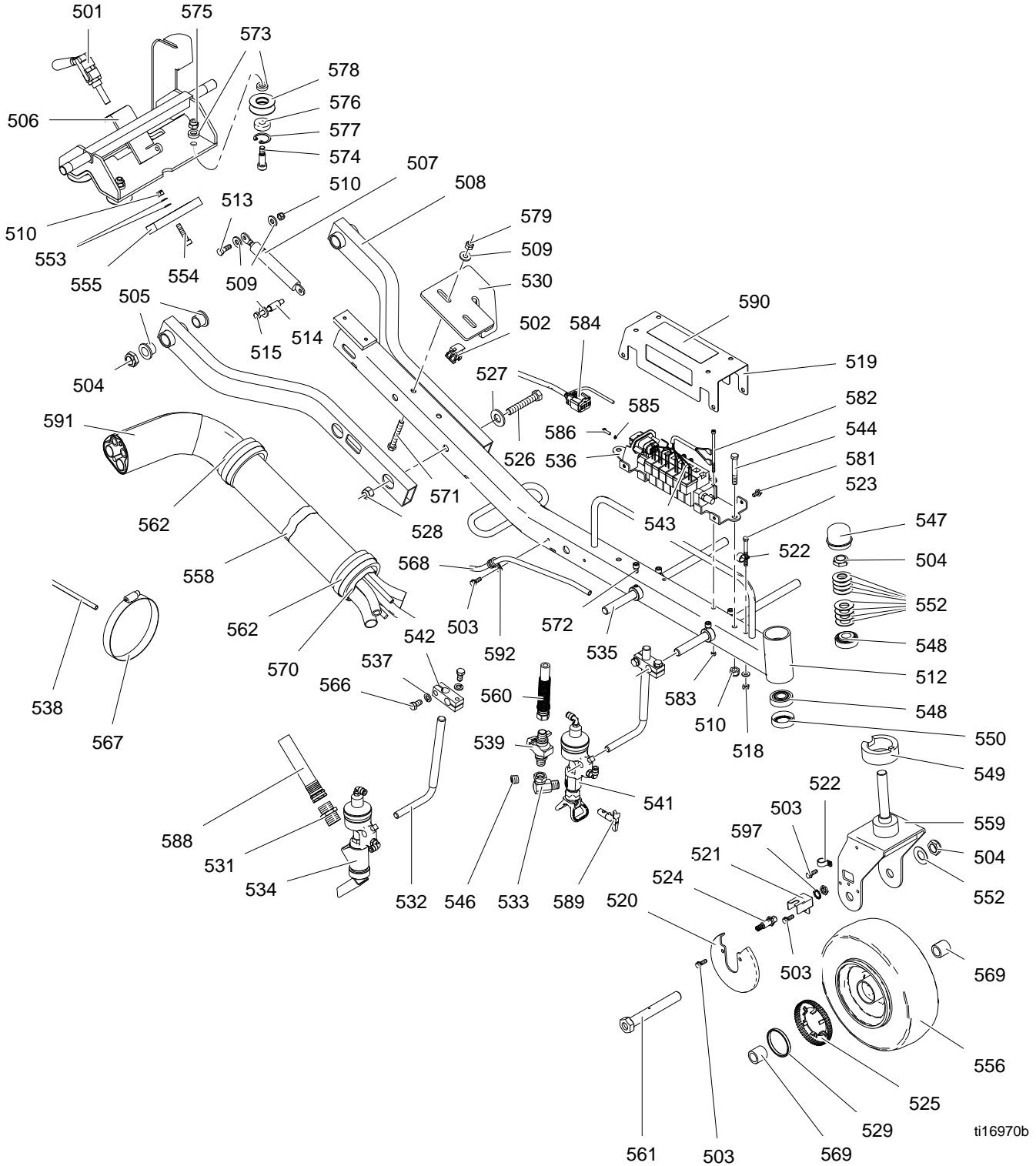
Parts - Slide-in Mounting Frame 24G627 Single Hitch Mounting Frame 24G626



Parts List - Slide-in Mounting Frame 24G627 Single Hitch Mounting Frame 24G626

Ref.	Part	Description	Qty	Ref.	Part	Description	Qty
301	238301	BRACKET, guide	1	317	115211	SCREW, cap, hex HD (24G627 only)	2
302	24G982	BRACKET, mounting, arm, gun, painted	1	318	100017	SCREW, cap, hex HD (24G627 only)	8
303	24G981	BRACKET, hitch, arm, gun, painted	1	319	100023	WASHER, flat	4
304	24F991	EXTENSION, frame (24G627 only)	2	320	M71635	CLAMP, hose	1
305	100454	SCREW, cap hex HD	4	321	115473	PIN, hitch	1
306	101566	NUT, lock	4	322	802277	SCREW, machine	1
307	109570	WASHER, plain	52	323	24F497	ROD, tension (24G626 only)	1
308	111040	NUT, lock, insert, nylock, 5/16	3	324	110947	WASHER, plain (24G626 only)	1
309	113304	CLAMP, cam over	2	325	101015	WASHER, lock (24G626 only)	1
310	113451	WASHER, wave	2	326	C19187	NUT, nex (24G626 only)	1
311	113467	SCREW, cap, socket HD	2	327	125060	RECEIVER, hitch pin and clip (24G626 only)	1
312	124869	SCREW, cap, hex HD	16	328	24G840	INSERT, hitch, Roadpak, painted (24G626 only)	1
313	186812	CHAIN, ground 3.5 HP	1				
314	191099	CLAMP, wedge	2				
315	801020	NUT, lock, hex	26				
316	16G056	BRACE, L-bracket, painted (24G627 only)	4				

Parts - Gun Arm 24G628, 24G629



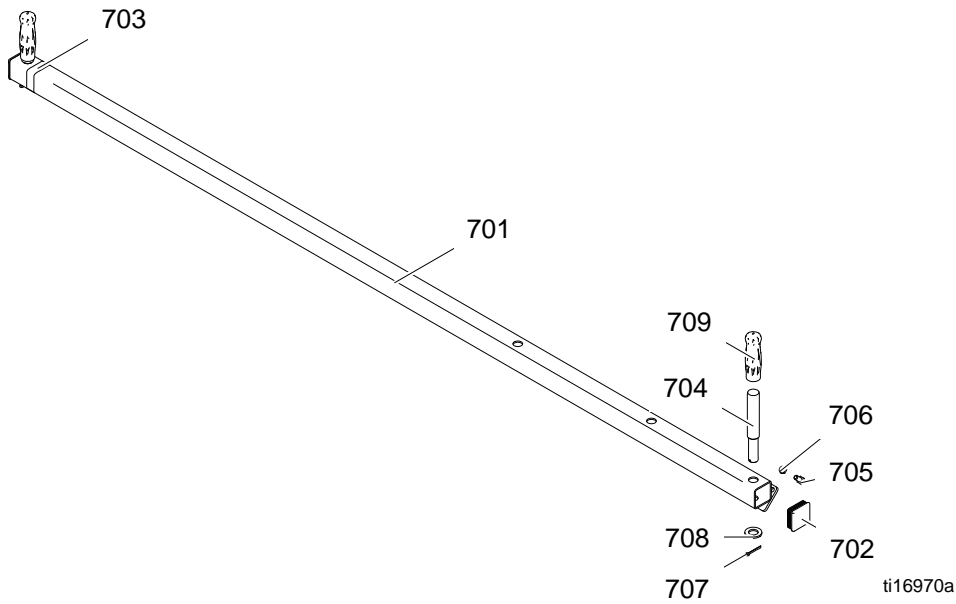
ti16970b

Parts List - Gun Arm 24G628, 24G629

Ref.	Part	Description	Qty	Ref.	Part	Description	Qty
501	113304	CLAMP, cam over	1	548	113485	BEARING, cup/cone	2
502	116833	SWITCH, safety	1	549	191102	COLLAR, stop	1
503	260212	SCREW, hex washer hd, thd form	6	550	113484	SEAL, grease	1
504	112405	NUT, lock	4	552	112825	SPRING, belleville	9
505	113454	BUSHING, oilite	4	553	113451	WASHER, wave	2
506	24F984	BRACKET, traverse	1	554	113467	SCREW, cap, socket HD	1
507	113600	SHOCK, gas	1	555	191114	CLAMP, retaining	1
508	238321	ARM, wishbone	2	556	24J541	WHEEL, pneumatic (includes 525, 529)	1
509	100023	WASHER, flat	6				
510	111040	NUT, lock, insert, nylock, 5/16	5	558	114271	STRAP, retaining	7
512	24F987	BEAM, boom	1	559	24F988	FORK, caster	1
513	100450	SCREW, cap hex HD	1	560	124884	HOSE, coupled, 3/8 in. X 20 ft (Model 24G629)	3
514	191264	SPACER, gas, spring	2		124884	HOSE, coupled, 3/8 in. X 20 ft (Model 24G628)	2
515	113664	SCREW, cap, hex HD	1				
518	102040	NUT, lock, hex	1	561	113471	SCREW, cap, hex HD	1
519	16G051	COVER, solenoid	1	562	178861	PAD, foam	2
520	16G057	COVER, sprocket	1	566	100101	SCREW, cap, hex HD	8
521	16G052	SHIELD, sensor	1	567	113695	CLAMP, hose	2
522	113491	CLAMP, wire	1	568	16G833	HOSE, air	1
523	103547	SCREW, mach, hex HD	1	569	193658	SPACER, seal	2
524	15E943	SENSOR, distance	1	570	16G812	JACKET, scuff, 15 ft	1
525		GEAR, signal	1	571	100454	SCREW, cap hex HD	2
526	101147	SCREW, cap, hex HD	2	572	116940	SCREW, cap, sh, 5/16-18	4
527	109570	WASHER, plain	4	573	194491	SPACER	8
528	801020	NUT, lock, hex	2	574	114986	BOLT, shoulder, sch	4
529		RING, sensor gear	1	575	114987	NUT, lock	4
530	24F985	BRACKET, stowing	1	576	113326	BEARING	4
531	111834	NIPPLE, pipe, hex	2	577	113598	RING, retaining, internal	4
532	191164	ARM, mtg, gun	4	578	191112	WHEEL, traverse	4
533	207123	UNION, swivel, 90 deg (Model 24G629)	3	579	101566	NUT, lock	2
	207123	UNION, swivel, 90 deg (Model 24G628)	2	581	113161	SCREW, flange, hex HD	4
534	24G979	GUN, spray, bead	2	582	124983	SCREW, cap, sch, 10-24 X 3.75	2
535	191163	ARM, pivot, gun	2	583	116969	NUT, lock	2
536	24H015	BRACKET, mounting, solenoid	1	584	16G161	CABLE, control	1
537	100133	WASHER, lock, 3/8	8	585	100079	WASHER, lock, spring	2
538	191191	HOSE, air	8	586	121939	SCREW, plastite, #8 hex wash HD	2
539	24F607	VALVE, ball, 3/8 NPT, e-nickel PLT (Model 24G629)	3	588	16G167	HOSE, bead, 3/4 in., clear	2
	24F607	VALVE, ball, 3/8 NPT, e-nickel PLT (Model 24G628)	2	589	LL5339	TIP, spray, RAC 5, striping	2
541	24G980	GUN, spray, auto	2	▲590	16H058	LABEL, injection hazard iso symb	1
542	191218	CLAMP, support, arm	4	591	16H460	SLEEVE, durawrap velcro	1
543	16G049	VALVE, air solenoid	1	592	125220	CLAMP, cushion, support, type, loop	3
544	802277	SCREW, machine	2	597	116287	WASHER, SST, external, star- washer	1
546	101748	PLUG, pipe SST (Model 24G629)	2				
546	101748	PLUG, pipe SST (Model 24G628)	1				
547	113453	CAP, dust	1				

▲ Replacement Danger and Warning labels, tags, and cards are available at no cost.

Parts - Gun Arm Beam 24G630



Parts List - Gun Arm Beam 24G630

Ref.	Part	Description	Qty
701	24G842	BEAM, gun arm, adjustable	1
702	113682	PLUG, tubing	2
703	290159	LABEL, reflective	2
704	191089	HANDLE, beam	2
705	100469	SCREW, cap, hex HD	2
706	125205	NUT, lock, nylon, 3/8-16	2
707	108450	PIN, cotter	2
708	160641	WASHER, packing	2
709	16F422	GRIP, handle	2

Notes

Graco Standard Warranty

Graco warrants all equipment referenced in this document which is manufactured by Graco and bearing its name to be free from defects in material and workmanship on the date of sale to the original purchaser for use. With the exception of any special, extended, or limited warranty published by Graco, Graco will, for a period of twelve months from the date of sale, repair or replace any part of the equipment determined by Graco to be defective. This warranty applies only when the equipment is installed, operated and maintained in accordance with Graco's written recommendations.

This warranty does not cover, and Graco shall not be liable for general wear and tear, or any malfunction, damage or wear caused by faulty installation, misapplication, abrasion, corrosion, inadequate or improper maintenance, negligence, accident, tampering, or substitution of non-Graco component parts. Nor shall Graco be liable for malfunction, damage or wear caused by the incompatibility of Graco equipment with structures, accessories, equipment or materials not supplied by Graco, or the improper design, manufacture, installation, operation or maintenance of structures, accessories, equipment or materials not supplied by Graco.

This warranty is conditioned upon the prepaid return of the equipment claimed to be defective to an authorized Graco distributor for verification of the claimed defect. If the claimed defect is verified, Graco will repair or replace free of charge any defective parts. The equipment will be returned to the original purchaser transportation prepaid. If inspection of the equipment does not disclose any defect in material or workmanship, repairs will be made at a reasonable charge, which charges may include the costs of parts, labor, and transportation.

THIS WARRANTY IS EXCLUSIVE, AND IS IN LIEU OF ANY OTHER WARRANTIES, EXPRESS OR IMPLIED, INCLUDING BUT NOT LIMITED TO WARRANTY OF MERCHANTABILITY OR WARRANTY OF FITNESS FOR A PARTICULAR PURPOSE.

Graco's sole obligation and buyer's sole remedy for any breach of warranty shall be as set forth above. The buyer agrees that no other remedy (including, but not limited to, incidental or consequential damages for lost profits, lost sales, injury to person or property, or any other incidental or consequential loss) shall be available. Any action for breach of warranty must be brought within two (2) years of the date of sale.

GRACO MAKES NO WARRANTY, AND DISCLAIMS ALL IMPLIED WARRANTIES OF MERCHANTABILITY AND FITNESS FOR A PARTICULAR PURPOSE, IN CONNECTION WITH ACCESSORIES, EQUIPMENT, MATERIALS OR COMPONENTS SOLD BUT NOT MANUFACTURED BY GRACO. These items sold, but not manufactured by Graco (such as electric motors, switches, hose, etc.), are subject to the warranty, if any, of their manufacturer. Graco will provide purchaser with reasonable assistance in making any claim for breach of these warranties.

In no event will Graco be liable for indirect, incidental, special or consequential damages resulting from Graco supplying equipment hereunder, or the furnishing, performance, or use of any products or other goods sold hereto, whether due to a breach of contract, breach of warranty, the negligence of Graco, or otherwise.

FOR GRACO CANADA CUSTOMERS

The Parties acknowledge that they have required that the present document, as well as all documents, notices and legal proceedings entered into, given or instituted pursuant hereto or relating directly or indirectly hereto, be drawn up in English. Les parties reconnaissent avoir convenu que la rédaction du présente document sera en Anglais, ainsi que tous documents, avis et procédures judiciaires exécutés, donnés ou intentés, à la suite de ou en rapport, directement ou indirectement, avec les procédures concernées.

Graco Information

For the latest information about Graco products, visit www.graco.com.

For patent information, see www.graco.com/patents.

TO PLACE AN ORDER, contact your Graco distributor or call 1-800-690-2894 to identify the nearest distributor.

*All written and visual data contained in this document reflects the latest product information available at the time of publication.
Graco reserves the right to make changes at any time without notice.*

For patent information, see www.graco.com/patents.
Original instructions. This manual contains English. MM 3A1697

Graco Headquarters: Minneapolis
International Offices: Belgium, China, Japan, Korea

GRACO INC. AND SUBSIDIARIES • P.O. BOX 1441 • MINNEAPOLIS MN 55440-1441 • USA

Copyright 2010, Graco Inc. All Graco manufacturing locations are registered to ISO 9001.

www.graco.com
Revision J, May 2017