

Radiator Tip Extension Kit 256952 for HVLP EDGE Guns

313749A

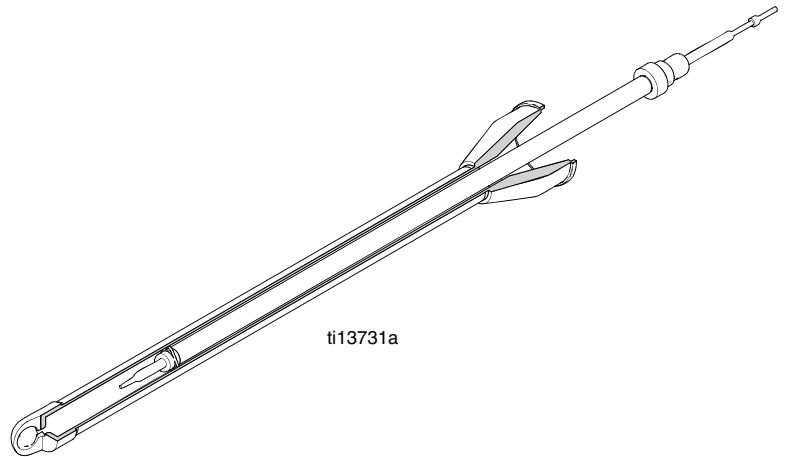
- This manual contains kit installation instructions only -

For use with the following gun models: 256855, 256856, 257092, 257388, 257827



IMPORTANT SAFETY INSTRUCTIONS

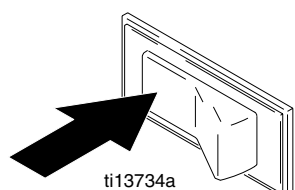
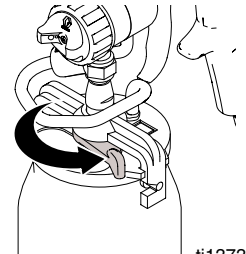
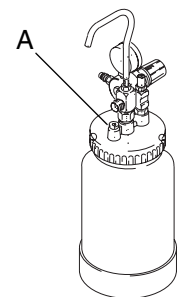
For detailed sprayer information and warnings, see Operation manual 313406 included with sprayer.



Pressure Relief Procedure



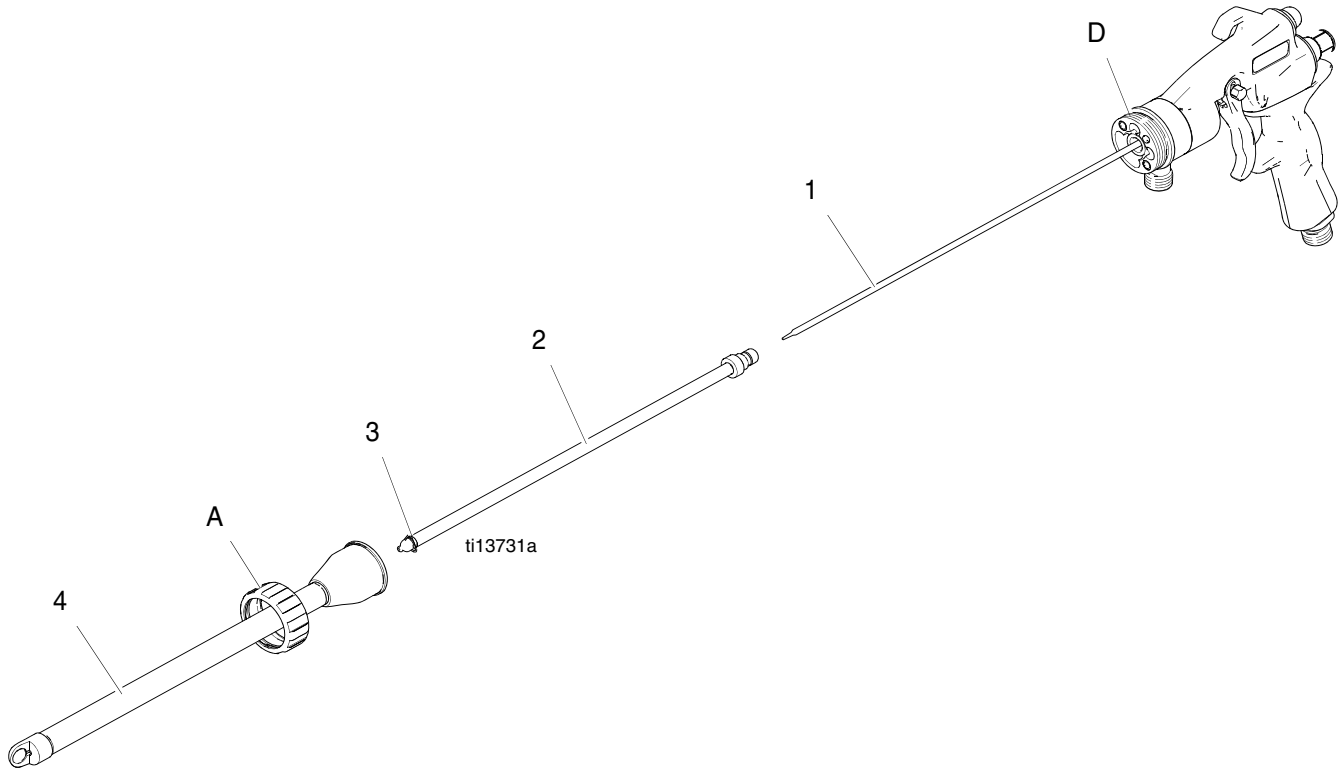
Relieve all fluid pressure in the system before you install, remove, or replace any parts. See the **Pressure Relief Procedure** below or refer to Operating instructions manual 313406.

		<p style="text-align: center;">OR</p> 
<p>1. Turn off turbine and air supply to gun.</p>	<p>2. Unlatch cup.</p>	<p>3. Open pressure relief (A) on pot until pressure is completely relieved. Close relief.</p>

Radiator Tip Extension Kit 256952



Relieve all fluid pressure in the system before you install, remove, or replace any parts. See the **Pressure Relief Procedure** on the cover or for more information refer to Operating instructions manual 313406.



1. Turn off air supply to gun.
2. **Relieve Pressure**, see cover.
3. Remove air cap retaining ring (A) and air cap housing by hand.
4. Remove needle (see gun manual).
5. Install needle (1) into front of gun.
6. Slide fluid nozzle (2) over needle (1).

7. Slide air tube (4) over fluid nozzle (2).
8. Slide air cap retaining ring (A) over air tube until it meets threaded end of gun (D). Hand tighten.

Ref.	Part	Describe	Qty.
1	257106	NEEDLE	1
2	257105	NOZZLE, fluid	1
3	116571	CLIP, nozzle	1
4	257104	TUBE, air	1

All written and visual data contained in this document reflects the latest product information available at the time of publication. Graco reserves the right to make changes at any time without notice.

This manual contains English. MM 313749

Graco Headquarters: Minneapolis
International Offices: Belgium, China, Japan, Korea
GRACO INC. P.O. BOX 1441 MINNEAPOLIS, MN 55440-1441
 Copyright 2008, Graco Inc. is registered to I.S. EN ISO 9001
 www.graco.com
 Copyright 2009