




GL-11[®] Injector

313704E
EN

For Single-Line Parallel Automatic Lubrication Systems. For professional use only.

Part No.: 24A918

3500 psi (24 MPa, 241 bar) Maximum Working Pressure

						
---	---	---	--	--	--	--

PRESSURE RELIEF PROCEDURE

Follow this procedure any time you are instructed to Relieve the Pressure; shut off the pump; clean or service any part of the system; or install or clean dispensing devices.

1. Disconnect power.
2. Disable air supply to pump by either:
 - Closing bleed-type air valve **OR**
 - Disconnecting quick disconnect air coupler on vent valve.

SKIN INJECTION HAZARD

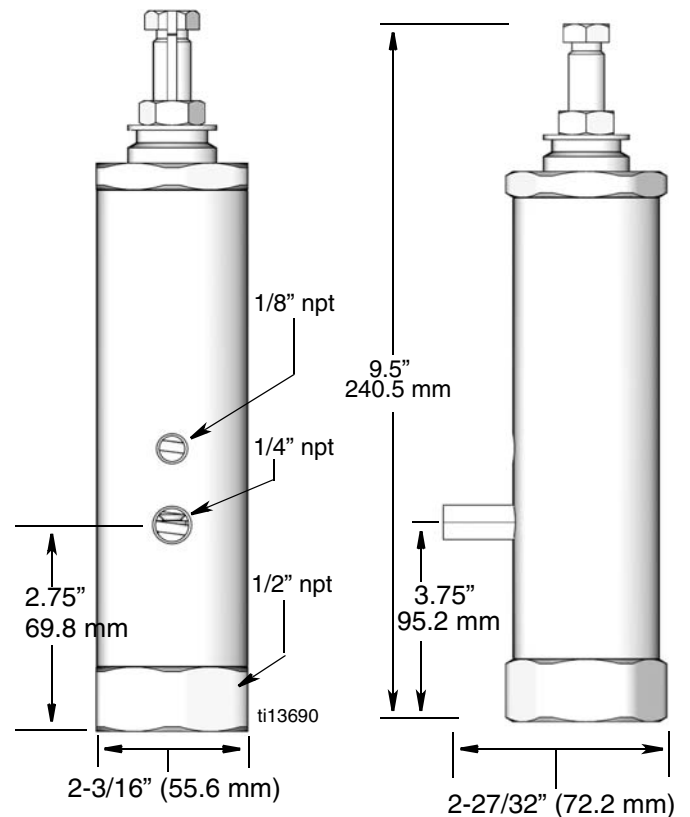
High-pressure fluid from gun or dispense valve, hose leaks, or ruptured components will pierce skin. This may look like just a cut, but it is a serious injury that can result in amputation. **Get immediate surgical treatment.**

- Do not point gun or dispense valve at anyone or at any part of the body.
- Do not put your hand over the dispense outlet.
- Do not stop or deflect leaks with your hand, body, glove, or rag.
- Follow **Pressure Relief Procedure**, when you stop dispensing and before cleaning, checking, or servicing equipment.



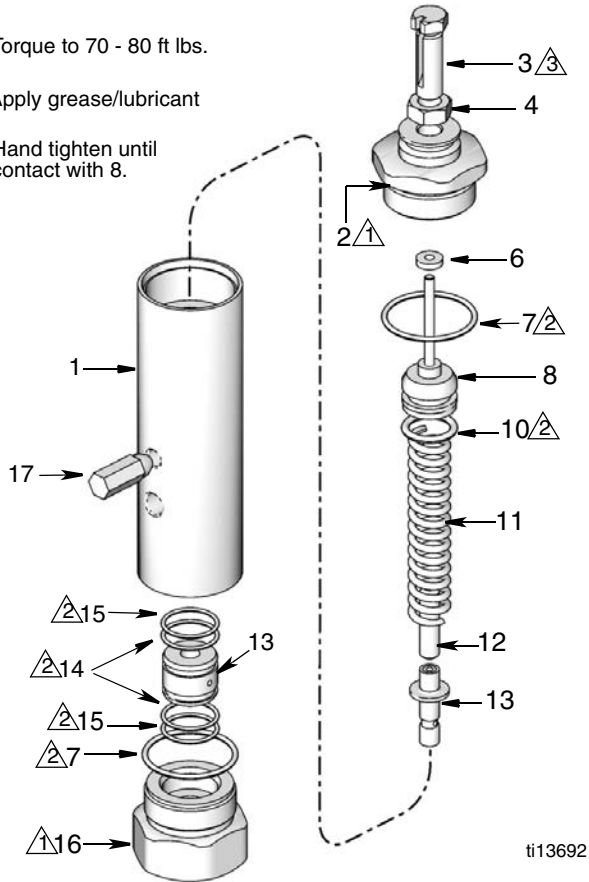
Important Safety Instructions

Read all warnings and instructions in this manual. See your Automatic Lubrication System Manual for complete Warnings, Installation, Operation and Troubleshooting instructions. Save all instructions.



Parts

- Torque to 70 - 80 ft lbs.
- Apply grease/lubricant
- Hand tighten until contact with 8.



Ref. No.	Part No.	Description	Qty.
1	15W653	HOUSING, injector	1
2	15W647	ADJUSTER, adapter	1
3	15W646	SCREW, adjusting	1
4	555303	NUT, jam, st 1/2-20	1
6*	122240	RING, sealing, valve	1
7*	122292	O-RING, inlet/outlet/adapter	2
8	24A916	PISTON, assembly	1
10*	122291	O-RING, piston	1
11*	122290	SPRING, injector	1
12	122293	SPACER, valve	1
13*	24B304	VALVE, honed	2
14*	122289	O-RING, valve body	2
15*	122288	RING, backup, piston	1
16	15W654	ADAPTER, inlet, injector	1
17	114916	KIT, fitting and cap, zerk	1

*Overhaul Kit 24B359 includes these parts.

Kits

24B359	KIT, overhaul, includes 5, 6, 7, 10, 11, 13, 14, 15	1
114916	KIT, fitting and cap, zerk	1

GL-11 Volume Adjustment Table

Description	Number of Turns	Volume	
		in. ³	cc
Maximum Adjustment †	0	0.500	8.19
360° Clockwise Turn	1	0.468	7.67
360° Clockwise Turn	2	0.435	7.13
360° Clockwise Turn	3	0.403	6.60
360° Clockwise Turn	4	0.371	6.08
360° Clockwise Turn	5	0.339	5.56
360° Clockwise Turn	6	0.307	5.03
360° Clockwise Turn	7	0.275	4.51
360° Clockwise Turn	8	0.243	3.98
360° Clockwise Turn	9	0.211	3.46
360° Clockwise Turn	10	0.178	2.92
360° Clockwise Turn	11	0.146	2.39
360° Clockwise Turn	12	0.114	1.87
360° Clockwise Turn	13	0.082	1.34
Minimum Adjustment	14	0.050	0.82

Technical Data

Maximum Working Pressure	3500 psi (24 MPa, 241 bar)
Minimum Operating Pressure	1000 psi (6.9 MPa, 69 bar)
Suggested Operating Pressure	2500 psi (17 MPa, 172 bar)
Reset Pressure	600 psi (4.1 MPa, 41 bar)
Output Volume Per Cycle	†Adjustable: 0.050 to 0.500 in. ³

Wetted Parts	Carbon steel, Stainless steel, Copper, Fluoroelastomer
Recommended fluids	Lubricant: NLGI 000 - NLGI #2
Inlet	1/2" - 14 npt
Outlet	1/4" - 18 npsf
Outlet	1/8" - 27 npsf

† Maximum adjustment setting is when adjusting screw (3) is just making contact with indicator pin (8) with no inlet pressure. Turn adjusting screw clockwise (in), to reduce output. To adjust, loosen lock nut (4) and turn adjusting screw (3) the number of turns indicated on the GL-11 Volume Adjustment Table to obtain the desired volume. Tighten lock nut (4) when desired volume setting is reached.

All written and visual data contained in this document reflects the latest product information available at the time of publication. Graco reserves the right to make changes at any time without notice.

Original instructions. This manual contains English. MM 313704

Graco Headquarters: Minneapolis
International Offices: Belgium, China, Japan, Korea

GRACO INC. AND SUBSIDIARIES • P.O. BOX 1441 • MINNEAPOLIS MN 55440-1441 • USA

Copyright 2009, Graco Inc. All Graco manufacturing locations are registered to ISO 9001.

www.graco.com
 Revised 11/2011