

G3 Pressure Relief Valve Adapter Kit

3A0522C
EN

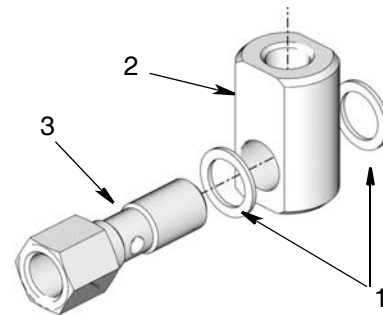
Used to install pressure relief valve which is used to alleviate unintended pressure rises in the system and protect the G3 pump. For professional use only.

Part Nos.: 571058, 571070



Important Safety Instructions

Read all warnings and instructions in this manual and the G3 Pump instruction manual included with your unit. Save these instructions.



Parts.

Ref.	Description	Qty	
		571058	571070
1	WASHER, sealing	2	2
2	FITTING, banjo, 1/4 npt	1	1
3	BOLT, banjo, 1/4 npt	1	0
	BOLT, banjo, 1/4 bspp	0	1

Instructions

Pressure Relief



SKIN INJECTION HAZARD

High-pressure fluid from dispense device, hose leaks, or ruptured components will pierce skin. This may look like just a cut, but it is a serious injury that can result in amputation. **Get immediate surgical treatment.**

Follow **Pressure Relief Procedure** in this manual, when you stop dispensing and before cleaning, checking, or servicing equipment.

Relieve pressure in system by using two wrenches working in opposite directions on pump element and pump element fitting to **only** loosen fitting.

NOTE: When loosening pump element fitting, do NOT loosen **pump element**. Loosening pump element will change the output volume.

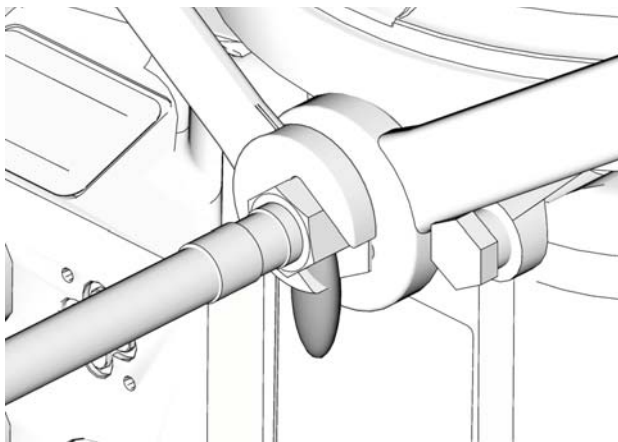


FIG. 1

Installation

Reference numbers used in these instructions correspond to parts included in Kit and are provided on page 1. Parts identified with an alpha character are user provided or already installed components.

1. Disconnect power source.
2. If unit has already been in service, relieve pressure, page 2.
3. Apply thread sealant (user supplied) to threads of pressure relief valve (a) (FIG. 2).

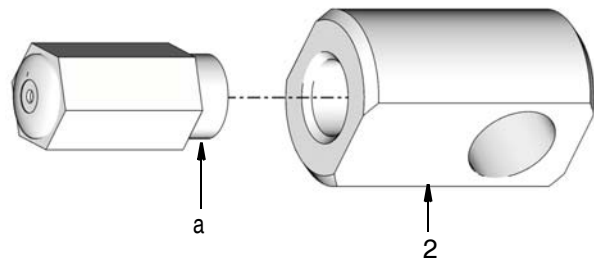


FIG. 2

4. Install pressure relief valve (a) into banjo fitting (2). Wrench tighten (FIG. 2).
5. Install one washer (1) over end banjo bolt (3). Then install banjo fitting (2) on banjo bolt, followed by the second washer (1) (FIG. 3).

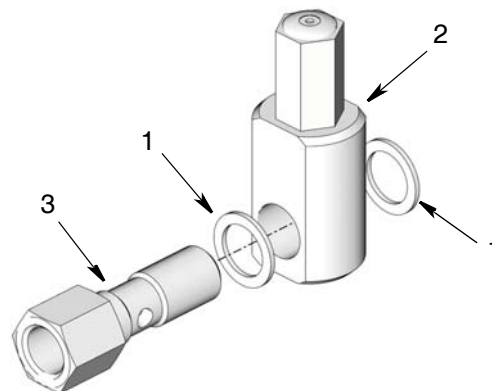


FIG. 3

6. Install banjo bolt (3) into pump element (b) (FIG. 4).

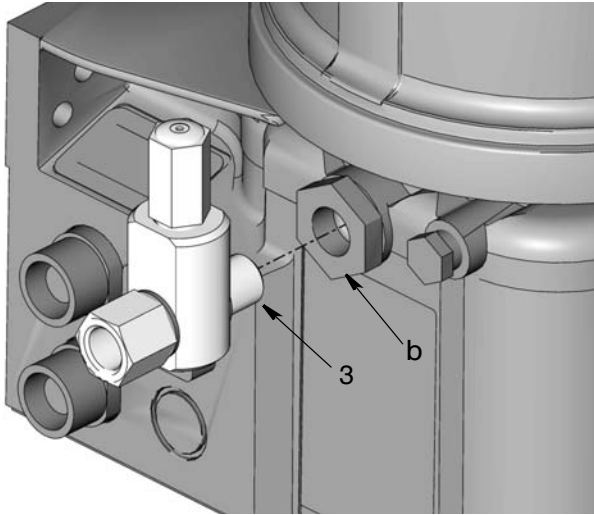


FIG. 4

7. Use two wrenches to tighten banjo bolt (3). Place one wrench on the pump element (b) and the second wrench over the end of the banjo bolt. Only tighten the banjo bolt while holding the pump element securely in place. Torque fitting to 35 ft. lbs (45.7 N•m). Take care to not over-tighten. (FIG. 5).

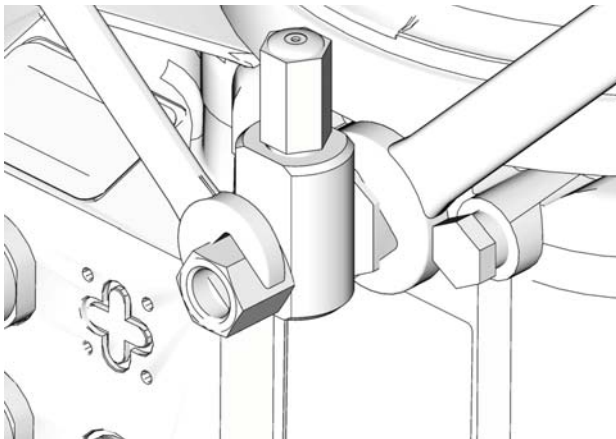


FIG. 5

*All written and visual data contained in this document reflects the latest product information available at the time of publication.
Graco reserves the right to make changes at any time without notice.*

Original instructions. This manual contains English. MM 3A0522

Graco Headquarters: Minneapolis

International Offices: Belgium, China, Japan, Korea

GRACO INC. P.O. BOX 1441 MINNEAPOLIS, MN 55440-1441

Copyright 2010, Graco Inc. is registered to ISO 9001

www.graco.com

Revised November 2014