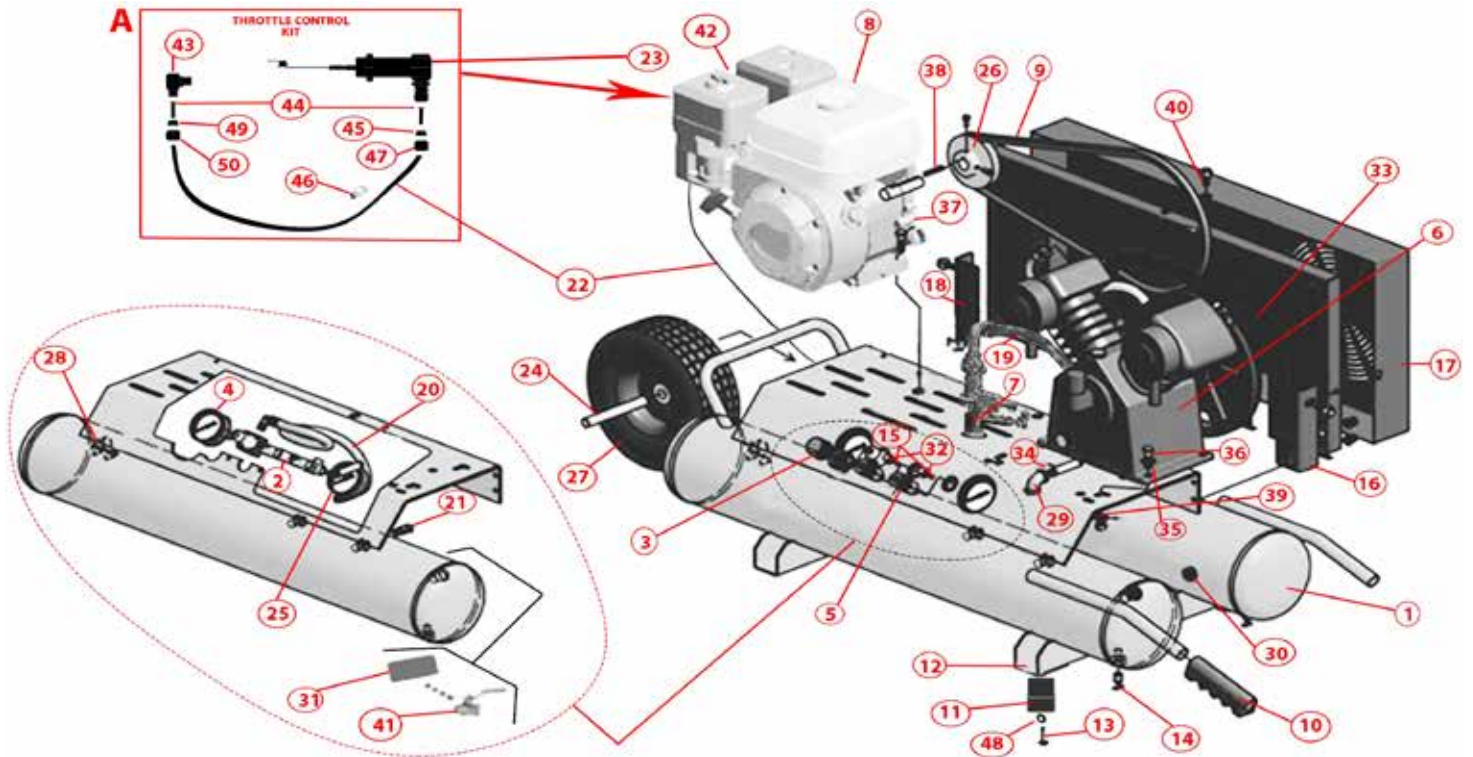


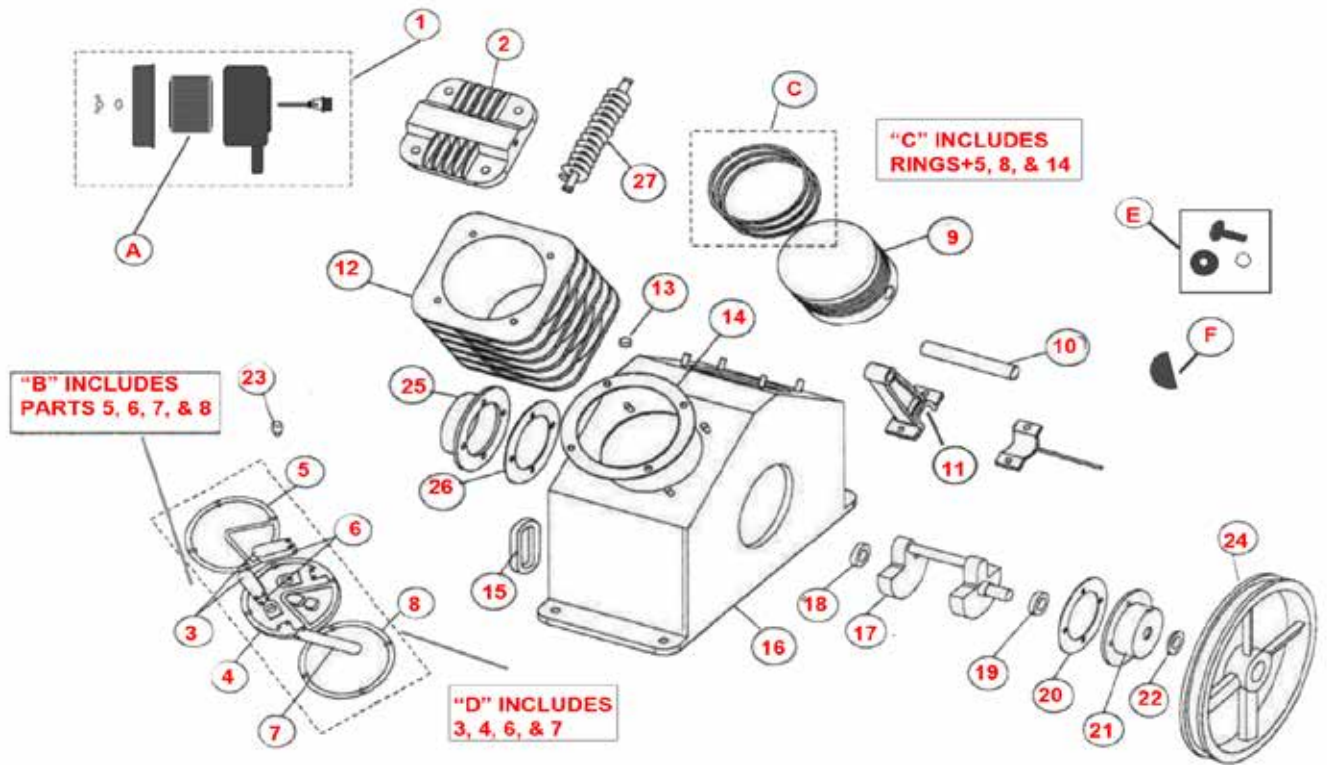


<b>Parts Breakdown</b>	<b>Serial No.</b>	<b>Manufacture date</b>	<b>Page</b>
<a href="#"><u>MAG5501G_New Ver.</u></a>	MGU11501 ~	From 21 December 2017	2
<a href="#"><u>MAG5501G_Old Ver.</u></a>	~ MGU11500	Till 20 December 2017	6
<a href="#"><u>GX-160UT2QX2-R</u></a>	-	-	9



Item No.	Type	Sub	Part No.	Description	Qty	Unit
001			10TT41X5-M	10 GALLON MAKITA HIGH ANGLE TANK	1	PC.
002			10TT-22	MANIFOLD	1	PC.
003			50008-93100	MANIFOLD REGULATOR	1	PC.
004			10TT-16	2 1/2" PRESSURE GAUGE 1/8" NPT LEFT SIDE	1	PC.
005			447013	QUICK COUPLER	2	PC.
006			<a href="#">PV02A</a>	2HP SINGLE STAGE AIR END PUMP	1	PC.
007			NRP-A-110-130	PILOT UNLOADER	1	PC.
008			GX-160UT2QX2-R	HONDA ENGINE	1	PC.
009			4L530	V-BELT	1	PC.
010			435017	RUBBER HANDLE GRIP	2	PC.
011			TT-FOOT-ETALL-1	RUBBER VIBRATION FOOT	4	PC.
012			001013	1/4" FLANGE NUT	4	PC.
013			10TT-26-1	1/4" X 20 X 2" BOLT FOR RUBBER VIBRATION FOOT	4	PC.
014			10TT-21	BACK SEATING DRAIN COCK	2	PC.
015			10TT-24	3/16" FLAT WASHER FOR MAKITA	2	PC.
016			TT-GUARD-BR-L	BELT GUARD BRACKET LEFT SIDE	1	PC.
017			TT-GUARD	BELT GUARD	1	PC.
018			TT-GUARD-BR-R	BELT GUARD BRACKET RIGHT SIDE	1	PC.
019	2		TU-20-AL	ALUMINUM 1/2" X 20" FINNED DISCHARGE TUBE	1	PC.
020			TT-HOSE-B	3/8" TT AIRHOSE BLUE	1	PC.
021			PSV1/4X170	RELIEF VALVE 1/4" 170 PSI	1	PC.
022			TU1/4BLK	BLACK TUBE 30"	1	PC.
023			TCSA-5565-NB	PNEUMATIC THROTTLE CONTROL	1	PC.
024			WA1001	ZINC PLATED WHEEL AXLE	1	PC.
025			10TT-17	MAKITA 2 1/2" PRESSURE GAUGE 1/4" NPT RIGHT	1	PC.
026			MA38X3/4	SHEAVE (PULLEY)	1	PC.
027			TT-WHEEL-SQFF12	WHEEL FOAM FILLED 12"	1	PC.
028			001020	COTTER PIN	2	PC.
029			EL1/4X90ELBOW	1/4" X 90° ELBOW	1	PC.
030			PL1/4	1/4" PLUG MALLEABLE IRON - MADE IN USA	1	PC.

Item No.	Type	Sub	Part No.	Description	Qty	Unit
031			BLOCKALUMN1/2"	1/2" ALUMINUM BLOCK	1	PC.
032			10TT-23	MAK-1/4" X 20" THREAD SCREW	2	PC.
033			10TT-25	PIPE CLAMP FOR DISCHARGE TUBE	2	PC.
034			NI1/4X21/2M	1/4" X 2 1/2" NIPPLE	1	PC.
035			001037	5/16" USS FLAT WASHER	4	PC.
036			001090	5/16" - 18 X 1.75 FLANGE BOLT	4	PC.
037			001005	5/16" X 1 1/4" G5 HEX BOLT	4	PC.
038			3/16X3/16X11/2	WOODRUFF KEY FOR ENGINE	1	PC.
039			001016	5/16" FLANGE NUT	8	PC.
040			001080	5/16" - 18 X 1/2" FLANGE BOLT	8	PC.
041			BV1/2MF	1/2" BALL VALVE	1	PC.
042			161871	M5 X 16 FLANGE BOLT	1	PC.
043			10TT-12	ELBOW 1/8" X 1/4"	1	PC.
044			001125	TUBE INSERT	2	PC.
045			001126	1/4" DELRIN COMPRESSION SLEEVE	1	PC.
046			0708753	CLAMP	1	PC.
047			69682	BRASS NUT	1	PC.
048			001027	5/16" FLAT WASHER	4	PC.
049			10TT-12-1	1/4" BRASS COMPRESSION SLEEVE	1	PC.
050		2	69682	BRASS NUT	1	PC.
052			TG-1.5	3/4" X 1 1/2" SQUARE LOOP TANK GUARD	1	PC.
053			ZT-04	4" ZIP TIE	1	PC.
A			MACPNEUMATICKIT	THROTTLE CONTROL KIT	1	PC.
		INC.		Item No. 22, 23, 43 - 47, 49, 50	1	PC.
		INC.	003203	GROMMET BLACK F/THROTTLE CONTROL	1	PC.

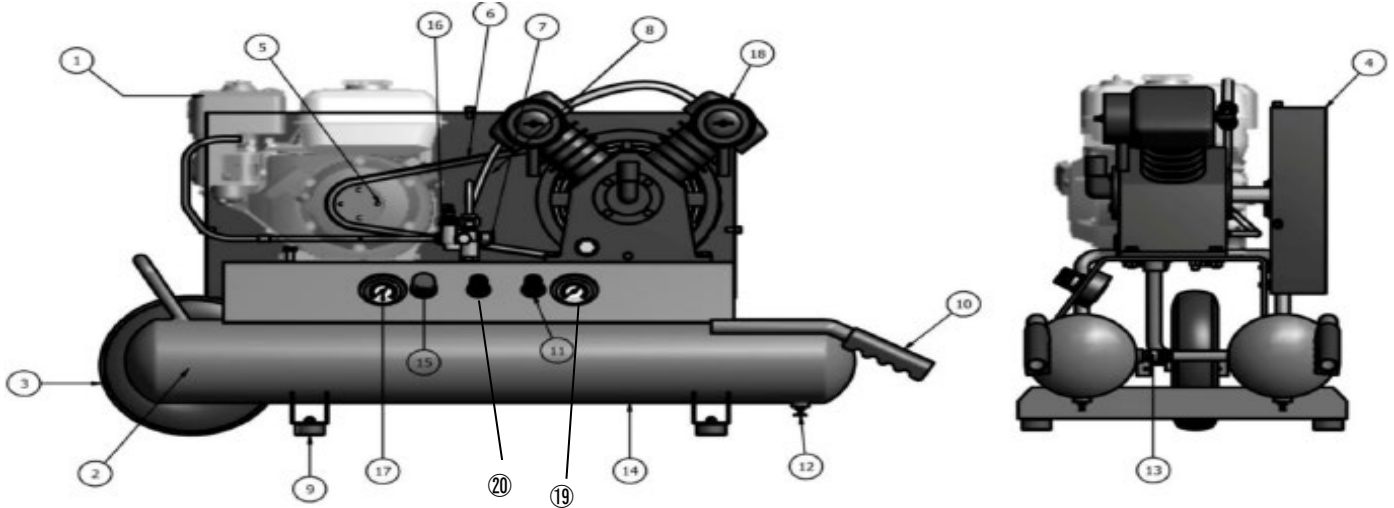


Item No.	Type	Sub	Part No.	Description	Qty	Unit
001			MAIF35	INTAKE FILTER ASSEMBLY	2	PC.
002			52122-0101	CYLINDER HEAD	2	PC.
003			51121-3102	LIFT LIMITER - DISCHARGE VALVE PLATE	4	PC.
004			52122-2101	VALVE SEAT	2	PC.
005			52122-2105	VALVE SEAT TO HEAD GASKET	2	PC.
006			51121-2103	DISCHARGE VALVE PLATE	4	PC.
007			52122-2103	INTAKE VALVE PLATE	2	PC.
008			52122-2104	VALVE SEAT TO CYLINDER GASKET	2	PC.
009			51122-5101	PISTON	2	PC.
010			51122-5112	PISTON PIN C/W SNAP RINGS	2	PC.
011			51122-5120	CONNECTING ROD C/W DIPPER	2	PC.
012			52122-4101	CYLINDER	2	PC.
013			51111-4719	OIL FILLER CAP	1	PC.
014			51122-4103	CYLINDER TO CRANKCASE GASKET	2	PC.
015			51111-4770	OIL SIGHT GLASS C/W GASKET	1	PC.
016			51122-4701	CRANKCASE	1	PC.
017			51122-4601	CRANKSHAFT	1	PC.
018			83501-6205	FRONT BEARING	1	PC.
019			83501-6205	REAR BEARING	1	PC.
020			51122-4704	CRANKCASE TO REAR BEARING HOUSING GASKET	1	PC.
021			51122-4703	REAR BEARING HOUSING	1	PC.
022			51122-4708	OIL SEAL	1	PC.
023			51111-4761	CRANKCASE BREATHER	1	PC.
024			51122-6601	FLYWHEEL	1	PC.
025			51122-4706	FRONT BEARING HOUSING	1	PC.
026			51122-4707	CRANKCASE TO FRONT BEARING HOUSING GASKET	1	PC.
027			51122-7710	CONNECTING (INTERSTAGE) TUBING	1	PC.
028			BCB-PV02	SCREW F/ REAR BEARING HOUSING (Item No. 21)	4	PC.
MISC.1			83610-113025	REAR BEARING SNAP RING	1	PC.
MISC.2			51121-7702	INTERSTAGE "Y" FITTING	1	PC.

Item No.	Type	Sub	Part No.	Description	Qty	Unit
MISC.3			51112-7701	INTERSTAGE "ELBOW" FITTING	1	PC.
MISC.4			EAOIL10	EAGLE OIL	1	PC.
A	1		MAIF35E	INTAKE FILTER ELEMENTS	2	PC.
	2		171006	INTAKE FILTER ELEMENTS	2	PC.
B			101000-165	VALVE REPAIR KIT INCLUDES:	2	PC.
		INC.	52122-2105	VALVE SEAT TO HEAD GASKET (ITEM 5)	1	PC.
		INC.	51121-2103	OUTLET VALVE PLATES (ITEM 6)	2	PC.
		INC.	52122-2103	INTAKE VALVE PLATE (ITEM 7)	1	PC.
		INC.	52122-2104	VALVE SEAT TO CYLINDER GASKET (ITEM 8)	1	PC.
		INC.	50000-2000	VALVE PLATE SCREWS	6	PC.
C			101000-265	RING REPAIR KIT INCLUDES:	2	PC.
		INC.	52122-2105	VALVE SEAT TO HEAD GASKET (ITEM 5)	1	PC.
		INC.	52122-2104	VALVE SEAT TO CYLINDER GASKET (ITEM 8)	1	PC.
		INC.	-----	COMPRESSION RINGS (N/A as individually)	2	PC.
		INC.	-----	OIL CONTROL RING (N/A as individually)	1	PC.
		INC.	51122-4103	CYLINDER TO CRANKCASE GASKET (ITEM 14)	1	PC.
D			52122-2100	VALVE PLATE ASSEMBLY	1	PC.
E			51122-6602	FLYWHEEL FASTENER KIT	1	PC.
F			51122-4606	WOODRUF KEY FOR PV02A PUMP	1	PC.



**MAC5501G\_OLD VERSION**  
 (Manufacture date till 20 December 2017,  
 Serial No. ~ MGU11500)



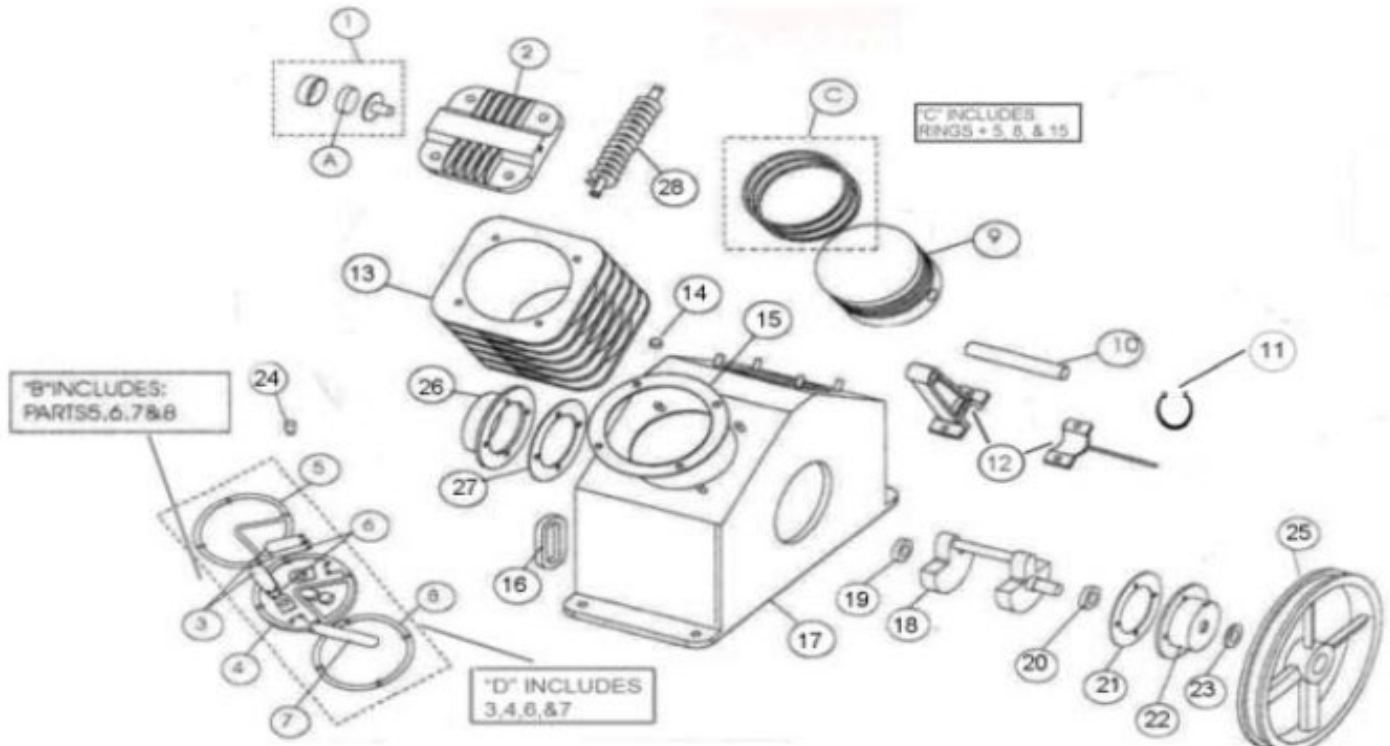
Item No.	Type	Sub	Part No.	Description	Qty	Unit
001			GX-160UT2QX2-R	GX160 UNIT2 HONDA ENGINE	1	PC.
002			WA1001	AXLE	1	PC.
003			TT-WHEEL-SQ-FF	FLAT FREE TIRE	1	PC.
004			TT-GUARD	BELT GUARD	1	PC.
005			MA38X3/4	PULLEY	1	PC.
			MA38X3/4-W.K	WOODRUFF KEY F/MA38X3/4	1	PC.
			1113	HH SET SCREW F/MA38X3/4	2	PC.
006	1		A49	V-BELT	1	PC.
006	2		4L530	V-BELT	1	PC.
007			TCLP-30	BULL WHIP (THROTTLE CONTROL)	1	PC.
008	1		TU-1/2-24/90/90	STAINLESS STEEL BRAIDED DISCHARGE TUBE	1	PC.
008	2		TU-20-AL	STAINLESS STEEL BRAIDED DISCHARGE TUBE	1	PC.
009			TT-FOOT	VIBRATION ISOLATOR	4	PC.
010			435017	HANDLE GRIP	2	PC.
011			10TT-8	1/4" UNIVERSAL QUICK COUPLER	2	PC.
012			10TT-21	DRAIN COCK	2	PC.
013			PSV1/4-150	SAFETY VALVE	1	PC.
014			10TT41X5-BLK	10 GALLON WHEELBARROW TANK, BULK	1	PC.
014			10TT41X5-M	10 GALLON WHEELBARROW TANK	1	PC.
015			50008-93100	MANIFOLD/REGULATOR	1	PC.
016			LMV100F	CHECK VALVE/ UNLOADER	1	PC.
017			10TT-16	PRESSURE GAUGE 1/8" LEFT SIDE	1	PC.
018			<a href="#">PV02A</a>	COMPRESSOR PUMP W/ FLYWHEEL *See Page 2	1	PC.
019			10TT-17	PRESSURE GAUGE 1/4" RIGHT SIDE	1	PC.
020			10TT-9	TRIPLE MANIFOLD BLOCK, SILVER	1	PC.

**FOR SECURING THE ENGINE TO FRAME**

100			001090	FLANGE BOLT	4	PC.
101			001016	NUT	4	PC.

# MAC5501G\_OLD VERSION PV02A

(Manufacture date till 20 December 2017,  
Serial No. ~ MGU11500)



Item No.	Type	Sub	Part No.	Description	Qty	Unit
001			MAIF35	INTAKE FILTER ASSY W/O RETAIL PACKAGING	2	PC.
		INC.	82513-0505	BUTTERFLY NUT	1	PC.
		INC.	----	GASKET - N/A individually	1	PC.
		INC.	----	Item No. A		
002			52122-0101	CYLINDER HEAD	2	PC.
-			81501-030845	SCREW (F/CYLINDER HEAD)	4	PC.
003			51121-3102	LIFT LIMITER - DISCHARGE VALVE PLATE	4	PC.
004			52122-2101	VALVE SEAT	2	PC.
005			52122-2105	VALVE SEAT TO HEAD GASKET	2	PC.
006			51121-2103	DISCHARGE VALVE PLATE	4	PC.
007			52122-2103	INTAKE VALVE PLATE	2	PC.
008			52122-2104	VALVE SEAT TO CYLINDER GASKET	2	PC.
009			51122-5101	PISTON	2	PC.
010			51122-5112	PISTON PIN C/W SNAP RINGS	2	PC.
011			51121-5107	SNAP RING	4	PC.
012			51122-5120	CONNECTING ROD C/W DIPPER	2	PC.
013			52122-4101	CYLINDER	2	PC.
014			51111-4719	OIL FILLER CAP	1	PC.
015			51122-4103	CYLINDER TO CRANKCASE GASKET	2	PC.
016			51111-4770	OIL SIGHT GLASS C/W GASKET	2	PC.
		INC.	----	O RING - N/A individually	1	PC.
017			51122-4701	CRANKCASE	1	PC.



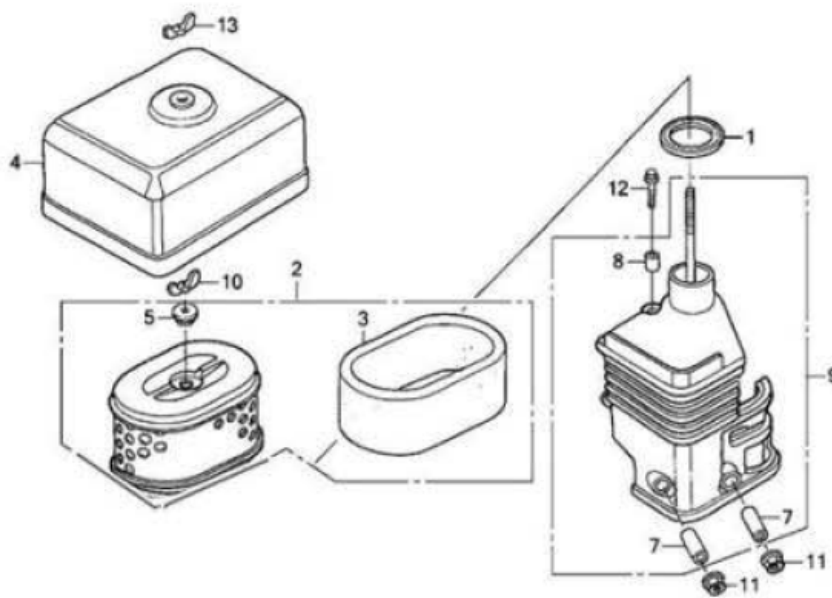
Item No.	Type	Sub	Part No.	Description	Qty	Unit
018			51122-4601	CRANKSHAFT	1	PC.
019			83501-6205	FRONT BEARING	1	PC.
020			83501-6205	REAR BEARING	1	PC.
021			51122-4704	CRANKCASE TO REAR BEARING HOUSING GASKET	1	PC.
022			51122-4703	REAR BEARING HOUSING	1	PC.
023			51122-4708	OIL SEAL	1	PC.
024			51111-4761	CRANKCASE BREATHER	1	PC.
025			51122-6601	FLYWHEEL	1	PC.
026			51122-4706	FRONT BEARING HOUSING	1	PC.
027			51122-4707	CRANKCASE TO FRONT BEARING HOUSING GASKET	1	PC.
028			51122-7710	CONNECTING (INTERSTAGE) TUBING	1	PC.
030			81501-030825	BOLT F/51122-6601 FLYWHEEL (Item No. 25)	1	PC.
031			81501-001026	LOCK WASHER F/51122-6601 FLYWHEEL (Item No. 25)	1	PC.
032			51111-6621	PULLEY WASHER F/51122-6601 FLYWHEEL (Item No. 25)	1	PC.
Misc			STREL1/4	1/4" STREET ELBOW (OIL DRAIN)	1	PC.
Misc			83610-113025	REAR BEARING SNAP RING	1	PC.
Misc			51121-7702	INTERSTAGE "Y" FITTING	1	PC.
Misc			51112-7701	INTERSTAGE "ELBOW" FITTING	1	PC.
Misc			EAOIL10	EAGLE OIL 1L	1	PC.
A	1		MAIF35E	INTAKE FILTER ELEMENT	1	PC.
	2		171006	AIR FILTER, ELEMENT ONLY	1	PC.
B			101000-165	VALVE REPAIR KIT	2	PC.
		INC.	52122-2105	VALVE SEAT TO HEAD GASKET (Item 5)	1	PC.
		INC.	51121-2103	DISCHARGE VALVE PLATE (Item 6)	2	PC.
		INC.	52122-2103	INTAKE VALVE PLATE (Item 7)	1	PC.
		INC.	52122-2104	VALVE SEAT TO CYLINDER GASKET (Item 8)	1	PC.
		INC.	50000-2000	VALVE PLATE SCREWS	6	PC.
C			101000-265	RING REPAIR KIT	2	PC.
		INC.	52122-2105	VALVE SEAT TO HEAD GASKET (Item 5)	1	PC.
		INC.	52122-2104	VALVE SEAT TO CYLINDER GASKET (Item 8)	1	PC.
		INC.	51122-4103	CYLINDER TO CRANKCASE GASKET (Item 16)	1	PC.
		INC.	----	COMPRESSION RINGS (N/A as individually)	2	PC.
		INC.	----	OIL CONTROL RING (N/A as individually)	1	PC.
D			52122-2100	VALVE PLATE ASSEMBLY	2	PC.
		INC.	51121-2103	DISCHARGE VALVE PLATE (Item 6)	2	PC.
		INC.	51121-3102	LIFT LIMITER - DISCHARGE VALVE VLATE (Item 3)	1	PC.
		INC.	52122-2101	VALVE SEAT (Item 4)	1	PC.
		INC.	51121-3101	METAL TRIANGLE	2	PC.
		INC.	50000-2000	VALVE PLATE SCREW	4	PC.





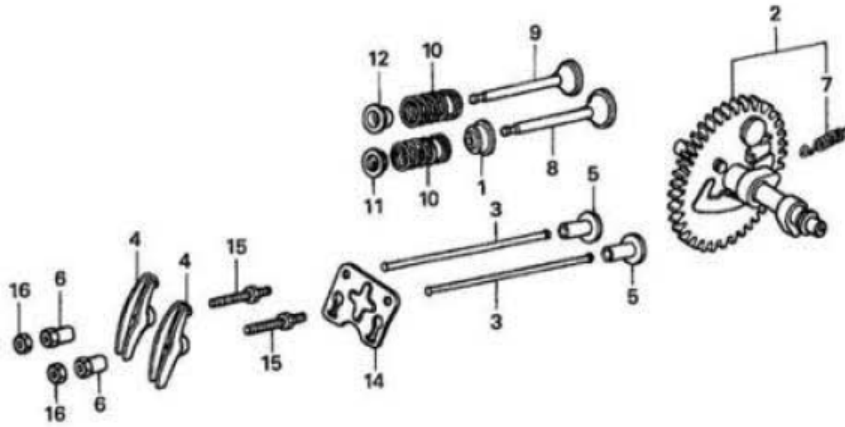
MAC5501G  
GX-160UT2QX2-R

AIR CLEANER (1)



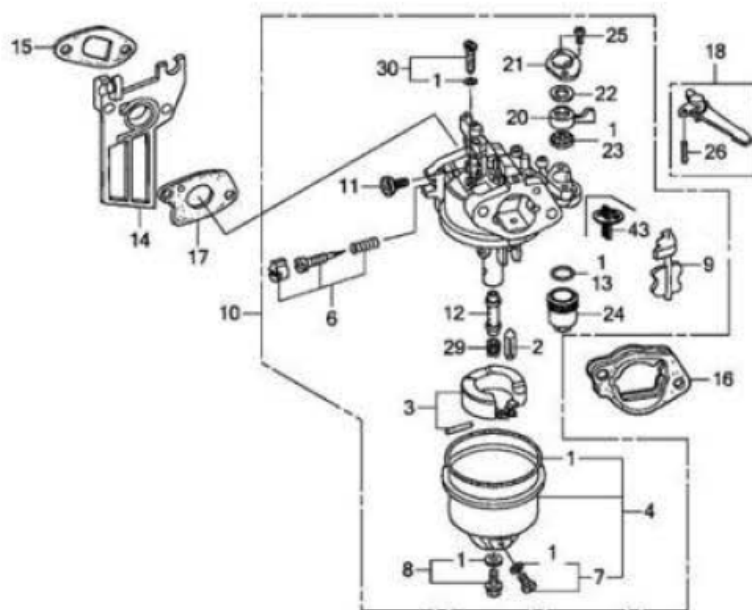
Item Nc	Type	Part No	Description	Qty	Unit
1-1		16271-ZE1-000	GASKET, ELBOW	1	PC.
1-2	2	17210-ZE1-517	ELEMENT, AIR CLEANER (DUAL)	1	PC.
	3	17210-Z4M-821	ELEMENT, AIR FILTER	1	PC.
1-3		17218-ZE1-507	FILTER (OUTER)	1	PC.
1-4		17231-Z4M-010	COVER, AIR CLEANER	1	PC.
1-5		17232-891-000	GROMMET, AIR CLEANER	1	PC.
1-7		17238-ZE7-010	COLLAR, AIR CLEANER	2	PC.
1-8		17239-ZE1-000	COLLAR B, AIR CLEANER	1	PC.
1-9		17410-Z4M-010	ELBOW, AIR CLEANER	1	PC.
1-10		90325-044-000	NUT, TOOL BOX SETTING	1	PC.
1-11		94050-06000	NUT, FLANGE (6MM)	2	PC.
1-12		95701-06020-00	BOLT, FLANGE (6X20)	1	PC.
1-13		90300-Z1V-000	NUT, AIR CLEANER	1	PC.

## CAMSHAFT



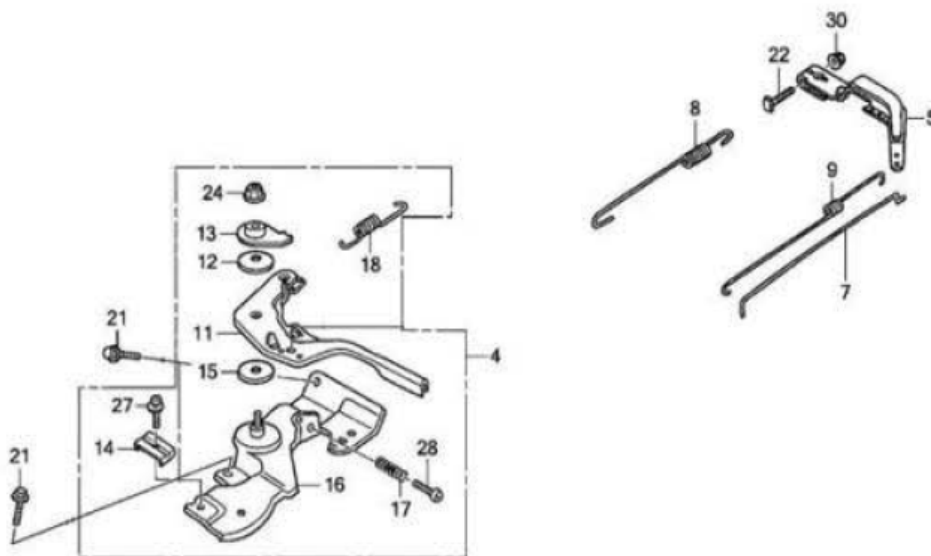
Item Nc Type	Part No	Description	Qty	Unit
2-1	12209-Z4M-801	SEAL, VALVE STEM	1	PC.
2-2	14100-Z4M-000	CAMSHAFT ASSY.	1	PC.
2-3	14410-Z4M-000	ROD, PUSH	2	PC.
2-4	14431-ZE1-000	ARM, VALVE ROCKER	2	PC.
2-5	14441-ZE1-010	LIFTER, VALVE	2	PC.
2-6	14451-ZE1-013	PIVOT, ROCKER ARM	2	PC.
2-7	14568-ZE1-000	SPRING, WEIGHT RETURN	1	PC.
2-8	14711-Z4M-000	VALVE, IN.	1	PC.
2-9	14721-Z4M-000	VALVE, EX.	1	PC.
2-10	14751-ZF1-000	SPRING, VALVE	2	PC.
2-11	14771-ZE1-000	RETAINER, IN. VALVE SPRING	1	PC.
2-12	14771-ZE1-000	RETAINER, IN. VALVE SPRING (EXHAUST SIDE)	1	PC.
2-14	14791-Z4M-000	PLATE, PUSH ROD GUIDE	1	PC.
2-15	90012-ZE0-010	BOLT, PIVOT (8MM)	2	PC.
2-16	90206-ZE1-000	NUT, PIVOT ADJUSTING	2	PC.

## CARBURETOR (2)



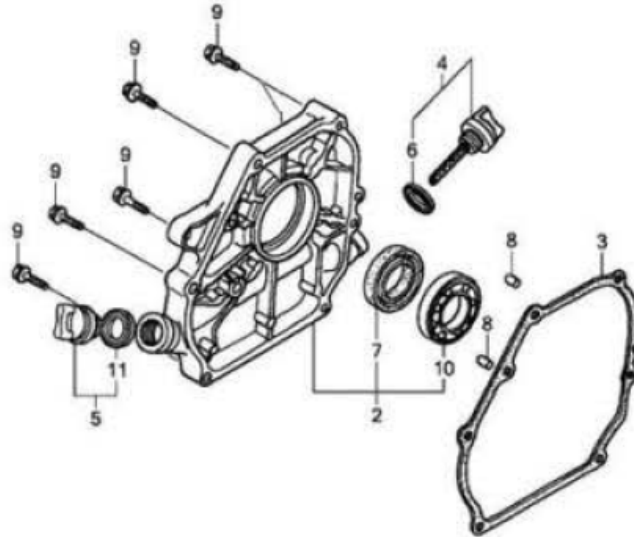
Item Nc Type	Part No	Description	Qty	Unit
3-1	16010-ZE1-812	GASKET SET	1	PC.
3-2	16011-ZE0-005	VALVE SET, FLOAT (SEAT NOT INCLUDED)	1	PC.
3-3	16013-Z0S-B01	FLOAT SET	1	PC.
3-4	16015-Z4M-911	CHAMBER SET, FLOAT	1	PC.
3-6	16016-ZH7-W01	SCREW SET, PILOT	1	PC.
3-7	16024-Z5T-901	SCREW SET, DRAIN	1	PC.
3-8	16028-Z5T-901	SCREW SET	1	PC.
3-9	16044-Z4M-911	CHOKE SET	1	PC.
3-10	16100-Z4M-922	CARBURETOR ASSY. (BE54D A)	1	PC.
3-11	16124-ZE0-005	SCREW, THROTTLE STOP	1	PC.
3-12	16166-Z4M-922	NOZZLE, MAIN	1	PC.
3-13 2	16075-GHB-B00	O RING	1	PC.
3-14	16211-Z4M-000	INSULATOR, CARBURETOR	1	PC.
3-15	16212-ZH8-800	GASKET, INSULATOR	1	PC.
3-16	16220-ZE1-020	SPACER, CARBURETOR	1	PC.
3-17	16221-ZH8-801	GASKET, CARBURETOR	1	PC.
3-18	16610-ZE1-000	LEVER, CHOKE (STD)	1	PC.
3-20	16953-ZE1-812	LEVER, PETCOCK	1	PC.
3-21	16954-ZE1-812	PLATE, LEVER SETTING	1	PC.
3-22	16956-ZE1-811	SPRING, PETCOCK LEVER	1	PC.
3-23	16957-ZE1-812	GASKET, PETCOCK	1	PC.
3-24	16967-ZE0-811	CUP, FUEL STRAINER	1	PC.
3-25	93500-03006-0H	SCREW, PAN (3X6)	2	PC.
3-26	94305-20122	PIN, SPRING (2X12)	1	PC.
3-29	99101-ZK7-0650	JET, MAIN (#65)	1	PC.
	99101-ZH8-0680	JET, MAIN (#68)	1	PC.
	99101-ZK7-0620	JET, MAIN (#62)	1	PC.
3-30	99204-ZE0-0350	JET SET, PILOT (#35)	1	PC.
3-43	16959-Z5T-901	FILTER, CUP	1	PC.

## CONTROL



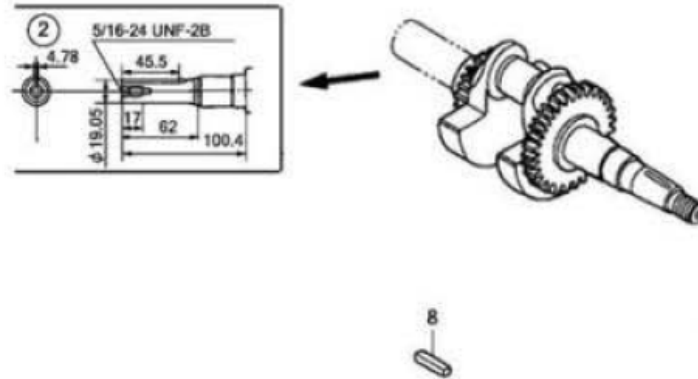
Item Nc	Type	Part No	Description	Qty	Unit
4-4	2	16500-Z4M-820	CONTROL ASSY	1	PC.
4-5		16551-Z4M-000	ARM, GOVERNOR	1	PC.
4-7		16555-Z4M-000	ROD, GOVERNOR	1	PC.
4-8		16561-Z4M-000	SPRING, GOVERNOR	1	PC.
4-9		16562-Z4M-000	SPRING, THROTTLE RETURN	1	PC.
4-11		16571-Z4M-000	LEVER, CONTROL	1	PC.
4-12		16574-ZE1-000	SPRING, LEVER	1	PC.
4-13		16575-ZH8-000	WASHER, CONTROL LEVER	1	PC.
4-14		16576-891-000	HOLDER, CABLE	1	PC.
4-15		16578-ZE1-000	SPACER, CONTROL LEVER	1	PC.
4-16		16580-Z4M-810	BASE, CONTROL	1	PC.
4-17		16584-883-300	SPRING, CONTROL ADJUSTING	1	PC.
4-18		16592-ZE1-810	SPRING, CABLE RETURN	1	PC.
4-21		90013-883-000	BOLT, FLANGE (6X12) (CT200)	2	PC.
4-22		90015-ZE5-010	BOLT, GOVERNOR ARM	1	PC.
4-24		90114-SA0-000	NUT, SELF-LOCK (6MM)	1	PC.
4-27		93500-05016-0A	SCREW, PAN (5X16)	1	PC.
4-28		93500-05025-0H	SCREW, PAN (5X25)	1	PC.
4-30		94050-06000	NUT, FLANGE (6MM)	1	PC.

## CRANKCASE COVER



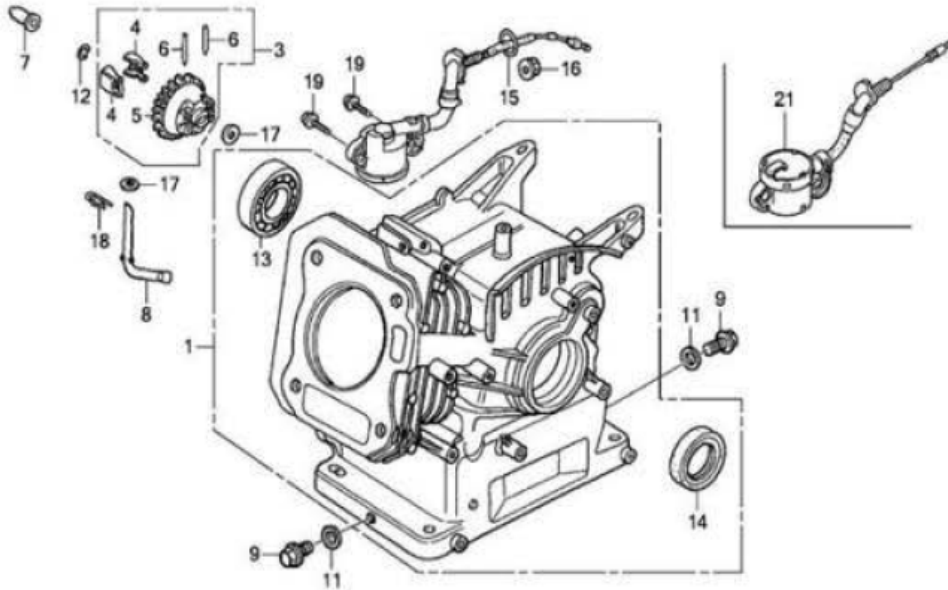
Item Nc Type	Part No	Description	Qty	Unit
5-2	11300-ZE1-642	COVER ASSY., CRANKCASE	1	PC.
	11300-Z4M-640	COVER ASSY., CRANKCASE	1	PC.
5-3	11381-ZH8-801	GASKET, CASE COVER (NON-ASB...	1	PC.
5-4	15600-Z0T-810	CAP ASSY., OIL FILLER	1	PC.
5-5	15600-Z0T-820	CAP ASSY., OIL FILLER	1	PC.
5-6	15625-Z0T-800	GASKET, OIL FILLER CAP	1	PC.
5-7	91201-Z0T-801	OIL SEAL (25X41X6)	1	PC.
5-8	94301-08140	PIN, DOWEL (8X14)	2	PC.
5-9	95701-08032-00	BOLT, FLANGE (8X32)	6	PC.
5-10	96100-62050-00	BEARING, RADIAL BALL (6205)	1	PC.
5-11	15625-Z0T-800	GASKET, OIL FILLER CAP	1	PC.

# CAMSHAFT



Item Nc Type	Part No	Description	Qty	Unit
6-2	13310-Z4M-800	CRANKSHAFT	1	PC.
6-8	90745-ZE1-600	KEY (4.78X4.78X38)	1	PC.

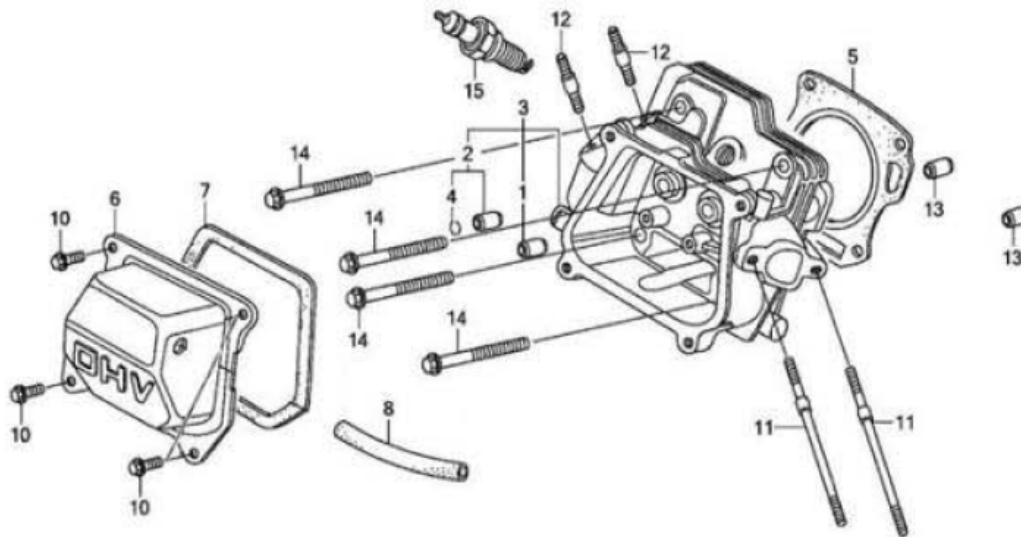
## CLYINDER BARREL



Item Nc Type	Part No	Description	Qty	Unit
7-1	12000-Z4M-406	CYLINDER ASSY. (OIL ALERT)	1	PC.
	12000-Z4M-416	CYLINDER ASSY. (OIL ALERT)	1	PC.
7-3	16510-Z4M-000	GOVERNOR ASSY.	1	PC.
7-4	16511-Z4M-000	WEIGHT, GOVERNOR	2	PC.
7-5	16512-Z4M-000	HOLDER, GOVERNOR WEIGHT	1	PC.
7-6	16513-ZE1-000	PIN, GOVERNOR WEIGHT	2	PC.
7-7	16531-Z4M-000	SLIDER, GOVERNOR	1	PC.
7-8	16541-Z4M-000	SHAFT, GOVERNOR ARM	1	PC.
7-9	90131-ZE1-000	BOLT, DRAIN PLUG	2	PC.
7-11	90601-ZE1-000	WASHER, DRAIN PLUG (10.2MM)	2	PC.
7-12	90602-ZE1-000	CLIP, GOVERNOR HOLDER	1	PC.
7-13	91001-Z4X-003	BEARING, RADIAL BALL (6205) (NSK)	1	PC.
	91001-ZF1-003	BEARING, RADIAL BALL (6205TMB) (NTN)	1	PC.
7-14	91201-Z0T-801	OIL SEAL (25X41X6)	1	PC.
7-15	91353-671-003	O-RING (14MM) (ARAI)	1	PC.
	91353-671-004	O-RING (14MM) (NOK)	1	PC.
7-16	94050-10000	NUT, FLANGE (10MM)	1	PC.
7-17	94101-06800	WASHER, PLAIN (6MM)	2	PC.
7-18	94251-08000	PIN, LOCK (8MM)	1	PC.
7-19	95701-06012-000	BOLT, FLANGE (6X12)	2	PC.
7-21	35480-Z0T-003	SWITCH ASSY., OIL LEVEL	1	PC.

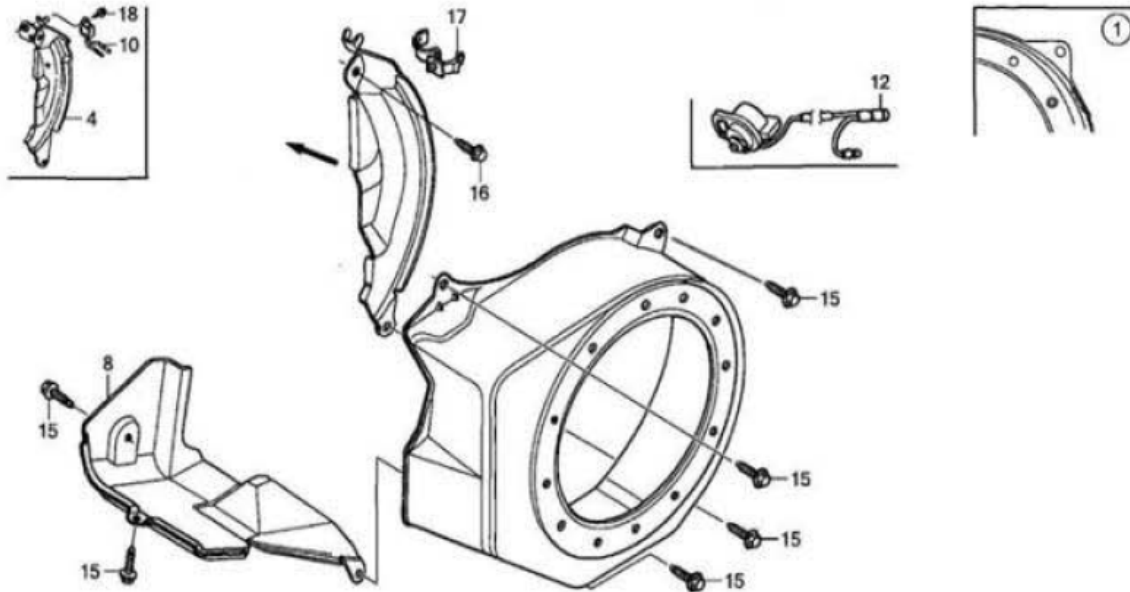


## CLYINDER HEAD



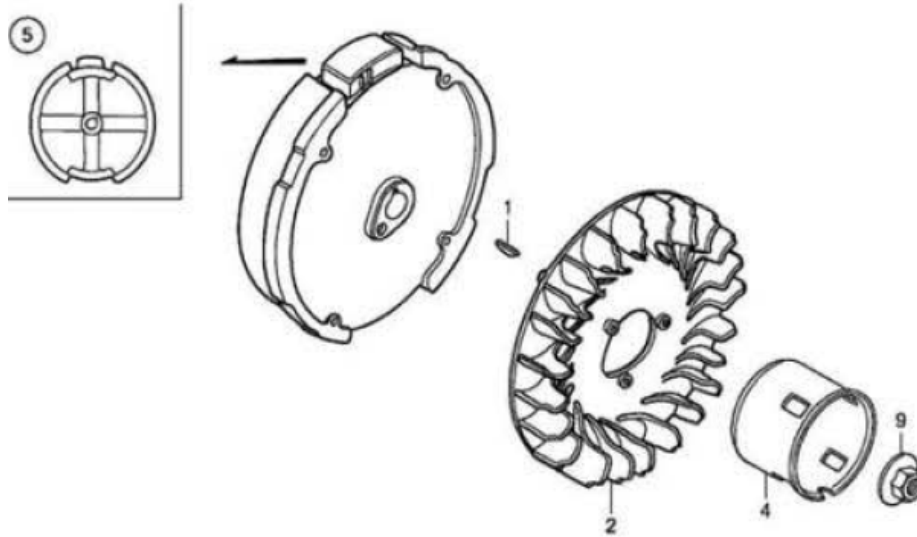
Item Nc	Type	Part No	Description	Qty	Unit
8-1		12204-ZE1-306	GUIDE, VALVE (OVER SIZE)	1	PC.
8-2		12205-ZE1-315	GUIDE, EX. VALVE (OVER SIZE)	1	PC.
8-3		12210-Z4M-405	CYLINDER HEAD	1	PC.
8-4		12216-ZE5-300	CLIP, VALVE GUIDE	1	PC.
8-5		12251-ZL0-003	GASKET, CYLINDER HEAD (NIPPON LEAKLESS)	1	PC.
8-6		12310-Z4M-000	COVER, HEAD	1	PC.
8-7		12391-ZE1-000	GASKET, HEAD COVER	1	PC.
8-8		15721-ZH8-000	TUBE, BREATHER	1	PC.
8-10		90013-883-000	BOLT, FLANGE (6X12) (CT200)	4	PC.
8-11		90043-ZE1-020	BOLT, STUD (6X112)	2	PC.
8-12		90047-ZE1-000	BOLT, STUD (8X32)	2	PC.
8-13		94301-10160	PIN, DOWEL (10X16)	2	PC.
8-14		95701-08060-00	BOLT, FLANGE (8X60)	4	PC.
8-15	2	065-01404-80	SPARK PLUG, BPR6ES	1	PC.
8-15	2	065-01402-80	SPARK PLUG, BPR5ES (NGK)	1	PC.

## FAN COVER



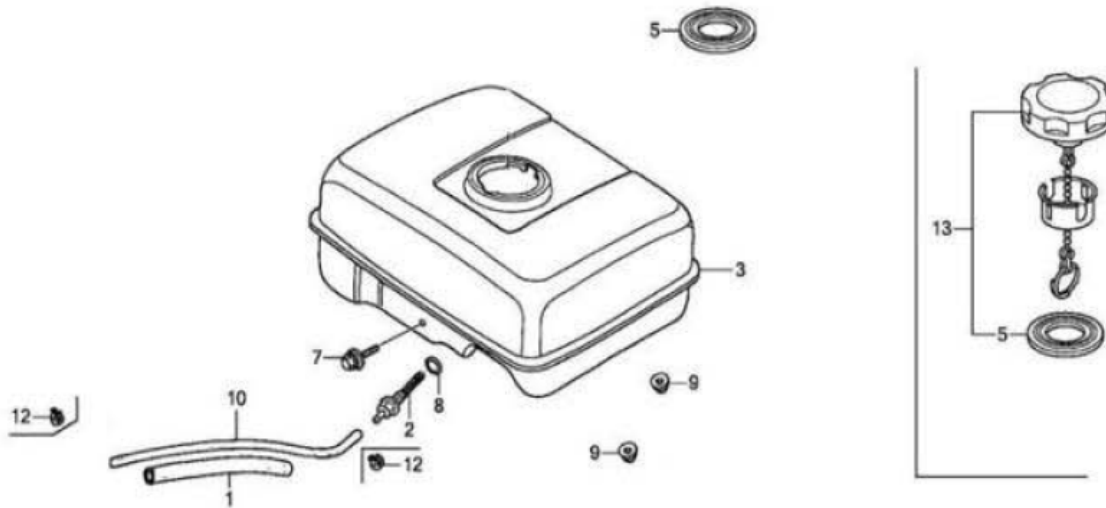
Item	Nc	Type	Part No	Description	Qty	Unit
9-1			19610-Z4M-000ZA	COVER, FAN *R280* (POWER RED)	1	PC.
			19610-Z4M-000ZB	COVER, FAN *NH1* (BLACK)	1	PC.
9-4			19611-Z4M-810	PLATE, SIDE (OIL ALERT)	1	PC.
9-8			19630-Z4M-000	SHROUD	1	PC.
9-10			34150-ZH7-023	ALERT UNIT, OIL	1	PC.
			34150-ZH7-013	ALERT UNIT, OIL	1	PC.
9-12	1		35120-Z0T-851	SWITCH ASSY., ENGINE STOP	1	PC.
9-12	2		35120-Z0T-831	SWITCH, ENGINE STOP	1	PC.
9-15			90013-883-000	BOLT, FLANGE (6X12) (CT200)	6	PC.
9-16			90022-888-010	BOLT, FLANGE (6X20) (CT200)	1	PC.
9-17			90601-ZH7-013	CLIP, HARNESS	1	PC.
9-18			95701-06008-00	BOLT, FLANGE (6X8)	1	PC.

## FLYWHEEL



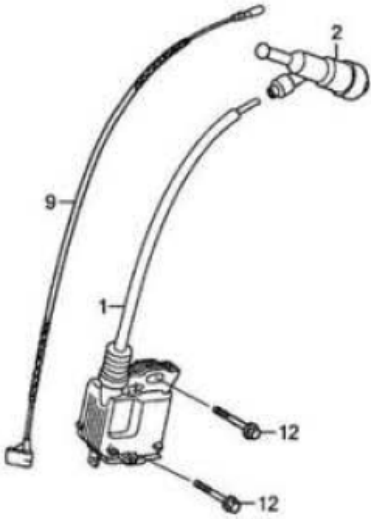
Item Nc Type	Part No	Description	Qty	Unit
10-1	13331-357-000	KEY, SPECIAL WOODRUFF (25X18)	1	PC.
10-2	19511-ZE1-000	FAN, COOLING	1	PC.
10-4	28451-ZH8-801	PULLEY, STARTER	1	PC.
10-5	31110-Z4M-000	FLYWHEEL	1	PC.
10-9	90201-Z0T-800	NUT, SPECIAL (14MM)	1	PC.

## FUEL TANK



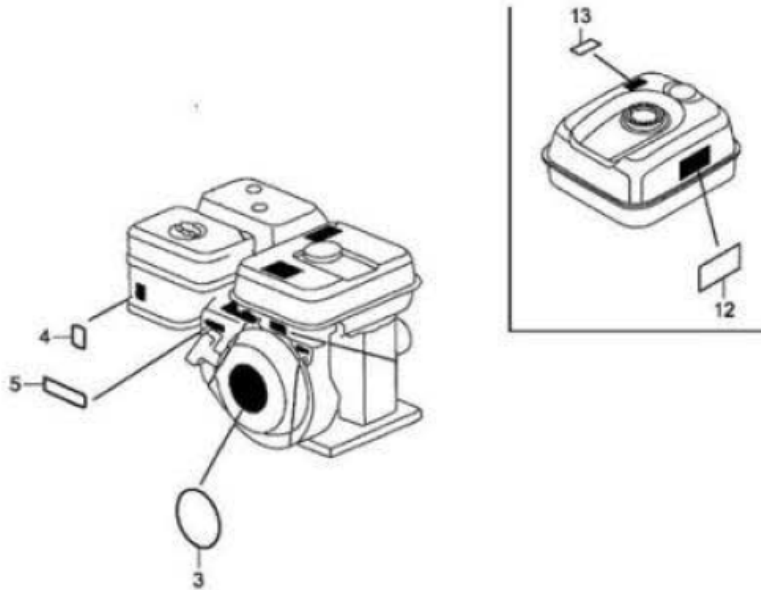
Item Nc Type	Part No	Description	Qty	Unit
11-1	16854-ZH8-000	RUBBER, SUPPORTER (107MM)	1	PC.
11-2	16955-ZE1-010	JOINT, FUEL TANK	1	PC.
11-3	17510-ZE1-030ZA	ANK, FUEL *NH31* (MCKINLEY WHITE)	1	PC.
	17510-ZE1-030ZF	TANK, FUEL *NH1* (BLACK)	1	PC.
11-5	17631-Z0T-801	GASKET, FUEL FILLER CAP (39X62X3) (RADICON)	2	PC.
11-7	90004-ZH7-003	BOLT, FLANGE (6X29)	1	PC.
11-8	91353-671-003	O-RING (14MM) (ARAI)	1	PC.
	91353-671-004	O-RING (14MM) (NOK)	1	PC.
11-9	94050-06000	NUT, FLANGE (6MM)	2	PC.
11-10	91424-Z4M-003	TUBE, FUEL (4.5X145) (FKM)	1	PC.
11-12	95002-4080008	CLAMP, TUBE (D8)	2	PC.
11-13 2	17620-Z4H-900	CAP, FUEL FILLER	1	PC.

# IGNITION COIL



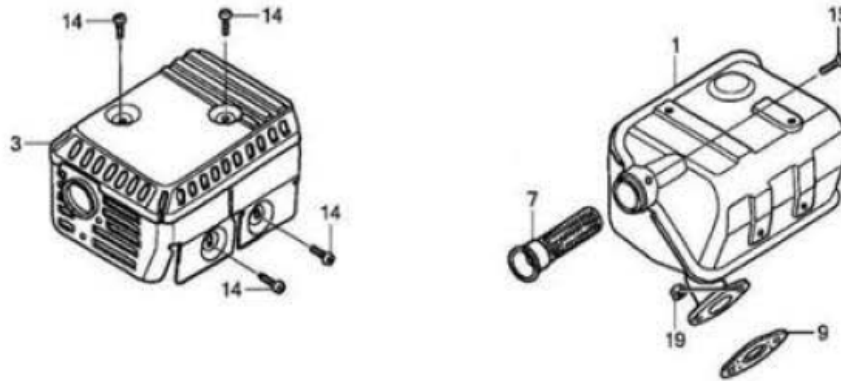
Item Nc	Type	Part No	Description	Qty	Unit
12-1	1	30500-Z0T-802	COIL ASSY., IGNITION	1	PC.
	2	30500-Z0T-003	COIL ASSY., IGNITION	1	PC.
12-2	2	30700-Z0T-821	CAP ASSY., NOISE SUPPRESSOR	1	PC.
12-9		36101-ZE1-010	WIRE, STOP SWITCH (370MM)	1	PC.
12-12		90121-952-000	BOLT, FLANGE (6X25) (CT200)	2	PC.

# LABEL



Item No	Type	Part No	Description	Qty	Unit
13-3		87521-Z4M-000	EMBLEM (GX160)	1	PC.
13-4		87528-Z4M-000	MARK, CHOKE	1	PC.
13-5		87532-ZH7-000	MARK, THROTTLE INDICATION	1	PC.
13-12		87516-Z4H-010	MARK, OPERATOR CAUTION (ENGLISH)(MADE IN	1	PC.
13-13		87539-Z4M-000	MARK, EX. CAUTION (ENGLISH)	1	PC.

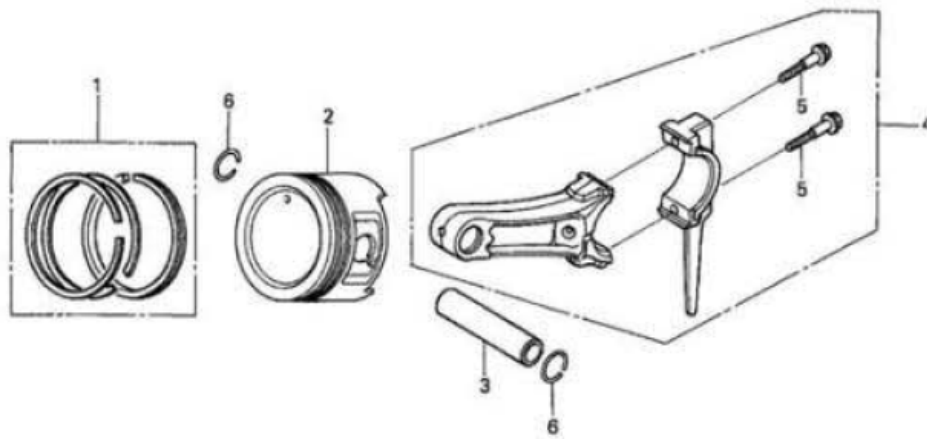
## MUFFLER (1)



Item Nc Type	Part No	Description	Qty	Unit
14-1	18310-Z4M-010	MUFFLER	1	PC.
	18310-Z4M-000	SEE PART DETAILS - SUP; MUFFLER	1	PC.
	18310-Z4M-810	SEE PART DETAILS - SUP; MUFFLER (ARRESTER)	1	PC.
	18310-Z4M-811	MUFFLER (ARRESTER)	1	PC.
14-3	18320-Z4M-000	PROTECTOR, MUFFLER (STD)	1	PC.
14-7	18355-ZE1-000	ARRESTER, SPARK	1	PC.
14-9	18381-Z0T-801	GASKET, MUFFLER	1	PC.
14-14	90050-ZE1-000	SCREW, TAPPING (5X8)	4	PC.
14-15	90055-ZE1-000	SCREW, TAPPING (4X6)	1	PC.
14-19	94001-08000-0S	NUT, HEX. (8MM)	2	PC.

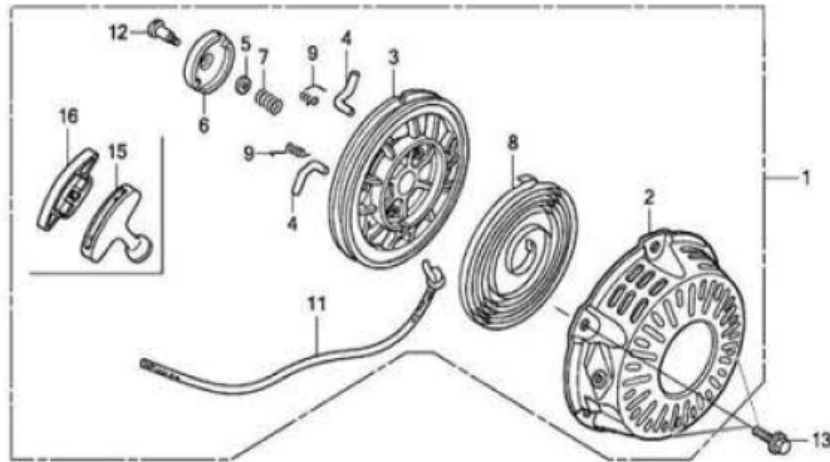


# PISTON



Item Nc Type	Part No	Description	Qty	Unit
15-1	13010-Z4M-801	RING SET, PISTON (STD) (RIKEN)	1	PC.
	13011-Z4K-004	RING SET, PISTON (0.25) (TPR)	1	PC.
	13011-Z4M-003	RING SET, PISTON (0.25) (RIKEN)	1	PC.
	13012-Z4K-004	RING SET, PISTON (0.50) (TPR)	1	PC.
	13012-Z4M-003	RING SET, PISTON (0.50) (RIKEN)	1	PC.
	15-2	13101-Z4M-800	PISTON (STD)	1
13102-Z4M-800		PISTON (0.25)	1	PC.
13103-Z4M-800		PISTON (0.50)	1	PC.
15-3	13111-Z4M-000	PIN, PISTON	1	PC.
15-4	13200-Z4M-000	ROD ASSY., CONNECTING	1	PC.
15-5	90001-Z4M-000	BOLT, CONNECTING ROD (6X34.5)	2	PC.
15-6	90551-ZE1-000	CLIP, PISTON PIN (18MM)	2	PC.

## RECOIL STARTER



Item Nc Type	Part No	Description	Qty	Unit
16-1	28400-Z4M-305ZB	STARTER ASSY., RECOIL *R280* (COO)(FOR U.S.A.)	1	PC.
	28400-Z4M-003ZC	STARTER ASSY., RECOIL *NH1*	1	PC.
	28400-Z4M-305ZD	STARTER ASSY., RECOIL *NH1*	1	PC.
16-2	28410-Z4M-003ZB	CASE, RECOIL STARTER *R280* (POWER RED)	1	PC.
	28410-Z4M-003ZD	CASE, RECOIL STARTER *NH1* (BLACK)	1	PC.
16-3	28421-Z0T-003	REEL, RECOIL STARTER (BLACK)	1	PC.
16-4	28422-ZH8-801	RATCHET, STARTER	2	PC.
16-5	28431-ZH8-801	PLATE, FRICTION	1	PC.
16-6	28433-ZH8-801	GUIDE, RATCHET	1	PC.
16-7	28441-ZH8-801	SPRING, FRICTION	1	PC.
16-8	28442-ZH8-003	SPRING, RECOIL STARTER	1	PC.
16-9	28443-ZH8-801	SPRING, RETURN	2	PC.
16-11	28462-ZH8-003	ROPE, RECOIL STARTER	1	PC.
16-12	90003-ZH8-801	SCREW, SETTING	1	PC.
16-13	90008-ZE2-003	BOLT, FLANGE (6X10)	3	PC.
16-15	28461-Z4M-305	KNOB, RECOIL STARTER (COO)(FOR U.S.A.)	1	PC.
	28461-Z4M-003	KNOB, RECOIL STARTER	1	PC.
16-16	28463-Z4M-003	KNOB, REINFORCEMENT	1	PC.