

G1 Pump USP Valve Kit

333499B

EN

USP Valve Kit parts for G1 pump. For professional use only.

Part Nos.:

24V (DIN) USP Valve Kits:

- 24V659 - 6 pt
- 24V660 - 8 pt
- 24V661 - 10 pt
- 24V662 - 12 pt
- 24V663 - 14 pt
- 24V664 - 16 pt

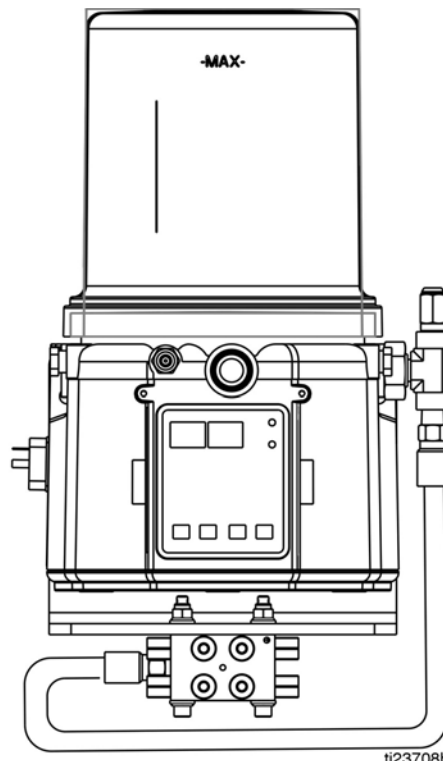
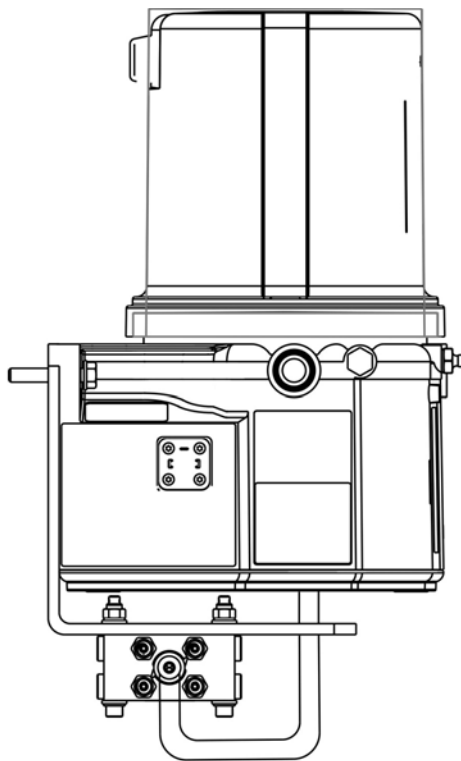
AC (DIN) USP Valve Kits:

- 24V680 - 6 pt
- 24V681 - 8 pt
- 24V682 - 10 pt
- 24V683 - 12 pt
- 24V684 - 14 pt
- 24V685 - 16 pt



Important Safety Instructions



Read all warnings and instructions in this manual and in the G1 Pump and USP Valve instruction manuals. Save all instructions.



ti23708b

Warnings

The following warnings are for the setup, use, grounding, maintenance, and repair of this equipment. The exclamation point symbol alerts you to a general warning and the hazard symbols refer to procedure-specific risks. When these symbols appear in the body of this manual or on warning labels, refer back to these Warnings. Product-specific hazard symbols and warnings not covered in this section may appear throughout the body of this manual where applicable.

⚠ WARNING	
	<p>ELECTRIC SHOCK HAZARD</p> <p>This equipment must be grounded. Improper grounding, setup, or usage of the system can cause electric shock.</p> <ul style="list-style-type: none"> • Turn off and disconnect power at main switch before disconnecting any cables and before servicing or installing equipment. • Connect only to grounded power source. • All electrical wiring must be done by a qualified electrician and comply with all local codes and regulations.
	<p>SKIN INJECTION HAZARD</p> <p>High-pressure fluid from dispensing device, hose leaks, or ruptured components will pierce skin. This may look like just a cut, but it is a serious injury that can result in amputation. Get immediate surgical treatment.</p> <ul style="list-style-type: none"> • Do not point dispensing device at anyone or at any part of the body. • Do not put your hand over the fluid outlet. • Do not stop or deflect leaks with your hand, body, glove, or rag. • Follow the Pressure Relief Procedure when you stop dispensing and before cleaning, checking, or servicing equipment. • Tighten all fluid connections before operating the equipment. • Check hoses and couplings daily. Replace worn or damaged parts immediately.

Pressure Relief



Follow the Pressure Relief Procedure whenever you see this symbol.



This equipment stays pressurized until pressure is manually relieved. To help prevent serious injury from pressurized fluid, such as skin injection, splashing fluid and moving parts, follow the Pressure Relief Procedure when you stop spraying and before cleaning, checking, or servicing the equipment.

Relieve pressure in system using two wrenches working in opposite directions on pump element and pump element fitting to **slowly loosen fitting only** until fitting is loose and no more lubricant or air is leaking from fitting.

NOTE: When loosening pump element fitting, do NOT loosen **pump element**. Loosening pump element will change the output volume.

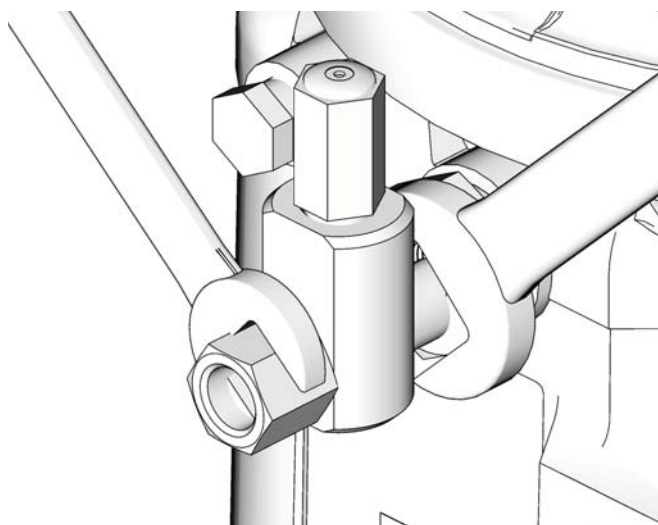


FIG. 1

Installation Instructions (FIG. 2)

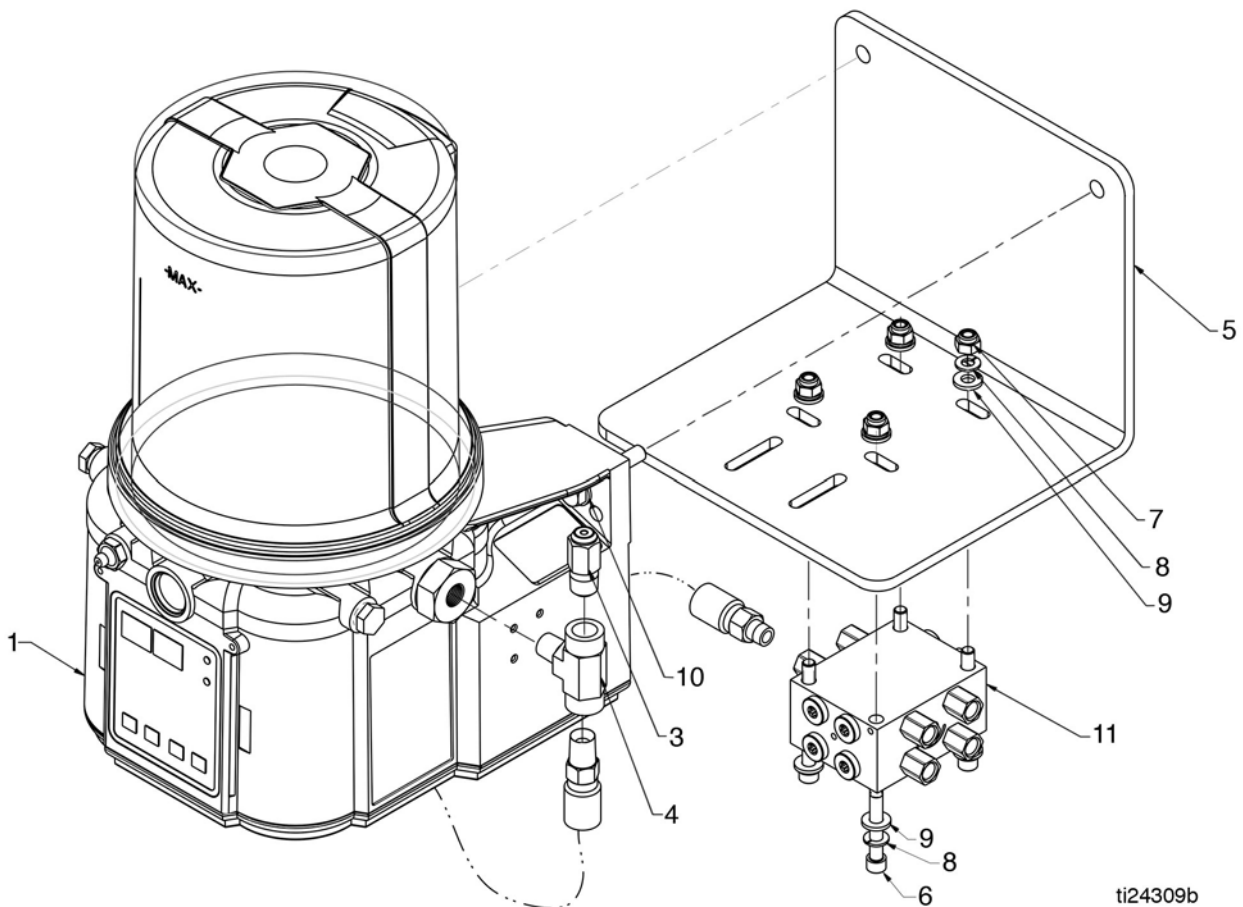


1. If pump is already installed, **Relieve Pressure**, page 2 and disconnect power to pump.

NOTE: For first-time pump installations, begin installation instructions with Step 2.

2. Mount USP block (11) to bracket (5) using screws (6), lock washers (8), flat washers (9) and nuts (8) (included in the kit) as shown.

3. Apply thread sealant to threads of tee (4). Install tee into pump (1). Wrench tighten securely.
4. Install relief valve (3) into tee (4). Wrench tighten securely.
5. Install hose (13) to USP block (11) inlet. Install other end of hose to tee fitting (4).
6. Install USP outlet fitting (12) into each outlet. Torque to 4-6 ft-lbs (5.4-8.1 N•m).



ti24309b

FIG. 2

Parts

24V USP Valve Kits

Ref	Part	Description	Qty
1	94G027	PUMP, G1-G-24PL-2L0L00-0D000000	1
2	16U790	CABLE, DIN, bare leads, power, 15 feet	1
3	563161	VALVE, relief, 3000 psi (206.8 bar, 20.68 MPa)	1
4	556407	FITTING, tee, STL 1/4 NPTF male	1
5	127665	BRACKET, mounting, USP to G1	1
6	101950	SCREW, shcs 1/4 X 2.5 inch	4
7	100016	WASHER, lock	8
8	102040	NUT, lock, hex	4
9	556525	WASHER, flat spcl finish	8
10	24P101	KIT, mounting hardware	1
11	24E406	KIT, valve, USP, 6 outlet, Model 24V659	1
	24E407	KIT, valve, USP, 8 outlet, Model 24V660	1
	24E408	KIT, valve, USP, 10 outlet, Model 24V661	1
	24E409	KIT, valve, USP, 12 outlet, Model 24V662	1
	24E410	KIT, valve, USP, 14 outlet, Model 24V663	1
	24E411	KIT, valve, USP, 16 outlet, Model 24V664	1
12	24E232	FITTING, outlet, USP, Model 24V659	6
		Model 24V660	8
		Model 24V661	10
		Model 24V662	12
		Model 24V663	14
		Model 24V664	16
13	17C693	HOSE, coupled, 1/8-27, NPSF	1

AC USP Valve Kits

Ref	Part	Description	Qty
1	94G051	PUMP, G1-G-ACPL-2L0L00-0D000000	1
2	16U790	CABLE, DIN, bare leads power, 15 feet	1
3	563161	VALVE, relief, 3000 psi (206.8 bar, 20.68 MPa)	1
4	556407	FITTING, tee STL 1/4 NPTF male	1
5	127665	BRACKET, mounting, USP to G1	1
6	101950	SCREW, shcs 1/4 X 2.5 inch	4
7	100016	WASHER, lock	8
8	102040	NUT, lock, hex	4
9	556525	WASHER, flat spcl finish	8
10	24P101	KIT, mounting hardware	1
11	24E406	KIT, valve, USP, 6 outlet, Model 24V680	1
	24E407	KIT, valve, USP, 8 outlet, Model 24V681	1
	24E408	KIT, valve, USP, 10 outlet, Model 24V682	1
	24E409	KIT, valve, USP, 12 outlet, Model 24V683	1
	24E410	KIT, valve, USP, 14 outlet, Model 24V684	1
	24E411	KIT, valve, USP, 16 outlet, Model 24V685	1
12	24E232	FITTING, outlet, USP, Model 24V680	6
		Model 24V681	8
		Model 24V682	10
		Model 24V683	12
		Model 24V684	14
		Model 24V685	16
13	17C693	HOSE, coupled, 1/8-27, NPSF	1

Graco Information

For the latest information about Graco products, visit www.graco.com.

For patent information, see www.graco.com/patents.

TO PLACE AN ORDER, contact your Graco distributor or call to identify the nearest distributor.

Phone: 612-623-6928 **or Toll Free:** 1-800-533-9655, **Fax:** 612-378-3590

*All written and visual data contained in this document reflects the latest product information available at the time of publication.
Graco reserves the right to make changes at any time without notice.*

Original instructions. This manual contains English. MM 333499

Graco Headquarters: Minneapolis

International Offices: Belgium, China, Japan, Korea

GRACO INC. AND SUBSIDIARIES • P.O. BOX 1441 • MINNEAPOLIS MN 55440-1441 • USA

Copyright 2014, Graco Inc. All Graco manufacturing locations are registered to ISO 9001.

www.graco.com

Revised to B; September 2014