

INSTRUCTIONS-PARTS LIST



306-460

Rev. E
Supercedes D



This manual contains important warnings and information.
READ AND KEEP FOR REFERENCE.

INSTRUCTIONS

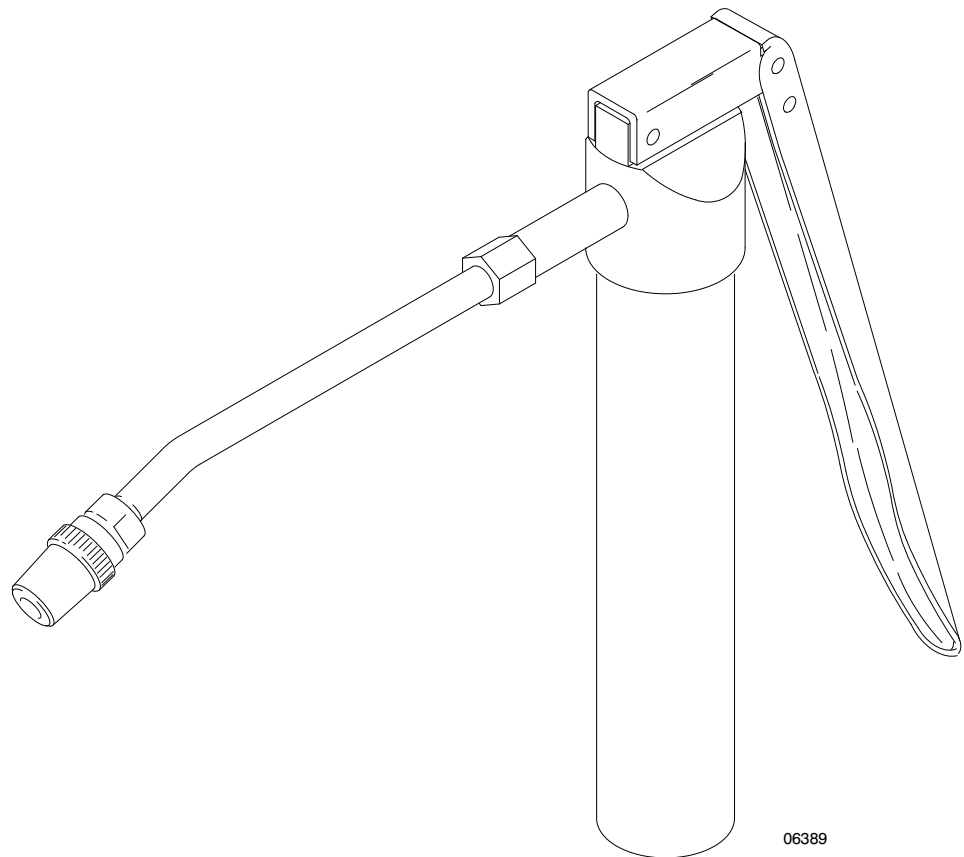
Detachable-type

LUBRICATOR GUN

10,000 psi (700 bar) Maximum Delivery Pressure

Model 203-697, Series E

3.5 oz. (100 gram) reservoir capacity



06389

GRACO INC. P.O. BOX 1441 MINNEAPOLIS, MN 55440-1441

©COPYRIGHT 1996, GRACO INC.

Graco Inc. is registered to I.S. EN ISO 9001

Table of Contents

Warnings	2	Technical Data	8
Operation	4	Graco Phone Number	8
Service	6	Graco Warranty	8
Parts	7		

Symbols

Warning Symbol




This symbol alerts you to the possibility of serious injury or death if you do not follow the instructions.

Caution Symbol



This symbol alerts you to the possibility of damage to or destruction of equipment if you do not follow the instructions.

WARNING

 INSTRUCTIONS	<h3>EQUIPMENT MISUSE HAZARD</h3> <p>Equipment misuse can cause the equipment to rupture or malfunction and result in serious injury.</p> <ul style="list-style-type: none">• This equipment is for professional use only.• Read all instruction manuals, tags, and labels before operating the equipment.• Use the equipment only for its intended purpose. If you are not sure, call your Graco distributor.• Do not alter or modify this equipment.• Check equipment daily. Repair or replace worn or damaged parts immediately.• Handle hoses carefully. Do not pull on hoses to move equipment.• Route hoses away from traffic areas, sharp edges, moving parts, and hot surfaces. Do not expose Graco hoses to temperatures above 66°C (150°F) or below -40°C (-40°F).• Comply with all applicable local, state, and national fire, electrical, and safety regulations.• Use only hand-powered pumps to fill the booster gun with lubricant.
--	---

WARNING



INJECTION HAZARD

Spray from the valve, leaks or ruptured components can inject fluid into your body and cause extremely serious injury, including the need for amputation. Fluid splashed in the eyes or on the skin can also cause serious injury.



- Fluid injected into the skin might look like just a cut, but it is a serious injury. **Get immediate medical attention.**
- Do not point the valve at anyone or at any part of the body.
- Do not put your hand or fingers over the grease fitting coupler.
- Do not stop or deflect leaks with your hand, body, glove or rag.
- Tighten all fluid connections before operating the equipment.
- Check the hoses, tubes, and couplings daily. Replace worn or damaged parts immediately. Do not repair high pressure couplings; you must replace the entire hose.



TOXIC FLUID HAZARD

Hazardous fluid or toxic fumes can cause serious injury or death if splashed in the eyes or on the skin, inhaled, or swallowed.

- Know the specific hazards of the fluid you are using.
- Store hazardous fluid in an approved container. Dispose of hazardous fluid according to all local, state and national guidelines.
- Always wear protective eyewear, gloves, clothing and respirator as recommended by the fluid and solvent manufacturer.

Operation

⚠ WARNING

The maximum delivery pressure of the lubricator gun, when charged and disconnected from the dispenser, is 10,000 psi (700 bar). Fluid emitted under such high pressure can cause serious injury. See the warnings on page 3.

NOTE: Numbers and letters in parenthesis refer to callouts in the Figures and Parts Drawing.

Filling the Gun (See Fig. 1)

⚠ WARNING

To avoid serious injury, use only hand-powered pumps to fill this gun with lubricant.

1. Connect a hose from the hand-powered lubricant supply pump to the grease fitting (2).
2. *Without squeezing the handle (12),* pump the supply pump handle until lubricant flows through the adapter (A).
3. Disconnect the supply hose by twisting the coupler to one side.

⚠ CAUTION

To avoid damaging the coupler, *do not pull it straight off.* Make sure that you twist the coupler while removing it.

Operating the Gun

1. Wipe clean the coupler (A) and the grease fitting on the part you are lubricating.
2. Connect the coupler and fitting.
3. **Continuous delivery:**
Keep the supply pump hose connected to the gun. Squeeze the gun handle and continue pumping the supply pump handle to provide a constant flow of fluid.

High pressure delivery, or remote dispensing:

Be sure the supply hose is disconnected. Squeeze and release the gun handle one or more times until the part is well lubricated.

⚠ WARNING

Never force lubricant into a fitting. If the lubricant is not flowing, or the coupler clogs, **STOP DISPENSING IMMEDIATELY.** Forcing lubricant may cause excessive back pressure, which could cause component rupture and serious injury. Replace damaged grease fittings.

NOTE: Most “frozen” fittings are caused by dirt, rust, scale, poor lubrication, or neglect. Replace damaged fittings before continuing.

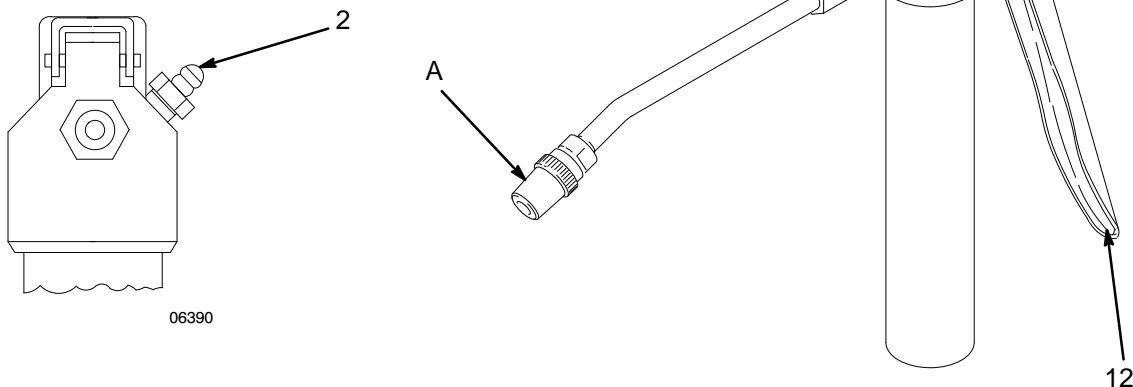


Fig. 1

06389

Service

Problem:

Lubricant continues to flow with the gun-handle released.

Solution: (See Parts Drawing on page 7)

1. Unscrew the extension (1) from the adapter (15).
2. Unscrew the retainer (8).
3. Remove the spring (7) and the ball (3).

NOTE: If you remove the adapter (15) from the gun, be careful not to lose the other ball (3).

4. Clean all parts, including the seat area inside the adapter (15). Replace damaged or worn parts.
5. Reassemble the gun. To reseal the ball (3), hold it against the seat with a brass rod and tap with a hammer. Screw the retainer in as far as possible, then back it out two or three full turns.

Problem:

The action of the gun-handle is soft or spongy when pumped.

Solution: (See Parts Drawing on page 7)

 CAUTION

To avoid damaging the reservoir tube (19) <i>Do not</i> use a wrench to hold it.
--

1. Hold the reservoir tube (19) and unscrew the valve head (24).
2. Unscrew the ball seat (16) and remove the ball (3) and gasket (22*).
3. Clean and inspect all parts. Replace damaged or worn parts.
4. Reassemble the gun.

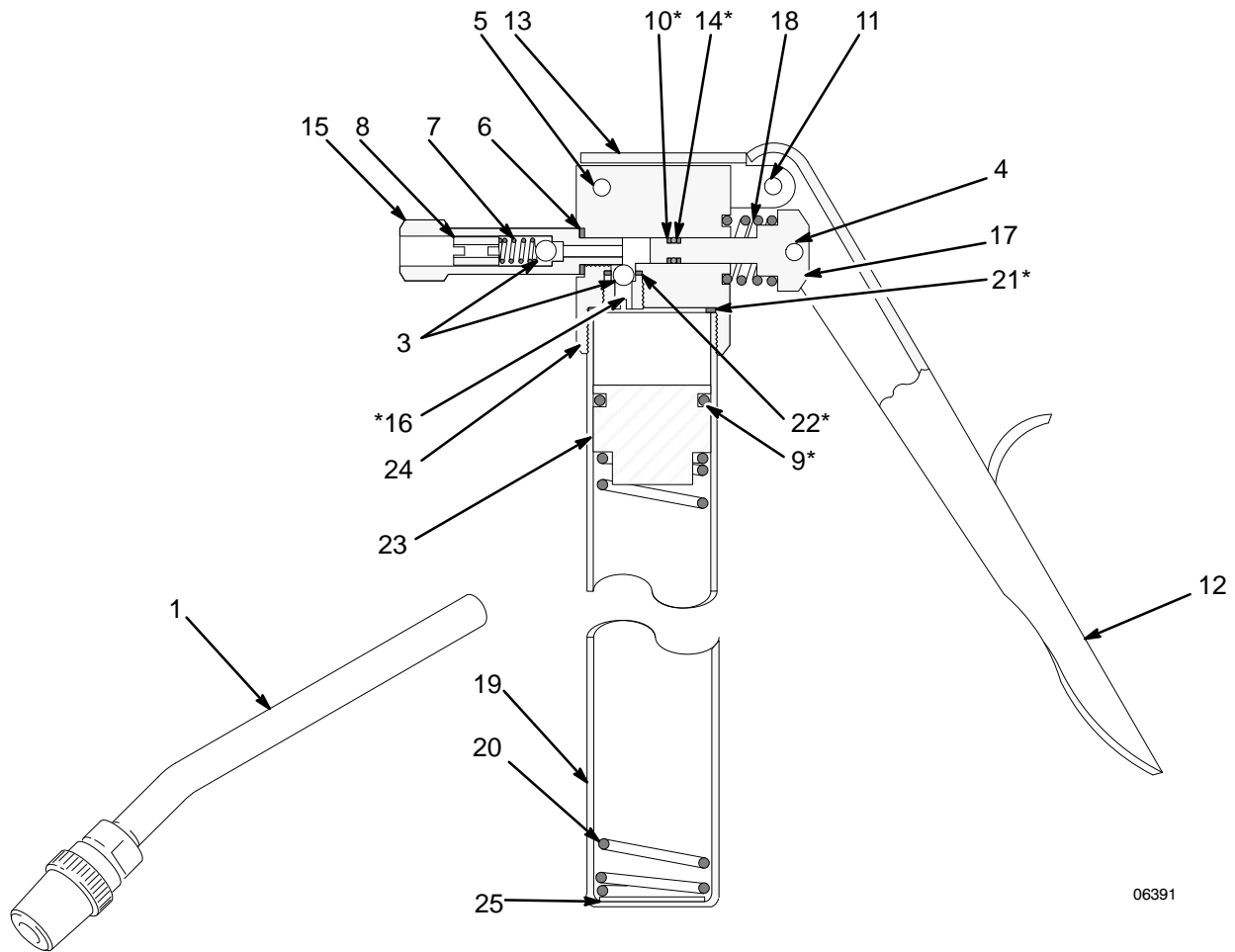
Problem:

Grease leaks around the top of the piston.

Solution:

1. Remove the cotter pin (4) and pivot pin (11).
2. Swing the gun-handle (12) outward. Remove the piston (17).
3. Clean and inspect all parts. Replace worn or damaged parts.
4. Install a new o-ring (10*) on the piston and reassemble the gun.

Parts



06391

Ref. No.	Part No.	Description	Qty.	Ref. No.	Part No.	Description	Qty.
1	200-389	HYDRAULIC ADAPTER ASSY see manual 306-708 for parts	1	15	160-059	ADAPTER, outlet	1
2	105-290	FITTING, grease; 1/8 npt	1	16*	160-060	SEAT, ball	1
3	100-069	BALL, steel; 1/4" dia.	2	17	160-061	PISTON, valve	1
4	101-421	PIN, cotter; 1/16" dia. x 3/8" long	2	18	160-062	SPRING, compression	1
5	101-532	ROLL PIN; 3/6" dia. x 7/8" long	1	19	160-064	TUBE, reservoir	1
6	150-540	GASKET, copper	1	20	160-065	SPRING, compression	1
7	154-482	SPRING, compression	1	21*	160-066	GASKET	1
8	154-487	RETAINER, spring	1	22*	160-079	GASKET, copper	1
9*	154-662	O-RING	1	23	162-273	PISTON, reservoir	1
10*	158-486	O-RING	1	24	162-275	HEAT, booster valve	1
11	160-052	PIN, pivot	2	25	162-448	WASHER	1
12	160-055	HANDLE, booster valve	1				
13	160-056	CLEVIS	1				
14*	160-058	PACKING, o-ring retainer	1				

* Recommended tool box spare parts. Keep these spare parts on hand to reduce down time

Manual Change Summary

This manual has been revised electronically.

Technical Data

Graco Phone Number

Maximum Delivery Pressure 10,000 psi (700 bar)
Height 10 in. (254 mm)
Width 4.75 in. (119 mm)
Weight 2.5 lb (1.1 kg)

TO PLACE AN ORDER, contact your Graco distributor, or call this number to identify the distributor closest to you: **1-800-367-4023 Toll Free**

The Graco Warranty and Disclaimers

WARRANTY

Graco warrants all equipment listed in this manual which is manufactured by Graco and bearing its name to be free from defects in material and workmanship on the date of sale by an authorized Graco distributor to the original purchaser for use. Graco will, for a period of twelve months from the date of sale, repair or replace any part of the equipment determined by Graco to be defective. This warranty applies only when the equipment is installed, operated and maintained in accordance with Graco's written recommendations.

This warranty does not cover, and Graco shall not be liable for general wear and tear, or any malfunction, damage or wear caused by faulty installation, misapplication, abrasion, corrosion, inadequate or improper maintenance, negligence, accident, tampering, or substitution of non-Graco component parts. Nor shall Graco be liable for malfunction, damage or wear caused by the incompatibility of Graco equipment with structures, accessories, equipment or materials not supplied by Graco, or the improper design, manufacture, installation, operation or maintenance of structures, accessories, equipment or materials not supplied by Graco.

This warranty is conditioned upon the prepaid return of the equipment claimed to be defective to an authorized Graco distributor for verification of the claimed defect. If the claimed defect is verified, Graco will repair or replace free of charge any defective parts. The equipment will be returned to the original purchaser transportation prepaid. If inspection of the equipment does not disclose any defect in material or workmanship, repairs will be made at a reasonable charge, which charges may include the costs of parts, labor, and transportation.

THIS WARRANTY IS EXCLUSIVE, AND IS IN LIEU OF ANY OTHER WARRANTIES, EXPRESS OR IMPLIED, INCLUDING BUT NOT LIMITED TO WARRANTY OF MERCHANTABILITY OR WARRANTY OF FITNESS FOR A PARTICULAR PURPOSE.

Graco's sole obligation and buyer's sole remedy for any breach of warranty shall be as set forth above. The buyer agrees that no other remedy (including, but not limited to, incidental or consequential damages for lost profits, lost sales, injury to person or property, or any other incidental or consequential loss) shall be available. Any action for breach of warranty must be brought within two (2) years of the date of sale.

GRACO MAKES NO WARRANTY, AND DISCLAIMS ALL IMPLIED WARRANTIES OF MERCHANTABILITY AND FITNESS FOR A PARTICULAR PURPOSE IN CONNECTION WITH ACCESSORIES, EQUIPMENT, MATERIALS, OR COMPONENTS SOLD BUT NOT MANUFACTURED BY GRACO. These items sold, but not manufactured by Graco (such as electric motors, switches, hose, etc.) are subject to the warranty, if any, of their manufacturer. Graco will provide purchaser with reasonable assistance in making any claim for breach of these warranties.

For Sales to Canadian Customers:

Except as expressly stated herein, Graco makes no representations, warranties or conditions, express, implied or collateral, concerning any goods or services sold, and **GRACO SHALL NOT BE LIABLE IN ANY MANNER FOR** any other representation, warranty or condition of any kind, whether arising by operation of law or otherwise, including but not limited to, **WARRANTIES OF MERCHANTABILITY OR FITNESS FOR A PARTICULAR PURPOSE.**

LIMITATION OF LIABILITY

In no event will Graco be liable for indirect, incidental, special or consequential damages resulting from Graco supplying equipment hereunder, or for the furnishing, performance, or use of any products or other goods sold hereto, whether due to a breach of contract, breach of warranty, the negligence of Graco, or otherwise.

Sales Offices: Atlanta, Chicago, Detroit, Los Angeles
Foreign Offices: Belgium, Canada, England, Korea, Switzerland, France, Germany, Hong Kong, Japan

GRACO INC. P.O. BOX 1441 MINNEAPOLIS, MN 55440-1441

PRINTED IN U.S.A. 306-460 May 1954, revised June 1996