

Installation Instructions

Form No. 309283

Rev. A



INSTRUCTIONS

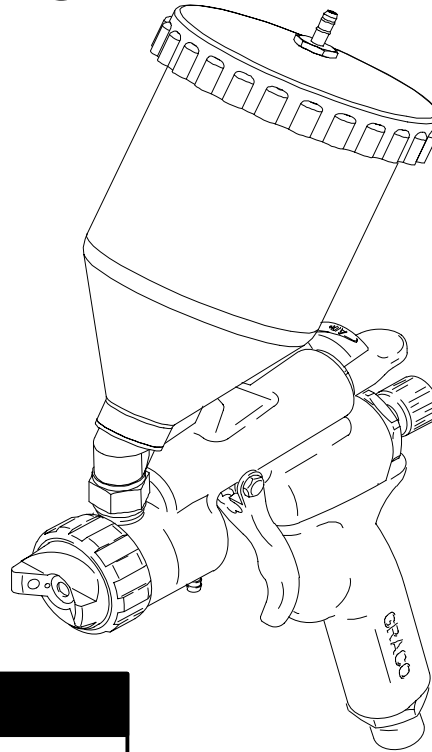
For detailed HVLP-Turbine Gun information and warnings see Operating Instructions manual 309317.



This manual contains kit installation instructions only.

Cup-Over Kit for HVLP-Turbine Guns

Cup-Over Kit 244136



To find your local Graco authorized service center

- Call us at 1-800-690-2894
- Visit our website at www.graco.com

WARNING

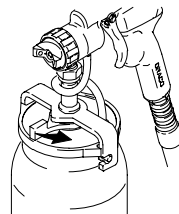
Relieve all fluid pressure in the system before you install, remove, or replace any parts. See the **Pressure Relief Procedure** below or for more information refer to Operating Instructions manual 309317.



Pressure Relief Procedure

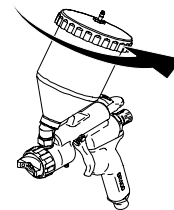


1. Turn off turbine and air supply to gun.



2. Unlatch cup

OR



2. Twist cover counterclockwise



GRACO INC. P.O. BOX 1441 MINNEAPOLIS, MN 55440-1441

©COPYRIGHT 2001, GRACO INC.

Graco Inc. is registered to I.S. EN ISO 9001

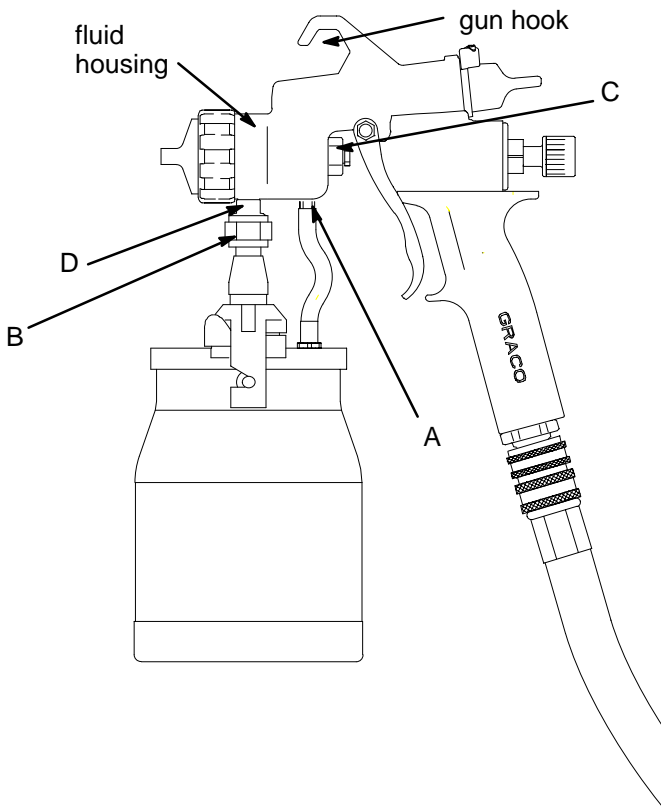
Cup-Over Kit 244136

Removing Cup or Remote Pressure Pot

WARNING

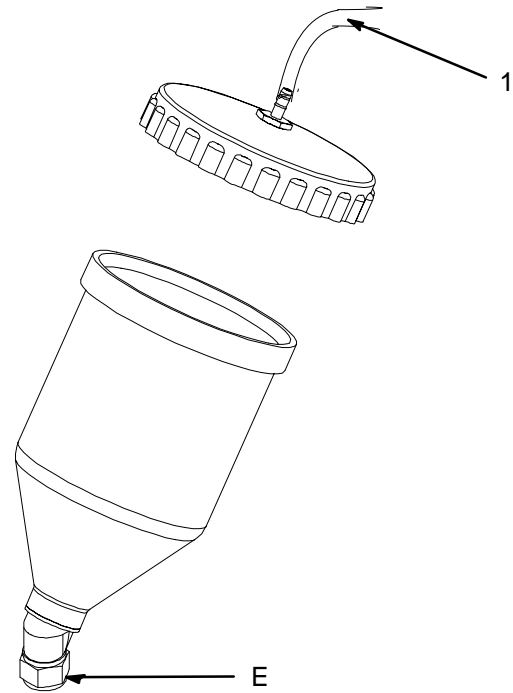
The spray gun cup is pressurized by the gun's air supply. To reduce the risk of serious injury from pressurized fluid or accidental spray from the gun, always turn off the air supply to the gun before you remove the spray gun cup.

1. Turn off air supply to gun.
2. Relieve pressure following the **Pressure Relief Procedure** provided on the front of this instruction sheet or in manual 309317.
3. Using a needle nose pliers remove air tube from barb on bottom of gun (A)
4. Using the Graco wrench tool included with your gun, loosen cup fitting B. Detach the gun from the cup.
5. Using the Graco wrench, loosen nut C.
6. Rotate fluid house until fluid fitting D is on top of the gun.
7. Retighten nut C using the Graco wrench tool included with your gun.



Attaching the Cup-Over

1. Thread fitting E on the cup-over and fluid fitting D on the gun together.
2. Use the Graco wrench tool included with your gun to fasten securely.
3. To ensure air tube 1 is clear of the trigger during use, before connecting the air tube to the gun barb, route it through gun hook and then connect it to gun barb.



1 244134 TUBE kit (5/pack)

All written and visual data contained in this document reflect the latest product information available at the time of publication. Graco reserves the right to make changes at any time without notice.

GRACO INC. P.O. BOX 1441 MINNEAPOLIS, MN 55440-1441
www.graco.com