

Hose Extension Kits

3A0862B

ENG

Hydraulic and material hose extensions for L and S-Head applicators used with an AC hydraulic power pack and Graco HFR™ plural component proportioners. For professional use only.

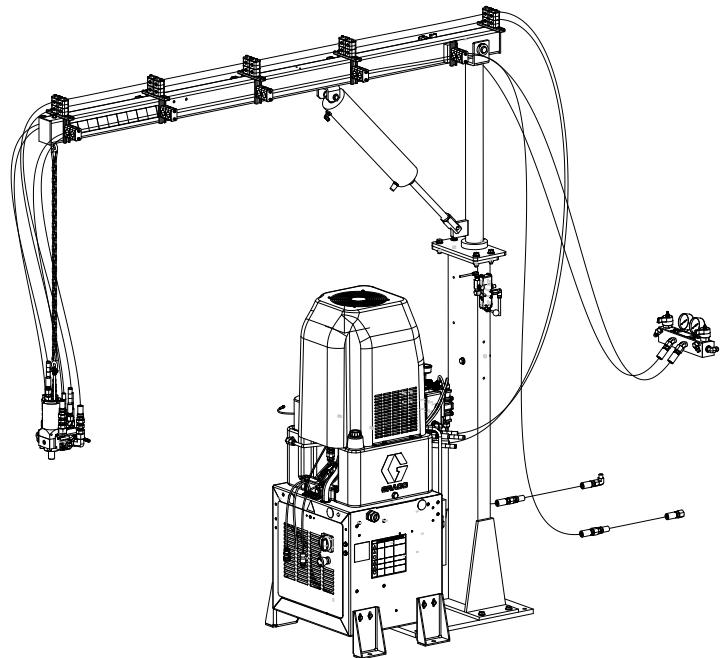


Important Safety Instructions

Read all warnings and instructions in this manual and AC hydraulic power pack manual. The symbols that appear in the body of this manual, refer back to more detailed warnings in the AC hydraulic power pack manual. Save these instructions.

See page 2 for model information, including maximum working pressure and approvals.

AC Hydraulic Power Pack Module without hose extension kit



r_24d829_3a0238_1e




HO03

Hose Extension Kits

Kit No.	Length ft (m)	Compatible Applicator		Maximum Working Pressure psi (MPa, bar)
		L-Head	S-Head	
24F235	25 (7.6)	✓		3500 psi (24 MPa, 241 bar)
24F236	50 (15.2)	✓		3500 psi (24 MPa, 241 bar)
24F237	25 (7.6)		✓	3500 psi (24 MPa, 241 bar)
24F238	50 (15.2)		✓	3500 psi (24 MPa, 241 bar)

Assembly




Twisted hydraulic hoses can cause the hoses to fatigue sooner and rupture. Ensure that the hydraulic hoses do not twist between the AC power pack and the applicator.

NOTICE

Ensure debris doesn't enter into the hydraulic hoses, the debris must be removed or machine damage will result.

1. Perform **Pressure Relief Procedure** for proportioner and hydraulic power pack. See manual 313997 and 3A0238 for instructions.
2. Shutdown proportioner and hydraulic power pack. See manual 313997 and 3A0238 for instructions.
3. Use supplied electrical tape to mark each end of the hydraulic and material hoses. See table on page 3.

Connect Hoses



Twisted hydraulic hoses can cause the hoses to fatigue sooner and rupture. Ensure that the hydraulic hoses do not twist between the AC power pack and the applicator.

NOTICE

Only connect hoses with the same color tape to prevent cross contamination or damage to the system.

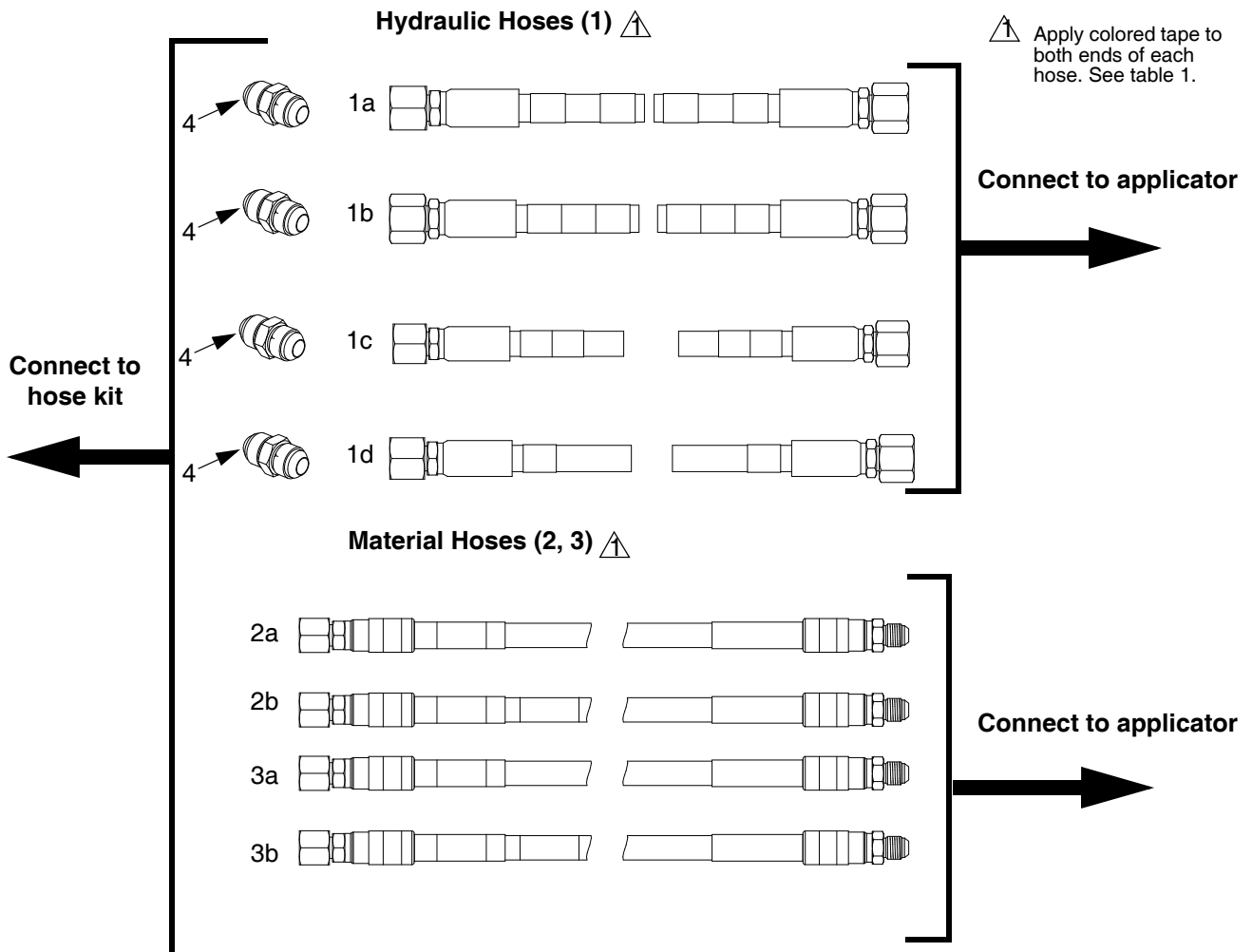
1. Disconnect hydraulic hoses from applicator.
2. Disconnect material hoses from applicator.
3. Use fittings (4) to connect hydraulic hoses from AC power pack and hydraulic extension hoses.
4. Connect material hoses from HFR unit and material hose extensions.

NOTE: Only connect hoses with the same color tape.

Parts

Hose Extension Kits

Ref.	Description	Color Identification	L-Head	S-Head
			24F235 24F236	24F237 24F238
Hydraulic Hoses (1)				
1a	Cleanout close	Green/Green	✓	
1b	Material close	Green	✓	✓
1c	Cleanout open	Green/White/Green	✓	
1d	Material open	Green/White	✓	✓
Material Hoses (2)				
2a	Red supply	Red	✓	✓
2b	Red return	Red/White	✓	✓
3a	Blue supply	Blue	✓	✓
3b	Blue return	Blue/White	✓	✓



Hose Extension Kits

Ref	Part	Description	Kit Descriptions and Quantity			
			L-Head		L-Head	
			24F235	24F236	24F237	24F238
1	24F257	HOSE, hydraulic, 25 ft (7.6 m)	1		1	
	24F258	HOSE, hydraulic, 50 ft (15.2 m)		1		1
2	262193	HOSE, A, 25 ft (7.6 m), 1/2, moisture-lok, ms	2		2	
	262195	HOSE, A, 50 ft (15.2 m), 1/2, moisture-lok, ms		2		2
3	262194	HOSE, B, 25 ft (7.6 m), 1/2, moisture-lok, ms	2		2	
	262196	HOSE, B, 50 ft (15.2 m), 1/2, moisture-lok, ms		2		2
4	124451	FITTING, connector, 8 JIC x 8 JIC	4	4	2	2
5✘	123659	CABLE, 5pin, male/female, 16m				1
	123658	CABLE, 5pin, male/female, 8.5m			1	
	24F239	HARNESS, prox, disp, l-head, 25'	1			
	24F240	HARNESS, prox, disp, l-head, 50'		1		
6✘	24F241	HARNESS, prox, clean-out, l-head, 25 ft (7.6 m)	1			
	24F242	HARNESS, prox, clean-out, l-head, 50 ft (15.2 m)		1		
7		TAPE, electrical, vinyl, green; 33 ft (10 m)	1	1	1	1
8		TAPE, electrical, 3/4, white; 33 ft (10 m)	1	1	1	1
9		TAPE, electrical, vinyl, red; 33 ft (10 m)	1	1	1	1
10		TAPE, electrical, vinyl, blue; 33 ft (10 m)	1	1	1	1

✘ Not shown.

Technical Data

Maximum working pressure.....	3500 psi (24 MPa, 241 bar)
Maximum operating temperature.....	180°F (82°C)
Wetted parts	nylon, zinc-plated carbon steel, butyl

Graco Standard Warranty

Graco warrants all equipment referenced in this document which is manufactured by Graco and bearing its name to be free from defects in material and workmanship on the date of sale to the original purchaser for use. With the exception of any special, extended, or limited warranty published by Graco, Graco will, for a period of twelve months from the date of sale, repair or replace any part of the equipment determined by Graco to be defective. This warranty applies only when the equipment is installed, operated and maintained in accordance with Graco's written recommendations.

This warranty does not cover, and Graco shall not be liable for general wear and tear, or any malfunction, damage or wear caused by faulty installation, misapplication, abrasion, corrosion, inadequate or improper maintenance, negligence, accident, tampering, or substitution of non-Graco component parts. Nor shall Graco be liable for malfunction, damage or wear caused by the incompatibility of Graco equipment with structures, accessories, equipment or materials not supplied by Graco, or the improper design, manufacture, installation, operation or maintenance of structures, accessories, equipment or materials not supplied by Graco.

This warranty is conditioned upon the prepaid return of the equipment claimed to be defective to an authorized Graco distributor for verification of the claimed defect. If the claimed defect is verified, Graco will repair or replace free of charge any defective parts. The equipment will be returned to the original purchaser transportation prepaid. If inspection of the equipment does not disclose any defect in material or workmanship, repairs will be made at a reasonable charge, which charges may include the costs of parts, labor, and transportation.

THIS WARRANTY IS EXCLUSIVE, AND IS IN LIEU OF ANY OTHER WARRANTIES, EXPRESS OR IMPLIED, INCLUDING BUT NOT LIMITED TO WARRANTY OF MERCHANTABILITY OR WARRANTY OF FITNESS FOR A PARTICULAR PURPOSE.

Graco's sole obligation and buyer's sole remedy for any breach of warranty shall be as set forth above. The buyer agrees that no other remedy (including, but not limited to, incidental or consequential damages for lost profits, lost sales, injury to person or property, or any other incidental or consequential loss) shall be available. Any action for breach of warranty must be brought within two (2) years of the date of sale.

GRACO MAKES NO WARRANTY, AND DISCLAIMS ALL IMPLIED WARRANTIES OF MERCHANTABILITY AND FITNESS FOR A PARTICULAR PURPOSE, IN CONNECTION WITH ACCESSORIES, EQUIPMENT, MATERIALS OR COMPONENTS SOLD BUT NOT MANUFACTURED BY GRACO. These items sold, but not manufactured by Graco (such as electric motors, switches, hose, etc.), are subject to the warranty, if any, of their manufacturer. Graco will provide purchaser with reasonable assistance in making any claim for breach of these warranties.

In no event will Graco be liable for indirect, incidental, special or consequential damages resulting from Graco supplying equipment hereunder, or the furnishing, performance, or use of any products or other goods sold hereto, whether due to a breach of contract, breach of warranty, the negligence of Graco, or otherwise.

FOR GRACO CANADA CUSTOMERS

The Parties acknowledge that they have required that the present document, as well as all documents, notices and legal proceedings entered into, given or instituted pursuant hereto or relating directly or indirectly hereto, be drawn up in English. Les parties reconnaissent avoir convenu que la rédaction du présente document sera en Anglais, ainsi que tous documents, avis et procédures judiciaires exécutés, donnés ou intentés, à la suite de ou en rapport, directement ou indirectement, avec les procédures concernées.

Graco Information

Sealant and Adhesive Dispensing Equipment

For the latest information about Graco products, visit www.graco.com.

For patent information, see www.graco.com/patents.

TO PLACE AN ORDER, contact your Graco distributor, go to www.graco.com and select "Where to Buy" in the top blue bar, or call to find the nearest distributor.

If calling from the US: 800-746-1334

If calling from outside the US: 0-1-330-966-3000

All written and visual data contained in this document reflects the latest product information available at the time of publication. Graco reserves the right to make changes at any time without notice.

Original instructions. This manual contains English. MM 3A0862

Graco Headquarters: Minneapolis

International Offices: Belgium, China, Japan, Korea

GRACO OHIO INC. 8400 PORT JACKSON AVE NW, NORTH CANTON, OH 44720

Copyright 2010, Graco Inc. is registered to ISO 9001

www.graco.com

Revision B, February 2017