

# FLANGED RAILROAD BALL VALVES 7RRR, 7RRT & 7RRU

## STANDARD BORE:

1" – 3" SERIES 7000  
(AAR NO. E089012)

The Jamesbury® polymeric-seated flanged ball valves offer a patented flexible-lip seat design that provides positive bi-directional shut-off for your tank car applications. The design incorporates a short body length to accommodate the top fittings requirements of today's tank cars. They are available with two raised face flanges (7RRR), one ASME raised face flange and one ASME tongue flange (7RRT), one ASME raised face flange and one square AAR flange (7RRU).

Polymeric-seated flanged ball valves are available in sizes 1" – 3". Materials include carbon steel with 316 stainless steel trim or all stainless steel. Seat material options include PTFE or Xtreme® for applications involving abrasive media and services with significant temperature fluctuations, *Xtreme* is recommended. Other materials are available for special applications.

### Fire-Tite® Valves

All Jamesbury tank car ball valves have a *Fire-Tite* design tested to API-607. In the event of a fire resulting in destruction of the polymeric seats, a secondary metal sealing surface provides continuous effective shutoff. API 608 compliance in a shortened face to face, serves refineries and related chemical and petrochemical industries. Flange connections are per ASME and AAR specifications.

### FEATURES AND BENEFITS

- Short body design provides minimum face-to-face dimensions.
- Quarter-turn operation for quick and easy cycling.
- *Xtreme* seat provides longer life, industry leading expanded performance boundaries, and greater value.
- Polymeric flexible lip-seat design offers tight shut-off in either direction and extended cycle life with minimum maintenance.
- *Fire-Tite* version with non-metallic seats meets API 607 requirements.



### New Features and Benefits

- New patented stem seal system is live loaded and engineered to assure long sealing life.

### Ratings

7RRR/7RRT/7RRU valves are rated for pressures and temperatures well in excess of those that are normally encountered in tank car service. Carbon steel valves are rated from -20°F to +500°F (-29°C to +260°C). 316 stainless steel valves are rated from -60°F to +500°F (-51°C to +260°C). The AAR pressure rating is 600 psi (41 bar) at ambient temperature. The seat rating, shown on the next page determine the practical temperature and pressure limitations according to actual service conditions.

### Service

Representative stocks of 7RRR/7RRT/7RRU valves and spare parts are maintained by the network of Authorized Transportation Stocking Distributors located in key areas of the United States and Canada. For local distributor, visit our website at [www.metso.com/automation](http://www.metso.com/automation).

## SPECIFICATIONS

### Flow Data

The table below provides flow coefficients for *Jamesbury* valves covered in this bulletin. Cv values represent the flow of water at +60°F through the valve in U.S. gallons per minute at a pressure drop of 1 psi. The metric equivalent, Kv, is the flow of water at 16°C through the valve in cubic meters per hour at a pressure drop of 1 kg/cm<sup>2</sup>. To convert Cv to Kv, multiply by 0.8569.

Valve Size		Cv
Inches	DN	Standard Bore
1	25	45
2	50	165
3	80	350

### Valve Seat Ratings

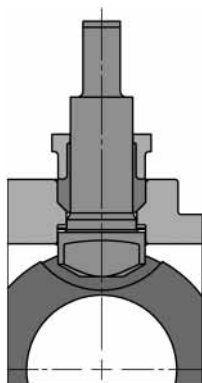
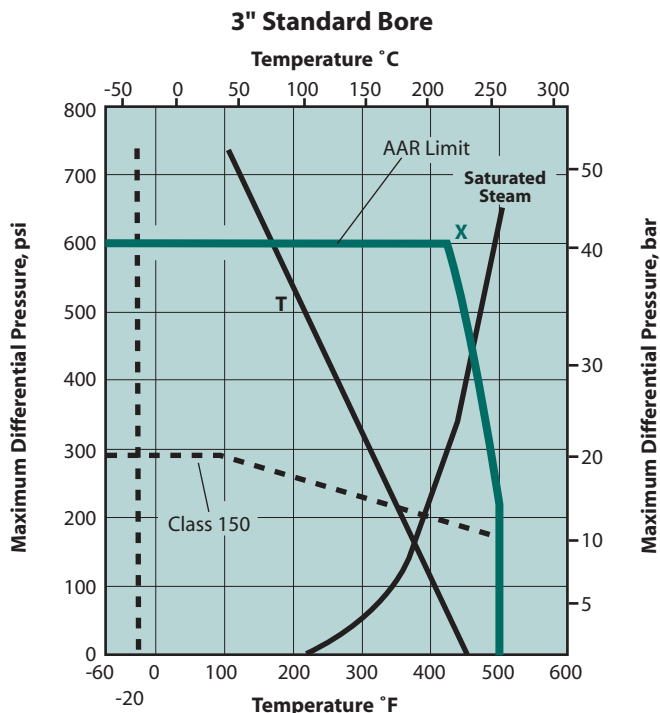
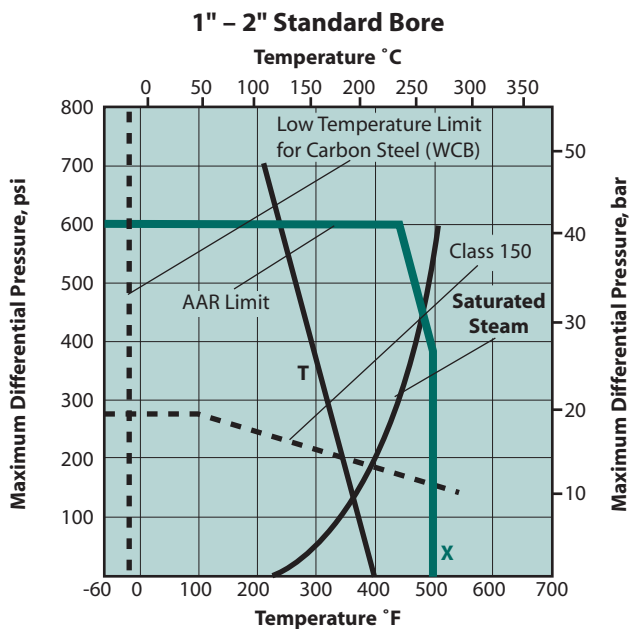
Seat ratings, indicated by solid lines in the charts below, are based on differential pressure with the valve ball in the fully closed position and refer to seats only.

On saturated steam service, stainless steel trim is recommended at all pressures and is required above 200 psi (14 bar). For more information on seat materials, refer to Bulletin T140-1.

### Xtreme Performance and Value

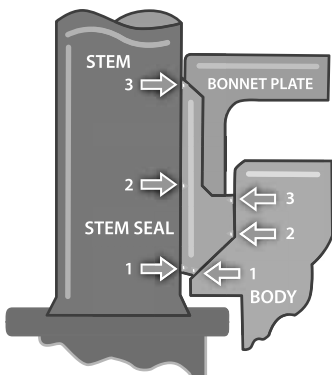
*Xtreme* seats provide longer life, expanded performance boundaries, and the greatest possible value. *Xtreme* is a unique material that resulted from a technological breakthrough in our polymer research lab. The material is a fluoro-polymer-based blend proprietary to *Jamesbury* that provides superior quarter-turn performance.

## TYPICAL SEAT MATERIAL PRESSURE-TEMPERATURE RATINGS



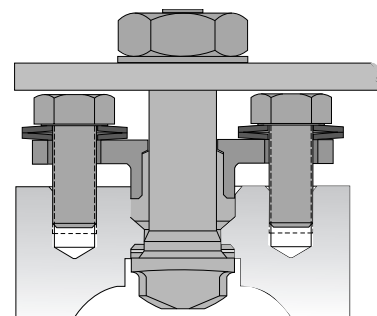
**Figure 1**

Robust Stem with deep engagement. Excessive torque can only cause failure outside the body.



**Figure 2**

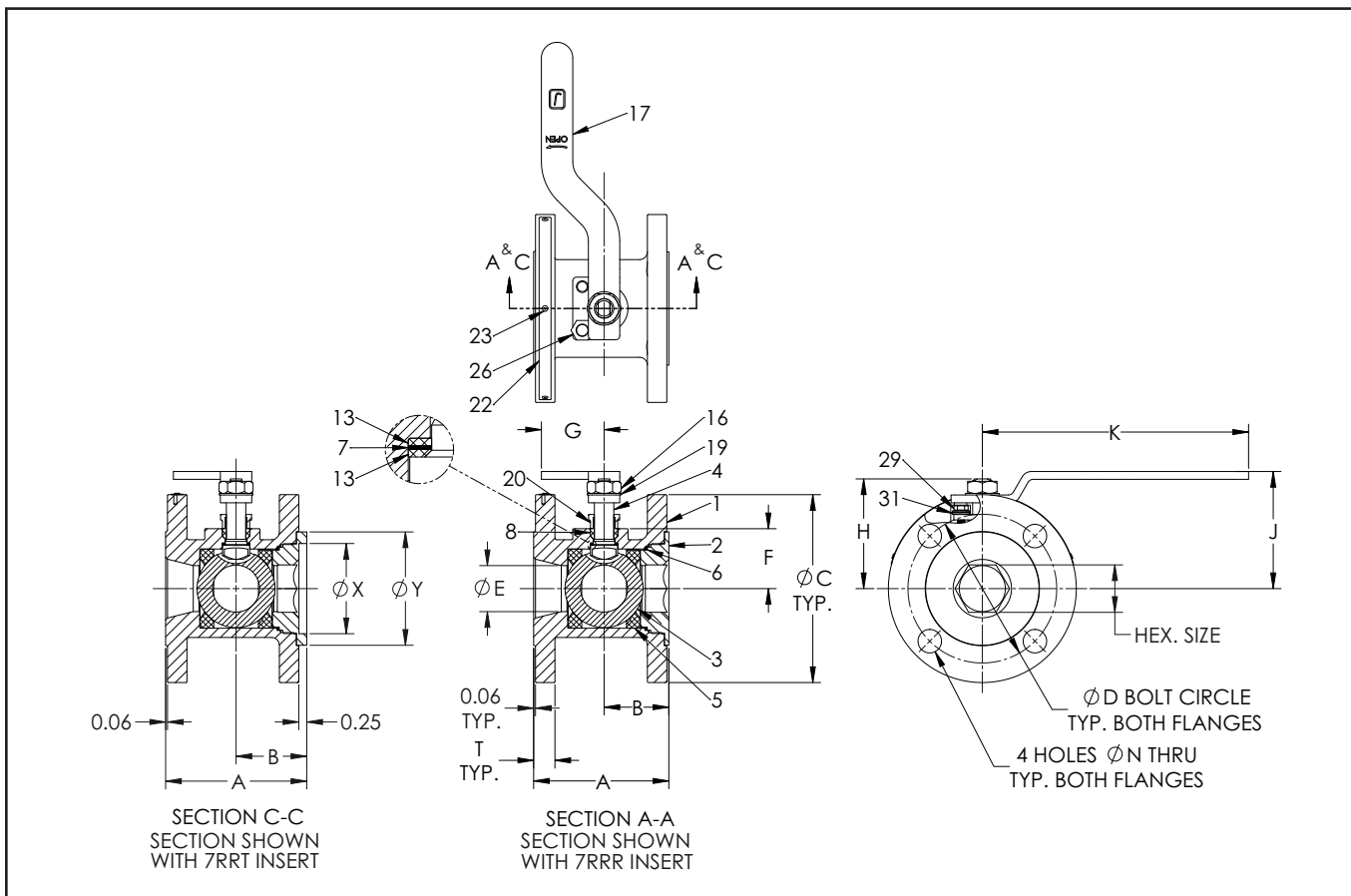
Patented Stem Seal incorporates 3 zones of contact between the stem and the seal.



**Figure 3**

Live loading of stem seals eliminates the need for frequent adjustment.

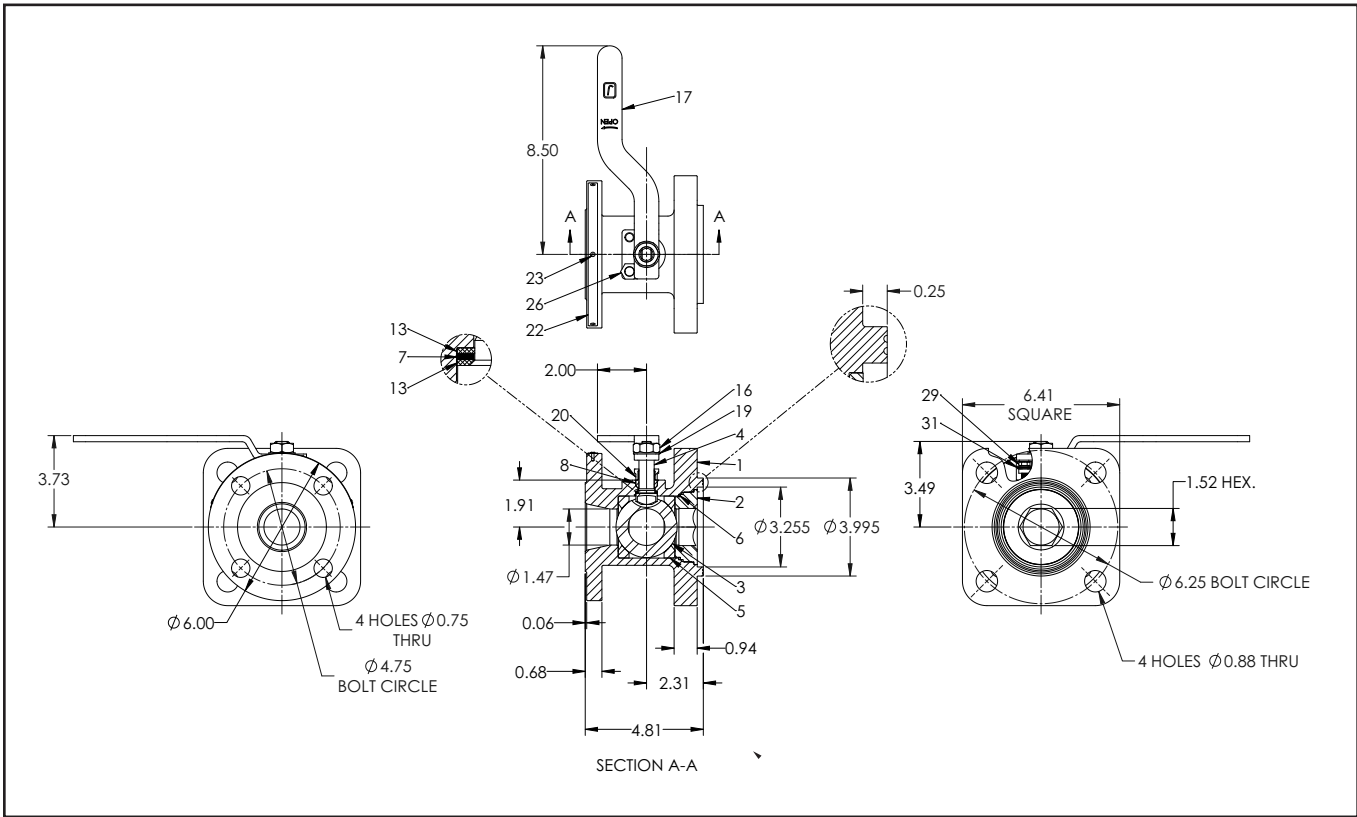
**DIMENSIONS, 1" – 2" 7RRR/7RRT**



Valve Size inches	Nominal Dimensions - inches																	
	A	B	A	B	C	D	E	F	G	H	J	K	N	T	X	Y	Hex Size	
	7RRR		7RRT															
1	3.83	2.01	4.02	2.20	4.25	3.12	0.88	1.36	1.92	2.58	2.92	7.12	0.62	0.56	1.50	2.00	0.88	
2	4.32	2.07	4.51	2.26	6.00	4.75	1.50	1.91	2.00	3.49	3.73	8.50	0.75	0.75	2.88	3.62	1.50	

BILLS OF MATERIALS AND PARTS LIST			
1" – 2" Series 7RRR & 7RRT			
Part No.	Part Name	Body Material	
		Carbon Steel	316 Stainless Steel
1	Body	Carbon Steel ASTM A-216 Gr.WCB	316 Stainless Steel ASTM A-351 Gr.CF8M
2	Insert	Carbon Steel	316 Stainless Steel
3	Ball	316 Stainless Steel	
4	Stem	316 Stainless Steel	
5	Seat	PTFE, Xtreme	
6	Body Seal	TFM	
7	Secondary Stem Seal	Graphite	
8	Stem Seal	PTFE, TFM® (Xtreme seated valves)	
13	Stem Bearing	Teflon, Filled PTFE (Xtreme seated valves)	
16	Handle Nut	300 Series Stainless Steel	
17	Handle	300 Series Stainless Steel	
19	Shakeproof Washer	300 Series Stainless Steel	
20	Compression Plate	316 Stainless Steel	
22	Identification Tag	300 Series Stainless Steel	
23	Pop Rivet	300 Series Stainless Steel	
26	Handle Stop	17-4 PH Stainless Steel	
29	Hex. Head Cap Screw	300 Series Stainless Steel	
31	Disc Spring	Inconel	

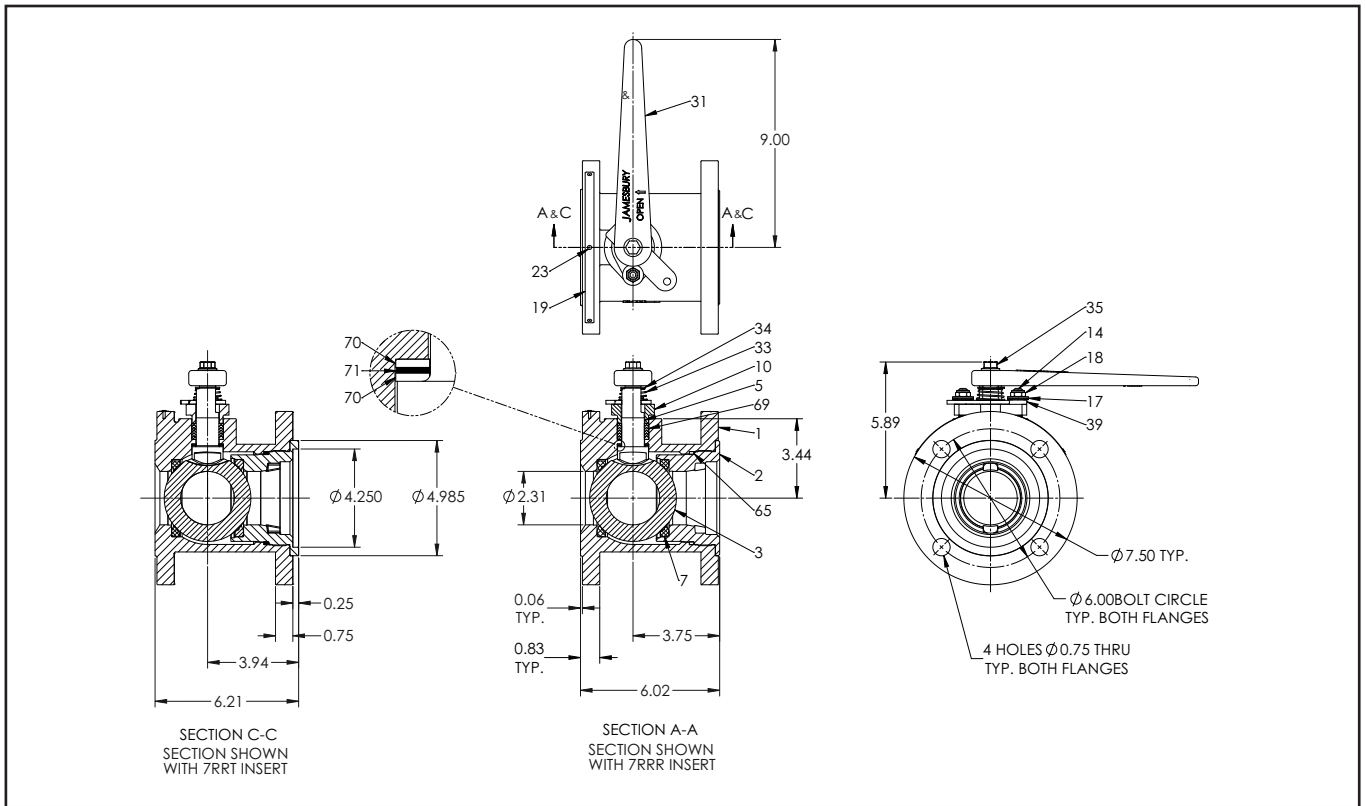
**DIMENSIONS, 2" 7RRU**



**BILLS OF MATERIALS AND PARTS LIST**  
2" Series 7RRU

Part No.	Part Name	Body Material	
		Carbon Steel	316 Stainless Steel
1	Body	Carbon Steel ASTM A-216 Gr. WCB	316 Stainless Steel ASTM A-351 Gr. CF8M
2	Insert	Carbon Steel	316 Stainless Steel
3	Ball		316 Stainless Steel
4	Stem		316 Stainless Steel
5	Seat		PTFE, <i>Xtreme</i>
6	Body Seal		TFM
7	Secondary Stem Seal		Graphite
8	Stem Seal		PTFE, TFM® ( <i>Xtreme</i> seated valves)
13	Stem Bearing		Teflon, Filled PTFE ( <i>Xtreme</i> seated valves)
16	Handle Nut		300 Series Stainless Steel
17	Handle		300 Series Stainless Steel
19	Shakeproof Washer		300 Series Stainless Steel
20	Compression Plate		316 Stainless Steel
22	Identification Tag		300 Series Stainless Steel
23	Pop Rivet		300 Series Stainless Steel
26	Handle Stop		17-4 PH Stainless Steel
29	Hex. Head Cap Screw		300 Series Stainless Steel
31	Disc Spring		Inconel

**DIMENSIONS, 3" 7RRR/7RRT**



BILLS OF MATERIALS AND PARTS LIST			
3" Series 7RRR & 7RRT			
Part No.	Part Name	Body Material	
		Carbon Steel	316 Stainless Steel
1	Body	Carbon Steel ASTM A-216 Gr. WCB	316 Stainless Steel ASTM A-351 Gr. CF8M
2	Insert	Carbon Steel	316 Stainless Steel
3	Ball		316 Stainless Steel
5	Stem		316 Stainless Steel
7	Seat		PTFE, <i>Xtreme</i>
10	Compression Plate		Stainless Steel
14	Bonnet Stud		ASTM A193 Gr. B8, B8C, B8M, B8T
17	Disc Spring		17-7PH Stainless Steel
18	Bonnet Stud Nut		300 Series Stainless Steel
19	Identification Tag		300 Series Stainless Steel
23	Pop Rivet		300 Series Stainless Steel
31	Handle		316 Stainless Steel
32	Indicator Stop		Carbon Steel
33	Spring		300 Series Stainless Steel
34	Retaining Ring		300 Series Stainless Steel
35	Handle Screw		Carbon Steel
39	Stop Bushing		316 Stainless Steel
65	Body Seal		PTFE
69	Packing/V Ring set		PTFE, TFM ( <i>Xtreme</i> seated valves)
70	Stem Bearing		Filled PTFE
71	Secondary Stem Seal		Graphite

## HOW TO ORDER

### EXAMPLE: 7RRX RR Ball Valve

1	2	3	4	5	6
1	7RRR	3600	XTZ	2	A

1	Valve Size
1	1"
2	2"
3	3"

2	Series
7RRR	ASME Raised Face x ASME Raised Face
7RRT	ASME Raised Face x ASME Tongue
7RRU	ASME Raised Face x AAR Tongue (2" Only)

3	Valve Construction	
	Body and Body Cap	Ball and Stem
2235	Carbon Steel (WCB)	Alloy 20
2236	Carbon Steel (WCB)	Stainless Steel 316
3600	Stainless Steel 316 (CF8M)	Stainless Steel 316

4	Seat/Seal Materials	
	Seat	Seals (Stem & Body)
-	Standard <b>Fire-Tite</b>	
TTT	Virgin Teflon (PTFE)	Virgin Teflon (PTFE) & TFM or PTFE
XTZ	<i>Xtreme</i>	TFM & TFM or PTFE

5	Bolting Material	
	Bolts	Nuts
1	ASTM A193 Gr. B7	ASTM A194 Gr. 2H
2	ASTM A193 B8, B8C, B8M or B8T Class 2	ASTM A194 Gr. 8B, 8CB, 8MB, 8TB or 8FB

6	Model
A	Model A

Subject to change without prior notice.

#### Metso Automation Inc.

Europe, Vanha Porvoontie 229, P.O. Box 304, FI-11301 Vantaa, Finland.  
Tel. +358 20 483 150. Fax +358 20 483 151

North America, 44 Bowditch Drive, P.O. Box 8044, Shrewsbury, MA 01545, USA.  
Tel. +1 508 852 0200. Fax +1 508 852 8172

South America, Av. Independência, 2500- Iporanga, 18087-101, Sorocaba-São Paulo  
Brazil. Tel. +55 15 2102 9700. Fax +55 15 2102 9748/49

Asia Pacific, 20 Kallang Avenue, Lobby B, #06-00, PICO Creative Centre, Singapore 339411, Singapore.  
Tel. +65 6511 1011. Fax +65 6250 0830

China, 19/F, the Exchange Beijing, No. 118, Jianguo Lu Yi, Chaoyang Dist, 100022 Beijing, China.  
Tel. +86-10-6566-6600. Fax +86-10-6566-2575

Middle East, Roundabout 8, Unit AB-07, P.O. Box 17175, Jebel Ali Freezone, Dubai,  
United Arab Emirates. Tel. +971 4 883 6974. Fax +971 4 883 6836

[www.metso.com/valves](http://www.metso.com/valves)

