

GLC 2200 Wiring Harness Kit

3A2993C

EN

Used to interface the GLC 2200 Lubrication Controller with the pump and pump accessories. For professional use only.

Not approved for use in European explosive atmosphere locations.

Kit Nos.:

24P314 - 5 feet

24W981 - 10 feet

Kits are rated IP65.



Important Safety Instructions

Read all warnings and instructions in this manual and the GLC2200 Lubrication Controller instruction manual included with your unit. Save these instructions.

Instructions

1. Verify the Connector end of the cable is NOT plugged in to the GLC2200 controller.
2. Remove 2 to 3 inches of the outer insulation (a) from bare end of the cable as shown FIG. 1.

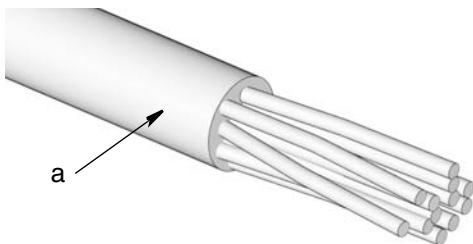


FIG. 1

3. Strip each wire (b) as shown in FIG. 2.

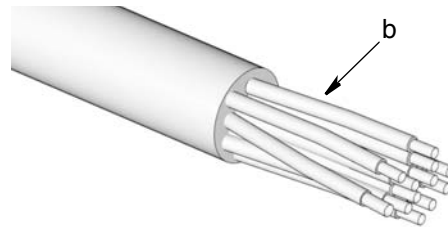


FIG. 2

4. Using the Wiring Key Table provided on the reverse side of these instructions, connect components to cable wires matching each wire color shown on the Table to the related component.

Verify all negative and positive wire colors are correctly assigned.

5. Plug connector into the GLC2200 unit matching pin numbers to Connector Identification Label (shown on the reverse side of these instructions).

NOTE: The connector can only be plugged into the GLC2200 one way. The clip (c) should be facing down when the connector is correctly oriented.

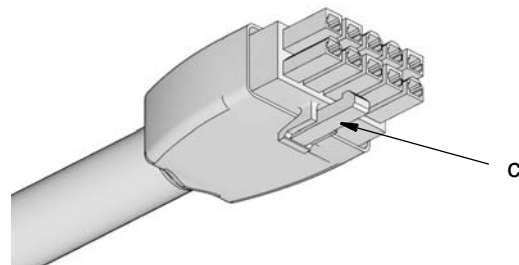
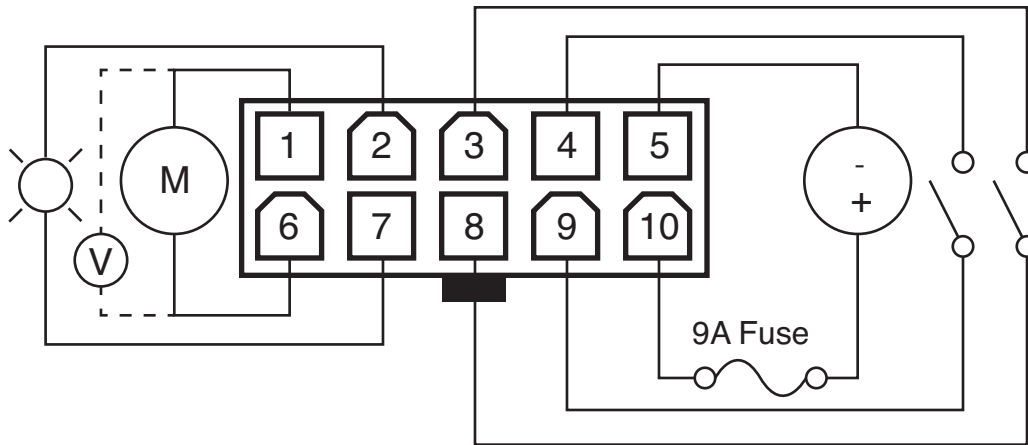


FIG. 3

Wiring Diagram

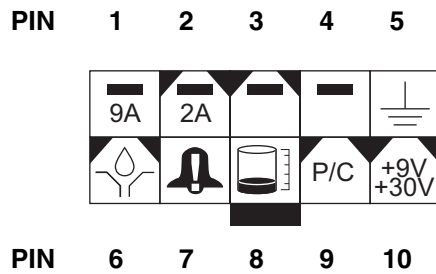


M = Motor, pump power or solenoid
 V = Electric vent valve for injector-based systems

Wiring Key

Pin	Color	Description	+/-
1	Blue	Pump	-
2	Purple	Alarm	-
3	Brown	Low Level	-
4	White	Pressure Cycle Switch	-
5	Black	Voltage Input	-
6	Orange	Pump	+
7	Green	Alarm	+
8	Yellow	Low Level	+
9	Gray	Pressure Cycle Switch	+
10	Red	Voltage Input	+

Connector Identification Label



All written and visual data contained in this document reflects the latest product information available at the time of publication. Graco reserves the right to make changes at any time without notice.

For patent information, see www.graco.com/patents.

Original instructions. This manual contains English. MM 3A2993

Graco Headquarters: Minneapolis
International Offices: Belgium, China, Japan, Korea

GRACO INC. AND SUBSIDIARIES • P.O. BOX 1441 • MINNEAPOLIS MN 55440-1441 • USA

Copyright 2012, Graco Inc. All Graco manufacturing locations are registered to ISO 9001.

www.graco.com
 July 2017