

# Dyna-Star<sup>®</sup> HP Pump System

3A3956C

EN

***Provides lubricant flow and pressure to operate a single line parallel automatic lubrication system. For automatic lubrication systems only.***

**Not approved for use in European explosive atmosphere locations.**

## Models

**77X202 - 60 lb**

**77X203 - 90 lb**

*24VDC, Injector module with pump, tube-in-tube, vent valve, auto-fill shutoff, low level, 60 lb. or 90 lb. reservoir.*

*3500 psi (24.1 MPa, 241 bar) Maximum Working Pressure*

*5000 psi (34 MPa, 344.7 bar) Maximum Refilling Inlet Pressure*

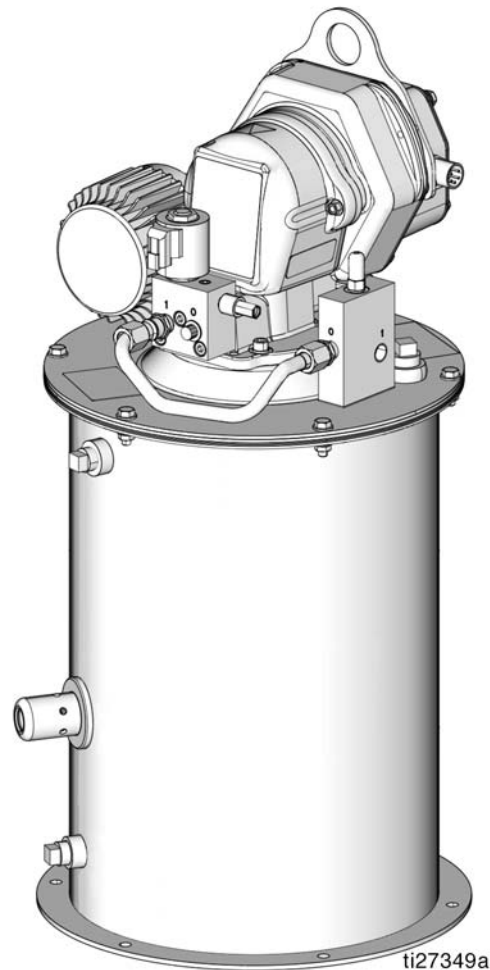


## Important Safety Instructions

Read all warnings and instructions in this manual, the Dyna-Star HP and HF Pump instruction manual and all related component manuals (listed below). Save all instructions.









## Related Manuals

Manual	Description
332514	Dyna-Star HP and HF Pump
332518	Dyna-Star HP and HF Auto-Fill Shut Off Kit
332519	Dyna-Star HP Vent Valve Kit
333393	Fill Valve
334998	Power Cable Kit
334999	Cable Harness Kit
3A2960	GLC2200 Lubrication Controller









# Warnings

The following warnings are for the setup, use, grounding, maintenance, and repair of this equipment. The exclamation point symbol alerts you to a general warning and the hazard symbols refer to procedure-specific risks. When these symbols appear in the body of this manual or on warning labels, refer back to these Warnings. Product-specific hazard symbols and warnings not covered in this section may appear throughout the body of this manual where applicable.

 <h1 style="margin: 0;">WARNING</h1>	
 	<p><b>FIRE AND EXPLOSION HAZARD</b></p> <p>When flammable fluids are present in the work area, such as gasoline and windshield wiper fluid, be aware that flammable fumes can ignite or explode. To help prevent fire and explosion:</p> <ul style="list-style-type: none"> <li>• Use equipment only in well ventilated area.</li> <li>• Eliminate all ignition sources, such as cigarettes and portable electric lamps.</li> <li>• Ground all equipment in the work area.</li> <li>• Keep work area free of debris, including rags and spilled or open containers of solvent and gasoline.</li> <li>• Do not plug or unplug power cords or turn lights on or off when flammable fumes are present.</li> <li>• Use only grounded hoses.</li> <li>• <b>Stop operation immediately</b> if static sparking occurs or you feel a shock. Do not use equipment until you identify and correct the problem.</li> <li>• Keep a working fire extinguisher in the work area.</li> </ul>
    	<p><b>SKIN INJECTION HAZARD</b></p> <p>High-pressure fluid from dispensing device, hose leaks, or ruptured components will pierce skin. This may look like just a cut, but it is a serious injury that can result in amputation. <b>Get immediate surgical treatment.</b></p> <ul style="list-style-type: none"> <li>• Do not point dispensing device at anyone or at any part of the body.</li> <li>• Do not put your hand over the fluid outlet.</li> <li>• Do not stop or deflect leaks with your hand, body, glove, or rag.</li> <li>• Follow the <b>Pressure Relief Procedure</b> when you stop dispensing and before cleaning, checking, or servicing equipment.</li> <li>• Tighten all fluid connections before operating the equipment.</li> <li>• Check hoses and couplings daily. Replace worn or damaged parts immediately.</li> </ul>

# WARNING

 	<p><b>EQUIPMENT MISUSE HAZARD</b></p> <p>Misuse can cause death or serious injury.</p> <ul style="list-style-type: none"> <li>• Do not operate the unit when fatigued or under the influence of drugs or alcohol.</li> <li>• Do not exceed the maximum working pressure or temperature rating of the lowest rated system component. See <b>Technical Data</b> in all equipment manuals.</li> <li>• Use fluids and solvents that are compatible with equipment wetted parts. See <b>Technical Data</b> in all equipment manuals. Read fluid and solvent manufacturer's warnings. For complete information about your material, request Safety Data Sheet (SDS) from distributor or retailer.</li> <li>• Turn off all equipment and follow the <b>Pressure Relief Procedure</b> when equipment is not in use.</li> <li>• Check equipment daily. Repair or replace worn or damaged parts immediately with genuine manufacturer's replacement parts only.</li> <li>• Do not alter or modify equipment. Alterations or modifications may void agency approvals and create safety hazards.</li> <li>• Make sure all equipment is rated and approved for the environment in which you are using it.</li> <li>• Use equipment only for its intended purpose. Call your distributor for information.</li> <li>• Route hoses and cables away from traffic areas, sharp edges, moving parts, and hot surfaces.</li> <li>• Do not kink or over bend hoses or use hoses to pull equipment.</li> <li>• Keep children and animals away from work area.</li> <li>• Comply with all applicable safety regulations.</li> </ul>
 	<p><b>MOVING PARTS HAZARD</b></p> <p>Moving parts can pinch, cut or amputate fingers and other body parts.</p> <ul style="list-style-type: none"> <li>• Keep clear of moving parts.</li> <li>• Do not operate equipment with protective guards or covers removed.</li> <li>• Pressurized equipment can start without warning. Before checking, moving, or servicing equipment, follow the <b>Pressure Relief Procedure</b> and disconnect all power sources.</li> </ul>
	<p><b>BURN HAZARD</b></p> <p>Equipment surfaces and fluid that is heated can become very hot during operation. To avoid severe burns:</p> <ul style="list-style-type: none"> <li>• Do not touch hot fluid or equipment.</li> </ul>
	<p><b>PERSONAL PROTECTIVE EQUIPMENT</b></p> <p>Wear appropriate protective equipment when in the work area to help prevent serious injury, including eye injury, hearing loss, inhalation of toxic fumes, and burns. Protective equipment includes but is not limited to:</p> <ul style="list-style-type: none"> <li>• Protective eyewear, and hearing protection.</li> <li>• Respirators, protective clothing, and gloves as recommended by the fluid and solvent manufacturer.</li> </ul>

# Typical Installation

## Systems with Pressure Relief Valve in the Refilling Line

The installation shown is only a guide for selecting and installing system components. Contact your Graco distributor for assistance in planning a system to suit your needs.

**NOTE:** The remote filling station pump stalls (dead-heads) when the reservoir is full. If the pump does not stall (dead-head) there is a leak in the system.

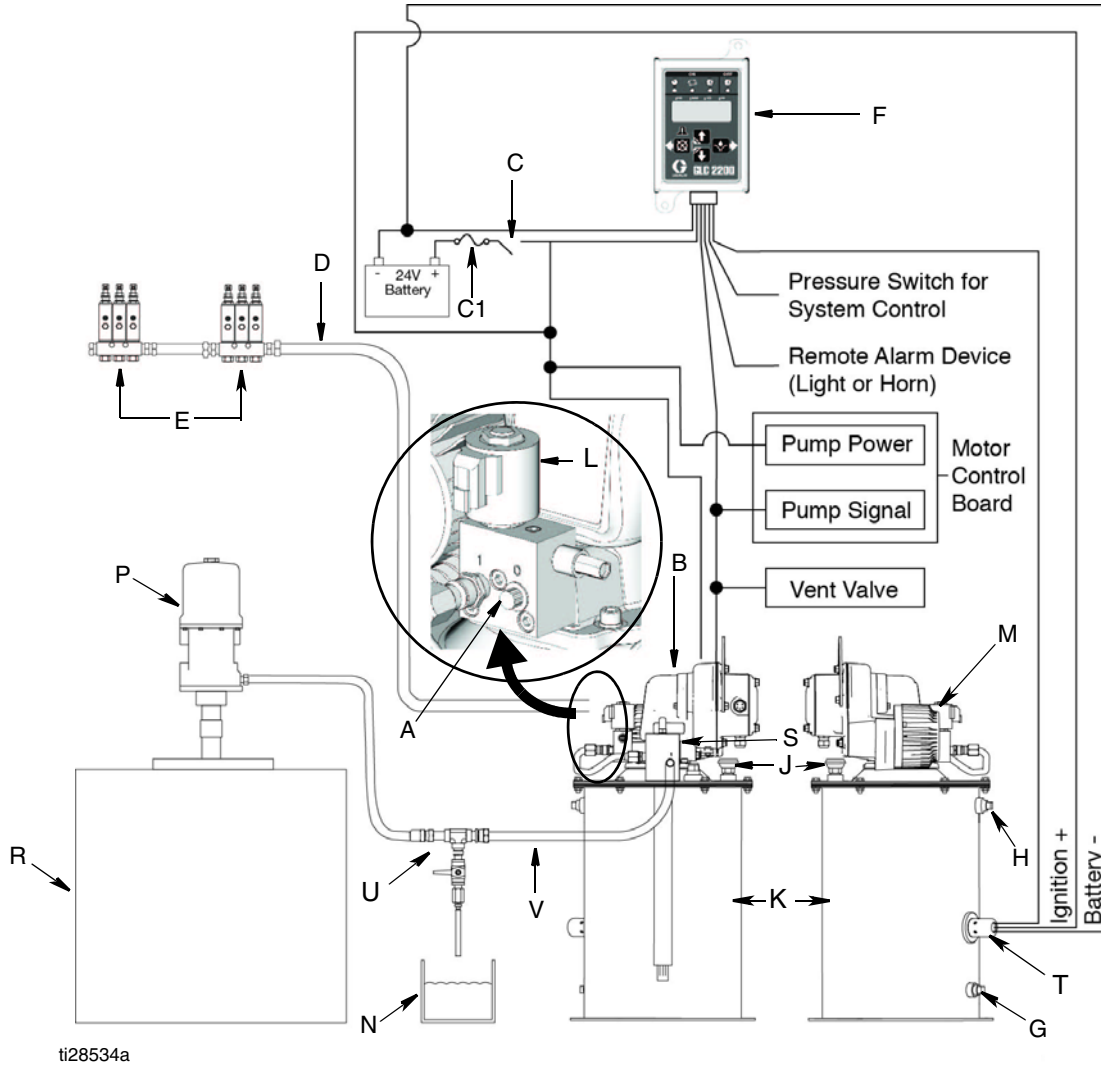


FIG. 1

**Key:**

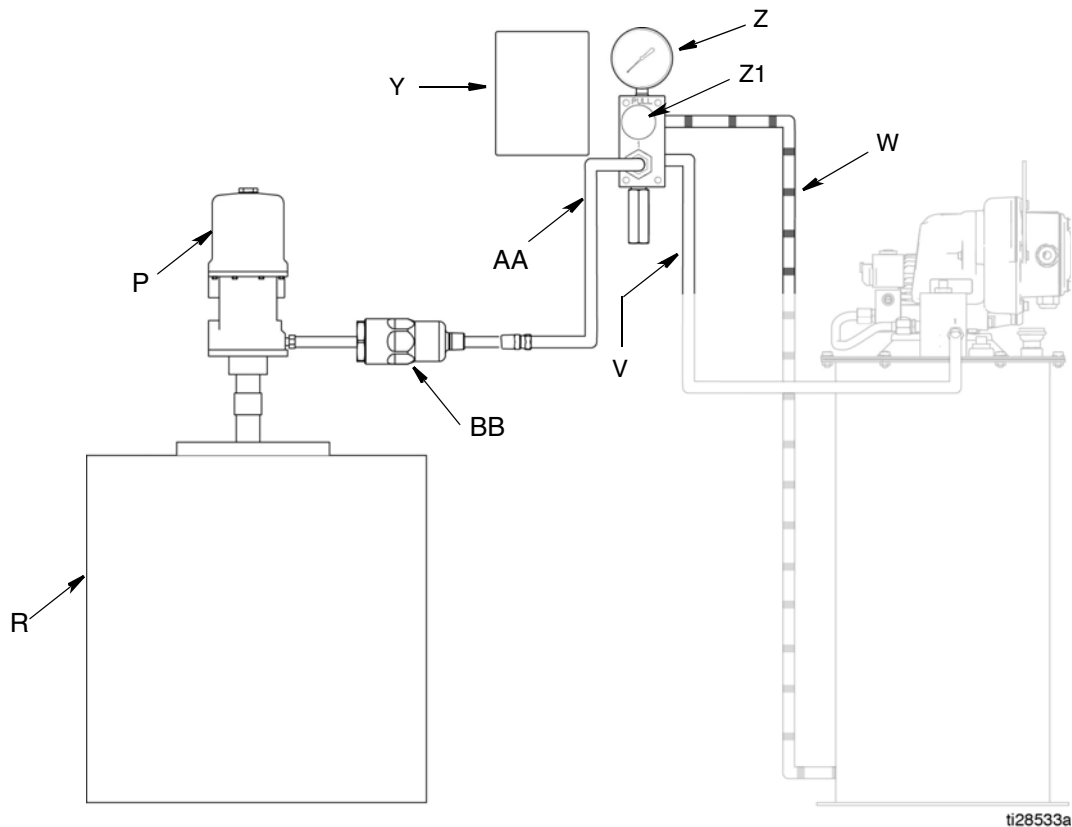
- A Lubricant outlet connection (marked with an "0")
- B Pump
- C Ignition switch
- C1 Fuse
- D High-pressure lubricant supply lines
- E Injector banks
- F Lubrication controller
- G Fill port (not used with Auto-Fill Shut Off)
- H Overflow port (not used with Auto-Fill Shut Off)
- J Breather
- K Reservoir
- L Vent Valve
- M Motor
- N Fluid overflow container
- P Pump - remote filling station
- R Reservoir - remote filling station
- S Auto-Fill Shut Off
- T Low Level Sensor
- U Pressure Relief
- V Supply Hose

## Typical Installation

### Systems with Fill Valve in the Refilling Line

The installation shown is only a guide for selecting and installing system components. Contact your Graco distributor for assistance in planning a system to suit your needs.

**NOTE:** The remote filling station pump stalls (dead-heads) when the reservoir is full. If the pump does not stall (dead-head) there is a leak in the system.



**FIG. 2**

**Key:**

- P Pump - remote filling station
- R Reservoir - remote filling station
- V Supply Hose
- W Pressure Relief Line
- Y Instruction Label
- Z Fill Valve◆
- Z1 Pressure Relief Knob
- AA Refilling Line
- BB Filter

◆ *Install the fill valve (Z) in an easily accessible location between the remote fill station pump (P) and Auto-Fill Shut Off Valve (S).*

*The fill valve is used to relieve pressure in the refilling line and to reset the Auto-Fill Shut Off.*

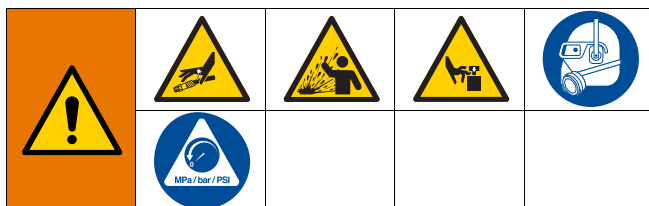
**NOTE:** The components highlighted in FIG. 2 identify the unique features in a Fill Valve installation. See Typical Installation on page 4 for a complete list of the other system components.

# Installation

## Pressure Relief Procedure



Follow the Pressure Relief Procedure whenever you see this symbol.



This equipment stays pressurized until pressure is manually relieved. To help prevent serious injury from pressurized fluid, such as skin injection, splashing fluid and moving parts, follow the Pressure Relief Procedure when you stop dispensing and before cleaning, checking, or servicing the equipment.

To relieve pressure in the system, use two wrenches working in opposite directions on pump outlet fitting to **slowly loosen fitting only** until fitting is loose and no more lubricant or air is leaking from fitting as shown in FIG. 3.

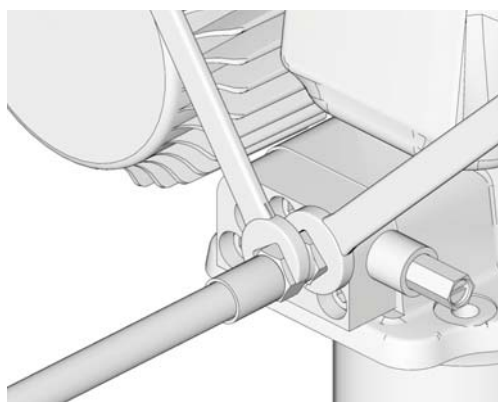
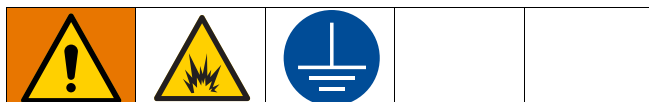


FIG. 3

## Grounding



The equipment must be grounded to reduce the risk of static sparking. Static sparking can cause fumes to ignite or explode. Grounding provides an escape wire for the electrical current.

## System Configuration and Wiring

**NOTE:** Cable wiring harness kits are available from Graco. See Parts page 20 for a complete list of available kits.

### Fuses

NOTICE
<p>Fuses (user supplied) are required on all models. To avoid equipment damage:</p> <ul style="list-style-type: none"> <li>• Never operate the Dyna-Star Pump models without a fuse installed.</li> <li>• A fuse of the correct voltage and amperage must be installed in line with the power entry to the system. Graco recommends using 35A fuses.</li> </ul>

**NOTE:** The pump is equipped with a 6-pin (4 pins are used), M23 connector for use with Graco cable wiring harness kit 77X546. See Parts page 20.

FIG. 4 shows the pump connections when used with Graco Wire Harness 77X546. Also see pages 9 and 10 for connection details when a customer/user supplied wiring harness is used.

# Pump Connection with Graco Wiring Harness 77X546

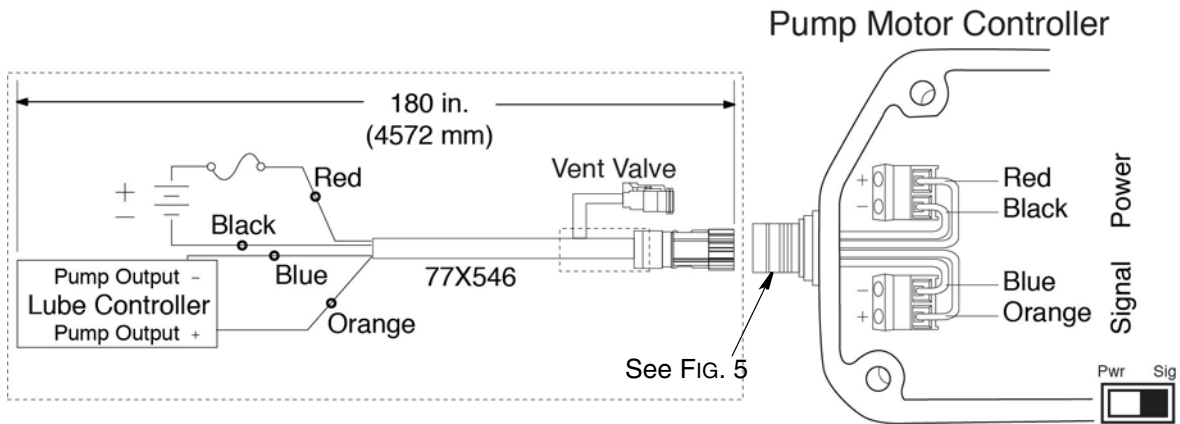


FIG. 4

## Wire Connection Table

Pin	Wire Color	Connection
1	Orange	Signal +
2	Black	Power -
4	Red	Power +
5	Blue	Signal -

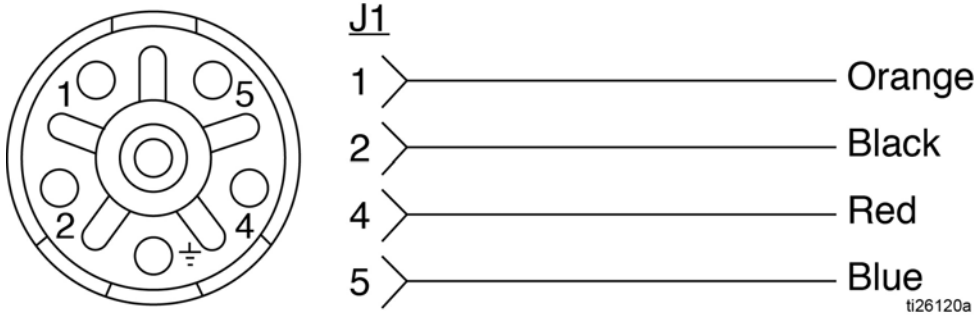
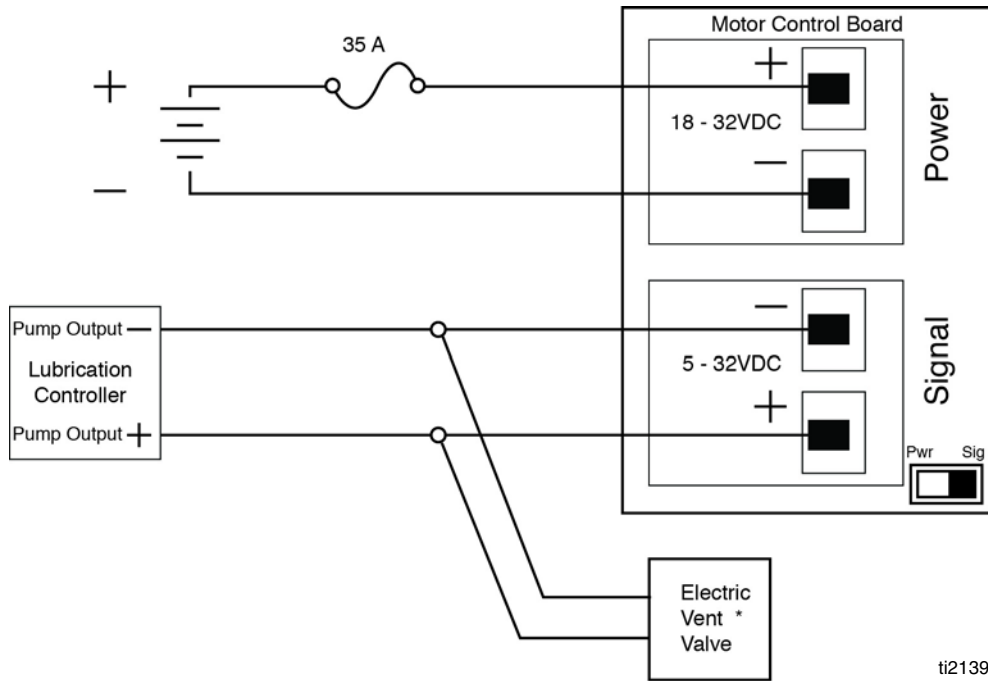


FIG. 5



# User Supplied Wiring Harness

## 24 VDC With Signal Input

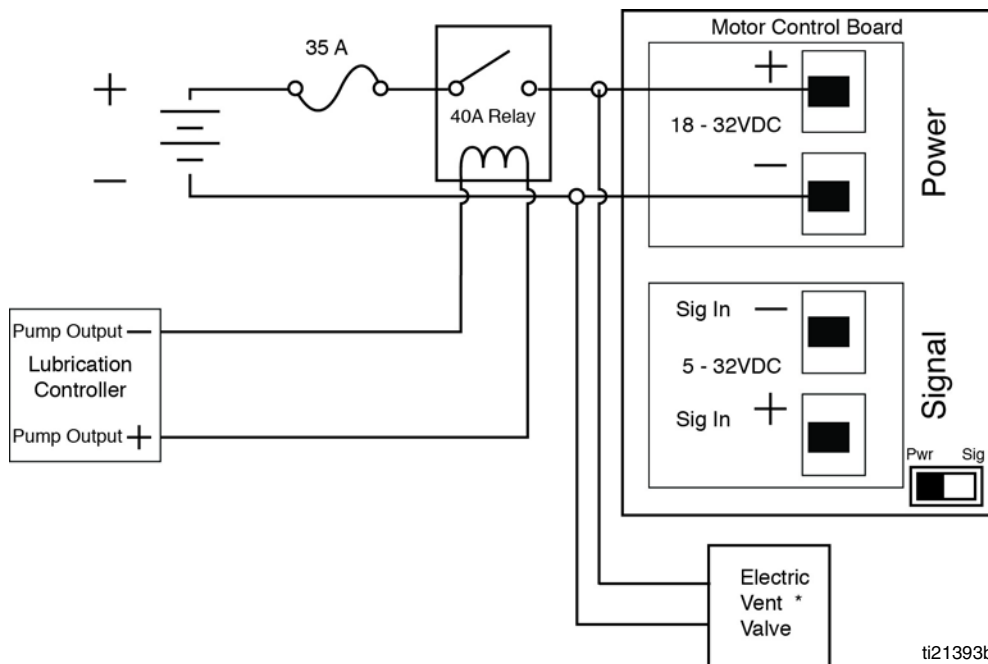


ti21392b

**FIG. 6: Pump control switch shown in signal mode**

*\*A Vent Valve is only used in an injector-based system.*

## 24 VDC With External Relay

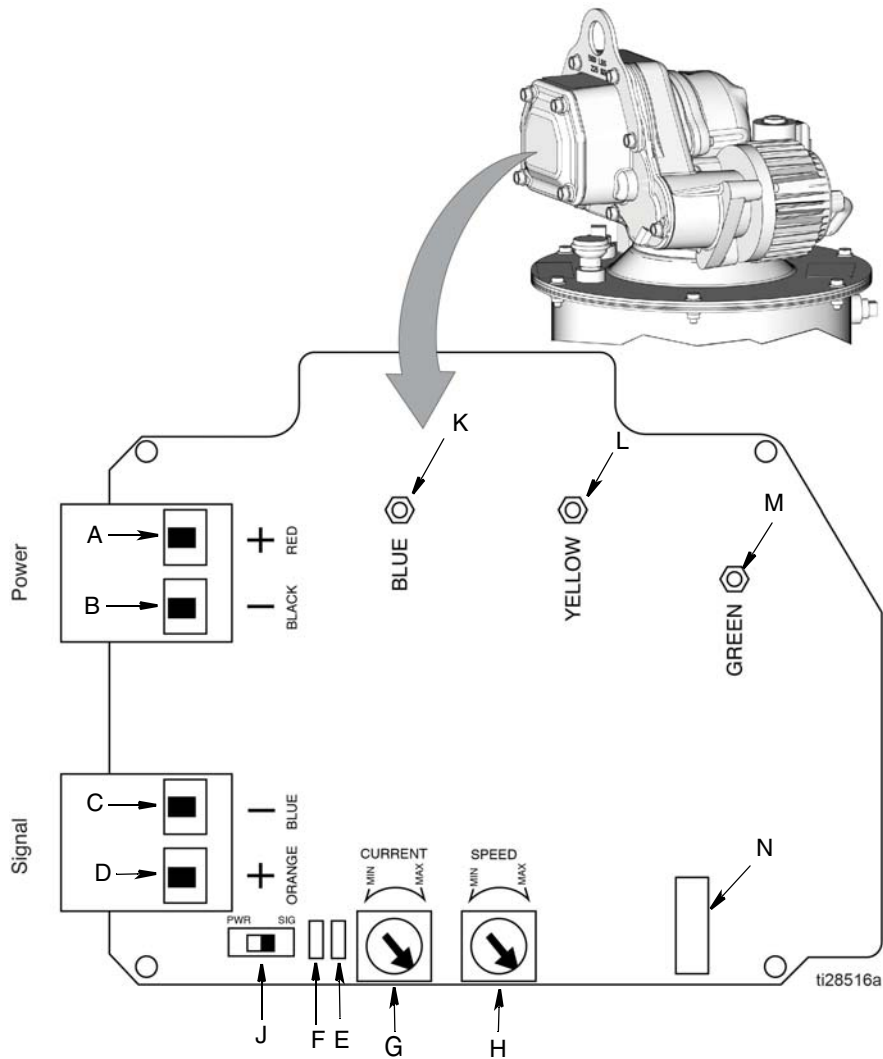


ti21393b

**FIG. 7: Pump controls switch shown in power mode**

*\*A Vent Valve is only used in an injector-based system.*

## Motor Control Board



**FIG. 8**

**Key**

- A + (Positive) Power Input
- B - (Negative) Power Input
- C Turn On Signal -
- D Turn On Signal +
- E Red (Fault) LED - Blinks type of fault (See Fault Table)
- F Green (Power) LED -
  - Blinks: Power ON, Pump running
  - Solid: Power/Pump OFF
- G Current Control Potentiometer (Minimum: Turn Knob Counter-Clockwise / Maximum: Turn Knob Clockwise)
- H Flow Control Potentiometer (Minimum: Turn Knob Counter-Clockwise / Maximum: Turn Knob Clockwise)
- J Pump Control Switch\*
  - PWR - Turns pump on when power is applied

- SIG - Turns pump on when voltage is applied to:
  - SIG IN -
  - SIG IN +
- K Blue Motor Wire Connection
- L Yellow Motor Wire Connection
- M Green Motor Wire Connection
- N J5 Connector - Motor Hall Cable Connector

**\*NOTE:** Be sure power to pump is OFF before switching between the PWR and SIG modes.

### Fault Table: Red LED (E)

Fault	Blinks
Over Current	1
Locked Rotor	2
Low or High Voltage	3
High Motor temp	4
Missing Temp Sensor	5
High Board Temp	6
Bad Hall Cable	7

### Pump Control Operation

**NOTICE**

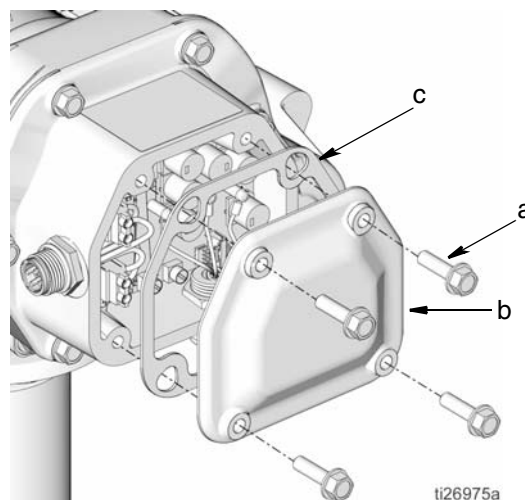
To avoid equipment damage, remove power before switching modes from signal to power or power to signal.

- When the pump control switch (J, FIG. 8 page 10) is set in signal mode, the motor/pump runs when voltage is applied to the signal and power connectors.
- When the pump control switch (J, FIG. 8 page 10) is set in power mode, the motor/pump runs when voltage is applied to the power connectors. The signal connectors do not require voltage.

## Current Control and Flow Motor Control Settings

### Current and Flow Control Adjustment

1. Remove screws (a), cover (b) and gasket (c) to access the control board (FIG. 9).

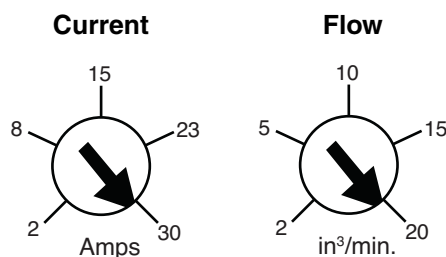


**FIG. 9**

2. Current and Flow control are adjusted on the Motor Control Board using the Current Control Potentiometer Knob (G) and the Flow Control Potentiometer Knob (H) (page 10). The Current Control knob (G) governs pump speed, which in turn governs flow. The Current setting has precedence over the Flow Rate setting. You may be limited in achievable Flow Rate by the Current setting.

Turn knob clockwise to increase setting value.


- Turn knob counter-clockwise to decrease setting value.



**NOTE:** Values are based on lab test conditions at ambient temperature 72°F (22°C) with an input voltage of 24V. Actual results may vary and should be verified in the application.

3. Replace gasket (c) and cover (b) and screws (a), being careful not to pinch any wires. Tighten bolts securely. Torque bolts to 17-19 ft.-lbs (23-26 N.m).

## Reservoir Mounting

				
<p><b>LIFTING HAZARD</b>                  This equipment is heavy. Lifting or moving heavy equipment incorrectly can cause serious injury such as muscle strain or back injuries. To avoid injury:</p> <ul style="list-style-type: none"> <li>• Do not lift or move this equipment without assistance.</li> <li>• Always use a lifting device secured to the pump lift ring when moving or installing this equipment. See Technical Data, page 21 for pump weight.</li> </ul>				

1. Mount Reservoir (K) on sturdy, flat surface with 6 (six) 3/8 inch diameter bolts. Note location of Fill Port (G), Overflow port (H), and Low Level (T) and Lubricant Outlet Connection (A) for easy access once installed.
2. Connect High Pressure Lubricant Supply Line (D) to the Lubricant Outlet Connection (A).
3. Ground system (see **Grounding**). Mount reservoir to grounded chassis member.

## Pump (B)

Pump instructions are provided in the Dyna-Star HP or HF Pump instruction manual 332514 provided with your system.

### Pump Module Operation





The pump module provides lubricant flow and pressure to operate a single line parallel automatic lubrication system.

The module requires an electrical power supply and a timed signal from a lubrication controller (F). Based on these signals, the pump module provides lubricant flow and pressure to operate the injectors (E) and vents the injector system to reset the indicators.

1. At the start of the cycle, the lubrication controller (F) initiates a signal, closing the vent valve (L) and starting the pump (B).
2. The pump (B) builds pressure in supply line (D) until all the injectors have actuated. Then the pressure switch sends a signal to the lubrication controller (F), ending the cycle.

3. The lubrication controller (F) terminates the signal to the pump (B) and power to the vent valve (L).
4. The vent valve (L) opens.
5. Pressure in the supply line (D) is relieved back into the reservoir, resetting all injectors (E).

## Inlet and Outlet Components

				
<p><b>COMPONENT RUPTURE HAZARD</b>                  The maximum working pressure of the inlet and outlet components in the system vary. Over-pressurizing an inlet or outlet can cause it to rupture resulting in property damage and serious injury such as skin injection or injury from splashing fluid. To reduce the risk of component rupture:</p> <ul style="list-style-type: none"> <li>• Be sure to know the maximum working pressure of each inlet and outlet component in the system.</li> <li>• <b>Never</b> exceed the maximum working pressure of the inlet and outlet components.</li> </ul>				

## Vent Valve (L)

The vent valve is used to reduce system pressure and allow the injector to reset. When energized, the valve closes and holds pressure through the outlet port (marked "0") on the vent valve. When de-energized, it vents pressure internally to tank.

Refer to the Dyna-Star HP or HF Vent Valve Kit manual 332515 for installation and operation instructions.

## Refilling Line Requirements

To relieve the stall pressure in the refilling line a pressure relief valve (U) (FIG. 1, page 4) or a fill valve (Z) (FIG. 2, page 6) **must** be installed in the system.

### Systems without Fill Valve

A pressure relief valve (U) and overflow container (N) for collecting excess fluid that drains during pressure relief, must be installed in an easily accessible location between the remote filling station pump (P) and the Auto-Fill Shut Off (S). This pressure relief valve is used to relieve pressure in the refilling line and to reset the Auto-Fill Shut Off. See Typical Installation, page 4.

A Pressure Relief Kit: 247902 is available from Graco. Contact your distributor or Graco Customer Service for additional information about this kit.

### Systems with Fill Valve (Z)

Install the fill valve (Z) in an easily accessible location between the remote fill station pump (P) and Auto-Fill Shut Off Valve (S). See Typical Installation, page 6.

The fill valve is used to relieve pressure in the refilling line and to reset the Auto-Fill Shut Off. See the Fill Valve instruction manual 333393. Graco fill valve, part no. 77X542 is available. Contact your local Graco distributor.

## Refilling Pump (P) Requirements



The remote filling station pump stalls (dead-heads) when the reservoir is full, causing the supply system pressure to rise to the maximum output pressure of the filling station pump. To help prevent equipment damage or serious injury caused by pressurized fluid, such as skin injection or injury from splashing fluid, always use a remote filling station pump with a maximum output pressure of 5000 psi (34 MPa, 344.7 bar) and use a refill line with a pressure rating equal to or greater than the refill pump.

## Low Level Sensor (T)

When grease is present the LED is green. When the lubricant level in the reservoir reaches approximately 30% (low level), the LED turns to an amber color. (See FIG. 10 and the Table below).

Condition	LED COLOR	Out 2 (Pin #2) (See FIG. 12, page 14)
Grease Present	Green	0 VDC
No Grease Present	Amber	24 VDC

### NOTE:

- At 30% capacity, the amber low level signals the tank is reaching a point where the operator should refill the tank. There is still lubricant in the tank and immediate shutdown is not required.
- If you are using a GLC2200 (part number 24N468, Series F or later only), the system will enter a low level warning condition (LL03) after the switch input is closed for more than 1 second. The pump continues to operate.

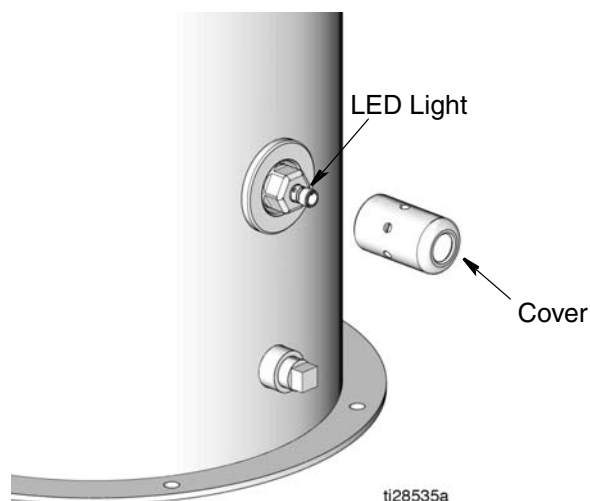


FIG. 10

Keep the sensor protective cover (11b, page 17) installed to prevent sensor damage.

Low Level Sensor Wiring instructions begin on page 14.

**NOTE:** Graco GLC2200 (part number 24N468, Series F or later only) can be used to run the pump and monitor the low level. Refer to FIG. 12 for Low Level Sensor wiring in systems controlled with a GLC2200. A Low Level Sensor cable (part number 129072) and a GLC2200 Wiring Harness (part number 24P314) are required.

Low Level Sensor Wiring with GLC2200 Lube Controller

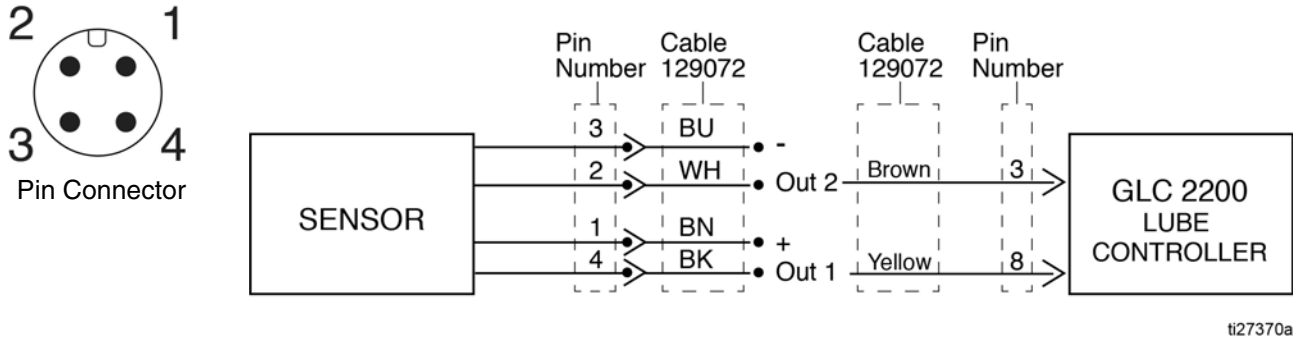


FIG. 11

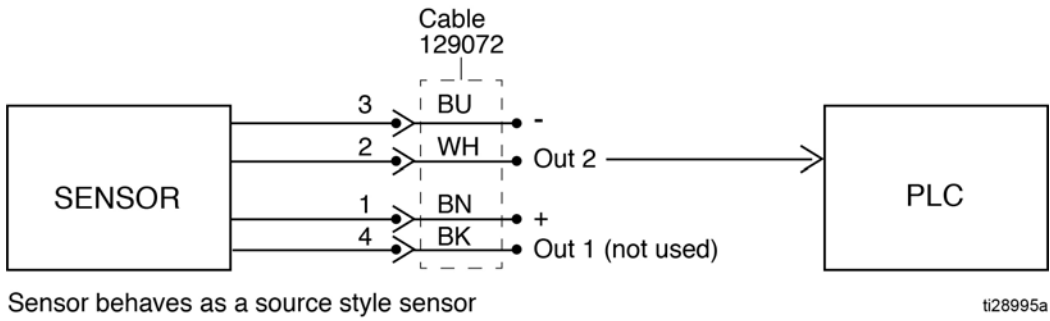


FIG. 12

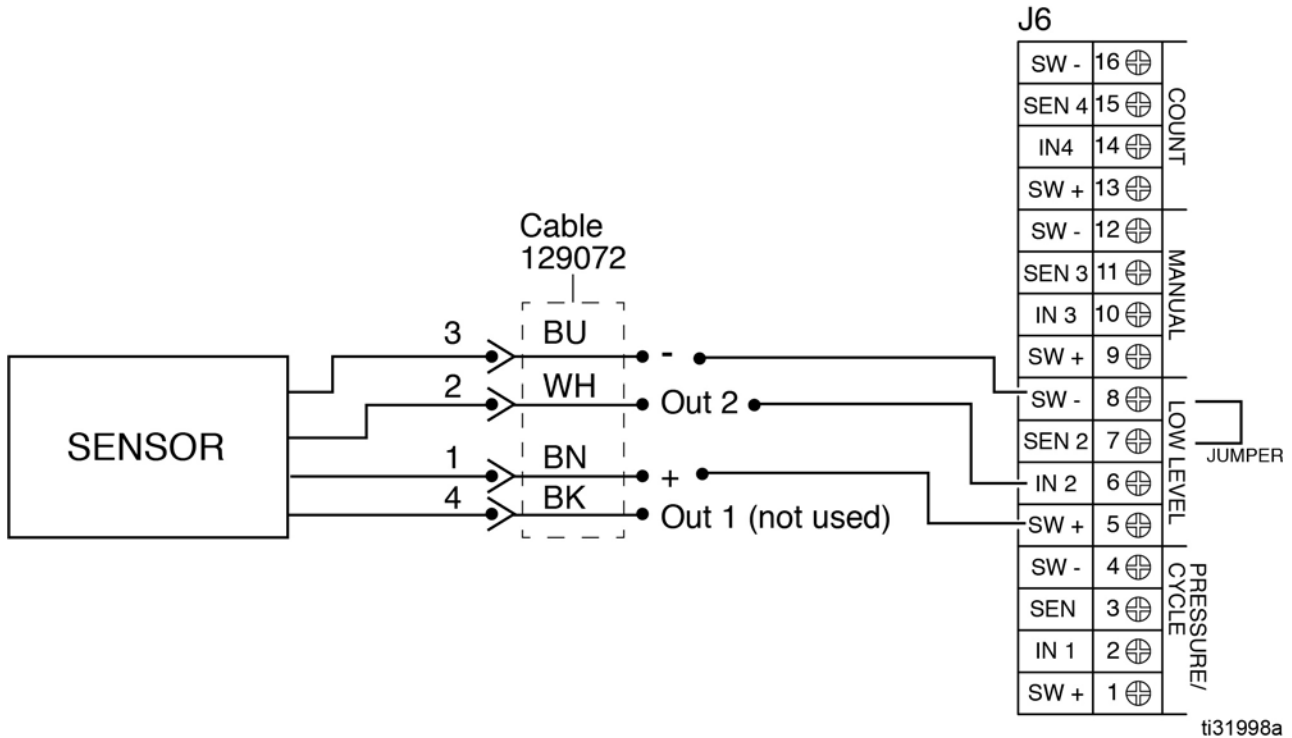


FIG. 13

## Auto-Fill Shut Off

The Auto-Fill Shut Off (S) is used for refilling the grease tank/reservoir in an automatic lubrication system. When the grease level in the tank is full, the Auto-Fill Shut Off automatically ends the filling operation. Refer to the Auto-Fill Shut Off Kit instruction manual 332518 for complete instructions and additional information.

Always fill tank full when refilling tank.

**NOTE:** For systems without a fill valve, see **Refilling Systems without a Fill Valve** instructions beginning on page 15. For systems with a fill valve, see **Refilling Systems with a Fill Valve** beginning on page 16.

As grease is added to the reservoir, it pushes the diaphragm (5b, page 20) up to the top of the reservoir. The diaphragm then pushes the valve pin and closes the inlet fluid path.

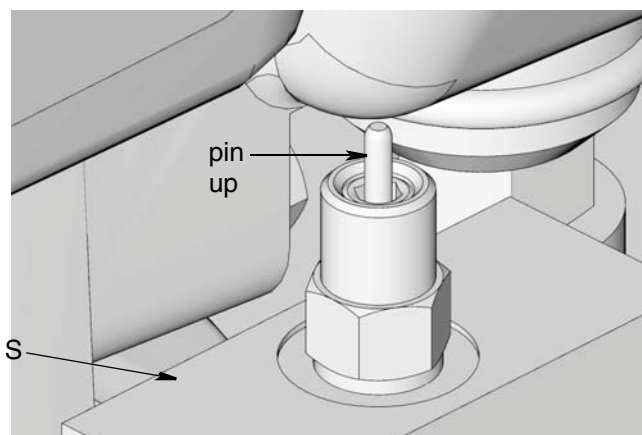
When the fluid refilling path closes, the refilling line pressurizes and brings the refilling pump to a pressurized stall condition.

**NOTE:** The operator must monitor system while filling tank to reduce accidental fluid overflow.

## Refilling the Reservoir

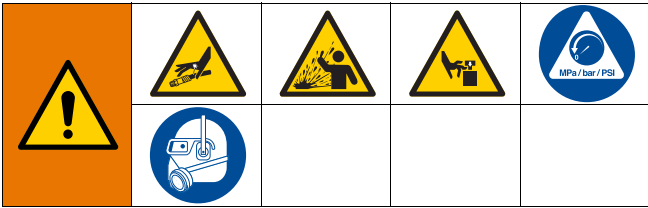
### Refilling Systems without a Fill Valve

1. Connect lubricant supply hose (V) from remote filling station pump to the Auto-fill Shutoff Inlet (FIG. 1, page 4).
2. Turn on remote filling station pump (P) and fill reservoir (K) until the indicator pin on the Auto-Fill Valve (S) pushes up as shown in FIG. 14; pressure in the refilling pump (P) builds and the pump stalls.



**FIG. 14**

3. Turn off air supply to refilling pump (P).



4. Relieve pressure between the remote filling station pump (P) and the Auto-Fill Shut Off (S):

- a. Open ball valve (bv) (FIG. 15). Pressure will be released and excess fluid will drain out of the drain tube (dt) and into the lubrication collection container (N).

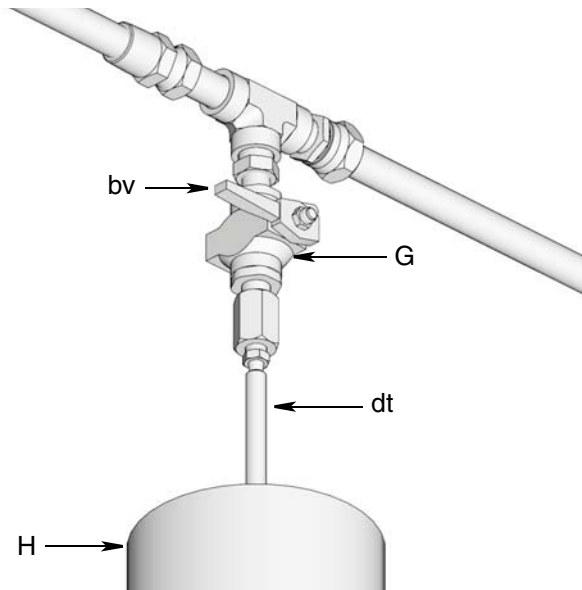


FIG. 15: In line installation shown

- b. Close ball valve (bv) when all pressure has been relieved.

**NOTE:** The pin may not drop and the Auto-Fill Shut Off may not reset because the tank is full. However, when the pump begins using the grease, the pin resets. The pin must reset before the next cycle of refilling.

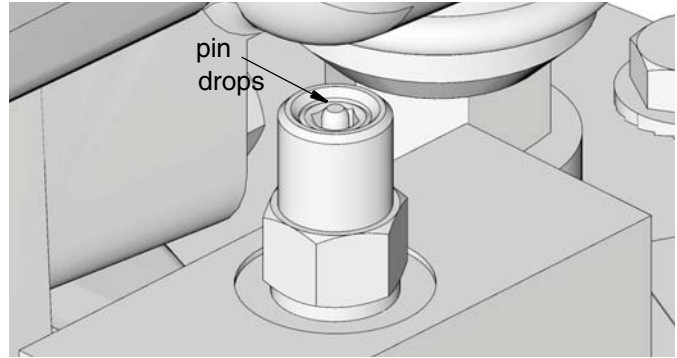


FIG. 16

- 5. Disconnect lubrication supply hose from Auto-Fill (S).
- 6. Install plugs in the Auto-Fill Shut Off inlet and the refilling line (V) to prevent contaminants from entering the pump.

### Refilling Systems with a Fill Valve (Z)

The reference letters used in the following instructions refer to the Typical Installation diagrams provided, FIG. 2, page 6.

- 1. Prior to starting the fill, pull out and hold black Pressure Relief Knob (Z1) long enough to relieve line pressure between Fill Valve (Z) and Auto-Fill Shut Off Valve (S).

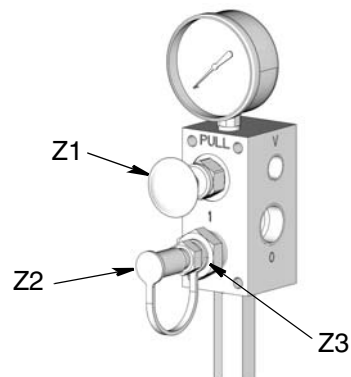


FIG. 17



- Verify the Auto-Fill Shut Off (S) pin is down, indicating it is reset (FIG. 18).

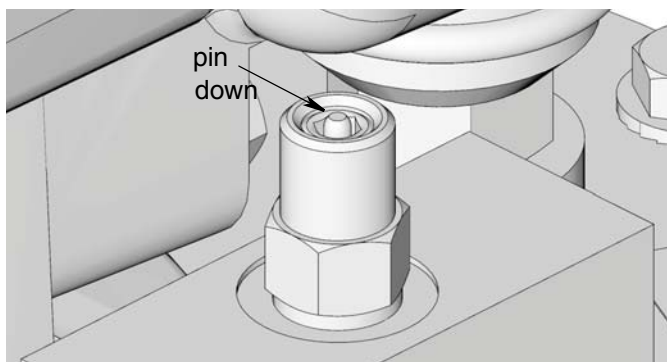


FIG. 18

- Remove yellow dust cover (Z2) from fill coupler (Z3) (FIG. 17).
- Connect refilling line (AA) between the remote filling stations pump (P) and fill coupler (Z3) port marked with an "1" (FIG. 17).
- Start remote filling station pump (P).
- When reservoir (K) is filled:
  - the Remote filling station pump (P) stalls (dead-heads),
  - Auto-Fill Shut Off (S) pin pops up see FIG. 19,
  - the gauge pressure in the refilling lines (V and AA) rises to the fill pump's set pressure.

**NOTE:** If the pump does not stall (dead-head) there is a leak in the system.

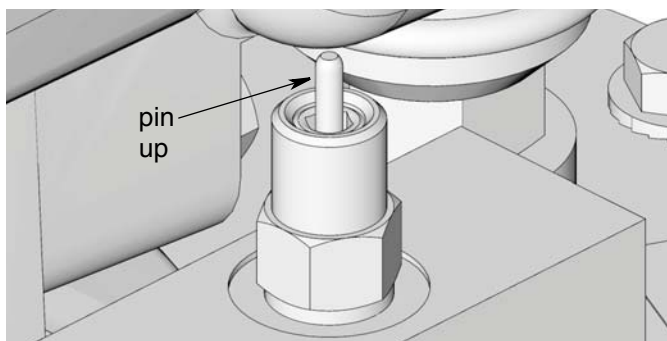


FIG. 19



- Relieve pressure between remote filling station pump (P) and the fill valve (Z):
    - Turn off the remote filling station pump (P).
    - Pull out and hold black pressure relief knob (Z1) long enough to relieve line pressure between fill valve (Z) and Auto-Fill Shut Off Valve (S) and between the remote filling station pump (P) and fill valve (Z).
- NOTE:** The length of time it takes to vent varies depending on the system design and installation. In some installations it may be necessary to repeat Step b to ensure pressure is relieved.
- Disconnect the refilling line (AA) at the fill coupler (Z3).
  - Replace the yellow dust cover (Z2).

## Service

**Use only Genuine Graco Repair Parts.**

See separate system component manuals for service instructions. For pump service see manual 332514. For vent valve service see manual 332519.

# Troubleshooting



Problem	Cause	Solution
Pump (B) is not running; i.e., not cycling, there is no lubricant output, pump runs slow, the control board's red LED fault is illuminated, etc.	Pump (B) malfunction.	Refer to the pump manual 332514.
Lubricant is leaking from pressure relief.	Blockage in the line.	Check for blockage in the line. Clear blockage.
	Pressure switch not actuated/mal-functioning.	Check switch wiring Replace pressure switch
	Pressure switch set too high.	Reduce system pressure
Lubricant coming out of breather (J).	Reservoir (K) overfilled because Auto-Fill Shut Off (S) did not shut the refilling line (D).	Replace the Auto-Fill Shut Off diaphragm (5b) and Auto-Fill Shut Off valve (5a). Refer to manual 332518.
Refilling pump (P) slows down or stalls and no output at the fill valve (Z).	Auto-Fill Shut Off Valve (S) has not reset	Relieve all refilling line (AA) pressure. see page 13.
		Make sure Auto-Fill Shut Off (S) pin is down. See FIG. 16, page 16.
Refilling pump (P) runs continuously but does not stall.	Leakage in the system	Inspect the refilling line (V) and correct any leaks.
	Reservoir (K) overfilled because Auto-Fill Shut Off (S) did not close the refill line.	Replace the Auto-Fill Shut Off diaphragm (5b) and Auto-Fill Shut Off Valve (5a). Refer to manual 332518.

Problem	Cause	Solution
<p>Low level alarm did not come on but pump cavitates (runs out of grease).</p> <p>or</p> <p>Pressure is not building in the system and a “no pressure” error is initiated</p>	<p>Low level sensor malfunction</p>	<p>Check sensor LED. If green, tank has grease but pump is not able to pump grease. See Troubleshooting instructions in pump manual 332514.</p>
		<p>Check sensor LED. If amber, tank has no grease. check wiring between sensor and alarm.</p>
		<p>Check sensor LED. If there is no light, check sensor wiring to verify there is power to the sensor.</p>
	<p>Pressure switch malfunction</p>	<p>Check pressure switch wiring</p>
<p>Low pressure or no pressure in the system</p>	<p>Check piping for leaks. If a leak is detected, repair or replace piping.</p> <p>Check injectors for leaks. If a leak is detected repair or replace injectors.</p>	
<p>Low level alarm is activated and continuous but the reservoir is filled with grease</p>	<p>Low level sensor malfunction</p>	<p>Check sensor wiring.</p>

# Parts List:

Ref. No.	Part No.	Description	Qty
1	77X011	KIT, pump and vent valve, 60#, includes 1a and 1b	1
	77X012	KIT, pump and vent valve, 90#, includes 1a and 1b	1
1a		PUMP, Dyna-Star, see instruction manual 332514	1
1b		VENT VALVE, see instruction manual 332519	1
3		RESERVOIR, grease, includes 3a-3l	1
3a		. PLUG, pipe	2
3c		. NUT, flanged, hex	6
3d		. SCREW, cap, flange head	6
3e		. BREATHER	1
3f	194868	. GASKET, cover	1
3g		. PAIL, reservoir,	1
3h	16V394	. COVER, reservoir	1
3i	104663	. PLUG, pipe	1
3j	109114	. SCREW, cap	4
3k	15M442	. GASKET, pump	1
3l	104572	. WASHER, lock, spring	4
5	77X521	VALVE, auto-fill shut off, see instruction manual 332518	1
5a		VALVE, auto shut off	1
5b		DIAPHRAGM, assembly	1
5c		TUBE, vent valve	1
5d		FITTING, connector, 3/8 in. npt* x JIC	2
5e		BOLT, M8 x 1.25 x 2 mm	2
5f		SEAL, auto shutoff valve	1
8▲	195341	LABEL, notice, breather	1
9▲	16U728	LABEL, over pressurize warning	1
10▲	16U727	LABEL, pinch warning	1
11		LOW LEVEL	
11a	17L372	SWITCH, low level (includes 11c)	1
11b		COVER, low level	1
11c		O-RING	

▲ Replacement Danger and Warning labels, tags and cards are available at no cost.

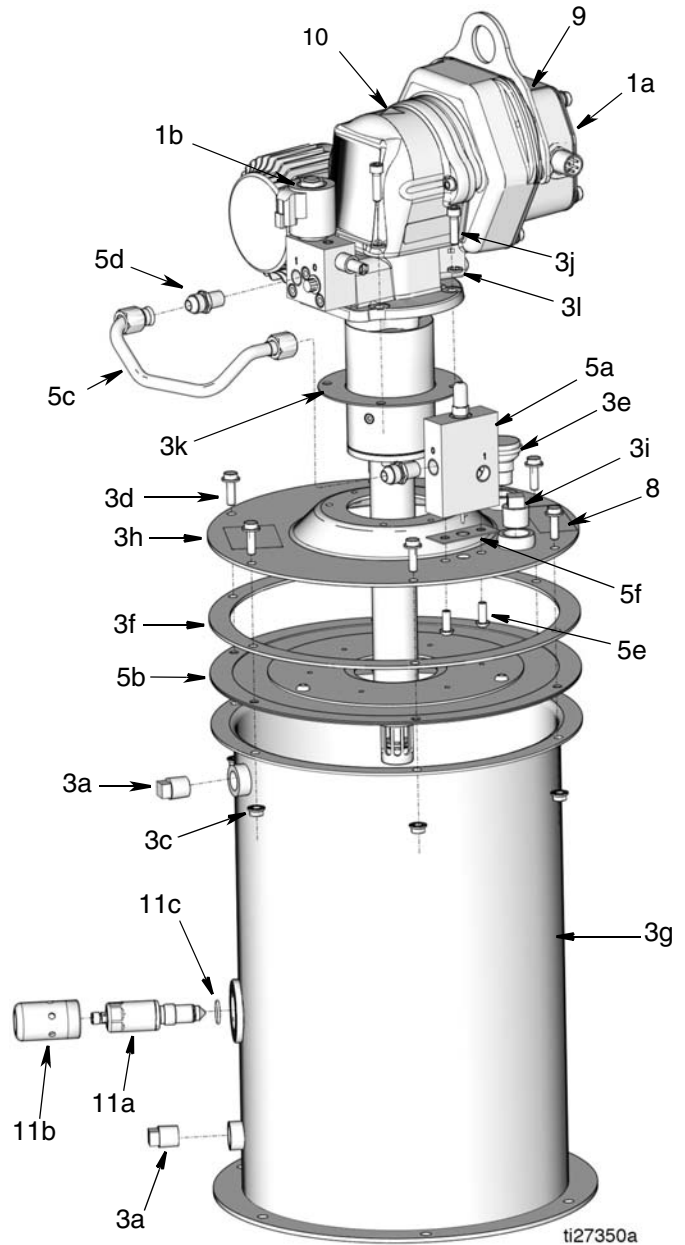
## Accessories

### Part No. Description

24N468 GLC2200 Lube Controller (Series F or later only)

### Cable Harness Kits

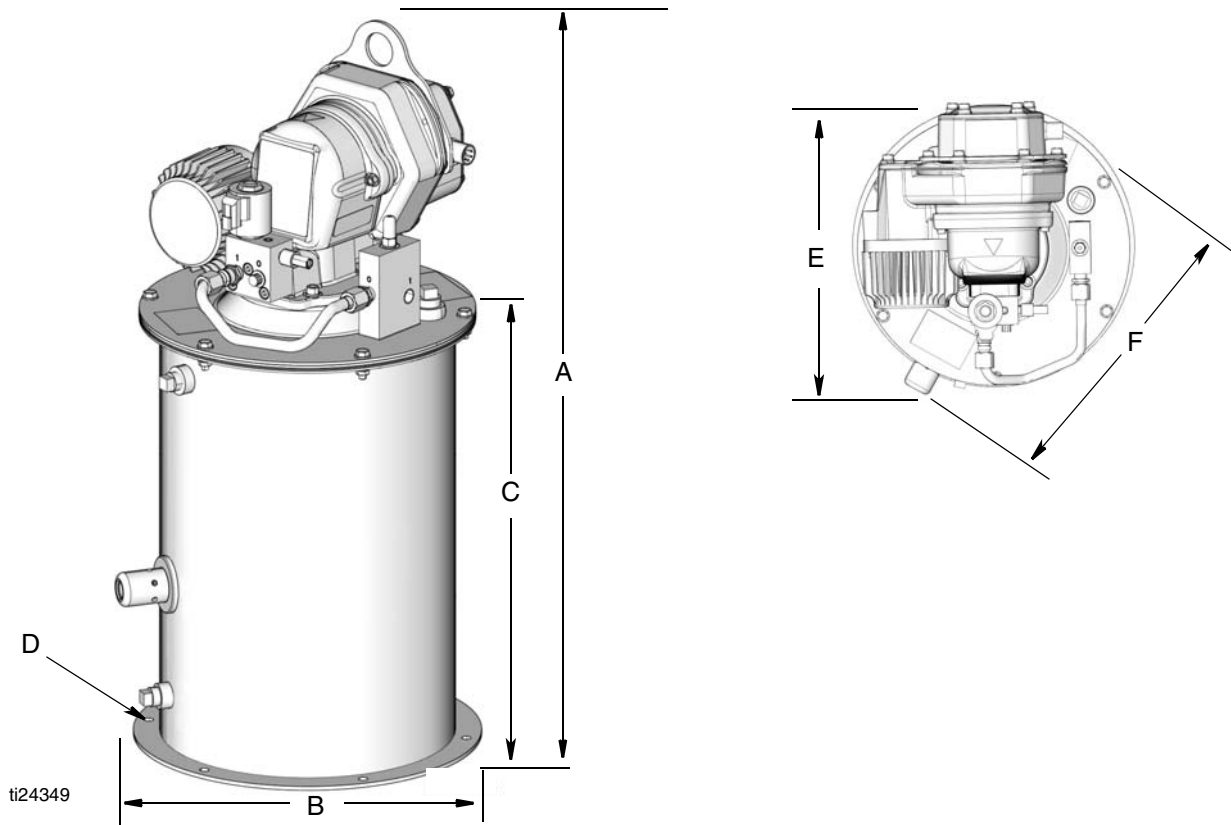
- 129072 CABLE, low level
- 77X546 CABLE, power, straight, 15 feet, with vent valve. Use with 77X551
- 24N402 CABLE, 6 ft, vent valve, 2 pin for vent valve control
- 24P314 CABLE, GLC2200 Wiring Harness



# Technical Data

<b>Dyna-Star Pump</b>		
	<b>US</b>	<b>Metric</b>
Maximum working pressure	3500 psi	24.1 MPa, 241 bar
Grease capacity	60 lb.	27 kg
	90 lb	41 kg
Lubricant outlet port size	3/8 npt (f)	
Fill port size (Auto-Fill Shut Off)	3/8 npt (FIG. 1, page 4)	
Pump electrical requirements	See Dyna-Star HP and HF Pump manual: 332514	
Pump wetted parts	See Dyna-Star HP and HF Pump manual: 332514	
Reservoir wetted parts	steel, buna-n rubber	
Vent valve wetted parts	See Dyna-Star HP and HF Vent Valve Kit manual: 332519	
Sound data	See Dyna-Star HP and HF Pump manual: 332514	
Dry pump weight		
Model 77X202 - 60#	105 lbs	48 kg
Model 77X203 - 90#	115 lbs	52 kg
<b>Low Level Sensor</b>		
Operating voltage	24 VDC	
Sensor current consumption	<50 mA	
Protection	IP69K	
Connector	M12 connector	
Housing materials	stainless steel, PEEK; PEI, FKM	
Wetted parts	PEEK	

# Dimensions



Ref	60 lb Models		90 lb Models	
	US (inch)	Metric (cm)	US (inch)	Metric (cm)
A	30.5	77.47	38.0	96.52
B	14.5	36.83	14.5	36.83
C	19.4	49.28	27.0	68.6
D	six, 7/16 inch $\varnothing$ hole 13 7/8 inch bolt circle		six, 7/16 inch $\varnothing$ hole 13 7/8 inch bolt circle	
E	14.5	36.83	14.5	36.83
F	16.13	40.97	16.13	40.97



# Graco Standard Warranty

Graco warrants all equipment referenced in this document which is manufactured by Graco and bearing its name to be free from defects in material and workmanship on the date of sale to the original purchaser for use. With the exception of any special, extended, or limited warranty published by Graco, Graco will, for a period of twelve months from the date of sale, repair or replace any part of the equipment determined by Graco to be defective. This warranty applies only when the equipment is installed, operated and maintained in accordance with Graco's written recommendations.

This warranty does not cover, and Graco shall not be liable for general wear and tear, or any malfunction, damage or wear caused by faulty installation, misapplication, abrasion, corrosion, inadequate or improper maintenance, negligence, accident, tampering, or substitution of non-Graco component parts. Nor shall Graco be liable for malfunction, damage or wear caused by the incompatibility of Graco equipment with structures, accessories, equipment or materials not supplied by Graco, or the improper design, manufacture, installation, operation or maintenance of structures, accessories, equipment or materials not supplied by Graco.

This warranty is conditioned upon the prepaid return of the equipment claimed to be defective to an authorized Graco distributor for verification of the claimed defect. If the claimed defect is verified, Graco will repair or replace free of charge any defective parts. The equipment will be returned to the original purchaser transportation prepaid. If inspection of the equipment does not disclose any defect in material or workmanship, repairs will be made at a reasonable charge, which charges may include the costs of parts, labor, and transportation.

**THIS WARRANTY IS EXCLUSIVE, AND IS IN LIEU OF ANY OTHER WARRANTIES, EXPRESS OR IMPLIED, INCLUDING BUT NOT LIMITED TO WARRANTY OF MERCHANTABILITY OR WARRANTY OF FITNESS FOR A PARTICULAR PURPOSE.**

Graco's sole obligation and buyer's sole remedy for any breach of warranty shall be as set forth above. The buyer agrees that no other remedy (including, but not limited to, incidental or consequential damages for lost profits, lost sales, injury to person or property, or any other incidental or consequential loss) shall be available. Any action for breach of warranty must be brought within two (2) years of the date of sale.

**GRACO MAKES NO WARRANTY, AND DISCLAIMS ALL IMPLIED WARRANTIES OF MERCHANTABILITY AND FITNESS FOR A PARTICULAR PURPOSE, IN CONNECTION WITH ACCESSORIES, EQUIPMENT, MATERIALS OR COMPONENTS SOLD BUT NOT MANUFACTURED BY GRACO.** These items sold, but not manufactured by Graco (such as electric motors, switches, hose, etc.), are subject to the warranty, if any, of their manufacturer. Graco will provide purchaser with reasonable assistance in making any claim for breach of these warranties.

In no event will Graco be liable for indirect, incidental, special or consequential damages resulting from Graco supplying equipment hereunder, or the furnishing, performance, or use of any products or other goods sold hereto, whether due to a breach of contract, breach of warranty, the negligence of Graco, or otherwise.

## **FOR GRACO CANADA CUSTOMERS**

The Parties acknowledge that they have required that the present document, as well as all documents, notices and legal proceedings entered into, given or instituted pursuant hereto or relating directly or indirectly hereto, be drawn up in English. Les parties reconnaissent avoir convenu que la rédaction du présente document sera en Anglais, ainsi que tous documents, avis et procédures judiciaires exécutés, donnés ou intentés, à la suite de ou en rapport, directement ou indirectement, avec les procédures concernées.

## Graco Information

For the latest information about Graco products, visit [www.graco.com](http://www.graco.com).

For patent information, see [www.graco.com/patents](http://www.graco.com/patents).

**TO PLACE AN ORDER, contact your Graco distributor or call to identify the nearest distributor.**

**Phone: 612-623-6928 or Toll Free: 1-800-533-9655, Fax: 612-378-3590**

*All written and visual data contained in this document reflects the latest product information available at the time of publication.  
Graco reserves the right to make changes at any time without notice.*

Original instructions. This manual contains English. MM 3A3956

**Graco Headquarters:** Minneapolis

**International Offices:** Belgium, China, Japan, Korea

**GRACO INC. AND SUBSIDIARIES • P.O. BOX 1441 • MINNEAPOLIS MN 55440-1441 • USA**  
**Copyright 2016 Graco Inc. All Graco manufacturing locations are registered to ISO 9001.**

[www.graco.com](http://www.graco.com)

Revision C, August 2017