



HFR Metering System

Hydraulic Fixed Ratio Metering System for Sealants and Adhesives



Improve your throughput with advanced dispensing technology

- Consistent material flow
- Accurate, on-ratio dispensing
- Precision dispensing saves material waste, reducing scrap and rework in your plant

PROVEN QUALITY. LEADING TECHNOLOGY.

Precision Dispensing Technology

Advanced dispensing that improves your output

The rules have changed

The Graco HFR™ Metering System is a meter, mix and dispense system that processes multiple sealant and adhesive materials – from elastomers to epoxies. Its modular design, combined with Graco technologies and precision dispensing capabilities give you a system that is advanced and reliable, yet affordable.

Accurate, on-ratio dispense means less waste, more profits

This hydraulic, fixed ratio metering system consistently achieves accurate ratios and volumes. As the system dispenses material, it automatically fine-tunes and adjusts material flows and pressures to achieve a consistent bead. As a result, you waste less material, reducing scrap and rework.

More technology for less capital investment

The Graco HFR offers advanced technology and functionality – at a lower price than basic shot meters or gear pumps. A low initial investment allows you to participate in industries where it may not have been possible before

You benefit from a lower total cost of ownership

The system's horizontal pumps can be rebuilt at your facility, eliminating costly rebuilds and the need for backup pumps. Less downtime, reduced maintenance costs, and lower parts inventory mean more profits for your company.

Materials

- Urethanes
- Polysulfides
- Epoxies
- Acrylics
- Methyl Methacrylate Adhesive (MMA)
- Silicones
- Filled and unfilled materials

Applications

- Batch processing
- Potting
- Encapsulating
- Vacuum infusion
- Automated bead applications
- Pultrusion

Industries

- Insulated glass
- Medical
- Solar
- Transportation
- Flexible packaging
- Composites
- General assembly



Technology that Boosts Productivity

Easy set-up, material monitoring capabilities and advanced dispensing technology

Modular design gives you exactly what you need

A modular design gives you the freedom and flexibility to configure the components that are essential for your specific application requirements – no more, no less. Standard configured equipment can be delivered to your door much faster than a custom solution. Plus it's easier to use and service than custom equipment because you use standard parts. And with Graco's established global distribution network, service is there when you need it.

Advanced Display Module

- Provides easy setup, monitoring and system diagnostics
- USB drive for data reporting
- Stores 100 shot sizes and five sequences of 20 positions each
- Flow rate is settable through ADM or communications gate way

Motor Control Module

- In constant communication with the Advanced Display Module, the Motor Control Module makes real-time adjustments to deliver a highly precise dispense
- Closed-loop technology provides pressure and flow control for a smooth dispense

Graco Z-Series Horizontal Pumps

- Provide precision control to eliminate pressure spikes
- Positive displacement pumps include easy-to-replace cartridge packings, seals, elastomeric and pumps seats
- Small footprint saves valuable space in your plant
- 48W x 34D x 59H in (122 x 150 x 86 cm)

Fluid Regulators

- Manage inbound pressures

Fully Configurable

- Select what you need for your material and application – no more, no less
- Shorter lead time than custom solutions
- Standard wear parts are quickly available



Z-Series
Piston
Pumps



Technology that Boosts Productivity

Easy set-up, material monitoring capabilities and advanced dispensing technology

Intuitive, easy to use controls

The Advanced Display Module provides:

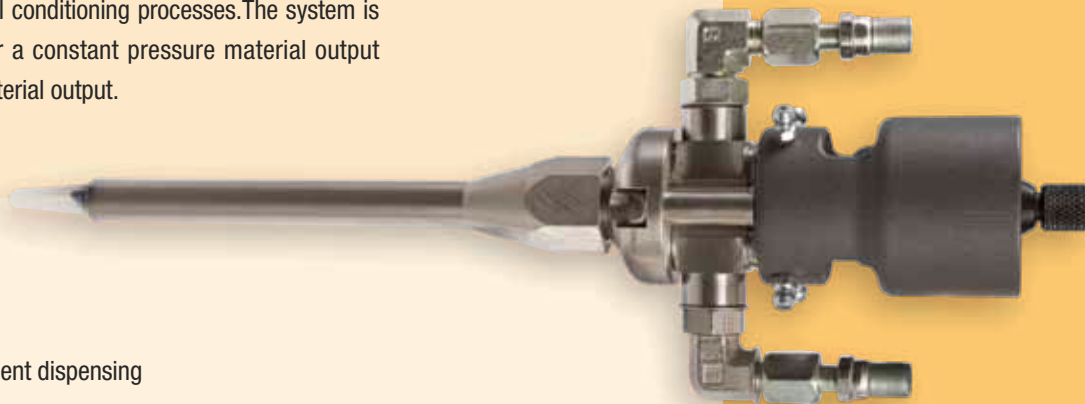
- Programmable shot sizes and sequencing – up to 100 different shot sizes and five sequences of 20 positions each
- Easy configuration of integrated temperature controls
- Immediate access to error/event history
- Material usage and pump cycle counter

Communications interface for easy data downloads

- USB lets you download process data and error/event logs onto a flash drive for further analysis
- Allows you to archive valuable setup parameters

Improved process performance

Material dispensing reaches a new level of precision due to proprietary algorithms and adaptive technology. The Graco Metering System uses advanced controls to monitor the system and control the dispensing and material conditioning processes. The system is capable of producing either a constant pressure material output or a constant flow rate material output.



MD2 Dispense Valve

- For accurate two-component dispensing
- Designed with fewer parts
- Easy to clean, minimizes maintenance time and costs
- Complete modular design adapts to different installation needs
- No unique tools needed
- Handles a range of materials
- Lever-actuated dispense valve or manual dispense gun options available

Contact us today!

To receive product information or talk with a Graco representative, call 800-746-1334 or visit us online at www.graco.com.

