

Parts



ExactaBlend™ AGP Advanced Glazing Proportioner

332452T

EN

**For dispensing two component silicone, polysulfide, and urethane materials.
For professional use only.**

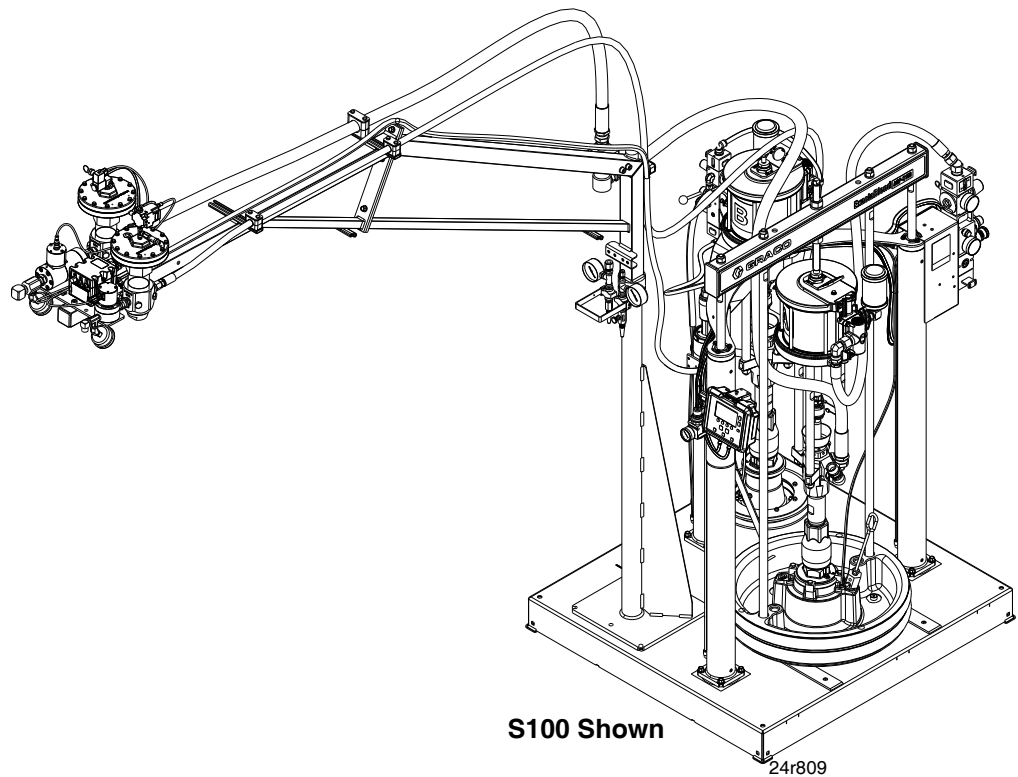
Not approved for use in explosive atmospheres or hazardous locations.

Refer to the ExactaBlend AGP Advanced Glazing Proportioner, Setup-Operation manual for maximum working pressure and model information.



Important Safety Instructions

Read all warnings and instructions in this manual and the ExactaBlend AGP Advanced Glazing Proportioner, Setup-Operation manual. Save all instructions.



Related Manuals

Refer to ExactaBlend AGP Advanced Glazing Proportioner, Setup-Operation manual 3A2894 for the complete list of related manuals.

Contents

Related Manuals	2
S100 Series Parts	4
55 Gallon/5 Gallon (200 Liter/20 Liter) Base Machine	4
5 Gallon/5 Gallon (20 Liter/20 Liter) Base Machine	15
U100 Series Parts	24
U100 Base Machine	24
P100 Series Parts	38
P100 Base machine	38
Universal Parts	50
55 gallon Air Cylinder, 24R489	50
5 gallon Air Cylinder, 24R640	52
61:1 Checkmate Pump (S100 and P100 Models Only), 24P927	54
Electrical Enclosure, 24R498	56
Boom Assembly, 24X010	58
High Volume Hose, 24R662	60
Hose Kits	61
Dispense Valves	66
Graco Standard Warranty	72
Graco Information	72

S100 Series Parts

55 Gallon/5 Gallon (200 Liter/20 Liter) Base Machine

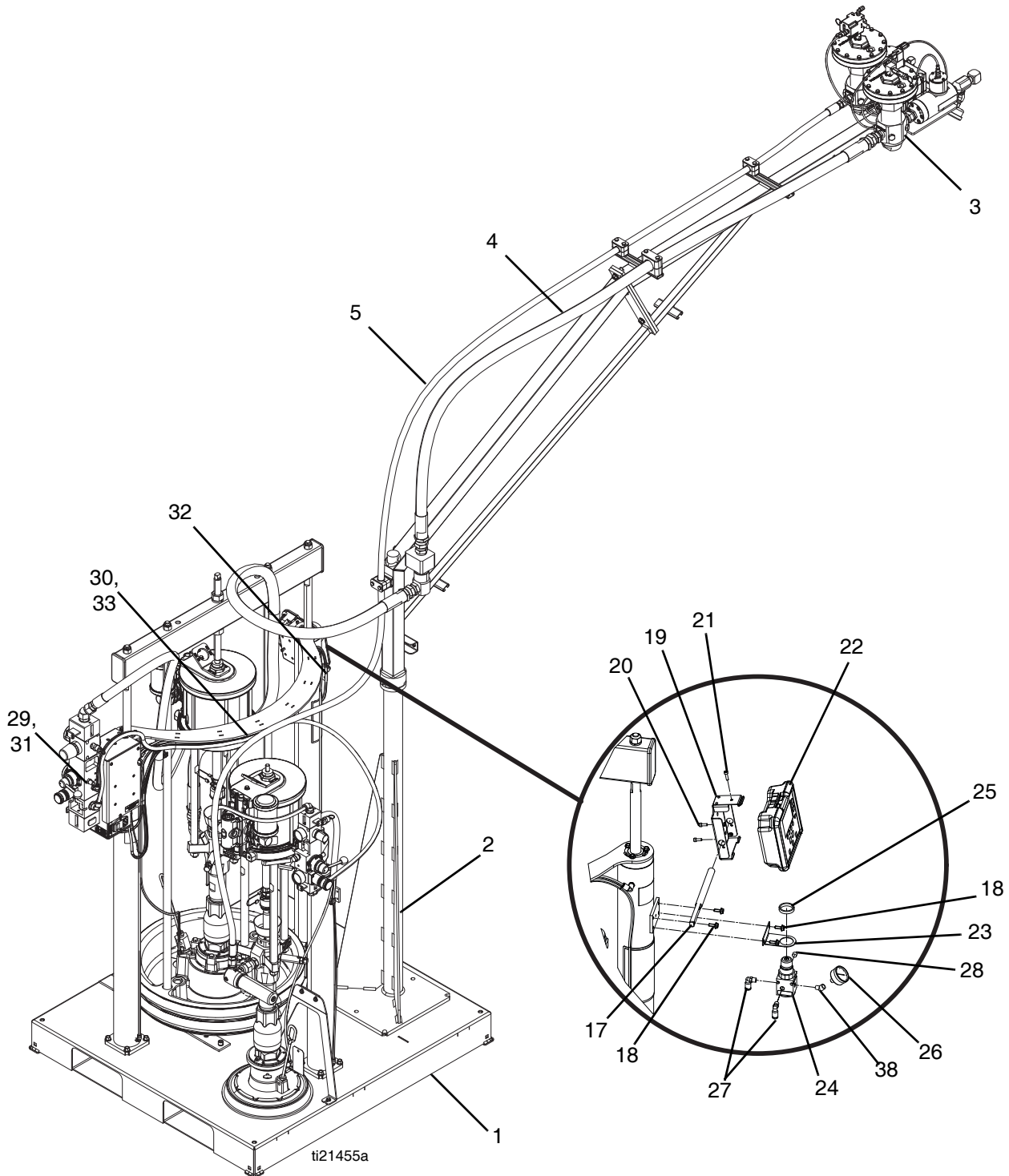


Fig. 1: S100 55/5 Gallon (200/20 Liter) Base machine

Ref	Part	Description	Quantity	
			24R809, SYSTEM, 100cc/100cc, boom	24R810, SYSTEM, 100cc/100cc
1	---	BASE, 55gal/5gal, S100	1	1
2	24X010	MODULE, boom	1	
3	---	MODULE, fluid plate, S100	1	1
4	24R662	HOSE, assembly, high volume	1	1
5	24R663	HOSE, assembly, low volume	1	1
10*	16V853	SOFTWARE, GCA	1	1
17	---	BAR, bracket, ram, DM	1	1
18	---	SCREW, machine, hex flange	4	4
19	---	BRACKET, mounting, assembly	1	1
20	---	SCREW, M5x14mm	2	2
21	---	SCREW, socket head, M5x18mm	1	1
22	24T001	MODULE, GCA, DM	1	1
23	---	BRACKET, mounting, regulator	1	1
24	110341	REGULATOR, air	1	1
25	110209	NUT, regulator	1	1
26	108190	GAUGE, pressure, air	1	1
27	597151	FITTING, elbow	2	2
28	100139	PLUG, pipe	1	1
29	116654	FITTING, tube, swivel, male elbow	1	1
30	115287	FITTING, Y tube	1	1
31	---	TUBE, nylon	28.2 ft	28.2 ft
32	120952	CABLE, CAN, female / female	1	1
33	---	SLEEVE, protective, poly, black	12 ft	12 ft
37	206995	FLUID, TSL, 1 quart	1	1
38	113630	ELBOW, street, 45 degree, 1/8 npt	1	1
39*❖	24R824	KIT, tower, light, 30mm, red/green	1	1

--- Not available for individual sale.

* Not shown.

❖ Refer to the specific component manual for more details.

S100 55 Gallon/5 Gallon (200 Liter/20 Liter) Base

- ▲ Apply medium strength thread locker and torque to 30 ft-lb (40 N•m).
- 2. Apply pipe sealant to all non-swivel NPT threads.
- ▲ Apply medium strength thread locker and torque to 5.1 ft-lb (6.9 N•m).
- ▲ Apply anti-seize compound.

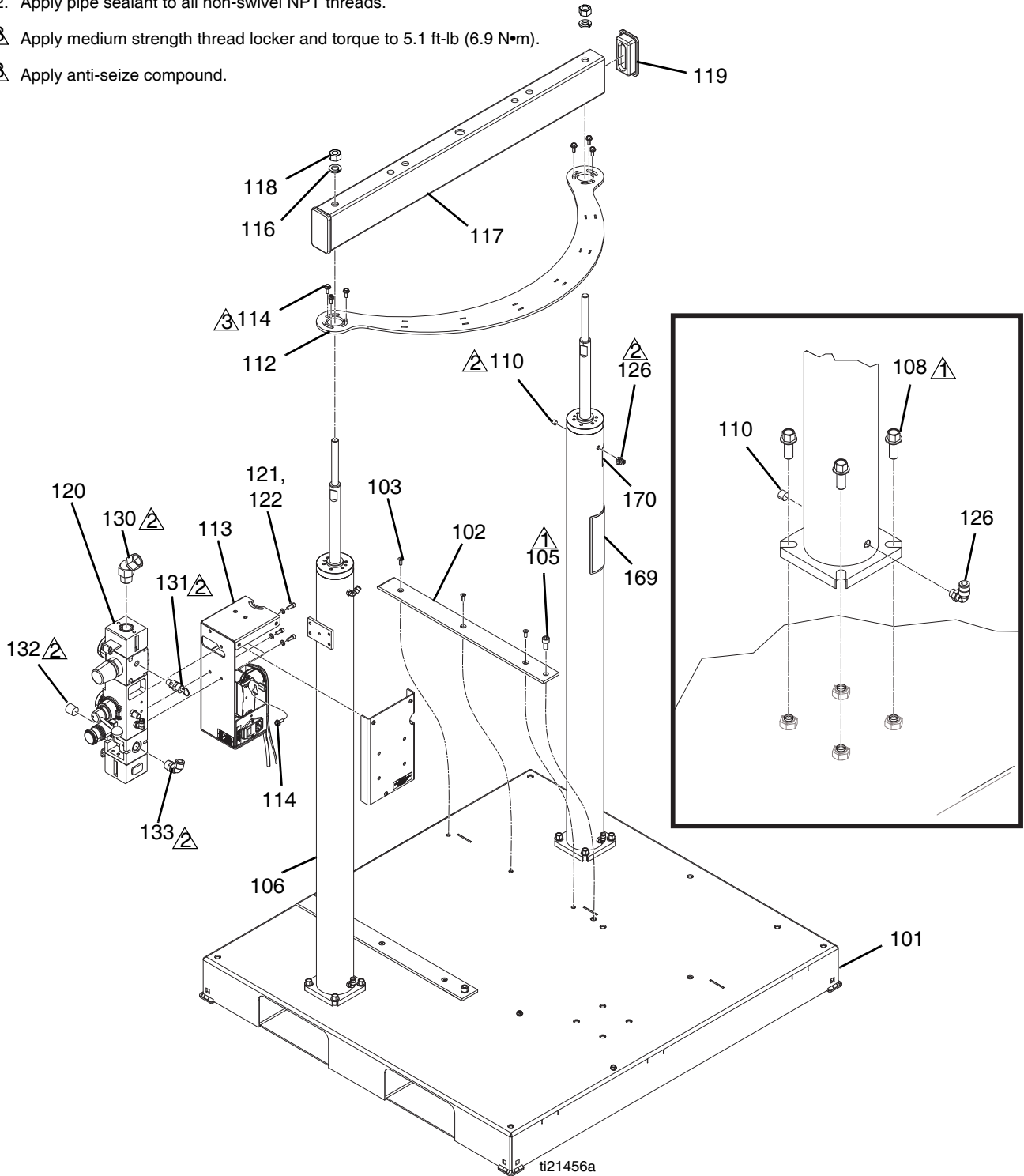


FIG. 2: S100 55/5 Gallon (200/20 Liter) Base View 1

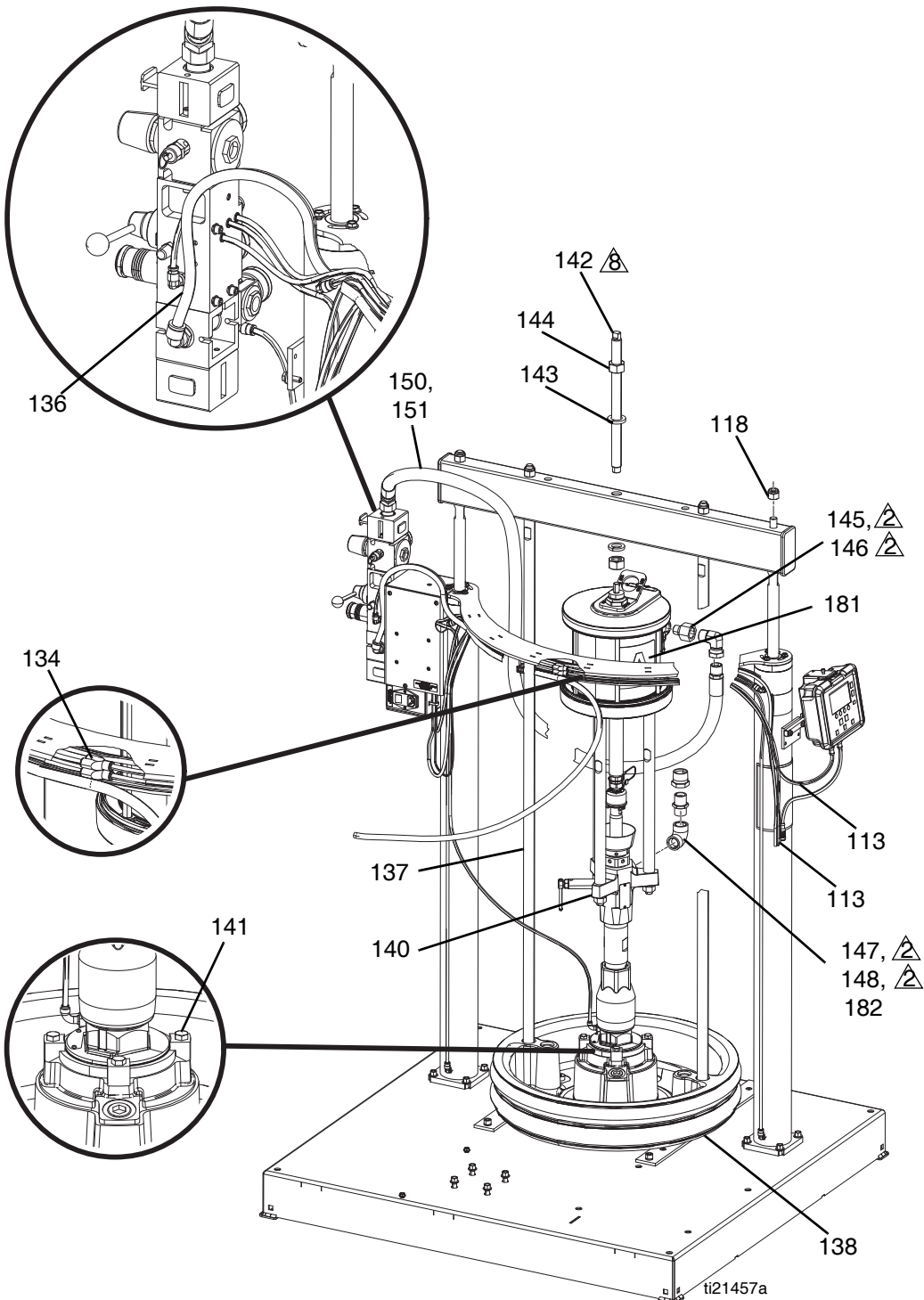


FIG. 3: S100 55/5 Gallon (200/20 Liter) Base View 2

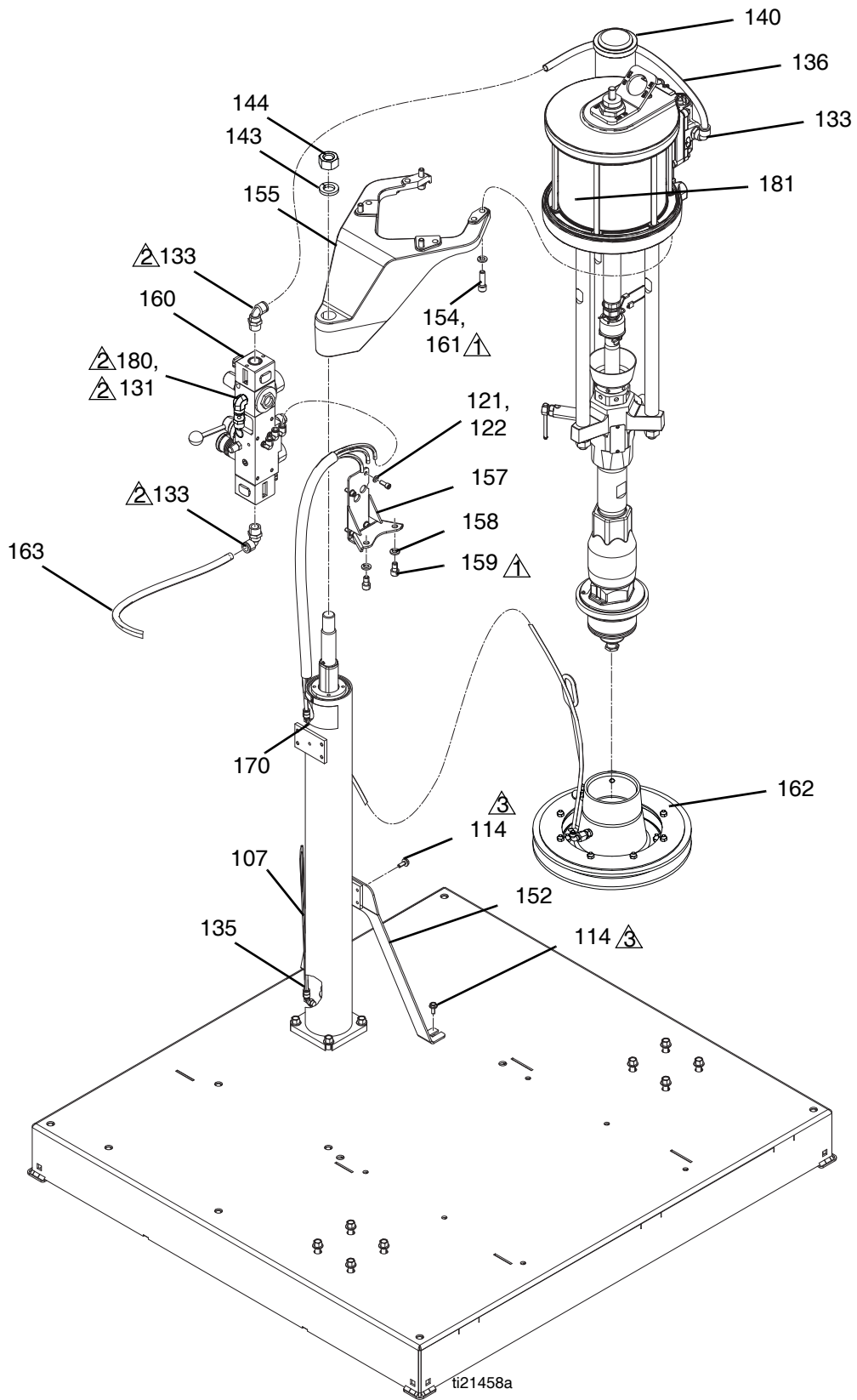


FIG. 4: S100 55/5 Gallon (200/20 Liter) Base View 3

Ref	Part	Description	Quantity
101	---	BASE, weldment, painted	1
102	16V208	GUIDE, drum	2
103	---	SCREW, machine, flathead, socket, M6-1x16mm	6
105	---	SCREW, cap, sockethead, M10-1.5x20mm	2
106	24R489	RAM, assembly, air cylinder	2
107	24R640	RAM, assembly, air cylinder, 5 gallon ram	1
108	---	SCREW, machine, hex, flange, M10-1.5x25mm	12
110	100139	PLUG, pipe	4
112	---	SUPPORT, cylinder, painted	1
113	24R489	MODULE, electrical	1
114	---	SCREW, machine, hex flange, M6-1x16mm	12
116	---	WASHER, lock, 5/8	4
117	---	BEAM, ram	1
118	---	NUT, hex, 5/8-11	4
119	---	CAP, end	2
120	---	CONTROL, air, ram	1
121	---	WASHER, lock, 1/4 in.	7
122	---	SCREW, cap, socket head, 1/4-20x5/8	7
126	597151	FITTING, elbow	4
130	105281	FITTING, union, swivel, 45	1
131	16P008	VALVE, safety, 75 psi	2
	116643	VALVE, safety, 90 psi (Ultra-Lite TriCore only)	2
132	100361	PLUG, pipe	1
133	15V204	FITTING, elbow, 1/2 npt x 1/2 tube	4
134	115287	FITTING, y tube	2
135	---	TUBE, nylon	39.8 ft
136	---	TUBE, polyurethane, black	6.5 ft
137	---	ROD, tie, platen, 3" ram, 55 gallon	2
138	255663	PLATE, wiper 55 gal, epdm	1
140	24P927	PUMP, 61:1, saniforce™, checkmate	2
141	---	KIT, mounting, lower	1
142	---	ROD, threaded	1
143	---	WASHER, spring lock. 7/8	3
144	---	NUT, full hex, 7/8-9	3
145	104969	BUSHING, reducing	1
146	160327	FITTING, union adapter, 90 deg	1
147	112040	FITTING, elbow, 90 deg.	1
148	160032	FITTING, nipple	1
149*	---	HOLDER, cable tie, rotating	1
150	C12034	HOSE, coupled 72 inch	1
151	---	SLEEVE, protective	6 ft
152	24R688	BRACKET, support	1
154	---	WASHER, lock spring, M8	4
155	---	BRACKET, motor mount, NXT® motors	1
157	---	PAINT, bracket, air valve	1

Ref	Part	Description	Quantity
158	---	WASHER, lock, 3/8	2
159	---	SCREW, cap, socket head, 3/8-16x5/8	2
160	---	CONTROL, air	1
161	---	SCREW, cap, sockethead, M8-1.25x30mm	4
162❖	257730	PLATE, 20 liter dual wiper nitrile	1
163	---	SLEEVE, protective	3.8 ft
169▲	15M511	LABEL, warning	1
170▲	15J074	LABEL, safety, crush and pinch	2
180	121150	FITTING, elbow, 1/4fnpt x 1/8mnpt	1
181	---	LABEL, a-b identification	0.500
182	---	FITTING, bushing	1


▲ Replacement Danger and Warning labels, tags and cards are available at no cost.

❖ Refer to the specific component manual for more details.

--- Not available for individual sale.

* Not shown.

S100 55 Gallon/5 Gallon (200 Liter/20 Liter) Fluid Plate

 Apply pipe sealant to all male threads as needed.

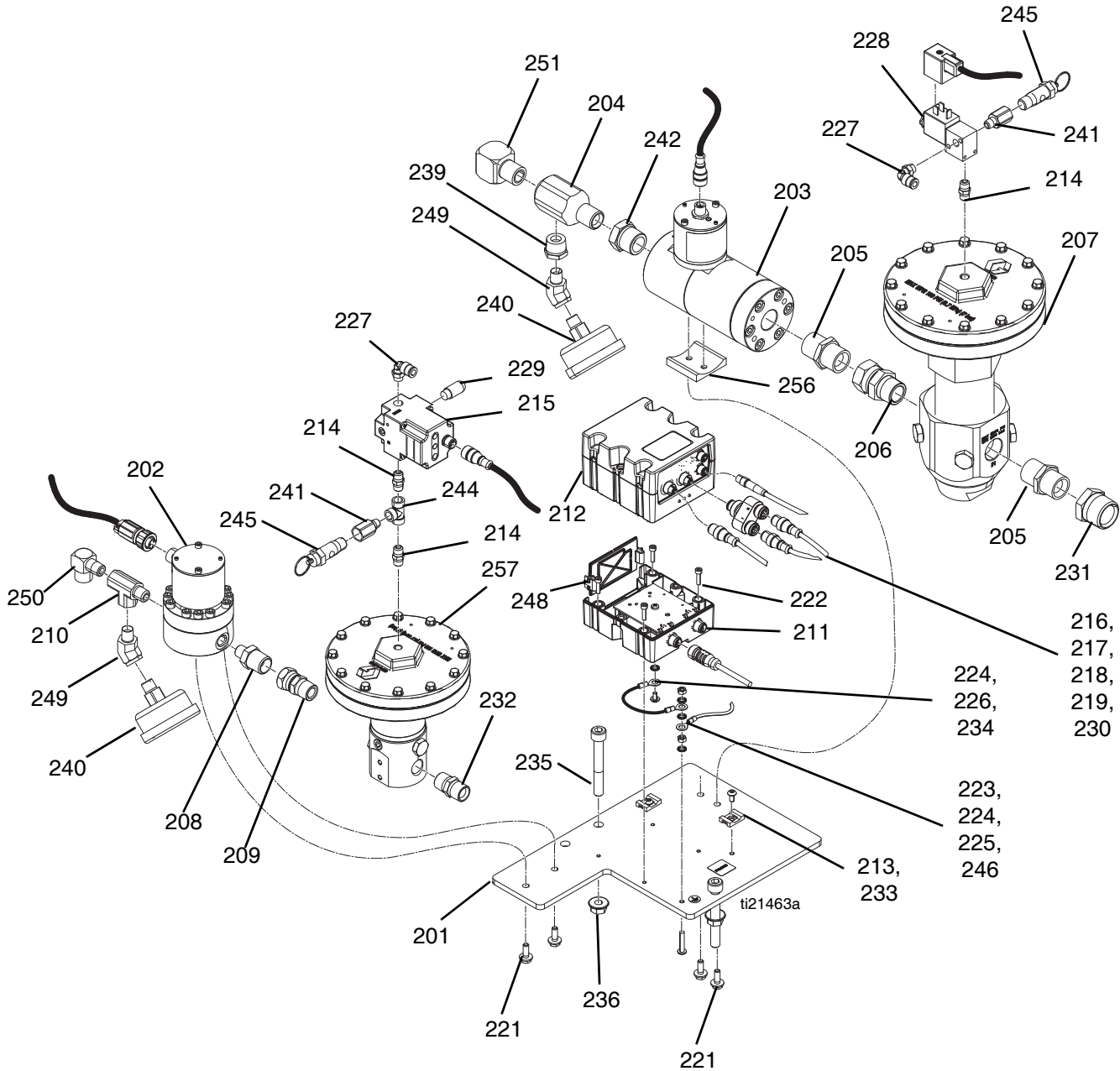


FIG. 5: S100 55/5 Gallon (200/20 Liter) Fluid Plate

Ref	Part	Description	Quantity
201	---	PLATE, mounting, meter, regulator	1
202❖	289814	METER, gear, assembly	1
203❖	246652	METER, heli gear, hi resolution	1
204	15R873	FITTING, tee	1
205	160032	FITTING, nipple	2
206	157785	FITTING, swivel	1
207❖	246642	REGULATOR, mastic	1
208	162449	FITTING, nipple, reducing	1
209	156684	FITTING, union, adapter	1
210	116504	FITTING, tee, run	1
211◆	---	MODULE, GCA, cube, base	1
212◆	---	MODULE, GCA, cube, FCM	1
213	---	HOLDER, anchor, wire tie	2
214	103656	FITTING, pipe, hex	3
215	24R938	REGULATOR, electro/pneumatic	1
216	126996	HARNESS, m8xm12	1
217	126520	CONNECTOR, splitter	1
218	122030	CABLE, GCA	1
219	17E304	HARNESS, 5px3p	1
221	---	SCREW, machine, hex flange, M6-1x10mm	4
222	---	SCREW, cap, socket head, M4-0.7x16mm	4
223	---	SCREW, button head, M5-0.8x25mm	1
224	---	WASHER, lock, external, M5	4
225	---	NUT, hex, M5-0.8	2
226	16U132	HARNESS, FCM, ground	1
227	112698	ELBOW, male, swivel	2
228	127032	VALVE, power	1
229	512909	MUFFLER, polyethylene	1
230	123395	HARNESS, power valve, tank	1
231	158586	FITTING, bushing	1
232	158491	FITTING, nipple	1
233	---	SCREW, button head, M5-0.8x10mm, sst	2
234	---	SCREW, machine, pan wash head, M4-0.7x8mm	1
235	---	SCREW, sockethead, M10-1.5x75mm, sst	2
236	---	NUT, hex, flange, serrated, M10-1.5	2
239	100206	BUSHING, pipe	1
240	113654	GAUGE, pressure, fluid, sst	2
241	159840	ADAPTER	2
242	100896	FITTING, bushing, pipe	1
244	125497	FITTING, tee, 1/8 nptf, female	1
245	116643	VALVE, safety, relief, air	2
246▲	186620	LABEL, symbol, ground	1
248	277674	ENCLOSURE, cube door	1
249	121283	FITTING, elbow, 45 degree street	2
250	118137	FITTING, elbow 90 degree	1
251	158683	FITTING, elbow, 90 degree	1
256	---	HOLDER, meter, gear, acetal	1
257❖	244734	REGULATOR, assembly, XL	1

▲ Replacement Danger and Warning labels, tags and cards are available at no cost.

❖ Refer to the specific component manual for more details.

◆ Parts available in kit 24T002.

--- Not available for individual sale.

S100 55 Gal./5 Gal. (200 L/20 L) Low Volume Hose, 24R663

⚠ Apply pipe sealant to all male threads as needed.

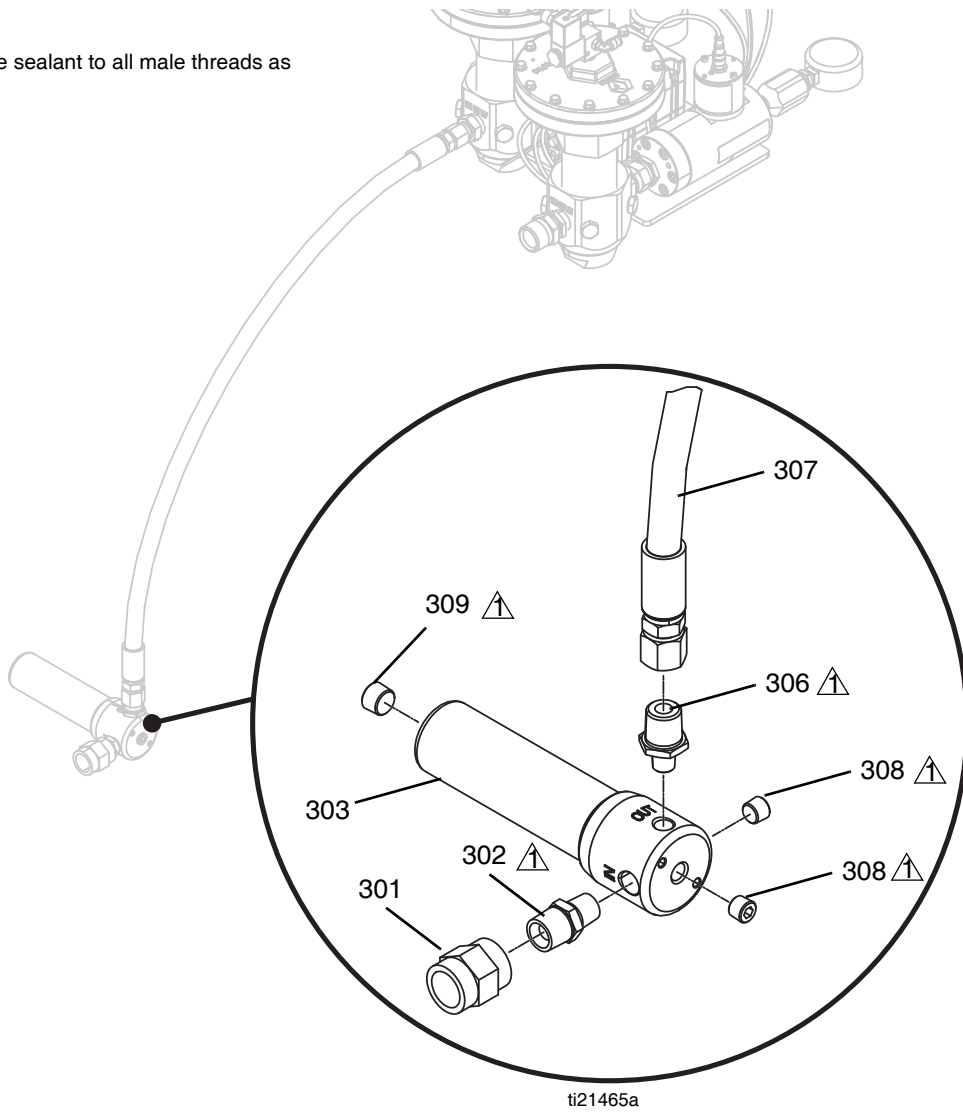


FIG. 6: S100 55/5 Gallon (200/20 Liter) Low Volume Hose

Ref	Part	Description	Quantity
301	158556	COUPLING, hex pipe	1
302	159239	FITTING, nipple, pipe, reducing	1
303	218029	FILTER, fluid	1
306	162449	FITTING, nipple, reducing	1
307	16V222	HOSE, assembly, 1/2"x180"	1
308	100721	PLUG, pipe	2
309	101754	PLUG, pipe	1

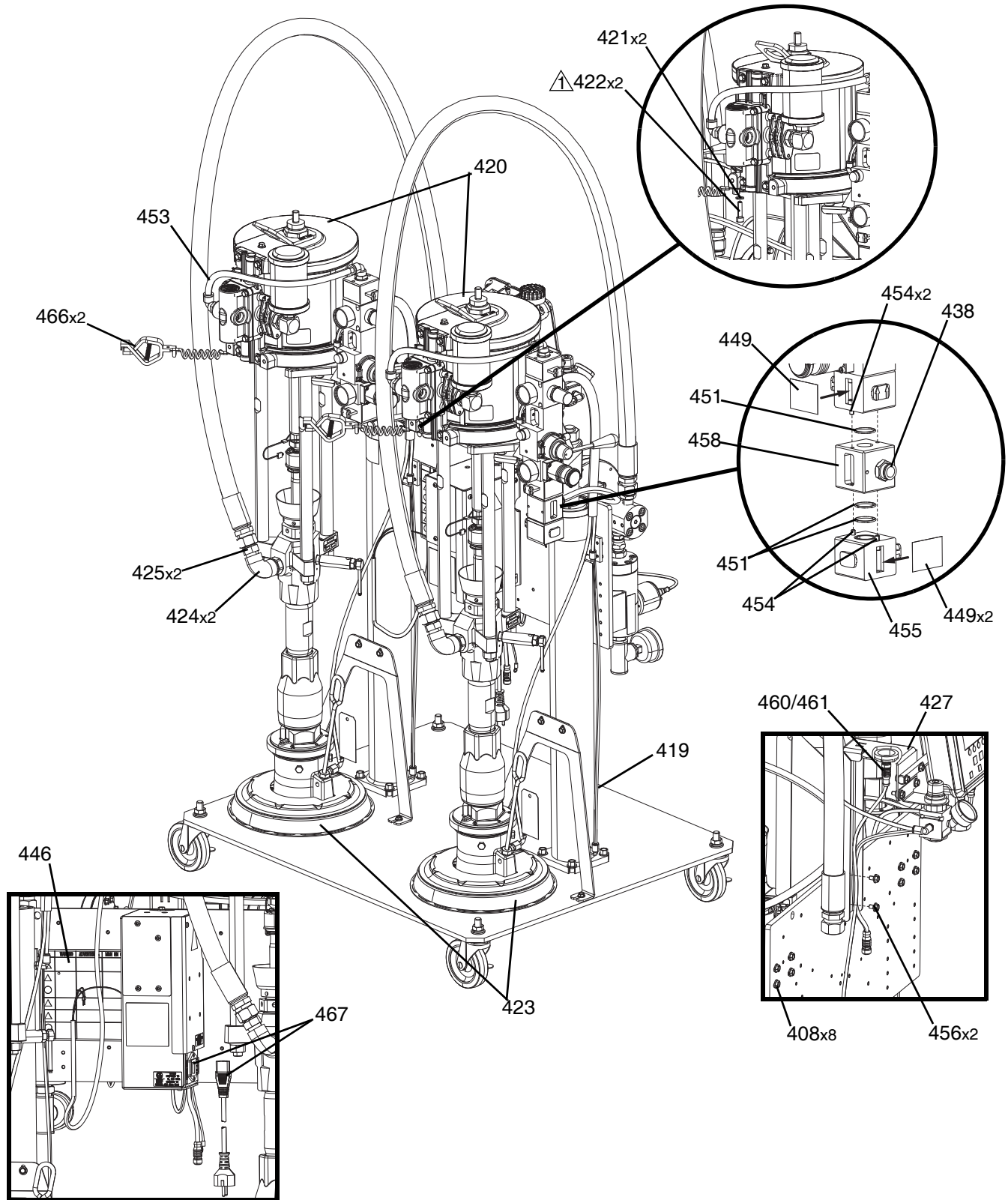


FIG. 8: S100 5/5 Gallon (20/20 Liter) View 2

Ref	Part	Description	Quantity
401	---	PLATE, base, 1:1, 5 gal, painted	1
402	24R640	RAM, assy, air cyl, 5 gal ram	2
403	---	SCREW, mach, ex, flange, m10 x 1.5 x 2	8
404	24R688	BRACKET, support, painted	2
405	---	BRACKET, motor mount, sp, nxt motors	2
406	---	WASHER, spring lock	2
407	---	NUT, full hex	2
408	---	SCREW, mach, hex flange	22
409	---	PAINT, bracket, air valve, ipd	2
410	---	WASHER, lock, 3/8	4
411	---	SCREW, cap, socket head	4
412	---	CONTROL, air	2
413	127716	CONNECTOR, y male push to connect	1
414	---	WASHER, lock	8
415	---	SCREW, cap, socket head	8
416	15V204	FITTING, elbow, 1/2 npt x 1/2 tube	6
417	121150	FITTING, elbow, 1/4 fnpt x 1/8 mnpt	2
418	16P008	VALVE, safety, 75 psi	2
419	C12509	TUBE, nylon, rnd	24 ft
420	---	PUMP, 61:1, saniforce, chkmate, cs	2
421	---	WASHER, lock spring	8
422	---	SCREW, cap, sch	8
423❖	256744	PLATE, 20 l, single wiper, ptf	2
424	112040	FITTING, elbow, 90 deg.	2
425	94/1015/99	FITTING, adpt, jic 12 x 3/4 npt, mm, ms, 5k	2
426	---	MODULE, fluid, plate, 5 x 5, high vis	1
427	---	BRACKET, display, 1:1, 5 gal, painted	1
428	---	BAR, bracket, ram, dm	1
429	---	BRACKET, mounting, assembly	1
430	---	SCREW	2
431	---	SCREW, shcs, m 5 x 0.8 x 18 mm	1
432	24T001	MODULE, gca, dm	1
433	---	BRACKET, mounting, regulator	1
434	110341	REGULATOR, air	1
435	110209	NUT, regulator	1
436	113630	ELBOW, street 45 degree 1/8 npt	1
437	108190	GAUGE, pressure, air	1
438	125411	FITTING, connector, male, 1/2 nptf	1
439	597151	FITTING, elbow	6
440	24R242	HOSE, clpd, 84 l, 3/4 id, 1-1/16 jic	2
441	24R824	LIGHT, tower, 30 mm, red/grn/alarm	1
442	---	LABEL, a-b identification	0.5
444▲	15J074	LABEL, safety, crush & pinch	2

446▲	15M511	LABEL, warning, eng/span/fre	1
449	---	LABEL, valve, shutoff, air control	4
451	102620	PACKING, o-ring	3
452	---	NUT, 1/2-13 hex	4
453	054760	TUBE, polyurethane, rnd, black	5 ft
454	---	FASTENER, shcs, 10-32 x .5	4
455	121793	VALVE, shut-off	1
456	---	SCREW, mach, hex, flange, m6 x 1 x 10 mm	2
457	16F207	CASTER, swivel, with break	4
458	17D478	BLOCK, supply, air, 1/2 in.	1
459	121000	CABLE, can, female / female 0.5 m	1
460	122030	CABLE, gca, m12-5p	1
461	127184	HARNESS, m12 (4p) x m12 (8p), fxm, .5m	1
463*	15W744	SLEEVE, protective	8 ft
466	238909	WIRE, grounding assembly	2
467	121056	CORD, power, iec, ce, 250v, 8 ft (2.4 m)	1
468	---*	TAPE, electrical	1
473*	16T924	SOFTWARE, gca, levrier	1
474	---	WASHER, lock, spring	4
475	---	WASHER, plain	4
476	206994	FLUID, tsl 8 oz bottle	1

--- Not available for individual sale.

❖ Refer to the specific component manual for more details.

▲ Replacement Danger and Warning labels, tags and cards are available at no cost.

* Not shown.

S100 5 Gallon/5 Gallon (20 Liter/20 Liter) Fluid Plate

1. Apply pipe sealant to all non-swivel NPT threads.

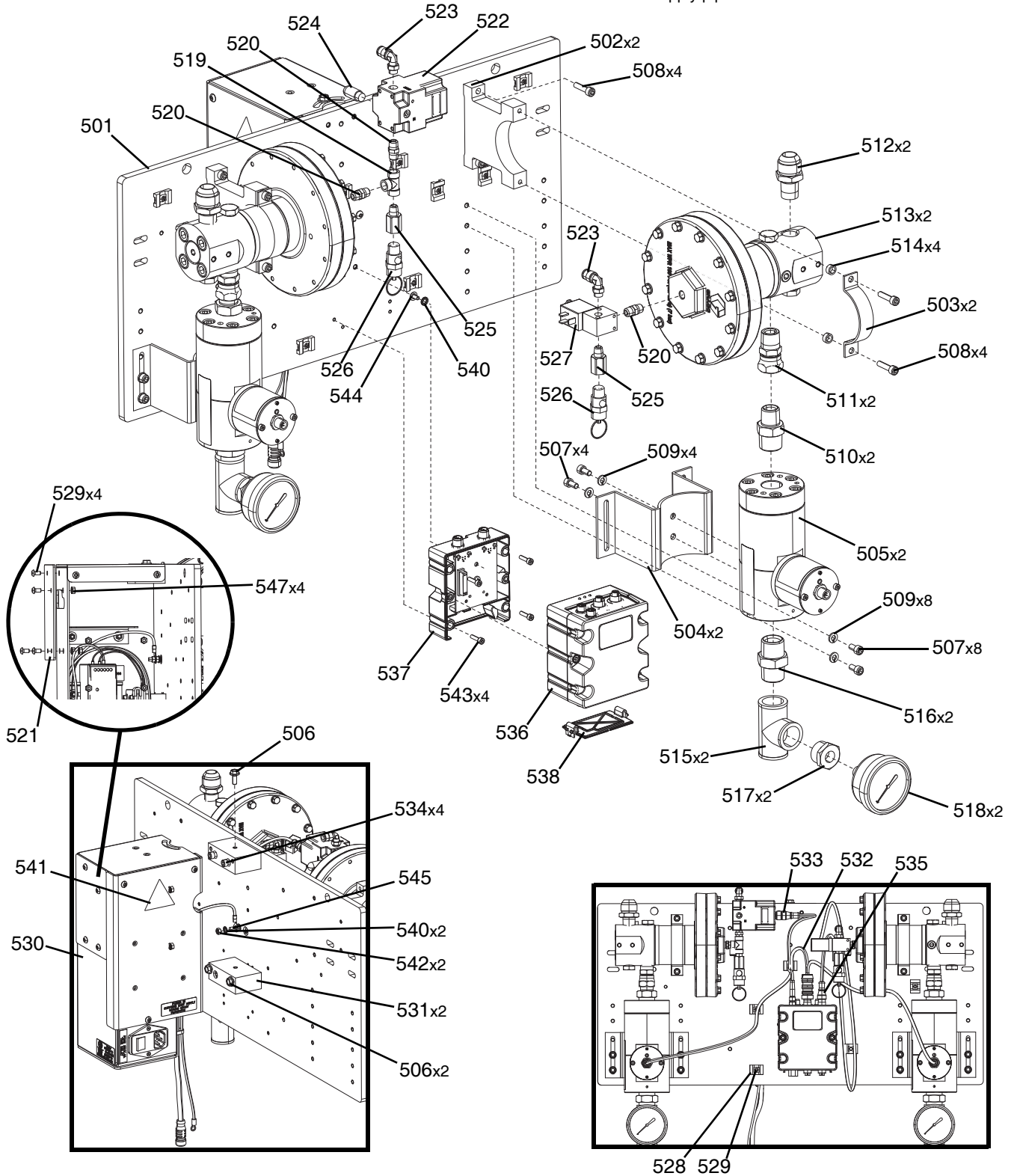


Fig. 9: S100 5/5 Gallon (20/20 Liter) Fluid Plate

Ref	Part	Description	Quantity
501	---	PLATE, mounting, control, fluid	1
502	---	BRACKET, flowmeter, lower	2
503	---	BRACKET, flowmeter	2
504	---	BRACKET, helical gear meter	2
505❖	246652	METER, heli gear, hi resolution	2
506	---	SCREW, mach, hex flange	3
507	---	SCREW, cap, sch, hex	12
508	---	SCREW, shcs m6 x 25	8
509	---	WASHER, lock, spring, m6	12
510	196142	FITTING, adapter 1/2 npt x 3/4 npt	2
511	156684	FITTING, union, adapter	2
512	94/1027/99	ADAPTER, jic 12 x 1/2 npt, mm, ms, 3k	2
513❖	244734	REGULATOR, assembly, xl	2
514	---	SPACER	4
515	801787	FITTING, tee, pipe, 3/4	2
516	C20487	FITTING, nipple, hex	2
517	C19681	BUSHING, pipe	2
518	113654	GAUGE, pressure, fluid, sst	2
519	125497	FITTING, tee, 1/8 nptf, female	1
520	103656	FITTING, pipe, hex	3
521	---	COVER, plate, blanking, elec, agp	1
522	24R938	MODULE, regulator, e/p, programmed	1
523	112698	ELBOW, male, swivel	2
524	512909	MUFFLER, polyethylene	1
525	159840	ADAPTER	2
526	116643	VALVE, safety, relief, air	2
527	127032	VALVE, power, 3/2	1
528	---	HOLDER, anchor, wire tie, nylon	8
529	---	SCREW, bhcs, m5-0.8 x 10, ss	12
530	24R498	MODULE, electrical	1
531	---	BLOCK, mounting, elec, agp	2
532	127949	HARNESS, splitter, m12	1
533	126996	HARNESS, m8(4p) x m12(5p), 0.5m, cust	1
534	---	SCREW	4
535	123395	HARNESS, pwr valve, tank	1
536◆	---	MODULE, gca, cube, fcm	1
537◆	---	MODULE, gca, cube, base	1
538	277674	ENCLOSURE, cube door	1
540	---	WASHER, lock, external	3
541▲	196548	LABEL, caution	1
542	---	NUT, hex	2
543	---	SCREW, cap, socket head	4

S100 Series Parts

544	---	SCREW, mach, pan wash hd	1
545	---	SCREW, bhcs, m5 x 25	1
547	---	NUT, hex, m5, with tooth washer	4

--- Not available for individual sale.

❖ Refer to the specific component manual for more details.

◆ Parts available in kit 24T002.

▲ Replacement Danger and Warning labels, tags and cards are available at no cost.

U100 Series Parts

U100 Base Machine

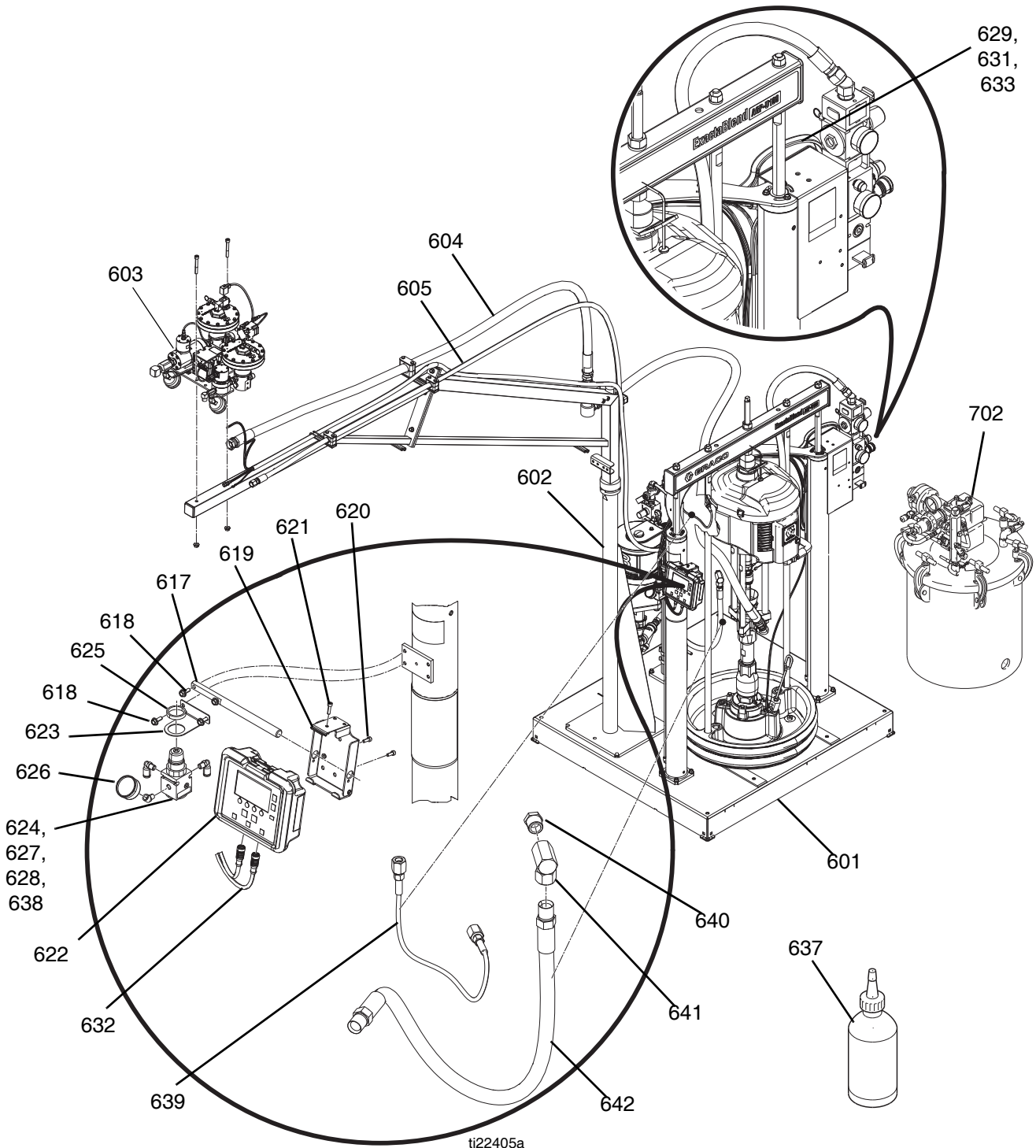


FIG. 10: U100 Base Machine

Ref	Part	Description	Quantity	
			24R813, SYSTEM, 100cc/20cc, boom, pressure pot	24R814, SYSTEM, 100cc/20cc, pressure pot
701	24R811	SYSTEM, 100cc/20cc, boom	1	
	24R812	SYSTEM, 100cc/20cc		1
702❖	236152	TANK, high pressure, 5 gallon, agitated	1	1

Ref	Part	Description	Quantity	
			24R811, SYSTEM, 100cc/20cc, boom	24R812, SYSTEM, 100cc/20cc
601	---	BASE, 55gal/5gal, U100	1	1
602	24X010	MODULE, boom	1	
603	---	MODULE, fluid plate, U100	1	1
604	24R662	HOSE, assembly, high volume	1	1
605	24S006	KIT, hose, low volume	1	1
610*	16V853	SOFTWARE, GCA	1	1
617	---	BAR, bracket, ram, DM	1	1
618	---	SCREW, machine, hex flange	4	4
619	---	BRACKET, mounting, assembly	1	1
620	---	SCREW, M5x14mm	2	2
621	---	SCREW, socket head, M5x18mm	1	1
622	24T001	MODULE, GCA, DM	1	1
623	---	BRACKET, mounting, regulator	1	1
624	110341	REGULATOR, air	1	1
625	110209	NUT, regulator	1	1
626	108190	GAUGE, pressure, air	1	1
627	597151	FITTING, elbow	2	2
628	100139	PLUG, pipe	1	1
629	116654	FITTING, tube, swivel, male elbow	1	1
630*	115287	FITTING, Y tube	1	1
631	---	TUBE, nylon	28.2 ft	28.2 ft
632	120952	CABLE, CAN, female / female	1	1
633	---	SLEEVE, protective, poly, black	12 ft	12 ft
637	206994	FLUID, TSL, 8 oz	2	2
638	113630	ELBOW, 45 degree, 1/8 NPT	1	1
639	248208	HOSE, coupled, 4 feet, pressure pot air	1	1
640	100081	BUSHING, pipe	1	1
641	157416	FITTING, swivel, union, 90 degree	1	1
642	947086	HOSE, coupled, 6 feet, pressure pot material	1	1
643*❖	24R824	KIT, tower, light, 30mm, red/green	1	1

--- Not available for individual sale.

* Not shown.

❖ Refer to the specific component manual for more details.

U100 Base

1 Apply pipe sealant to all non-swivel NPT threads.

③ Apply medium strength thread locker and torque to 30-35 ft-lb (41-47 N•m).

⑤ Apply medium strength thread locker and torque to 4.7-5.3 ft-lb (6-7 N•m).

⑭ Apply medium strength thread locker and torque to 16-21 ft-lb (22-28 N•m).

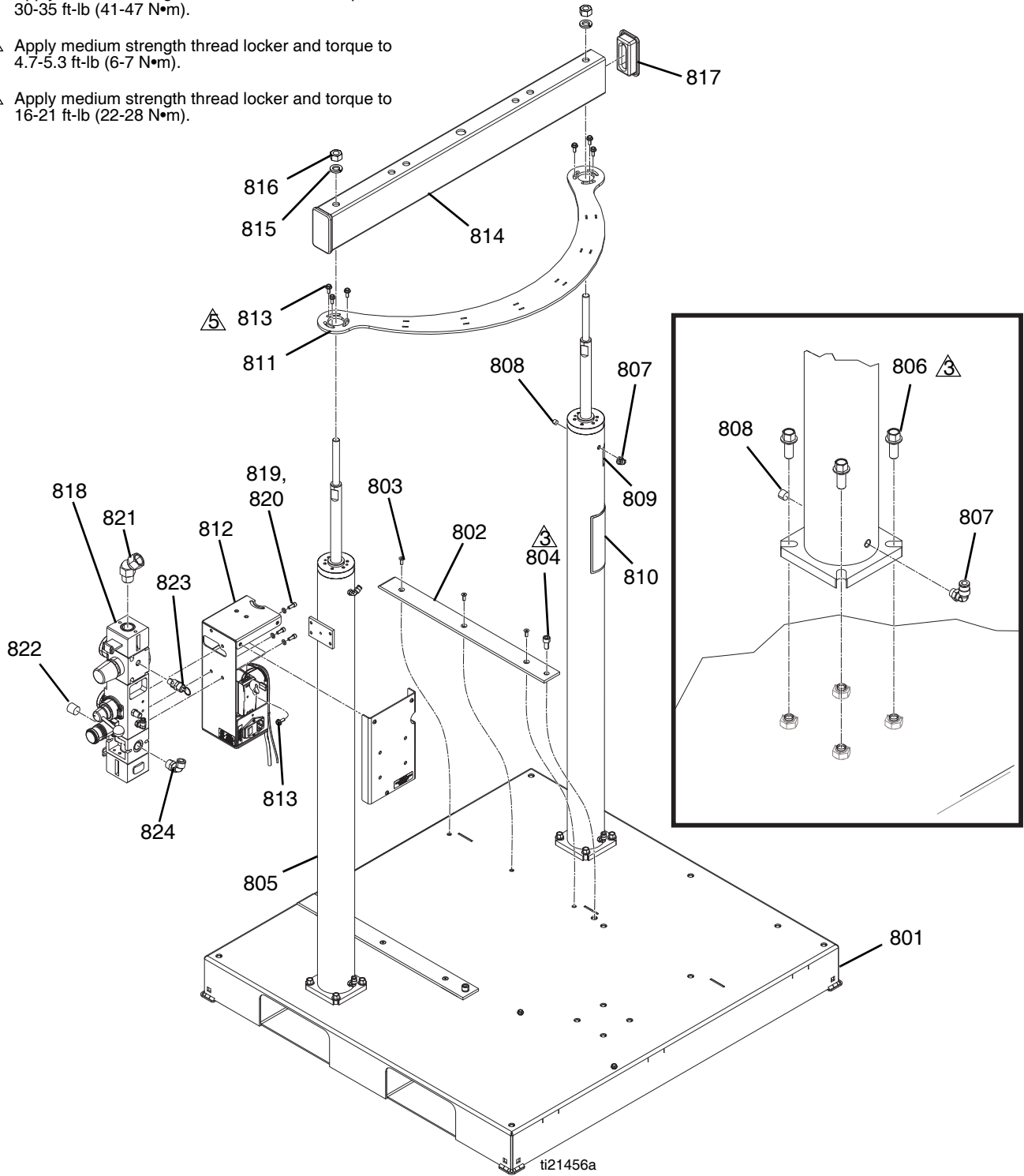


FIG. 11: U100 Base View 1

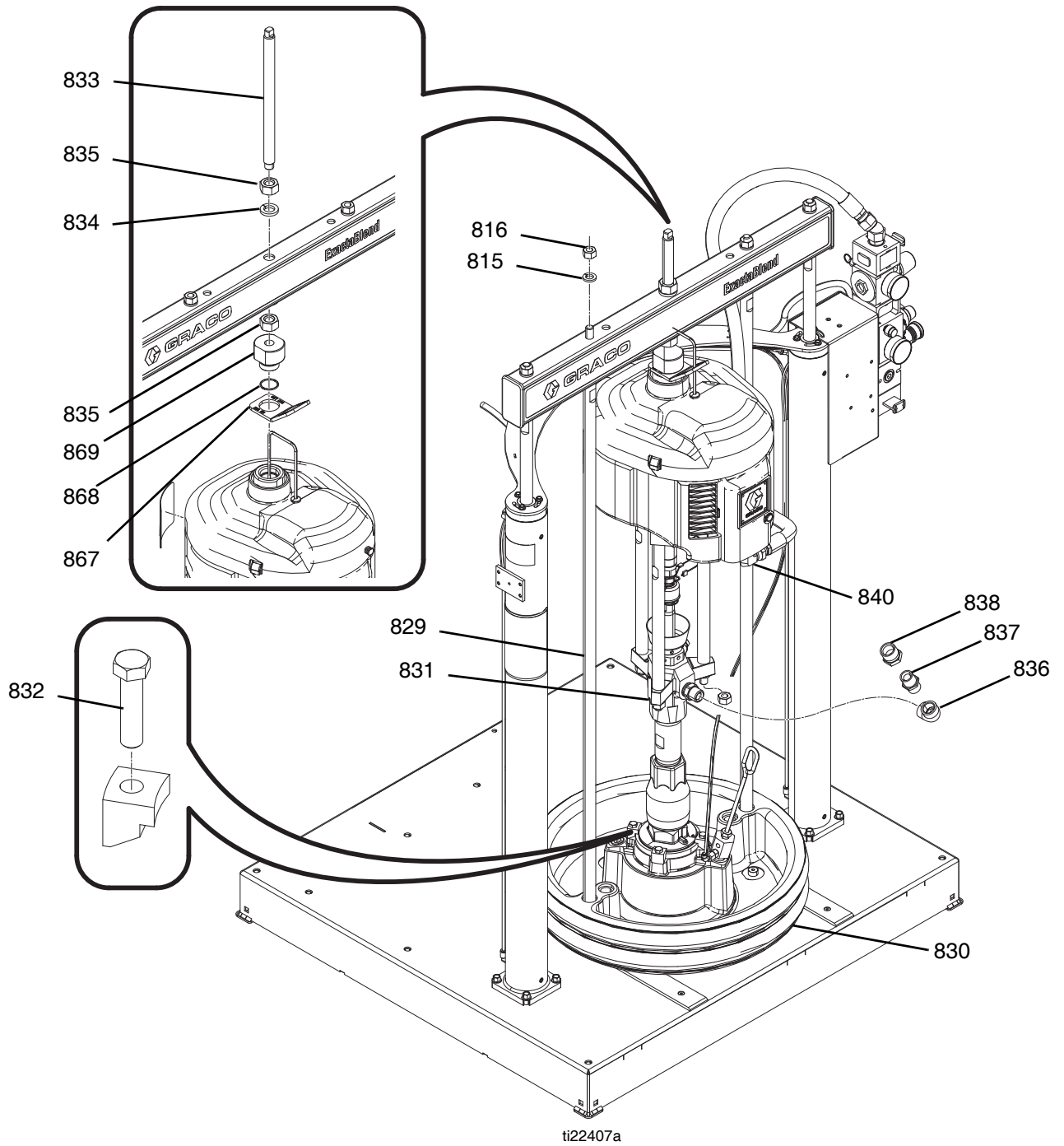


FIG. 12: U100 Base View 2

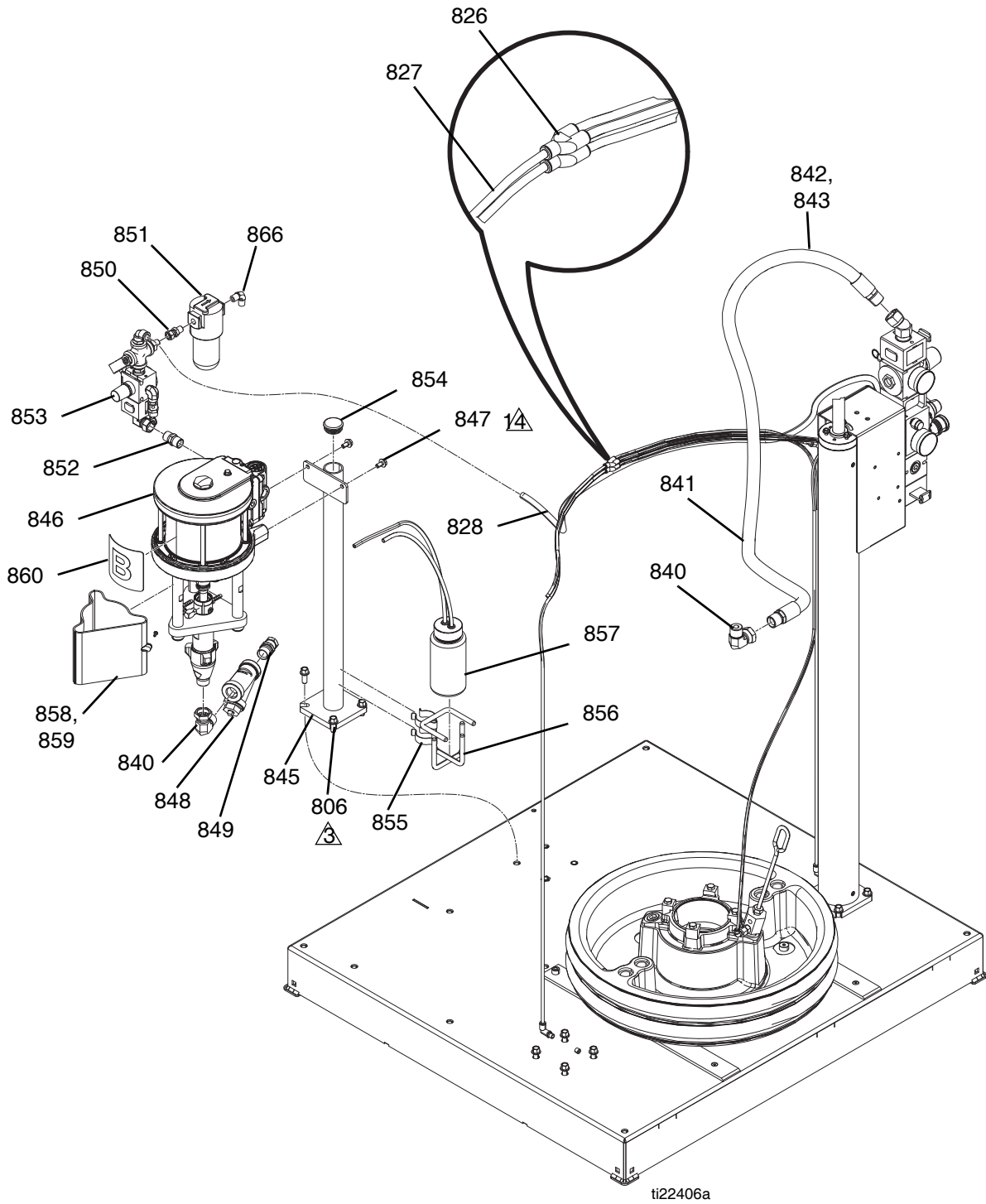


FIG. 13: U100 Base View 3

Ref	Part	Description	Quantity
801	---	BASE, weldment, painted	1
802	16V208	GUIDE, drum	2
803	---	SCREW, machine, flathead, socket, M6-1x16mm	6
804	---	SCREW, cap, sockethead, M10-1.5x20mm	2
805	---	RAM, assembly, air cylinder	2
806	---	SCREW, machine, hex, flange, M10-1.5x25mm	12
807	597151	FITTING, elbow	4
808	100139	PLUG, pipe	4
809▲	15J074	LABEL, safety, crush & pinch	1
810▲	15M511	LABEL, warning, eng/span/fre	1
811	---	SUPPORT, cylinder, painted	1
812	24T943	MODULE, electrical	1
813	---	SCREW, machine, hex flange, M6-1x16mm	8
814	---	BEAM, ram	1
815	---	WASHER, lock, 5/8	4
816	---	NUT, hex, 5/8	4
817	---	CAP, end	2
818	---	CONTROL, air, ram	1
819	---	WASHER, lock, 1/4 in.	3
820	---	SCREW, cap, socket head, 1/4-20x5/8	3
821	105281	FITTING, union, swivel, 45	1
822	100361	PLUG, pipe	1
823	16P008	VALVE, safety, 75 psi	2
	116643	VALVE, safety, 90 psi (Ultra-Lite TriCore only)	2
824	15V204	FITTING, elbow, 1/2 npt x 1/2 tube	1
826	115287	FITTING, Y tube	2
827	---	TUBE, nylon	23.5 ft
828	---	TUBE, polyurethane, black	4 ft
829	---	ROD, tie, platen, 3 inch ram, 55 gallon	2
830	255663	PLATE, wiper 55 gal, epdm	1
831❖	P63LCS	PUMP, 63:1 3400/100	1
832	255392	KIT, mounting, lower	1
833	---	ROD, threaded	1
834	---	WASHER, spring lock, 7/8	2
835	---	NUT, full hex, 7/8-9	2
836	112040	FITTING, elbow, 90 deg.	1
837	160032	FITTING, nipple	1
838	158586	FITTING, bushing	1
840	160327	FITTING, union adapter, 90 deg	2
841	---	HOLDER, cable tie, rotating	1
842	C12034	HOSE, coupled 72 inch	1
843	---	SLEEVE, protective	6 ft
845	---	SUPPORT, stand, pump, tank, painted	1
846	24T915	PUMP, 65:1, 2ball	1

847	---	SCREW, cap, hex head, M8-1.25x16mm	2
848	101078	STRAINER, Y	1
849	121282	FITTING, swivel, straight, 1/2 female x 3/4 male	1
850	156823	FITTING, union, swivel	1
851	123378	DRYER, air, 1/4 NPT, with desiccant	1
852	158491	FITTING, nipple	1
853	---	CONTROL, air	1
854	---	PLUG, tube, round	1
855	186494	CLIP, spring	2
856	15C568	HOLDER, bottle	1
857	246995	BOTTLE, assembly, complete	1
858	24A959	SHIELD, 6.0/7.5 inch	1
859	---	SCREW, machine, M4-0.7 x 10mm	1
860	---	LABEL, a-b identification	1
866	111763	FITTING, elbow, 1/4 npt	1
867	15J993	RING, lift, plate	1
868	C20987	PACKING, o-ring	1
869	15J991	ADAPTER, lift ring	1

▲ Replacement Danger and Warning labels, tags and cards are available at no cost.

❖ Refer to the specific component manual for more details.

--- Not available for individual sale.

65:1 Two-Ball Pump, 24T915

- ⚠ Torque 50-60 ft-lb (68-81 N•m).
- ⚠ Apply medium strength thread locker and torque to 124-155 ft-lb (196-210 N•m).
- ⚠ Apply pipe sealant.

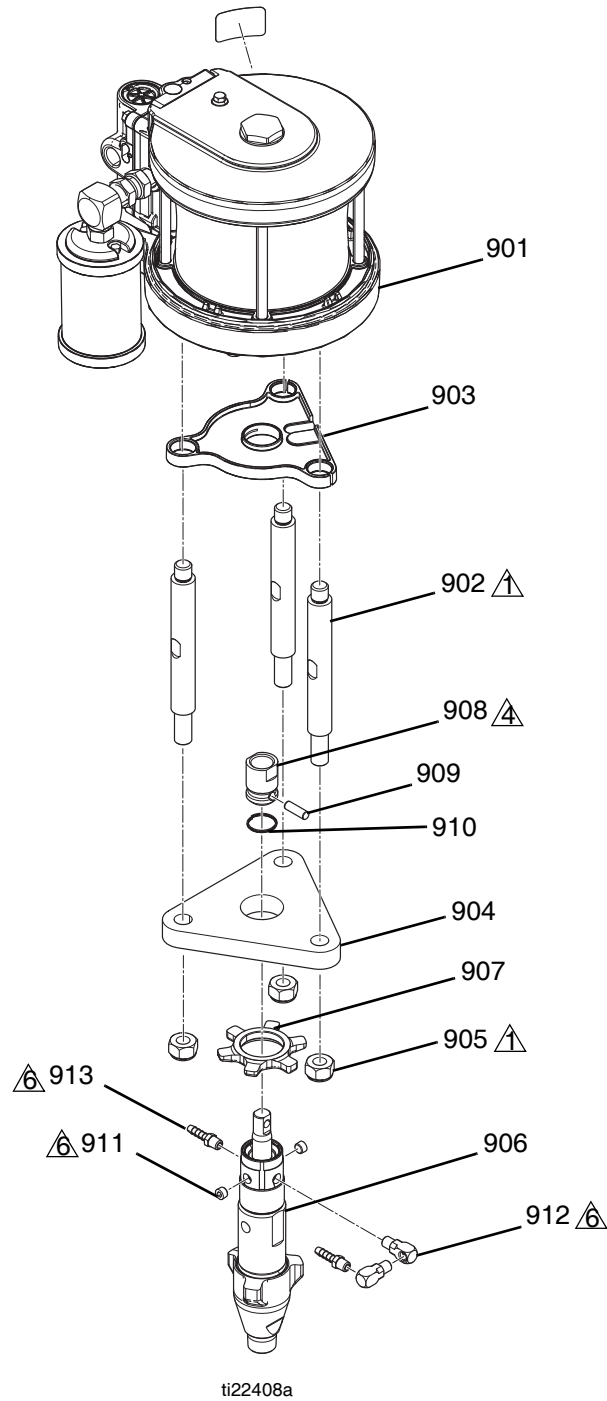


FIG. 14: 65:1 Two-Ball Pump


Ref	Part	Description	Quantity
901❖	24T884	MOTOR, air, 6.0in, 1.5in stroke	1
902	15M662	ROD, tie	3
903	15V028	SHIELD, drip	1
904	---	PLATE, adapter, pump, NXT	1
905	---	NUT, lock, M16 x 2mm	3
906❖	246830	PUMP, displacement, with lube	1
907	192723	NUT, retaining	1
908	16W629	COUPLER, pump, NXT	1
909	196762	PIN, straight	1
910	196750	SPRING, retaining	1
911	C19252	PLUG, pipe	2
912	191892	FITTING, elbow, street, 90 deg	2
913	116746	FITTING, barbed, plated	2

❖ Refer to the specific component manual for more details.

--- Not available for individual sale.

U100 Fluid Plate

1 Apply pipe sealant to all male threads as needed.

 Apply medium strength thread locker and torque to 4.7-5.3 ft-lb (6-7 N•m)

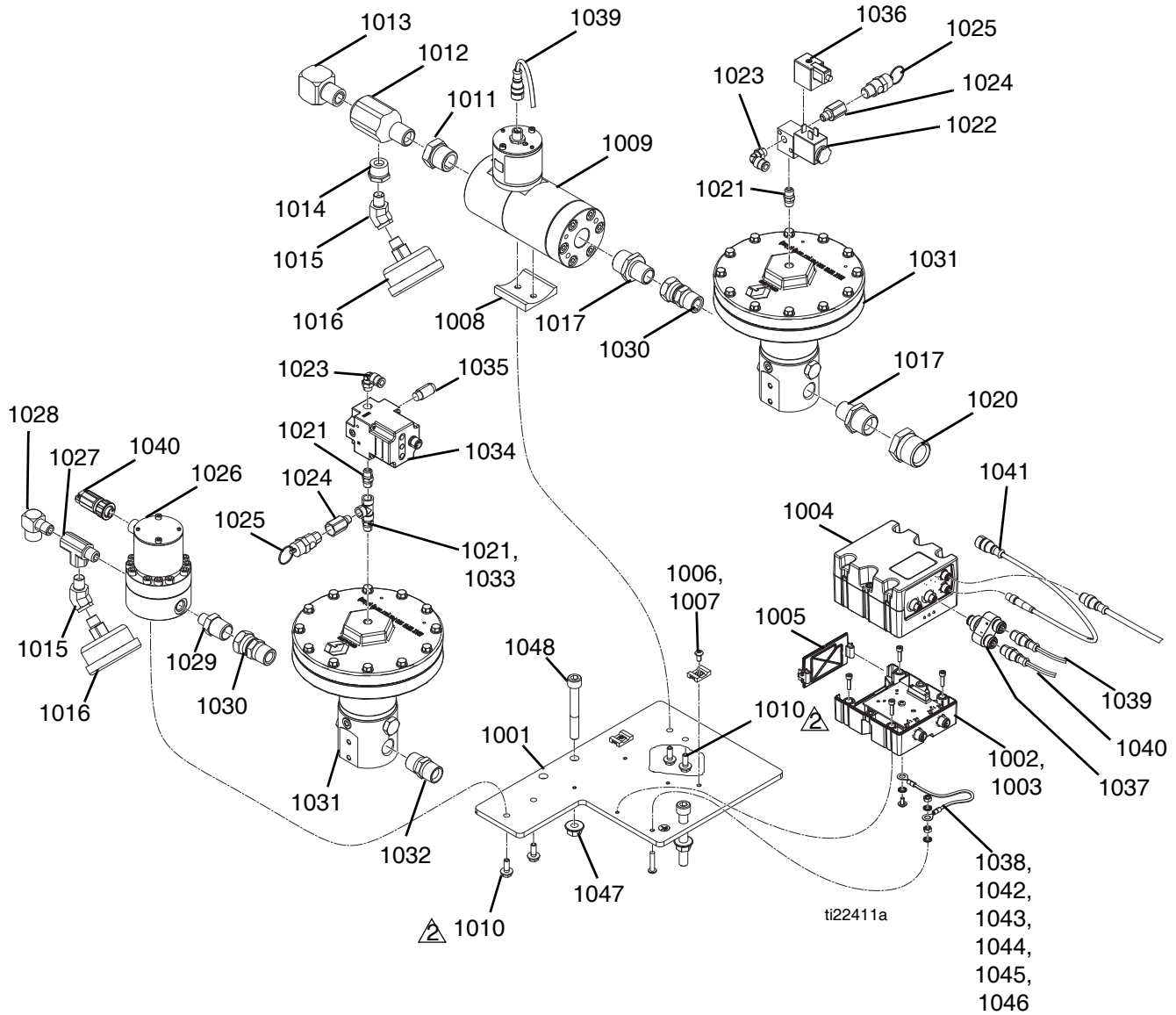


Fig. 15: U100 Fluid Plate

Ref	Part	Description	Quantity
1001	---	PLATE, mounting, meter, regulator	1
1002◆	---	MODULE, GCA, cube, base	1
1003	---	SCREW, cap, socket head, M4-0.7x16mm	4
1004◆	---	MODULE, GCA, cube, FCM	1
1005	277674	ENCLOSURE, cube door	1
1006	---	HOLDER, anchor, wire tie, nylon	2
1007	---	SCREW, button head, M5-0.8x10mm	2
1008	---	HOLDER, meter, gear, acetal	1
1009❖	246652	METER, heli gear, hi resolution	1
1010	---	SCREW, machine, hex flange, M6-1x16mm	4
1011	100896	FITTING, bushing, pipe	1
1012	15R873	FITTING, tee, 1/2	1
1013	158683	FITTING, elbow, 90 degree	1
1014	100206	BUSHING, pipe	1
1015	121283	FITTING, elbow, 45 degree	2
1016	113654	GAUGE, pressure, fluid, sst	2
1017	157191	FITTING, adapter (1/2NPT x 3/4NPT)	2
1020	158586	FITTING, bushing	1
1021	103656	FITTING, pipe, hex	3
1022	127032	VALVE, power, 3/2	1
1023	112698	ELBOW, male, swivel	2
1024	159840	ADAPTER	2
1025	116643	VALVE, safety, relief, air	2
1026❖	289814	METER, gear, assembly, g3000hr	1
1027	116504	FITTING, tee, run	1
1028	118137	FITTING, elbow 90 degree	1
1029	162449	FITTING, nipple, reducing	1
1030	156684	FITTING, union, adapter	2
1031❖	244734	REGULATOR, assembly, XL	2
1032	158491	FITTING, nipple	1
1033	125497	FITTING, tee, 1/8 NPT	1
1034	24R938	MODULE, regulator, E/P	1
1035	512909	MUFFLER, polyethylene	1
1036	123395	HARNESS, power valve, tank	1
1037	126520	CONNECTOR, splitter	1
1038	16U132	HARNESS, FCM, ground	1
1039	122030	CABLE, GCA	1
1040	17E304	HARNESS, 5px3p	1
1041	126996	HARNESS, m8xm12	1
1042	---	WASHER, lock, external, M5	4
1043	---	SCREW, machine, pan head, M4-0.1x8mm	1
1044	---	SCREW, button head, M5x25mm	1
1045	---	NUT, hex, M5	2
1046▲	186620	LABEL, symbol, ground	1
1047	---	SCREW, socket head, M10-1.5x75mm	2
1048	---	NUT, hex, flange, serrated, M10	2

▲ Replacement Danger and Warning labels, tags and cards are available at no cost.

❖ Refer to the specific component manual for more details.

◆ Parts available in kit 24T002.

--- Not available for individual sale.

U100 Low Volume Hose, 24S006

- 1 Apply pipe sealant to all male threads as needed.

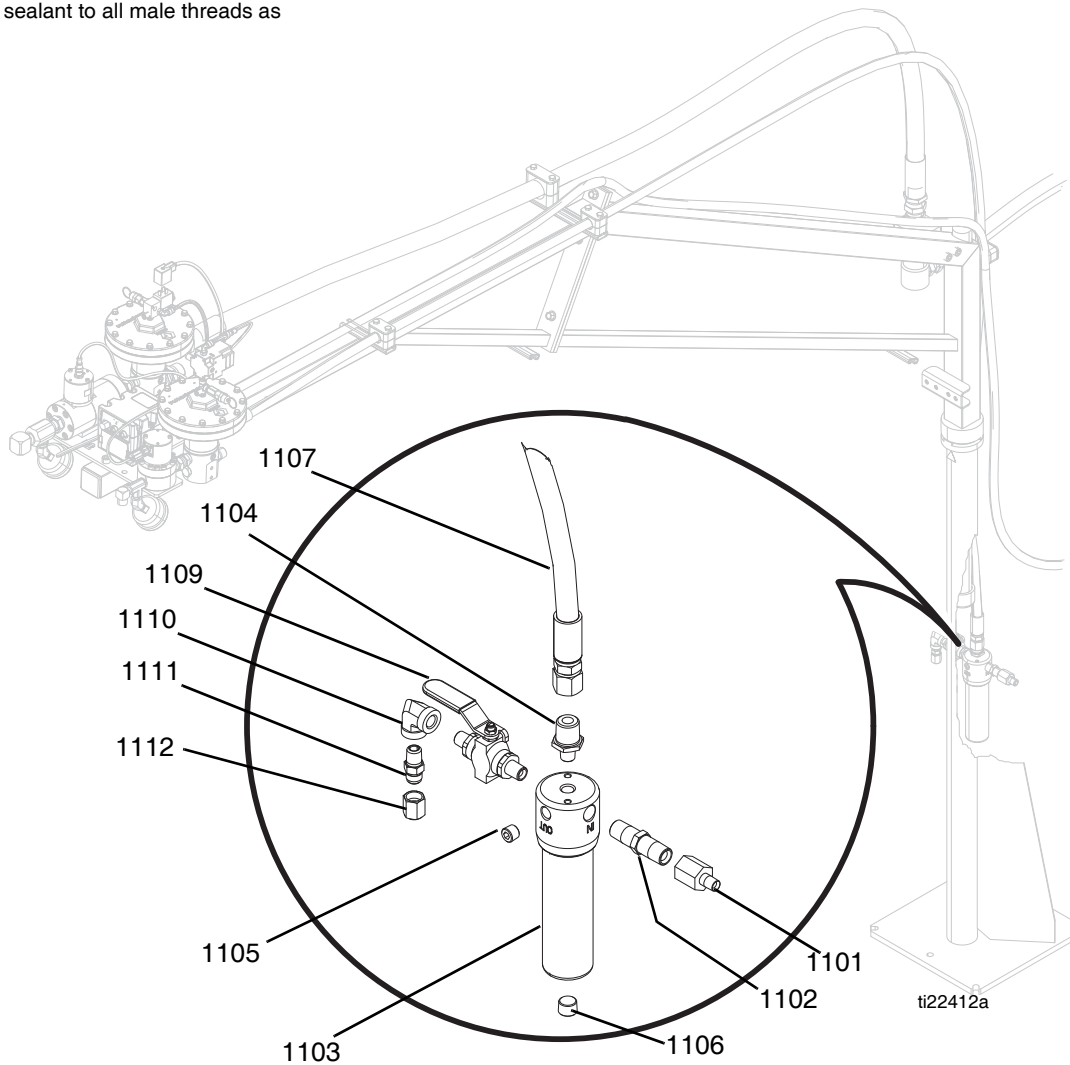


FIG. 16: U100 Low Volume Hose

Ref	Part	Description	Quantity
1101	150287	COUPLING	1
1102	156850	FITTING, nipple	1
1103	24V925	FILTER, fluid, 5K, 100 mesh, CS	1
1104	162449	FITTING, nipple, reducing	1
1105	100721	PLUG, pipe	1
1106	101754	PLUG, pipe	1
1107	16V222	HOSE, assy, 1/2"x180"	1
1109	237303	VALVE, ball	1
1110	867178	FITTING, elbow, 90 degree	1
1111	116704	ADAPTER, 9/16-18 JIC x 1/4 NPT	1
1112	127326	FITTING, cap, 06JIC	1

P100 Series Parts

P100 Base machine

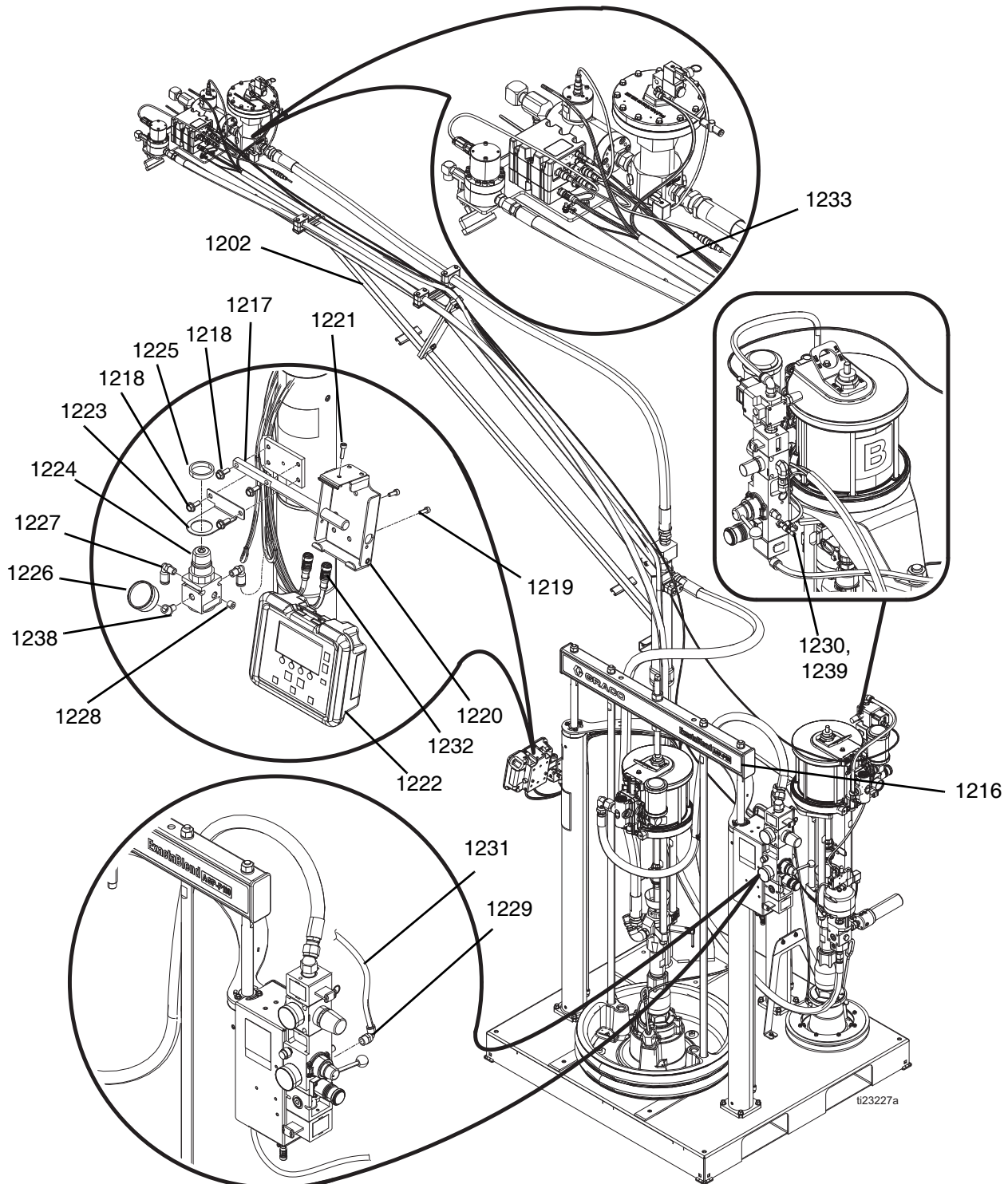


FIG. 17: P100 Base machine

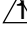

Ref	Part	Description	Quantity	
			24R815, SYSTEM, AGP, 100cc/100cc, boom	24R816, SYSTEM, AGP, 100cc/100cc
1201	---	BASE, 55 gallon/5 gallon, V/P	1	1
1202	24X010	MODULE, boom	1	
1203	---	MODULE, plate, fluid, FCM	1	1
1204	24R662	HOSE, assembly, high volume	1	1
1205	---	MODULE, valve, XM	1	1
1210*	16V853	SOFTWARE, GCA, levrier	1	1
1216	---	LABEL, model, AGP-P100	1	1
1217	---	BAR, bracket, ram, DM	1	1
1218	---	SCREW, mach, hex flange, M6x16mm	4	4
1219	---	BRACKET, mounting, assembly	1	1
1220	---	SCREW, socket head, M5x14mm	2	2
1221	---	SCREW, socket head, M5x18mm	1	1
1222	24T001	MODULE, GCA, DM	1	1
1223	---	BRACKET, mounting, regulator	1	1
1224	110341	REGULATOR, air	1	1
1225	110209	NUT, regulator	1	1
1226	108190	GAUGE, pressure, air	1	1
1227	597151	FITTING, elbow	2	2
1228	100139	PLUG, pipe	1	1
1229	116654	FITTING, tube, swivel, male elbow	1	1
1230	C20365	FITTING, tee, air	1	1
1231	---	TUBE, nylon, round	28.2 ft	28.2 ft
1232	120952	CABLE, CAN, female / female 4.0m	1	1
1233	---	SLEEVE, protective, poly, 1/2", black	12 ft	12 ft
1234	---	SEALANT, pipe, SST	1	1
1237	206994	FLUID, TSL, 8 oz bottle	1	1
1238	113630	ELBOW, street, 45 degree, 1/8 NPT	1	1
1239	---	FITTING, plug, tube, push, 1/4	1	1
1240*❖	24R824	KIT, tower, light, 30mm, red/green	1	1

--- Not available for individual sale.

* Not shown.

❖ Refer to the specific component manual for more details.

P100 Base

- 1  Apply medium strength thread locker and torque to 30-35 ft-lb (41-47 N•m).
- 2 Apply pipe sealant to all non-swivel NPT threads.
- 3  Apply medium strength thread locker and torque to 4.7-5.3 ft-lb (6-7 N•m).

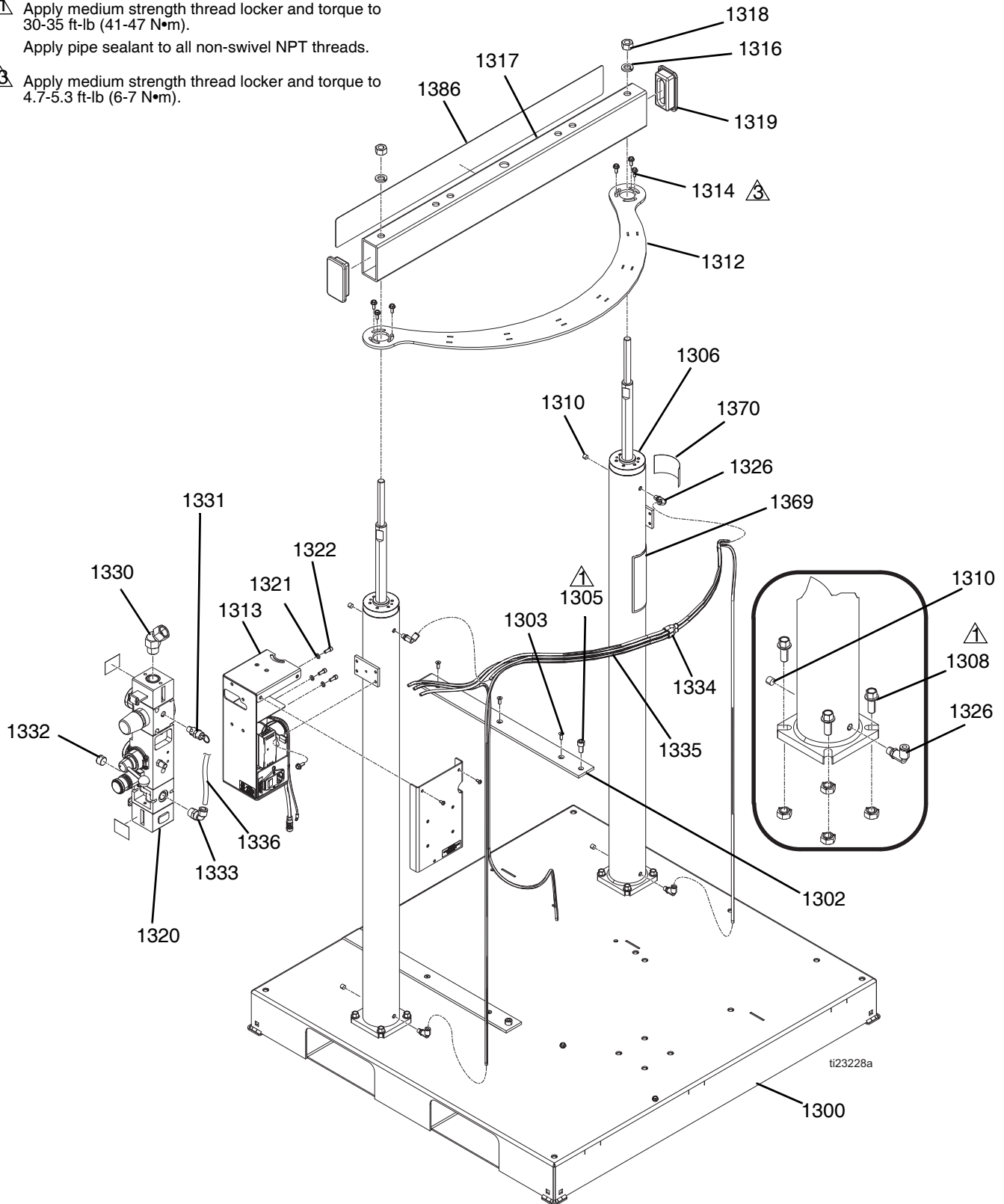


FIG. 18: P100 Base View 1

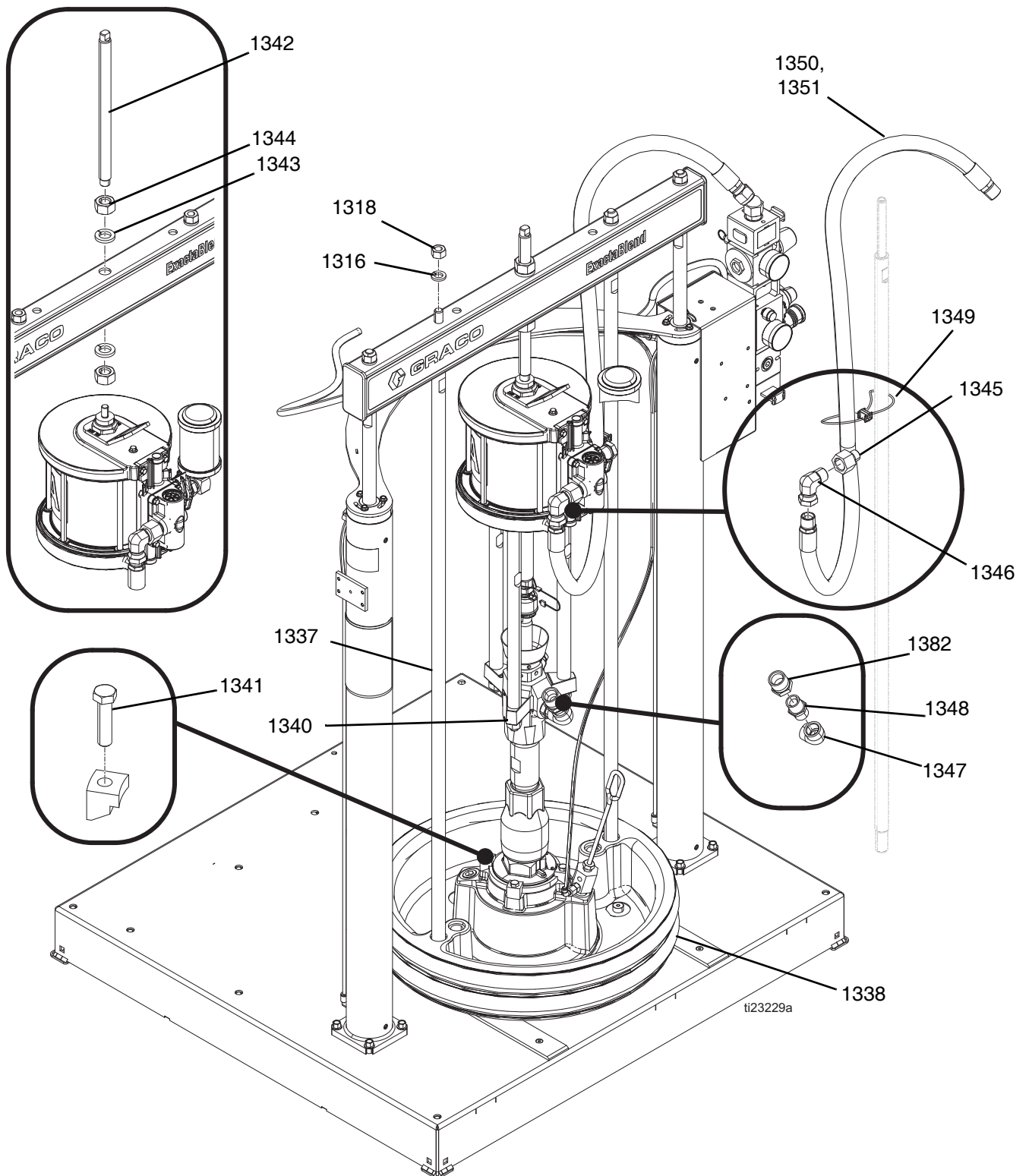


FIG. 19: P100 Base View 2

Ref	Part	Description	Quantity
1301	---	BASE, weldment, painted	1
1302	16V208	GUIDE, drum, UMHW	2
1303	---	SCREW, machine, flathead, socket, M6x16	6
1305	---	SCREW, cap, sockethead, M10x20	2
1306	24R489	RAM, assembly, air cylinder	2
1307	24R640	RAM, assembly, air cylinder, 5 gallon ram	1
1308	---	SCREW, machine, hex, flange, M10x1.5x2mm	12
1309	24U821	MODULE, regulator, E/P, programmed	1
1310	100139	PLUG, pipe	4
1312	---	SUPPORT, cylinder, painted	1
1313	24R498	MODULE, electrical	1
1314	---	SCREW, machine, hex flange, M6x16mm	12
1316	---	WASHER, lock, 5/8	4
1317	---	BEAM, ram	1
1318	---	NUT, hex, 5/8-11	4
1319	---	CAP, end	2
1320	---	CONTROL, air, ram	1
1321	---	WASHER, lock, 1/4	7
1322	---	SCREW, cap, socket head, 1/4-20x5/8	7
1326	597151	FITTING, elbow	4
1330	105281	FITTING, union, swivel, 45	1
1331	16P008	VALVE, safety, 75 psi	2
	116643	VALVE, safety, 90 psi (Ultra-Lite TriCore only)	2
1332	100361	PLUG, pipe	1
1333	15V204	FITTING, elbow, 1/2 NPT x 1/2 tube	4
1334	115287	FITTING, Y tube	2
1335	---	TUBE, nylon, round	39.7 ft
1336	---	TUBE, polyurethane, round, black	6.5 ft
1337	---	ROD, tie, platen, 3" ram, 55 gallon	2
1338	255663	PLATE, wiper 55 gal, epdm	1
1340❖	24P927	PUMP, 61:1, saniforce, checkmate	2
1341	---	KIT, mounting, lower	1
1342	---	ROD, threaded	1
1343	---	WASHER, spring lock, 7/8	3
1344	---	NUT, full hex, 7/8	3
1345	104969	BUSHING, reducing	1
1346	160327	FITTING, union adapter, 90 degree	1
1347	112040	FITTING, elbow, 90 degree	1
1348	160032	FITTING, nipple	1
1349	---	HOLDER, cable tie, rotating	1
1350	C12034	HOSE, coupled 72"	1
1351	---	SLEEVE, protective	6 ft
1352	---	BRACKET, support, painted	1
1354	---	WASHER, lock spring, M8	4

Ref	Part	Description	Quantity
1355	---	BRACKET, motor mount, NXT motors	1
1357	---	PAINT, bracket, air valve	1
1358	---	WASHER, lock, 3/8	2
1359	---	SCREW, cap, socket head, 3/8-16x5/8	2
1360	---	CONTROL, air	1
1361	---	SCREW, cap, socket head, M8x30mm	4
1362❖	257730	PLATE, 20 liter, dual wiper, nitrile	1
1363	---	SLEEVE, protective	3.75 ft
1369▲	15M511	LABEL, warning, eng/span/fre	1
1370▲	15J074	LABEL, safety, crush & pinch	2
1380	121150	FITTING, elbow, 1/4 FNPT x 1/8 MNPT	1
1382	---	FITTING, bushing	1
1387	121212	FITTING, elbow, swivel, 1/2T 3/8 MNPT	1
1388	---	MUFFLER, 1/2 NPT	1
1389	---	FITTING, nipple, pipe, reducing	1


▲ Replacement Danger and Warning labels, tags and cards are available at no cost.

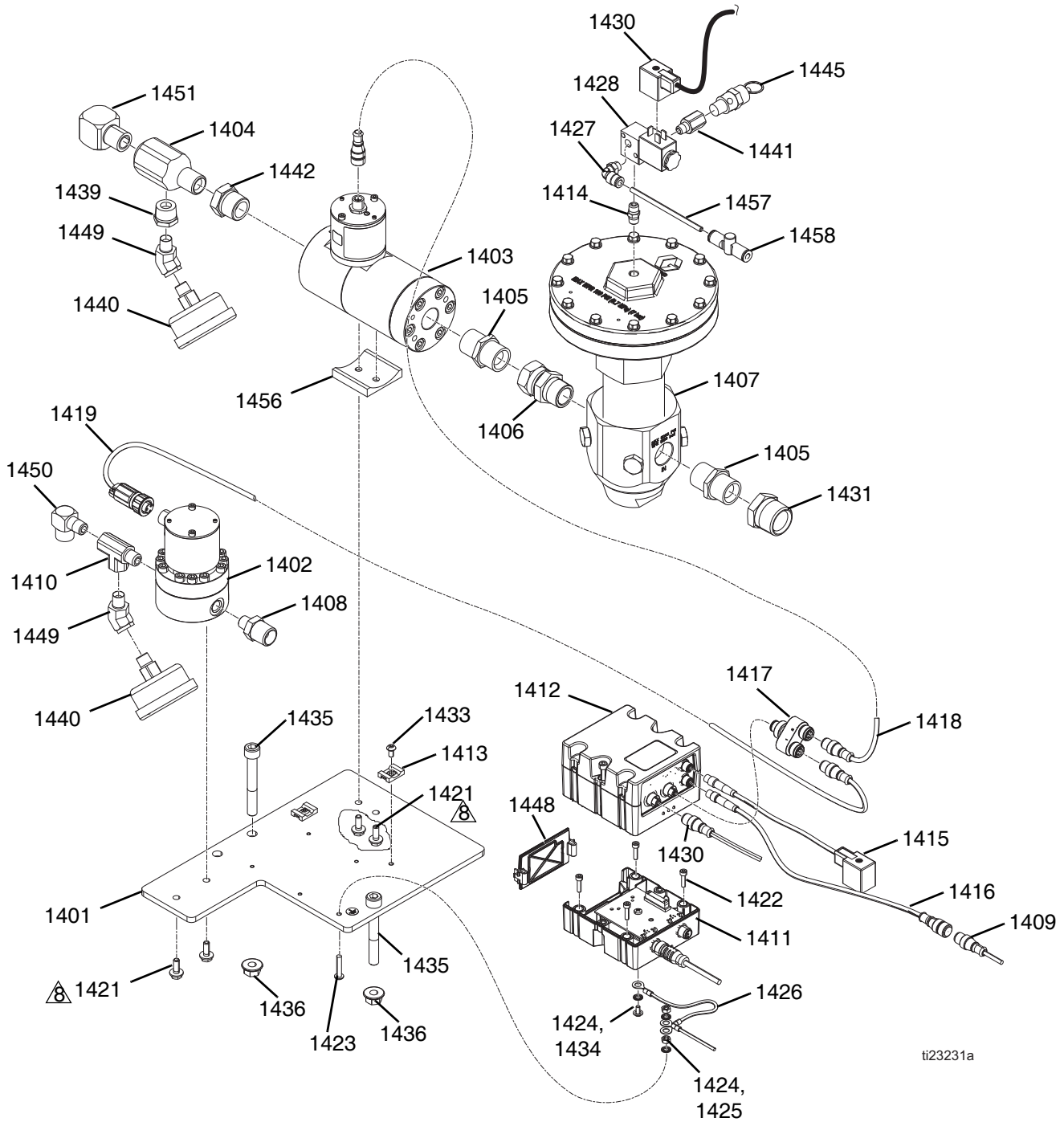
❖ Refer to the specific component manual for more details.

--- Not available for individual sale.

P100 Fluid Plate

1 Apply pipe sealant to all male threads as needed.

 Apply medium strength thread locker to threads.



ti23231a

Fig. 21: P100 Fluid Plate

Ref	Part	Description	Quantity
1401	---	PLATE, mounting, meter, reg, paint	1
1402❖	289814	METER, gear, assembly, G3000HR	1
1403❖	246652	METER, heli gear, hi resolution	1
1404	15R873	FITTING, tee, 1/2	1
1405	160032	FITTING, nipple	2
1406	157785	FITTING, swivel	1
1407❖	246642	REGULATOR, mastic	1
1408	162449	FITTING, nipple, reducing	1
1409	---	CABLE, 5pin, male/female, 4.0 m	1
1410	116504	FITTING, tee, run	1
1411◆	---	MODULE, GCA, cube, base	1
1412◆	---	MODULE, GCA, cube, FCM	1
1413	---	HOLDER, anchor, wire tie, nylon	2
1414	103656	FITTING, pipe, hex	1
1415	127399	HARNESS, m8xdin, 4px3p, 4.5m	1
1416	126996	HARNESS, m8(4p)xm12(5p), 0.5m	1
1417	126520	CONNECTOR, splitter, m12, 5p	1
1418	122030	CABLE, GCA, m12-5p	1
1419	17E304	HARNESS, m12xcir, 5px3p, .5m	1
1421	---	SCREW, machine, hex flange, M6x16mm	4
1422	---	SCREW, cap, socket head, M6x16mm	4
1423	---	SCREW, M5x25	1
1424	---	WASHER, lock, external, M5	4
1425	---	NUT, hex, M5	2
1426	16U132	HARNESS, fcm, grd	1
1427	112698	ELBOW, male, swivel	1
1428	127032	VALVE, power, 3/2	1
1430	123395	HARNESS, power valve, tank	1
1431	158586	FITTING, bushing	1
1432	196142	FITTING, adapter 1/2 NPT x 3/4 NPT	1
1433	---	SCREW, M5x10mm	2
1434	---	SCREW, machine, pan, M4x8mm	1
1435	---	SCREW, M10x75mm	2
1436	---	NUT, hex, flange, serrated, M10	2
1439	100206	BUSHING, pipe	1
1440	113654	GAUGE, pressure, fluid	2
1441	159840	ADAPTER	1
1442	100896	FITTING, bushing, pipe	1
1445	16P008	VALVE, safety, 75 psi	1
1446▲	186620	LABEL, symbol, ground	1
1448	277674	ENCLOSURE, cube door	1
1449	121283	FITTING, elbow, 45 degree street	1
1450	118137	FITTING, elbow 90 degrees	1
1451	158683	FITTING, elbow, 90 degree	1
1456	---	HOLDER, meter, gear, acetal	1
1457	---	TUBE, nylon, round	0.33
1458	---	VALVE, 1/4" tube	1

▲ Replacement Danger and Warning labels, tags and cards are available at no cost.

❖ Refer to specific component manual for more details.

--- Not available for individual sale.

◆ Parts available in kit 24T002.

P100 XM Valve, 24U695

- 1 Apply pipe sealant to all male threads as needed.

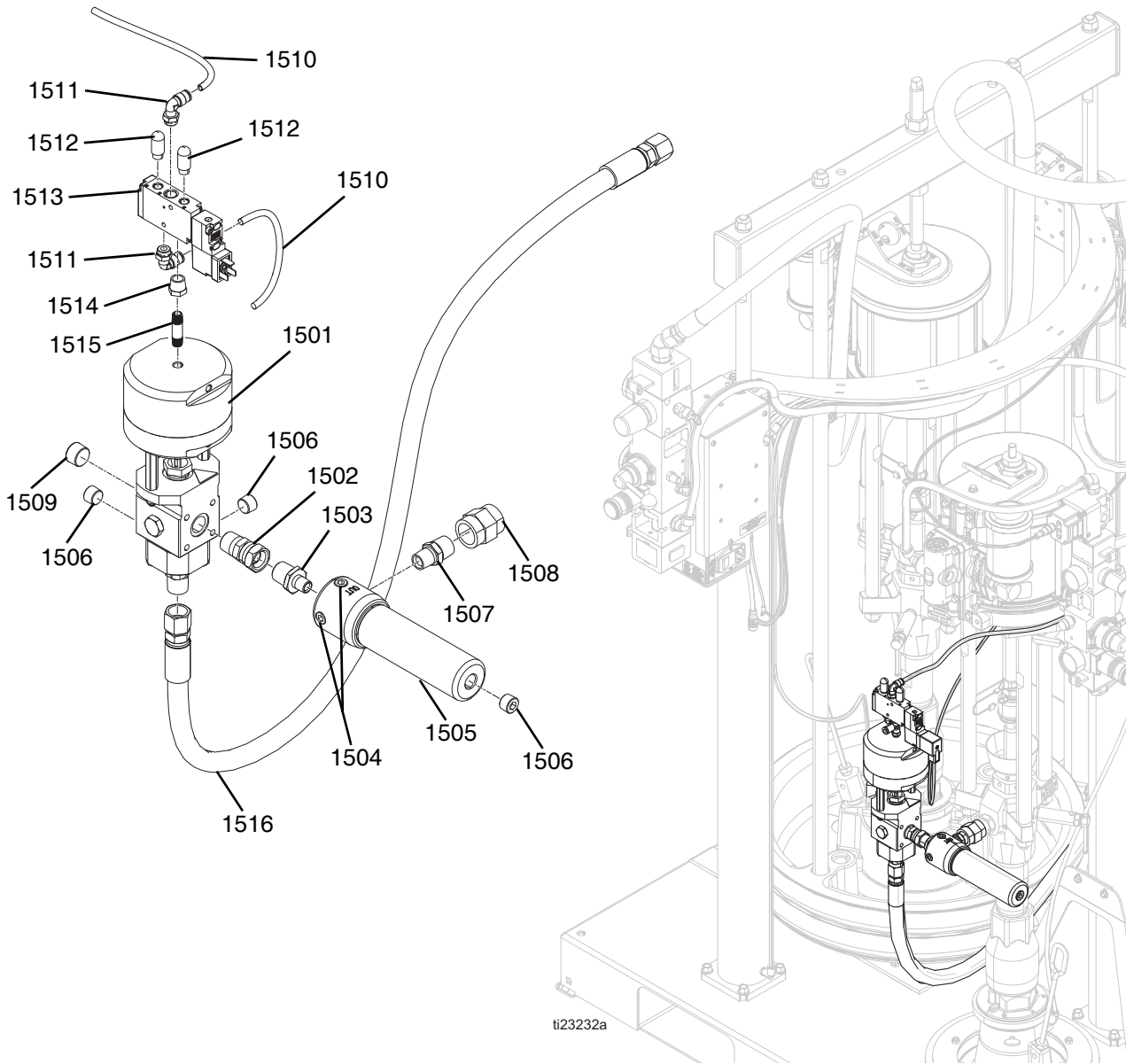


FIG. 22: P100 Low Volume Hose

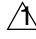

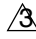

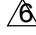
Ref	Part	Description	Quantity
1501❖	24P887	VALVE, assembly, ratio control	1
1502	156684	FITTING, union, adapter	1
1503	162449	FITTING, nipple, reducing	1
1504	100721	PLUG, pipe	2
1505	24T914	FILTER, assembly, 30 mesh	1
1506	101754	PLUG, pipe	3
1507	159239	FITTING, nipple, pipe	1
1508	158556	COUPLING, hex pipe	1
1509	100361	PLUG, pipe	1
1510	---	TUBE, nylon, round	4.5 ft
1511	---	FITTING, elbow, male, 1/4 NPT	2
1512	512909	MUFFLER, polyethylene	2
1513	127356	VALVE, power, 5/2, 24VDC	1
1514	---	BUSHING, 1/4NPTx1/8NPT	1
1515	---	FITTING, nipple, 1/8NPTx1.50	1
1516	16V222	HOSE, assembly, 1/2x180, 5k	1

❖ Refer to *Dosing Valve Instructions-Parts manual 313342* for more details.

--- Not available for individual sale.

Universal Parts

55 gallon Air Cylinder, 24R489

-  Apply grease to o-rings and threads of 2 prior to assembly.
-  Install 2 in fully retracted position. Apply grease to diameter of shaft inside 1 prior to assembly.
-  Add lubricant to cylinder bore before insertion of 2.
-  Torque to 30 ft-lb (41 N•m).
-  Apply grease to o-rings.

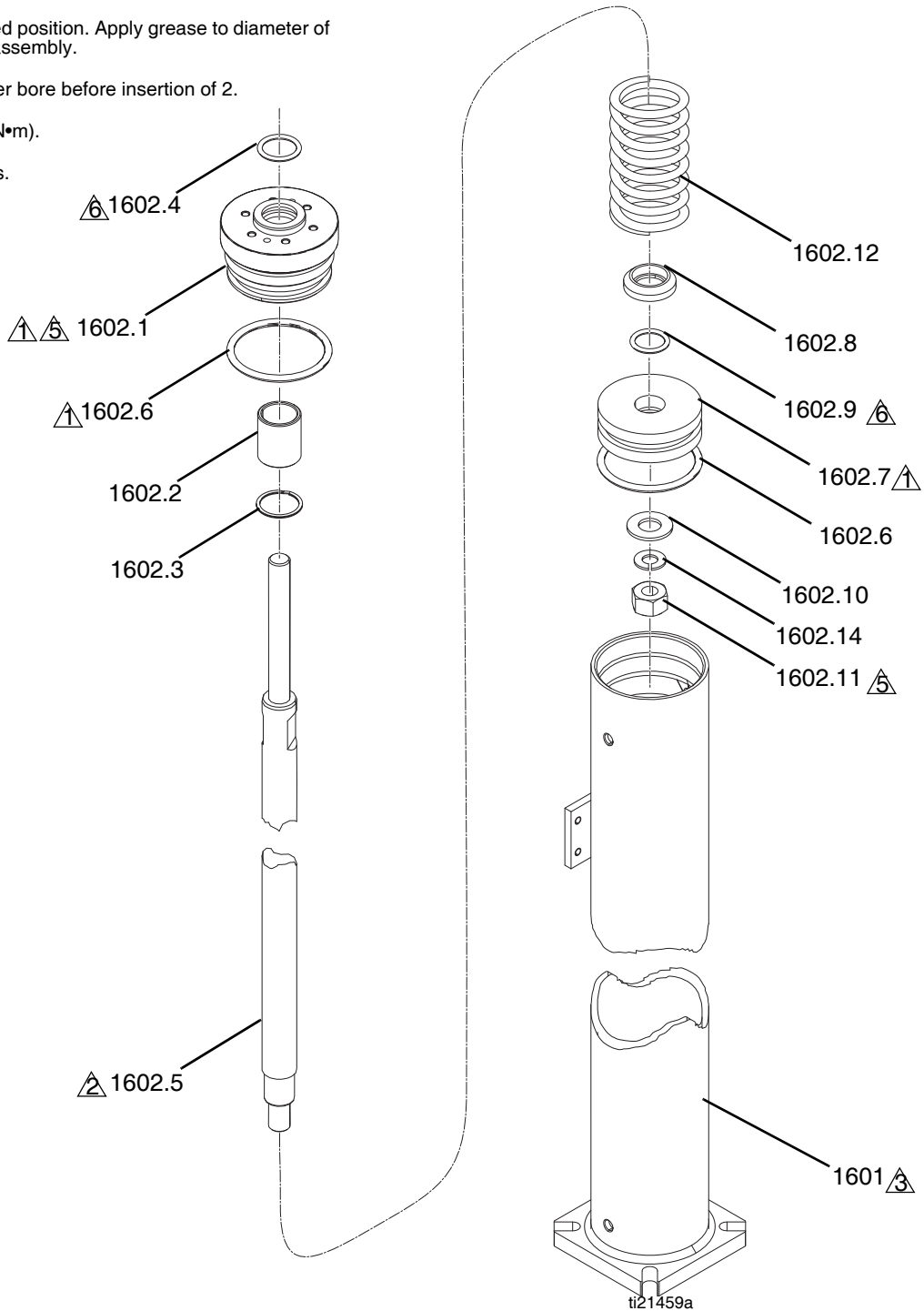


FIG. 23: 55 gallon Air Cylinder

Ref	Part	Description	Quantity
1601	---	RAM, tube, assembly	1
1602	---	PISTON, rod, assembly	1
1602.1	---	CAP, bearing, air cylinder	1
1602.2◆	---	BEARING, air cylinder	1
1602.3◆	---	RING, retaining, spiral	1
1602.4◆	---	PACKING, o-ring, 214	1
1602.5	16V078	SHAFT, piston, air cylinder	1
1602.6◆	---	PACKING, o-ring, buna-n	2
1602.7	183943	PISTON	1
1602.8◆	---	GUIDE, spring	1
1602.9◆	---	PACKING, o-ring	1
1602.10◆	---	WASHER, plain, 5/8	1
1602.11◆	---	NUT, hex, 5/8-11	1
1602.12◆	---	SPRING, compression	1
1602.14◆	---	WASHER, lock, 5/8	1

◆ Parts available in kit 24T006.

--- Not available for individual sale.

5 gallon Air Cylinder, 24R640

- ⚠ Apply grease to o-rings and threads of 2 prior to assembly.
- ⚠ Add grease to cylinder bore before insertion of 2.
- ⚠ Install 2 in fully retracted position. Apply grease to diameter of shaft inside 1 prior to assembly.
- ⚠ Apply pipe sealant to tapered pipe threads.
- ⚠ Apply grease to seals and bearing surfaces.
- ⚠ Apply medium strength thread locker to threads and torque nut to 30 ft-lb (41 N•m)

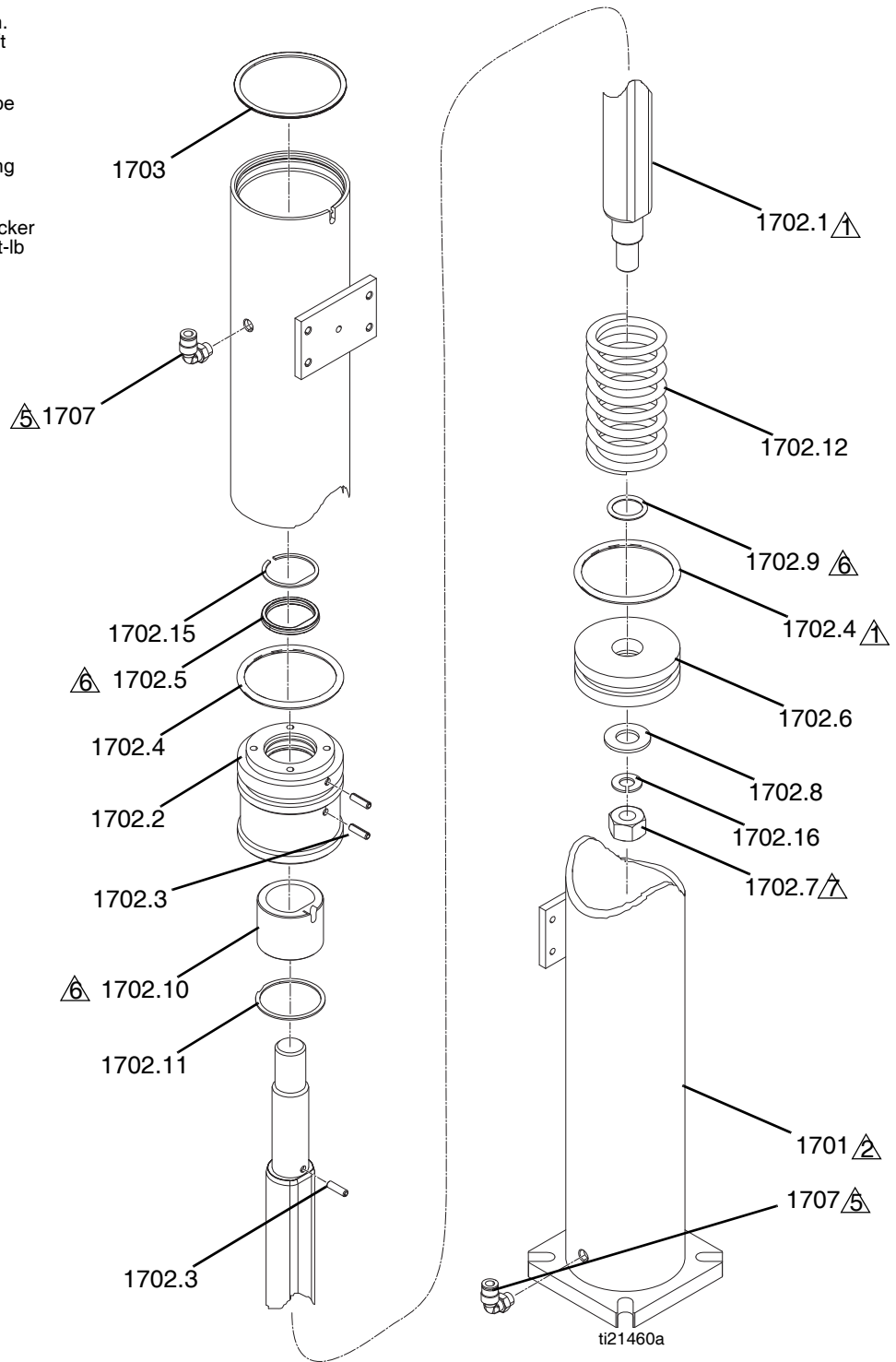


FIG. 24: 5 gallon Air Cylinder

Ref	Part	Description	Quantity
1701	---	RAM, tube, 5 gallon ram, assembly	1
1702	---	PISTON, rod, 5 gallon ram, assembly	1
1702.1	16V170	SHAFT, piston, air cylinder, 5 gallon ram	1
1702.2	---	BEARING, rod top	1
1702.3	15U979	PIN, spring, straight	3
1702.4◆	---	PACKING, o-ring, buna-n	2
1702.5◆	---	SEAL, D-shaped ucup	1
1702.6	183943	PISTON	1
1702.7◆	---	NUT, hex, 5/8-11	1
1702.8◆	---	WASHER, plain, 5/8	1
1702.9◆	---	PACKING, o-ring	1
1702.10◆	---	BEARING, ram end cap	1
1702.11◆	---	RETAINER, retaining ring, 1.88 bore	1
1702.12◆	---	SPRING, compression	1
1702.15◆	15U006	SPACER, D-seal backup ring	1
1702.16◆	---	WASHER, lock, 5/8	1
1703	---	RING, retaining, 3.06 diameter	1
1707	597151	FITTING, elbow	2

◆ Parts available in kit 24T007.

--- Not available for individual sale.

61:1 Checkmate Pump (S100 and P100 Models Only), 24P927

- ⚠1 Torque 50-60 ft-lb (68-81 N•m).
- ⚠2 Apply medium strength thread locker and torque to 124-155 ft-lb (196-210 N•m).
- ⚠3 Apply pipe sealant.
- ⚠4 Apply anti-seize compound.

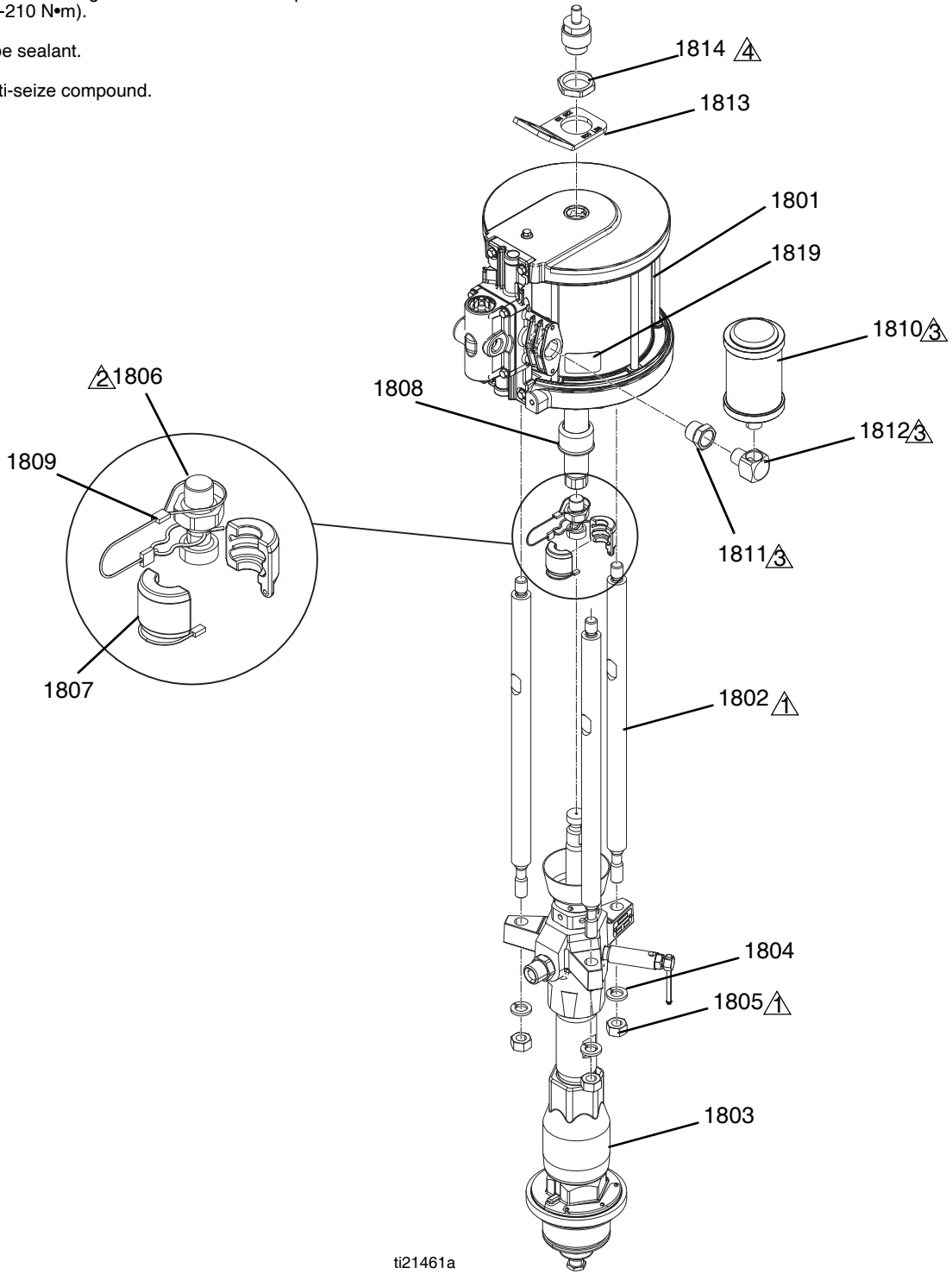


FIG. 25: Checkmate Pump

Ref	Part	Description	Quantity
1801❖	24R015	MOTOR, assembly, air, 7.5 inch, blue	1
1802	257360	ROD, tie, NXT to lower	3
1803❖	L100CS	LOWER, 100 Severe Duty®	1
1804	---	WASHER, lock, spring, #16	3
1805	---	NUT, machine, hex, M16-2	3
1806	15H392	ROD, adapter xtreme®	1
1807	244819	COUPLING, assembly	1
1808	197340	COVER, coupler	1
1809	244820	CLIP, hairpin (w/ lanyard)	1
1810	117237	MUFFLER	1
1811	100896	FITTING, bushing, pipe	1
1812	115764	FITTING, elbow, 90	1
1813	15J993	RING, lift, plate	1
1814	---	NUT, jam, hex, 1.5-12	1
1819	---	LABEL, identification	1
1821*	112887	WRENCH, spanner	1

❖ Refer to the specific component manual for more details.

--- Not available for individual sale.

* Not shown.

Electrical Enclosure, 24R498

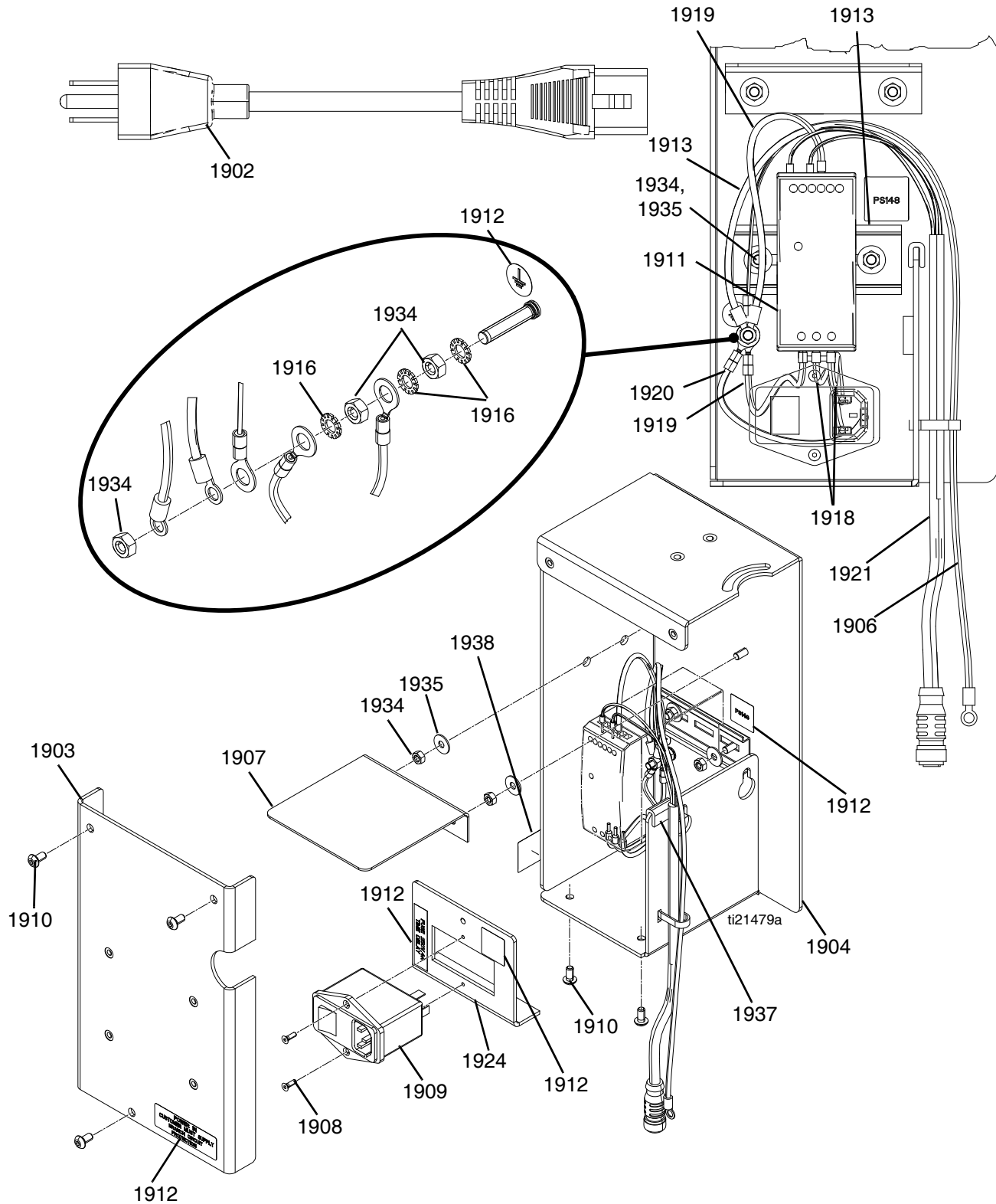



FIG. 26: Electrical Enclosure

Ref	Part	Description	Quantity
1902	121598	CORD, power, iec, na, 120v, 6.6 ft (2 m)	1
1903	---	COVER, enclosure	1
1904	---	BRACKET, mounting	1
1905▲	186620	LABEL, symbol, ground	1
1906	---	HARNESS, 16ga, green/yellow	1
1907	---	BULKHEAD, enclosure	1
1908	---	SCREW, flathead, M3-0.5x10mm	2
1909	120910	SOCKET, electrical, with EMI filter	1
1910	---	SCREW, button head, M5-0.8x10mm, ss	5
1911	126453	POWER SUPPLY, 24v	1
1912	---	LABEL, identification	1
1913	---	RAIL, mount	0.3 ft
1916	---	WASHER, lock, external, M5	3
1918	---	HARNESS, 16ga, black,	2
1919	---	HARNESS, 16ga, green/yellow	2
1920	---	HARNESS, 16ga, green/yellow,	1
1921	16U012	HARNESS, CAN, M12	1
1924	---	BRACKET, switch	1
1934	---	NUT, hex, M5-0.8	7
1935	---	WASHER, plain, #10	4
1936	114835	FUSE, 4.0 amp, 250v, time lag	2
1937	---	GUARD, trim, edge	1
1938	---	LABEL	1

▲ Replacement Danger and Warning labels, tags and cards are available at no cost.

--- Not available for individual sale.

Boom Assembly, 24X010

 Apply medium strength thread locker and torque to 30 ft-lb (41 N•m).

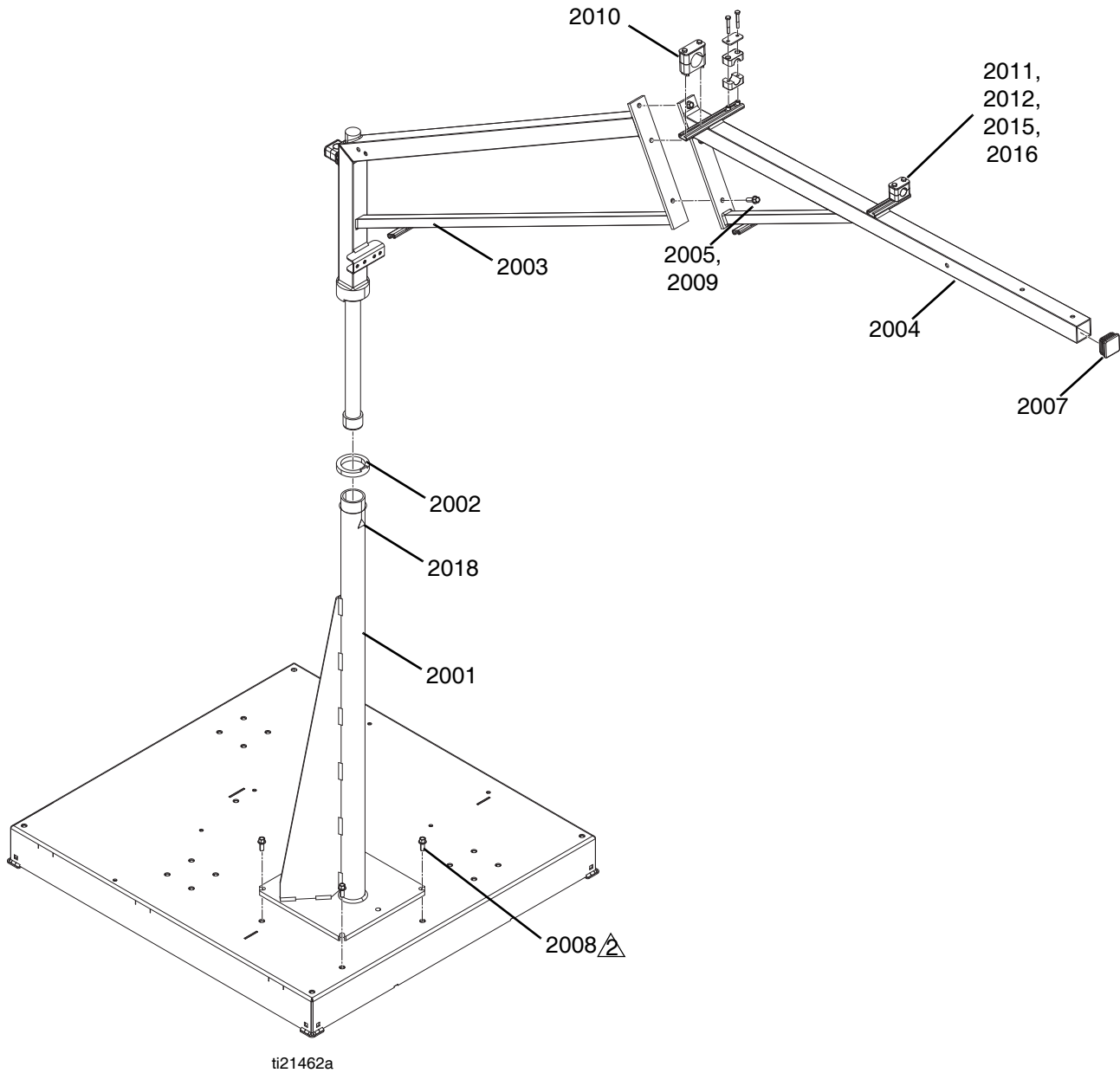


FIG. 27: Boom Assembly

Ref	Part	Description	Quantity
2001	---	SUPPORT, mast	1
2002	---	BEARING, support, boom mast	1
2003	---	SUPPORT, boom, weldment, bearing	1
2004	---	ARM, boom, upper, painted	1
2005	---	SCREW, cap, hex, serrated, M10-1.5x30mm	3
2007	---	PLUG, tube	1
2008	---	SCREW, machine, hex, flange, M10-1.5x25mm	4
2009	---	NUT, hex, flange, serrated, M10-1.5	3
2010	U5A008	CLAMP, hose, 1" id	1
2011	123100	CLAMP, hose, boom, 7/8"	3
2012	---	COVER, plate	3
2015	---	SCREW, cap, hex, 1/4-20x1.75	6
2016	---	NUT, rail	6
2018▲	15H108	LABEL, pinch point	1

▲ Replacement Danger and Warning labels, tags and cards are available at no cost.

--- Not available for individual sale.

High Volume Hose, 24R662

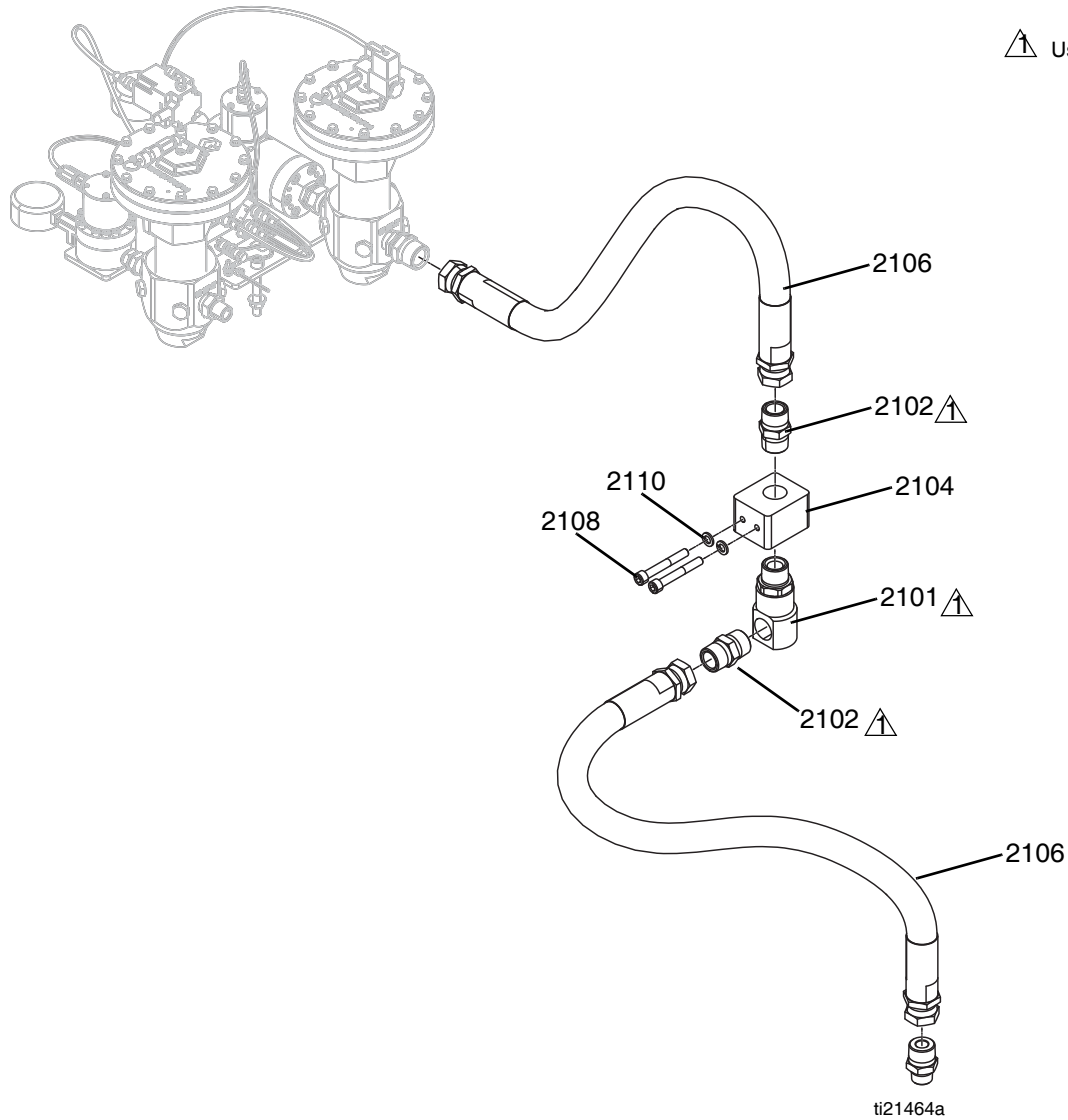
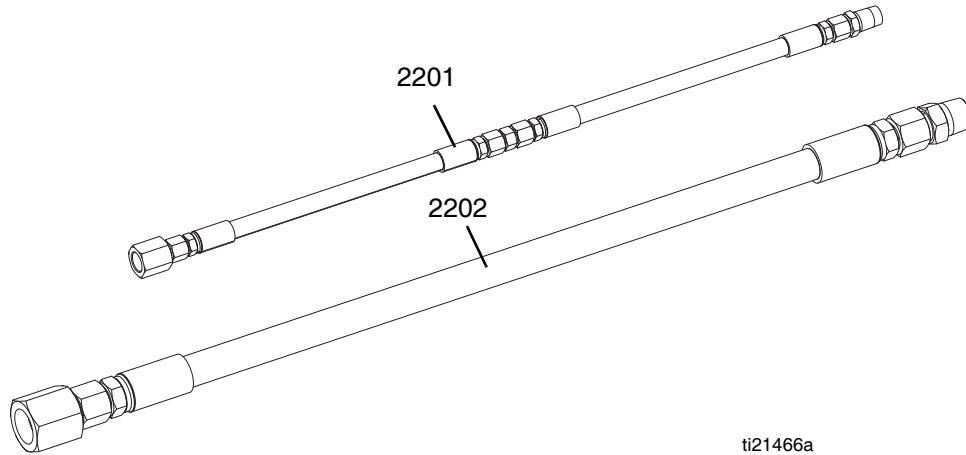


FIG. 28: High Volume Hose

Ref	Part	Description	Quantity
2101	127025	FITTING, elbow, swivel, 1"npt	1
2102	C38302	FITTING, nipple, 1" npt	2
2103	C38304	FITTING, nipple, 1" x 3/4 npt	1
2104	---	MANIFOLD, block, boom	1
2106	16V239	HOSE, assembly	2
2108	---	SCREW, shcs, M10-1.5x65mm	2
2110	---	WASHER, lock, M10	2

--- Not available for individual sale.

Hose Kits

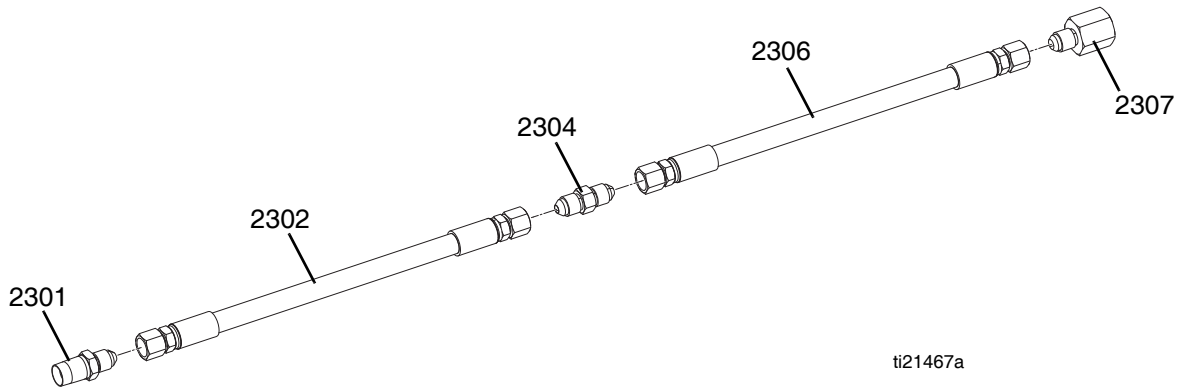


ti21466a

FIG. 29: Hose Kits

Ref	Part	Description	Quantity														
			24R832	24R833	24R834	24T092	24T094	24U253	24T093	24X094	25A426	25C238	25C239	25C240			
2201	24R805	HOSE, assembly, low volume, 1/8 in. x 5 ft. stainless, 1/8 in. x 5 ft. stainless	1														
	24R806	HOSE, assembly, low volume, 1/4 in. x 5 ft. stainless, 1/8 in. x 5 ft. stainless		1													
	24R822	HOSE, assembly, low volume, 1/4 in. x 5 ft. stainless, 1/4 in. x 5 ft. stainless			1												
	24T086	HOSE, assembly, low volume, 3/8 in. x 5 ft. stainless, 1/4 in. x 5 ft. stainless				1											
	24T088	HOSE, assembly, low volume, 1/2 in. x 5 ft. stainless, 3/8 in. x 5 ft. stainless					1										
	24U252	HOSE, assembly, low volume, 3/32 in. x 5ft. Stainless, 3/32 in. x 5 ft. stainless						1									
	24T087	HOSE, assembly, low volume, 1/8 in. x 5 ft. Stainless, 3/32 in. x 5 ft. stainless							1								
	24X092	HOSE, assembly, low volume, 1/4 in. x 10 ft. 5K stainless								1							
	25A424	HOSE, assembly, low volume, 2 MM x 15 ft. Stainless									1						
	25C234	HOSE, assembly, low volume, 3/8 in. x 5 ft. Stainless, 1/8 in. x 5 ft. stainless										1					
	25C235	HOSE, assembly, low volume, 1/4 in. x 5 ft. Stainless x 3												1			
25C236	HOSE, assembly, low volume, 1/4 in. x 5 ft. Stainless x 2, 1/8 in. x 5 ft. stainless															1	
2202	24R734	HOSE, assembly, dispenser, high volume, 5/8 in. x 10 ft. PTFE	1	1	1	1	1	1	1	1	1	1	1	1	1	1	1
	25A425	HOSE, assembly, dispenser, high volume 3/4 in. x 5ft. Stainless, 5/8 in. x 10 ft. stainless											1		1	1	1

Low Volume Hose Kits - 24R805, 24R806, 24R822, 24T086, 24T087, 24T088, 24U252



ti21467a

FIG. 30: Low Volume Hose Kits

Ref	Part	Description	Quantity										
			24R805	24R806	24R822	24T086	24T088	24U252	24T087	24X092	25A424	25C234	
2301	124961	FITTING, adapter, 04jicx1/4npt	1	1	1					1	1		
	124846	FITTING, adapter, 03jic x 1/4npt						1				1	
	116704	ADAPTER,9/16-18jic x 1/4npt				1							1
	116703	ADAPTER, 3/4-16jic x 1/4npt					1						
2302	16W047	HOSE, Assembly, 3/32" x 60"						1	1				
	16V531	HOSE, Assembly, 1/8" x 60"	1										
	17D293	HOSE, Assembly, 1/4" x 120"								1			
	17K152	HOSE, Assembly, 2MM x 180"										1	
	16V219	HOSE, assembly, 1/4"x60"		1	1								
	16V220	HOSE, assembly, 3/8"x60"				1							1
	16V221	HOSE, assembly, 1/2"x60"					1						
2304	061703	FITTING, adapter, 03jic x 04jic								1			
	124845	FITTING, adapter, 03jic x 03jic						1					
	123251	FITTING, union, jic04	1	1	1								
	124852	ADAPTER, jic04 x jic06				1							1
	126366	FITTING, union, jic08 x jic06					1						
2306	16W047	HOSE, Assembly, 3/32" x 60"						1	1				
	16V531	HOSE, Assembly, 1/8" x 60"	1	1									1
	16V219	HOSE, assembly, 1/4"x60"			1	1							
	16V220	HOSE, assembly, 3/8"x60"					1						
2307	061702	FITTING, adapter, 1/4npt x jic03						1	1				
	124846	FITTING, adapter, 03jic x 1/4npt										1	
	127093	FITTING, adapter, 1/4npt x jic04	1	1	1	1					1		1
	124967	FITTING, adapter, jic06 x 1/4npt					1						

25C235, 25C236

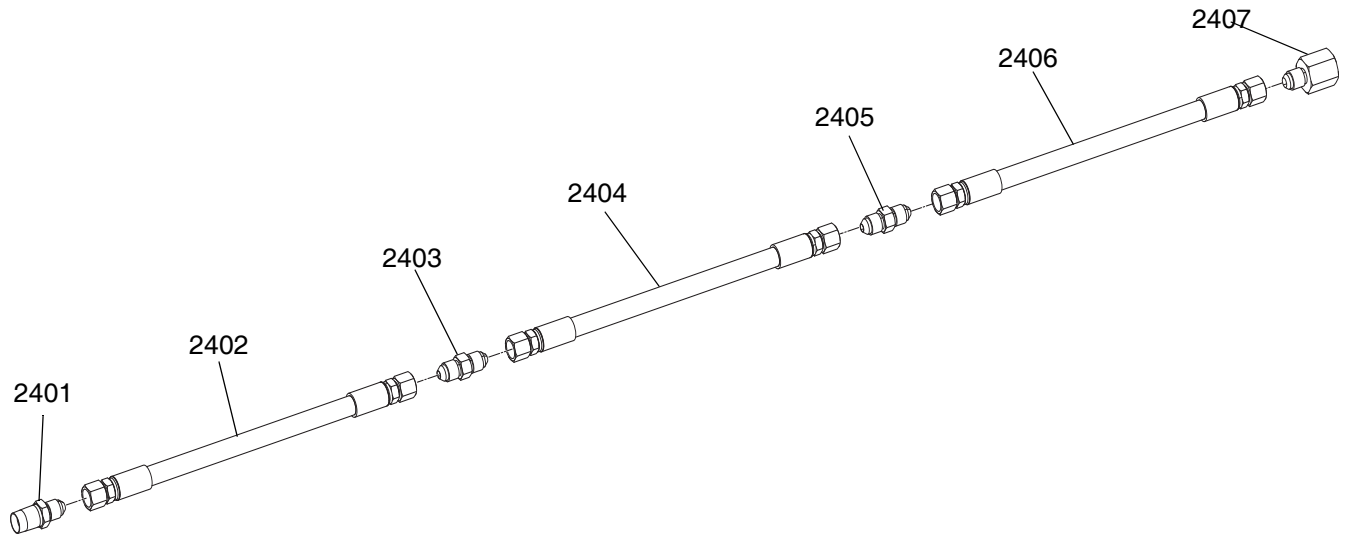


FIG. 31: Low Volume Hose Kits

25C235			
Ref	Part	Description	Quantity
2401	124961	FITTING, adapter, 04jic x 1/4npt	1
2402	16V219	HOSE, assembly 1/4" x 60"	1
2403	123251	FITTING, union, jic04	1
2404	16V219	HOSE, assembly 1/4" x 60"	1
2405	123251	FITTING, union, jic04	1
2406	16V219	HOSE, assembly 1/4" x 60"	1
2407	127093	FITTING, adapter, 1/4npt x jic04	1

25C236			
Ref	Part	Description	Quantity
2401	124961	FITTING, adapter, 04jic x 1/4npt	1
2402	16V219	HOSE, assembly 1/4" x 60"	1
2403	123251	FITTING, union, jic04	1
2404	16V219	HOSE, assembly 1/4" x 60"	1
2405	123251	FITTING, union, jic04	1
2406	16V531	HOSE, assembly 1/8" x 60"	1
2407	127093	FITTING, adapter, 1/4npt x jic04	1

High Volume Hose, 24R734

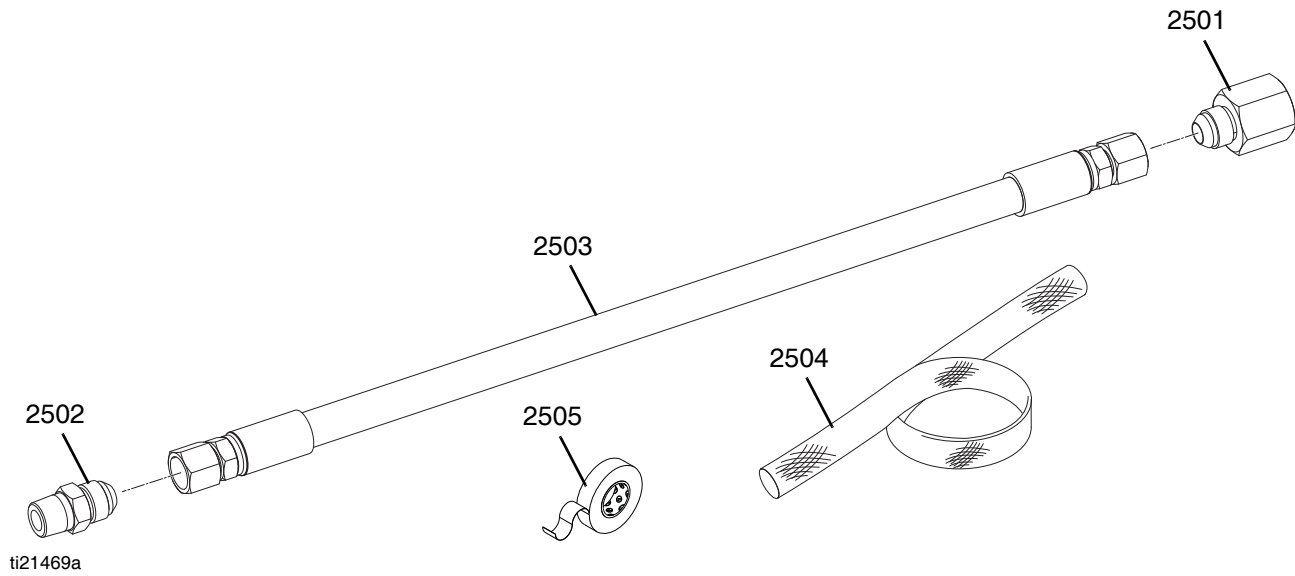


FIG. 32: High Volume Hose

Ref	Part	Description	Quantity
2501	126976	FITTING, adapter, 1/2nptf x 10jicm	1
2502	C20768	FITTING, straight	1
2503	16V311	HOSE, assembly, 5/8"x120"	1
2504	17C292	SLEEVE, protective, black, 8 feet	1
2505	127874	TAPE, electrical, roll	1

High Volume Hose, 25A425

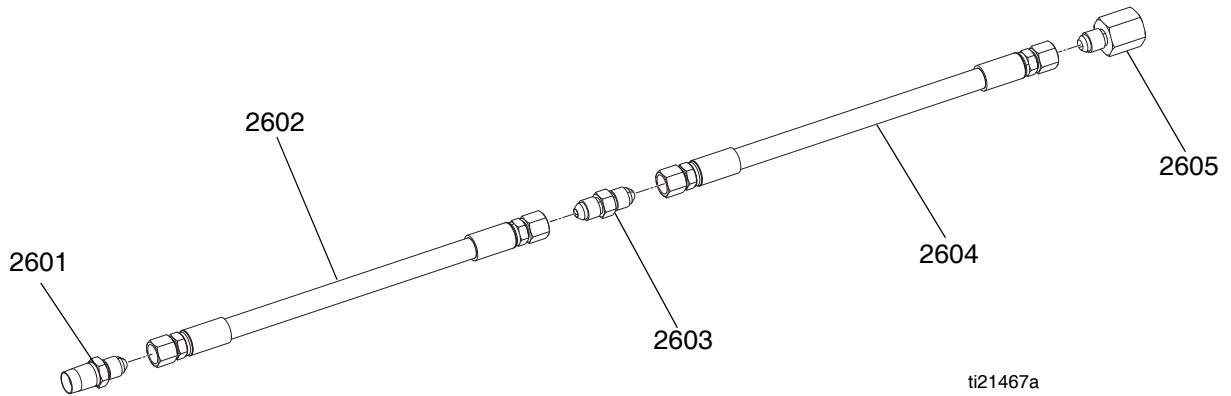



FIG. 33: High Volume Hose

Ref	Part	Description	Quantity
2601	107052	FITTING, adapter, 1/2nptm x 12jicm	1
2602	24E104	HOSE, assembly, 3/4" x 53" L	1
2603	120246	FITTING, adapter, 10jic x 12jic	1
2604	16V311	HOSE, assembly, 5/8" x 120" L	1
2605	128842	FITTING, adapter, 1/2npt x 10jic	1
2606	127874	TAPE, electrical, roll, black	1
2607	17K187	SLEEVE, protective, black, 13ft	1

Dispense Valves

Ultra-Lite™ TriCore, 24P221

 Apply pipe sealant to all male threads as needed.

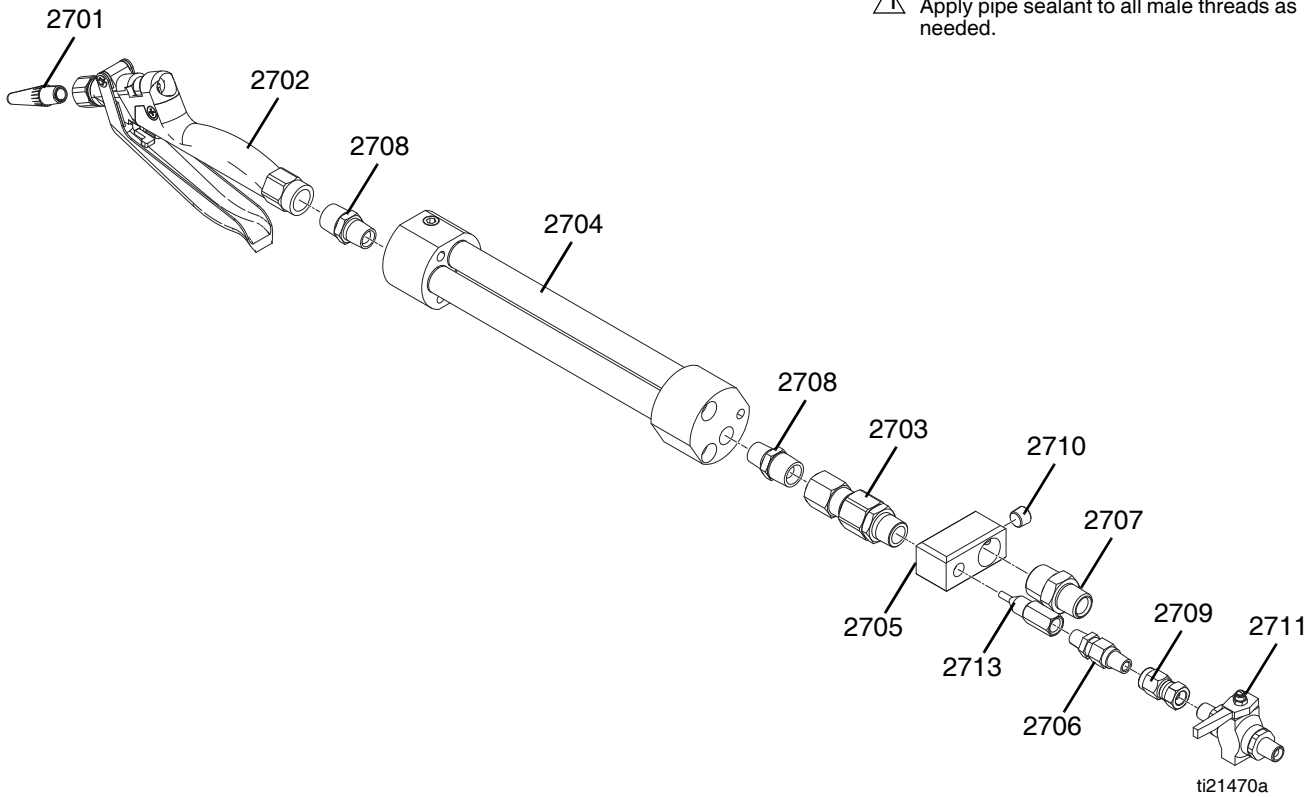


FIG. 34: Ultra-Lite TriCore

Ref	Part	Description	Quantity
2701	512135	NOZZLE, extrusion	6
2702❖	235628	GUN, flow, ultra-lite 6000	1
2703	207947	SWIVEL, straight, 1/2nptf x 1/2nptm	1
2704	24R682	MIXER, tri-core, high flow	1
	948081	MIXER, tri-core, low flow	1
2705	623875	MANIFOLD, mix	1
2706	127049	VALVE, check, 1/4npt	1
2707	196142	FITTING, adapter 1/2 npt x 3/4 npt	1
2708	159239	FITTING, nipple, pipe	2
2709	155570	SWIVEL, union	1
2710	100721	PLUG, pipe	1
2711	214037	VALVE, ball	1
2713	624157	HOUSING, injector 1/4 npt	1
2714★	116643	VALVE, safety, relief, air	2

❖ Refer to the specific component manual for more details.

★ Not shown.

Tri-Core Mixer, 24R682

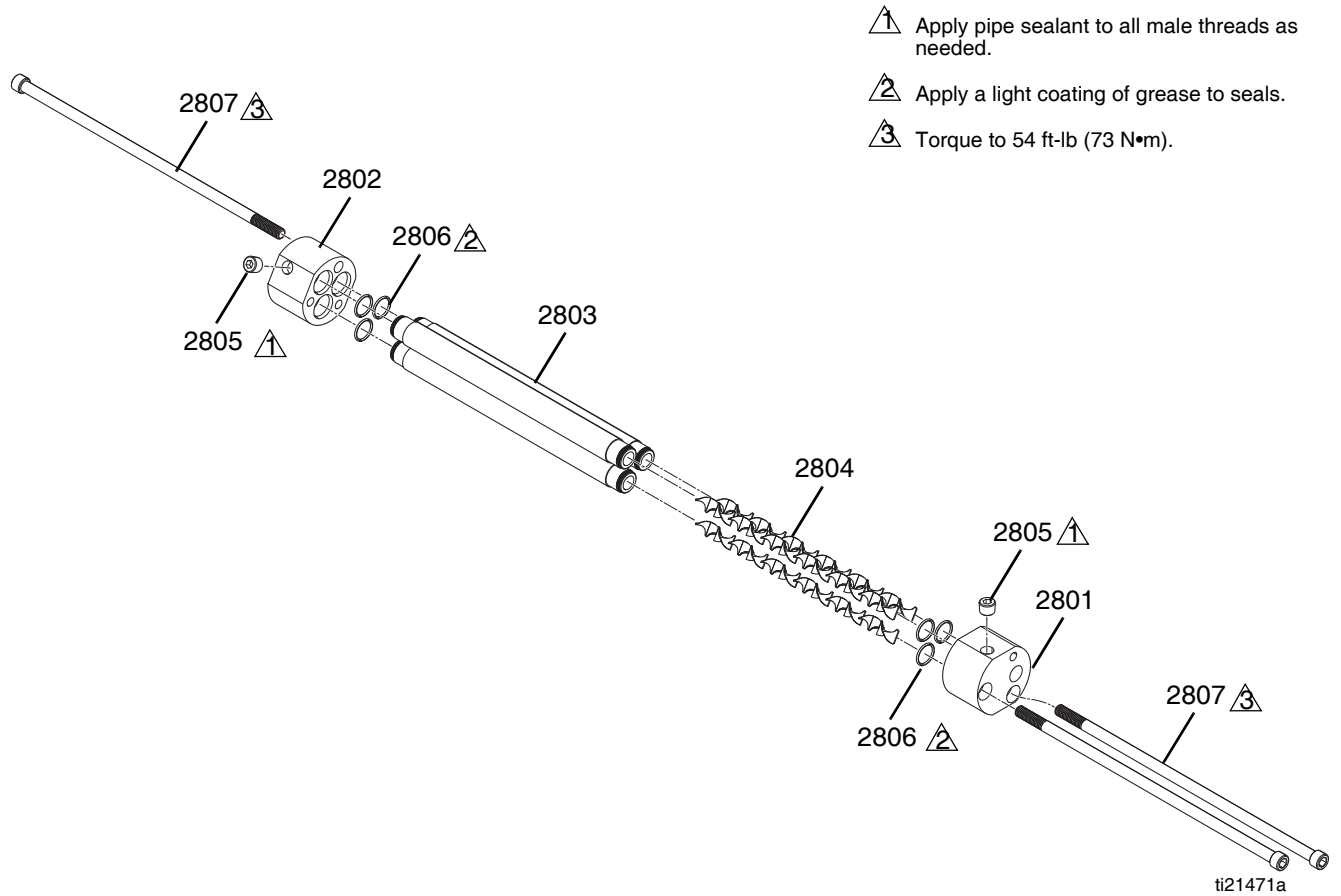



FIG. 35: Tri-Core Mixer

Ref	Part	Description	Quantity
2801	16V145	CAP, end, mixer, tri-core, inlet	1
2802	16V146	CAP, end, mixer, tri-core, outlet	1
2803	16V448	TUBE, crossover, tri-core	3
2804	127083	MIXER, static, 0.494dia x 12el, ss	3
2805	100721	PLUG, pipe	2
2806	111116	PACKING, o-ring, seat	6
2807	127081	SCREW, sockethead, 3/8-16x12 in.	3

Ultra-Lite, 24P223

 Apply pipe sealant to all male threads as needed.

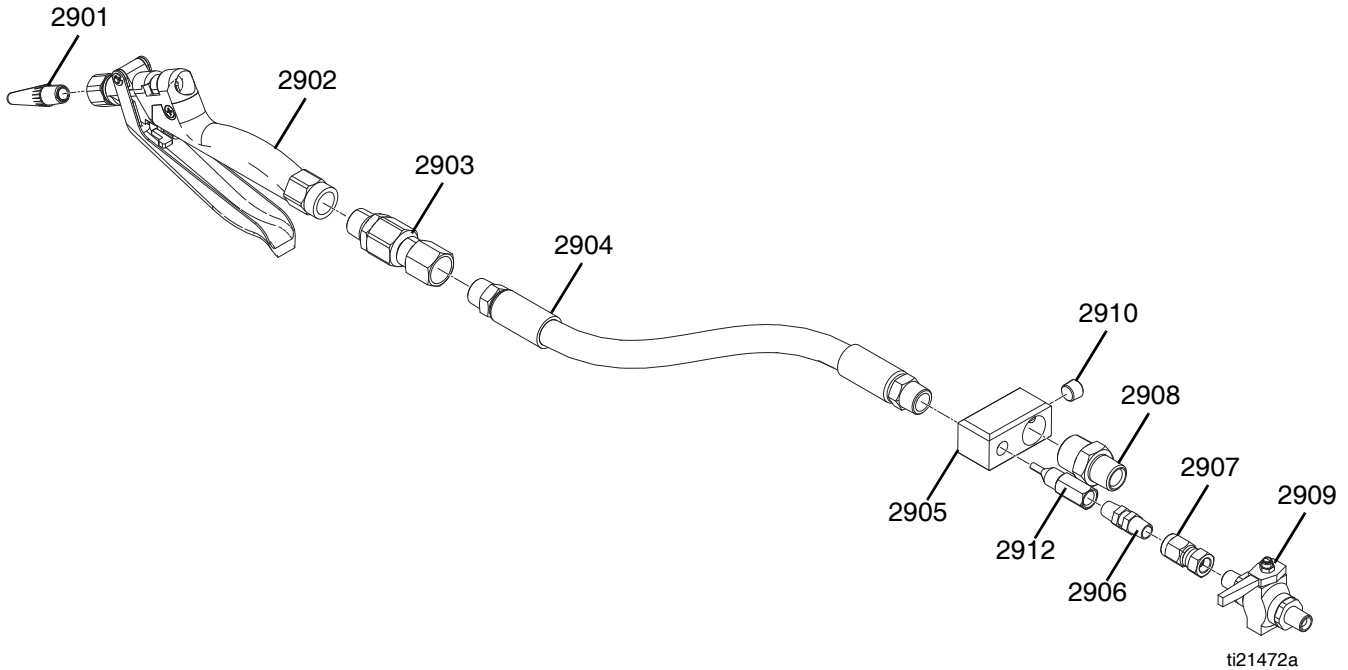
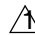


FIG. 36: Ultra-Lite

Ref	Part	Description	Quantity
2901	512135	NOZZLE, extrusion	6
2902❖	235628	GUN, flow, ultra-lite 6000	1
2903	207947	SWIVEL, straight, 1/2nptf x 1/2nptm	1
2904	948097	MIXER, hose, 36 element	1
	948315	OPTIONAL - MIXER, hose, 24element	1
2905	623875	MANIFOLD, mix	1
2906	195898	VALVE, check, 1/4 npt (m)	1
2907	155570	SWIVEL, union	1
2908	196142	FITTING, adapter 1/2 npt x 3/4 npt	1
2909	214037	VALVE, ball	1
2910	100721	PLUG, pipe	1
2912	624157	HOUSING, injector 1/4 npt	1

❖ Refer to the specific component manual for more details.

MD2, 24P217

 Apply pipe sealant to all male threads as needed.

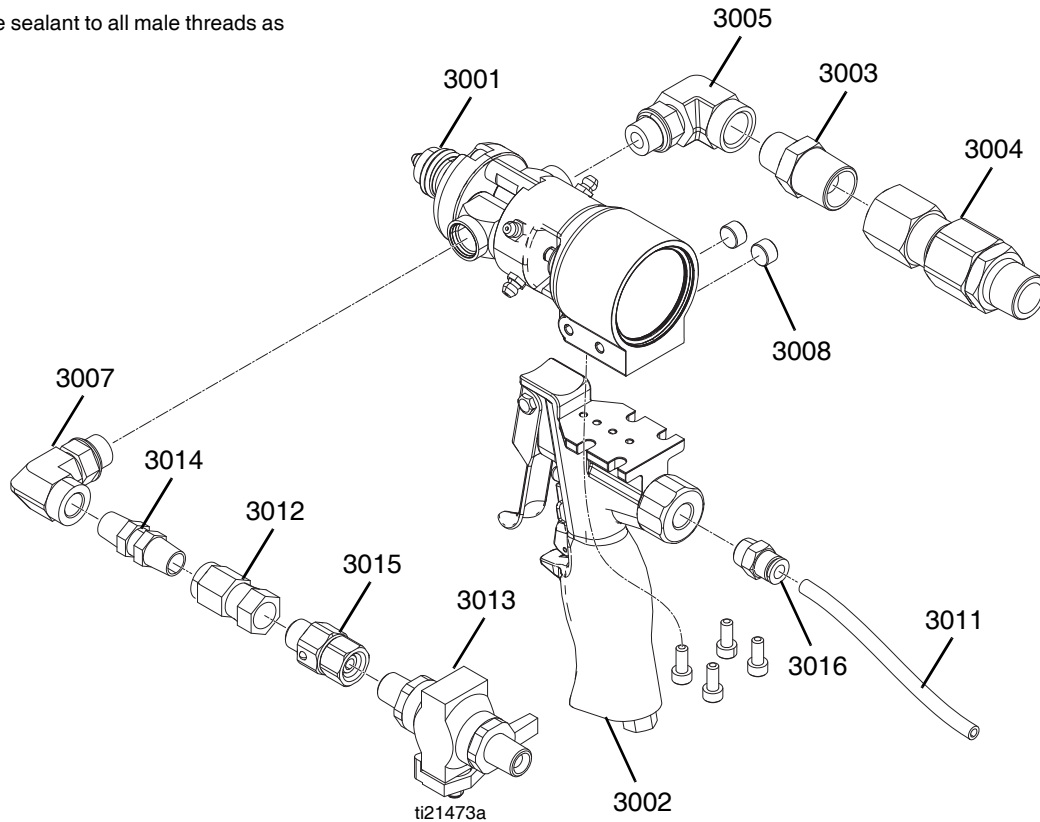


FIG. 37: MD2

Ref	Part	Description	Quantity
3001❖	255182	VALVE, dispense, 10:1, hard seats	1
3002	255206	HANDLE, 2k dispense valve, air	1
3003	159239	FITTING, nipple, pipe	1
3004	207947	SWIVEL, straight, 1/2nptf x 1/2nptm	1
3005	127104	FITTING, elbow, 3/8nptxsae06	1
3007	122969	FITTING, elbow, 1/4nptxsae06	1
3008	104765	PLUG, pipe headless	2
3010	15W744	SLEEVE, protective	30
3011	C12509	TUBE, nylon	30
3012	155570	SWIVEL, union	1
3013	214037	VALVE, ball	1
3014	195898	VALVE, check, 1/4 npt (m)	1
3015	189018	SWIVEL	1
3016	125428	FITTING, connector, male, 1/4 nptf	1

❖ Refer to the specific component manual for more details.

Light Tower, 24R824

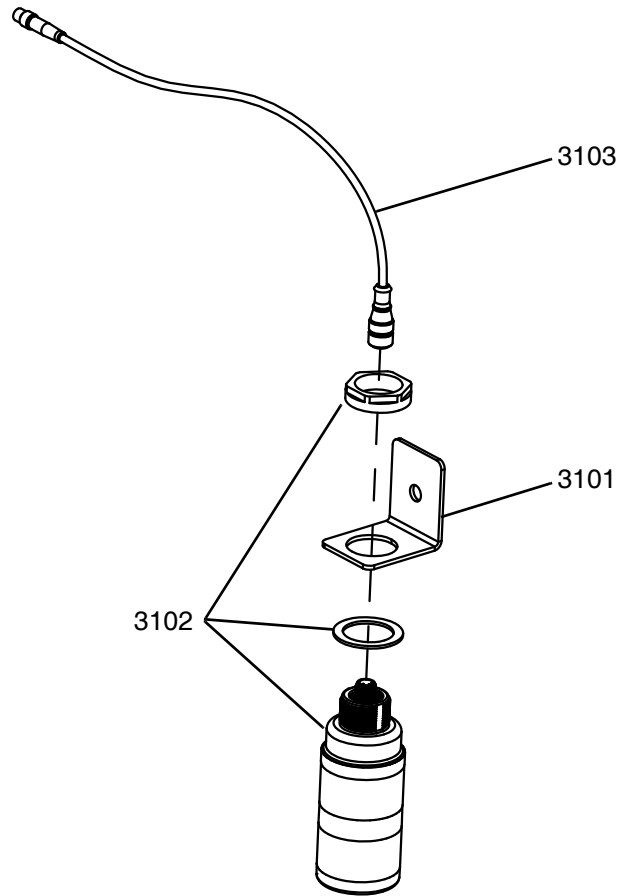


FIG. 38: Light Tower

Ref	Part	Description	Quantity
3101	---	BRACKET, tower, light, 30mm	1
3102	127187	LIGHT, tower, 30mm, red / green / alarm	1
3103	127184	HARNESS, m12xm12	1

--- Not available for individual sale.

Graco Standard Warranty

Graco warrants all equipment referenced in this document which is manufactured by Graco and bearing its name to be free from defects in material and workmanship on the date of sale to the original purchaser for use. With the exception of any special, extended, or limited warranty published by Graco, Graco will, for a period of twelve months from the date of sale, repair or replace any part of the equipment determined by Graco to be defective. This warranty applies only when the equipment is installed, operated and maintained in accordance with Graco's written recommendations.

This warranty does not cover, and Graco shall not be liable for general wear and tear, or any malfunction, damage or wear caused by faulty installation, misapplication, abrasion, corrosion, inadequate or improper maintenance, negligence, accident, tampering, or substitution of non-Graco component parts. Nor shall Graco be liable for malfunction, damage or wear caused by the incompatibility of Graco equipment with structures, accessories, equipment or materials not supplied by Graco, or the improper design, manufacture, installation, operation or maintenance of structures, accessories, equipment or materials not supplied by Graco.

This warranty is conditioned upon the prepaid return of the equipment claimed to be defective to an authorized Graco distributor for verification of the claimed defect. If the claimed defect is verified, Graco will repair or replace free of charge any defective parts. The equipment will be returned to the original purchaser transportation prepaid. If inspection of the equipment does not disclose any defect in material or workmanship, repairs will be made at a reasonable charge, which charges may include the costs of parts, labor, and transportation.

THIS WARRANTY IS EXCLUSIVE, AND IS IN LIEU OF ANY OTHER WARRANTIES, EXPRESS OR IMPLIED, INCLUDING BUT NOT LIMITED TO WARRANTY OF MERCHANTABILITY OR WARRANTY OF FITNESS FOR A PARTICULAR PURPOSE.

Graco's sole obligation and buyer's sole remedy for any breach of warranty shall be as set forth above. The buyer agrees that no other remedy (including, but not limited to, incidental or consequential damages for lost profits, lost sales, injury to person or property, or any other incidental or consequential loss) shall be available. Any action for breach of warranty must be brought within two (2) years of the date of sale.

GRACO MAKES NO WARRANTY, AND DISCLAIMS ALL IMPLIED WARRANTIES OF MERCHANTABILITY AND FITNESS FOR A PARTICULAR PURPOSE, IN CONNECTION WITH ACCESSORIES, EQUIPMENT, MATERIALS OR COMPONENTS SOLD BUT NOT MANUFACTURED BY GRACO. These items sold, but not manufactured by Graco (such as electric motors, switches, hose, etc.), are subject to the warranty, if any, of their manufacturer. Graco will provide purchaser with reasonable assistance in making any claim for breach of these warranties.

In no event will Graco be liable for indirect, incidental, special or consequential damages resulting from Graco supplying equipment hereunder, or the furnishing, performance, or use of any products or other goods sold hereto, whether due to a breach of contract, breach of warranty, the negligence of Graco, or otherwise.

FOR GRACO CANADA CUSTOMERS

The Parties acknowledge that they have required that the present document, as well as all documents, notices and legal proceedings entered into, given or instituted pursuant hereto or relating directly or indirectly hereto, be drawn up in English. Les parties reconnaissent avoir convenu que la rédaction du présente document sera en Anglais, ainsi que tous documents, avis et procédures judiciaires exécutés, donnés ou intentés, à la suite de ou en rapport, directement ou indirectement, avec les procédures concernées.

Graco Information

Sealant and Adhesive Dispensing Equipment

For the latest information about Graco products, visit www.graco.com.

For patent information, see www.graco.com/patents.

TO PLACE AN ORDER, contact your Graco distributor, go to www.graco.com and select "Where to Buy" in the top blue bar, or call to find the nearest distributor.

If calling from the US: 800-746-1334

If calling from outside the US: 0-1-330-966-3000

All written and visual data contained in this document reflects the latest product information available at the time of publication. Graco reserves the right to make changes at any time without notice.

Original instructions. This manual contains English. MM 332452

Graco Headquarters: Minneapolis

International Offices: Belgium, China, Japan, Korea

GRACO INC. AND SUBSIDIARIES • P.O. BOX 1441 • MINNEAPOLIS MN 55440-1441 • USA

Copyright 2013, Graco Inc. All Graco manufacturing locations are registered to ISO 9001.

www.graco.com

Revision T, April 2018