

# 15T632 Air Flow Switch Kit

406719B

For ProMix® 2KS and ProMix® 2KE Electronic Proportioners

ENG



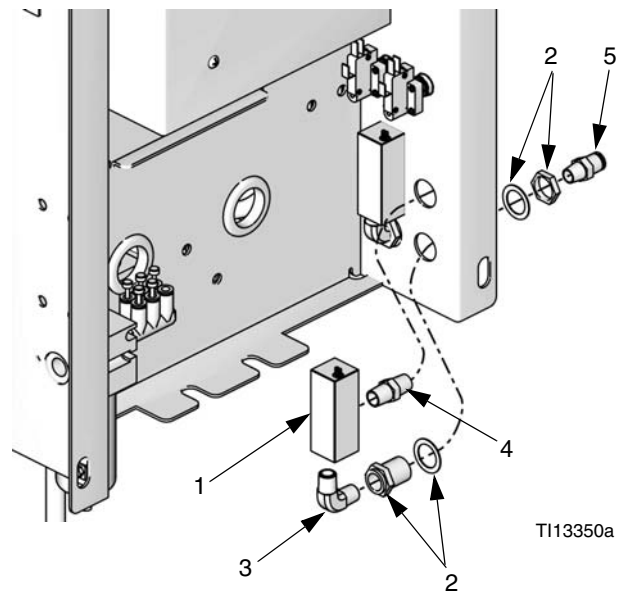
**Important Safety Instructions**

Read all warnings and instructions in your ProMix 2KS or ProMix 2KE Repair-Parts manual. Save those instructions.

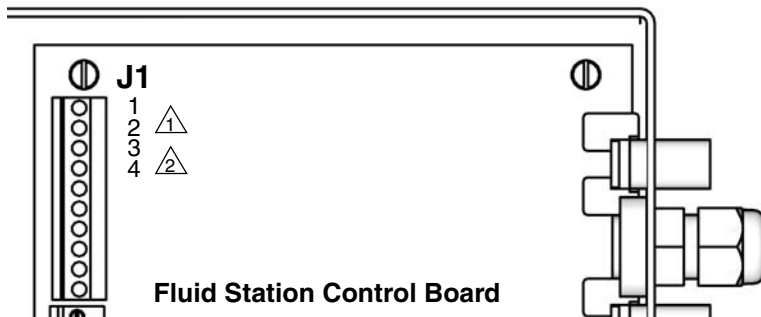
Ref. Part	Description	Qty.
1	119159 SWITCH, air flow	1
2	104641 FITTING, bulkhead	1
3	111763 ELBOW; 1/4 npt	1
4	113029 NIPPLE; 1/4 npt	1
5	598447 CONNECTOR, tube; 1/4 npt(m) x 3/8 in. (10 mm) OD tube	1

## ProMix 2KS Installation

- 1 Connect AFS#1 wires to terminals 1 and 2 at J1 of Fluid Station Control Board.
- 2 Connect AFS#2 wires to terminals 3 and 4 at J1 of Fluid Station Control Board.



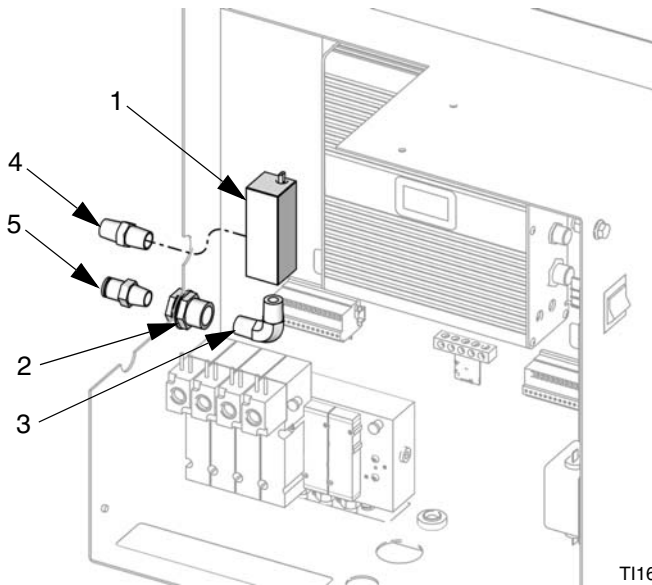
TI13350a



TI13347a

See reverse for ProMix 2KE installation.

# ProMix 2KE Installation

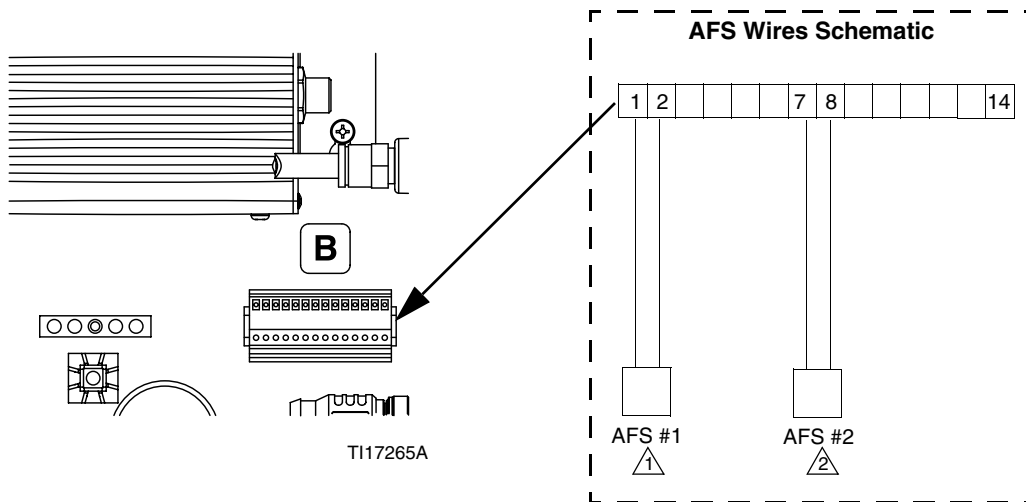


TI16428a

Install Air Flow Switch in Control Box

① Connect AFS#1 wires to pins 1 and 2.

② Connect AFS#2 wires to pins 7 and 8.



TI17265A

All written and visual data contained in this document reflects the latest product information available at the time of publication. Graco reserves the right to make changes at any time without notice.

Original instructions. This manual contains English. MM 406719

**Graco Headquarters:** Minneapolis

**International Offices:** Belgium, China, Japan, Korea

**GRACO INC. P.O. BOX 1441 MINNEAPOLIS, MN 55440-1441**

Copyright 2009, Graco Inc. is registered to ISO 9001

www.graco.com

Revised 4/2011