

# XM<sup>TM</sup> Plural-Component Sprayers

312359L

EN

For spraying two-component epoxy and urethane protective coatings in hazardous and non-hazardous locations.

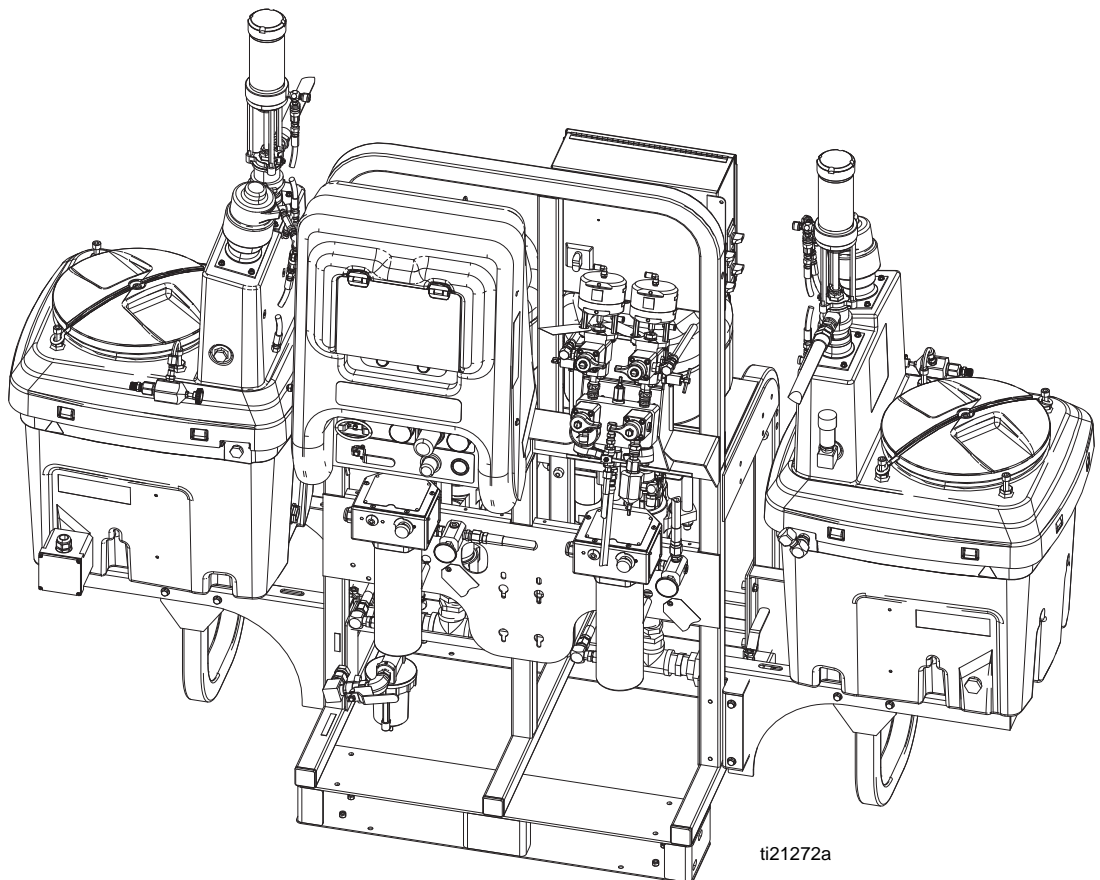
For professional use only.



**Important Safety Instructions**

Read all warnings and instructions in this manual. Save these instructions.

See page 7 for model information and agency approvals.  
See page 87 for maximum working pressure.



# Contents

|  |           |  |           |
|--|-----------|--|-----------|
| <b>Related Manuals</b> .....                     | <b>3</b>  | <b>System Verification</b> .....         | <b>40</b> |
| <b>Warnings</b> .....                            | <b>4</b>  | Mix and Integration Tests .....          | 40        |
| <b>Models</b> .....                              | <b>7</b>  | Pump and Metering Test .....             | 40        |
| <b>Overview</b> .....                            | <b>9</b>  | Batch Dispense or Ratio Test .....       | 43        |
| Usage .....                                      | 9         | <b>Empty and Flush Entire System</b>     |           |
| Isocyanate Hazard .....                          | 9         | <b>(new sprayer or end of job)</b> ..... | <b>45</b> |
| Material Self-Ignition .....                     | 9         | <b>Download Data from USB</b> .....      | <b>47</b> |
| Moisture Sensitivity of Isocyanates .....        | 9         | USB Logs .....                           | 47        |
| Components A and B .....                         | 10        | Download Setup .....                     | 47        |
| Changing Materials .....                         | 10        | Download Procedure .....                 | 47        |
| <b>Location</b> .....                            | <b>11</b> | <b>Maintenance</b> .....                 | <b>49</b> |
| Grounding .....                                  | 11        | Filters .....                            | 49        |
| <b>Proper Lifting of Sprayer</b> .....           | <b>11</b> | Seals .....                              | 49        |
| <b>Initial System Setup</b> .....                | <b>12</b> | Cleaning Procedure .....                 | 49        |
| <b>Component Identification</b> .....            | <b>13</b> | <b>Troubleshooting</b> .....             | <b>50</b> |
| User Interface .....                             | 17        | LED Diagnostic Information .....         | 51        |
| <b>Setup</b> .....                               | <b>19</b> | <b>Accessories and Kits</b> .....        | <b>52</b> |
| Connect Power Cord .....                         | 19        | <b>Appendix A</b> .....                  | <b>54</b> |
| Configure to Supply Power .....                  | 20        | User Interface Display .....             | 54        |
| Wire Sprayers with Explosion-Proof Heaters ..    | 21        | Change a Setting .....                   | 54        |
| Connect Air Supply .....                         | 21        | Setup Mode Screens .....                 | 55        |
| Connect Fluid Hose Assembly .....                | 22        | Automatically Displayed Screens .....    | 70        |
| Adjust Packing Nuts .....                        | 22        | <b>Appendix B</b> .....                  | <b>71</b> |
| <b>Basic Operation</b> .....                     | <b>23</b> | <b>Appendix C</b> .....                  | <b>73</b> |
| Power On (Alternator Power Supplied Systems)     | 23        | Power Cord Guidelines .....              | 73        |
| Power On (Wall Power Supplied Systems) ..        | 23        | <b>Appendix D</b> .....                  | <b>74</b> |
| Adjust Ratio and Setup .....                     | 23        | Alarms .....                             | 74        |
| Final Setup .....                                | 23        | View Alarms .....                        | 74        |
| View Alarms .....                                | 23        | Diagnose Alarms .....                    | 74        |
| Set System Settings (Optional) .....             | 24        | Clear Alarms .....                       | 74        |
| Set Maintenance Parameters (Optional) .....      | 25        | <b>Dimensions</b> .....                  | <b>83</b> |
| Set Sprayer Limits (Optional) .....              | 26        | <b>Pump Performance Charts</b> .....     | <b>86</b> |
| <b>Prime</b> .....                               | <b>27</b> | <b>Technical Data</b> .....              | <b>87</b> |
| Prime A and B Fluids .....                       | 27        | <b>Graco Standard Warranty</b> .....     | <b>88</b> |
| Prime Solvent Flush Pump .....                   | 29        | <b>Graco Information</b> .....           | <b>88</b> |
| <b>Recirculate</b> .....                         | <b>30</b> |  |           |
| Without Heat .....                               | 30        |  |           |
| With Heat .....                                  | 31        |  |           |
| Heat Fluid .....                                 | 31        |  |           |
| <b>Spray</b> .....                               | <b>32</b> |  |           |
| <b>Adjust B Machine Outlet Restriction</b> ..... | <b>33</b> |  |           |
| <b>Pressure Relief Procedure</b> .....           | <b>34</b> |  |           |
| <b>Flush Mixed Material</b> .....                | <b>36</b> |  |           |
| <b>Park Fluid Pump Rods</b> .....                | <b>38</b> |  |           |
| <b>Shutdown Entire System</b> .....              | <b>39</b> |  |           |

## Related Manuals





Manuals are available at [www.graco.com](http://www.graco.com).

Component Manuals in U.S. English:

| Manual | Description  |
|--------|--|
| 313289 | XM Plural-Component Sprayers<br>Repair-Parts                               |
| 313292 | XM Plural-Component OEM Sprayers<br>Instructions-Parts                     |
| 311762 | Xtreme <sup>®</sup> Displacement Pumps<br>Instructions-Parts               |
| 311238 | NXT <sup>™</sup> Air Motor Instructions-Parts                              |
| 312747 | Double Wall Hopper Kit<br>Instructions-Parts                               |
| 309524 | Viscon <sup>®</sup> HP Heater Instructions-Parts                           |
| 312145 | XTR <sup>™</sup> 5 and XTR <sup>™</sup> 7 Spray Guns<br>Instructions-Parts |
| 312769 | Feed Pump and Agitator Kits<br>Instructions-Parts                          |
| 312794 | Merkur <sup>®</sup> Pump Assembly<br>Instructions-Parts                    |
| 406699 | 7-Gallon Hopper Installation Kit<br>Instructions-Parts                     |
| 406739 | Desiccant Kit Instructions-Parts   |
| 406690 | Caster Kit Instructions-Parts  |
| 406691 | Hose Rack Kit Instructions-Parts   |
| 313258 | Electric Heated Hose Power Supply Kit<br>Instructions-Parts                |
| 313259 | Hopper or Hose Heat Circulation Kit<br>Instructions-Parts                  |
| 312770 | Lower Strainer and Valve Kit<br>Instructions-Parts                         |
| 312749 | XM Mix Manifold Kit<br>Instructions-Parts                                  |
| 313293 | Alternator Conversion Kits<br>Instructions-Parts                           |
| 313342 | Dosing Valve Repair Kit<br>Instructions-Parts                              |
| 313343 | High Flow Severe Duty Shutoff Check<br>Valve Repair Kit Instructions-Parts |





# Warnings

The following warnings are for the setup, use, grounding, maintenance, and repair of this equipment. The exclamation point symbol alerts you to a general warning and the hazard symbol refers to procedure-specific risk. Refer back to these warnings. Additional, product-specific warnings may be found throughout the body of this manual where applicable.





|  <b>WARNING</b> |  |
|--|--|
|                 | <p><b>FIRE AND EXPLOSION HAZARD</b></p> <p>Flammable fumes, such as solvent and paint fumes, in <b>work area</b> can ignite or explode. To help prevent fire and explosion:</p> <ul style="list-style-type: none"> <li>• Use equipment only in well ventilated area.</li> <li>• Eliminate all ignition sources; such as pilot lights, cigarettes, portable electric lamps, and plastic drop cloths (potential static arc).</li> <li>• Keep work area free of debris, including solvent, rags and gasoline.</li> <li>• Do not plug or unplug power cords, or turn power or light switches on or off when flammable fumes are present.</li> <li>• Ground all equipment in the work area. See <b>Grounding</b> instructions.</li> <li>• Use only grounded hoses.</li> <li>• Hold gun firmly to side of grounded pail when triggering into pail.</li> <li>• If there is static sparking or you feel a shock, <b>stop operation immediately</b>. Do not use equipment until you identify and correct the problem.</li> <li>• Keep a working fire extinguisher in the work area.</li> <li>• Do not connect USB device in explosive atmospheres.</li> </ul> |
|               | <p><b>SPECIAL CONDITIONS FOR SAFE USE</b></p> <ul style="list-style-type: none"> <li>• To prevent the risk of electrostatic sparking, the equipment's non-metallic parts must be cleaned with only a damp cloth.</li> <li>• Refer to the Viscon HP Heater manual for special conditions for safe use.</li> </ul>   |
|               | <p><b>ELECTRIC SHOCK HAZARD</b></p> <p>Improper grounding, setup, or usage of the system can cause electric shock.</p> <ul style="list-style-type: none"> <li>• Turn off and disconnect power at main switch before disconnecting any cables and before servicing equipment.</li> <li>• Connect only to grounded power source.</li> <li>• All electrical wiring must be done by a qualified electrician and comply with all local codes and regulations.</li> </ul>  |







# ! WARNING

|   |   |
|---|---|
|    | <p><b>INTRINSIC SAFETY</b></p> <p>Intrinsically safe equipment that is installed improperly or connected to non-intrinsically safe equipment will create a hazardous condition and can cause fire, explosion, or electric shock. Follow local regulations and the following safety requirements.</p> <ul style="list-style-type: none"> <li>• Only models with model number XM_D__ or XM_E__, and packaged models with part numbers ending in 00-13, 17-23, 27-29, 31, utilizing the air-driven alternator are approved for installation in a Hazardous (explosive atmosphere) Location - see <b>Approvals:</b>, page 8. Only the models stated above meet all local safety fire codes including NFPA 33, NEC 500 and 516, and OSHA 1910.107. To help prevent fire and explosion: <ul style="list-style-type: none"> <li>• Do not install equipment approved only for a non-hazardous location in a hazardous location. See model ID label for intrinsic safety rating of your model.</li> <li>• Do not substitute system components as this may impair intrinsic safety.</li> </ul> </li> <li>• Equipment that comes in contact with the intrinsically safe terminals must be rated for Intrinsic Safety. This includes DC voltage meters, ohmmeters, cables, and connections. Remove the unit from the hazardous area when troubleshooting.</li> <li>• Do not connect, download, or remove USB device unless unit is removed from the hazardous (explosive atmosphere) location.</li> <li>• If explosion-proof heaters are used, ensure wiring, wiring connections, switches, and electrical distribution panel all meet flame-proof (explosion-proof) requirements.</li> </ul> |
|   | <p><b>SKIN INJECTION HAZARD</b></p> <p>High-pressure fluid from gun, hose leaks, or ruptured components will pierce skin. This may look like just a cut, but it is a serious injury that can result in amputation. <b>Get immediate surgical treatment.</b></p> <ul style="list-style-type: none"> <li>• Do not point gun at anyone or at any part of the body.</li> <li>• Do not put your hand over the spray tip.</li> <li>• Do not stop or deflect leaks with your hand, body, glove, or rag.</li> <li>• Do not spray without tip guard and trigger guard installed.</li> <li>• Engage trigger lock when not spraying.</li> <li>• Follow <b>Pressure Relief Procedure</b> in this manual, when you stop spraying and before cleaning, checking, or servicing equipment.</li> </ul>   |
|  | <p><b>PRESSURIZED EQUIPMENT HAZARD</b></p> <p>Fluid from the gun/dispense valve, leaks, or ruptured components can splash in the eyes or on skin and cause serious injury.</p> <ul style="list-style-type: none"> <li>• Follow <b>Pressure Relief Procedure</b> in this manual, when you stop spraying and before cleaning, checking, or servicing equipment.</li> <li>• Tighten all fluid connections before operating the equipment.</li> <li>• Check hoses, tubes, and couplings daily. Replace worn or damaged parts immediately.</li> </ul>  |
|  | <p><b>MOVING PARTS HAZARD</b></p> <p>Moving parts can pinch or amputate fingers and other body parts.</p> <ul style="list-style-type: none"> <li>• Keep clear of moving parts.</li> <li>• Do not operate equipment with protective guards or covers removed.</li> <li>• Pressurized equipment can start without warning. Before checking, moving, or servicing equipment, follow the <b>Pressure Relief Procedure</b> in this manual. Disconnect power or air supply.</li> </ul>  |

# ! WARNING

|   |   |
|---|---|
|    | <p><b>EQUIPMENT MISUSE HAZARD</b></p> <p>Misuse can cause death or serious injury.</p> <ul style="list-style-type: none"> <li>• Do not operate the unit when fatigued or under the influence of drugs or alcohol.</li> <li>• Do not exceed the maximum working pressure or temperature rating of the lowest rated system component. See <b>Technical Data</b> in all equipment manuals.</li> <li>• Use fluids and solvents that are compatible with equipment wetted parts. See <b>Technical Data</b> in all equipment manuals. Read fluid and solvent manufacturer's warnings. For complete information about your material, request MSDS forms from distributor or retailer.</li> <li>• Check equipment daily. Repair or replace worn or damaged parts immediately with genuine manufacturer's replacement parts only.</li> <li>• Do not alter or modify equipment.</li> <li>• Use equipment only for its intended purpose. Call your distributor for information.</li> <li>• Route hoses and cables away from traffic areas, sharp edges, moving parts, and hot surfaces.</li> <li>• Do not kink or over bend hoses or use hoses to pull equipment.</li> <li>• Keep children and animals away from work area.</li> <li>• Comply with all applicable safety regulations.</li> </ul> |
|    | <p><b>TOXIC FLUID OR FUMES HAZARD</b></p> <p>Toxic fluids or fumes can cause serious injury or death if splashed in the eyes or on skin, inhaled, or swallowed.</p> <ul style="list-style-type: none"> <li>• Read MSDS's to know the specific hazards of the fluids you are using.</li> <li>• Store hazardous fluid in approved containers, and dispose of it according to applicable guidelines.</li> <li>• Always wear impervious gloves when spraying or cleaning equipment.</li> </ul>  |
|  | <p><b>BURN HAZARD</b></p> <p>Equipment surfaces and fluid that's heated can become very hot during operation. To avoid severe burns, do not touch hot fluid or equipment. Wait until equipment/fluid has cooled completely.</p>   |
|  | <p><b>PERSONAL PROTECTIVE EQUIPMENT</b></p> <p>You must wear appropriate protective equipment when operating, servicing, or when in the operating area of the equipment to help protect you from serious injury, including eye injury, inhalation of toxic fumes, burns, and hearing loss. This equipment includes but is not limited to:</p> <ul style="list-style-type: none"> <li>• Protective eyewear</li> <li>• Clothing and respirator as recommended by the fluid and solvent manufacturer</li> <li>• Gloves</li> <li>• Hearing protection</li> </ul>  |

# Models

|  |   |   |   |  |  |  |
|--|---|---|---|--|--|--|
|   |  |  |  |  |  |  |
| <p>XM sprayers are not approved for use in hazardous locations unless the base model, all accessories, all kits, and all wiring meet local, state, and national codes.</p> |   |   |   |  |  |  |

Check the identification plate (ID) for the 6-digit part number of the sprayer. Use the following matrix to define the construction of the sprayer, based on the six digits. For example, Part **XM1A00** represents an XM Plural-Component sprayer (**XM**); 5200 psi pump set with pump filters (**1**); wall power supply, no heaters, no junction box, and is not approved for hazardous areas (**A**); with no additional kits (**00**).

## NOTE:

Some configurations in the following matrix cannot be built. Consult with distributor or Graco representative.

To order replacement parts, see **Parts** section the XM Plural-Component Sprayer Repair-Parts manual 313289. The digits in the matrix do not correspond to the Ref. Nos. in the Parts drawings and lists.

| XM  | 1   |              |                 | A            |                   |                |                   |   | 00                         |
|---|---|--------------|-----------------|--------------|-------------------|----------------|-------------------|---|----------------------------|
| First and Second Digits                             | Third Digit                                     |              |                 | Fourth Digit |                   |                |                   |   | Fifth and Sixth Digits     |
|   | System Choice<br>(See Table 1 for lower models) |              |                 | Kit Choice   |                   |                |                   |   | Additional Kit             |
|   | Pump Set<br>(hose/gun)                          | Pump Filters | Remote Manifold | Control Box  | Fluid Heaters     | Junction Box   | Location Category | Approvals<br>(see page 8 for approvals) | See Table 2 for selections |
| XM<br>(plural component sprayer mounted on a frame) | 1   | 5200 psi     | ✓               | A            | Wall Power Supply |                | NE                | CE, FM, FMc                             |                            |
|   | 2   | 5200 psi     |                 | B            | Wall Power Supply | ✓              | ✓                 | CE, FM, FMc                             |                            |
|   | 3   | 6300 psi     | ✓               | C            | Wall Power Supply | ✓              |                   | CE, FM, FMc                             |                            |
|   | 4   | 6300 psi     |                 | D            | IS/ Alternator    |                |                   | EH                                      | CE, FM, FMc, Ex            |
|   | 5   | 5200 psi     | ✓               | ✓            | E                 | IS/ Alternator | ✓                 |   | CE, FM, FMc, Ex            |
|   | 6   | 5200 psi     |                 | ✓            |                   |                |                   |   |                            |
|   | 7   | 6300 psi     | ✓               | ✓            |                   |                |                   |   |                            |
|   | 8   | 6300 psi     |                 | ✓            |                   |                |                   |   |                            |




## Location Category Key:

**NE** Not for use in explosive atmospheres.

**EH** For use in explosive atmospheres and hazardous locations.

**Approvals:**

See appropriate column on page 7.

|   |   |
|---|---|
| XM _ A _<br>XM _ B _<br>XM _ C _  | XM _ D _<br>XM _ E _  |
|    |  <p><b>Intrinsically safe for Class I, Div 1, Group D, T2</b><br/> <b>Class I, Division 1, Group D, T2</b><br/>                 Ta = 0°C to 54°C</p> |
|  <p><b>FM09ATEX0015X</b><br/> <b>II 2 G</b><br/>                 Ex d ia px IIA T2 Tamb = 0°C to 54°C</p> |   |
| See Special Conditions for Safe Use in <b>Warnings</b> , page 4.  |   |

**Table 1: Lower Models and Corresponding Identification Codes**

| Code   | System Pressure (MPa, bar) | Pump Filters | A Lower (see manual 311762) | B Lower (see manual 311762) |
|--------|----------------------------|--------------|-----------------------------|-----------------------------|
| 1 or 5 | 5200 psi (35, 350)         | ✓            | L250C4                      | L220C4                      |
| 2 or 6 | 5200 psi (35, 350)         |              | L250C3                      | L220C3                      |
| 3 or 7 | 6300 psi (49, 490)         | ✓            | L180C4                      | L145C4                      |
| 4 or 8 | 6300 psi (49, 490)         |              | L180C3                      | L145C3                      |

**Table 2: Additional Kits - Identification Code/Part No. Index**

|    | 20 Gal. Hopper Kit | Hopper Heater Kit 240V | Hopper Fluid Inlet Kit | Hopper Universal Mount Kit | Twistork Agitator Kit | T2 Pump Feed Kit (on hopper) | 5:1 Pump Feed Kit (on hopper) | 7 Gal. Hopper (Green) and Bracket Kit | 7 Gal. Hopper (Blue) and Bracket Kit | Drum Feed Kit (Dual T2 and Agitator) | Drum Feed Kit (Dual 5:1 and Agitator) | Heated Hopper/ Hose Circulation Kit |
|----|--------------------|------------------------|------------------------|----------------------------|-----------------------|------------------------------|-------------------------------|---------------------------------------|--------------------------------------|--------------------------------------|---------------------------------------|-------------------------------------|
| 00 |                    |                        |                        |                            |                       |                              |                               |                                       |                                      |                                      |                                       |                                     |
| 11 | 1                  |                        | 1                      | 1                          | 1                     |                              |                               | 1                                     |                                      |                                      |                                       |                                     |
| 13 | 1                  |                        |                        | 1                          | 1                     |                              | 1                             | 1                                     |                                      |                                      |                                       |                                     |
| 14 | 1                  | 1                      | 1                      | 1                          | 1                     |                              |                               | 1                                     |                                      |                                      |                                       |                                     |
| 15 | 1                  | 1                      |                        | 1                          | 1                     | 1                            |                               | 1                                     |                                      |                                      |                                       |                                     |
| 16 | 1                  | 1                      |                        | 1                          | 1                     |                              | 1                             | 1                                     |                                      |                                      |                                       |                                     |
| 17 | 1                  |                        | 1                      | 1                          | 1                     |                              |                               | 1                                     |                                      |                                      |                                       | 1                                   |
| 19 | 1                  |                        |                        | 1                          | 1                     |                              | 1                             | 1                                     |                                      |                                      |                                       | 1                                   |
| 21 | 2                  |                        | 2                      | 2                          | 2                     |                              |                               |                                       |                                      |                                      |                                       |                                     |
| 23 | 2                  |                        |                        | 2                          | 2                     |                              | 2                             |                                       |                                      |                                      |                                       |                                     |
| 24 | 2                  | 2                      | 2                      | 2                          | 2                     |                              |                               |                                       |                                      |                                      |                                       |                                     |
| 25 | 2                  | 2                      |                        | 2                          | 2                     | 2                            |                               |                                       |                                      |                                      |                                       |                                     |
| 26 | 2                  | 2                      |                        | 2                          | 2                     |                              | 2                             |                                       |                                      |                                      |                                       |                                     |
| 27 | 2                  |                        | 2                      | 2                          | 2                     |                              |                               |                                       |                                      |                                      |                                       | 1                                   |
| 29 | 2                  |                        |                        | 2                          | 2                     |                              | 2                             |                                       |                                      |                                      |                                       | 1                                   |
| 30 |                    |                        |                        |                            |                       |                              |                               |                                       |                                      | 2                                    |                                       |                                     |
| 31 |                    |                        |                        |                            |                       |                              |                               |                                       |                                      |                                      | 2                                     |                                     |
| 32 |                    |                        |                        |                            |                       |                              |                               | 1                                     | 1                                    |                                      |                                       |                                     |

**NOTE:**

See **Accessories and Kits**, page 52, for more information.





See **Related Manuals**, page 3, for kit manual numbers.

# Overview






## Usage

XM plural-component sprayers can mix and spray most two-component epoxy and urethane protective coatings. When using quick-setting materials (less than 10 minute pot life) a remote mix manifold must be used.






XM plural-component sprayers are operated via the user interface, air controls, and fluid controls.

|  |   |   |   |  |  |  |
|--|---|---|---|--|--|--|
|   |  |  |  |  |  |  |
| <p>XM sprayers are not approved for use in hazardous locations unless the base model, all accessories, all kits, and all wiring meet local, state, and national codes. See <b>Models</b>, page 7, to determine the appropriate location for your particular sprayer model.</p> |   |   |   |  |  |  |

## Isocyanate Hazard

|  |   |   |   |   |  |  |
|--|---|---|---|---|--|--|
|   |  |  |  |  |  |  |
| <p>Spraying materials containing isocyanates creates potentially harmful mists, vapors, and atomized particulates.</p> <p>Read material manufacturer's warnings and material MSDS to know specific hazards and precautions related to isocyanates.</p> <p>Prevent inhalation of isocyanate mists, vapors, and atomized particulates by providing sufficient ventilation in the work area. If sufficient ventilation is not available, a supplied-air respirator is required for everyone in the work area.</p> <p>To prevent contact with isocyanates, appropriate personal protective equipment, including chemically impermeable gloves, boots, aprons, and goggles, is also required for everyone in the work area.</p> |   |   |   |   |  |  |

## Material Self-Ignition

|   |  |   |   |   |  |  |
|---|--|---|---|---|--|--|
|    |  |  |  |  |  |  |
| <p>Some materials may become self-igniting if applied too thick. Read material manufacturer's warnings and material MSDS.</p> |  |   |   |   |  |  |

## Moisture Sensitivity of Isocyanates

Isocyanates (ISO) are catalysts used in two component urethane coatings. ISO will react with moisture (such as humidity) to form small, hard, abrasive crystals, which become suspended in the fluid. Eventually a film will form on the surface and the ISO will begin to gel, increasing in viscosity. If used, this partially cured ISO will reduce performance and the life of all wetted parts.

### NOTE:

The amount of film formation and rate of crystallization varies depending on the blend of ISO, the humidity, and the temperature.

To prevent exposing ISO to moisture:

- Always use a sealed container with a desiccant dryer in the vent, or a nitrogen atmosphere. **Never** store ISO in an open container.
- Use moisture-proof hoses specifically designed for ISO, such as those supplied with your system.
- Never use reclaimed solvents, which may contain moisture. Always keep solvent containers closed when not in use.
- Never use solvent on one side if it has been contaminated from the other side.
- Always park pumps when you shutdown.
- Always lubricate threaded parts with Part 217374 ISO pump oil or grease when reassembling.

## Components A and B

### IMPORTANT!

Material suppliers can vary in how they refer to plural component materials.

Be aware that in this manual:

*Component A* refers to resin or major volume.

*Component B* refers to the hardener or minor volume.

### NOTE:

This equipment doses the B component into the A component flow. An integration hose must always be used after the mix manifold and before the static mixer.

### NOTE:

Follow these recommendations for setup:

- use at least a 3/8 in. (10 mm) x 25 ft. (7 m) hose as the integration hose.
- install a 24-element static mix tube after the integration hose.

## Keep Components A and B Separate

### NOTICE

To prevent cross-contamination of the equipment's wetted parts, **never** interchange component A (resin) and component B (hardener) parts.

## Changing Materials

- When changing materials, flush the equipment multiple times to ensure it is thoroughly clean.
- Always clean the fluid inlet strainers and outlet filter after flushing, **Flush Mixed Material**, page 36.
- Check with your material manufacturer for chemical compatibility.
- Epoxies often have amines on the B (hardener) side. Polyureas often have amines on the A (resin) side.

### NOTE:

If the amine will switch between the two sides, see **Flush Mixed Material**, page 36.

## Location

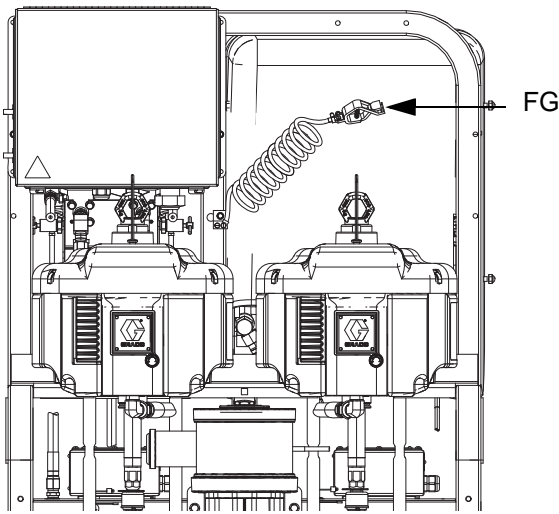
|  |  |  |  |  |  |  |
|--|--|--|--|--|--|--|
|  |  |  |  |  |  |  |
|--|--|--|--|--|--|--|

XM sprayers are not approved for use in hazardous locations unless the base model, all accessories, all kits, and all wiring meet local, state, and national codes. See **Models**, page 7, to determine the appropriate location for your particular sprayer model.

## Grounding

|  |  |  |  |  |  |  |
|--|--|--|--|--|--|--|
|  |  |  |  |  |  |  |
|--|--|--|--|--|--|--|

Connect the XM sprayer ground wire clamp (FG) to a true earth ground. If wall power is used to power controls or heaters, ground electrical connection properly according to local codes.



ti21273a

## Proper Lifting of Sprayer

|  |  |  |  |  |  |  |
|--|--|--|--|--|--|--|
|  |  |  |  |  |  |  |
|--|--|--|--|--|--|--|

Follow instructions to avoid serious injury or damage to equipment. Never lift with the hopper(s) filled.

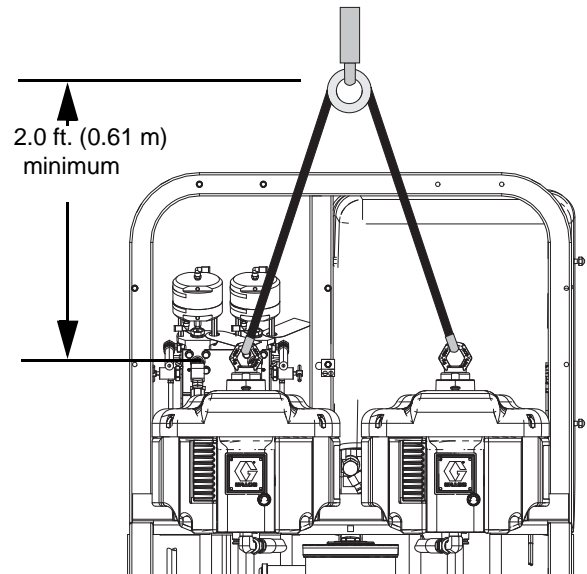
|   |
|---|
| <b>NOTICE</b>                             |
| Drain all fluid prior to lifting sprayer. |

### Lift Using a Forklift

Power must be off. Sprayer can be raised and moved using a forklift. Carefully lift the sprayer; make sure it balances evenly.

### Lift Using a Hoist

Sprayer can also be lifted and moved using a hoist. Connect a bridle swing, hooking an end to each of the air motor lift rings. Hook the center ring to a hoist. See the following figure. Carefully lift the sprayer; make sure it balances evenly.



ti21274a

# Initial System Setup

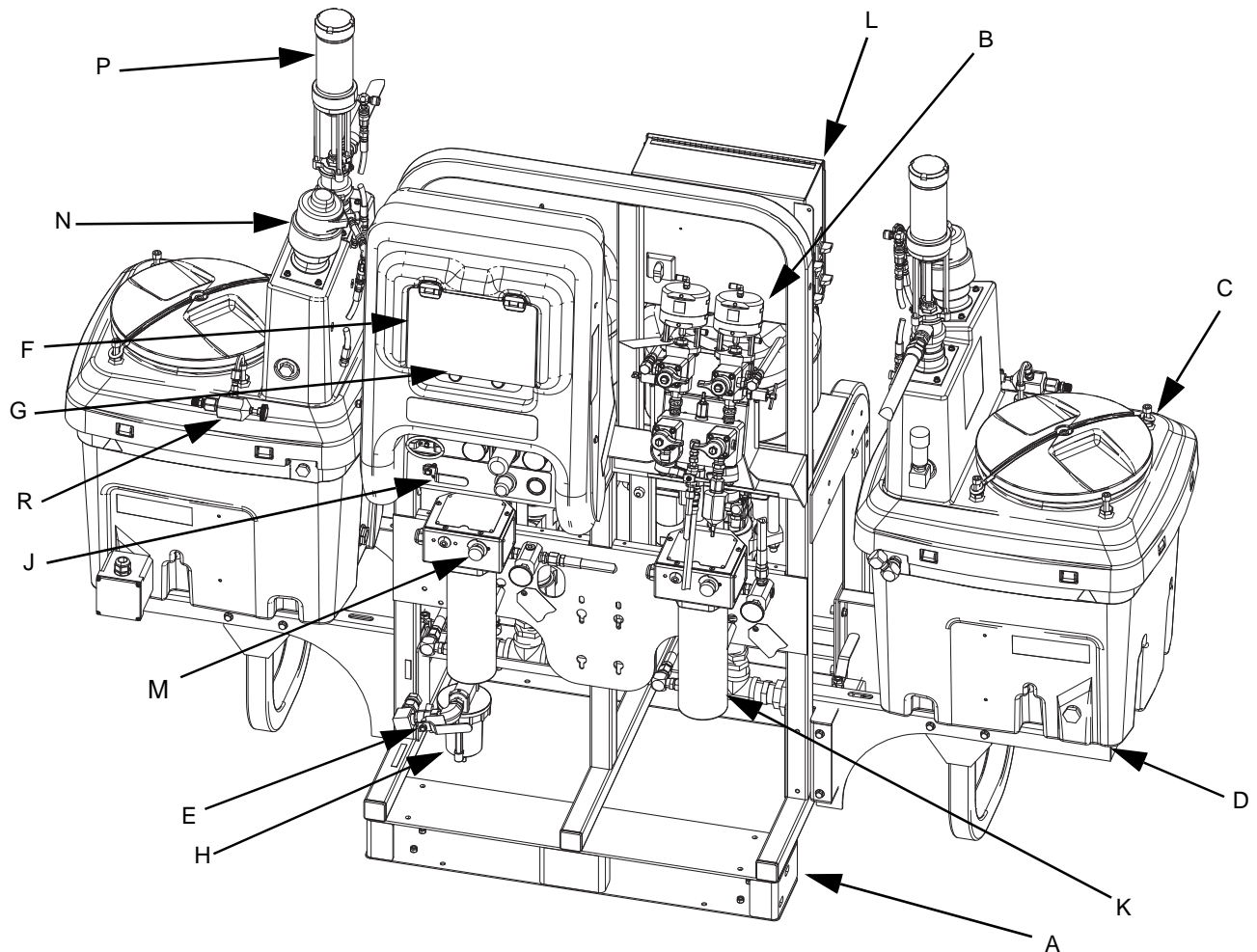
Complete the following steps in the order they are listed, as they apply to your specific system, for initial system setup.

1. Check your shipment for accuracy. Ensure you have received everything you ordered. See **Component Identification**, page 13, to familiarize yourself with typical system components.
2. Mount caster kit, if ordered. See manual 406690 for instructions.
3. Mount hopper brackets, if ordered. See manual 312747 for instructions.
4. Loosely mount hoppers, if ordered, on brackets. See manual 312747 for instructions.
5. Connect bottom hopper outlet if using a gravity feed pump. See manual 312747 for instructions.
6. Tighten hopper mounting bolts. See manual 312747 for instructions.
7. Mount and connect agitator(s) and feed pump(s), if ordered. See manual 312769 for instructions.
8. Mount and connect hopper immersion heater kit, if ordered. See manual 312747 for instructions.
9. Connect recirculation hose, restrictor valve (including knob and nipple), and recirculation tube. Place in hopper or drum. See manual 312747 for instructions.
10. Replace USB label (front of control panel) with correct language version, if needed.
11. Replace Alarms Codes label (under fluid control valves) with correct language version, if needed.
12. Install hopper/hose heated circulation kit, if ordered. See manual 313259 for instructions.
13. For non-hazardous location sprayers, connect power cord (not supplied). See **Connect Power Cord**, page 19, for instructions.
14. For non-hazardous location sprayers, connect junction box wiring for immersion or recirculation heaters. See manual 312747 for immersion heater instructions. See manual 309524 for recirculation heater instructions.
15. For hazardous location sprayers, connect explosion-proof heaters. See **Wire Sprayers with Explosion-Proof Heaters**, page 21, and manual 309524 for instructions and recommendations.
16. Connect air supply line. See **Connect Air Supply**, page 21, for instructions and recommendations.
17. Connect fluid hose assembly, including whip hose and gun. See **Connect Fluid Hose Assembly**, page 22, for instructions. Also connect remote mix manifold, if ordered. See manual 312749 for instructions.



# Component Identification

## Typical Setup: 20 Gallon Hoppers with Recirculation (Front View)

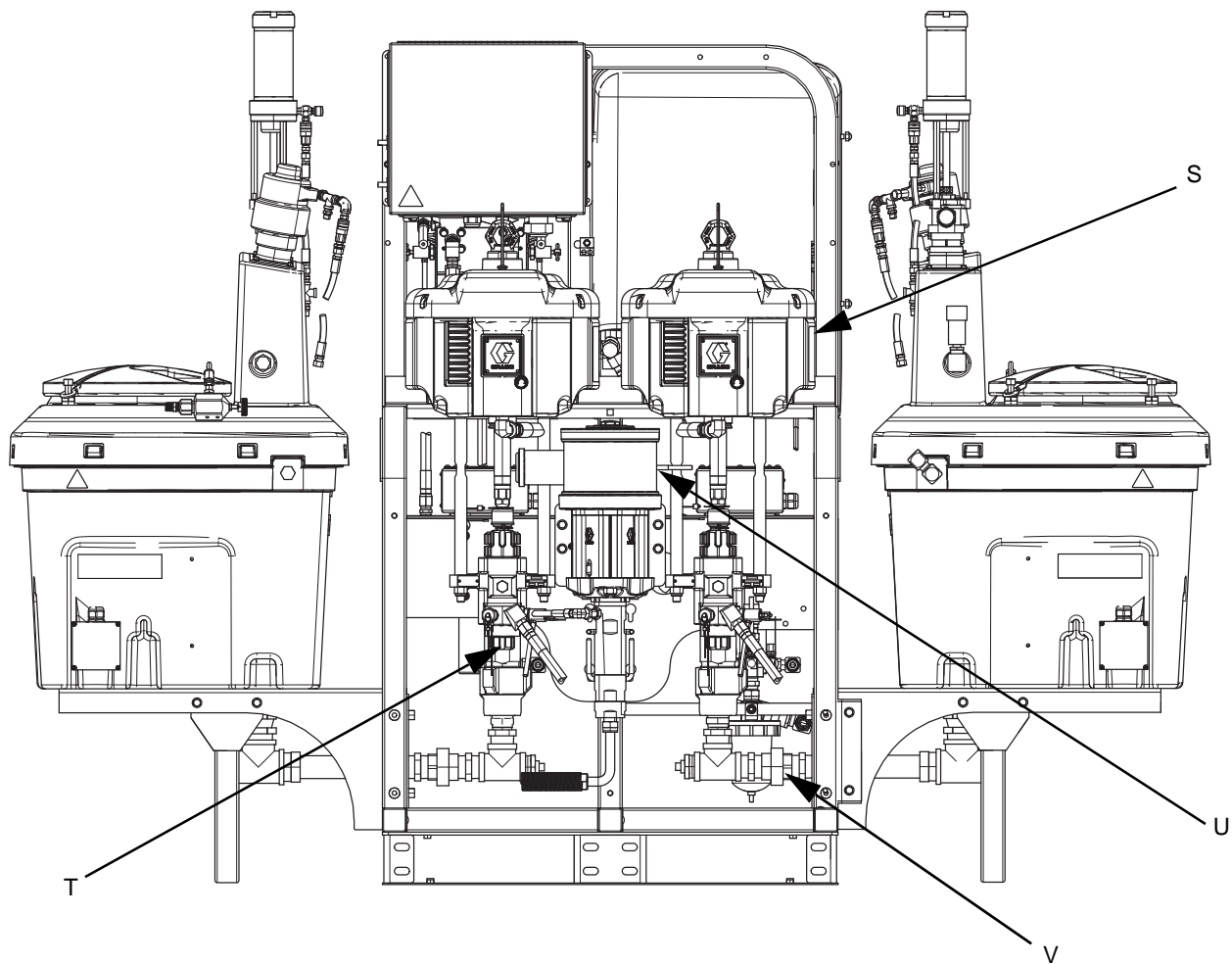


ti21272a

**FIG. 1: Typical Setup: 20 Gallon Hoppers with Recirculation (Front View)**

- |   |  |   |  |
|---|--|---|--|
| A | Frame  | G | Pump Control On and Off Buttons  |
| B | Fluid Control Assembly (see <b>Fluid Control Assembly</b> , page 15) | H | Air Filter   |
| C | 20 Gallon Hopper Assembly (see manual 312747)                        | J | Air Controls   |
| D | 20 Gallon Hopper Bracket (see manual 312747)                         | K | Viscon HP Fluid Heater   |
| E | Main Air Valve   | L | Junction Box/Heater Controls (see <b>Junction Box/Heater Controls</b> , page 16) |
| F | GCA Control Display (see <b>User Interface Display</b> , page 18)    | M | Inline Fluid Heater Control  |
|   |  | N | Air Powered Agitator   |
|   |  | P | Pressure Feed Pump   |
|   |  | R | Recirculation Control Valve  |

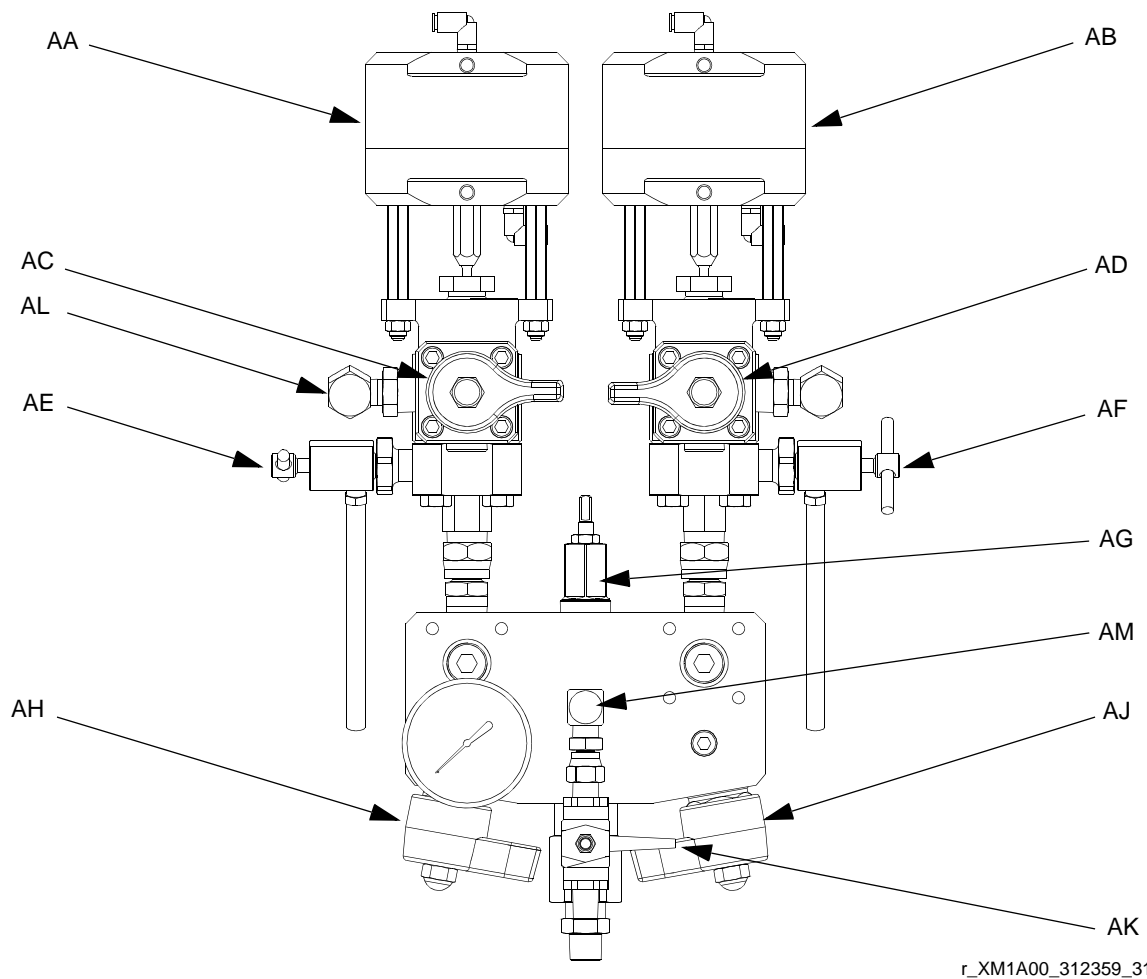
## Typical Setup: 20 Gallon Hoppers with Recirculation (Back View)



**FIG. 2: Typical Setup: 20 Gallon Hoppers with Recirculation (Back View)**

- S Air Motor
- T High Pressure Fluid Pump
- U Solvent Flush Pump (Mercur® Pump)
- V Fluid Inlet Assembly

## Fluid Control Assembly



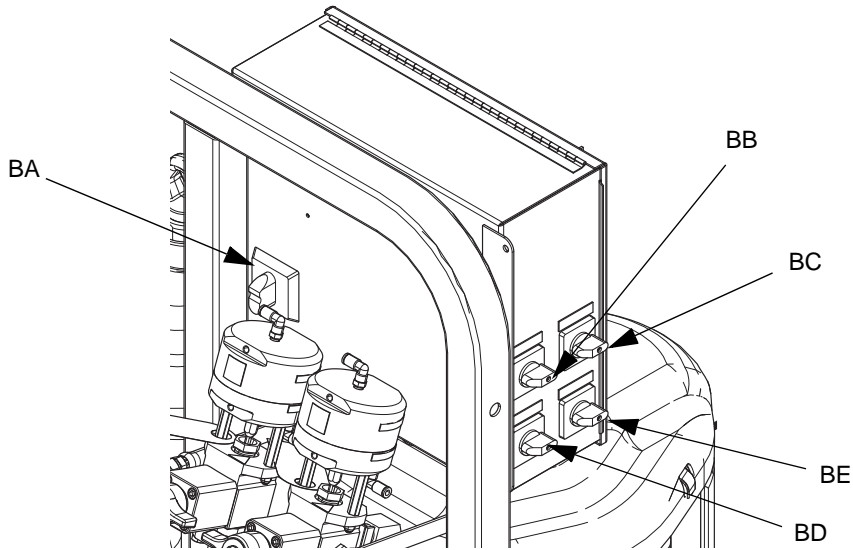
r\_XM1A00\_312359\_313289\_18A

**FIG. 3: Fluid Control Assembly**

AA Dosing Valve A  
 AB Dosing Valve B  
 AC Recirculation Valve A  
 AD Recirculation Valve B  
 AE Sampling Valve A

AF Sampling Valve B  
 AG Restriction Valve  
 AH Mix Manifold Shutoff / Check Valve A  
 AJ Mix Manifold Shutoff / Check Valve B  
 AK Solvent Shutoff Valve  
 AL Pressure Sensor  
 AM Solvent Check Valve

## Junction Box/Heater Controls

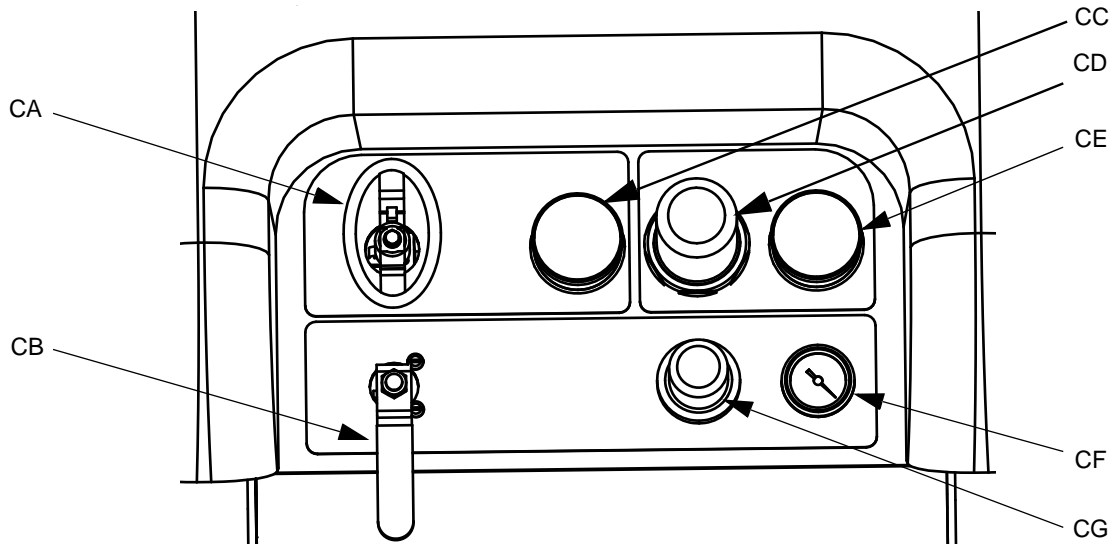


**FIG. 4: Junction Box/Heater Controls**

BA Main Power Disconnect Switch  
BB Fluid Heater A Control  
BC Fluid Heater B Control

BD Hopper Heater A Control  
BE Hopper Heater B Control

## Air Controls



r\_XM1A00\_312359\_313289\_14A

**FIG. 5: Air Controls**

CA Main Pump and Air On/Off Control  
CB Solvent Pump Air On/Off Control  
CC Inlet Air Pressure Gauge  
CD Main Pump Air Regulator

CE Main Pump Air Regulator Gauge  
CF Solvent Pump Air Gauge  
CG Solvent Pump Air Regulator

## User Interface

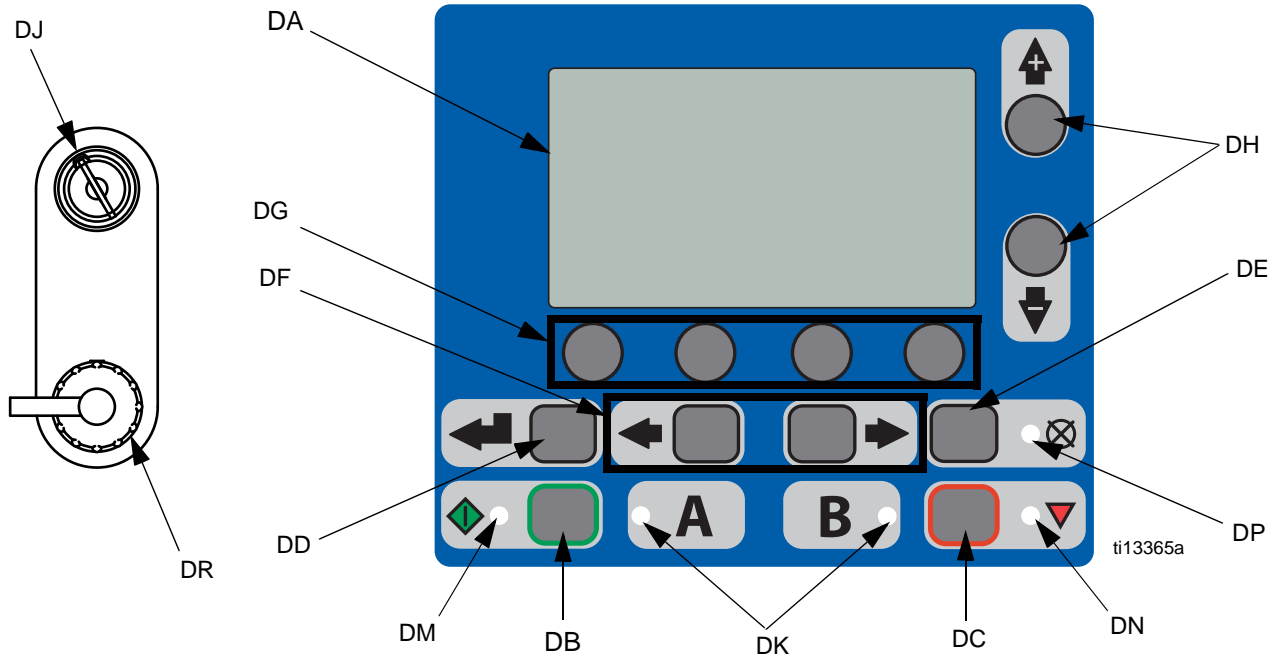


FIG. 6: User Interface

### Buttons

| Call out | Button         | Function  |
|----------|----------------|---|
| DA       | Display Screen | Use to view Ratio, Mode Selection, Error Conditions, Totalizers, System Information.        |
| DB       | Start          | Initiates Active Run Mode function currently selected in Run Screen.                        |
| DC       | Stop           | Terminates Active Run Mode function currently selected.                                     |
| DD       | Enter          | Press to open drop-down fields, selection options, and save values.                         |
| DE       | Alarm Reset    | Resets alarms and advisories.   |
| DF       | Left/Right     | Move between screens in run or setup modes.   |
| DG       | Function       | Activates mode or action represented by the icon above each of the four buttons in the LCD. |
| DH       | Up/Down        | Move between selection boxes, drop-down fields, and selectable values within Setup screens. |
| DJ       | Setup Key Lock | Change ratio or enter Setup mode.   |
| DR       | USB Port       | Connection for data download. Use only in non-hazardous locations.                          |

### LEDs

There are four types of LEDs on the display.



| Call out | LED    | Function  |
|----------|--------|---|
| DK       | Blue   | Dosing valve active <ul style="list-style-type: none"> <li>on - dosing valve is active</li> <li>off - dosing valve is not active</li> </ul>   |
| DM       | Green  | Spray mode active <ul style="list-style-type: none"> <li>spray mode is on (active)</li> <li>spray mode is off (inactive)</li> </ul>   |
| DN       | Red    | Alarm <ul style="list-style-type: none"> <li>on - alarm is present</li> <li>off - no alarm</li> </ul>   |
| DP       | Yellow | Warning <ul style="list-style-type: none"> <li>on - is active.</li> <li>off - no warning indicated. Ratio and setup fields are not changeable.</li> <li>flashing - key is present and turned. Ratio and setup fields are changeable.</li> </ul> |

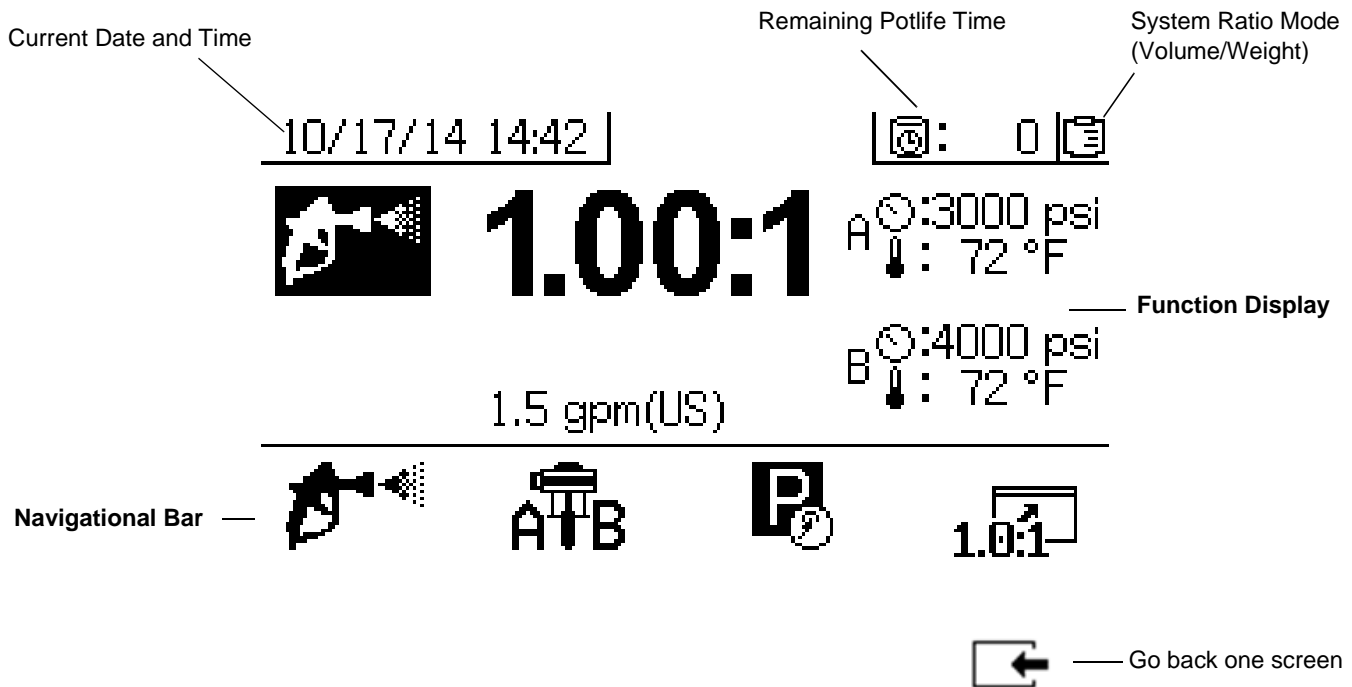
## User Interface Display

**NOTE:**

For details regarding the user interface display see **User Interface Display**, page 54.

### Main Display Screen Components

The system ratio mode shows if the mix ratio target is by volume  or weight . If the weight is crossed out, the system must be calibrated before running. See **Pump and Metering Test**, page 40.



**FIG. 7: Main Display Screen Components (shown with all display features enabled)**

**NOTICE**

To prevent damage to soft key buttons, do not press the buttons with sharp objects such as pens, plastic cards, or fingernails.

# Setup

## Connect Power Cord

(For sprayers with heater junction boxes.  
Non-hazardous location sprayers only.)



Graco does not supply heater junction box power cords. Use the following chart to determine which power cord your specific model requires.

### Power Cord Requirements

| Voltage    | Cord Specification AWG (mm <sup>2</sup> ) |
|------------|---|
| 240V, 1 PH | 4 (21.2) 2 wire + ground                  |
| 240V, 3 PH | 6 (13.3) 3 wire + ground                  |
| 380V, 3 PH | 6 (13.3) 4 wire + ground                  |

#### NOTE:

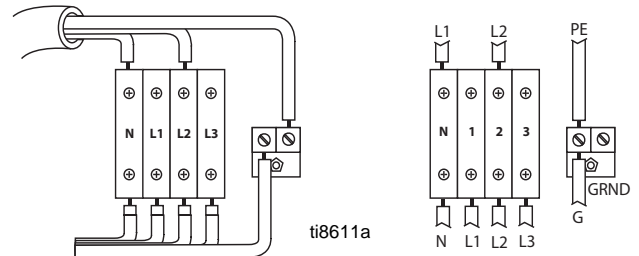
Sprayers without heaters for non-hazardous locations include a U.S. style NEMA 5-15 power cord and an IEC-320 power cord. (European and Australian adapters are also included.) These power cords are rated for 90-240 Vac, 47-63 Hz. See the XM Plural-Component Sprayers Repair-Parts manual or the XM Plural-Component OEM Sprayers Instructions-Parts manual for part numbers.

#### NOTE:

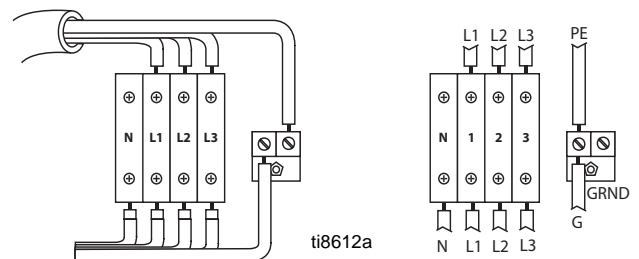
Disregard terminal numbers on disconnect switch blocks. Wire to positions shown.

1. Open junction box cover.
2. Connect electrical cord as follows.

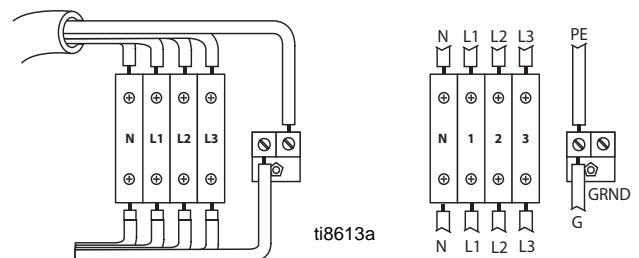
**230V, 1 Phase:** Use a screwdriver to connect two power leads to the top terminals N and L2 positions. Connect green to ground (GND).



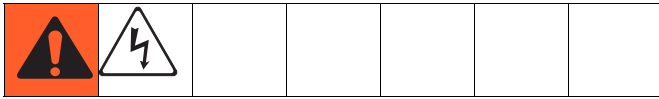
**230V, 3 Phase Delta:** Use a screwdriver to connect three power leads to top terminals L1, L2, and L3. Connect green to ground (GND).



**380V, 3 Phase WYE:** Use a screwdriver to connect three power leads to the top terminals L1, L2, and L3. Connect neutral to N. Connect green to ground (GND).



## Configure to Supply Power (Non-hazardous location sprayers only.)



**NOTE:**

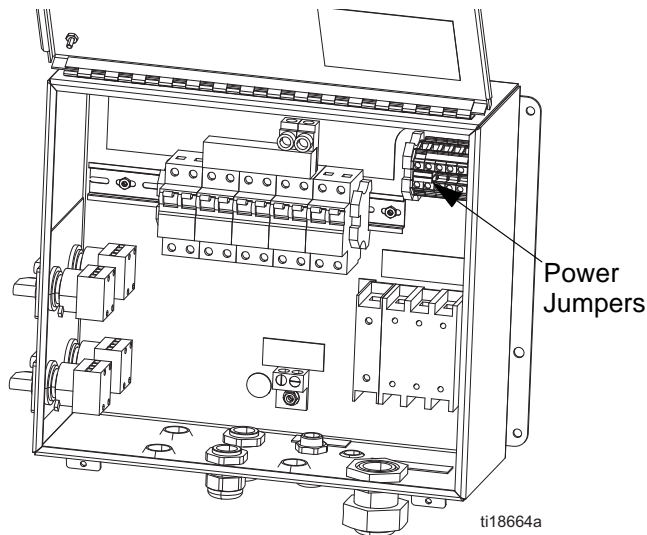
Disregard terminal numbers on disconnect switch blocks. Wire to positions shown.

2. Use a flat-blade screwdriver to move red jumpers from storage positions to positions for your power as shown below. Push jumpers firmly into new position.

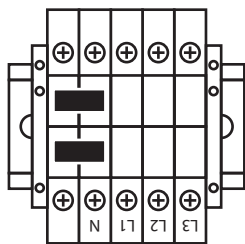
**NOTE:**

For 230V, 1 Phase and 230V, 3 Phase Installations, change jumper positions as shown below. Machine is shipped with jumpers in the fail-safe 380 3Ø position.

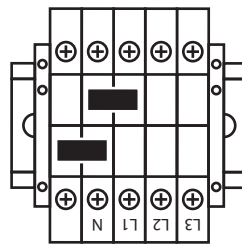
1. Locate power jumpers.



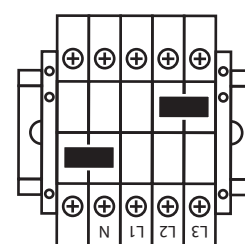
TB2  
Terminal Blocks  
Position red jumpers  
as shown



**380V 3Ø WYE**  
(as shipped)



**230V 3Ø Delta**






**230V 1Ø**



## Wire Sprayers with Explosion-Proof Heaters

(Hazardous location sprayers only)

|  |   |   |  |  |  |  |
|--|---|---|--|--|--|--|
|   |  |  |  |  |  |  |
| <p>If your sprayer is rated for hazardous areas, and you have explosion-proof heaters, you must have a qualified electrician connect heater wiring. Ensure wiring and installation comply with local electrical codes for hazardous areas.</p> |   |   |  |  |  |  |

Improperly installed or connected equipment will create a hazardous condition and cause fire, explosion, or electric shock. Follow local regulations.

When explosion-proof heaters are used, ensure wiring, wiring connections, switches, and electrical distribution panel all meet flame-proof (explosion-proof) requirements.

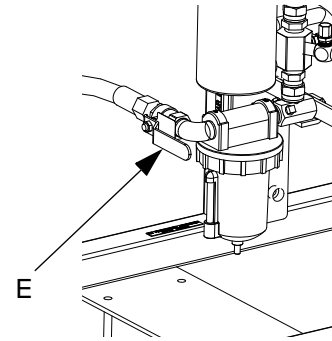
Refer to Viscon HP heater manual 309524 for electrical connection instructions and guidelines in hazardous locations.

## Connect Air Supply

Connect air supply line to 3/4 npt(f) air filter inlet.

**NOTE:**

Use a 3/4 in. (19.1 mm) ID minimum air hose.



**NOTE:**

*Air supply requirement:* 150 psi (1.0 MPa, 10.3 bar) maximum; 50 psi (0.35 MPa, 3.5 bar) minimum (while running).

*Flow volume required:* 70 scfm (1.96 m<sup>3</sup>/min) minimum; 250 scfm (7.0 m<sup>3</sup>/min) maximum. Available fluid pressure and flow rate are directly related to available air volume. See **Pump Performance Charts**, page 86.

*General flow volume guidelines:*

- 70 scfm (1.96 m<sup>3</sup>/min) per gpm (lpm) while spraying
- 10 scfm (0.28 m<sup>3</sup>/min) added per agitator
- 10 scfm (0.28 m<sup>3</sup>/min) added per drum feed pump

**NOTE:**

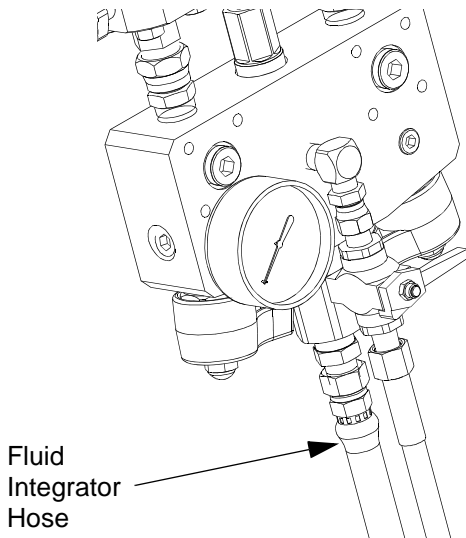
If your sprayer is for use in hazardous areas, the control box is powered by an air-driven alternator.

**NOTE:**

Dosing valves are operated by air. The sprayer will not operate correctly if the inlet air gauge drops below 50 psi (0.35 MPa, 3.5 bar) while spraying.

## Connect Fluid Hose Assembly

1. Connect fluid hose to fluid manifold outlet. Do not install gun spray tip yet.



r\_XM1A00\_312359\_313289\_20A

### NOTICE

Do not assemble static mixer directly to the fluid manifold. Install static mixer after first 25 ft. (7.5 m) of integrator hose to ensure material doses are completely integrated. Spraying poorly integrated material could require rework of parts sprayed.

2. Tighten all fittings.

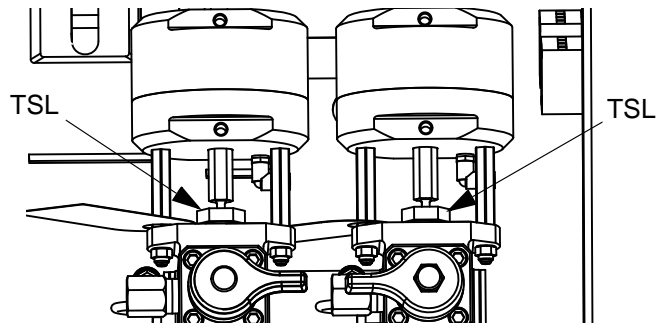
## Adjust Packing Nuts

1. Fill A and B pump packing nuts with throat seal liquid (TSL™) and torque to 50 ft-lbs (67.5 N•m). Follow instructions in Xtreme Lowers manual 311762.

### NOTE:

After the first day of use re-torque packing nuts.

2. Fill metering valves A and B packing nuts with throat seal liquid (TSL) and tighten 1/4 turn after nut contacts packings; about 145-155 in-lbs (16-18 N•m).



### NOTE:

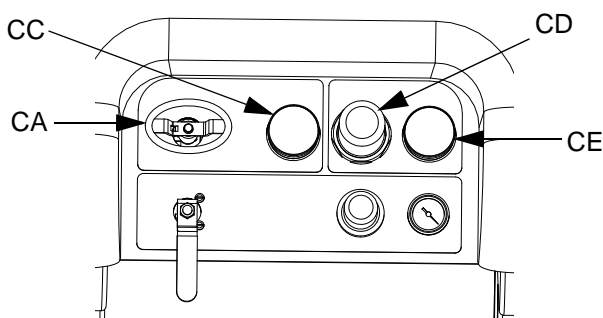
For pump and meter valves, check packing nut tightness after first hour of operation and again after 24 hours. Then check as needed, or when TSL discolors or seeps over packing nut. Also check tightness whenever sprayer is transported. Tighten packing nuts only when all fluid pressure is relieved.

# Basic Operation

## Power On (Alternator Power Supplied Systems)

1. Set main pump air regulator (CD) to minimum setting.
2. Open main air valve (E) and main pump and air valve (CA) to start air-powered alternator.



Main air pressure is displayed on gauge (CC). Fluid Control screen will display after five seconds.



## Power On (Wall Power Supplied Systems)

Turn on main power disconnect. Fluid Control screen will display after five seconds.

## Adjust Ratio and Setup

1. Turn key to right (setup position). Yellow LED will flash and the Home Setup screen will display.
2. Press  and  to change ratio.
3. When desired ratio is displayed, turn key to left. Yellow LED will turn off.
4. Change optional setup selections to desired parameters, as described in **Set System Settings (Optional)**, page 24.

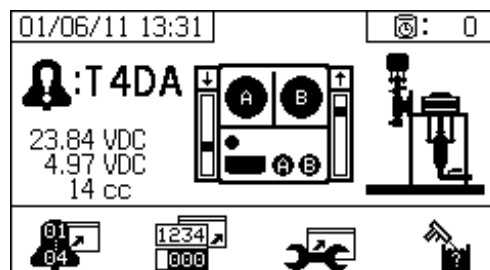
## Final Setup

Perform the following steps if shutting down during setup.

1. Relieve system pressure. See **Pressure Relief Procedure**, page 34.
2. Flush and prime system. See **Prime** (page 27), **Flush Mixed Material** (page 36) and **Park Fluid Pump Rods** (page 38).
3. Check ratio accuracy. Run **Pump and Metering Test** (page 40) and **Batch Dispense or Ratio Test** (page 43) to check ratio accuracy.

## View Alarms

When an alarm occurs the alarm information screen automatically displays. It shows the current alarm code along with a bell icon. It also shows the alarm location with top and side views of the sprayer.





There are two levels of error codes: alarms and advisories. A bell icon indicates an alarm. A solid bell icon with an exclamation point and three audible alerts indicate a alarm. And an outlined hollow bell icon and a single audible alert indicate an advisory.

### Diagnose Alarms

See **Alarm Codes and Troubleshooting**, page 75, for causes and solutions to each alarm code.

### Clear Alarms

Press  to clear alarms and advisories. Press  to return the run (fluid control) screen.


For more information on alarms and alarm codes, see **LED Diagnostic Information**, page 51.

## Set System Settings (Optional)


### NOTE:

For details regarding the user interface display screens see **User Interface Display**, page 54.

To set user interface parameters and USB parameters,


press  from the Home Setup screen.



### Set User Interface Parameters



Press  from the potlife/hose length screen to move to the user interface parameters screen.


The following user interface parameters are configurable:


- date format
- date (factory set)
- time (factory set)
- units of measurement for:
  - fluid flow rate
  - pressure
  - temperature
  - hose length
  - weight



To change the date format, press  to select the field.



Press  to open the drop down field. Press 


and  to select the preferred format. Press  again to save that date format. Follow this procedure to change the units of measurement formats as well.

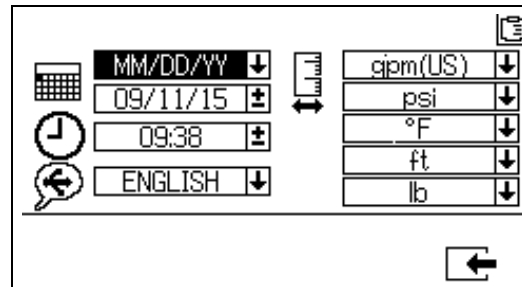
To change the date and time, press  to select the

field. Press  to make the field selectable. Press


 and  to scroll through each digit. Press

 and  to move to the next digit in the field.



Press  to save the change.



### Set USB Parameters

Press  from the user interface parameters screen to move to the USB parameters screen.

To set the sprayer number, configure the number of hours downloaded to external USB flash drive, and how

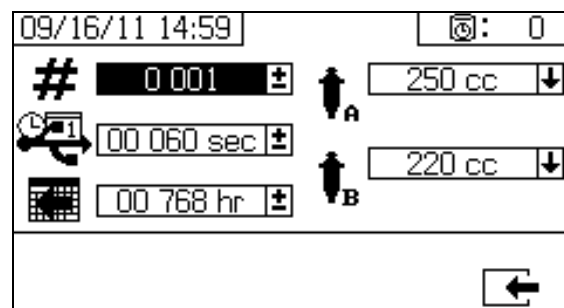
often the data will record: press  and  to move

through each field. Press  to make a field select-

able. Press  and  to scroll through each digit.

Press  and  to move to the next digit in

each field. Press  to save the change.



## Set Maintenance Parameters (Optional)


**NOTE:**

Prior to configuring system settings, see **Enable Setup Screens**, page 59, to ensure screens shown in this section are viewable and configurable. If they are not, follow instructions in **Enable Setup Screens** to enable them.

**NOTE:**








For details regarding the user interface display screens see **User Interface Display**, page 54.

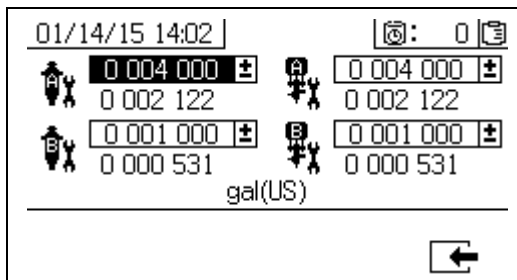
To set maintenance parameters for pumps and valves,

including maintenance schedules, press  from the Home Setup screen.

Use the first screen to set maintenance setpoint amounts for pumps and dosing valves. Use the second screen to set the maintenance schedule for changing the incoming air filter.

### Set Maintenance Setpoints

To set maintenance setpoint values, press  and  to move through each field, and press  to make a field selectable. Press  to scroll through each setpoint digit. Press  and  to scroll through the optional values. Continue this process until the desired setpoint is reached. Press  to save that setpoint.






### Set Maintenance Schedule

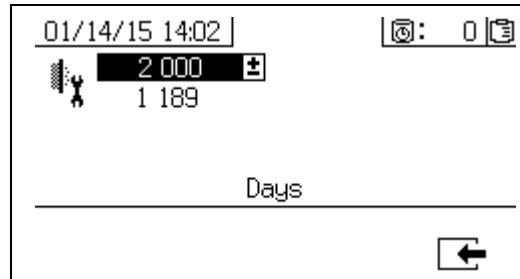
To set the number of days between changing the incoming air filter that will result in a reminder advisory, press

 to move to the Maintenance Setup 2 screen.

Press  to make the field selectable. Press 

to scroll through each digit, and press  and 

to scroll through the optional values. Press  to save the number of days value.





## Set Sprayer Limits (Optional)

**NOTE:**








For details regarding the limits setup screens, see **User Limits Setup Screens**, page 61.

To set and adjust pump pressure limits and temperature limits:

1. Select  in the Enable Setup 2 screen. See **Enable Setup Screens**, page 59, for instructions.
2. From the Home Setup screen press  to jump to the limits screens.
3. Follow the instructions in **Set Pressure Limits** and **Set Temperature Limits**.

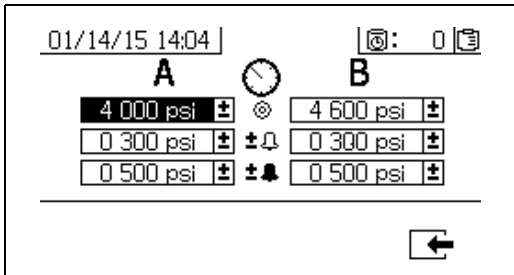
### Set Pressure Limits

Use the following instructions to set pressure limits for each pump that if met will issue an advisory and/or warning.

To set pressure limits, press  and  to move through each field, and press  to make a field selectable. Press  to scroll through each pressure digit, and press  and  to scroll through the optional values. Continue this process until you reach the desired pressure limit. Press  to save.


**NOTE:**








The B pump pressure always runs 10-20% higher than the A pump pressure.



### Set Temperature Limits

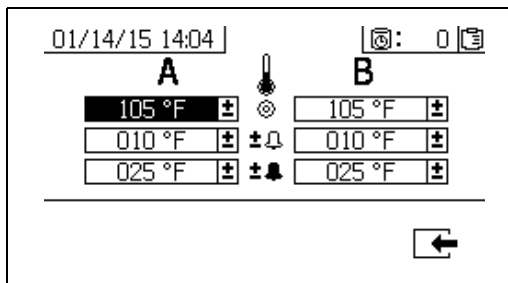
Use the following instructions to set temperature limits that if met will issue an advisory and/or warning.

Press  to move to the temperature limits screen.

To set temperature limits, press  and  to move through each field, and press  to make a field selectable. Press  to scroll through each temperature digit, and press  and  to scroll through the optional values. Continue this process until you reach your desired temperature limit. Press  to save the value.

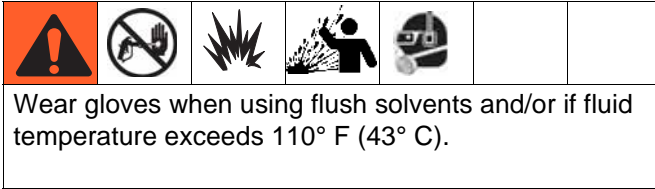
**NOTE:**

The allowable range for the temperature setpoint is 34° - 160°F (1° - 71°C).



# Prime

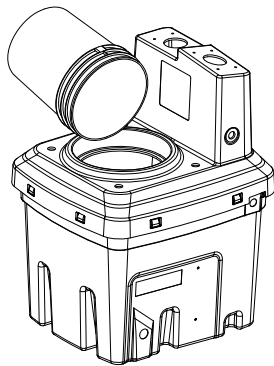
## Prime A and B Fluids



### NOTE:

Do not install gun spray tip yet. To avoid splashing, use the lowest pressure possible to prime.

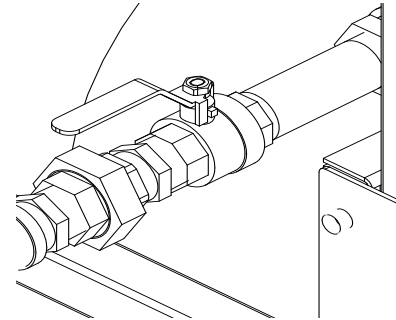
1. Condition materials prior to adding to hoppers. Ensure resin materials are thoroughly agitated, homogenous, and pourable prior to adding to hopper. Stir hardeners back into suspension prior to adding material to hopper.
2. Fill A and B reservoirs with proper materials. Fill A side with major volume of material; fill B side with minor volume of material.



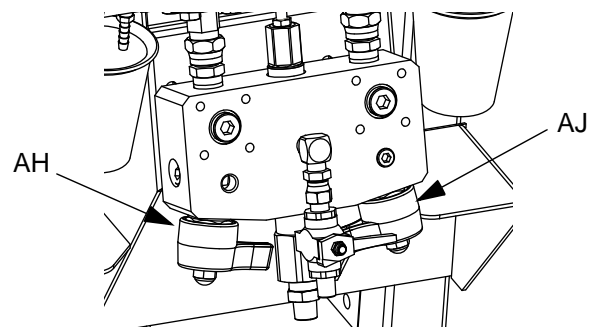
20 Gallon Hopper Shown

3. Move recirculation lines to empty containers.

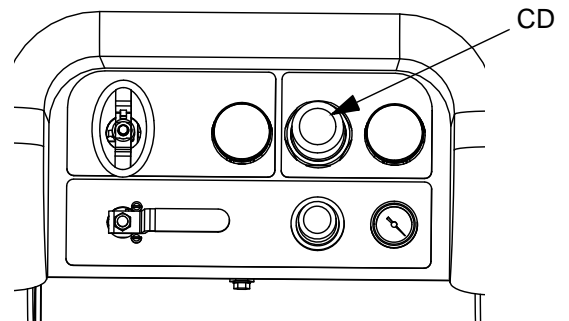
4. Open ball valves into pumps.



5. Turn mix manifold valves (AH, AJ) clockwise to close them.







6. Turn on air supply. Set main pump air regulator (CD) to 20 psi (138 kPa 1.38 bar).





Prime



7. Use manual pump run mode.

**NOTE:**

When run independently set to  or . Press  and  as needed to prime. Monitor containers to avoid overflow.

8. Select Pump A . Press . Slowly turn main pump air regulator (CD) clockwise to increase air pressure until pump A starts. Dispense into pail until clean fluid comes out of A. Close recirculation valve.

**NOTE:**

When priming or flushing pumps, it is normal to get cavitation or pump runaway alarms. Clear alarms , and press  again as necessary. These alarms prevent excessive pump speeds, which will damage pump packings.

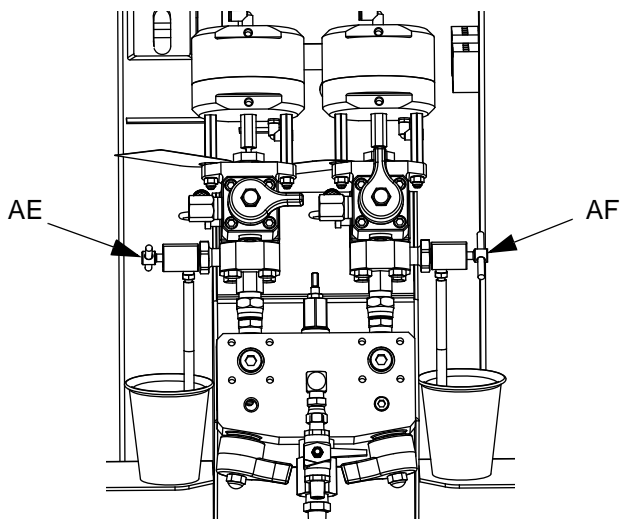
9. Move recirculation line back to reservoir.

10. Repeat for B side.

11. Dispense a small amount of each material through both sampling valves (AE, AF).

**NOTE:**

Open sampling valves slowly to avoid splashing.



12. Close both sampling valves (AE, AF).

**NOTE:**

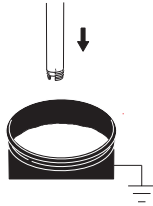
If a remote mix manifold is used, disconnect hoses at mix manifold and prime with material. Reconnect hoses.



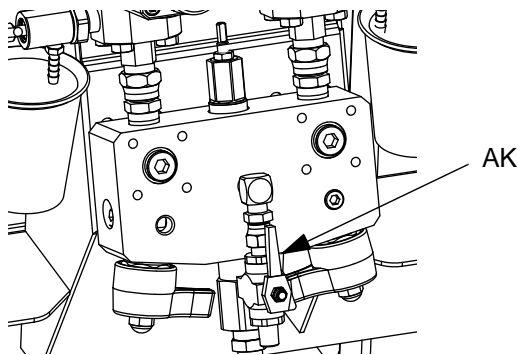
# Prime Solvent Flush Pump



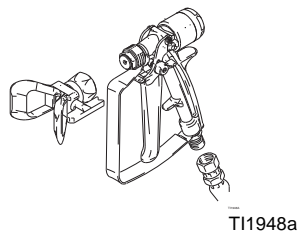
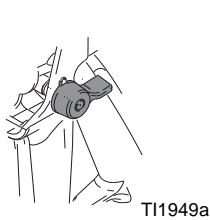
1. Connect flush pail ground wire to a metal pail of solvent.
2. Place siphon tube in the pail of solvent.



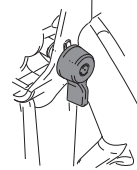
3. Open solvent flush valve (AK) on mix manifold.



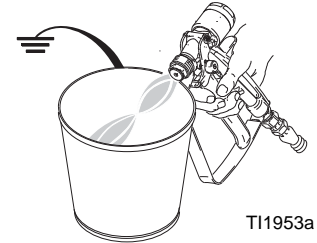
4. Ensure trigger lock is engaged. Remove spray tip.



5. Disengage trigger lock and trigger gun into a grounded pail. Use a pail lid with a hole to dispense through. Seal around hole and gun with a rag to prevent splash back. Be careful to keep fingers away from front of gun.

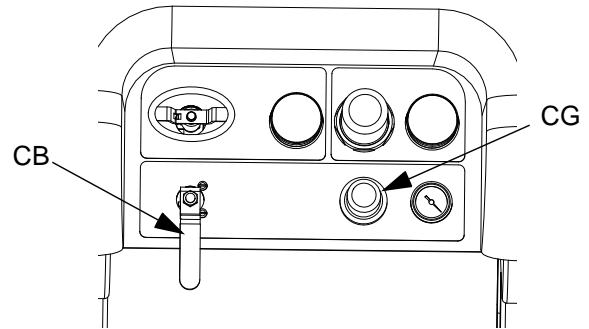


T11950a

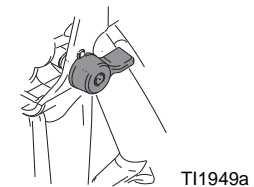


T11953a

6. Open solvent pump air valve (CB). Pull out and slowly turn solvent pump air regulator (CG) clockwise to prime solvent pump and push air out of mix hose and gun. Trigger gun until all air is purged.



7. Close solvent pump air valve (CB) and trigger gun to relieve pressure. Engage gun trigger lock.



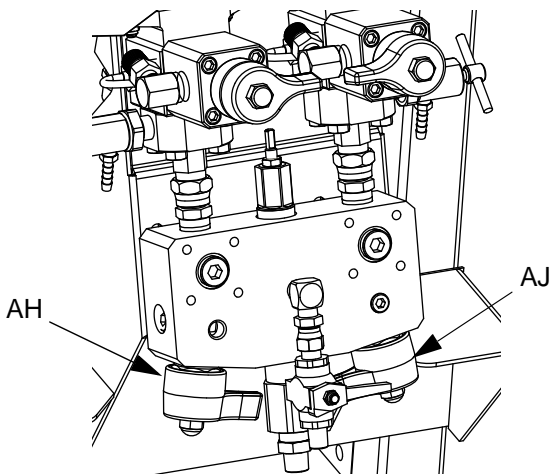
T11949a

# Recirculate

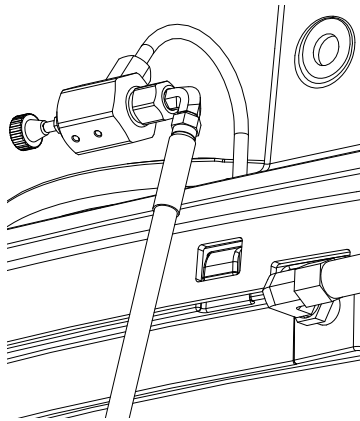
## Without Heat

If using a system that does not require heat, recirculation is still required prior to spraying. Recirculation ensures that any settled fillers are mixed in, the pump lines are fully primed, and the pump check valves are operating smoothly.

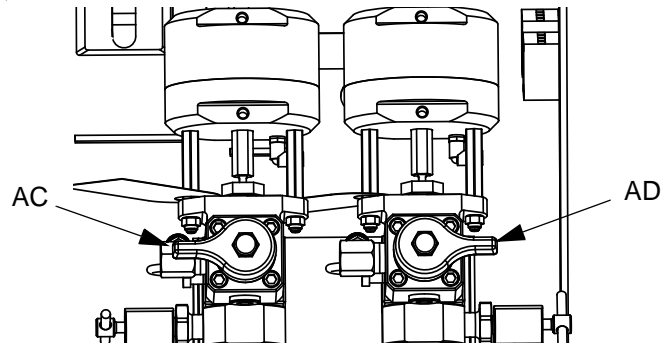
1. Follow **Prime**, page 27.
2. Close mix manifold valves (AH, AJ).



3. Ensure recirculation hoses are in the correct hoppers.



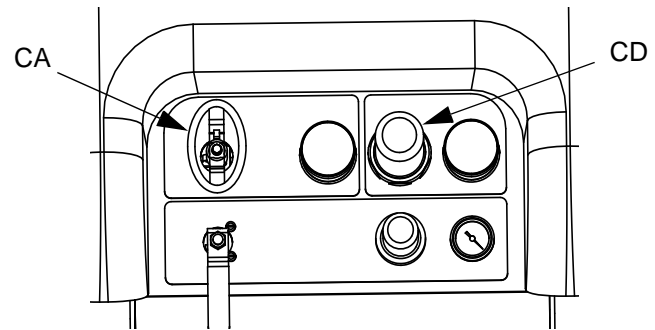
4. Open recirculation valves (AC, AD).



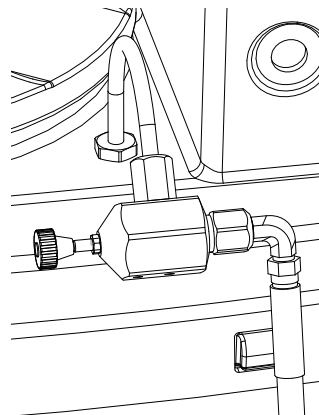
5. Select pumps to recirculate by pressing **ATB** to

scroll through: **TA** , **TB** , or **ATB** .


6. Turn on the main air shutoff valve (CA). Use system air regulator (CD) to slowly increase the air pressure to the pumps until they start running slowly.



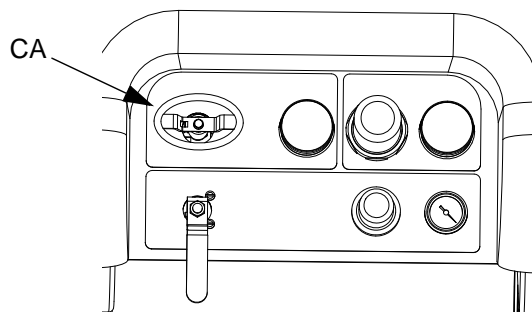
7. If the pumps are running too quickly, close the restrictor on each fluid line.



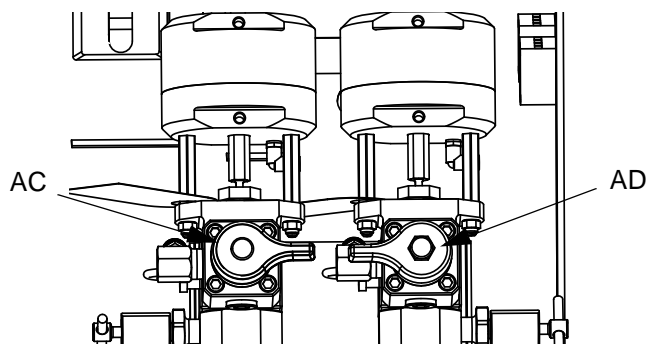
8. Run the pumps until the material has reached the desired temperature. See **Heat Fluid**, page 31.

9. Once desired temperature is reached, press .

10. Turn off the main air shutoff valve (CA).



11. Close recirculation valves (AC, AD).



12. See **Spray**, page 32.

**NOTE:**

If you circulate the A side pump at pressures greater than 3000 psi (21 MPa, 210 bar), an advisory is issued and the yellow LED on the display illuminates. This is a reminder to select Spray mode prior to spraying and to circulate at a lower pressure to avoid excessive pump wear.

If you circulate the A side pump above 5200 psi (35.4 MPa, 354 bar), an alarm shuts the pump down to prevent accidentally spraying material while still in circulation mode.

## With Heat

Using recirculation mode when heating the material is required. Note the temperature at the top of the heater (outgoing or back to hopper). When the thermometer and display reach operating temperature, the material is ready to spray.

## Heat Fluid

To heat fluid evenly throughout the system:

1. Circulate fluid at approximately 1 gpm (10-20 cycles/min.) to raise temperature of hoppers to 80-90° F (27-32° C).
2. Decrease circulation rate to approximately 0.25 gpm (5 cycles/min.) to increase the heater outlet temperature to match the spray temperature.

**NOTE:**

Circulating fluid too quickly without decreasing the circulation rate will increase only the hopper temperature. Similarly, circulating fluid too slowly will increase only the heater outlet temperature.

**NOTE:**

Agitate, recirculate, and heat material only as necessary to avoid mixing air into the fluid.

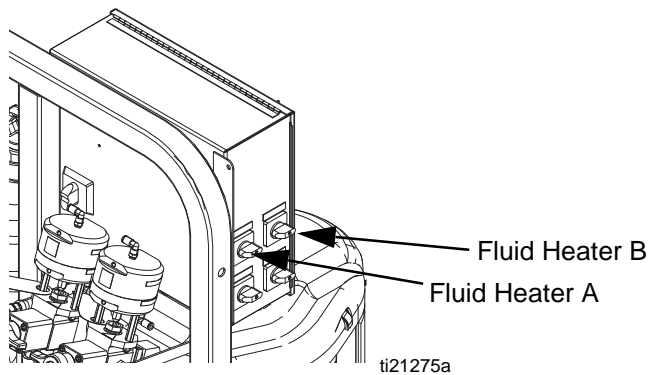
# Spray

|   |  |  |  |  |  |  |
|---|--|--|--|--|--|--|
|   |  |  |  |  |  |  |
| Wear gloves when using flush solvents and/or if fluid temperature exceeds 110° F (43° C). |  |  |  |  |  |  |

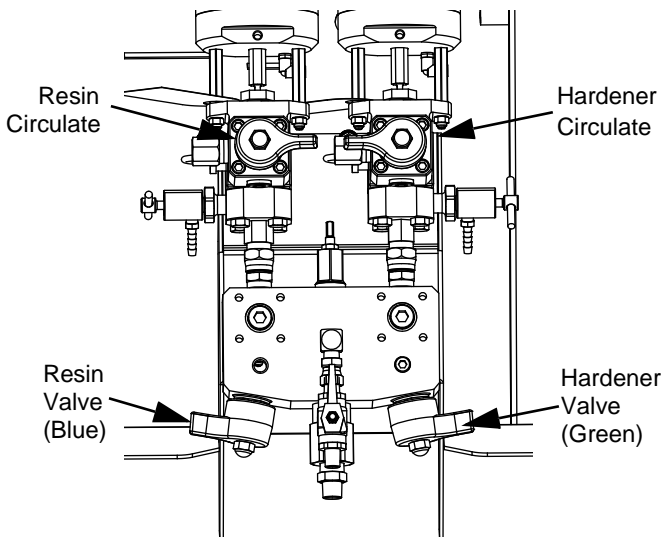
**NOTE:**

After the first day of spraying follow **Pressure Relief Procedure**, page 34, and then tighten throat seals on both pumps and dosing valves.

1. If heaters are used, use heater junction box to turn them on. To adjust heater temperature, refer to the Viscon HP manual for instructions, and the **Heat Fluid** section, page 31.



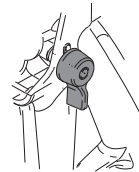
2. Close recirculation valves and mix manifold flush valve. Open mix manifold valves A (blue) and B (green).



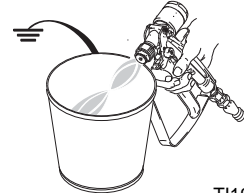
3. Adjust pump air regulator to 30 psi (0.21 MPa, 2.1 bar).

4. Select . Press

5. Disengage trigger lock and trigger gun into a grounded metal pail. Use a metal pail lid with a hole to dispense through to avoid splashing. Dispense flush solvent out of mix hose until a well mixed coating flows from the gun.

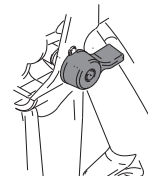


T11950a



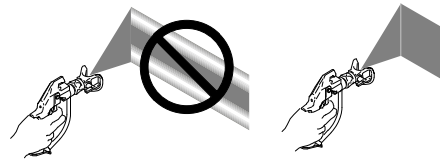
T11953a

6. Engage trigger lock. Install tip on gun.



T11949a

7. Adjust air regulator (CD) to the necessary spraying pressure and apply coating to a test panel. Look at ratio screen to ensure it is reading the correct ratio.



Also, look at bar graph to ensure mix manifold restriction adjustment is within optimal range. Refer to **Batch Dispense or Ratio Test**, page 43 and **Adjust B Machine Outlet Restriction**, page 33.

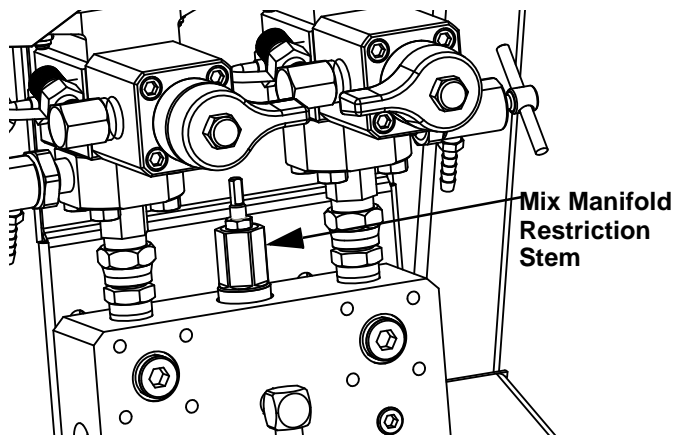
8. Follow **Flush Mix Manifold**, page 36, or **Park Fluid Pump Rods**, page 38, when you are finished spraying or before potlife expires.

**NOTE:**

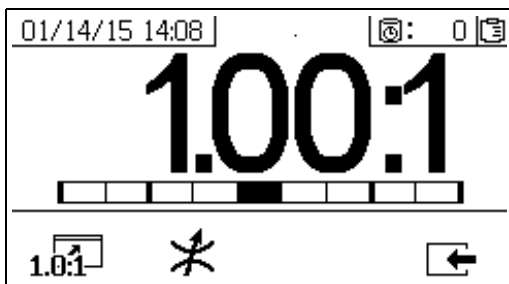
Mixed material potlife or working time decreases with increased temperature. Pot life in hose is much shorter than dry time of coating.

# Adjust B Machine Outlet Restriction

Adjust the restriction stem on mix manifold, or on restrictor valve if mix manifold is remote, to optimize the B side dosing control window. The goal is to create a near constant flow on the A side and frequent dosing or a near constant flow on the B side.



1. With material at normal spray temperature and tip installed on spray gun, trigger gun for at least 10 seconds.
2. Navigate to Ratio Mode screen. See **Ratio Mode**, page 64. Check bar graph.



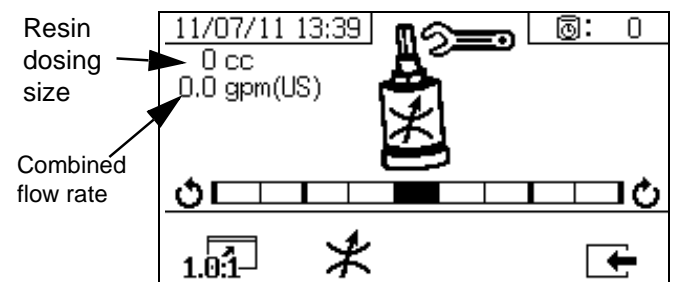
The ratio bar graph is shown when **1.0:1** is pressed. This screen is used to show the accuracy of the spray ratio. The bar should be in the center three segments when the restrictor is adjusted.

3. Press **\*** to go to the restrictor adjustment screen.

## NOTE:

- For remote mix manifolds, set the machine restrictor first. Then close the remote mix manifold restrictor to approximately the same setting, or until the restrictor screen starts to move to the left.

- It is normal for the bar to move on the graph while spraying. If the adjustment is too far off, you will receive an alarm. If the ratio will not hold, you will receive alarm R4BE or R1BE. See **Alarm Codes and Troubleshooting**, page 75.
- If the bar swings back and fourth and you are using feed pumps, the feed pressure may be too high. Keep feed pressure under 250 psi (1.75 MPa, 17.5 bar). High pressure pumps receive a pressure boost that is twice the pressure feed on the upstroke only. High feed pressures can cause pressure swings between A and B. The system will compensate, but the bar graph will the show the swing.





The restrictor adjust bar graph is shown when **\*** is pressed. This screen is used to adjust the restrictor.

- At maximum fluid flow, the bar should be in the center.
- At flows less than maximum, the bar should be on the right side.
- The bar should never be on the left.
- Configure the system at maximum fluid flow. Then turn the restrictor clockwise if the bar graph is on the right and counter-clockwise if the bar graph is on the left.

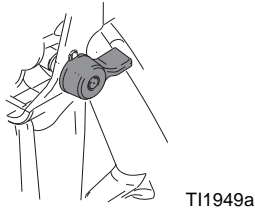
**NOTE:** A pump dosing size, shown on the upper left corner, will be minimum when the restrictor is adjusted correctly. Once the restrictor is set for a given ratio and material, it should be locked in place and left alone.

# Pressure Relief Procedure

|  |   |  |  |  |  |  |  |
|--|---|--|--|--|--|--|--|
|   |  |  |  |  |  |  |  |
| <p>Follow <b>Flush Mixed Material</b> when you stop spraying or dispensing; and before cleaning, checking, servicing, or transporting equipment.</p> |   |  |  |  |  |  |  |

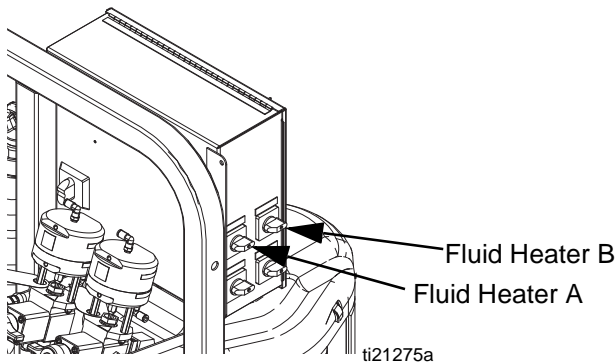
## Relieve A and B Fluid Pressure

1. Engage trigger lock.

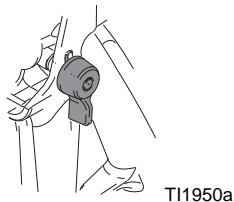


2. Press .

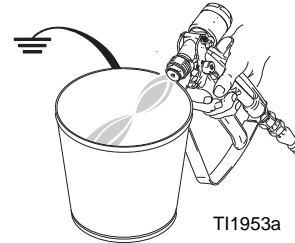
3. If fluid heaters are used, shut them off using the controls on the heater control box or the heater power junction box.



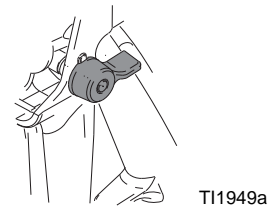
4. Shut off feed pumps, if used.
5. Remove spray tip and clean.
6. Disengage trigger lock.



7. Hold a metal part of the gun firmly to a grounded metal pail with a splash guard in place. Trigger gun to relieve pressure in material hoses.

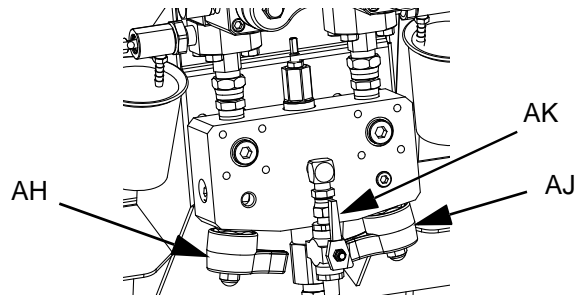


8. Engage trigger lock.

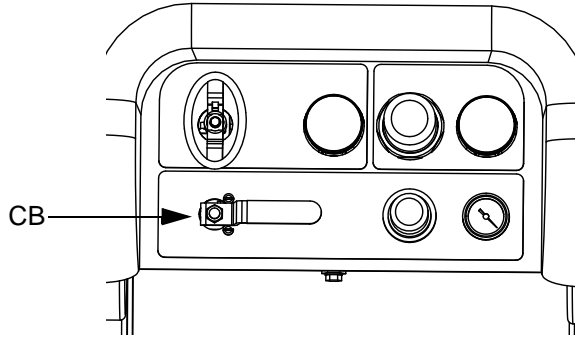


## Relieve Pump Fluid Pressure and Flush Mix Hose

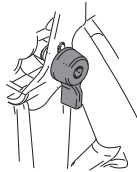
9. Close mix manifold valves (AH, AJ), then open solvent flush valve (AK) on mix manifold.



10. Open solvent pump air control valve (CB). Use lowest pressure needed to flush material out of hose.



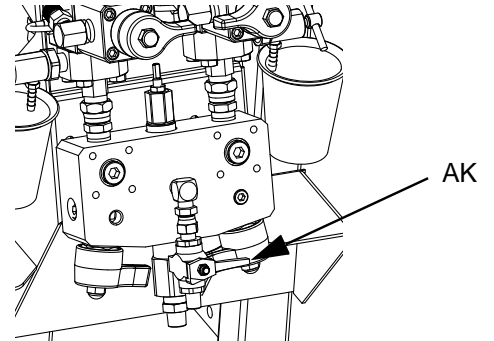
11. Disengage trigger lock.



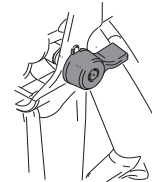
T11950a

12. Hold a metal part of the gun firmly to a grounded metal pail with a splash guard in place. Trigger gun to flush mixed material out of line with clean solvent.

13. Shut off solvent pump air control valve (CB).
14. Disengage trigger lock.
15. Close solvent flush valve (AK) on mix manifold.



16. Release any residual gun pressure and engage trigger lock.



T11949a




# Flush Mixed Material



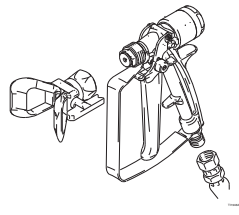
## Flush Mix Manifold

### Use Solvent Pump

1. Press  to turn off system. Engage trigger lock. Remove spray tip.

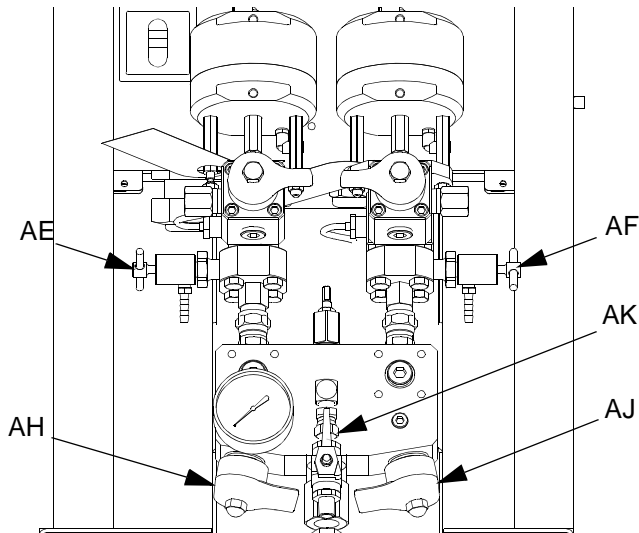


T11949a



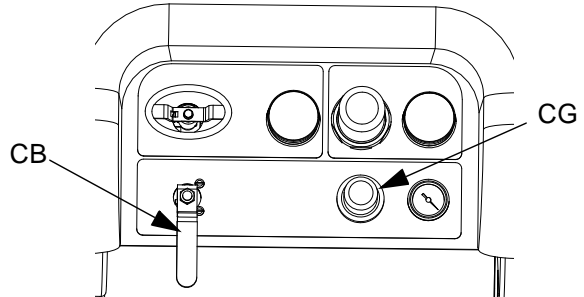
T11948a

2. Ensure sampling valves (AE, AF) and mix manifold valves (AH, AJ) are closed.

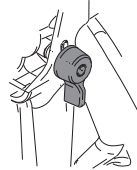


3. Open solvent shutoff valve (AK) at mix manifold.

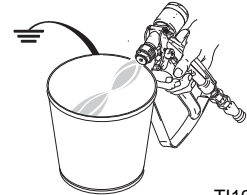
4. Open solvent pump air valve (CB). Pull out and slowly turn solvent pump air regulator (CG) clockwise to increase air pressure. Use lowest possible pressure.



5. Disengage trigger lock and trigger gun into a grounded pail. Use a pail lid with a hole to dispense through. Seal around hole and gun with a rag to prevent splash back. Be careful to keep fingers away from front of gun. Flush out mixed material until clean solvent dispenses.

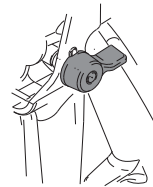


T11950a



T11953a

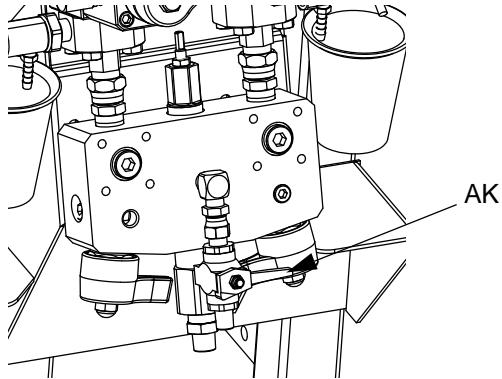
6. Engage trigger lock.



T11949a



7. Close solvent pump air valve (CB) and solvent shut-off valve (AK) at mix manifold. Trigger spray gun to relieve pressure.



9. Engage trigger lock.



T11949a

10. Disassemble and clean spray tip with solvent by hand. Reinstall on gun.

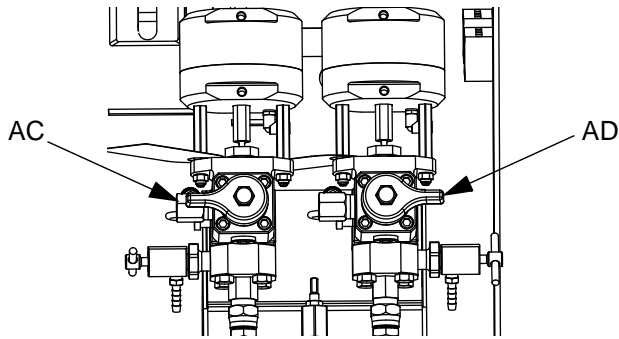
8. Follow **Pressure Relief Procedure**, page 34.

# Park Fluid Pump Rods

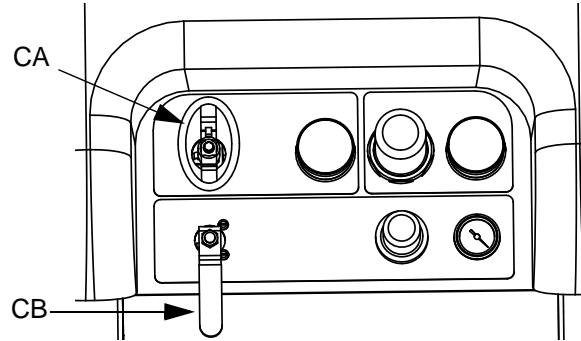
1. Relieve pressure. See **Pressure Relief Procedure**, page 34.

2. Press  .

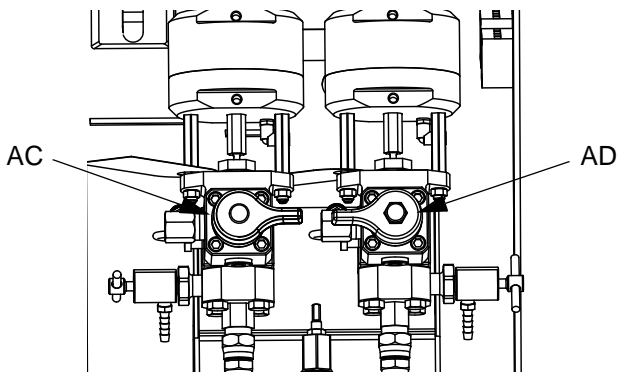
3. Turn recirculation valves (AC, AD) counter clockwise to open them. Each pump will run through recirculation until they reach the bottom stroke, and then stop.



5. Shut off main pump air valve (CA) and air supply to entire system.



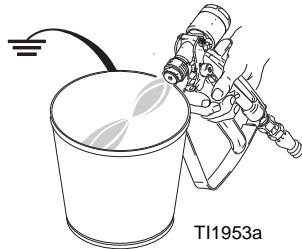
4. When each blue pump LED turns off, close the corresponding circulation valve.



# Shutdown Entire System

Follow this procedure prior to servicing equipment or shutdown.

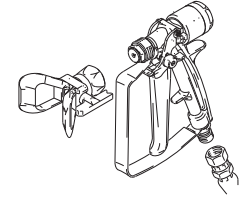
1. Follow **Flush Mixed Material**, page 36. Use a metal pail lid with a splash guard to avoid splashing.



2. Engage trigger lock, turn off air regulator, and close main air shutoff valve. Remove spray tip.



TI1949a



TI1948a

3. *For overnight shutdown:*

- Follow **Park Fluid Pump Rods** on page 38.
- Cap fluid outlets to keep solvent in the lines.
- Fill pump A and B packing nuts with throat seal liquid (TSL).

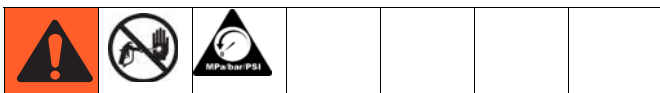
# System Verification

Graco recommends running the following tests daily.

## Mix and Integration Tests

Use the following tests to check for proper mix and integration.

### Butterfly Test



At low pressure, normal flow rate, and without a spray tip installed, dispense a 1/2 in. (12.7 mm) bead of material onto foil until multiple changeovers of each pump have occurred. Fold the sheet of foil over the fluid then peel it back and look for unmixed material (appears marble-like).

### Curing Test

Spray a single continuous pattern on foil at typical pressure setting, flow rate, and tip size until multiple changeovers of each pump have occurred. Trigger and de-trigger at typical intervals for the application. Do not overlap or cross over your spray pattern.

Check curing at various time intervals, listed on the material data sheet. For example, check for dry to touch by running your finger along the test pattern's entire length at the time listed on the data sheet.

#### NOTE:

Spots that take longer to cure indicate insufficient integration.

### Appearance Test

Spray material onto metal substrate. Look for variations in color, gloss, or texture that may indicate improperly catalyzed material.

## Pump and Metering Test

This test checks the following items and should be run every time a new job is started, or if there is a suspected problem.

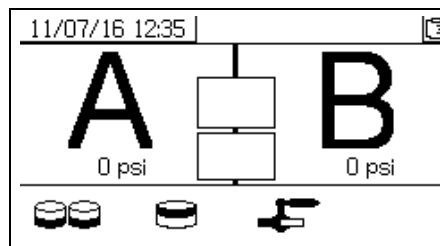
- Verifies that the pumps installed match the pumps selected on the Setup screen by dispensing exactly 750 ml of each material.
- Verifies that each pump holds fluid against the pump inlet valve by stalling on the down stroke.
- Verifies that each pump holds fluid against the pump piston valve and packings by stalling on the upstroke.
- Verifies that each metering valve holds fluid, and that there are no external leaks between the pump and metering valve.
- Verifies that the recirculation valves (AC, AD) are closed and do not leak.
- If system ratio mode is set by weight, this test calibrates the weight ratio.

This test will dispense 750 ml of component A, and then 750 ml of component B. Dispense into separate cups so the fluid can be returned to the supply tanks.

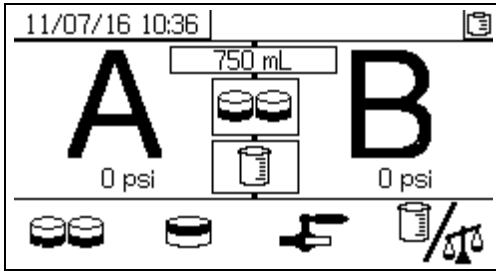
#### NOTE:

During each dispense the flow will stop once to stall the upstroke, once to stall the downstroke, and then it will finish the dispense. Do not close the sampling valve until the third flow stops and the blue pump light (DK) goes out.



1. Enter the **Test Screens** (see page 64).



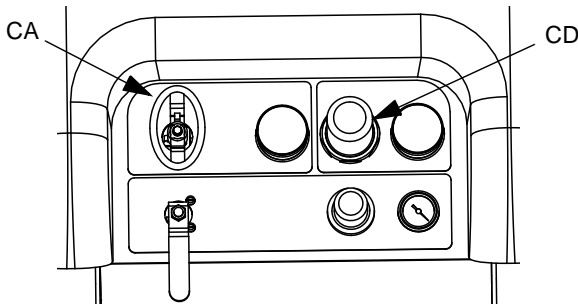
2. Select  to run pump test.



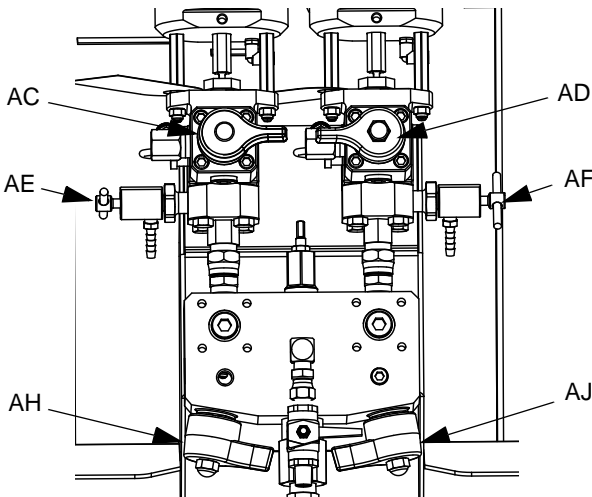
If the system ratio mode is by volume, either volumes or weights can be measured.

Press  to select this.  represents volume, which is standard on XM systems.

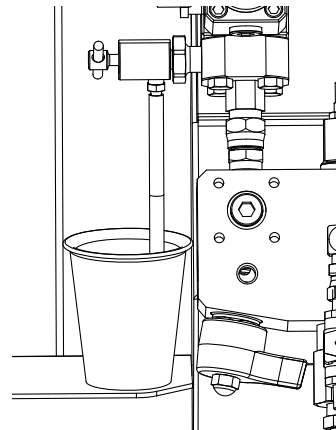
3. Set main pump air regulator (CD) pressure to zero. Open main pump and air valve (CA). Adjust main pump air regulator (CD) pressure to 50 psi (0.35 MPa, 3.5 bar).




4. Dispense fluid A:
  - a. Close recirculation valves (AC, AD), mix manifold valves (AH, AJ), and both sampling valves (AE, AF).

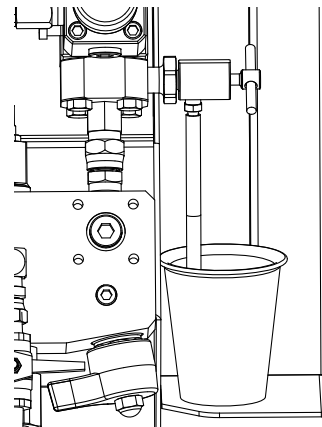


- b. Place a clean 1 quart (1000 cc) container under sampling valve A (AE).



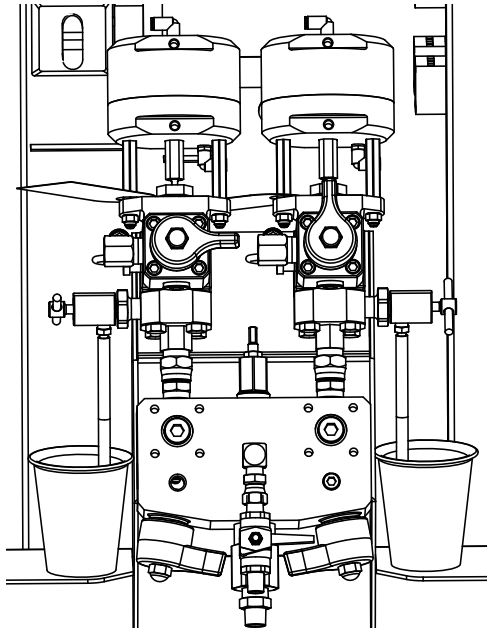
- c. Press . Pump A light (DK) comes on.
    - d. Slowly open and adjust sampling valve A (AE) to achieve desired flow. Pump stops automatically; twice during test and again when dispense completes. Pump A light (DK) turns off, Pump B light (DK) turns on.
  5. Close sampling valve A (AE).
  6. Dispense fluid B as follows:

- a. Place a clean 1 quart (1000 cc) container under sampling valve B (AF).



- b. Slowly open and adjust sampling valve B to achieve desired flow. Pump stops automatically; twice during test and again when dispense completes. Pump B light (DK) turns off.
        - c. Close sampling valve B (AF).

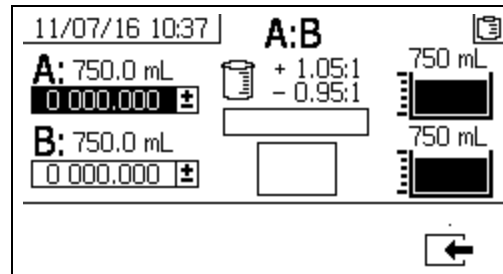
- Compare fluid amounts in containers; they should be equal at 750 ml (25.3 fl. oz.) each. Repeat test if fluids are not equal. If problem persists, see **Alarm Codes and Troubleshooting**, page 75



- Return fluid used in test to corresponding fluid supply container.

### Confirm Pump and Metering Test

The Confirm Pump and Metering Test screen displays when the pump and metering test completes without error. Depending on the system ratio and test modes, the details of the screen can vary. See Appendix A, **Test Screens** (page 64) for these variations. The information here is for system ratio mode by volume and a test volume which is standard for XM systems. The screen displays the target volume of material dispensed into each beaker from each metering pump. To determine if the system is in ratio and have your test results entered in the downloadable USB log files, enter the two volumes.



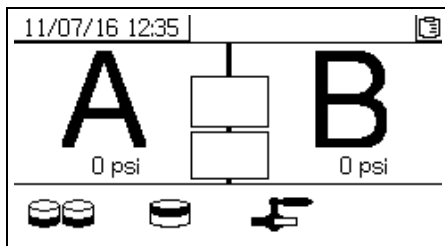
## Batch Dispense or Ratio Test


This test dispenses a calculated volume of each fluid based on ratio. The two fluids combined equal the batch size selected.

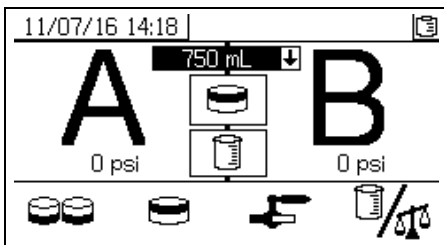
Follow this procedure to dispense a batch (into one container) for touch-up work or to verify a ratio setting (use separate containers for fluids A and B).





Dispense into a container with graduations no greater than 5% of each component. If the ratio is known by weight, use a scale for greatest accuracy.

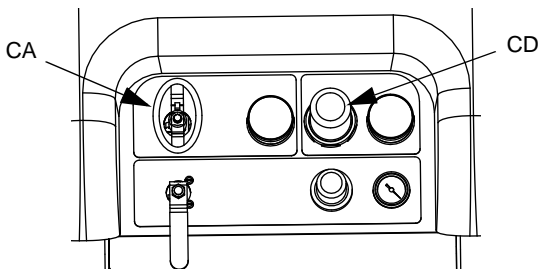
1. Enter the **Test Screens** (page 64).



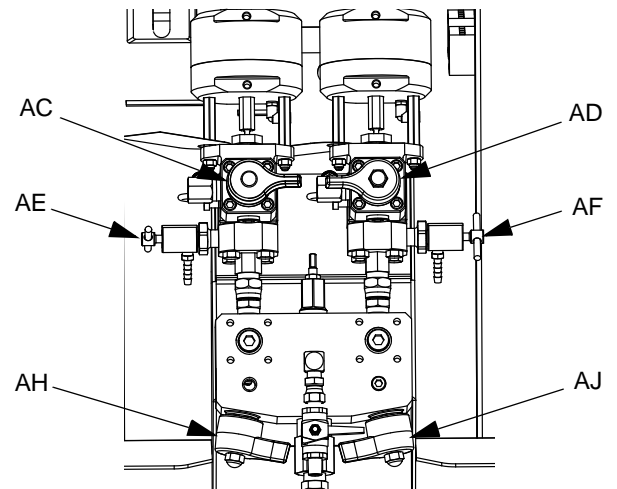
2. Select  to run batch dispense test.



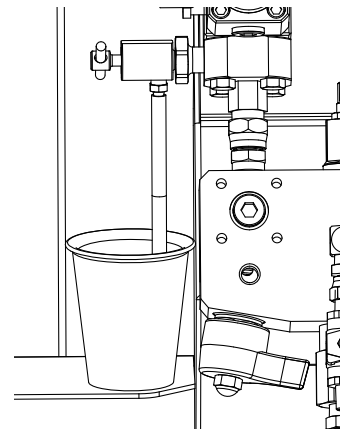
3. Adjust dispense amounts from 500 ml to 2000 ml (in 250 ml increments) by pressing  to open the drop-down box. Then press  and  to select the desired value. Press  to select that value.
4. Set main pump air regulator (CD) pressure to zero. Open main pump and air valve (CA). Adjust main pump air regulator (CD) pressure to 50 psi (0.35 MPa, 3.5 bar).




5. Close recirculation valves (AC, AD), mix manifold valves (AH, AJ), and sampling valves (AE, AF).



6. Place a clean container under sampling valve A (AE).

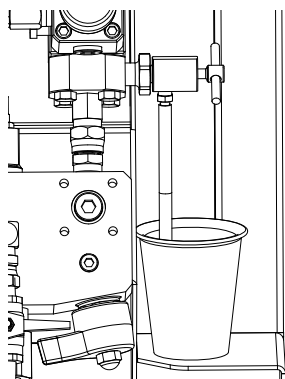


7. Press . Pump A light comes on.
8. Dispense fluid A. Slowly open and adjust sampling valve A (AE) to achieve desired flow. The pump stops automatically when dispense completes. Pump A light (DK) turns off, Pump B light (DK) turns on.
9. Close sampling valve A (AE).

10. Dispense fluid B as follows:

- a. *Batch dispense:* move container under sampling valve B (AF).

*Ratio check:* place clean container under sampling valve B (AF).



- b. Slowly open and adjust sampling valve B (AF) to achieve desired flow. The pump stops automatically when dispense completes. Pump B light (DK) turns off.
- c. Close sampling valve B (AF).

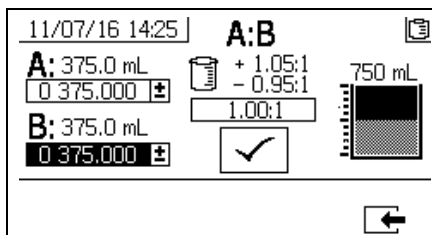
- 11. *Batch dispense:* stir material until mixed.  
*Ratio check:* compare A and B fluid dispensed.

### Confirm Batch Dispense Test

The Confirm Batch Dispense Test screen displays when the batch dispense test completes without error. This screen displays the selected ratio between the metering pumps and the volume of material dispensed from each metering pump.

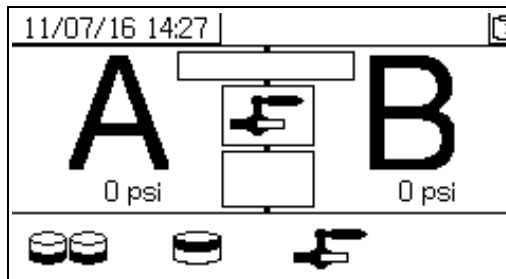
The gray at the bottom of the beaker represents the volume of material dispensed by metering pump A and the black at the top of the beaker represents the volume of material dispensed by pump B.

Enter the volume of each sample in the A and B input boxes. The system will calculate the ratio and display a check in the box if it is within tolerance. The result of the test is also entered in the USB log.






### Down Stream Valve Leak Test

This test confirms or troubleshoots leaks in components located down stream of the dosing valves. Use this test to detect closed or worn valves, and to detect leaks in circulation valves installed at a remote mix manifold.



1. Close both mix manifold valves downstream of the dosing valves.
2. Close recirculation valves (AC, AD).
3. Enter Test mode in the run (fluid control) screen.

See **Test Screens** on page 64. Select  to run down stream valve leak test.

4. Select . Press . Ensure dosing valves (AA, AB) are open by verifying blue LEDs are illuminated for both dosing valves.
5. If test is successful, both pumps will stall against the down stream valves when the dosing valves (AA, AB) are open. If any movement is detected in the pumps after stalling, an alarm is issued indicating which side has a leak.



# Empty and Flush Entire System (new sprayer or end of job)



## NOTE:

- If the system includes heaters and heated hose, turn them off and allow to cool before flushing. Do not turn on heaters until fluid lines are clear of solvent.
- Cover fluid container and use the lowest possible pressure when flushing to avoid splashing.
- Before color change or shutdown for storage, flush at a higher flow rate and for a longer time.
- To flush only the fluid manifold, see **Flush Mixed Material**, page 36.

## Guidelines

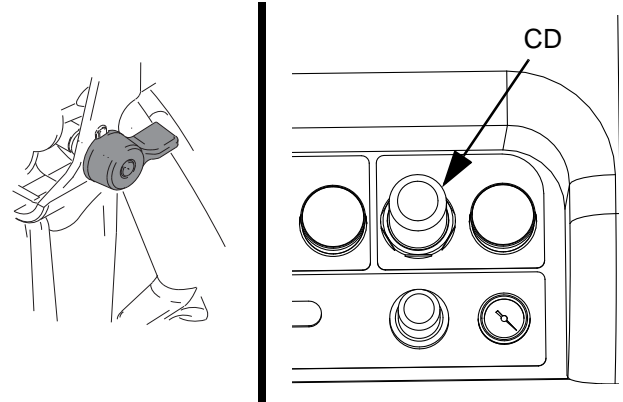
Flush new systems if coating materials will be contaminated by 10W oil.

Flush system when any of the following situations occur. Flushing will help prevent materials from clogging the line between hoppers and pump inlets.

- anytime sprayer will not be used for more than one week
- if materials used will settle
- if using thixotropic resins that require agitation

## Procedure

1. Follow **Prime**, page 27 and **Flush Mixed Material**, page 36, as required. Engage trigger lock. Turn main pump air regulator (CD) fully counter-clockwise to shut off.



2. Move circulation return lines to separate fluid containers to pump remaining fluid out of system.
3. Increase main pump air regulator (CD) pressure to 20 psi (138 kPa, 1.38 bar).

4. Select . Press .

## NOTE:

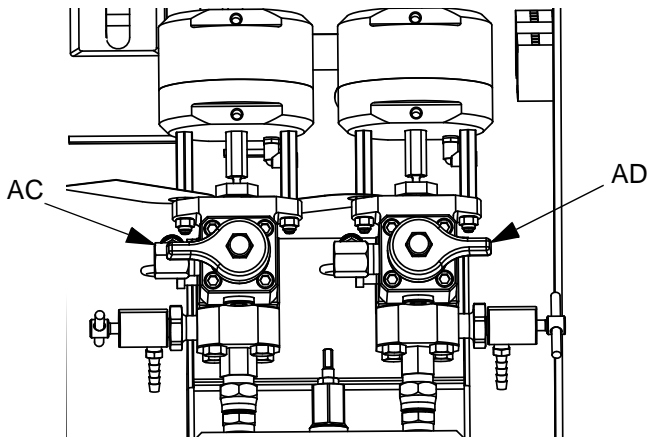
When running pumps independently set to or . Press and as needed to clean.

## NOTE:

If sprayer does not start with static pressure, increase air pressure by 10 psi (69 kPa, 0.7 bar) increments. To avoid splashing, do not exceed 35 psi (241 kPa, 2.4 bar).



Empty and Flush Entire System (new sprayer or end of job)

- Open recirculation valves (AC, AD) for respective pump dispense side. Run pumps until the A and B reservoirs are empty. Salvage the material in separate, clean containers.




**NOTE:**

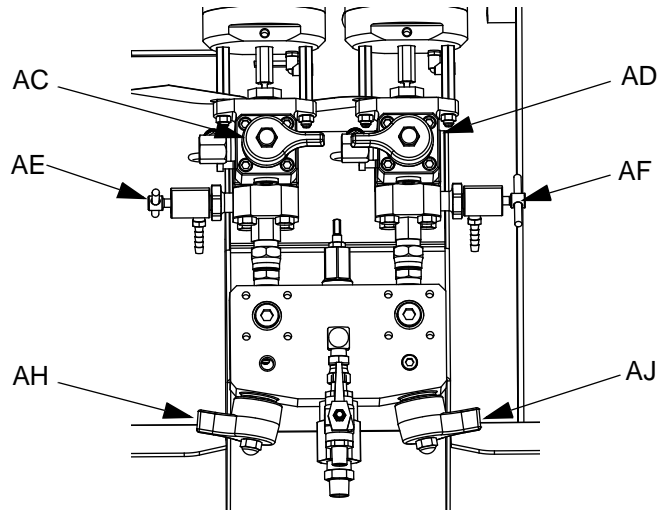
When priming or flushing the pumps, it is normal to get cavitation or pump runaway alarms. Clear the alarms


 , and press  again as necessary. These alarms prevent excessive pump speeds that can damage pump packings.

- Wipe reservoirs clean, then add solvent to each. Move circulation lines to waste containers.
- Repeat Step 4 to flush through each side until clean solvent exits recirculation hose.

- Press . Move recirculation hoses back to reservoirs. Continue recirculating until system is thoroughly flushed.

- Close recirculation valves (AC, AD) and open mix manifold valves (AH, AJ). Dispense fresh solvent through mix manifold valves and out gun.

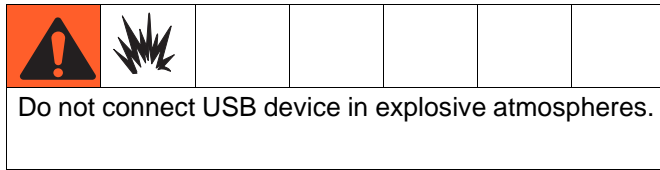


- Close mix manifold valves (AH, AJ).
- Slowly open sampling valves (AE, AF) to flush solvent through until clean. Close sampling valves.  
Press .
- Follow **Park Fluid Pump Rods**, page 38.
- Remove pump fluid filters, if installed, and soak in solvent. Clean and replace filter cap. Clean filter o-rings and leave out to dry. Do not leave o-rings in solvent.
- Close main air valve (E).

**NOTE:**

Fill A and B pump packing nuts with TSL. Also, always leave some type of fluid, such as solvent or oil, in the system to prevent scale build up. This build up can flake off later. Do not use water.

# Download Data from USB



## USB Logs

By default, the ratio spray logs record data every 60 seconds. This 60 second interval will record about 32 days of data if spraying 8 hours per day, 7 days per week. To change the default, see **Download Setup**, page 47. This log can hold up to 18000 lines of data.

### Ratio Log 1

(Default log for download.) The ratio log records date, time, machine number, job number, ratio target, ratio, batch volume, and ratio type (volume/weight) while the system is in Spray mode.

### Spray Log 2

The spray log records key data while the system is in spray mode. It records A and B temperature, A and B pressure, A and B flow, A and B batch totals, ratios, restrictor adjustments, alarm codes, and commands.

**NOTE:** Once the ratio or spray log is full, new data automatically overwrites old data.

**NOTE:** After data in the ratio or spray log is downloaded it remains in the USB module until it is overwritten.

### Event Log 3

The event log records all event codes generated over a two year period. This log should be used for troubleshooting purposes and cannot be deleted. This log can hold up to 39000 lines of data.

### Data Log 4



The data log records (every 120 seconds) all data that occurs during spray mode over a two year period. This log should be used for troubleshooting purposes and cannot be deleted. This log can hold up to 43000 lines of data.


The 120 second recording period cannot be adjusted.


## Download Setup

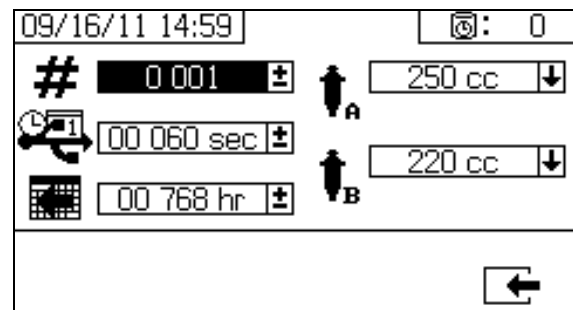
Navigate to the System Setup screen. Change the number of hours of recorded data to download (default is

768 hours), by pressing  and  to move

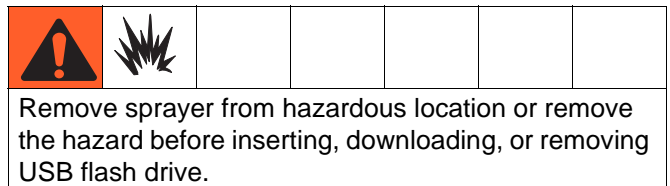
to . Press  to make the field selectable.

Press  to scroll through each digit. Press

 to save the new digit. Follow the same procedure to change the time interval at which data will record (default is 60 seconds). Exit the System Setup screen.



## Download Procedure




1. Insert USB flash drive into USB port (DR). Use only Graco-recommended USB flash drives; see **Recommended USB Flash Drives**, page 70.


### NOTE:

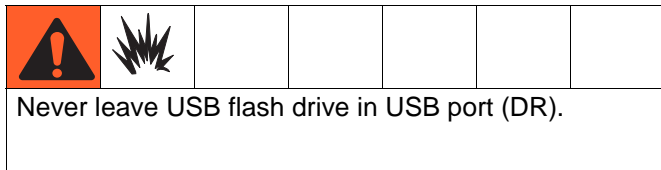
Inserting the USB flash drive while the sprayer is running will stop sprayer operation.

2. The USB download screen automatically displays, and the selected log(s) automatically downloads. The USB symbol flashes to indicate download is in process.

**NOTE:**

To cancel download, press  while in process. Wait for USB icon to stop flashing, and then remove USB flash drive.

3. The USB icon stops flashing when download completes. The box below displays , which indicates the download was successful
4. Remove USB flash drive from USB port (DR).



5. Insert USB flash drive into USB port of computer.
6. The USB flash drive window automatically opens. If it does not, open USB flash drive from within Windows<sup>®</sup> Explorer.

7. Open Graco folder.
8. Open sprayer folder. If downloading data from more than one sprayer, there will be more than one sprayer folder. Each sprayer folder is labeled with the corresponding USB serial number.
9. Open DOWNLOAD folder.
10. Open folder labeled with the highest number. The highest number indicates the most recent data download.
11. Open log file. Log files open in Microsoft<sup>®</sup> Excel<sup>®</sup> by default. However, they can also be opened in any text editor or Microsoft<sup>®</sup> Word.

**NOTE:**

All USB logs are saved in Unicode (UTF-16) format. If opening the log file in Microsoft Word, select Unicode encoding.

# Maintenance

## Filters

Once a week check, clean, and replace (if needed) the following filters. Be sure to follow the **Flush Mixed Material**, page 36, prior to performing filter maintenance.

- Both pump filters; see manual 311762 for instructions.
- Main air inlet manifold filter; see manual 313289, Replace Air Filter Element section, for instructions.
- Air regulator filter (5 micron) on air control assembly; see manual 313289, Replace Air Filter Element section, for instructions.
- B side mix manifold strainer (as required); see manual 312749.

## Seals

Once a week, check and tighten throat seals on both pumps and dosing valves. Be sure to follow the **Flush Mixed Material**, page 36, prior to tightening seals.

## Cleaning Procedure



1. Ensure all equipment is grounded. See **Grounding**, page 11.
2. Ensure the area where the sprayer will be cleaned is well ventilated; and remove all ignition sources.
3. Turn off all heaters and allow equipment to cool.
4. Flush mixed material. See **Flush Mixed Material**, page 36.
5. Relieve pressure. See **Pressure Relief Procedure**, page 34.
6. Shutdown sprayer and turn off all power. See **Shutdown Entire System**, page 39.
7. Clean external surfaces only using a rag soaked in solvent that is compatible with the spray material and the surfaces being cleaned.
8. Allow enough time for solvent to dry before using sprayer.

# Troubleshooting

## XM Setup and Troubleshooting Guide

The following setup information will help ensure the system is setup properly. See the XM repair-parts manual for troubleshooting and repair instructions.

### Grounding

- Ground system to a true earth ground.
- Ensure incoming power is grounded.

### Air Supply

- Use at least a 3/4 in. (19mm) ID air hose, no longer than 50 feet (15m).
- Ensure the first gauge (supply) stays above 80 psi (0.55 MPa, 5.5bar) while spraying.
- Ensure that the pump spray pressure regulator is set to at least 35 psi (2.4 bar) for spraying.
- Ensure that the solenoid air filter/regulator behind the air panel is set to at least 80-85 psi.
- Check that the air filter element in the solenoid air filter/regulator behind the air panel is clean.

### Calibration

- Adjust the B side fluid restrictor so that the calibration bar graph averages center to right middle. This means that the "B" dosing valve is open 25% to 75% of the time.
- Ensure dosing valve needle packing nuts are not adjusted too tight. They should be snug when there is no fluid pressure on the valve.
- If feed pumps are used, don't use more than 250psi (17 bar). Excess pressure adds double the amount of pressure on only the upstroke of the XM metering pump.

### Motor Icing

Air motors accumulate ice in the exhaust valving and muffler under hot and humid conditions or under cold ambient conditions. It can cause pressure loss or motor stalling.

- The 'B' fluid pressure should always be 15% to 30% higher than 'A' pressure.
- A larger pressure difference indicates 'A' motor icing.
- A smaller or negative pressure difference indicates 'B' motor icing.
- Ensure that the NXT motor De-Ice bleed valves are open to bleed warm air across the ice.
- Ensure that the motor is left active when not spraying to keep the internal bleed air working. Leave the motor active in Spray mode or Manual mode to keep the bleed air on.

### Restrictions or Lost Pressure

- Always use filter screens in the XM pump lowers. Filter style pumps come with 60 mesh screens. Optional 30 mesh elements are also supplied.
- Always use a gun filter. 60 mesh is provided in the gun. Check that the static mixer is clean.
- Early mix manifolds (2009) had a 40 mesh screen on the B side. The screen could plug with materials that have filled 'B' side fluids.

## Remote Mix Manifold Applications

Ensure remote mix manifold outlet kit is installed. See XM Repair parts manual. The kit includes outlet check valves which isolate the pump pressure sensors from the outlet hoses, and includes a 'B' side restrictor valve for the machine outlet.

**NOTE: Early remote manifold machines didn't include the 'B' restrictor valve from the factory.**

- Ensure that the 'A' and 'B' outlet hose sizes volume balanced close to the mix ratio. Unbalanced hose sizes can cause off ratio slugs at the mix manifold during pressure and/or flow transitions. See XM Mix Manifold Kits manual.

- If a minimum of integration and mix hose is used, ensure that "Fast Dosing" is selected in the setup screens

## Software Version

- Ensure all modules in the system use software from same token. Different software versions may not be compatible.
- The latest software version for each system can be found at Tech Support at [www.graco.com](http://www.graco.com).

## LED Diagnostic Information

The following LED signals, diagnosis, and solutions are the same for the display module, fluid control module, and USB module. LEDs are located next to the module power cable.

| Module Status LED Signal | Diagnosis   | Solution   |
|--------------------------|---|--|
| Green on                 | System is powered up and power supply voltage is greater than 11 Vdc. | -  |
| Yellow                   | Internal communication in progress                                    | -  |
| Red solid                | Hardware failure  | Replace display module, fluid control module, or USB module. |
| Red flashing fast        | Uploading software  | -  |
| Red flashing slow        | Token error   | Remove token and upload software token again.                |

## Accessories and Kits



Not all accessories and kits are approved for use in hazardous locations. Refer to the specific accessory and kit manuals for approval details.

### 20-Gallon Hopper Kit, 255963

One complete double-wall 20-gallon hopper. See manual 312747 for more information.

### Hopper Heater Kit (240V), 256257

For heating fluid in a 20-gallon hopper. See manual 312747 for more information.

### Universal Hopper Fluid Inlet Kit, 256170

For connecting any of the four lower models included with XM sprayer to a 20-gallon hopper. See manual 312747 for more information.

### Universal Hopper Mounting Kit, 256259

For mounting a 20-gallon hopper to the side or back of an XM sprayer. See manual 312747 for more information.

### Twistork® Agitator Kit, 256274

For mixing viscous materials held within a 20-gallon hopper. See manual 312769 for more information.

### T2 Feed Pump Kit, 256275

For supplying viscous material from a 20-gallon hopper to an XM sprayer. See manual 312769 for more information.

### 5:1 Feed Pump Kit, 256276

For supplying viscous materials from a 20-gallon hopper to an XM sprayer. See manual 312769 for more information.

### 7-Gallon Hopper and Bracket Kit, 256260 (Green) 24N011 (Blue)

One 7-gallon hopper and mounting brackets. Mounts to the side or back of an XM sprayer. See manual 406699 for more information.

### 2:1 Drum Feed Kit, 256232

One T2 pump feed kit and one Twistork agitator kit for mixing and supplying viscous materials from a with 55-gallon drum to an XM sprayer. See manual 312769 for more information.

### 5:1 Drum Feed Kit, 256255

One 5:1 pump feed kit and one Twistork agitator kit for mixing and supplying viscous materials from a with 55-gallon drum to an XM sprayer. See manual 312769 for more information.

### Hopper/Hose Heat Circulation Kit, 256273

For circulating heated water through 20-gallon hoppers, heated hose, and Viscon HP heater. See manual 313259 for more information.



### **Desiccant Dryer Kit, 256512**

For use with 20-gallon hoppers. See manual 406739 for more information.

### **Caster Kit, 256262**

For mounting casters on XM sprayer frame. See manual 406690 for more information.

### **Hose Rack Kit, 256263**

For mounting to side, front, or back of XM sprayer frame. See manual 406691 for more information.

### **Lower Strainer and Valve Kit, 256653**

For straining material from a feed pump to an XM sprayer fluid inlet. See manual 312770 for more information.

### **Electric Heated Hose Power Supply Kit, 256876**

For monitoring and controlling fluid temperature in low-voltage heated hoses. See manual 313258 for more information.

### **5000 psi Two-Component Main Heated Hose Set Kit**

Electric heated hose set for adding additional sections.

| <b>Part</b> | <b>Description</b>                               |
|-------------|--|
| 248907      | Heated hose set; 1/4 in. ID x 3/8 in. ID; 50 ft. |
| 248908      | Heated hose set; 3/8 in. ID x 3/8 in. ID; 50 ft. |

### **Xtreme Pump Wetcup Wrench, 15T258**

### **Xtreme Pump Filter Wrench, 16G819**

### **10:1 Drum Feed Kit, 256433**

For supplying highly viscous material from a 55-gallon drum to an XM sprayer. See manual 312769 for more information.

### **Shutoff/Check Valve Kit, 255278**

For replacing shutoff valve or check valve. See manual 313343 for more information.

### **Alternator Conversion Kit, 256991**

For converting an XM sprayer from wall power supply to intrinsically safe alternator power supply. See manual 313293 for more information.

### **Mix Manifold Kit, 255684**

See manual 312749 for more information.

### **Remote Mix Manifold and Carriage Kit, 256980**

For converting to a remote mix manifold kit with a protective guard. See manual 312749 for more information.

### **Restrictor Valve Kit, 24F284**

For B dosing outlet on remote mix manifold machines. Use to convert early XM machines without the valve on the B outlet.

### **Restrictor Valve Wrench, 126786**

For adjusting restrictor valve. See page 33.

# Appendix A

## User Interface Display

The user interface display is divided into three main functions: Setup, Command, and Automatic.

### Setup Mode Screens (key to right)

The setup functions enable users to:

- change between volume and weight ratio
- set desired mix ratio by volume or weight
- set weight ratio and tolerance for ratio checks
- configure system settings
- set potlife parameters
- enable/disable functions, displays, and display components
- set which USB logs to download
- schedule maintenance parameters for alarms and advisories
- set pressure and temperature limits
- set tank “fill” and “full” levels

#### NOTE:

Some setup functions must be enabled from the Enable Setup screens before users can change or set configurations. See **Enable Setup Screens**, page 59, for instructions.

### Operator Command Mode Screens (key to left or removed)

Use these screens to:

- run pumps, including flush, circulate, and prime procedures
- park metering pumps so pump rods are down when not in use
- mix and spray
- view mix ratio
- run pump tests/calibrate weight mode
- run batch dispense ratio tests
- run valve leak checks
- view dispense totals
- view alarms
- diagnose alarms
- clear alarms


### Automatically Displayed Screens

These screens are shown when

- The potlife timer alarms to notify the user that material is about to cure in the system.
- download USB logs.

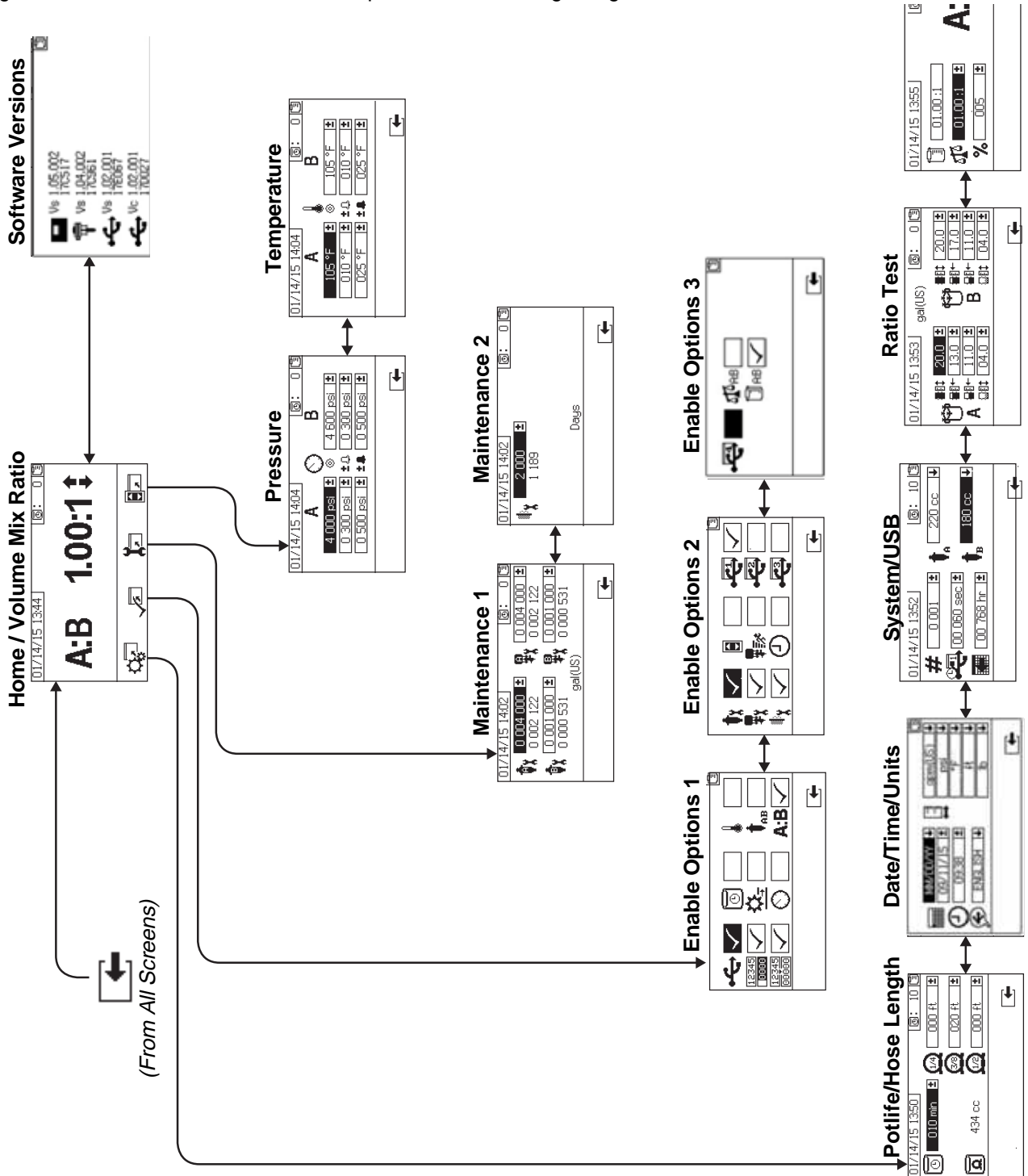
## Change a Setting

All settings are changed in the same manner:

1. Navigate to the desired screen. See **Operator Command Mode Screens**, or **Setup Mode Screens**.
2. Once in the desired screen, use the arrow keys to navigate to the item that you wish to change.
3. Press enter to enter editing mode.
4. Use the arrow keys to change the selection or value.
5. Press enter again to save the change or press  to cancel the change.

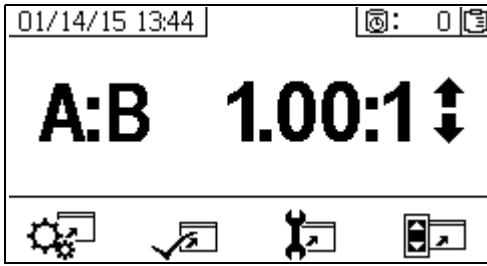
# Setup Mode Screens

Setup mode screens are divided into five major sections: home, limits, maintenance, enable, and system. The following figure demonstrates the flow of the Setup mode screens beginning with the Home screen.



## Home Setup Screens (Key Switch On)

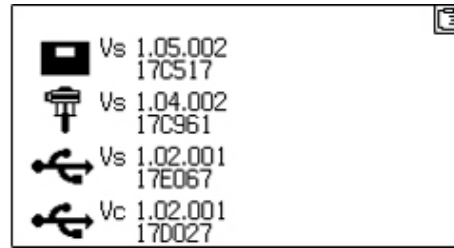
### Home



Home is the first screen that displays in Setup mode. It shows the current metering pump ratio and enables users to change the mix ratio and access the following screens: system setup, enable/disable functions, maintenance setup, and limits. Refer to the following table for more details.

| Icon | Function   |
|------|--|
|      | Increase or decrease mix ratio. Press  and  to change the mix ratio. |
|      | Navigate to jump to system setup screens.                            |
|      | Navigate to enable/disable options screens.                          |
|      | Navigate to maintenance setup screens.                               |
|      | Navigate to pressure and temperature limits setup screens.           |

## Software Versions



This screen displays the versions and part number of the system components. Refer to the following table for details. To access this screen, press from the Home Setup screen.




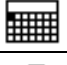









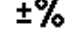
| Icon | Function   |
|------|--|
|      | Display module version (Vs) and part number                                |
|      | Advanced fluid control module version (Vs) and part number                 |
|      | USB version (Vs) and part number<br>USB Configuration (Vc) and part number |

## System Setup Screens

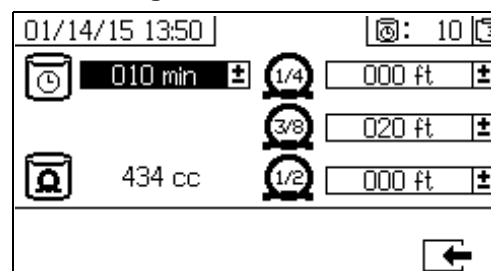
System Setup enables users to configure system settings for fluid control and operator interaction. Refer to the following table for details.

### NOTE:

Some system settings must be enabled from the Enable Setup screens before users can change or set configurations. See **Enable Setup Screens**, page 59, for instructions.

| Icon  | Function   |
|---|--|
|    | Set number of minutes before mixed material will set in hose. Resets after material volume set by user is passed through hose. |
|    | Indicates total hose volume. Always displayed in cc units.   |
|    | Set length of hose after mix manifold. Used to indicated total hose volume.  |
|    | Set calendar date and format.  |
|   | Set time.  |
|  | Set USB language.  |
|  | Set units of measurement desired for display, such as fluid and temperature.   |
|  | Set sprayer number if using more than one sprayer.   |
|  | Set how often data will record to USB ratio and spray logs.  |
|  | Set number of hours of recorded data to download to USB flash drive.   |
|  | Set the A and B side metering pump sizes.  |
|  | Volume ratio reference   |
|  | Weight ratio reference   |
|  | Ratio Pass Tolerance   |

## Potlife/Hose Length

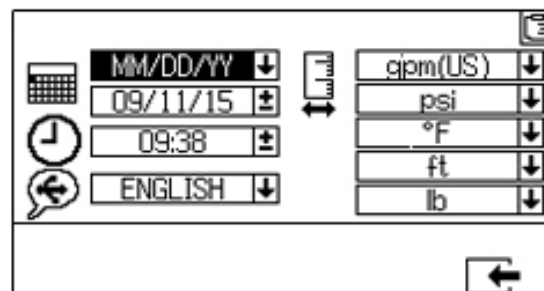


This screen enables users to set the potlife timer, and length of each mixed material hose specific to the system. The total mixed material volume is then calculated and displayed on the page. The potlife time displays in the upper right corner.

When the fluid flow stops the displayed potlife time counts down in one minute intervals. The timer automatically resets when the calculated mixed fluid volume is dispensed.

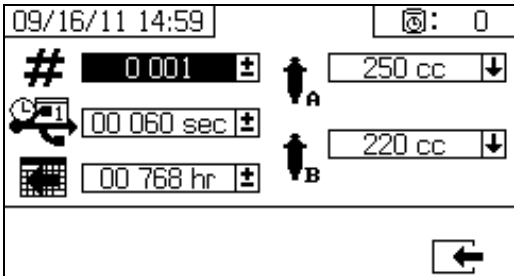
## Date/Time/Units

Use this screen to set day, time, and units that will be displayed on each screen. The selected language is used in each USB log. The following USB languages are supported: English, French, German, Spanish, Russian, Italian, Chinese, Japanese, Korean, Norwegian, and Polish.



### System Number and USB Settings

This screen enables users to set the sprayer number if using more than one sprayer. It also enables users to configure the number of hours downloaded to external USB flash drive and how often the data will record. See **Set System Settings (Optional)**, page 24, for instructions.



### Pump Configuration

Users can change the pump size that is specific to the system if the pump box is selected on **Enable Setup 1**, page 59.

**NOTICE**

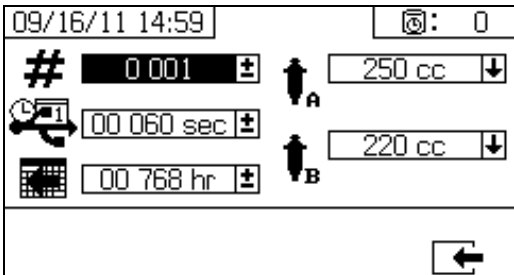
Changing the pump size settings may cause the system to spray off ratio.

#### Set Pump Sizes

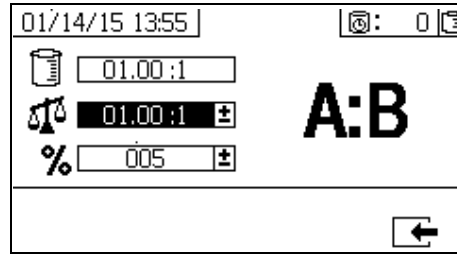
To change the pump size, press and to select the field. Press to open the drop down field.

Press and to select the preferred pump size.

Press again to save the change.

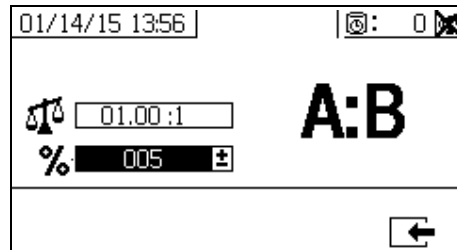


### Ratio Test



For **Ratio by Volume Mode**, use this screen to set the ratio by weight (middle number), and the ratio tolerance (bottom number). The values determine whether the ratio test passes. The ratio by volume (top number) is displayed but cannot be changed on this screen. See **Home** screen, on page 56, to change the ratio by volume.

For **Ratio by Weight Mode**, use this screen to set the ratio by weight tolerance (bottom number). The ratio by weight (top number) is displayed but cannot be changed on this screen. See **Home** screen, on page 56, to change the ratio by weight.



## Enable Setup Screens

Enable Setup allows users to enable and disable functionalities, screens, and USB download log files. Checked boxes indicate the function, screen, or log file is active. Refer to the following table for details.

To enable and disable functionalities, screen, and USB

log files, press from the Home Setup screen.

Once in the Enable Setup screen, press and

to scroll through each subscreen. Press

and to scroll through each field within the sub-

screens, and press to enable or disable each.

Press to return to the Home Setup screen

| Icon       | Function  |
|------------|---|
|            | USB data download function. Disable this function to prevent operators from changing USB settings.<br><b>NOTE:</b> Even if this function is disabled, selected USB logs will still be downloaded. |
|            | Enable or disable totalizer screens.  |
|            | Enable or disable batch totalizer clear function.   |
|            | Display potlife timer on all screens. Enable or disable potlife timer setup screen.   |
|            | Display flow rates on run screens   |
|            | Display A and B pressures on run screens.   |
|            | Display A and B temperatures on run screens.  |
|            | Enable or disable ability to change pump size in system setup screens.  |
| <b>A:B</b> | Enable or disable ratio screen. If enabled, ratio screen will automatically display after sprayer runs for 10 seconds.  |
|            | Enable or disable pump maintenance setup screens.   |

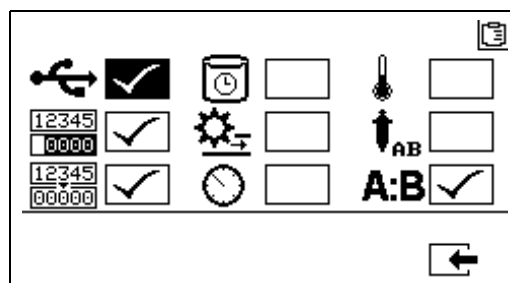
| Icon | Function   |
|------|--|
|      | Enable or disable dosing valve maintenance setup screen.   |
|      | Enable or disable incoming air filter maintenance setup screen.  |
|      | Enable or disable limits (pressure and temperature) screens.   |
|      | Fast dosing function. Enable function to minimize B side dose size and increase dosing rate. See table below.<br><br>Use this function with short integration hose. The system will attempt to hold the dosing sizes below the advisory level. |
|      | Display time on all screens.   |
|      | Enable or disable USB log files (1-3) to download.   |
|      | Selects system ratio by volume  or ratio by weight  mode. Only one of these modes can be enabled at one time.  |

### Fast Dosing Function

| Fast Dosing | Advisory QTAE | Alarm QDAE |
|-------------|---------------|------------|
| on          | 20 cc         | 30 cc      |
| off         | 35 cc         | 45 cc      |

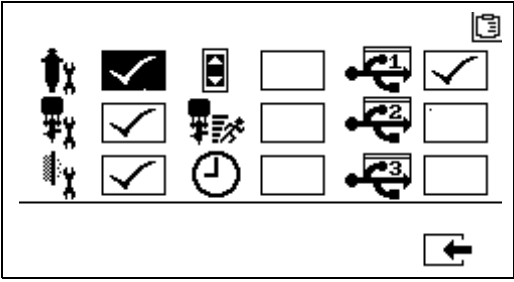
### Enable Setup 1

(Shown with factory default settings.)



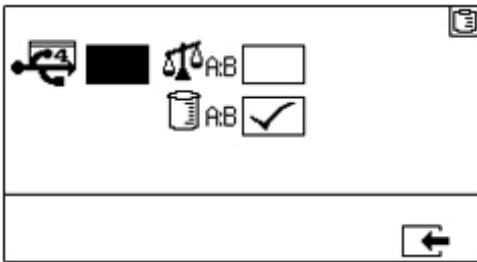
### Enable Setup 2

(Shown with factory default settings.)



### Enable Setup Screen 3

(Shown with factory default settings.)



**NOTE:** The machine will be shipped in Volume Mode.

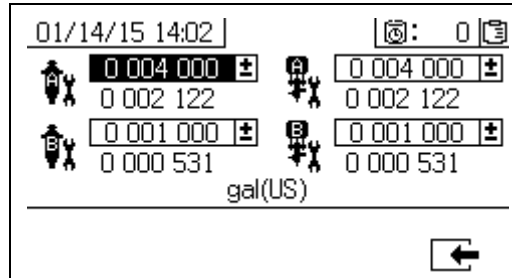
### Maintenance Setup Screens

The maintenance setup 1 screen enables users to set maintenance setpoint amounts for pumps and dosing valves. The maintenance setup 2 screen enables users to schedule the number of days between changing the main incoming air filter before a reminder advisory will sound.

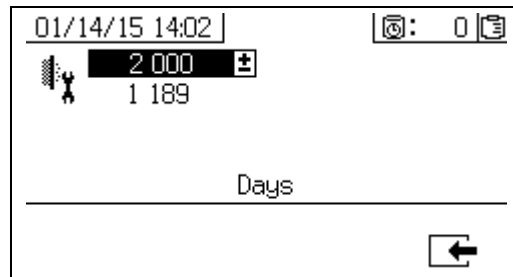
The number displayed below each selectable field indicates the amount of material dispensed, counting up to the setpoint requiring maintenance.

| Icon | Function   |
|------|--|
|      | Set amount of material moved through pump that will result in a maintenance warning.                   |
|      | Set amount of material moved through dosing valve that will result in a maintenance warning.           |
|      | Set number of days between changing the main incoming air filter before a reminder advisory is issued. |

### Maintenance Setup 1



### Maintenance Setup 2










## User Limits Setup Screens

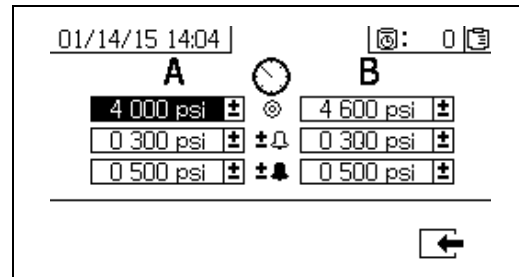
Use these screens to set and adjust pressure and temperature limits for both metering pumps, including limits that will issue advisories and alarms. Refer to the following table for details.

The allowable range for the temperature setpoint is 34° - 160°F (1° - 71°C). If the temperature or pressure setpoint is zero, pressure limits and alarms are disabled.


**NOTE:** The B metering pump pressure always runs 10-20% higher than the A metering pump pressure.

| Icon  | Function  |
|---|---|
|    | Set and adjust pressure limits for both metering pumps during spray mode.   |
|    | Set and adjust high and low temperature limits for both fluid heaters during spray mode.  |
|    | Set target pressure or temperature.   |
|    | Set and adjust limits above or below target value that if exceeded will issue an advisory. Used with pressure and temperature limits. |
|  | Set and adjust limits above and below target value that if exceeded will issue an alarm. Used with pressure and temperature limits.   |

## Process Pressure Limits (for spray mode)



01/14/15 14:04 | [🔍] 0 [📄]

**A**  **B**

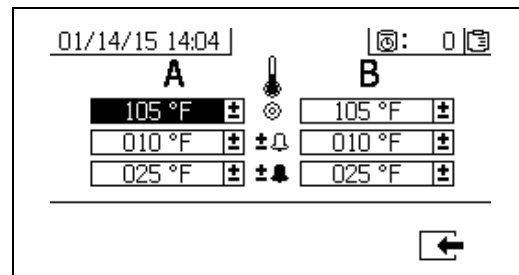
4 000 psi ± [🔍] 4 600 psi ± [🔍]

0 300 psi ± [🔍] ± [📉] 0 300 psi ± [🔍]


0 500 psi ± [🔍] ± [📈] 0 500 psi ± [🔍]

←

## Process Temperature Limits (for spray mode)



01/14/15 14:04 | [🔍] 0 [📄]

**A**  **B**

105 °F ± [🔍] 105 °F ± [🔍]

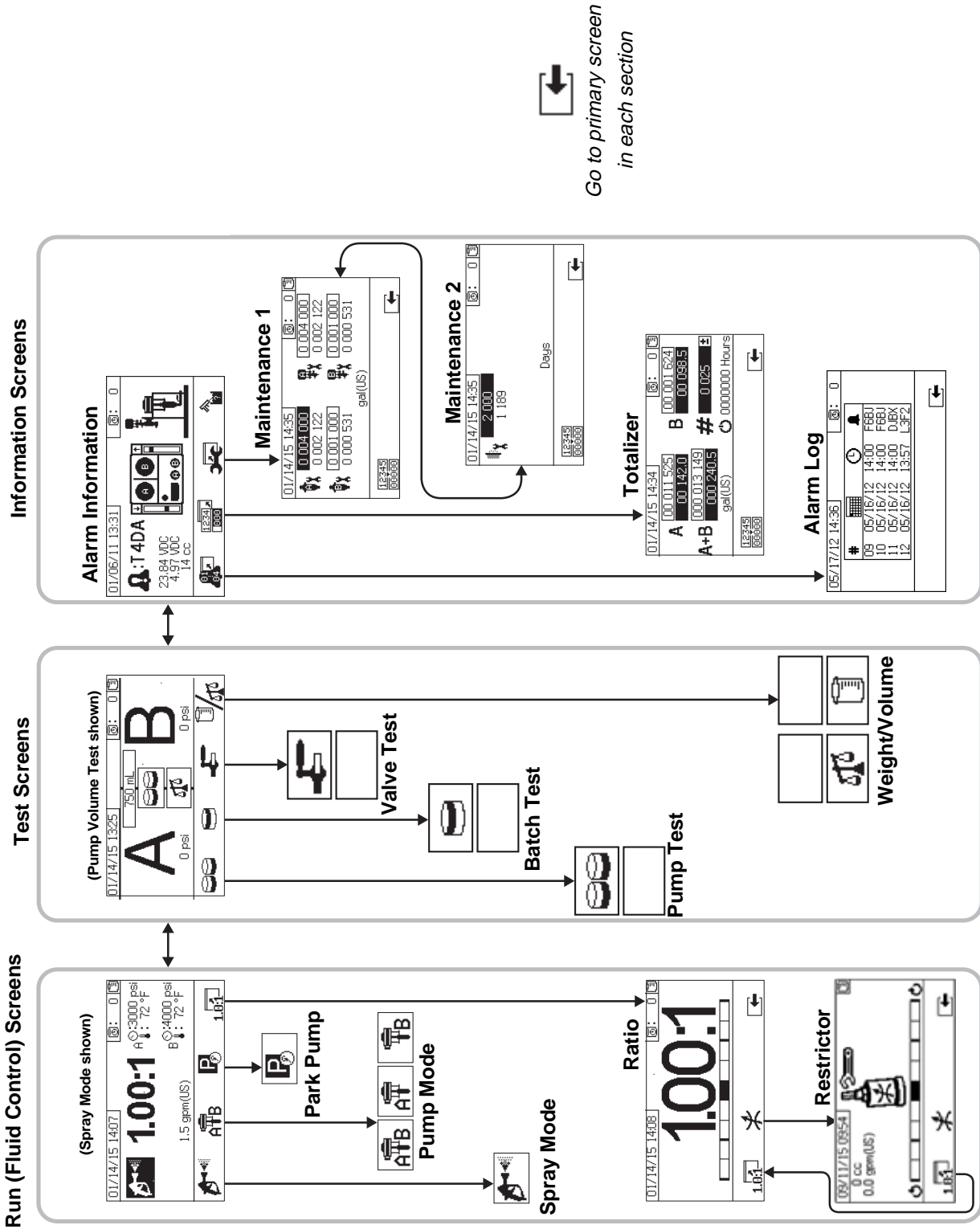
010 °F ± [🔍] ± [📉] 010 °F ± [🔍]

025 °F ± [🔍] ± [📈] 025 °F ± [🔍]

←

# Operator Command Mode Screens

Command mode screens are divided into three major sections: run (fluid control), test, and alarm control. The following figure demonstrates the flow of the Command mode screens beginning with the run (fluid control) screens.






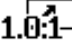


## Run (Fluid Control) Screens

Run (fluid control) is the first screen displayed at power on. It enables users to spray material, and operate and park pumps. Run consists of two screens: power on/enter and ratio mode.

The power on/enter screen cycles through power on mode, spray mode, and pump mode. It always displays the current ratio setpoint, and may also display: pressure, temperature and flow rate if these functions are selected.

The ratio screen displays the current ratio and monitors the B side restriction adjustment.

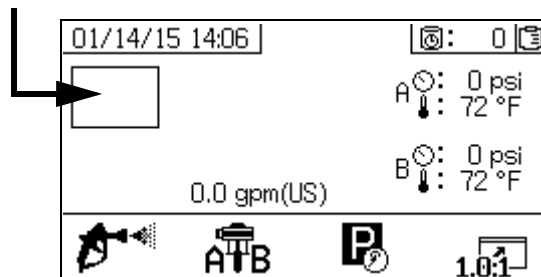
| Icon  | Function  |
|---|---|
|    | <i>Spray:</i> proportion and spray material.  |
|    | <i>Icon at bottom of screen:</i> Select which metering pumps are active. Press repeatedly to cycle through metering pump A, metering pump B, and both metering pumps.<br><i>Icon in rectangle:</i> Operate both metering pumps. |
|  | Operate the A metering pump only (priming, flushing).   |
|  | Operate the B metering pump only (priming, flushing).   |
|  | <i>Park Metering Pumps:</i> run metering pumps to bottom of the stroke.   |
|  | <i>Ratio:</i> jump to ratio screen.   |

### Power On/Enter Mode

Power On/Enter Mode is the default screen when users enter Fluid Control.

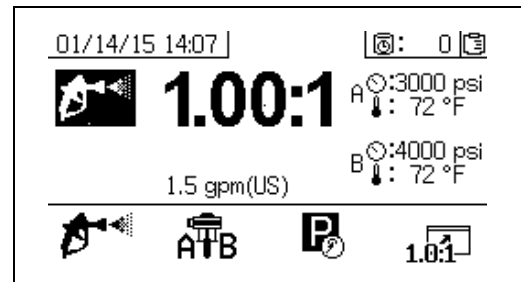
#### NOTE:

This screen remains blank until a mode is selected.



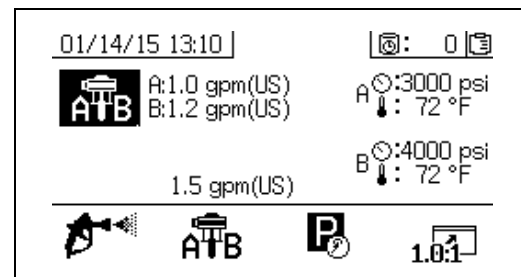
### Spray Mode

Users must be in this mode to spray or proportion material. Press the button below the spray icon to enter this mode.



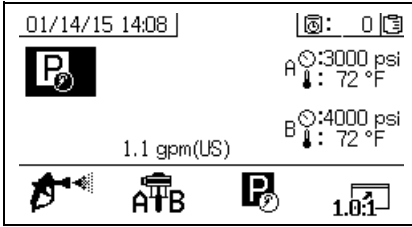
### Pump Mode

Users must be in this mode to operate pumps for priming or flushing. Press the button below the pump icon to enter this mode. Continue pressing the pump icon button to cycle through pump A, pump B, and both pumps.



### Park Mode

Users must be in this mode to park fluid rod pumps at the bottom of the stroke. Press the button below the park icon to enter this mode.



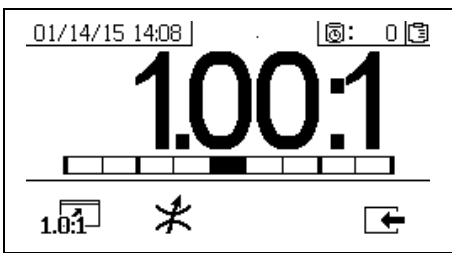
### Ratio Mode

Displays the current ratio or the restrictor screen. To access this screen, press . The bar graph indicates whether the B restriction adjustment should be turned clockwise or counter clockwise. See **Adjust B Machine Outlet Restriction**, page 33.

The ratio displayed is the weight ratio if the machine is in Ratio by Weight Mode. The ratio displayed is the volume ratio if the machine is in Ratio by Ratio Mode.

**NOTE:** If the **A:B** field is enabled on the Enable Setup screen, the Spray Mode screen will be replaced by the bar graph screen after 10 seconds of spray time.

Press to return to the Spray Mode screen.



### Restrictor Screen

| Icon | Function  |
|------|---|
|      | <i>Display Ratio:</i> show the accuracy of the fluid mix ratio.   |
|      | <i>Display Restrictor Adjust:</i> Adjust the restrictor to optimize the mix ratio. <ul style="list-style-type: none"> <li>At the maximum fluid flow, the bar should be in the center.</li> <li>At less than maximum flow, the bar should be on the right side.</li> </ul> |

### Test Screens

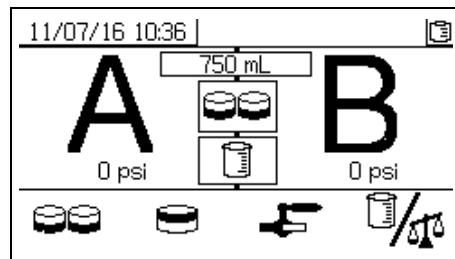
Test screens enable users to run batch dispense tests, pump tests, and down stream valve leak tests.

| Icon | Function  |
|------|---|
|      | <i>Pump Test:</i> dispenses 750cc of each A and B; verifies pump selection, operation, and metering. In system weight mode, this calibrates the system by entering weights. |
|      | <i>Batch Dispense:</i> dispenses proportioned amounts of A and B with a selectable total.   |
|      | <i>Down Stream Valve Leak Test:</i> test if valves after the dosing valves hold pressure.   |
|      | <i>Test Mode Selection:</i> Switch between volume and weight test mode.   |

### Pump Test/Calibrate

This screen enables users to dispense a fixed 750 ml volume of material from each pump. When the pump is active it flashes in black on the screen. When the pump completes dispensing it displays gray on the screen.

If the system ratio mode is by volume, pressing will allow the test to be run either by measuring volumes or weights. If system ratio mode is by weight, then the displaced materials must be measured by weight.



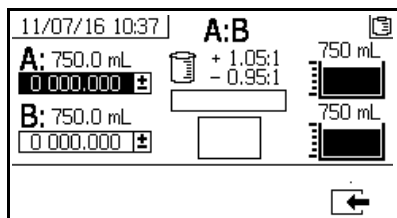
### Confirm Pump and Metering Test

This screen displays when the pump test completes without error. There are three variations that affect how the screen is used.

### Ratio by Volume Mode - Test by Volume

Enter the volumes of each dispensed material in the respective input boxes on this screen. If the calculated ratio is within the ratio tolerance set on the Setup Ratio Test screen, a check will appear in the box. The results are entered into the USB logs.

The target ratio by volume for this test is set on the **Setup Home** screen on page 56. The tolerance is set on the **Setup Ratio Test** screen on page 58.

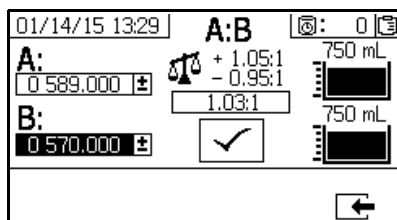


System Ratio Mode by Volume - Test by Volume

### Ratio by Volume Mode - Test by Weight

Enter the net weights of each dispensed material in the respective input boxes on this screen. If they are within the ratio tolerance set on the Setup Mode Ratio Test screen, a check will appear in the box. The results are entered into the USB logs.

The target ratio by weight for this test and tolerance is set on the **Setup Ratio Test** screen on page 58.



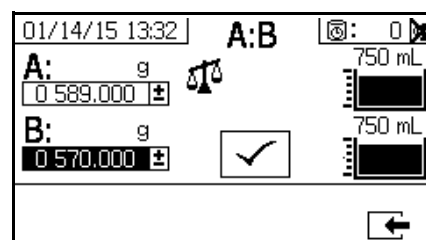
System Ratio Mode by Volume - Test by Weight

### Ratio by Weight Mode

This screen displays two boxes where the A and B sample weights are entered to calibrate the machine to run in Ratio by Weight Mode. The weights must be entered in grams.

The target ratio by weight for this test is set on the **Setup Home** screen on page 56. The tolerance is set on the **Setup Ratio Test** screen on page 58.

Once entered, a check will appear in the box. There will still be an X through the scale in the upper right corner until a Ratio Test is performed successfully.




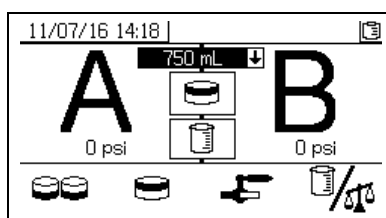
System Ratio Mode by Weight

### Batch Dispense or Ratio Test

This screen enables users to dispense a selected total volume of material on ratio. For example, 1000 ml at 4:1 = 800 ml of A + 200 ml of B. The total batch volume can be selected from the drop down menu.

When the pump is active it flashes in black on the screen. When the pump completes dispensing it displays in gray on the screen.

If the system ratio mode is by volume, pressing  will allow the test to be run either by measuring volumes or weights. If system ratio mode is by weight, then the displaced materials must be measured by weight.



### Confirm Batch Dispense Test

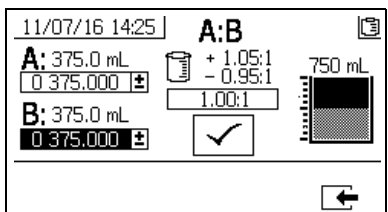
This screen displays when the batch dispense test completes without error. This screen displays the selected ratio between the pumps and the volume of material dispensed from each pump. The gray at the bottom of the beaker represents the volume of material dispensed by pump A. The black at the top of the beaker represents the volume of material dispensed by pump B.

There are three variations that affect how the screen is used:

#### Ratio by Volume Mode - Test by Volume

Enter the volumes of each dispensed material in the respective input boxes on this screen. If the calculated ratio is within the ratio tolerance set on the Setup Ratio Test screen, a check will appear in the box. The results are entered into the USB logs.

The target ratio by volume for this test is set on the **Setup Home** screen on page 56. The tolerance is set on the **Setup Ratio** screen on page 58.

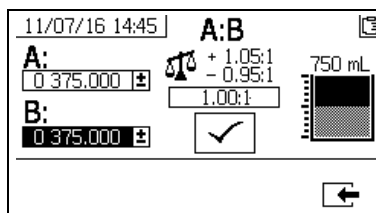


System Ratio Mode by Volume - Test by Volume

#### Ratio by Volume Mode - Test by Weight

Enter the weights of each dispensed material in the respective input boxes on this screen. If calculated ratio is within the ratio tolerance set on the **Setup Ratio Test** screen, a check will appear in the box. The results are entered into the USB logs.

The target ratio by weight for this test and tolerance is set on the **Setup Ratio Test** screen on page 58.

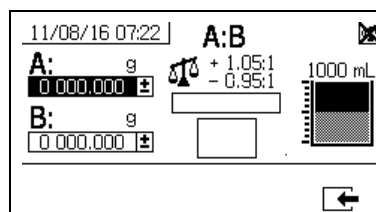


System Ratio Mode by Volume - Test by Weight

#### Ratio by Weight Mode

Enter the weights of each dispensed material in the respective input boxes on this screen. The weights must be entered in grams. If calculated ratio is within the ratio tolerance set on the **Setup Ratio Test** screen, a check will appear in the box. The results are entered into the USB logs.

The target ratio by weight for this test is set on the **Setup Home** screen on page 56. The tolerance is set on the **Setup Ratio Test** screen on page 58



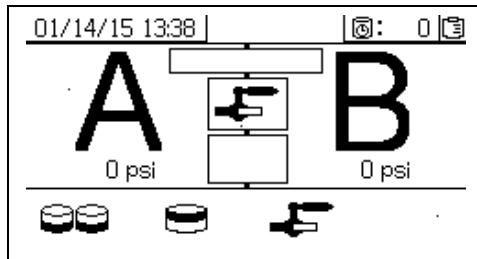
System Ratio Mode by Weight

### Down Stream Valve Leak Test

This screen enables users to test for closed or worn valves down stream of the A and B dosing control valves. It can be used to test the mix manifold shut-off/check valves or any remote circulation valves.

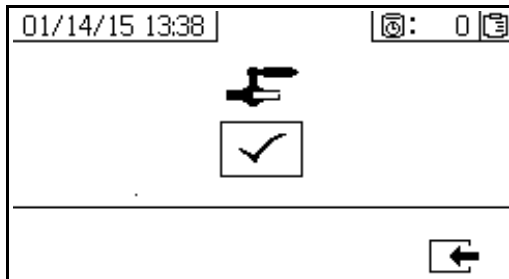
While running the test, if there is continuous pump movement on the A or B side, an error will be issued. The error indicates a leak in the valve.

There is no confirmation screen for this test. However, if the down stream valve leak test fails, an warning is issued to indicate the cause of the failure.



### Confirm Valve Leak Test


This screen displays when the valve leak test completes and indicates whether the test was successful.



### Information Screens

Use this screen to view diagnostic information, alarm logs, and pump batch and grand totals. These screens also enable users to view maintenance information for pump and check valves, including the maintenance schedule.

#### NOTE:

If the potlife timer is enabled the Flush Confirm icon,  displays.

### Alarm

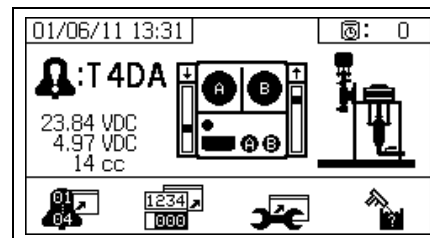
The Alarm screen displays the specific alarm code. There are two levels of error codes: alarms and advisories. A solid bell icon with an exclamation point and three audible alerts indicate a alarm. And an outlined hollow bell icon and a single audible alert indicate an advisory.

Additionally, this screen displays the location of the error with the top view and side view of the system. Refer to the following table and subsections for more details.

The first number below the alarm code is the main power supply voltage used by the electronic modules. The voltage should read between 23 VDC - 25 VDC for non-hazardous location systems, and 10-14 VDC for the hazardous location systems.

The second number below the alarm code is the power supply voltage used by the system sensors. This voltage should read between 4.9-5.1 VDC.

The third number below the alarm code is the A side pump dosing size. This value is displayed in volumes of cubic centimeters (cc) and is the volume pumped on the A side when the B side dosing valve is off. Optimizing the restriction of the system will keep this value small and ensure material is mixed well.



| Icon | Function  |
|------|---|
|      | Go to Alarm log. Use up and down arrows to scroll through list of the past 16 errors.   |
|      | Go to totalizer screen. Allows users to view the grand and batch totals for each pump and both pumps combined.                        |
|      | Go to maintenance screen. Allows user to view maintenance information but not make changes. See <b>Maintenance Setup 2</b> , page 60. |
|      | Flush confirm. Use when the potlife timer is enabled. Press button to confirm flush before a potlife advisory is issued.              |
|      | Amount of material moved through pump that will result in a maintenance warning.  |
|      | Amount of material moved through dosing valve that will result in a maintenance warning.  |
|      | Number of days between maintenance cycles that will result in a reminder advisory.  |
|      | Clear batch totalizers or maintenance counters.   |

### Alarm Log

View details regarding alarms received, including the date, time, and alarm code for the last 16 alarms. Up to four pages of alarms are available.

Press to access the alarm log. The press and to scroll through each page of alarms.

| #  | Date     | Time  | Code |
|----|----------|-------|------|
| 09 | 05/16/12 | 14:00 | F6BJ |
| 10 | 05/16/12 | 14:00 | F6BJ |
| 11 | 05/16/12 | 14:00 | DJBX |
| 12 | 05/16/12 | 13:57 | L3F2 |

### Totalizers and Job Number

Use this screen to view the grand and batch totals for each pump and both pumps combined. The units of measurement are displayed on the bottom of the screen and displayed in the units of measurement selected during setup.

Grand total is the amount of material the system has dispensed during its lifetime. Batch total is the amount of material dispensed since the last user reset.

A job number can be entered at the beginning of each spray job. This helps to organize the USB spray log.

### Clear Batch Totalizer

To clear the batch totalizer values for A, B, and A+B,

press to set all values to zero.




|                              |                          |
|------------------------------|--------------------------|
| 01/14/15 14:34               | 0: 0                     |
| A 00 011 525<br>00 142.0     | B 00 001 624<br>00 098.5 |
| A+B 000 013 149<br>000 240.5 | # 0 025                  |
| gal(US)                      | 0000000 Hours            |
|                              |                          |

| Icon | Function   |
|------|--|
|      | Displays batch total and grand total for pump A. The grand total is displayed at the top, and the batch total is displayed at the bottom.              |
|      | Displays batch total and grand total for pump B. The grand total is displayed at the top, and the batch total is displayed at the bottom.              |
|      | Displays batch total and grand total for both pumps combined. The grand total is displayed at the top, and the batch total is displayed at the bottom. |
|      | Displays job number for each spray period.   |
|      | Number of hours system has been running  |

### Change Job Number

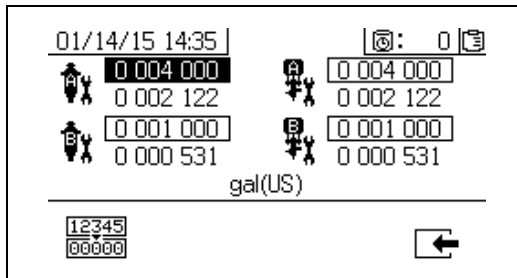
- Press to highlight the first digit. Press and to change the number and and



 to move to the next digit. Press  to save the number or  to cancel.

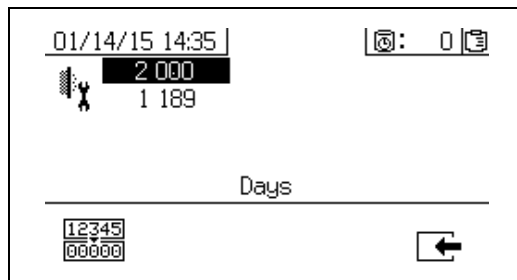
### Maintenance 1 Screen

View setpoints for the amount of material that needs to move through both pumps and dosing valves that will result in a maintenance warning.






### Maintenance 2 Screen

View number of days between changing the main incoming air filter before a reminder advisory is issued.








### Reset Maintenance Counter

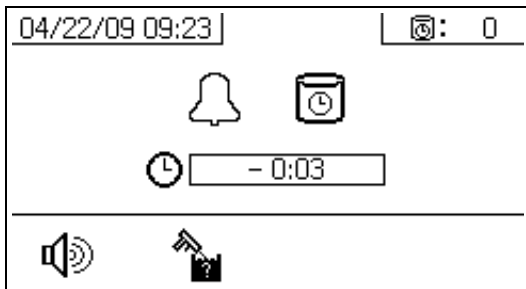
1. Press  and  to scroll through and select the maintenance field to reset.
2. Press  to reset the maintenance counter to zero.

## Automatically Displayed Screens

### Potlife Screen

The potlife screen automatically displays when a potlife advisory occurs. The screen automatically closes when the advisory end or the user presses the flush confirm button. Refer to the following table for more details.

| Icon  | Function   |
|---|--|
|  | Advisory has been issued.  |
|  | Potlife timer is enabled.  |
|  | Time after potlife expires. Starts at 0.00 and counts down in negative one minute intervals. |
|  | Press to mute advisory buzzer.   |
|  | Press to confirm that mixed hose has been flushed. Resets potlife timer.                     |










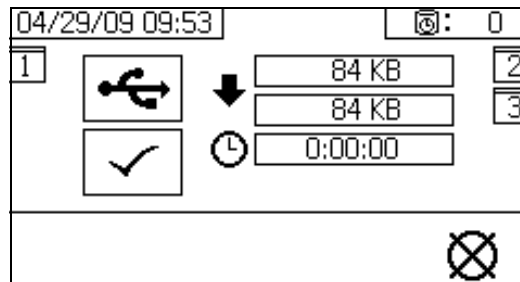
### USB Screen

The USB screen automatically displays and the selected log(s) automatically starts downloading when the USB flash drive is inserted into the control box.

Inserting the USB flash drive while the sprayer is running automatically stops sprayer operation. Removing the USB flash drive automatically closes the USB screen.

The log selected for current download is displayed in the single box next to the USB icon. The other available logs are displayed in the boxes on the right side of the screen. Refer to the following table for more details.

| Icon  | Function  |
|---|---|
|    | Flashes while data download is in process.                                      |
|    | Check mark appears after download completes. Indicates download was successful. |
|  | If download was not successful, appears.  |
|    | Displays total memory to download and remaining memory left to download.        |
|    | Displays time remaining for log download to complete.                           |
|    | Press to cancel download. If download is cancelled, remove USB flash drive.     |
|    | Indicates which log(s) is being downloaded.                                     |



### Recommended USB Flash Drives

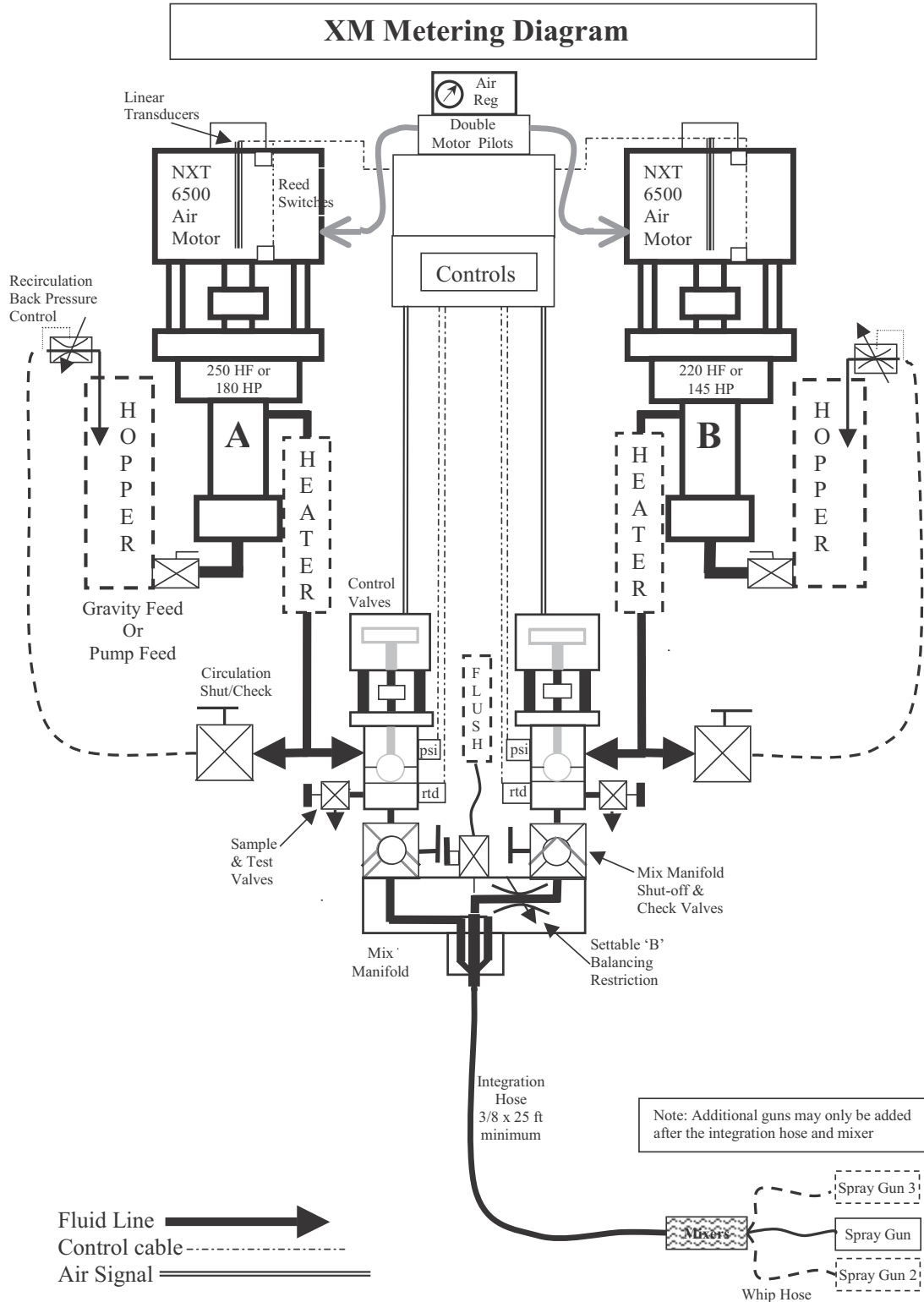
It is recommended that users use the USB flash drive (16A004) included with the XM sprayer for data download. However, the following USB flash drives can also be used, but are not available through Graco.

- Crucial Gizmo!™ 4GB USB flash drive (model JDO4GB-730)
- Transcend JetFlash® V30 4GB USB flash drive (model TS4GJFV30)

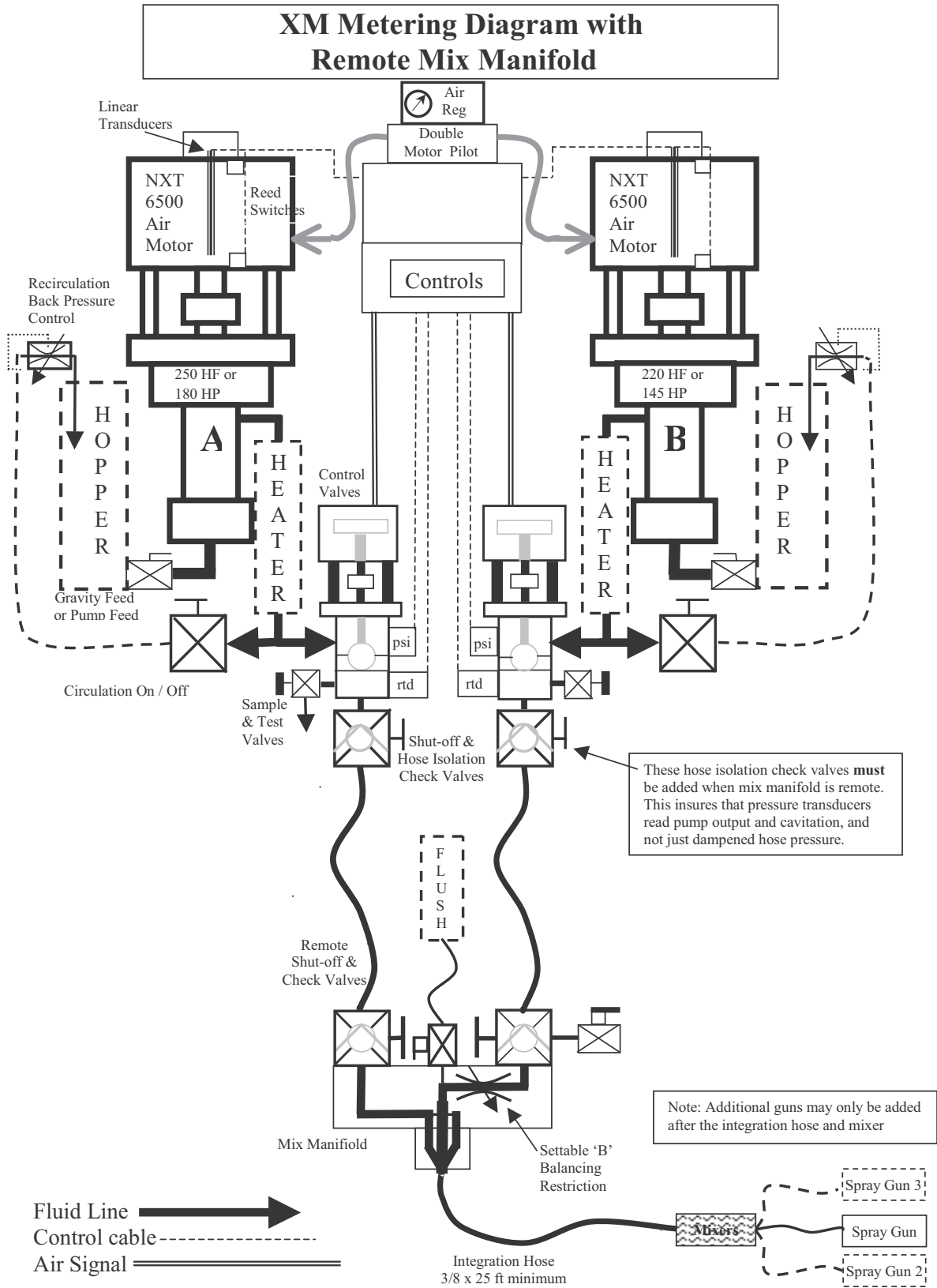
# Appendix B

## Metering Diagrams

### Metering Diagram without Remote Mix Manifold



### Metering Diagram with Remote Mix Manifold



# Appendix C

## Power Cord Guidelines

Use the guidelines listed in the following table to determine the power cord needed for your specific system.

**Table 3: Power Cord Guidelines**

|  | XM_A (00, 11, 13, 21, 23, 30-32) | XM_A (14-19, 24-29)                                | XM_B (all)                                       | XM_C (all)   | XM_D (00, 11, 13, 21, 23, 30-32) | XM_D (17, 19, 27, 29)  | XM_E (all)   |
|--|----------------------------------|--|--|--|----------------------------------|--|--|
| <b>Power Supply</b>                                | wall                             | wall   | wall; junction box                               | wall   | alternator                       | alternator   | alternator   |
| <b>Viscon HP Fluid Heaters</b>                     | N/A                              | N/A  | 2 heaters  | 2 heaters  | N/A                              | N/A  | 2 heaters  |
| <b>Configuration Options:</b>                      |                                  |  |  |  |                                  |  |  |
| <b>Controls</b>                                    | 1 A, 120 Vac                     | 1 A, 120/240 Vac                                   | 1 A, 240 Vac                                     | 1 A, 240 Vac                                       | N/A                              | N/A  | N/A  |
| <b>Viscon HP (2)</b>                               | N/A                              | N/A  | 32 A at 240 Vac, 1 PH                            | 32 A at 240 Vac, 1 PH                              | N/A                              | N/A  | 32 A at 240 V, 1 PH (wired by user with explosion proof methods) |
| <b>Hopper Immersion Heaters (2)</b>                | N/A                              | 13 A at 240 V, 1 PH                                | 13 A at 240 V, 1 PH                              | 13 A at 240 V, 1 PH                                | N/A                              | N/A  | N/A  |
| <b>Viscon HP with Heat Circulation (1)</b>         | N/A                              | 16 A at 240 V, 1 PH◆<br>or<br>15 A at 240 V, 1 PH◆ | 16 A at 240 V, 1 PH<br>or<br>15 A at 240 V, 1 PH | 16 A at 240 V, 1 PH◆<br>or<br>15 A at 240 V, 1 PH◆ | N/A                              | 16 A at 240 V, 1 PH (wired by user with explosion proof methods) | 16 A at 240 V, 1 PH (wired by user with explosion proof methods) |
| <b>Electric Hose Control (1)</b>                   | N/A                              |  |  |  | N/A                              |  |  |
| <b>* Full Load Peak Amperes at 240 V, 1 Phase</b>  | 1 A                              | 30 A   | 62 A   | 62 A   | 0 A (air only)                   | 16 A   | 48 A   |
| <b>Cord Specification AWG (mm<sup>2</sup>) at:</b> |                                  |  |  |  |                                  |  |  |
| <b>240 V, 1 PH</b>                                 | N/A                              | ◆  | 4 (21.2)<br>2 wire + ground                      | ◆  | N/A                              | N/A  | N/A  |
| <b>240 V, 3 PH</b>                                 |                                  |  | 6 (13.3)<br>3 wire + ground                      |  |                                  |  |  |
| <b>380 V, 3 PH</b>                                 |                                  |  | 6 (13.3)<br>4 wire + ground                      |  |                                  |  |  |

◆ *Wired by user if ordered. Cord size determined by user.*

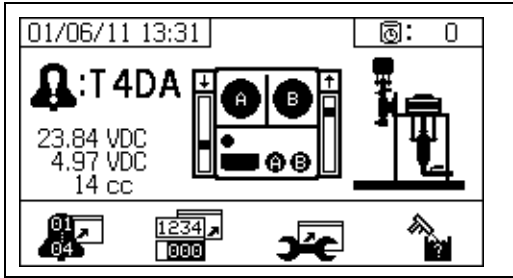
\* *Full load amperes with all components operating at maximum capabilities. Fuse requirements for various flow rates and heater temperature settings may be less.*

# Appendix D

## Alarms

### View Alarms

When an alarm occurs the alarm information screen automatically displays. It shows the current alarm code along with a bell icon. It also shows the alarm location with top and side views of the sprayer.



There are two levels of alarms: warnings and advisories. A bell icon indicates an alarm. A solid bell icon with an exclamation point and three audible alerts indicate a warning. And an outlined hollow bell icon and a single audible alert indicate an advisory.

Advisories are notifications that require attention but not immediately. Alarms require immediate correction; therefore, sprayer operation automatically stops.

This screen also shows diagnostic information. There are three lines of data on the left side. The top line shows the power supply. This should be:

- Non-Hazardous PFP: 23-25 Volts
- Hazardous PFP: 10-14 Volts

The middle line shows the voltage supplied to all sensors connected to the Advanced Fluid Control Module. This should be between 4.9-5.1 Volts.

The third line shows the A side pump dosing size. This value is displayed in volumes of cubic centimeters (cc) and is the volume pumped on the A side when the B side dosing valve is off. Optimizing the restriction of the system will keep this value small and ensure the material is mixed well.

The center of the screen shows linear sensor vertical bar graphs and reed switch information. The A side information is on the left and the B side information is on the right. Linear sensor position is displayed on the bar graph that goes up and down when the pump moves. This bar graph should move from top to bottom to match each pump stroke.

The state of the two reed switches in each air motor are shown with the arrow above each vertical bar graph.

| Icon | Function                             |
|------|--------------------------------------|
|      | Moving up                            |
|      | Moving down                          |
|      | Top changeover                       |
|      | Bottom changeover                    |
|      | One reed switch signal is missing    |
|      | Blank: No reed switch signal - error |

### Diagnose Alarms

See **Alarm Codes and Troubleshooting** for causes and solutions to each alarm code.

### Clear Alarms

Press to clear alarms and advisories. From the alarm information screen, press to return to the run (fluid control) screen.

## Alarm Codes and Troubleshooting

**NOTE:** See XM Plural-Component Sprayers Repair-Parts manuals for non-alarm based troubleshooting.

| Alarm Code   | Alarm Problem  | When Active                 | Cause   | Solution   |
|--------------|--|-----------------------------|---|--|
| DAAX<br>DABX | Pump runaway, above 80 cpm for 10 sec.                         | Always                      | No material in pump or lines; no fluid restriction.   | Refill material in tank or hoses; install fluid tip.   |
| DDAX<br>DDBX | Pump cavitation; dives more than 1/2 of stroke.                | Spray                       | No fluid or valve closed.   | Refill supply and open inlet valve.  |
|              |  |                             | Material is too cold or thick.  | Increase material temperature to reduce viscosity. See <b>Heat Fluid</b> , page 31. Shear material with agitation to reduce viscosity. |
|              |  |                             | Pump inlet check valve not closing.   | Clear debris from check valve. Or replace ball, seat, and seal.  |
|              |  |                             | Feed pump not providing material.   | Check feed pump (if used).   |
|              |  |                             | Inlet strainer plugged (if used).   | Check and clean strainer. See manual 313289.   |
| F7AX<br>F7BX | System Detects Unexpected Pump Movement (Fluid Flow).          | Spray                       | Recirculation valve or dosing valve open or leaking for more than five seconds.   | Close or repair recirculation valve, and run Pump Test. See <b>Pump and Metering Test</b> , page 40.                                   |
| F8RX         | No movement occurred in circulation mode                       | Circulation                 | Pump did not move for 5 seconds while in circulation. User may have attempted to spray in circulation mode.             | Use spray mode for spraying.   |
| P1AX<br>P1BX | Pressure low.  | Spray, Pump Test, Leak Test | Fluid pressure is below 1000 psi (7 MPa, 70 bar) for spray mode, or below 1500 psi (10.3 MPa, 103 bar) for test modes). | Increase main air regulator.   |
| P4AX<br>P4BX | Pressure high.   | Always                      | Fluid pressure is above maximum.  | Decrease main air regulator.   |
| P4RE         | Pressure high.   | Recirculation               | Pressure is above maximum advisory limit of 3000 psi (21 MPa, 210 bar) on A side.                                       | Decrease pump air regulator pressure.  |
| P5RE         | Pressure high.   | Recirculation               | Pressure is above maximum warning limit of 5200 psi (35.9 MPa, 359 bar) on A side.                                      | Decrease pump air regulator pressure.  |
| P9AX         | A pump pressure is abnormally low compared to B pump pressure. | Spray                       | A air motor is icing up causing restriction and lower fluid pressure.   | Open the air motor de-ice bleed air controls. Allow ice to melt. Dry compressed air. Heat compressed air.<br>Use a smaller tip.        |
|              |  |                             | A pump is binding.  | Repair lower. See manual 313289.   |
|              |  |                             | A motor is hanging up.  | Repair air motor. See manual 313289.   |

| Alarm Code | Alarm Problem   | When Active | Cause   | Solution  |
|------------|---|-------------|---|---|
| P9BX       | B pump pressure is abnormally low compared to A pump pressure.        | Spray       | B air motor is icing up causing restriction and lower fluid pressure.       | Open the air motor de-ice bleed air controls. Allow ice to melt. Dry compressed air. Heat compressed air.<br>Use a smaller tip. |
|            |   |             | B pump is binding.  | Repair lower. See manual 313289.  |
| QDAE       | Dosing size A alarm   | Spray       | The fluid dosing size is greater than 45 cc when fast dosing is turned off. | Adjust the B side fluid restriction. See <b>Adjust B Machine Outlet Restriction</b> , page 33.                                  |
|            |   |             | The fluid dosing size is greater than 30 cc when fast dosing is turned on.  | Decrease the air motor velocity with a smaller tip.   |
| QTAE       | Dosing size A advisory  | Spray       | The fluid dosing size is greater than 35 cc when fast dosing is turned off. | Adjust the B side fluid restriction. See <b>Adjust B Machine Outlet Restriction</b> , page 33.                                  |
|            |   |             | The fluid dosing size is greater than 20 cc when fast dosing is turned on.  | Decrease the air motor velocity with a smaller tip.   |
| R1BE       | Ratio Low B (under dose B); system delivering not enough B component. | Spray       | B dosing valve will not open.   | Check for air signal to valve.  |
|            |   |             | B mix manifold valve closed.  | Open green mix manifold valve.  |
|            |   |             | Pump filter plugged on B side.  | Use alternate 30 mesh screen. See manual 311762 for part number.  |
|            |   |             |   | Clean B pump outlet filter. See manual 311762.  |



| Alarm Code                                 | Alarm Problem   | When Active       | Cause   | Solution   |
|--|---|-------------------|---|--|
| R4BE                                       | Ratio High B (Overdose B), system delivering too much B component.  | Spray             | B Dosing valve not closing.   | Perform Pump Test to test for leakage. See <b>Pump and Metering Test</b> , page 40.  |
|  |   |                   |   | Loosen valve packing nut. See manual 313289.   |
|  |   |                   |   | Check air signal at valve top  |
|  |   |                   |   | Repair valve or air solenoid. See manual 313289.   |
|  |   |                   | No B restriction at mix manifold.   | Increase B Restriction by turning B restrictor stem clockwise. See <b>Adjust B Machine Outlet Restriction</b> , page 33.   |
|  |   |                   | Pump filter plugged on A side.  | Clean filter. See manual 311762.<br>Use alternate 30 mesh screen. See manual 311762 for part number.   |
|  |   |                   | Inlet air dropping below 80 psi (0.55 MPa, 5.5 bar) while spraying. B dosing valve not closing correctly. | Check air filters. See manual 313289.<br>Use larger air hose.<br>Use larger compressor.<br>Use smaller gun tips or less guns to reduce flow rate.  |
|  |   |                   |   |  |
|  |   |                   |   |  |
|  |   |                   | Solenoid air regulator set below 80 psi (0.55 MPa, 5.5 bar)   | Adjust air regulator.  |
| R5BE                                       | Dosing sizes are not optimized.   | Spray             | Dosing valve is operating near high or low timing limits.   | Adjust mix manifold B restrictor stem clockwise or counter clockwise as indicated by bar graph on restrictor screen. See <b>Adjust B Machine Outlet Restriction</b> , page 33.                   |
| R5DX                                       | Uncalibrated system in Weight Mode  | Spray             | System was not calibrated.  | Run the <b>Pump and Metering Test</b> , page 40, and <b>Batch Dispense or Ratio Test</b> , page 43 to calibrate system for weight mode. Run system in volume mode.<br>Run system in volume mode. |
| R9BE                                       | System detected five R4BE (ratio high B) or five R1BE (ratio low B) alarms within five minutes. Sprayer shuts down for five minutes to resolve problem. | Spray             | See R4BE or R1BE alarm causes.  | See R4BE or R1BE alarm solutions. Flush mixed material if necessary, and purge off-ratio mixed material in hose.   |
| <b>Pump Test (Daily Check Recommended)</b> |   |                   |   |  |
| DEAX<br>DEBX                               | Pump does not move in 10 minutes.   | Park or Pump Test | Recirculation valves were not opened to allow flow.   | Open recirculation valves.   |

| Alarm Code                             | Alarm Problem  | When Active | Cause   | Solution   |
|--|--|-------------|---|--|
| DFAX<br>DFBX                           | Pump did not stall against fluid pressure on up stroke only.               | Pump Test   | Pump piston check valve, piston packings, or dosing valve are not holding fluid pressure. | Flush pump. See <b>Empty and Flush Entire System (new sprayer or end of job)</b> , page 45. Recheck. Remove, clean, and repair lower. See manual 313289. |
| DGAX<br>DGBX                           | Pump did not stall against fluid pressure on down stroke only.             | Pump Test   | Pump inlet check or dose valve is fouled, or damaged.                                     | Remove inlet housing & clean and inspect.<br><br>See manual 313289.  |
| <b>General System Component Alarms</b> |  |             |   |  |
| CACP                                   | Display has no signal.   | Always      | No display communication signal.  | Check cable connections.<br>Replace display.<br>See manual 313289.   |
|  |  |             | Machine powered down in spray mode.   | Press stop button before turning off power.  |
| DJAX<br>DJBX                           | Pump motor linear sensor has no signal.                                    | Always      | No linear sensor signal from motor.   | Swap A and B sensors.<br>Replace sensor if problem follows sensor. See manual 313289.  |
|  |  |             | Linear sensor plugged in while power is on.   | Power sprayer off and back on.<br>Do not plug in linear sensor while power is on.  |
|  |  |             | Bad connection inside fluid control module.   | Replace fluid control module.<br>See manual 313289.  |
|  | Pump motor linear sensor is out of range.                                  | Always      | Linear sensor is beyond range.  | Replace sensor or sensor magnet. See manual 313289.  |
|  |  |             | Sprayer is not properly grounded.   | See <b>Grounding</b> , page 11.  |
| DKAX<br>DKBX                           | Pump motor reed switch failure; missing signals from one or both switches. | Always      | Bad motor cable connections, or bad reed switch.  | Swap A and B motor cables.<br>Replace cable if problem persists. Otherwise replace reed sensor assembly. See manual 313289.                              |
|  |  |             | Reed switch cable is plugged in while power is on.  | Power sprayer off and back on.<br>Do not plug in reed switch cable while power is on.  |
|  |  |             | Bad connection inside fluid control module.   | Replace fluid control module.<br>See manual 313289.  |
| F6AK                                   | A air motor reed switch signal missing advisory.                           | Always      | Reed switch does not see the air motor magnet.  | Replace air motor reed switch magnet.  |
|  |  |             | Reed switches are bad.  | Replace air motor reed switch.<br>Prevent air motor icing. See advisory P9A and P9B.   |
|  |  |             | Air motor is icing up.  |  |
| F6BK                                   | B air motor reed switch signal missing advisory.                           | Always      | Reed switch does not see the air motor magnet.  | Replace air motor reed switch magnet.  |
|  |  |             | Reed switches are bad.  | Replace air motor reed switch.<br>Prevent air motor icing. See advisory P9A and P9B.   |
|  |  |             | Air motor is icing up.  |  |
| F6AJ                                   | A air motor linear sensor jump advisory.                                   | Always      | System ran out of fluid.  | Add fluid to the system.   |
|  |  |             | Linear sensor is bad.   | Replace linear sensor.   |

| <b>Alarm Code</b>                                  | <b>Alarm Problem</b>                     | <b>When Active</b> | <b>Cause</b>   | <b>Solution</b>  |
|--|--|--------------------|--|--|
| F6BJ   | B air motor linear sensor jump advisory. | Always             | System ran out of fluid.   | Add fluid to the system.   |
|  |  |                    | Linear sensor is bad.  | Replace linear sensor.   |
| P6AX<br>P6BX                                       | Pressure sensor failure; no signal.      | Always             | Pressure sensor or cable is bad on the side indicated.               | Replace sensor and cable assembly. See manual 313289.                              |
| V2MX   | Voltage low control.                     | Always             | Voltage dropping below 9 Vdc from power supply.                      | Change air filter in control filter regulator. See manual 313289.                  |
|  |  |                    |  | Check the pressure setting is 18 psi (0.13 MPa, 1.3 bar) on turbine air regulator. |
|  |  |                    | Turbine not spinning with air on.                                    | Replace air turbine cartridge. See manual 313289.                                  |
| <b>Optional User-Settable Maintenance Warnings</b> |  |                    |  |  |
| *MAAX<br>*MABX                                     | Maintain pump.                           | Always, if enabled | Pump usage exceeds user-set limit. Maintenance due.                  | Service pump. See manual 313289.   |
| *MEAX<br>*MEBX                                     | Maintain dosing valve.                   | Always, if enabled | Dosing valve usage exceeds user-set limit. Maintenance due.          | Service dosing valve. See manual 313289.   |
| *MGPX  | Maintain air filter.                     | Always, if enabled | Air filter exceeds user-set limit. Maintenance due.                  | Service main air filter and control filter regulator. See manual 313289.           |
| *P5AX<br>*P5BX                                     | Pressure exceeded alarm limits.          | Spray              | Pressure exceeded high or low alarm limits for more than 15 seconds. | Adjust pump pressure regulator, change tips, or adjust target set point.           |

| Alarm Code                          | Alarm Problem   | When Active | Cause  | Solution   |
|-------------------------------------|---|-------------|--|--|
| Optional User-Settable Spray Limits |   |             |  |  |
| *P2AX<br>P2BX                       | Pressure exceeded advisory limits.                                      | Spray       | Pressure exceeded high or low advisory limits for more than 15 seconds.  | Same as P5A or P5B above.  |
| *QPDX                               | Pot life timer expired. Mixed fluid will cure in hoses, mixer, and gun. | Spray       | Have not sprayed enough volume to keep fresh mixed fluid in the integration hose, mixer, whip hose, and spray gun. | Spray fluid, or flush. Resets when you leave spray mode. See <b>Spray</b> , page 32, or <b>Flush Mixed Material</b> , page 36.   |
| *T2DA<br>T2DB                       | Temperature exceeded advisory limits.                                   | Spray       | Fluid temperature exceeded high or low limits for more than four minutes.  | Same as T5A or T5B above.  |
| *T5DA<br>T5DB                       | Temperature exceeded alarm limits.                                      | Spray       | Fluid temperature exceeded high or low alarm limits for more than four minutes.                                    | <p>If fluid temperature is too low, return to circulation mode to increase fluid temperature. Adjust heater set point if needed. See <b>Heat Fluid</b>, page 31.</p> <p>If fluid temperature is too high, lower heater set point, and return circulation mode to cool. See <b>Heat Fluid</b>, page 31.</p> <p>Adjust temperature target set-point. See <b>Heat Fluid</b>, page 31.</p> |

## Possible Alarms by Mode

The following table outlines the alarms that you may receive while operating the system. The alarms are categorized according to each mode.

| Mode   | Control Logic   | Alarms                             |
|--|---|------------------------------------|
| Spray  | Dosing valves close for startup test; green light blinks.   | --                                 |
|  | If fluid pressure is under 1000 psi (7 MPa, 70 bar), STOP.  | P1AX                               |
|  | If pumps move (indicating internal leakage), STOP.  | F7AX, F7BX                         |
|  | If fluid pressure is more than 103% of allowed maximum, air motor shuts off until fluid pressure drops. | None                               |
|  | If is pressure more than 110% of allowed maximum, STOP.   | P4BX                               |
|  | Dosing valve A opens, and dosing valve B cycles to maintain ratio.                                      | --                                 |
|  | A and B blue lights illuminate when dosing valves are operating.  | --                                 |
|  | If there is not enough B component to hold ratio, dosing valve A closes momentarily.                    | R5BE                               |
|  | If A or B component is more than 5% off ratio setpoint, STOP.   | R1BE, R4BE                         |
|  | If A dose size is too large, STOP.  | QDAE                               |
|  | A and B dosing valves close momentarily at each pump changeover.  | --                                 |
|  | Spray mode turned on with system in Weight Mode and uncalibrated.                                       | R5DX                               |
| Park   | Both dosing valves open; A and B blue lights turn on.   | --                                 |
|  | User opens circulation valves or sprays gun. When pump reaches bottom stroke the blue light turns off.  | --                                 |
|  | If park does not complete in 10 minutes, turn off air to both motors.                                   | DEAX, DEBX                         |
| Circulation  | A and/or B dosing valves close and motor air turns on.  | --                                 |
|  | If fluid pressure exceeds 3000 psi (21.0 MPa, 210 bar) on the A pump, receive yellow light advisory.    | P4AX                               |
|  | If fluid pressure exceeds 5600 psi (39.2 MPa, 392 bar) on the A pump, STOP.                             | P4AX                               |
|  | If no movement in 10 minutes, turn off air to both motors.  | DEAX, DEBX                         |
|  | Pump did not move for 5 seconds while in circulation mode.  | F8RX                               |
| Pump Test  | Both dosing valves close; green light blinks.   | --                                 |
|  | If fluid pressure is under 1000 psi (7.0 MPa, 70 bar), STOP.  | P1AX, P1BX                         |
|  | If pumps move (indicating leakage) STOP.  | F7AX, F7BX                         |
|  | Turn on A blue light, open A dosing valve, user opens sampling valve.                                   | --                                 |
|  | Close A dosing valve on upstroke; check for no movement.  | DFAX                               |
|  | Close A dose valve on down stroke; check for no movement.   | DGAX                               |
|  | Open A dose valve and dispense total of 750 ml material, close valve, turn off blue light.              | --                                 |
|  | Repeat for B side.  | DFBX, DGBX                         |
|  | If both pumps pass pump test, display shows two beakers of 750ml each.                                  | --                                 |
|  | Batch Dispense Test   | User selects total volume desired. |
| Open A dosing valve, turn on blue light, user opens sampling valve, turn off blue light when complete. |   | --                                 |
| Open B dosing valve, turn on blue light, user opens sampling valve, turn off blue light when complete. |   | --                                 |
| Display shows volume of A and B components at end of batch dispense test.                              |   | --                                 |
| Valve Test   | If fluid pressure is not 1000 psi (7 MPa, 70 bar), STOP.  | P1AX, P1BX                         |
|  | Check for no movement of pumps (stall within 10 seconds).   | F7AX, F7BX                         |

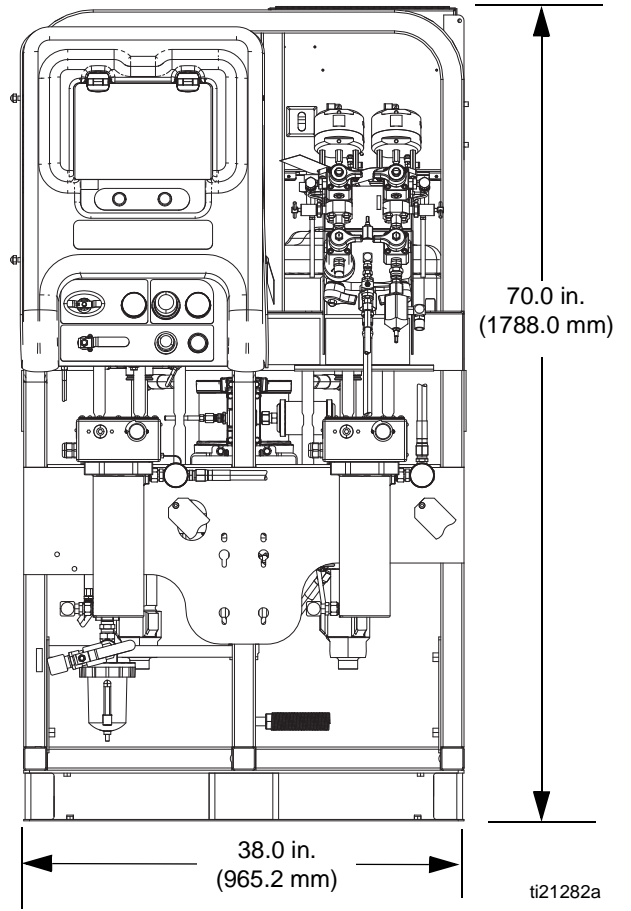
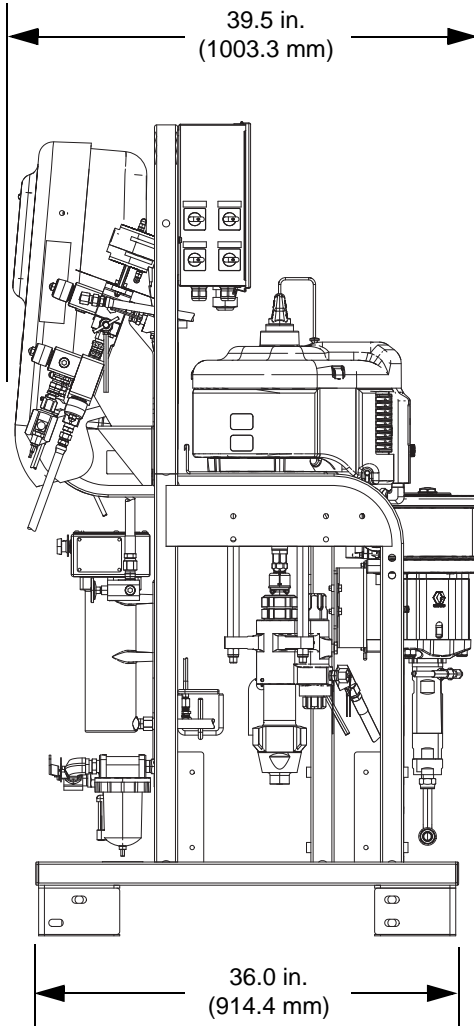
## Alarm And Advisory Code Key

Use the following table as a quick guide to determine alarm codes.

| EVENT |               | MODE |                           | LOCATION |                  | ZONE |                |
|-------|---------------|------|---------------------------|----------|------------------|------|----------------|
| A     | Current       | 1    | Low Alarm                 | A        | Material A       | 1    | Tank A         |
| F     | Flow          | 2    | Low Deviation             | B        | Material B       | 2    | Tank B         |
| L     | Tank Level    | 3    | High Deviation            | C        | Controller       | A    | Heater A       |
| P     | Pressure      | 4    | High Alarm                | D        | Output Discharge | B    | Heater B       |
| R     | Ratio         | 5    | Calibration               | F        | Input Feed       | C    | Level Sensor A |
| T     | Temperature   | 6    | Sensor Failure            | M        | Pneumatic Supply | D    | Level Sensor B |
| V     | Voltage       | 7    | Unexpected Non-Zero Value | P        | Pneumatic Supply | E    | Hose           |
|       |               | 8    | Unexpected Zero Value     | R        | Recirculation    | H    | Heater Hose    |
|       |               | 9    | Unstable                  |          |                  | J    | Linear Sensor  |
| C     | Communication | A    | Loss                      |          |                  | K    | Reed Switch    |
| D     | Pump          | A    | Runaway                   |          |                  | P    | Display        |
|       |               | D    | Cavitation                |          |                  | X    | System         |
|       |               | E    | Time-out                  |          |                  |      |                |
|       |               | F    | Stall Up                  |          |                  |      |                |
|       |               | G    | Stall Down                |          |                  |      |                |
|       |               | J    | Linear Sensor             |          |                  |      |                |
|       |               | K    | Reed Switch               |          |                  |      |                |
| M     | Maintenance   | A    | Pump                      |          |                  |      |                |
|       |               | E    | Valve                     |          |                  |      |                |
|       |               | G    | Filter                    |          |                  |      |                |
| Q     | Proportioning | D    | Overdose                  |          |                  |      |                |
|       |               | P    | Potlife                   |          |                  |      |                |
|       |               | T    | Dosing Time               |          |                  |      |                |

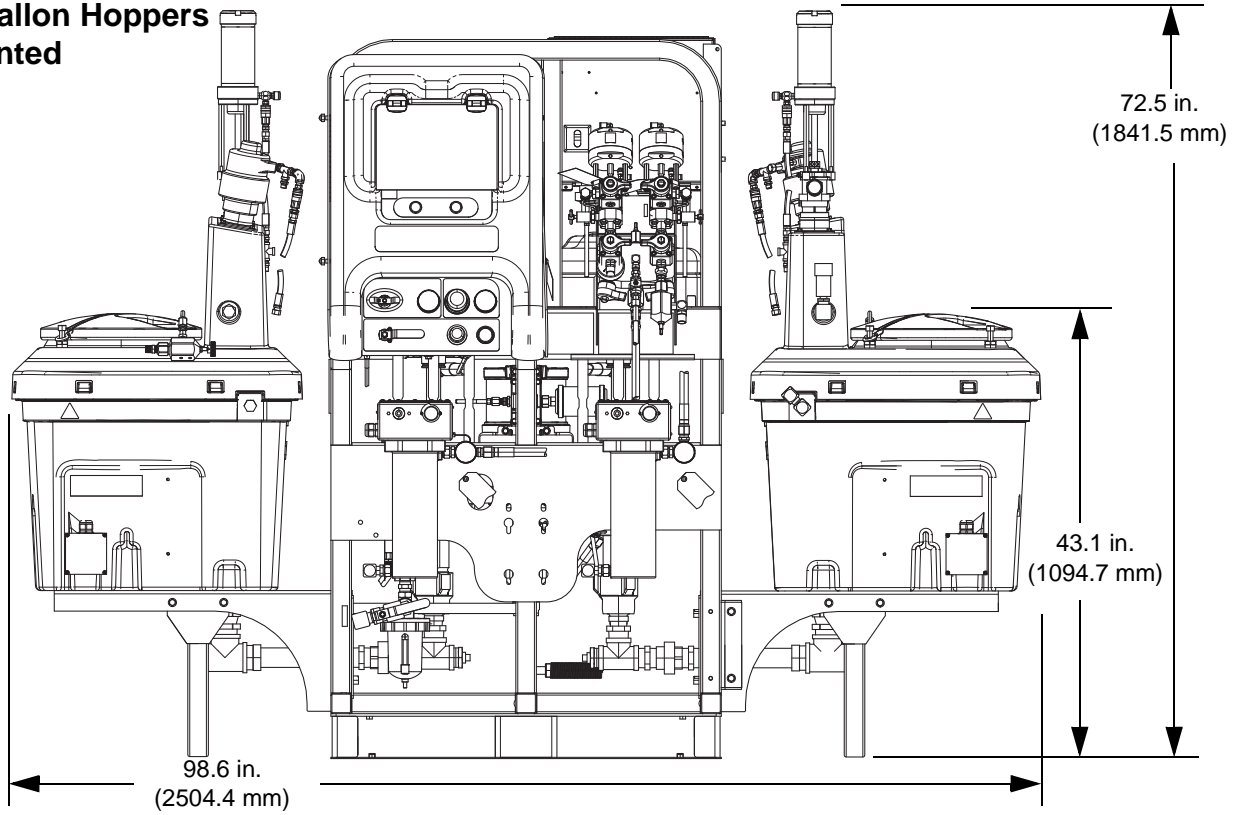
# Dimensions

## System Dimensions without Hoppers

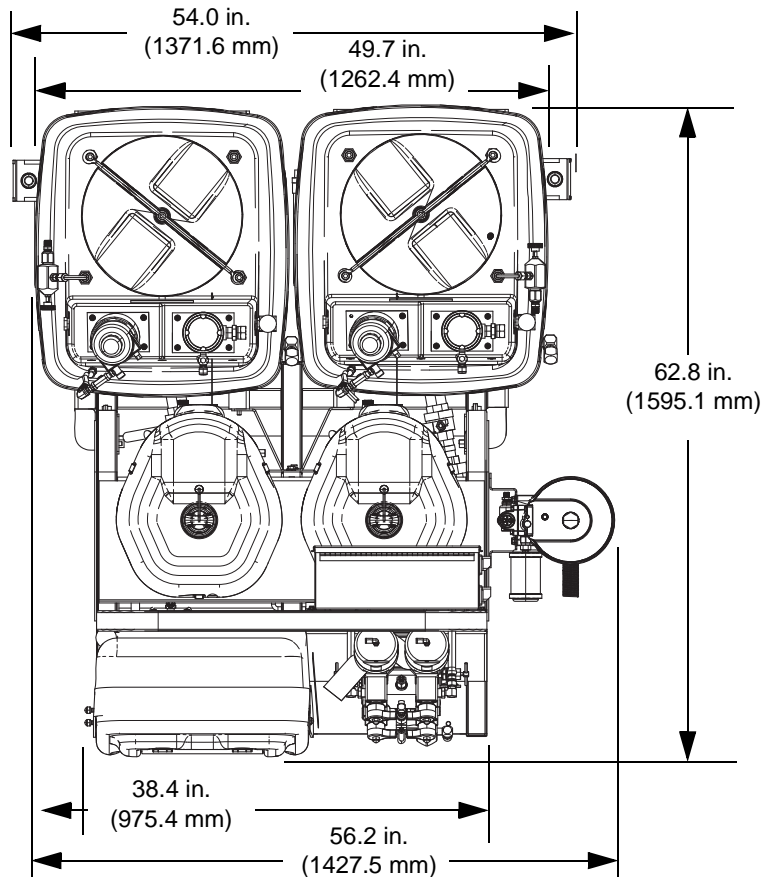


## System Dimensions with Hoppers

**Two 20-Gallon Hoppers  
Side Mounted**



**Two 20-Gallon Hoppers  
Rear Mounted  
(Top View)**

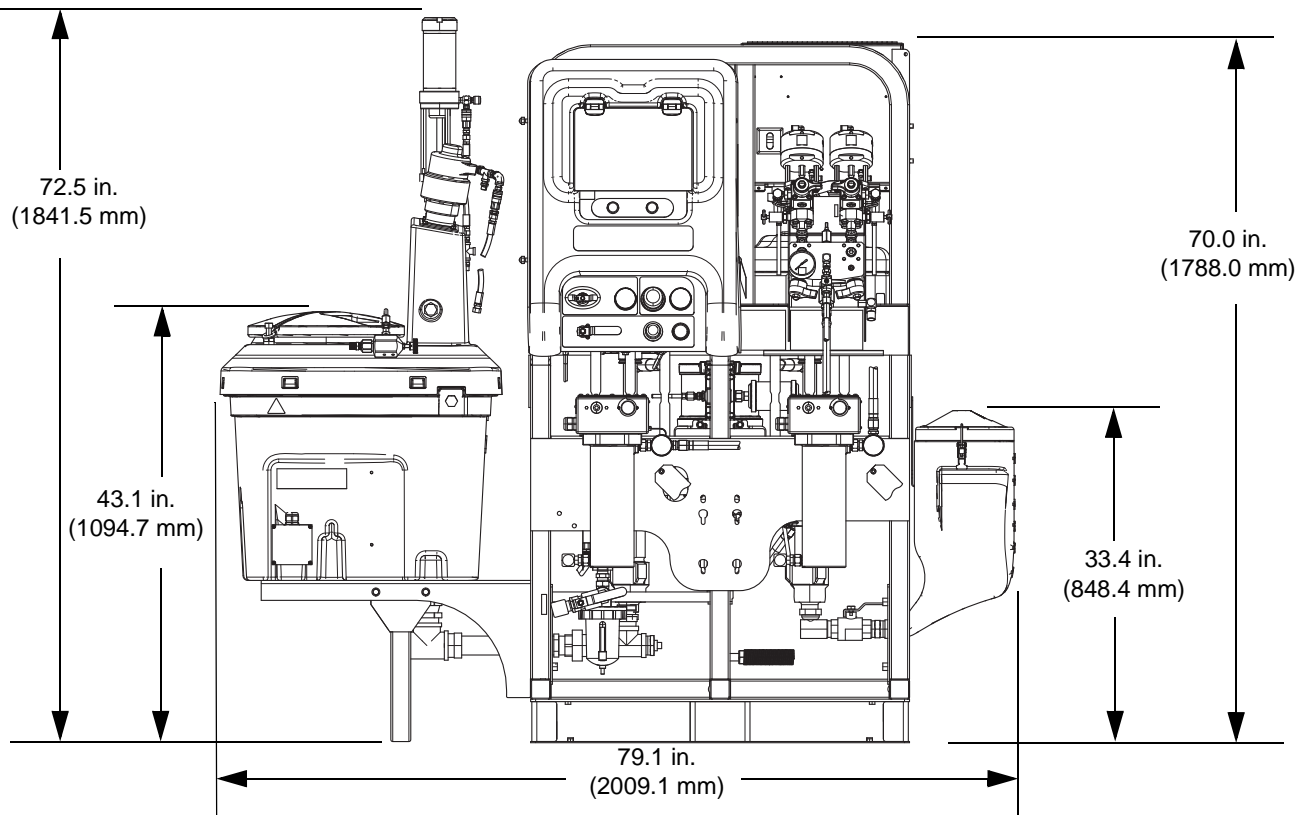


ti21283a

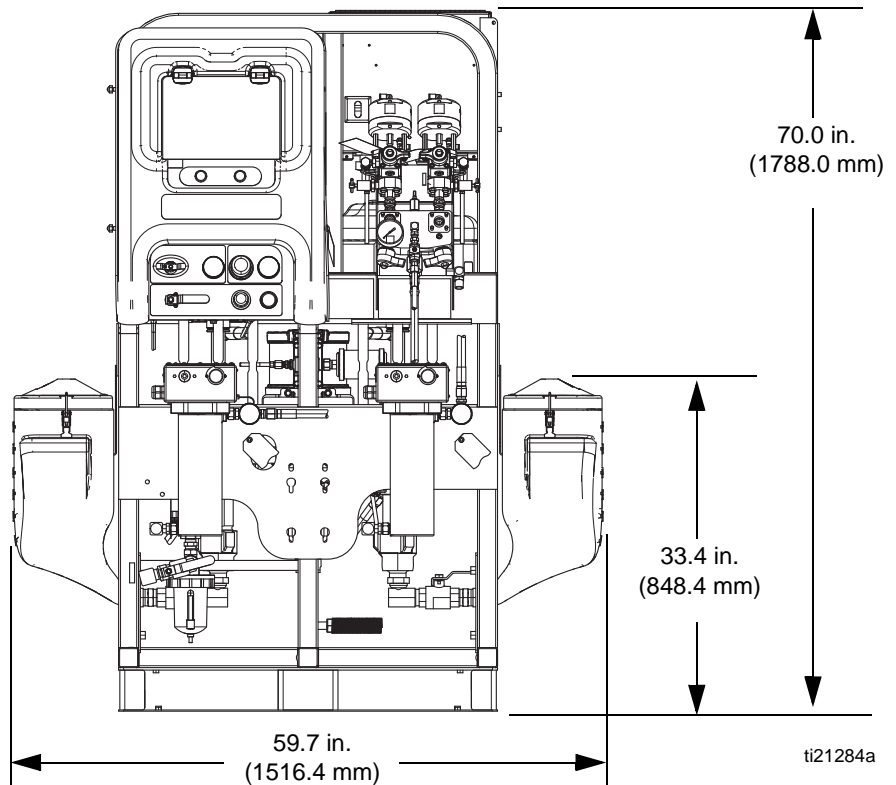


# System Dimensions with Hoppers

## One 20-Gallon Hopper and One 7-Gallon Hopper



## Two 7-Gallon Hoppers



# Pump Performance Charts

## Calculate Fluid Outlet Pressure

To calculate fluid outlet pressure (MPa/bar/psi) at a specific fluid flow (lpm/gpm) and operating air pressure (MPa/bar/psi), use the following instructions and pump data charts.

1. Locate desired flow along bottom of chart.
2. Follow vertical line up to intersection with selected fluid outlet pressure curve. Follow left to scale to read fluid outlet pressure.

## Calculate Pump Air Consumption

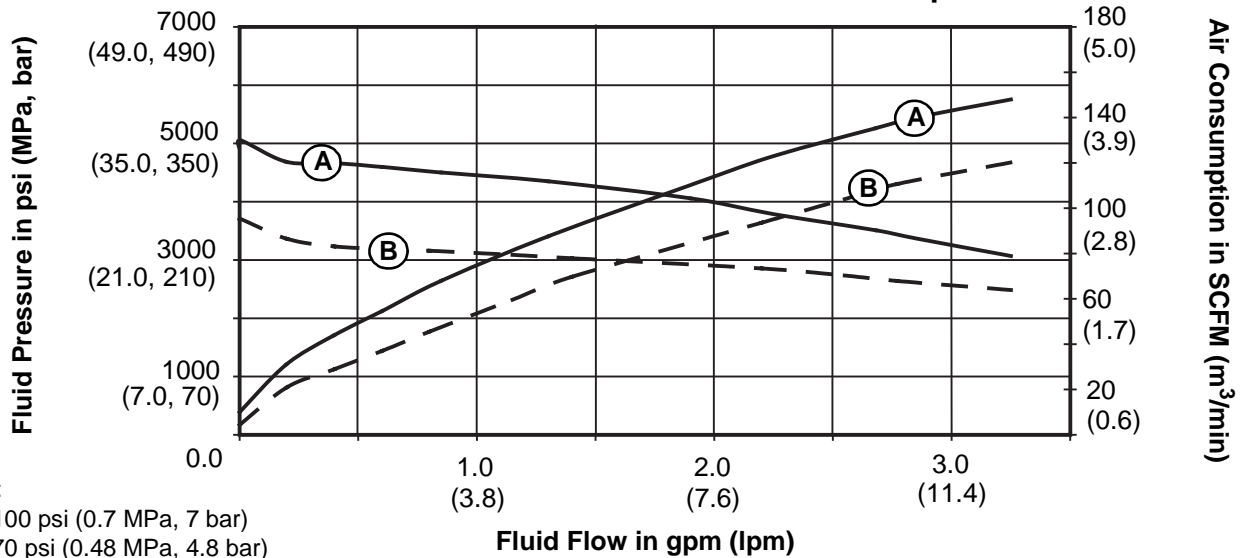
To calculate pump air consumption (m<sup>3</sup>/min or scfm) at a specific fluid flow (lpm/gpm) and air pressure (MPa/bar/psi), use the following instructions and pump data charts.

1. Locate desired flow along bottom of chart.
2. Follow vertical line up to intersection with selected air consumption curve. Follow right to scale to read air consumption.

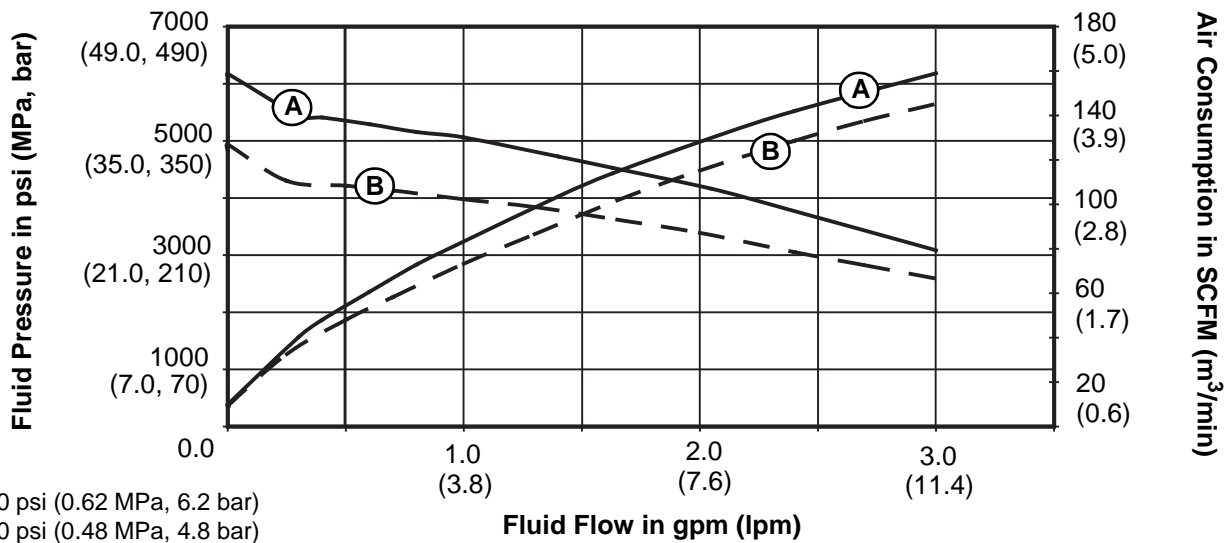
**NOTE: Ratio setpoint has no significant effect on curves in either performance chart.**

**Air consumption includes turbine alternator; it does not include feed pumps or agitators.**

**XM50 Fluid Performance and Air Consumption**



**XM70 Fluid Performance and Air Consumption**



# Technical Data

|  |  |
|--|--|
| Mixed ratio range  | 1:1-10:1 (in 0.1 increments)   |
| Ratio tolerance range (before alarm)   | +/- 5%   |
| Flow rates   |  |
| Minimum  | 1 qt./min. (0.95 liter/min.)*  |
| Maximum  | 3 gal./min/ (11.4 liter/min.)  |
| Fluid viscosity range  | 200-20,000 cps (heavier viscosities can be mixed using heat, circulation, and/or pressure feeding)   |
| Fluid filtration   | 60 mesh, (238 micron) standard on pump outlets (filter assembly not included on some models); alternative 30 mesh screens included                         |
| Air inlet  | 3/4 npt(f)   |
| Fluid inlets without feed kits   | 1 1/4 npt(m)   |
| Maximum fluid working pressure of mixed material                                     |  |
| 50:1   | 5200 psi (35.8 MPa, 358 bar)   |
| 70:1   | 6300 psi (43.5 MPa, 435 bar)   |
| Maximum fluid temperature  | 160° F (71° C)   |
| Air supply pressure range  | 50-150 psi (0.35-1.0 MPa, 3.5-10.3 bar)  |
| Maximum pump air set pressure  |  |
| 50:1   | 100 psi (0.70 MPa, 7.0 bar)  |
| 70:1   | 90 psi (0.62 MPa, 6.2 bar)   |
| Maximum pump inlet fluid feed pressure   | 250 psi (1.7 MPa, 17 bar)  |
| Maximum air consumption at 100 psi (0.7 MPa, 7.0 bar) in scfm (m <sup>3</sup> /min.) | 70 scfm per gpm (1.96 m <sup>3</sup> /min. per lpm)  |
| Air filtration   | 40 micron main filter, 5 micron control air filter; see <b>Pump Performance Charts</b> , page 86   |
| Ambient temperature range  |  |
| Operating  | 32-130° F (0-54° C)  |
| Storage  | 30-160° F (-1-71° C)   |
| Environmental conditions rating  | Indoor/outdoor use<br>Altitude up to 4000 m<br>Maximum relative humidity to 99% up to 130° F (54° C)<br>Pollution degree (11)<br>Installation category (2) |
| Sound pressure   | 86 dBA at 100 psi (0.7 MPa, 7 bar)   |
| Sound power  | 98 dBA at 100 psi (0.7 MPa, 7 bar)   |
| Wetted parts   |  |
| Suction tubes  | aluminum   |
| Flush pump   | carbide, PTFE, stainless steel, UHMWPE   |
| Hoses  | nylon  |
| Pumps (A and B)  | carbon steel, alloy steel, 303, 440, 17-ph grades stainless steel, zinc and nickel plating, ductile iron, tungsten carbide, PTFE                           |
| Metering valves  | carbon steel, nickel plating, carbide, polyethylene, leather   |
| Manifold   | carbon steel, nickel plating, carbide, 302 stainless steel, PTFE, UHMWPE   |
| Mixer  | stainless steel housing with acetal elements   |
| Spray gun  | Refer to spray gun manual  |
| Dimensions   | See <b>Dimensions</b> , page 83  |
| Weight   | Base sprayer (XM1A00 and XM5A00 models)<br>742 lbs (336.87 kg)<br>(Add component weights to base sprayer weight for your specific model weight.)           |

\* Minimum flow rate is dependent on material being sprayed and mixing capability. Test your material specific to flow rate.

# Graco Standard Warranty

Graco warrants all equipment referenced in this document which is manufactured by Graco and bearing its name to be free from defects in material and workmanship on the date of sale to the original purchaser for use. With the exception of any special, extended, or limited warranty published by Graco, Graco will, for a period of twelve months from the date of sale, repair or replace any part of the equipment determined by Graco to be defective. This warranty applies only when the equipment is installed, operated and maintained in accordance with Graco's written recommendations.

This warranty does not cover, and Graco shall not be liable for general wear and tear, or any malfunction, damage or wear caused by faulty installation, misapplication, abrasion, corrosion, inadequate or improper maintenance, negligence, accident, tampering, or substitution of non-Graco component parts. Nor shall Graco be liable for malfunction, damage or wear caused by the incompatibility of Graco equipment with structures, accessories, equipment or materials not supplied by Graco, or the improper design, manufacture, installation, operation or maintenance of structures, accessories, equipment or materials not supplied by Graco.

This warranty is conditioned upon the prepaid return of the equipment claimed to be defective to an authorized Graco distributor for verification of the claimed defect. If the claimed defect is verified, Graco will repair or replace free of charge any defective parts. The equipment will be returned to the original purchaser transportation prepaid. If inspection of the equipment does not disclose any defect in material or workmanship, repairs will be made at a reasonable charge, which charges may include the costs of parts, labor, and transportation.

**THIS WARRANTY IS EXCLUSIVE, AND IS IN LIEU OF ANY OTHER WARRANTIES, EXPRESS OR IMPLIED, INCLUDING BUT NOT LIMITED TO WARRANTY OF MERCHANTABILITY OR WARRANTY OF FITNESS FOR A PARTICULAR PURPOSE.**

Graco's sole obligation and buyer's sole remedy for any breach of warranty shall be as set forth above. The buyer agrees that no other remedy (including, but not limited to, incidental or consequential damages for lost profits, lost sales, injury to person or property, or any other incidental or consequential loss) shall be available. Any action for breach of warranty must be brought within two (2) years of the date of sale.

**GRACO MAKES NO WARRANTY, AND DISCLAIMS ALL IMPLIED WARRANTIES OF MERCHANTABILITY AND FITNESS FOR A PARTICULAR PURPOSE, IN CONNECTION WITH ACCESSORIES, EQUIPMENT, MATERIALS OR COMPONENTS SOLD BUT NOT MANUFACTURED BY GRACO.** These items sold, but not manufactured by Graco (such as electric motors, switches, hose, etc.), are subject to the warranty, if any, of their manufacturer. Graco will provide purchaser with reasonable assistance in making any claim for breach of these warranties.

In no event will Graco be liable for indirect, incidental, special or consequential damages resulting from Graco supplying equipment hereunder, or the furnishing, performance, or use of any products or other goods sold hereto, whether due to a breach of contract, breach of warranty, the negligence of Graco, or otherwise.

## **FOR GRACO CANADA CUSTOMERS**

The Parties acknowledge that they have required that the present document, as well as all documents, notices and legal proceedings entered into, given or instituted pursuant hereto or relating directly or indirectly hereto, be drawn up in English. Les parties reconnaissent avoir convenu que la rédaction du présente document sera en Anglais, ainsi que tous documents, avis et procédures judiciaires exécutés, donnés ou intentés, à la suite de ou en rapport, directement ou indirectement, avec les procédures concernées.

# Graco Information

For the latest information about Graco products, visit [www.graco.com](http://www.graco.com).

**TO PLACE AN ORDER**, contact your Graco distributor or call to identify the nearest distributor.

**Phone:** 612-623-6921 **or Toll Free:** 1-800-328-0211 **Fax:** 612-378-3505

*All written and visual data contained in this document reflects the latest product information available at the time of publication.  
Graco reserves the right to make changes at any time without notice.*

*For patent information, see [www.graco.com/patents](http://www.graco.com/patents).*

Original instructions. This manual contains English. MM 312359

**Graco Headquarters:** Minneapolis

**International Offices:** Belgium, China, Japan, Korea

**GRACO INC. AND SUBSIDIARIES • P.O. BOX 1441 • MINNEAPOLIS MN 55440-1441 • USA**  
**Copyright 2009, Graco Inc. All Graco manufacturing locations are registered to ISO 9001.**

[www.graco.com](http://www.graco.com)

Revision L - March 2017