

# 4-Ball Repair and Conversion Kits

3A0872E

EN

To replace pump seals and throat packings in Enclosed Wet Cup Lowers, Sealed 4-Ball Lowers, and Open Wet Cup Lowers. For professional use only.



## Important Safety Instructions

Read all warnings and instructions in your 4-Ball Lower Instruction Manual. Save these instructions.

750cc, 1000cc, 1500cc, and 2000cc Lowers

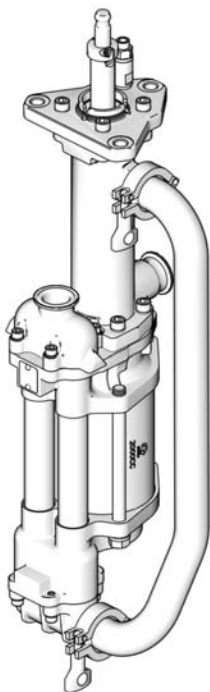
3000cc and 4000cc Lowers

Sealed

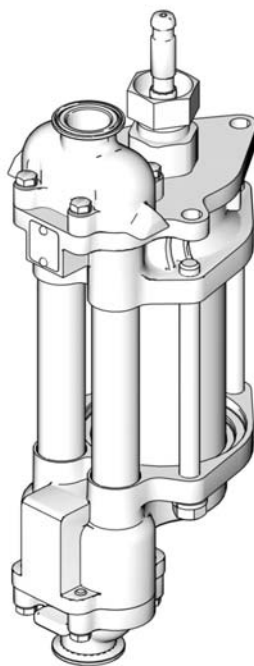
Open Wet Cup

Enclosed Wet Cup

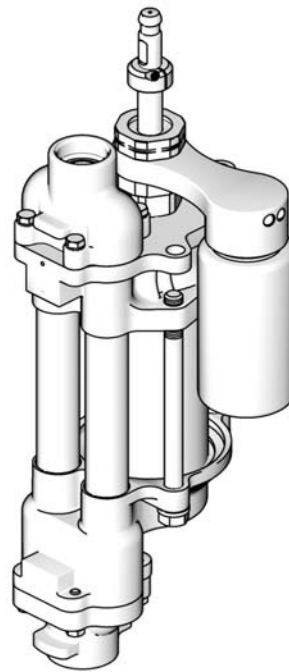
Enclosed Wet Cup



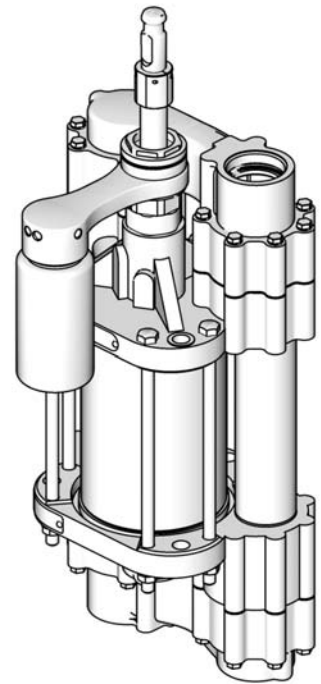
ti22478a



ti27791a



ti15594a



ti15603a

# Complete Pump Repair Kits for 750cc, 1000cc, 1500cc, and 2000cc Lowers

## Enclosed Wet Cup Lowers

**NOTE:** The lowers listed in this manual **must** use the pump repair kits listed below. **Do not** use kits for older-style lowers (see manual 311690) with these lowers. The throat packing gland height has changed.

### Pump Repair Kit 24F660

**For 750cc Lowers:** Part Nos. 24F413, 24F414, 24F415, 24F416, 24F417, 24F418, 24F420, 24F421, 24F422, and 24F423.

Ref. No.	Description	Qty.
2*	PACKING, o-ring; 1.25 in. (31 mm) OD; PTFE	6
4*	SEAL, gasket, cylinder	2
7*	GASKET, seat, valve	4
11*	PACKING, piston; 2.5 in.; UHMWPE	1
19†	GLAND, male	2
20†	V-PACKING; UHMWPE	5
25†	V-PACKING; leather	3
26†	GLAND, female	1
35†	PACKING, o-ring; PTFE; 1.5 in. (38 mm) OD	1
42†	PACKING, o-ring; PTFE; 1.63 in. (41 mm) OD	1
45◆	SPRING, compression	1
46◆	SEAL, piston, TSL pump	1
47◆	O-RING; fluoroelastomer; 1.88 in. (48 mm) OD	2

\* These parts are included in Seal Repair Kit 16E904.

† These parts are included in Throat Packing Repair Kit 24F245.

◆ These parts are included in TSL Pump Repair Kit 24F617.

### Pump Repair Kit 24F661

**For 1000cc Lowers:** Part Nos. 24F424, 24F425, 24F426, 24F427, 24F428, 24F429, and 24F431.

Ref. No.	Description	Qty.
2*	PACKING, o-ring; 1.25 in. (31 mm) OD; PTFE	6
4*	SEAL, gasket, cylinder	2
7*	GASKET, seat, valve	4
11*	PACKING, piston; 3.0 in., UHMWPE	1
19†	GLAND, male	2
20†	V-PACKING; UHMWPE	5
25†	V-PACKING; leather	3
26†	GLAND, female	1
35†	PACKING, o-ring; PTFE; 1.5 in. (38 mm) OD	1
42†	PACKING, o-ring; PTFE; 1.63 in. (41 mm) OD	1
45◆	SPRING, compression	1
46◆	SEAL, piston, TSL pump	1
47◆	O-RING; fluoroelastomer; 1.88 in. (48 mm) OD	2

\* These parts are included in Seal Repair Kit 277360.

† These parts are included in Throat Packing Repair Kit 24F245.

◆ These parts are included in TSL Pump Repair Kit 24F617.

### Pump Repair Kit 24F662

**For 1500cc Lowers:** Part Nos. 24F432, 24F433, 24F434, 24F435, 24F436, 24F437, and 24F439.

Ref. No.	Description	Qty.
2*	PACKING, o-ring; 1.25 in. (31 mm) OD; PTFE	6
4*	SEAL, gasket, cylinder	2
7*	GASKET, seat, valve	4
11*	PACKING, piston; 3.5 in.; UHMWPE	1
19†	GLAND, male	2
20†	V-PACKING; UHMWPE	5
25†	V-PACKING; leather	3
26†	GLAND, female	1
35†	PACKING, o-ring; PTFE; 1.5 in. (38 mm) OD	1
42†	PACKING, o-ring; PTFE; 1.63 in. (41 mm) OD	1
45◆	SPRING, compression	1
46◆	SEAL, piston, TSL pump	1
47◆	O-RING; fluoroelastomer; 1.88 in. (48 mm) OD	2

\* These parts are included in Seal Repair Kit 277362.

† These parts are included in Throat Packing Repair Kit 24F245.

◆ These parts are included in TSL Pump Repair Kit 24F617.

### Pump Repair Kit 24F663

**For 2000cc Lowers:** Part Nos. 24F440, 24F441, 24F442, 24F443, 24F444, 24F445, and 24F447.

Ref. No.	Description	Qty.
2*	PACKING, o-ring; 1.25 in. (31 mm) OD; PTFE	6
4*	SEAL, gasket, cylinder	2
7*	GASKET, seat, valve	4
11*	PACKING, piston; 4.0 in.; UHMWPE	1
19†	GLAND, male	2
20†	V-PACKING; UHMWPE	5
25†	V-PACKING; leather	3
26†	GLAND, female	1
35†	PACKING, o-ring; PTFE; 1.5 in. (38 mm) OD	1
42†	PACKING, o-ring; PTFE; 1.63 in. (41 mm) OD	1
45◆	SPRING, compression	1
46◆	SEAL, piston, TSL pump	1
47◆	O-RING; fluoroelastomer; 1.88 in. (48 mm) OD	2

\* These parts are included in Seal Repair Kit 277358.

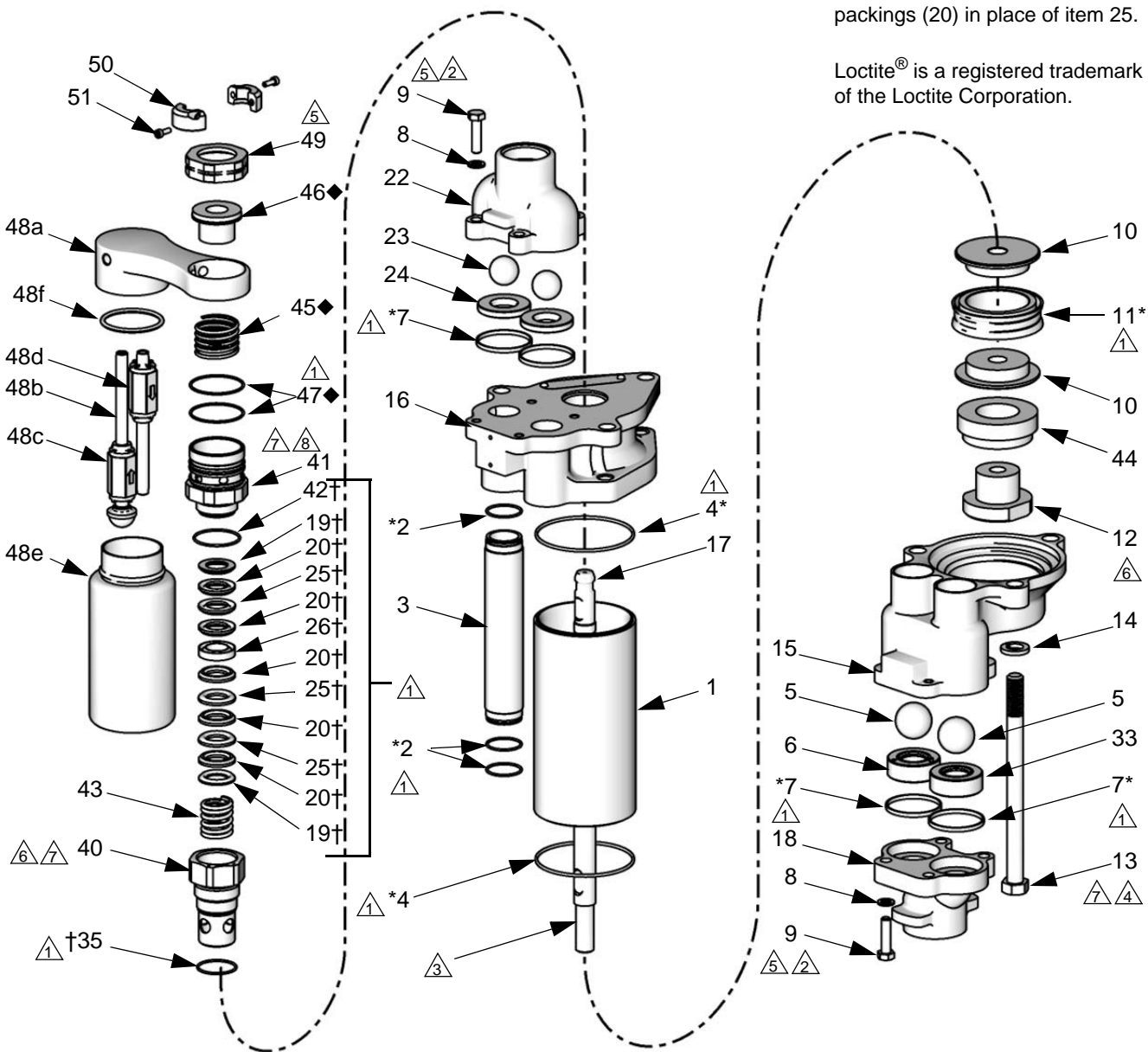
† These parts are included in Throat Packing Repair Kit 24F245.

◆ These parts are included in TSL Pump Repair Kit 24F617.

**NOTE:** Kit 24F243 uses all ptfе packings (20) in place of item 25.

**NOTE:** Kit 24F244 uses all leather packings (20) in place of item 25.

Loctite® is a registered trademark of the Loctite Corporation.



TI15433c

1 Apply lubricant to all packings and seals.

2 Apply removable (blue) Loctite® 243 to entire length of threads.

3 Apply high strength (red) Loctite® 263 or 2760 to entire length of threads. Sealant must be allowed to cure for a minimum of 12 hours before use.

4 Tighten uniformly until cylinder (4) is seated. Torque to 25-30 ft-lb (34-40 N•m).

5 Torque 25-30 ft-lb (34-40 N•m).

6 Torque 95-100 ft-lb (129-135 N•m).

7 Apply thread lubricant.

8 Torque 70-75 ft-lb (95-102 N•m).

**FIG. 1. 750cc, 1000cc, 1500cc, and 2000cc Enclosed Wet Cup Lowers**

## Sealed 4-Ball Lowers

### Pump Repair Kit 17K758

For Sealed 750cc Lower: Part No. 17K656.

Ref. No.	Description	Qty.
2*	O-RING; 1.25 in. (31 mm) OD; PTFE	6
4*	GASKET, cylinder	2
7*	GASKET, check valve	4
11*	SEAL, piston; ZXP	1
20†	O-RING; 1.25 in. (31 mm) OD; FX75 or CV75	2
21†	SEAL, lip	1
25	BEARING	1
35	O-RING; 1.5 in. (38 mm) OD; PTFE	1
51	SEAL, backup	1
53	BELLOWS	1
55	O-RING, bellows; 2.55 in. (65 mm) OD	1
57	O-RING; 0.7 in. (18 mm) OD; PTFE	1
58	GASKET, sanitary	2
61	O-RING	1
62	O-RING; 2.7 in. (69 mm) OD, PTFE	1

\* These parts are included in Piston Seal Kit 17K912.

† These parts are included in Lip Seal Kit 17K753

### Pump Repair Kit 17K760

For Sealed 1000cc Lower: Part No. 17K657.

Ref. No.	Description	Qty.
2*	O-RING; 1.25 in. (31 mm) OD; PTFE	6
4*	GASKET, cylinder	2
7*	GASKET, check valve	4
11*	SEAL, piston; ZXP	1
20†	O-RING; 1.25 in. (31 mm) OD; FX75 or CV75	2
21†	SEAL, lip	1
25	BEARING	1
35	O-RING; 1.5 in. (38 mm) OD; PTFE	1
51	SEAL, backup	1
53	BELLOWS	1
55	O-RING, bellows; 2.55 in. (65 mm) OD	1
57	O-RING; 0.7 in. (18 mm) OD; PTFE	1
58	GASKET, sanitary	2
61	O-RING	1
62	O-RING; 2.7 in. (69 mm) OD, PTFE	1

\* These parts are included in Piston Seal Kit 17K913.

† These parts are included in Lip Seal Kit 17K753.

### Pump Repair Kit 17K762

For Sealed 1500cc Lowers: Part No. 17K658.

Ref. No.	Description	Qty.
2*	O-RING; 1.25 in. (31 mm) OD; PTFE	6
4*	GASKET, cylinder	2
7*	GASKET, check valve	4
11*	SEAL, piston; ZXP	1
20†	O-RING; 1.25 in. (31 mm) OD; FX75 or CV75	2
21†	SEAL, lip	1
25	BEARING	1
35	O-RING; 1.5 in. (38 mm) OD; PTFE	1
51	SEAL, backup	1
53	BELLOWS	1
55	O-RING, bellows; 2.55 in. (65 mm) OD	1
57	O-RING; 0.7 in. (18 mm) OD; PTFE	1
58	GASKET, sanitary	2
61	O-RING	1
62	O-RING; 2.7 in. (69 mm) OD, PTFE	1

\* These parts are included in Piston Seal Kit 17K914.

† These parts are included in Lip Seal Kit 17K753.

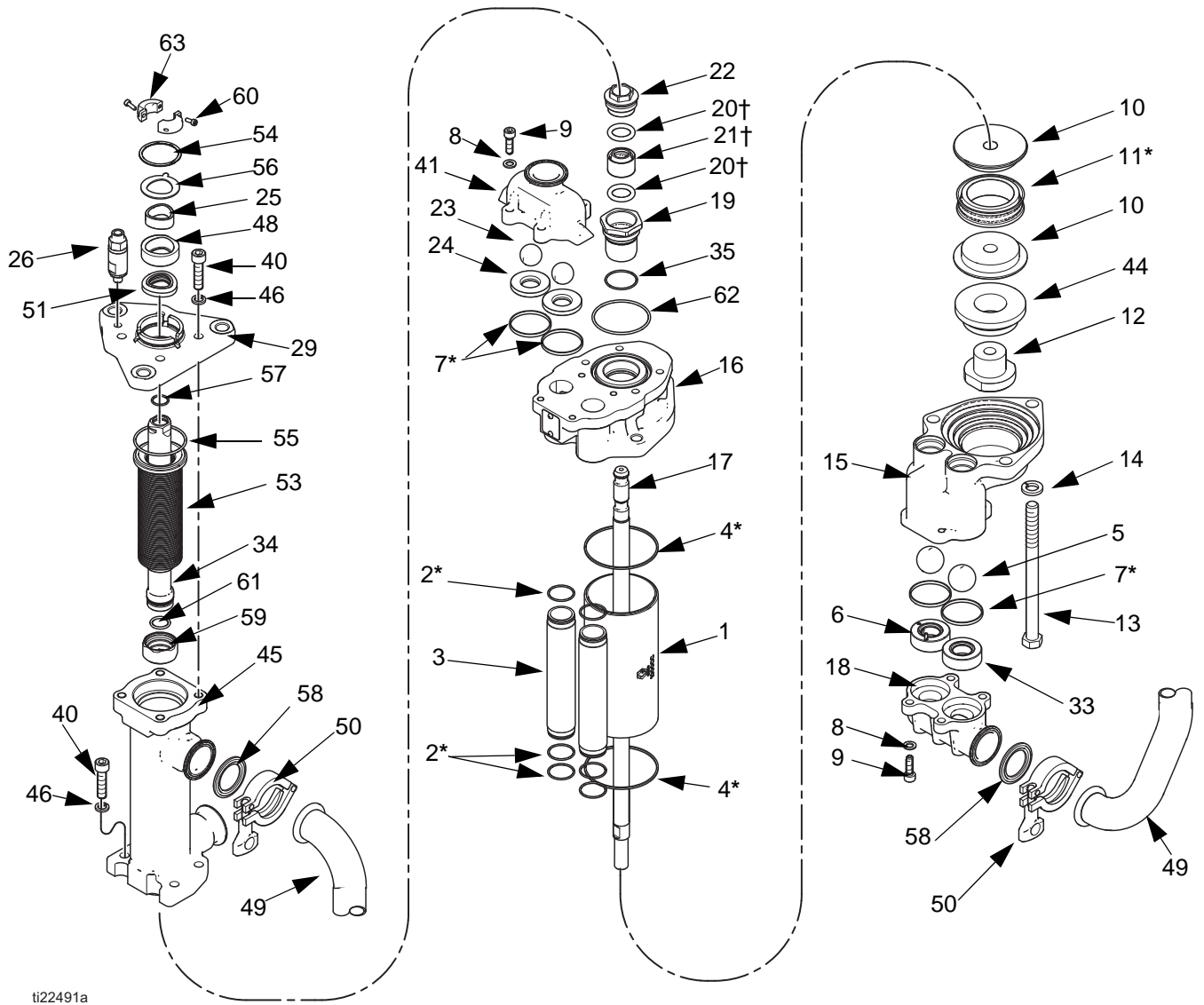
### Pump Repair Kit 17K764

For Sealed 2000cc Lower: Part No. 17K659.

Ref. No.	Description	Qty.
2*	O-RING; 1.25 in. (31 mm) OD; PTFE	6
4*	GASKET, cylinder	2
7*	GASKET, check valve	4
11*	SEAL, piston; ZXP	1
20†	O-RING; 1.25 in. (31 mm) OD; FX75 or CV75	2
21†	SEAL, lip	1
25	BEARING	1
35	O-RING; 1.5 in. (38 mm) OD; PTFE	1
51	SEAL, backup	1
53	BELLOWS	1
55	O-RING, bellows; 2.55 in. (65 mm) OD	1
57	O-RING; 0.7 in. (18 mm) OD; PTFE	1
58	GASKET, sanitary	2
61	O-RING	1
62	O-RING; 2.7 in. (69 mm) OD, PTFE	1

\* These parts are included in Piston Seal Kit 17K915.

† These parts are included in Lip Seal Kit 17K753.



**FIG. 2 750cc, 1000cc, 1500cc, and 2000cc Sealed 4-Ball Lowers**

## Open Wet Cup Lowers

### Pump Repair Kit 17K759

**For Open Wet Cup 750cc Lowers:** Part Nos. 17K660, 17K664, and 17K668.

Ref.	Description	Qty
2*	O-RING; 1.25 in. (31 mm) OD, PTFE	6
4*	GASKET, cylinder	2
7*	GASKET, seat, valve	4
11*	SEAL, piston, ZXP	1
19†	GLAND, male	2
20†	V-PACKING, throat; ZX	5
25†	V-PACKING, throat; leather	3
26†	GLAND, female	1
35†	O-RING; 1.5 in. (38 mm) OD	1

\* Parts are included in Piston Seal Kit 17K912.

† Parts are included in Throat Repair Kit 17K754.

### Pump Repair Kit 17K761

**For Open Wet Cup 1000cc Lowers:** Part Nos. 17K661, 17K665, and 17K669.

Ref.	Description	Qty
2*	O-RING; 1.25 in. (31 mm) OD, PTFE	6
4*	GASKET, cylinder	2
7*	GASKET, seat valve	4
11*	SEAL, piston, ZXP	1
19†	GLAND, male	2
20†	V-PACKING, throat; ZX	5
25†	V-PACKING, throat; leather	3
26†	GLAND, female	1
35†	O-RING; 1.5 in. (38 mm) OD	1

\* Parts are included in Piston Seal Kit 17K913.

† Parts are included in Throat Repair Kit 17K754.

### Pump Repair Kit 17K763

**For Open Wet Cup 1500cc Lower:** Part Nos. 17K662, 17K666, and 17K670.

Ref.	Description	Qty
2*	O-RING; 1.25 in. (31 mm) OD, PTFE	6
4*	GASKET, cylinder	2
7*	GASKET, seat valve	4
11*	SEAL, piston, ZXP	1
19†	GLAND, male	2
20†	V-PACKING, throat; ZX	5
25†	V-PACKING, throat; leather	3
26†	GLAND, female	1
35†	O-RING; 1.5 in. (38 mm) OD	1

\* Parts are included in Piston Seal Kit 17K914.

† Parts are included in Throat Repair Kit 17K754.

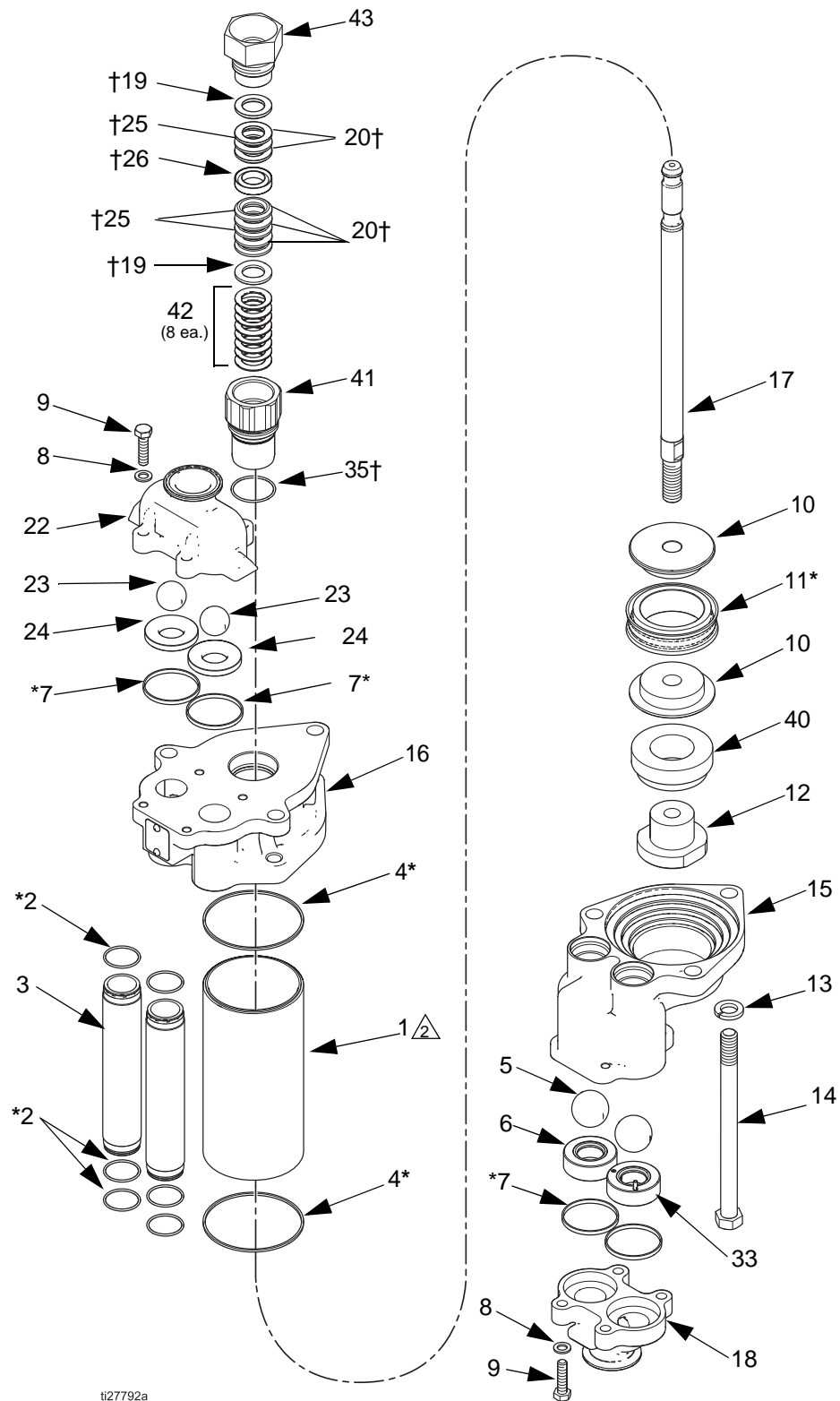
### Pump Repair Kit 17K765

**For Open Wet Cup 2000cc Lowers:** Part Nos. 17K663, 17K667, and 17K671.

Ref.	Description	Qty
2*	O-RING; 1.25 in. (31 mm) OD, PTFE	6
4*	GASKET, cylinder	2
7*	GASKET, seat valve	4
11*	SEAL, piston, ZXP	1
19†	GLAND, male	2
20†	V-PACKING, throat; ZX	5
25†	V-PACKING, throat; leather	3
26†	GLAND, female	1
35†	O-RING; 1.5 in. (38 mm) OD	1

\* Parts are included in Piston Seal Kit 17K915.

† Parts are included in Throat Repair Kit 17K754.



ti27792a

**FIG. 3 750cc, 1000cc, 1500cc, and 2000cc Open Wet Cup Lowers**

# Piston Seal Kits for All 750cc, 1000cc, 1500cc, and 2000cc Lowers

See FIG. 1 on page 3 for Enclosed Wet Cup Lowers.

See FIG. 2 on page 5 for Sealed 4-Ball Lowers.

See FIG. 3 on page 7 for Open Wet Cup Lowers.

## Seal Repair Kit 16E904 Piston Seal Kit 17K912 PTFE Seal Conversion Kit 16E895

**For 750cc Lowers:** Part Nos. 24F413, 24F414, 24F415, 24F416, 24F417, 24F418, 24F420, 24F421, 24F422, 24F423, 17K656, 17K660, 17K664, and 17K668.

Ref. No.	Description	Qty.
2*	O-RING; 1.25 in. (31 mm) OD; PTFE	6
4*	GASKET, cylinder	2
7*	GASKET, seat, valve	4
11*	SEAL, piston; 2.5 in.; UHMWPE (Kit 16E904)	1
11*	SEAL, piston; 2.5 in.; ZXP (Kit 17K912)	1
11*	SEAL, piston; 2.5 in.; PTFE (Kit 16E895)★	1

## Seal Repair Kit 277360 Piston Seal Kit 17K913 PTFE Seal Conversion Kit 277361

**For 1000cc Lowers:** Part Nos. 24F424, 24F425, 24F426, 24F427, 24F428, 24F429, 24F431, 17K657, 17K661, 17K665, and 17K669.

Ref. No.	Description	Qty.
2*	O-RING; 1.25 in. (31 mm) OD; PTFE	6
4*	GASKET, cylinder	2
7*	GASKET, seat, valve	4
11*	SEAL, piston; 3 in.; UHMWPE (Kit 277360)	1
11*	SEAL, piston; 3 in.; ZXP (Kit 17K913)	1
11*	SEAL, piston; 3 in.; PTFE (Kit 277361)★	1

## Seal Repair Kit 277362 Piston Seal Kit 17K914 PTFE Seal Conversion Kit 277363

**For 1500cc Lowers:** Part Nos. 24F432, 24F433, 24F434, 24F435, 24F436, 24F437, 24F439, 17K658, 17K662, 17K666, and 17K670.

Ref. No.	Description	Qty.
2*	O-RING; 1.25 in. (31 mm) OD; PTFE	6
4*	GASKET, cylinder	2
7*	GASKET, seat, valve	4
11*	SEAL, piston; 3.5 in.; UHMWPE (Kit 277362)	1
11*	SEAL, piston; 3.5 in.; ZXP (Kit 17K914)	1
11*	SEAL, piston; 3.5 in.; PTFE (Kit 277363)★	1

## Seal Repair Kit 277358 Piston Seal Kit 17K915 PTFE Seal Conversion Kit 277359

**For 2000cc Lowers:** Part Nos. 24F440, 24F441, 24F442, 24F443, 24F444, 24F445, 24F447, 17K659, 17K663, 17K667, and 17K671.

Ref. No.	Description	Qty.
2*	O-RING; 1.25 in. (31 mm) OD; PTFE	6
4*	GASKET, cylinder	2
7*	GASKET, seat, valve	4
11*	SEAL, piston; 4 in.; UHMWPE (Kit 277358)	1
11*	SEAL, piston; 4 in.; ZXP (Kit 17K915)	1
11*	SEAL, piston; 4 in.; PTFE (Kit 277359)★	1

★ Use PTFE seals only when required for chemical compatibility. PTFE seals may result in a reduced cycle life.



# Throat Packing Kits for Enclosed Wet Cup and Open Wet Cup Lowers

**NOTE:** The lowers listed in this manual **must** use the throat packing kits listed below. **Do not** use kits for older-style lowers (see manual 311690) with these lowers. The throat packing gland height has changed.

See FIG. 1 on page 3 for pumps with Enclosed Wet Cup Lowers. For best results, install the TSL Pump Repair Kit 24F617 each time the throat packings are changed. See FIG. 3 on page 7 for Open Wet Cup Lowers.

**For 750cc Lowers:** Part Nos. 24F413, 24F414, 24F415, 24F416, 24F417, 24F418, 24F420, 24F421, 24F422, 24F423, 17K656, 17K660, 17K664, and 17K668.

**For 1000cc Lowers:** Part Nos. 24F424, 24F425, 24F426, 24F427, 24F428, 24F429, 24F431, 17K657, 17K661, 17K665, and 17K669.

**For 1500cc Lowers:** Part Nos. 24F432, 24F433, 24F434, 24F435, 24F436, 24F437, 24F439, 17K658, 17K662, 17K666, and 17K670.

**For 2000cc Lowers:** Part Nos. 24F440, 24F441, 24F442, 24F443, 24F444, 24F445, 24F447, 17K659, 17K663, 17K667, and 17K671.

## Kit 24F245

With leather and UHMWPE throat packings.

Ref. No.	Description	Qty.
19†	GLAND, male	2
20†	V-PACKING; UHMWPE	5
25†	V-PACKING, leather	3
26†	GLAND, female	1
35†	O-RING; PTFE; 1.5 in. (38 mm) OD	1
42†	O-RING; PTFE, 1.63 in. (41 mm) OD	1

## Kit 24F244

With leather throat packings.

Ref. No.	Description	Qty.
19†	GLAND, male	2
20†	V-PACKING, leather	8
26†	GLAND, female	1
35†	O-RING; PTFE; 1.5 in. (38 mm) OD	1
42†	O-RING; PTFE, 1.63 in. (41 mm) OD	1

## Kit 24F243

With PTFE throat packings.

Ref. No.	Description	Qty.
19†	GLAND, male	2
20†	V-PACKING; PTFE★	8
26†	GLAND, female	1
35†	O-RING; PTFE; 1.5 in. (38 mm) OD	1
42†	O-RING; PTFE, 1.63 in. (41 mm) OD	1

## Kit 24F246

With UHMWPE and PTFE throat packings.

Ref. No.	Description	Qty.
19†	GLAND, male	2
20†	V-PACKING; UHMWPE	5
25†	V-PACKING; PTFE★	3
26†	GLAND, female	1
35†	O-RING; PTFE; 1.5 in. (38 mm) OD	1
42†	O-RING; PTFE, 1.63 in. (41 mm) OD	1

## Kit 17K754

With leather and ZX throat packings.

Ref. No.	Description	Qty.
19†	GLAND, male	2
20†	V-PACKING; ZX	5
25†	V-PACKING, leather	3
26†	GLAND, female	1
35†	O-RING; PTFE; 1.5 in. (38 mm) OD	1
42†	O-RING; PTFE, 1.63 in. (41 mm) OD	1

## Kit 17K916

With ZX and PTFE throat packings.

Ref. No.	Description	Qty.
19†	GLAND, male	2
20†	V-PACKING; ZX	5
25†	V-PACKING, PTFE★	3
26†	GLAND, female	1
35†	O-RING; PTFE; 1.5 in. (38 mm) OD	1
42†	O-RING; PTFE, 1.63 in. (41 mm) OD	1

★ Use PTFE seals only when required for chemical compatibility. PTFE seals my result in a reduced cycle life.

## Lip Seal Kit For Sealed 4-Ball Lowers

NOTE: See FIG. 2 on page 5.

### Lip Seal Kit 17K753

Ref. No.	Description	Qty.
	O-RING	2
	SEAL, lip	1

## Additional Kit For Enclosed Wet Cup Lowers

NOTE: See FIG. 1 on page 3.

### TSL Pump Repair Kit 24F617

Ref. No.	Description	Qty.
45◆	SPRING, compression	1
46◆	SEAL, piston, TSL pump	1
47◆	O-RING; fluoroelastomer; 1.88 in. (48 mm) OD	2

## Additional Kit For Open Wet Cup Lowers

NOTE: See FIG. 3, page 7.

### Belleville Springs Kit 17K755

Ref. No.	Description	Qty.
42	SPRING, belleville	8

## Additional Kit For Sealed 4-Ball Lowers

NOTE: See FIG. 2 on page 5.

### Bellows Repair Kit 17K766

Ref. No.	Description	Qty.
25	BEARING	1
51	SEAL, backup	1
53	BELLOWS	1
55	O-RING, bellows	1
57	O-RING	1
61	O-RING	1

# Complete Pump Repair Kits for 3000cc and 4000cc Lowers

**NOTE:** The lowers listed in this manual **must** use the pump repair kits listed below. **Do not** use kits for older-style lowers (see manual 311832) with these lowers. The throat packing gland height has changed.

## Pump Repair Kit 24F664

**For 3000cc Lowers:** Part Nos. 24F448, 24F449, and 24F450.

Ref. No.	Description	Qty.
3*	SEAL, gasket, cylinder	2
5*	SEAL; UHMWPE	4
15*	GASKET, seat, valve	4
17*	SEAL; UHMWPE	4
22*	O-RING; PTFE encapsulated fluoroelastomer; 1.07 in. (27 mm) OD	1
23*	O-RING; PTFE; 2.32 in. (59 mm) OD	1
25*	PACKING, piston; 5.0 in.; UHMWPE	1
30†	V-PACKING; UHMWPE	6
31†	V-PACKING; leather	4
32†	GLAND, female	1
33†	GLAND, male	2
35◆	SPRING, compression	1
36◆	SEAL, piston, TSL pump	1
51◆	O-RING; fluoroelastomer; 2.25 in. (57 mm) OD	2
52†	O-RING; PTFE; 1.75 in. (44 mm) OD	2

\* These parts are included in Seal Repair Kit 243728.

† These parts are included in Throat Packing Repair Kit 24F247.

◆ These parts are included in TSL Pump Repair Kit 24F618.

## Pump Repair Kit 24F665

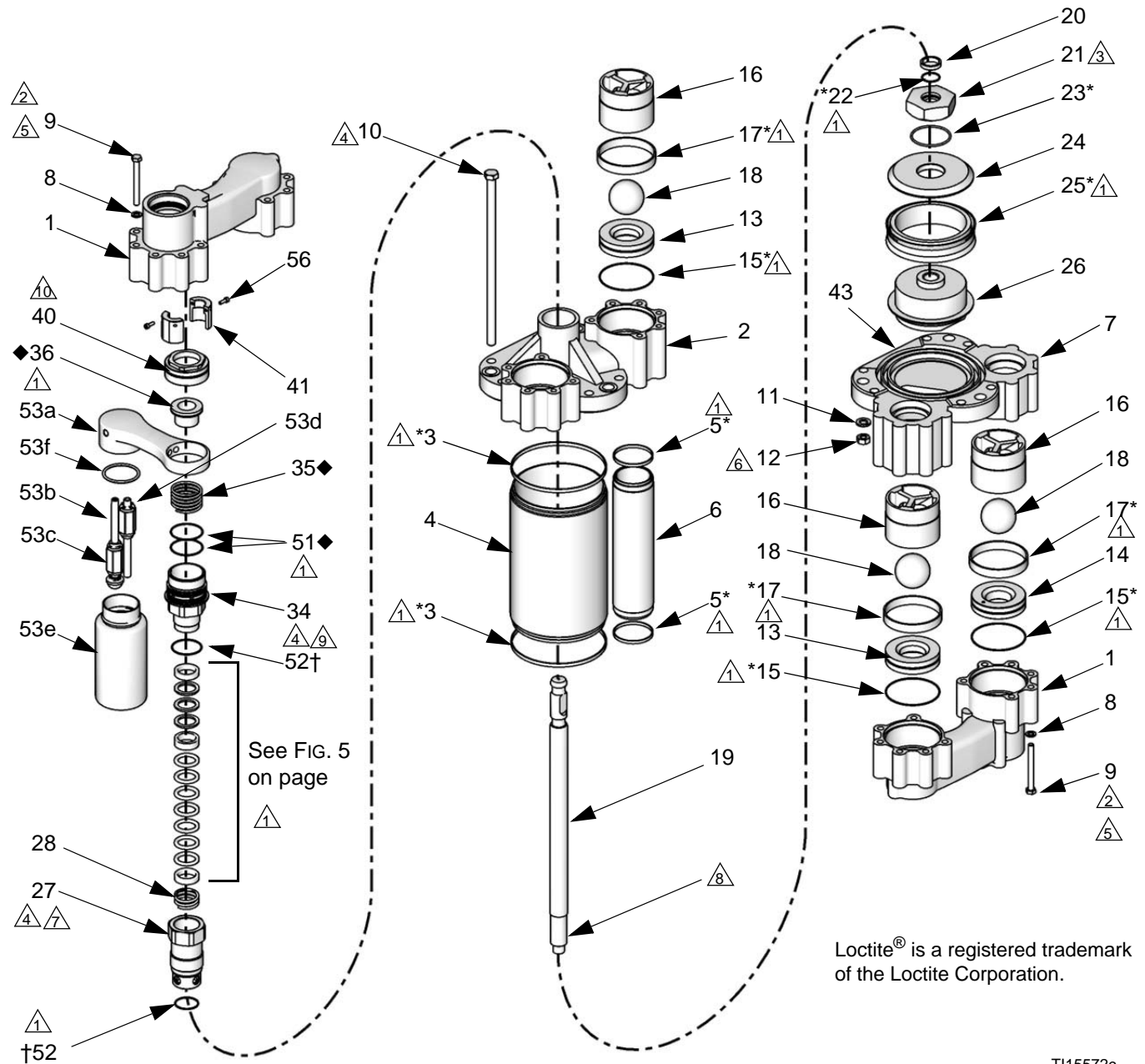
**For 4000cc Lowers:** Part Nos. 24F451, 24F452, and 24F453.

Ref. No.	Description	Qty.
3*	SEAL, gasket, cylinder	2
5*	SEAL; UHMWPE	4
15*	GASKET, seat, valve	4
17*	SEAL; UHMWPE	4
22*	O-RING; PTFE encapsulated fluoroelastomer; 1.07 in. (27 mm) OD	1
23*	O-RING; PTFE; 2.32 in. (59 mm) OD	1
25*	PACKING, piston; 5.75 in.; UHMWPE	1
30†	V-PACKING; UHMWPE	6
31†	V-PACKING; leather	4
32†	GLAND, female	1
33†	GLAND, male	2
35◆	SPRING, compression	1
36◆	SEAL, piston, TSL pump	1
51◆	O-RING; fluoroelastomer; 2.25 in. (57 mm) OD	2
52†	O-RING; PTFE; 1.75 in. (44 mm) OD	2

\* These parts are included in Seal Repair Kit 243729.

† These parts are included in Throat Packing Repair Kit 24F247.

◆ These parts are included in TSL Pump Repair Kit 24F618.



- △1 Apply lubricant to all packings and seals.
- △2 Apply removable (blue) Loctite® 243 to entire length of threads.
- △3 Torque to 200-210 ft-lb (270-285 N•m).
- △4 Apply thread lubricant.

- △5 Torque to 18-20 ft-lb (24-27 N•m).
- △6 Tighten uniformly until cylinder is seated then torque to 60-65 ft-lb (81-88 N•m).
- △7 Torque to 95-100 ft-lb (129-135 N•m).

- △8 Apply high strength (red) Loctite® 263 or 2760 to entire length of threads. Sealant must be allowed to cure for a minimum of 12 hours before use.
- △9 Torque to 70-75 ft-lb (95-102 N•m).
- △10 Torque to 25-30 ft-lb (34-40 N•m).

Fig. 4. 3000cc and 4000cc Enclosed Wet Cup Lowers

# Seal Kits for All 3000cc and 4000cc Lowers

## Piston Seal Kits

**NOTE:** See FIG. 4 on page 12.

### Seal Repair Kit 243728 PTFE Seal Conversion Kit 235855

**For 3000cc Lowers:** Part Nos. 24F448, 24F449, and 24F450.

Ref. No.	Description	Qty.
3*	SEAL, gasket, cylinder	2
5*	SEAL; UHMWPE	4
15*	GASKET, seat, valve	4
17*	SEAL; UHMWPE	4
22*	O-RING; PTFE encapsulated fluoroelastomer; 1.07 in. (27 mm) OD	1
23*	O-RING; PTFE; 2.32 in. (59 mm) OD	1
25*	PACKING, piston; 5.0 in.; UHMWPE (Kit 243728)	1
25*	PACKING, piston; 5.0 in.; PTFE (Kit 235855)★	1

### Seal Repair Kit 243729 PTFE Seal Conversion Kit 235854

**For 4000cc Lowers:** Part Nos. 24F451, 24F452, and 24F453.

Ref. No.	Description	Qty.
3*	SEAL, gasket, cylinder	2
5*	SEAL; UHMWPE	4
15*	GASKET, seat, valve	4
17*	SEAL; UHMWPE	4
22*	O-RING; PTFE encapsulated fluoroelastomer; 1.07 in. (27 mm) OD	1
23*	O-RING; PTFE; 2.32 in. (59 mm) OD	1
25*	PACKING, piston; 5.75 in.; UHMWPE (Kit 243729)	1
25*	PACKING, piston; 5.75 in.; PTFE (Kit 235854)★	1

★ Use PTFE seals only when required for chemical compatibility. PTFE seals may result in a reduced cycle life.

## Throat Packing Kits

**NOTE:** The lowers listed in this manual **must** use the throat packing kits listed below. **Do not** use kits for older-style lowers (see manual 311832) with these lowers. The throat packing gland height has changed.

**NOTE:** See FIG. 4 on page 12. For best results, install the TSL Pump Repair Kit 24F618 each time the throat packings are changed.

**For 3000cc Lowers:** Part Nos. 24F448, 24F449, and 24F450.

**For 4000cc Lowers:** Part Nos. 24F451, 24F452, and 24F453.

### Standard Throat Packing Kit 24F247

With leather and UHMWPE throat packings.

Ref. No.	Description	Qty.
30†	V-PACKING; UHMWPE	6
31†	V-PACKING; leather	4
32†	GLAND, female	1
33†	GLAND, male	2
52†	O-RING; PTFE; 1.75 in. (44 mm) OD; (see FIG. 4)	2

### Throat Packing Conversion Kit 24F248

With PTFE throat packings.

Ref. No.	Description	Qty.
30†	V-PACKING; PTFE★	10
32†	GLAND, female	1
33†	GLAND, male	2
52†	O-RING; PTFE; 1.75 in. (44 mm) OD; (see FIG. 4)	2

### Throat Packing Conversion Kit 24J442

With leather and PTFE throat packings.

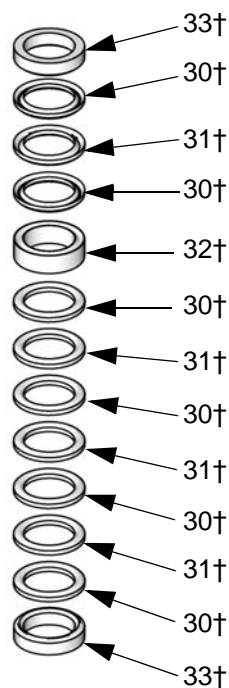
Ref. No.	Description	Qty.
30†	V-PACKING; PTFE★	6
31†	V-PACKING; leather	4
32†	GLAND, female	1
33†	GLAND, male	2
52†	O-RING; PTFE; 1.75 in. (44 mm) OD	2

### Throat Packing Conversion Kit 26A030

With UHMWPE and PTFE throat packings.

Ref. No.	Description	Qty.
30†	V-PACKING; UHMWPE	6
31†	V-PACKING; PTFE★	4
32†	GLAND, female	1
33†	GLAND, male	2
52†	O-RING; PTFE; 1.75 in. (44 mm) OD	2

★ Use PTFE seals only when required for chemical compatibility. PTFE seals may result in a reduced cycle life.



**NOTE:** Kits 24F247 and 24F248 also include item 52 (qty 2); see FIG. 4.

**NOTE:** Kit 24F248 uses all ptfе packings (30) in place of item 31.

TI15573a

FIG. 5. Throat Packing Detail (3000cc and 4000cc)

### TSL Pump Repair Kit 24F618

**NOTE:** See FIG. 4 on page 12.

Ref. No.	Description	Qty.
35◆	SPRING, compression	1
36◆	SEAL, piston, TSL pump	1
51◆	O-RING; fluoroelastomer; 2.25 in. (57 mm) OD	2



# Graco Information

For the latest information about Graco products, visit [www.graco.com](http://www.graco.com).

For patent information, see [www.graco.com/patents](http://www.graco.com/patents).

**TO PLACE AN ORDER**, contact your Graco distributor or call to identify the nearest distributor.

**Phone:** 612-623-6921 **or Toll Free:** 1-800-328-0211 **Fax:** 612-378-3505

*All written and visual data contained in this document reflects the latest product information available at the time of publication.  
Graco reserves the right to make changes at any time without notice.*

Original instructions. This manual contains English. MM 3A0872

**Graco Headquarters:** Minneapolis

**International Offices:** Belgium, China, Japan, Korea

**GRACO INC. AND SUBSIDIARIES • P.O. BOX 1441 • MINNEAPOLIS, MN 55440-1441 • USA**

**Copyright 2010, Graco Inc. All Graco manufacturing locations are registered to ISO 9001.**

[www.graco.com](http://www.graco.com)

Revision E, January 2017