

## Complete RPS 2900 Pump Kit for RoadLazer™ RoadPak™ Line Striping System

3A1304C

EN




### Model 24G766



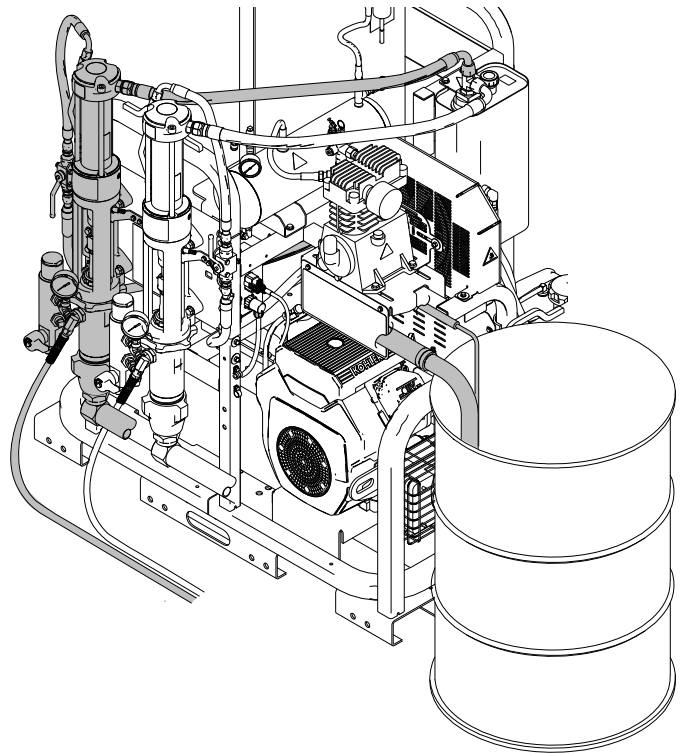
#### Important Safety Instructions

For complete warnings and safety instructions see RoadLazer™ RoadPak™ Line Striper System manual. Save these instructions.

### Pressure Relief Procedure

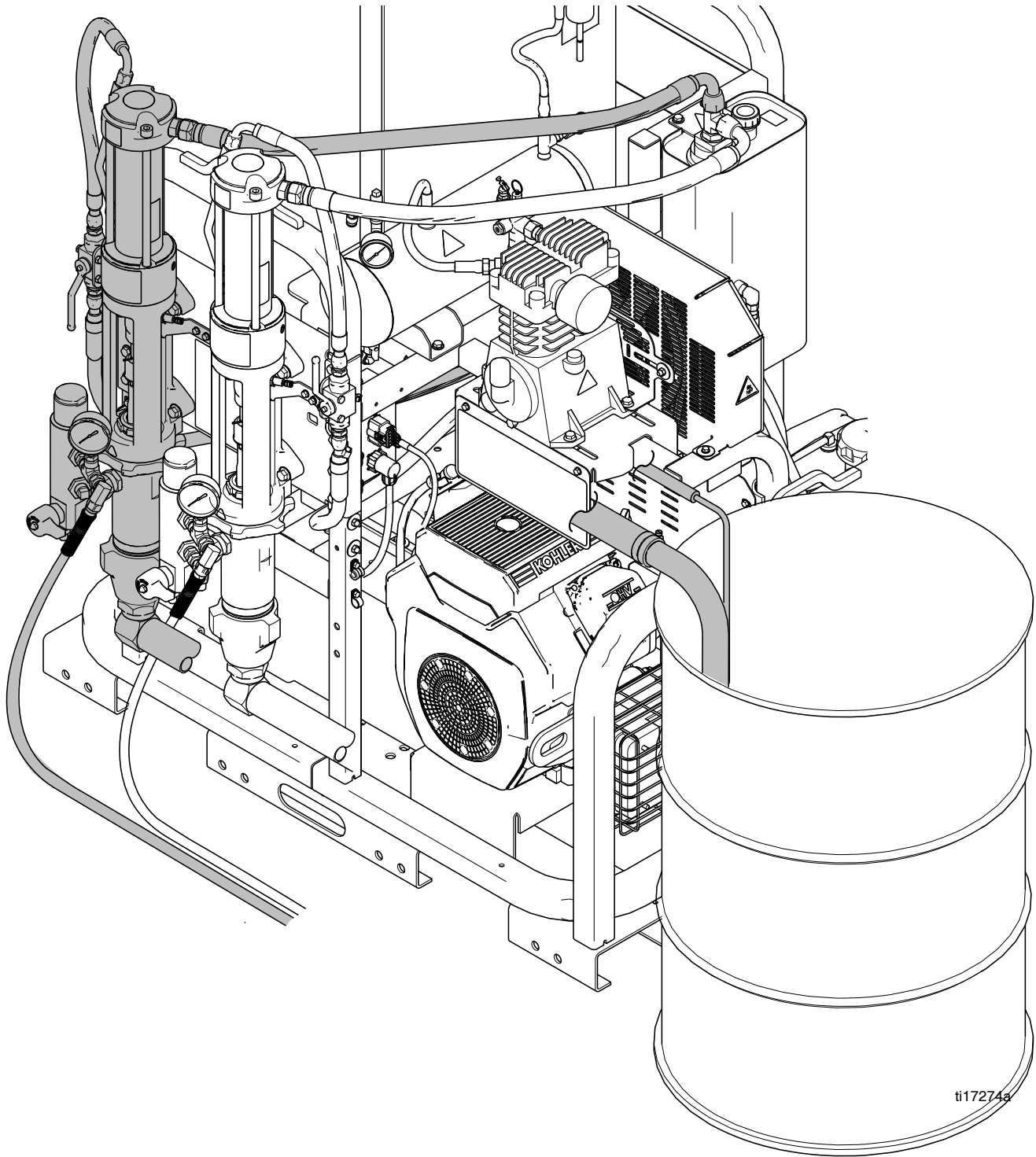
			
<p>The system pressure must be manually relieved to prevent the system from starting or spraying accidentally. Fluid under high pressure can be injected through the skin and cause serious injury. To reduce the risk of an injury from injection, splashing fluid, or moving parts, follow the <b>Pressure Relief Procedure in RoadLazer RoadPak Line Striping System manual</b> whenever you:</p> <ul style="list-style-type: none"><li>• are instructed to relieve the pressure</li><li>• stop spraying</li><li>• check or service any of the system equipment</li><li>• install or clean the spray tip</li></ul>			

1. Flush the system. See **Flush System** in RoadLazer RoadPak Line Striping System manual.
2. Relieve pressure. See **Pressure Relief Procedure** in RoadLazer RoadPak Line Striping System manual.



ti11724a

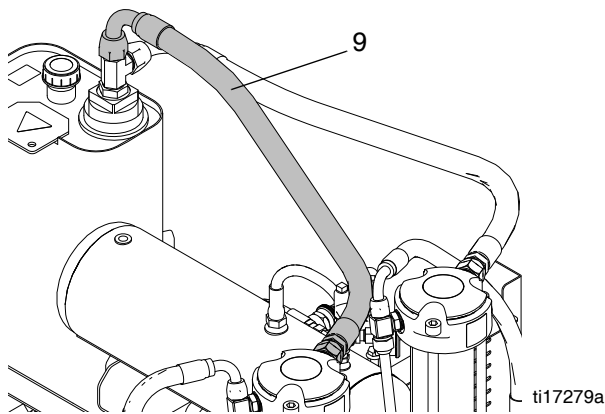
# Hose Routing to Pumps and Tanks



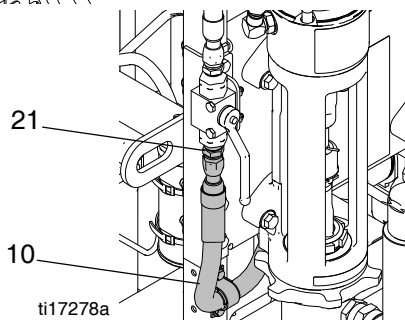
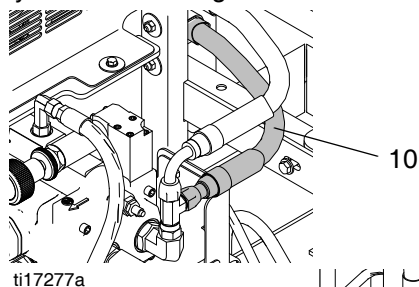
ti17274a

# Second Pump Installation

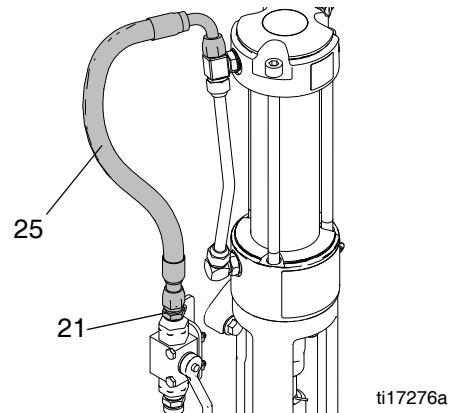
1. Install four mounting bolts (6) to mounting plate.
2. Lift pump over mounting bolts (6) and slide down into position. Torque bolts to 33 ft-lb (45 N•m).
3. For mounting "A", remove two bolts (aa) from mounting plate. Hold hydraulic valve bracket (7) in place, replace two bolts (aa) and tighten firmly. For mounting "B", use bolt (20) and nut (14) to mount valve (8) to pump mounting plate tab.
4. Turn hydraulic ball valve to closed position. Install hydraulic valve and bracket. Make sure the handle is positioned away from the RPS2900 pump.
5. Remove cap from top of hydraulic tank tee fitting. Attach hydraulic line and route line (9) through the top of the pump. Attach hydraulic line fitting.



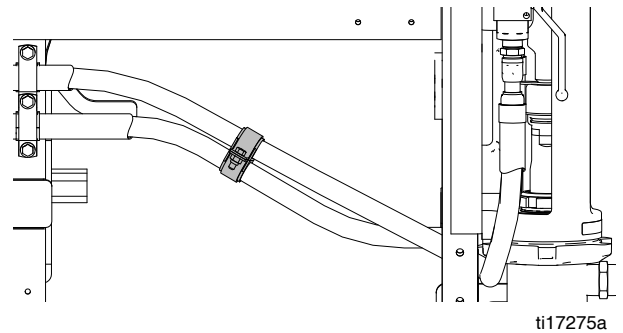
6. Remove cap from top of hydraulic pump tee fitting. Attach hydraulic line (10) and route line to inlet of ball valve. Install hose fitting adaptor (21) and attach hydraulic line fitting.



7. Install hose fitting adaptor (21) and attach hydraulic line (25) to outlet of ball valve. Route and secure hose to pump inlet.

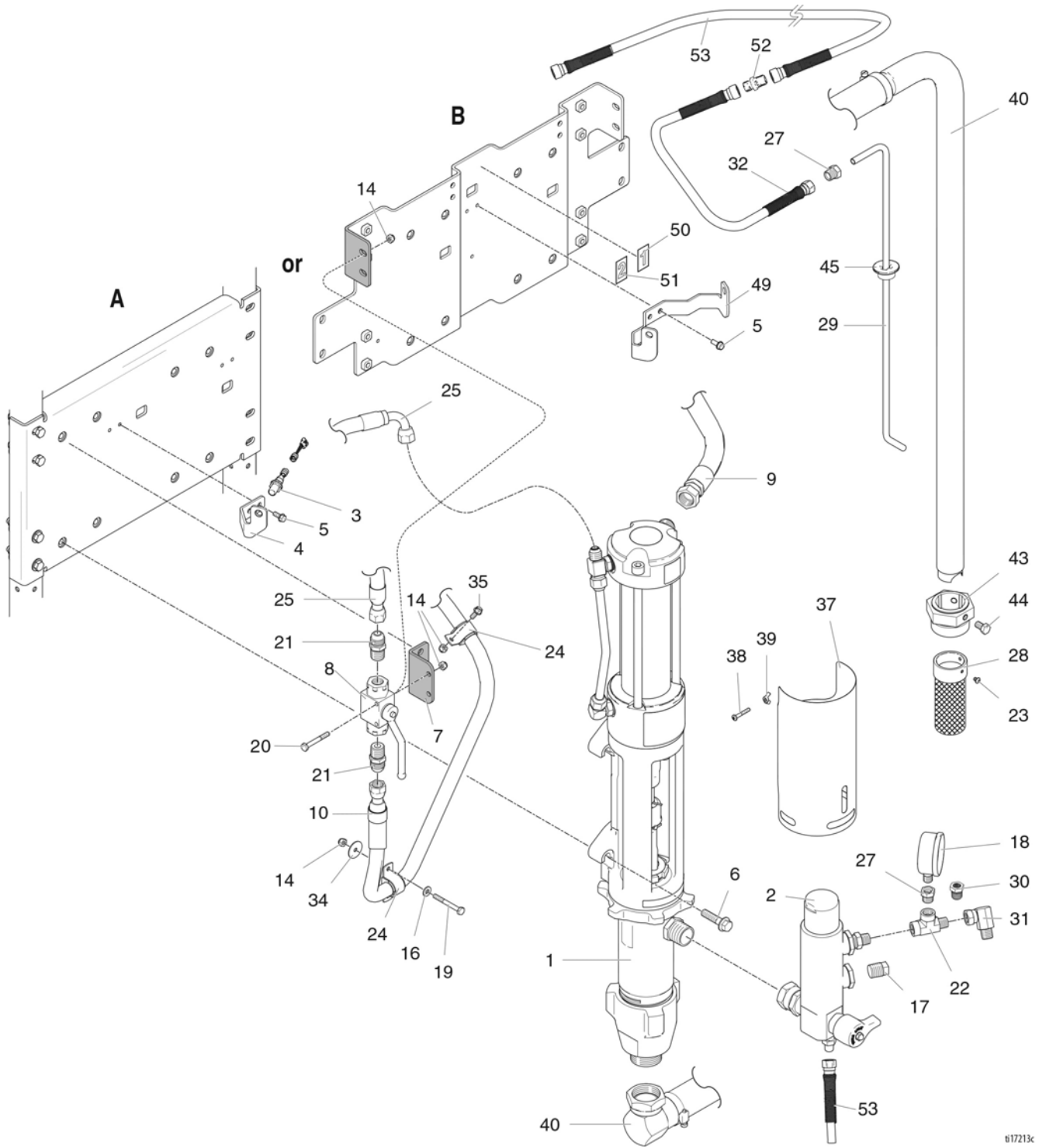


8. Secure hydraulic line with provided clamps and fasteners in locations shown below.



9. Start hydraulic pump, slowly turn the hydraulic ball in line with the hoses and stroke the pump 3-4 times. Check the hydraulic reservoir level and fill as necessary. Run the pump slowly for several cycles to purge any air from the hydraulic lines. Check the hydraulic reservoir level and fill as necessary.
10. Install pump filter (2) onto pump. **NOTE:** Filter (2) should be positioned similar to the factory-installed pump and filter.
11. Install gallon counter bracket (4) or (49) and tighten two bolts (5).
12. Thread gallon counter (3) into installed bracket (4) or (49) until flush against piston shaft and then unscrew one half turn. Use jam nuts to secure into position.
13. Attach drain line (29, 30, 32, 52, 53) to bottom of pump filter (2).
14. Attach suction tube (40) to bottom of pump (1).

# Parts



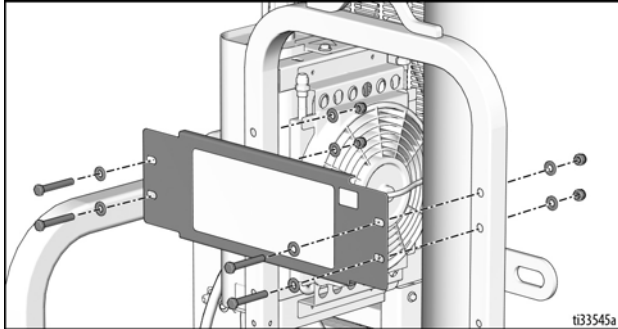
017213c

## Parts List - 24G766

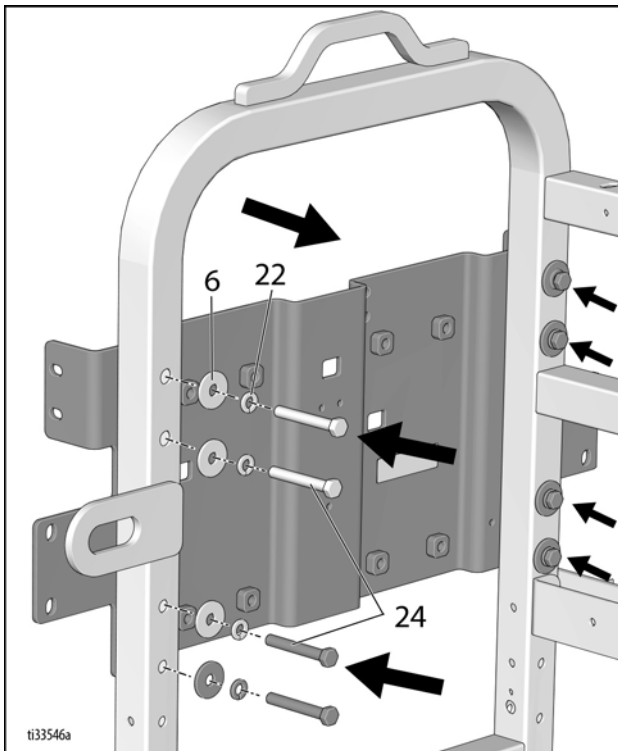
Ref.	Part	Description	Qty.	Ref.	Part	Description	Qty.
1	24G767	PUMP, RPS 2900	1	27	168160	BUSHING, pipe	1
2	24G986	FILTER, Assembly, RPS 2900	1	28	16G692	STRAINER, inlet	1
3	16J511	SENSOR, proximity, 12 mm	1	29	16G707	TUBE, drain	1
4	16G421	BRACKET, sensor	1	30	196180	BUSHING	1
5	112774	SCREW, mach, sltd hex wash HD	2	31	207123	UNION, swivel, 90 deg	1
6	120226	SCREW, hex HD, flange	4	32	245798	HOSE, cpld, 1/4 in. x 7 ft	1
7	16G414	BRACKET, ball valve	1	34	159346	WASHER	3
8	120140	VALVE, ball, assembly	1	35	108296	SCREW, mach, hex wash HD	2
9	16G037	HOSE, coupled	1	37	16H585	SHIELD, pump	1
10	16G035	HOSE, coupled	1	38	111235	SCREW, mach, pnh	1
11	222385	TAG, warning (not shown)	1	39	120317	NUT, wing	1
14	102040	NUT, lock, hex	7	40	24G726	HOSE, suction	1
16	110755	WASHER, plain	3	41	110110	SEALANT, pipe, sst (not shown)	2
17	124489	PLUG, pipe	1	43	260384	ADAPTER, bung, machining	1
18	102814	GAUGE, press, fluid	1	44	15D008	BOLT, 3/8-16, 316 sst	2
19	105171	SCREW, cap, hex, 1/4 x 2 1/4	3	45	16J716	PLUG, 3/4 drum, with hole	1
20	110982	SCREW, cap, hex HD	2	49	17U025	BRACKET, sensor, dual	1
21	120304	FITTING, nipple, straight	2	50	17C043	LABEL, designation (#1)	1
22	124490	FITTING, tee, street	1	51	17C046	LABEL, designation (#2)	1
23	125320	SCREW, mach., phillips rnd HD	2	52	196181	FITTING, nipple	1
24	125005	CLAMP, hose, cushion, 7/8 ID	4	53	249232	HOSE, 1/4" x 3'	1
25	15G783	HOSE, coupled	1				

# Third & Fourth Pump Installation

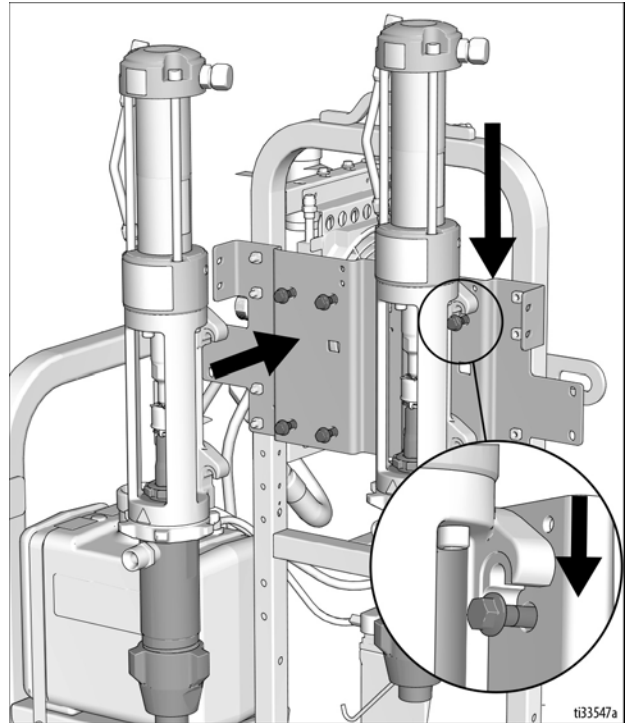
1. Remove label plate.



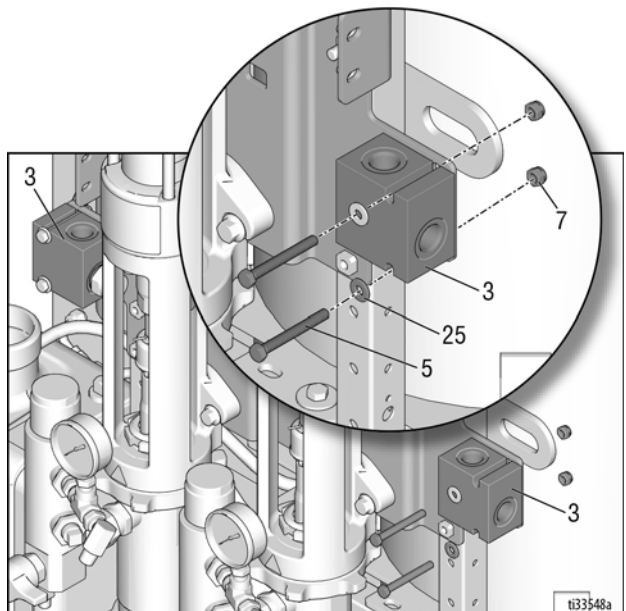
2. Use bolts (24), lock washers (22), and washer (6) to mount pump plate.



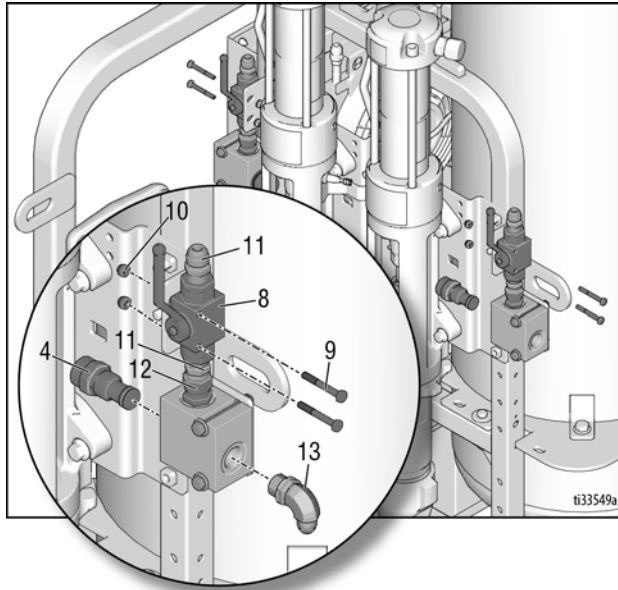
3. Install pump mounting bolts (23) into pump mounting plate (leave enough space to slide pump onto bolts). Lift pump over mounting bolts (23) and slide down into position. Torque bolts to 33 ft-lb (45 N·m).



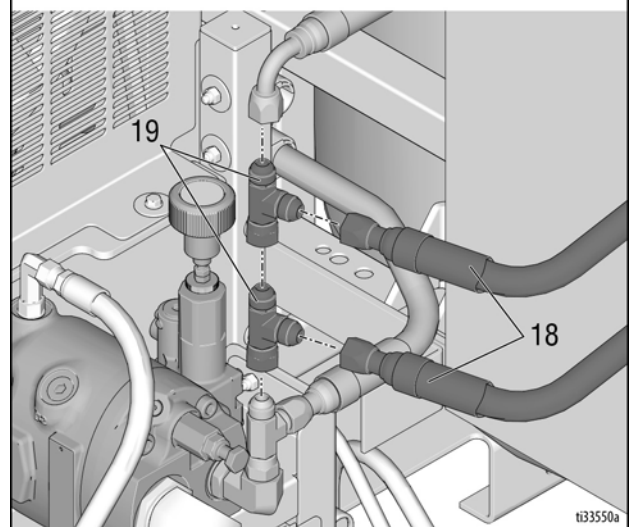
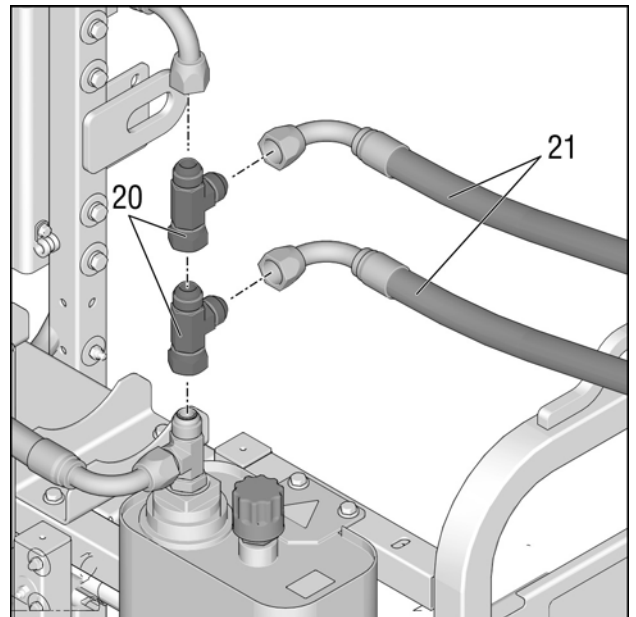
4. Install flow regulator housings (3) using screws (5), washers (25), and nuts (7). Leave fasteners hand-tightened only.



5. Install cartridge(s) (4), fitting(s) (11, 12 & 13), and valve (8). Tighten so no leaking occurs. Mount valve(s) (8) using screws (9) and nuts (10), then tighten all mounting hardware for housing(s) (3) and valve(s) (8).

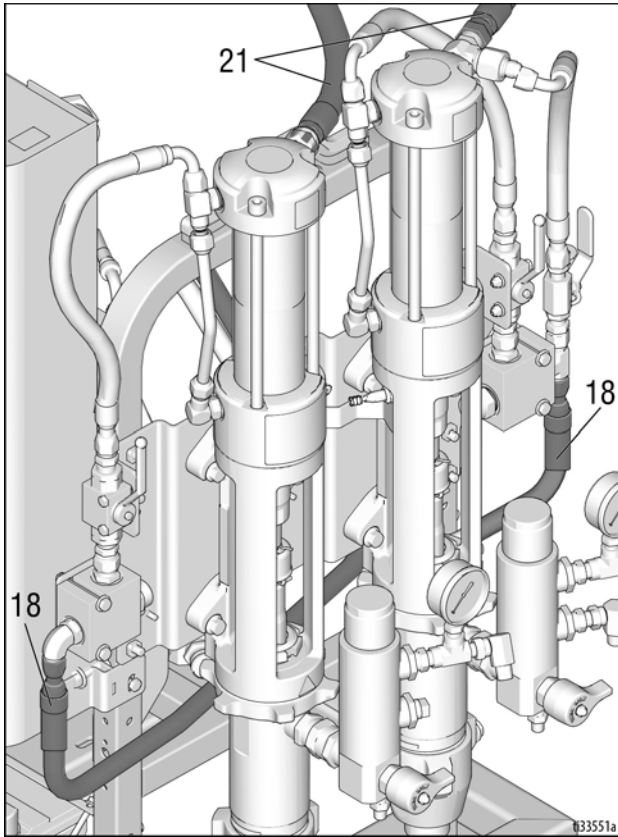


6. Install T-fitting(s) (20) at top of reservoir and T-fitting(s) (19) at the hydraulic pump. Connect hose(s) (21) to fitting(s) (20), and hose(s) (18) to fitting(s) (19). If only installing one additional paint pump, only use one of each fitting (19 & 20).

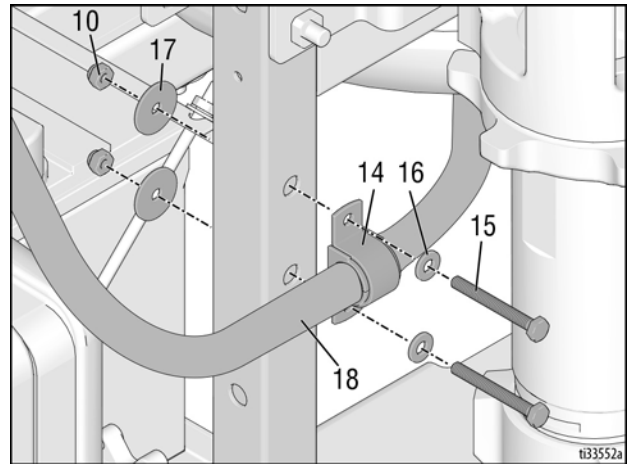


Third & Fourth Pump Installation

7. Connect hose (21) to pump hydraulic outlet(s), and hose (18) to pump hydraulic inlet(s).



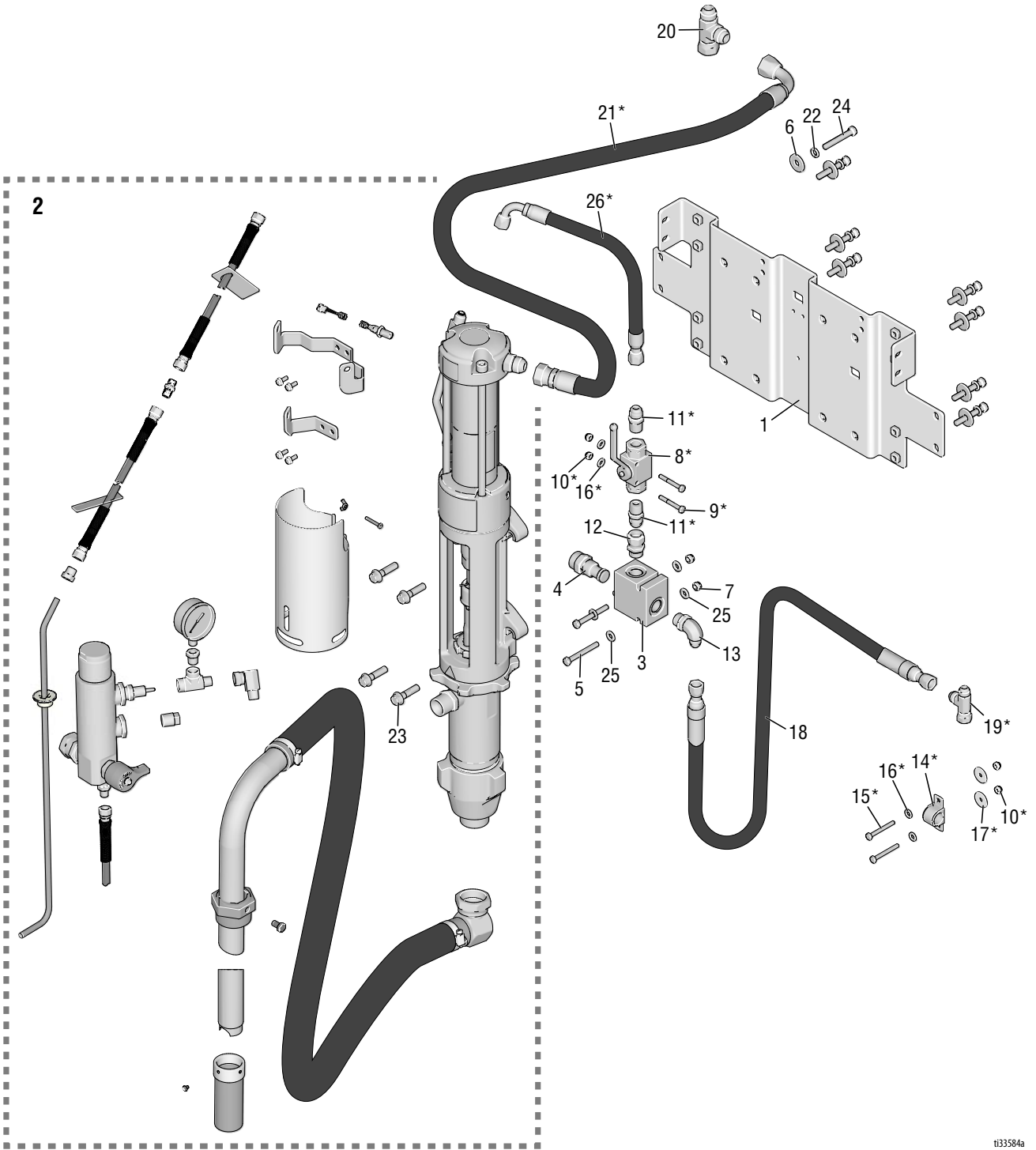
8. Install hose clamp (14) to secure hose (18) using screws (15), washers (16 & 17) and nuts (10).



9. Connect drain line assembly (29, 30, 32, 52, 53) to bottom of pump filter housing.
10. Connect suction hose to bottom of pump.
11. Tighten all fittings and hose connections. Restart the RoadPak with the pressure at zero, then slowly increase the pressure to check for leaks. Allow the pump to stroke 3-4 times then check the hydraulic reservoir level and fill as necessary.



# Parts



t33584a

# Parts List

## Adding third pump only

Ref.	Part	Description	Qty.
1	17U276	PLATE, mounting, pump	1
2†	24G766	KIT, RPS 2900 pump	1
3	17U016	HOUSING, flow regulator	1
4	17U017	CARTRIDGE, flow regulator	1
5	113664	SCREW, cap, hex hd	2
6	108851	WASHER, plain	8
7	111040	NUT, lock, 5/16	2
8*	120140	VALVE, ball	1
9*	110982	SCREW, cap, hex hd	2
10*	102040	NUT, lock	4
11*	120304	FITTING, nipple, straight	2
12	17U325	FITTING, swivel, connector	1
13	17U319	FITTING, elbow, JIC-8 x ORB-10	1
14*	125005	CLAMP, hose, cushion, 7/8" ID	1
15*	105171	SCREW, cap, hex	2
16*	110755	WASHER, plain	2
17*	159346	WASHER, fender	2
18	16G034	HOSE, hydraulic, coupled	1
19	124770	FITTING, tee, JIC-8, swivel	1
20	131503	FITTING, tee, JIC-12, swivel	1
21*	16G037	HOSE, hydraulic, coupled	1
22	100133	WASHER, lock, 3/8"	8
23*	120226	BOLT, hex hd, flanged	4
24	516595	BOLT, hex hd, 3/8"	8
25	100527	WASHER, plain	4
26*	15G783	HOSE, coupled	1

† Includes all items from 24G766 parts list  
 \* Included in Pump Repair Kit 24G766

## Adding third & fourth pumps

Ref.	Part	Description	Qty.
1	17U276	PLATE, mounting, pump	1
2†	24G766	KIT, RPS 2900 pump	2
3	17U016	HOUSING, flow regulator	2
4	17U017	CARTRIDGE, flow regulator	2
5	113664	SCREW, cap, hex hd	4
6	108851	WASHER, plain	8
7	111040	NUT, lock, 5/16	4
8*	120140	VALVE, ball	2
9*	110982	SCREW, cap, hex hd	4
10*	102040	NUT, lock	8
11*	120304	FITTING, nipple, straight	4
12	17U325	FITTING, swivel, connector	2
13	17U319	FITTING, elbow, JIC-8 x ORB-10	2
14*	125005	CLAMP, hose, cushion, 7/8" ID	2
15*	105171	SCREW, cap, hex	4
16*	110755	WASHER, plain	4
17*	159346	WASHER, fender	4
18	16G034	HOSE, hydraulic, coupled	2
19	124770	FITTING, tee, JIC-8, swivel	2
20	131503	FITTING, tee, JIC-12, swivel	2
21*	16G037	HOSE, hydraulic, coupled	2
22	100133	WASHER, lock, 3/8"	8
23*	120226	BOLT, hex hd, flanged	8
24	516595	BOLT, hex hd, 3/8"	8
25	100527	WASHER, plain	8
26*	15G783	HOSE, coupled	2

† Includes all items from 24G766 parts list  
 \* Included in Pump Repair Kit 24G766

# Graco Standard Warranty

Graco warrants all equipment referenced in this document which is manufactured by Graco and bearing its name to be free from defects in material and workmanship on the date of sale to the original purchaser for use. With the exception of any special, extended, or limited warranty published by Graco, Graco will, for a period of twelve months from the date of sale, repair or replace any part of the equipment determined by Graco to be defective. This warranty applies only when the equipment is installed, operated and maintained in accordance with Graco's written recommendations.

This warranty does not cover, and Graco shall not be liable for general wear and tear, or any malfunction, damage or wear caused by faulty installation, misapplication, abrasion, corrosion, inadequate or improper maintenance, negligence, accident, tampering, or substitution of non-Graco component parts. Nor shall Graco be liable for malfunction, damage or wear caused by the incompatibility of Graco equipment with structures, accessories, equipment or materials not supplied by Graco, or the improper design, manufacture, installation, operation or maintenance of structures, accessories, equipment or materials not supplied by Graco.

This warranty is conditioned upon the prepaid return of the equipment claimed to be defective to an authorized Graco distributor for verification of the claimed defect. If the claimed defect is verified, Graco will repair or replace free of charge any defective parts. The equipment will be returned to the original purchaser transportation prepaid. If inspection of the equipment does not disclose any defect in material or workmanship, repairs will be made at a reasonable charge, which charges may include the costs of parts, labor, and transportation.

**THIS WARRANTY IS EXCLUSIVE, AND IS IN LIEU OF ANY OTHER WARRANTIES, EXPRESS OR IMPLIED, INCLUDING BUT NOT LIMITED TO WARRANTY OF MERCHANTABILITY OR WARRANTY OF FITNESS FOR A PARTICULAR PURPOSE.**

Graco's sole obligation and buyer's sole remedy for any breach of warranty shall be as set forth above. The buyer agrees that no other remedy (including, but not limited to, incidental or consequential damages for lost profits, lost sales, injury to person or property, or any other incidental or consequential loss) shall be available. Any action for breach of warranty must be brought within two (2) years of the date of sale.

**GRACO MAKES NO WARRANTY, AND DISCLAIMS ALL IMPLIED WARRANTIES OF MERCHANTABILITY AND FITNESS FOR A PARTICULAR PURPOSE, IN CONNECTION WITH ACCESSORIES, EQUIPMENT, MATERIALS OR COMPONENTS SOLD BUT NOT MANUFACTURED BY GRACO.** These items sold, but not manufactured by Graco (such as electric motors, switches, hose, etc.), are subject to the warranty, if any, of their manufacturer. Graco will provide purchaser with reasonable assistance in making any claim for breach of these warranties.

In no event will Graco be liable for indirect, incidental, special or consequential damages resulting from Graco supplying equipment hereunder, or the furnishing, performance, or use of any products or other goods sold hereto, whether due to a breach of contract, breach of warranty, the negligence of Graco, or otherwise.

## **FOR GRACO CANADA CUSTOMERS**

The Parties acknowledge that they have required that the present document, as well as all documents, notices and legal proceedings entered into, given or instituted pursuant hereto or relating directly or indirectly hereto, be drawn up in English. Les parties reconnaissent avoir convenu que la rédaction du présente document sera en Anglais, ainsi que tous documents, avis et procédures judiciaires exécutés, donnés ou intentés, à la suite de ou en rapport, directement ou indirectement, avec les procédures concernées.

# Graco Information

For the latest information about Graco products, visit [www.graco.com](http://www.graco.com).

For patent information, see [www.graco.com/patents](http://www.graco.com/patents).

**TO PLACE AN ORDER**, contact your Graco distributor or call 1-800-690-2894 to identify the nearest distributor.

*All written and visual data contained in this document reflects the latest product information available at the time of publication.  
Graco reserves the right to make changes at any time without notice.*

Original instructions. This manual contains English. MM 3A1304

**Graco Headquarters:** Minneapolis

**International Offices:** Belgium, China, Japan, Korea

**GRACO INC. P.O. BOX 1441 MINNEAPOLIS, MN 55440-1441**

**Copyright 2010, Graco Inc. is registered to ISO 9001**

[www.graco.com](http://www.graco.com)

Revision C, March 2018