

VALUE-LINE® 1", 2" & 3" (DN 25, 50 & 80) SERIES 6FRF FULL-BORE FLANGED BY THREADED-END BALL VALVES (AAR NO. E089014)

The 6FRF ball valve is a member of the Jamesbury® *Value-Line* Series which offers the benefits of proven quality and design performance with economy not previously available in high-performance ball valves. Its full-bore configuration and class 150 pressure rating make it an ideal choice for the majority of applications where tight shut-off is required.

FEATURES

Tight Shut-off

- The *Jamesbury* proven self-relieving seat design incorporates a flexible lip that automatically compensates for fluctuations in pressure and temperature.

Design

- Body cap tack-welded to body for superior integrity.
- Body cap end is NPT threaded per ASME B1.20.1 and body end is an ASME B16.5, Class 150 raised face flange.

High Flow Capacity

- Full-bore design for maximum flow.

Anti-Blow-Out Stem

- Internal entry stem provides positive stem retention.

Fire-Tite® Design

- All *Jamesbury* tank car ball valves have the *Fire-Tite* design. In the event of a fire with resultant destruction of the PTFE seats, a secondary metal seating surface provides for continuing effective shutoff of flow through the valve.

Excellent Corrosion Resistance

- Available in all stainless steel construction.



SPECIFICATIONS

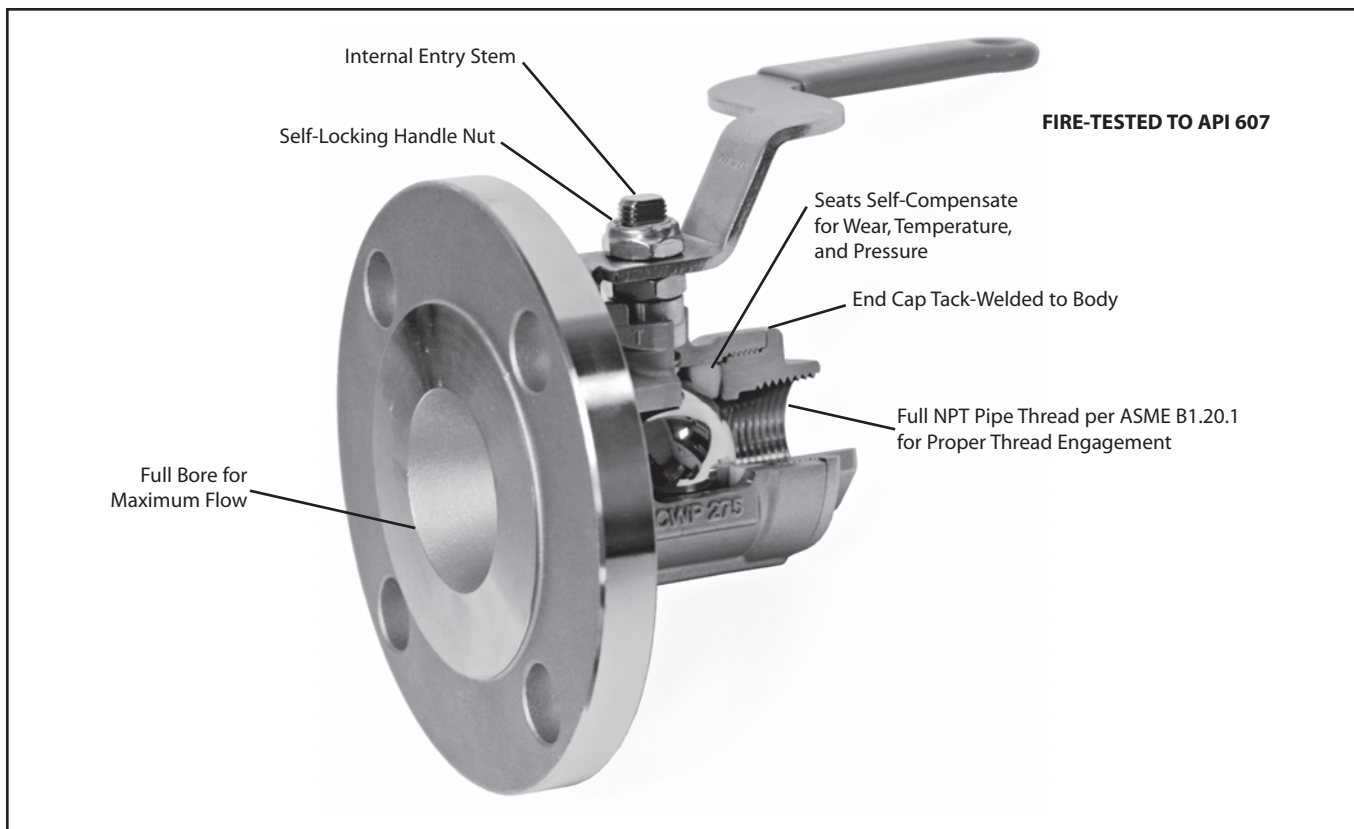
Valve Body Ratings

These are the maximum working pressure ratings of the valve body only. The seat ratings on page 2 determine the practical pressure limitation in actual service. Working pressure rating is 285 PSI at -20° F to +100°F (-29°C to +38°C) for carbon steel and 275 PSI at -60°F to +100°F (-51°C to +38°C) for stainless steel body materials.

Flow Data

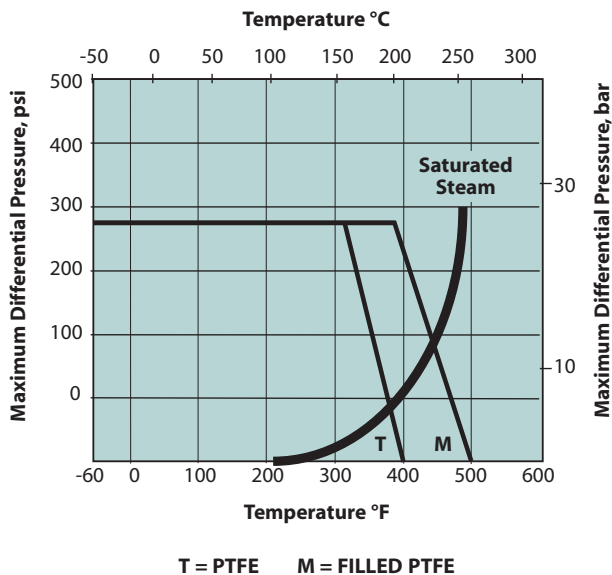
The table below provides flow coefficients for Series 6FRF valves. The C_v values represent the flow of water at +60°F (+17°C) through the valve in U.S. Gallons per minute at a pressure drop of 1 psi (bar).

Valve Size		C_v
Inches	DN	
1	25	65
2	50	251
3	80	1160

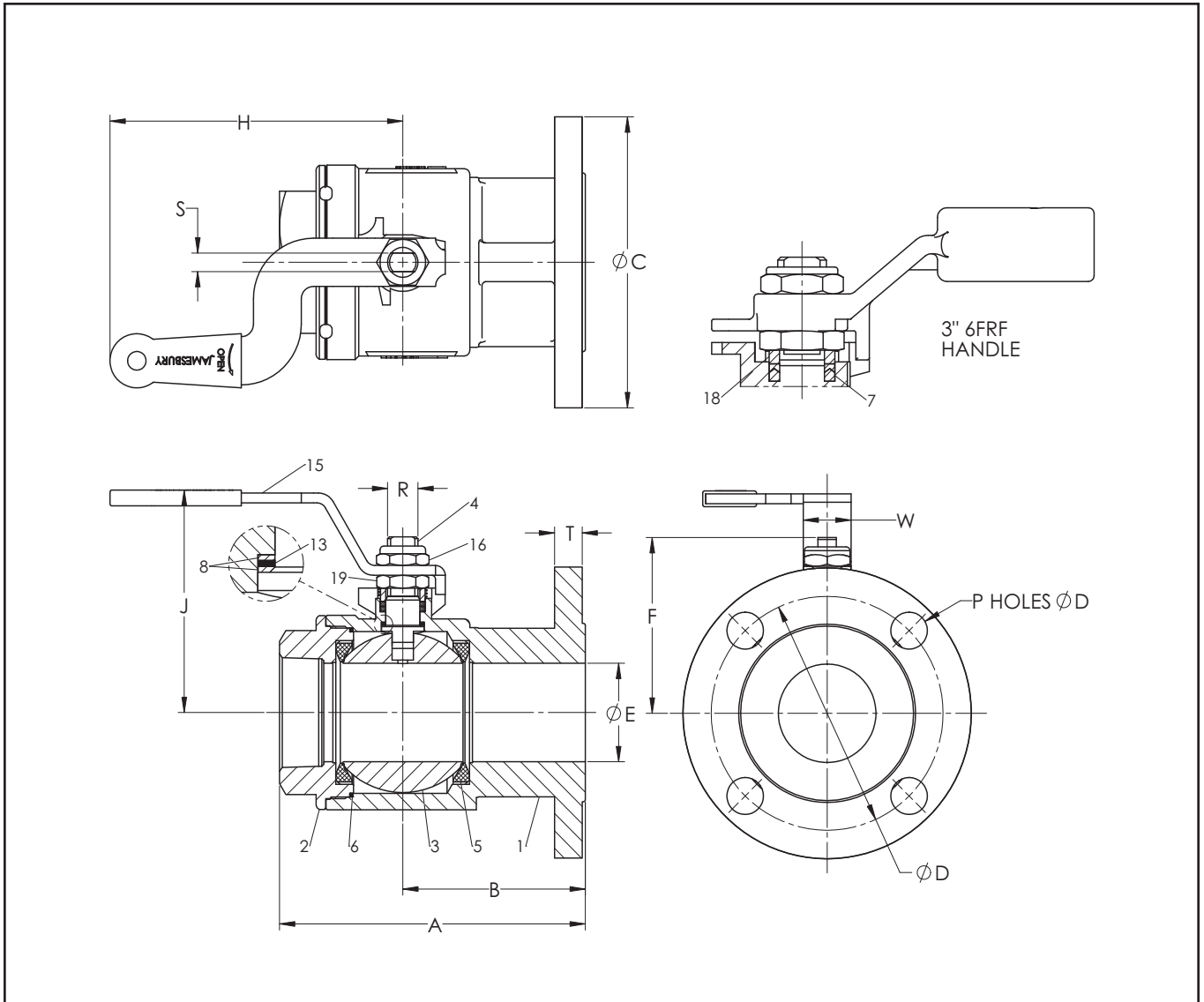


Valve Seat Ratings

These ratings, shown in the graph at right, are based on differential pressure with the valve ball in the fully closed position and refer to seats only. Valves in carbon steel are suitable for service to -20°F (-29°C); valves in stainless steel to -60°F (-51°C).



DIMENSIONS



Valve Size inches	DIMENSIONS - inches														Approx. Weight lb
	A	B	ØC	ØD	E	F	J	H	ØN	P	R	S	T	W	
1	4.09	2.15	5.91	4.75	1.00	2.63	3.25	6.00	0.75	4	0.50	0.31	0.56	0.88	7.0
2	6.26	3.74	5.91	4.75	2.00	3.56	4.52	6.00	0.75	4	0.63	0.37	0.56	0.98	13.5
3	8.27	4.59	7.48	6.00	3.00	5.68	6.54	5.98	0.75	4	1.00	0.67	0.69	1.05	35.0

Valve Size DN	DIMENSIONS - mm														Approx. Weight kg
	A	B	ØC	ØD	E	F	J	H	ØN	P	R	S	T	W	
25	104	55	150	120.7	25	67	83	154	19	4	13	8	14.3	22	3.2
50	159	95	150	120.7	50	90	115	154	19	4	16	9	14.3	25	6.1
80	210	117	190	152.4	76	144	166	152	19	4	25	17	17.5	27	15.9

- ØC = flange O.D.
- ØD = bolt circle
- ØN = bolt hole dia.
- P = No. of holes
- T = flange thickness

BILL OF MATERIALS AND PARTS LIST

Part Number	Quantity	Part Name	Carbon Steel	316 Stainless Steel
1	1	Body	A216-WCB - Carbon steel	A351-CF8M - Stainless steel
2	1	Body Cap	A216-WCB - Carbon steel	A351-CF8M - Stainless steel
3	1	Ball	316 Stainless steel	
4	1	Stem	316 Stainless steel	
5	2	Seal	PTFE/Filled PTFE	
6	1	Body Seal	Graphite	
7	2	Stem Seal	PTFE	
8	2	Stem Bearing	PTFE/Filled PTFE	
13	1	Secondary Stem Seal	Graphite	
15	1	Handle	Carbon steel	304 Stainless steel
16	1	Self Locking Stem Nut	304 Stainless steel	
18	1	Compression Ring	304 Stainless steel	
19	1	Packing Nut	304 Stainless steel	

HOW TO ORDER SERIES 6FRF BALL VALVES

To specify Series 6FRF ball valves, choose the appropriate code from each of the boxes shown at right.

EXAMPLE: The valve specified is a 2" Series 6FRF Full-bore flanged by-threaded ball valve constructed of carbon steel body, 316 stainless steel ball and stem, and PTFE seats and seal.

1		2	—	3		4
2"		6FRF		2236		TT

1	Size
1	1" (DN 25) *
2	2" (DN 50)
3	3" (DN 80)

* 1" size has 2" body flange

2	Series
6FRF	Series 6FRF Full-bore Ball Valve

3	Body / Trim Material
2236	Carbon Steel Body / 316 Stainless Steel Trim
3600	316 Stainless Steel Body / Trim

4	Seat / Seal Material
TT	PTFE / PTFE **
MT	Filled PTFE / PTFE **

** With graphite secondary stem and body seal

Subject to change without prior notice.

Metso Flow Control Inc.

Europe, Vanha Porvoontie 229, P.O. Box 304, FI-01301 Vantaa, Finland.
Tel. +358 20 483 150. Fax +358 20 483 151

North America, 44 Bowditch Drive, P.O. Box 8044, Shrewsbury, MA 01545, USA.
Tel. +1 508 852 0200. Fax +1 508 852 8172

South America, Av. Independência, 2500- Iporanga, 18087-101, Sorocaba-São Paulo Brazil.
Tel. +55 15 2102 9700. Fax +55 15 2102 9748/49

Asia Pacific, Haw Par Centre #06-01, 180 Clemenceau Avenue, Singapore 239922.
Tel. +65 6511 1011. Fax +65 6250 0830

China, 11/F, China Youth Plaza, No.19 North Rd of East 3rd Ring Rd, Chaoyang District, Beijing 100020, China.
Tel. +86 10 6566 6600. Fax +86 10 6566 2583.

Middle East, Roundabout 8, Unit AB-07, P.O. Box 17175, Jebel Ali Freezone, Dubai, United Arab Emirates.
Tel. +971 4 883 6974. Fax +971 4 883 6836

www.metso.com/valves

