

Front Mount Connector

334999B

EN

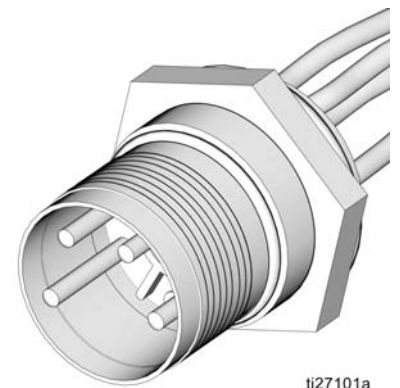
Field wire-able connector used to adapt Dyna-Star® HP and HF Pumps for use with Power Cable Kit 77X545 or Power Cable With Vent Valve Connector Kit 77X546. For professional use only.

Kit No.: 77X551



Important Safety Instructions

Read all warnings and instructions in this manual and in the Dyna-Star HP and HF Pump Manual. Save all instructions.



ti27101a

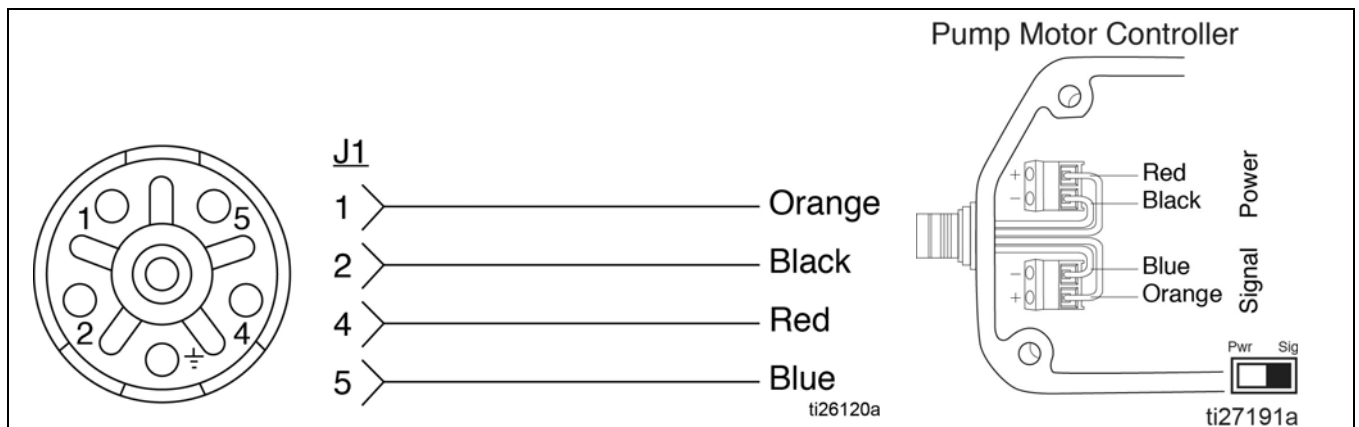



FIG. 1

Instructions


WARNING

FIRE AND EXPLOSION HAZARD

When flammable fluids are present in the work area, such as gasoline and windshield wiper fluid, be aware that flammable fumes can ignite or explode. To help prevent fire and explosion:

- Use equipment only in well ventilated area.
- Eliminate all ignition sources, such as cigarettes and portable electric lamps.
- Ground all equipment in the work area.
- Keep work area free of debris, including rags and spilled or open containers of solvent and gasoline.
- Do not plug or unplug power cords or turn lights on or off when flammable fumes are present.
- **Stop operation immediately** if static sparking occurs or you feel a shock. Do not use equipment until you identify and correct the problem.
- Keep a working fire extinguisher in the work area.

ELECTRIC SHOCK HAZARD

All electrical wiring must be done by a qualified electrician and comply with all local codes and regulations.

PERSONAL PROTECTIVE EQUIPMENT

Wear appropriate protective equipment when in the work area to help prevent serious injury, including eye injury, hearing loss, inhalation of toxic fumes, and burns.

Protective equipment includes but is not limited to:

- eye wear
- hearing protection
- a respirator
- protective clothing and gloves as recommended by the fluid and solvent manufacturer.

1. Disconnect Dyna-Star pump from main power source and disconnect power cable from pump.
2. Disconnect timer/controller (user supplied, if used).
3. Remove screws (116), control box seal (119) and control box cover (120) from gear housing box (101) (FIG. 2).

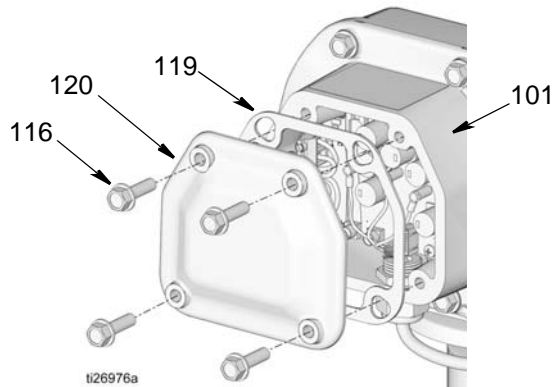


FIG. 2

4. Disconnect power input wire leads (A and B) and pump control connection wire leads (C and D) from terminals.

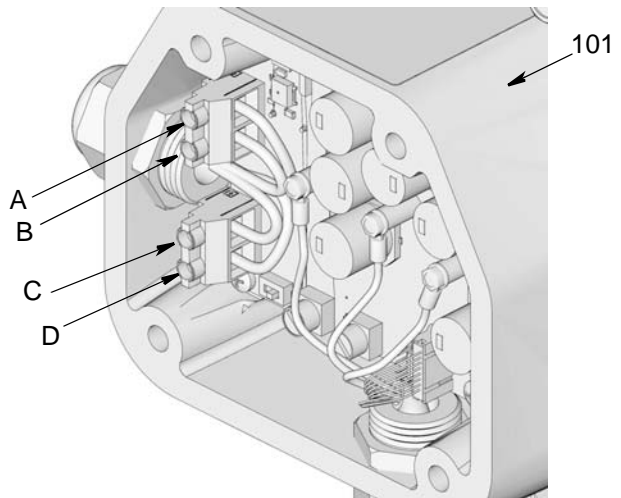


FIG. 3

5. Loosen and remove wiring harness and cable gland (if used) from the gear housing box (101).
6. Install new front mount connector (1) (included in kit) through the hole in the side of the gear housing box (101).

NOTE: Make sure o-ring (1a) is in place on the cable mount connector (FIG. 4). Take care to not damage the o-ring when tightening the cable harness.

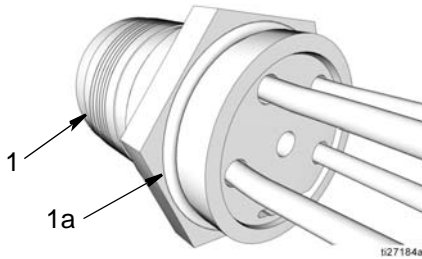


FIG. 4

7. Tighten front mount connector (1) securely. Then torque to 7.4 to 8.4 ft. lbs (10 to 11.4 N•m).
8. Connect wire leads to power input (A and B) and pump signal connections (C and D) (FIG. 3). Torque to 5.5 to 7 in.-lbs (0.62 to 0.79 N•m).

Refer to the Wiring Guide, (FIG. 1, cover page) to ensure wire leads are connected to the correct terminals in the gear housing box.

9. Replace control box seal (119) and cover (120) with screws (116) (FIG. 5) being careful not to pinch any wires. Tighten screws securely. Torque to 17 - 19 ft lbs (23 - 25 N.m).

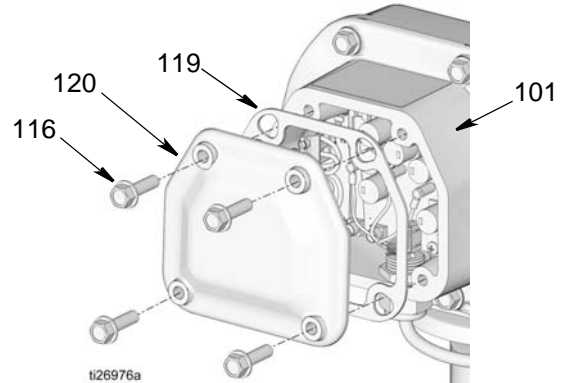


FIG. 5

10. Connect power cable to pump. Power cable information is provided on page 4.
11. Connect the timer/controller (user supplied, if used).
12. See the Dyna-Star Pump instruction manual for pump priming, reservoir filling instructions and operation instructions.

Power Cable Accessories

Power Cable Accessory 77X545

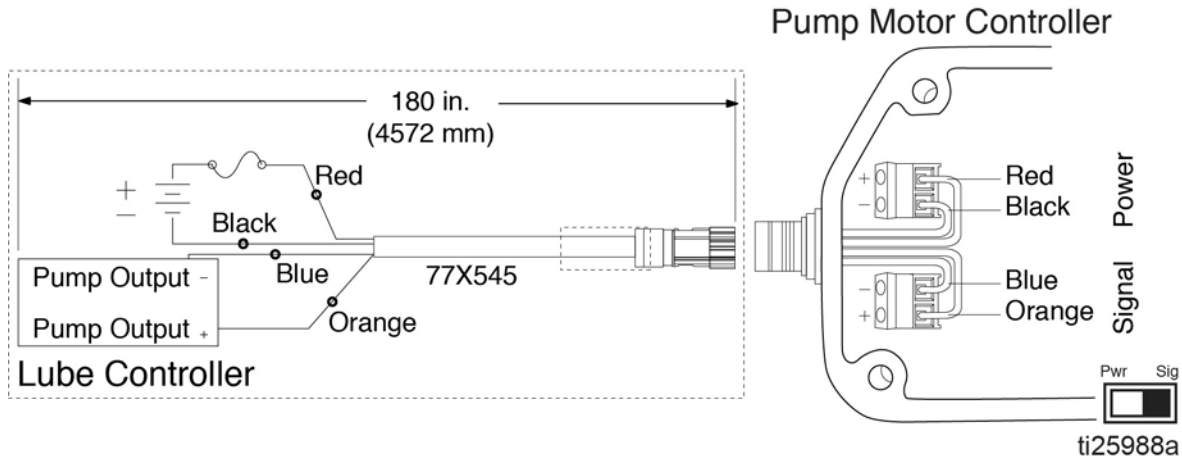


FIG. 6

Power and Vent Valve Cable 77X546

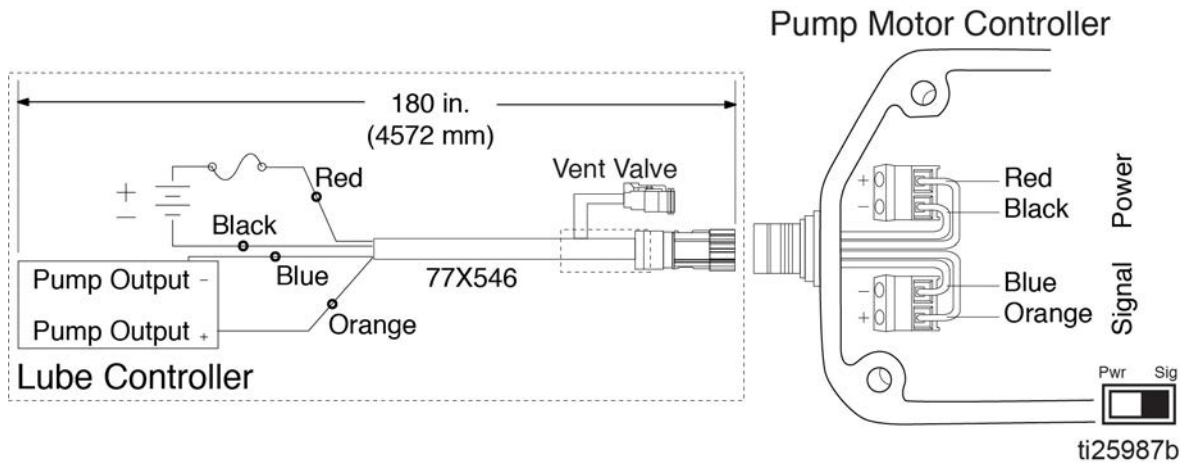


FIG. 7

All written and visual data contained in this document reflects the latest product information available at the time of publication. Graco reserves the right to make changes at any time without notice.

Original instructions. This manual contains English. MM 334999

Graco Headquarters: Minneapolis

International Offices: Belgium, China, Japan, Korea

GRACO INC. AND SUBSIDIARIES • P.O. BOX 1441 • MINNEAPOLIS MN 55440-1441 • USA
Copyright 2014, Graco Inc. All Graco manufacturing locations are registered to ISO 9001.

www.graco.com

Revision B, September 2015