

Circulation and Return Tube Kits

309852E
ENG

For recirculation of polyurethane materials from proportioner to 55 gal. (200 liter) fluid supply drums.

4000 psi (27.6 MPa, 276 bar) Maximum Fluid Working Pressure

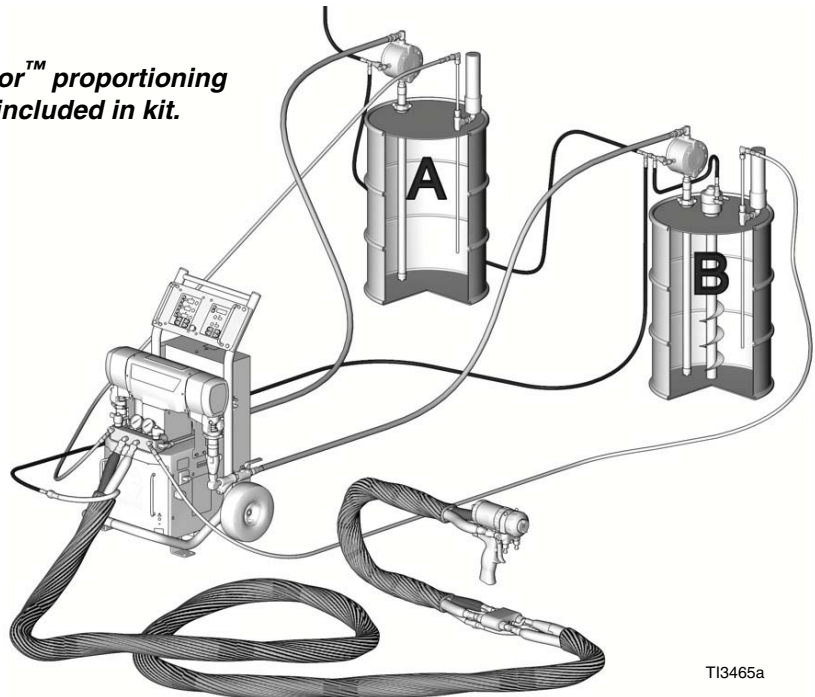
Description	Carbon Steel	Stainless Steel
Return Tube Kit	246477	24D106
Circulation Kit	246978	
Circulation Kit With Moisture-Lok Hose	24E379	24D107



Important Safety Instructions


Read all warnings and instructions in this manual.
Save these instructions.

246978 Kit shown installed in Reactor™ proportioning system. Some parts shown are not included in kit.



T13465a

Return Tube Kit

 The Return Tube Kit can be installed singly or as a pair. Two are included in the Circulation Kit, page 3.

1. Keep A and B components separate

CAUTION
To prevent cross-contamination of fluid, mark A component (ISO) connections with red tape. Mark B component (RES) connections with blue tape. Do not interchange or cross-connect A component and B component parts.

2. Assemble return tube kit

Remove dryer carriage (C). Using awl or similar tool, punch a few small holes in each end of carriage. Reinstall carriage.


Remove large fitting included with dryer (10). It is not needed for this application.

Apply thread sealant (8) to threads. Assemble return tube kit as shown at right.

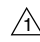
3. Install kit in drum


Open drum port. Lower kit into drum. Screw tee (6) into drum port to secure. Use bushing (5) to adjust position of tube (4) in tank.

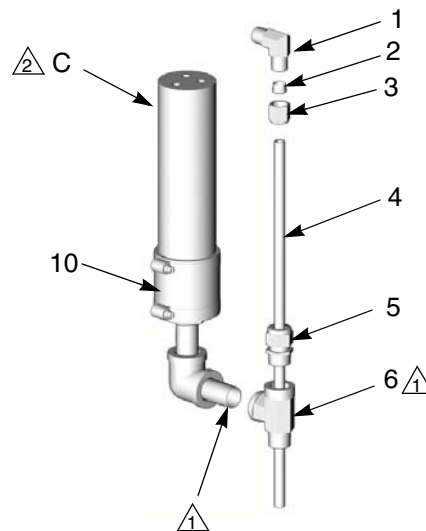
4. Install circulation kit, page 3

WARNING

To reduce the risk of serious injury including fluid injection, use high pressure return hoses rated to withstand the maximum working pressure of the proportioner. See proportioner operation manual.

Ref. No.	Description	Return Tube Kit		Qty
		(CS) 246477	(SST) 24D106	
1	ELBOW, 90°; 1/2 in. (13 mm) OD tube x 1/2 npt(m)	117532	16C635	1
2	FERRULE, tube; sst	117453	117453	1
3	NUT, tube, flareless	117454	16C636	1
4	TUBE; sst; 1/2 in. (13 mm) OD; 4 ft (1.2 m)	15C514	15C514	1
5	BUSHING, strain relief; 3/4 npt(m)	117811	117811	1
6	TEE, street; 3/4 npt (mx) run; 3/4 npt(f) branch	111337	16C637	1
8	SEALANT, pipe; 6 ml	110110	110110	1
10	KIT, accessory, desiccant dryer	247616	247616	1

 Apply thread sealant (8) to threads.

 Punch holes in ends of carriage (C).



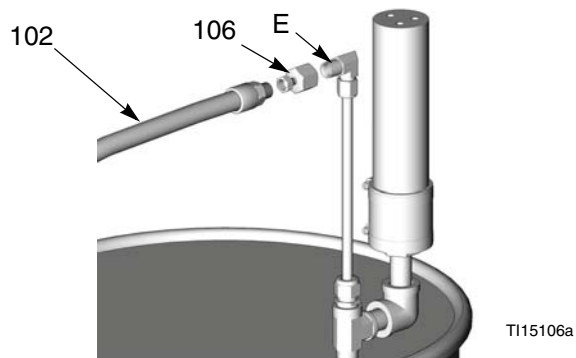
T13446a

Circulation Kit

1. Install two return tube kits, page 2

⚠ CAUTION

To prevent cross-contamination of fluid, mark A component (ISO) connections with red tape. Mark B component (RES) connections with blue tape. Do not interchange or cross-connect A component and B component parts.



2. Connect circulation kit

Remove fittings from elbows (A, B) at the proportioner fluid manifold. Only used with 24697

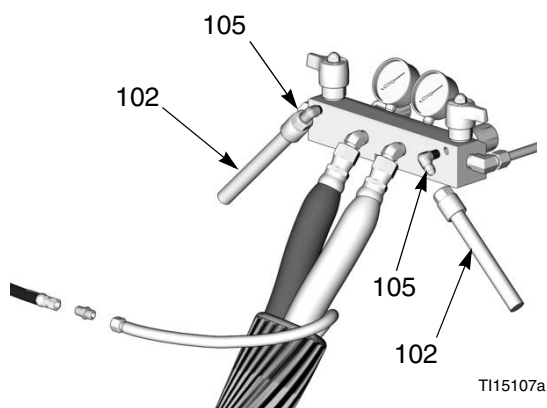
For 246978: Screw reducing nipples (104) into elbows. Connect one end of hoses (102) to each nipple.

For 24E379 and 24D107: Connect elbows (105) to the proportioner fluid manifold. Connect fitting (106) to return tube. Connect one end of hoses (102) to each elbow.

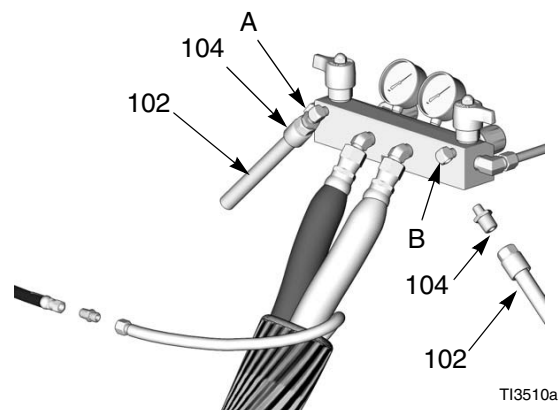
Connect other end of A side hose (102) to elbow (E) of A component return tube kit. Repeat for B side hose.

Ref. No.	Part No.	Description	Qty
101		KIT, return tube; see page 2	2
102	† H45010	HOSE, fluid; nylon; 1/2 in. (13 mm) ID; 1/2 npsm(fbe); 10 ft (3.05 m)	2
	◆ 262176	HOSE, B; 1/4 in. (6.35 mm) ID; (10 ft (3.05 m))	2
	★ 262239	HOSE, B; 1/4 in. (6.35 mm) ID; (10 ft (3.05 m))	2
104	† 162449	NIPPLE, reducing; 1/2 x 1/4 npt	2
105	◆ 122311	FITTING, elbow; 9/16-18 JIC 06 x 1/4 npt	2
	★ 122786	FITTING, elbow; 9/16-18 JIC 06 x 1/4 npt	2
106	◆ 124151	FITTING, 9/16-18 JIC 06 x 1/2 npt	2
	★ 124152	FITTING, 9/16-18 JIC 06 x 1/2 npt	2
	†	246978 Circulation Kit only.	
	◆	24E379 Circulation Kit only.	
	★	24D107 Circulation Kit only.	

24E379 and 24D107 Circulation Kit



246978 Circulation Kit



Graco Standard Warranty

Graco warrants all equipment referenced in this document which is manufactured by Graco and bearing its name to be free from defects in material and workmanship on the date of sale to the original purchaser for use. With the exception of any special, extended, or limited warranty published by Graco, Graco will, for a period of twelve months from the date of sale, repair or replace any part of the equipment determined by Graco to be defective. This warranty applies only when the equipment is installed, operated and maintained in accordance with Graco's written recommendations.

This warranty does not cover, and Graco shall not be liable for general wear and tear, or any malfunction, damage or wear caused by faulty installation, misapplication, abrasion, corrosion, inadequate or improper maintenance, negligence, accident, tampering, or substitution of non-Graco component parts. Nor shall Graco be liable for malfunction, damage or wear caused by the incompatibility of Graco equipment with structures, accessories, equipment or materials not supplied by Graco, or the improper design, manufacture, installation, operation or maintenance of structures, accessories, equipment or materials not supplied by Graco.

This warranty is conditioned upon the prepaid return of the equipment claimed to be defective to an authorized Graco distributor for verification of the claimed defect. If the claimed defect is verified, Graco will repair or replace free of charge any defective parts. The equipment will be returned to the original purchaser transportation prepaid. If inspection of the equipment does not disclose any defect in material or workmanship, repairs will be made at a reasonable charge, which charges may include the costs of parts, labor, and transportation.

THIS WARRANTY IS EXCLUSIVE, AND IS IN LIEU OF ANY OTHER WARRANTIES, EXPRESS OR IMPLIED, INCLUDING BUT NOT LIMITED TO WARRANTY OF MERCHANTABILITY OR WARRANTY OF FITNESS FOR A PARTICULAR PURPOSE.

Graco's sole obligation and buyer's sole remedy for any breach of warranty shall be as set forth above. The buyer agrees that no other remedy (including, but not limited to, incidental or consequential damages for lost profits, lost sales, injury to person or property, or any other incidental or consequential loss) shall be available. Any action for breach of warranty must be brought within two (2) years of the date of sale.

GRACO MAKES NO WARRANTY, AND DISCLAIMS ALL IMPLIED WARRANTIES OF MERCHANTABILITY AND FITNESS FOR A PARTICULAR PURPOSE, IN CONNECTION WITH ACCESSORIES, EQUIPMENT, MATERIALS OR COMPONENTS SOLD BUT NOT MANUFACTURED BY GRACO. These items sold, but not manufactured by Graco (such as electric motors, switches, hose, etc.), are subject to the warranty, if any, of their manufacturer. Graco will provide purchaser with reasonable assistance in making any claim for breach of these warranties.

In no event will Graco be liable for indirect, incidental, special or consequential damages resulting from Graco supplying equipment hereunder, or the furnishing, performance, or use of any products or other goods sold hereto, whether due to a breach of contract, breach of warranty, the negligence of Graco, or otherwise.

FOR GRACO CANADA CUSTOMERS

The Parties acknowledge that they have required that the present document, as well as all documents, notices and legal proceedings entered into, given or instituted pursuant hereto or relating directly or indirectly hereto, be drawn up in English. Les parties reconnaissent avoir convenu que la rédaction du présente document sera en Anglais, ainsi que tous documents, avis et procédures judiciaires exécutés, donnés ou intentés, à la suite de ou en rapport, directement ou indirectement, avec les procédures concernées.

Graco Information

For the latest information about Graco products, visit www.graco.com.

TO PLACE AN ORDER, contact your Graco distributor or call to identify the nearest distributor.

Phone: 612-623-6921 **or Toll Free:** 1-800-328-0211 **Fax:** 612-378-3505

All written and visual data contained in this document reflects the latest product information available at the time of publication. Graco reserves the right to make changes at any time without notice.

Original instructions. This manual contains English. MM 309852

Graco Headquarters: Minneapolis

International Offices: Belgium, China, Japan, Korea

GRACO INC. P.O. BOX 1441 MIINNEAPOLIS, MN 55440-1441

Copyright 2003, Graco Inc. is registered to ISO 9001

www.graco.com

Revised 04/2010