

ThermoLazer™ Box Rear Heat Kit Model 24H619

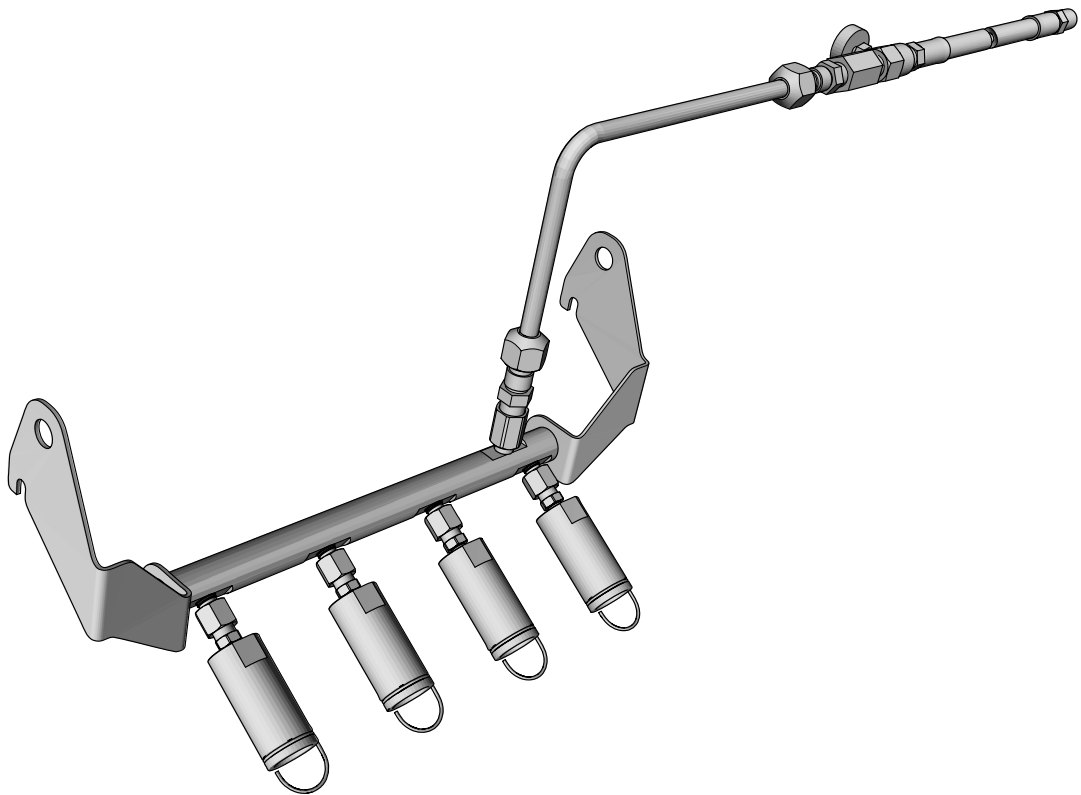
3A1586C
EN

- For professional application of thermoplastic traffic marking compound materials (reflective beads applied simultaneously with screeding) -
- For outdoor use only (not to be operated in rain or damp conditions) -



IMPORTANT SAFETY INSTRUCTIONS

Read all warnings and instructions in manual 3A1319. Save these instructions.

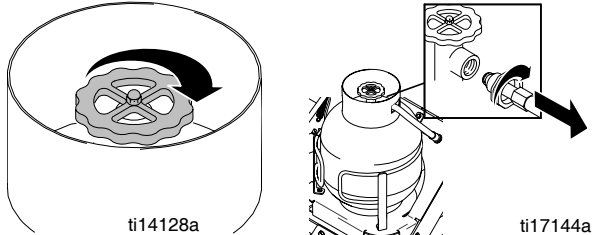


ti22971a

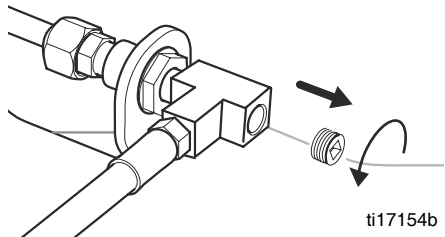
Installation



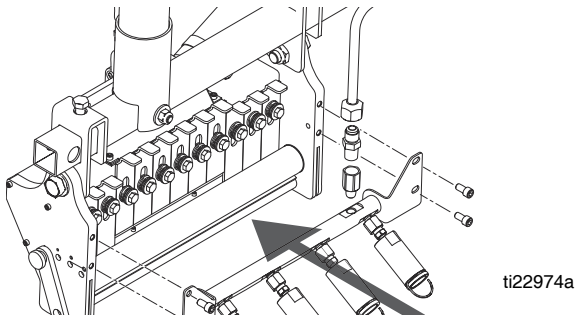
1. Disconnect propane source.



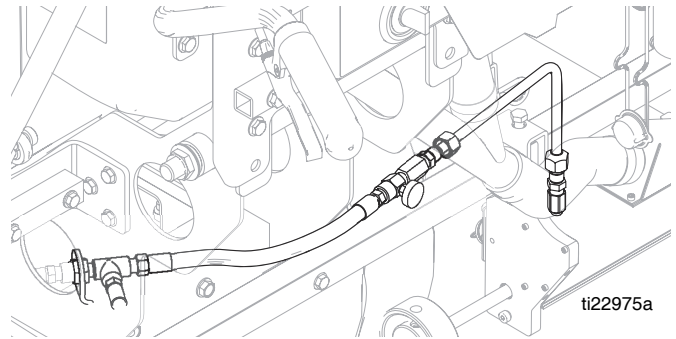
2. Remove plug and copper gasket (ferrule) from fitting.



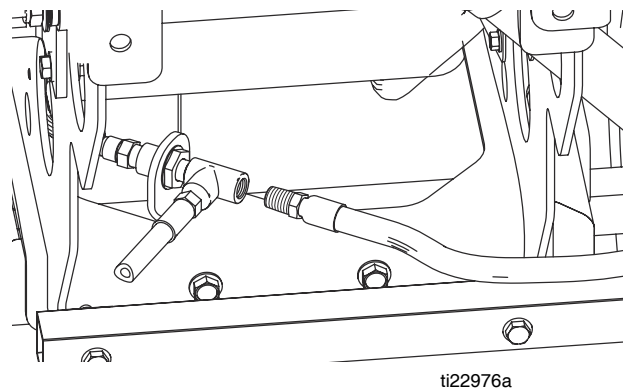
3. Slide die heat kit over bead dispenser. Align slot on bracket with bead dispenser screw head as shown. Bolt hole should also be aligned.



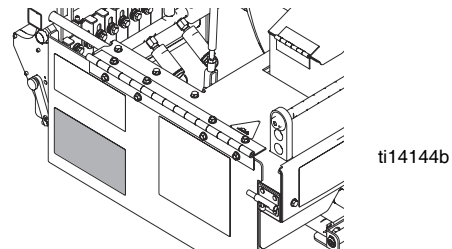
4. Route hose as shown below.



5. Attach hose tee to fitting (21mm).



6. Install screed box rear burner lighting instructions label (262) on screed shroud door below the torch lighting instruction label (261).



All written and visual data contained in this document reflects the latest product information available at the time of publication. Graco reserves the right to make changes at any time without notice.

For patent information, see www.graco.com/patents

Original instructions. This manual contains English. MM 3A1586

Graco Headquarters: Minneapolis
International Offices: Belgium, China, Japan, Korea

GRACO INC. P.O. BOX 1441 MINNEAPOLIS, MN 55440-1441

Copyright 2008, Graco Inc. is registered to I.S. EN ISO 9001

www.graco.com

Revision C - January 2014