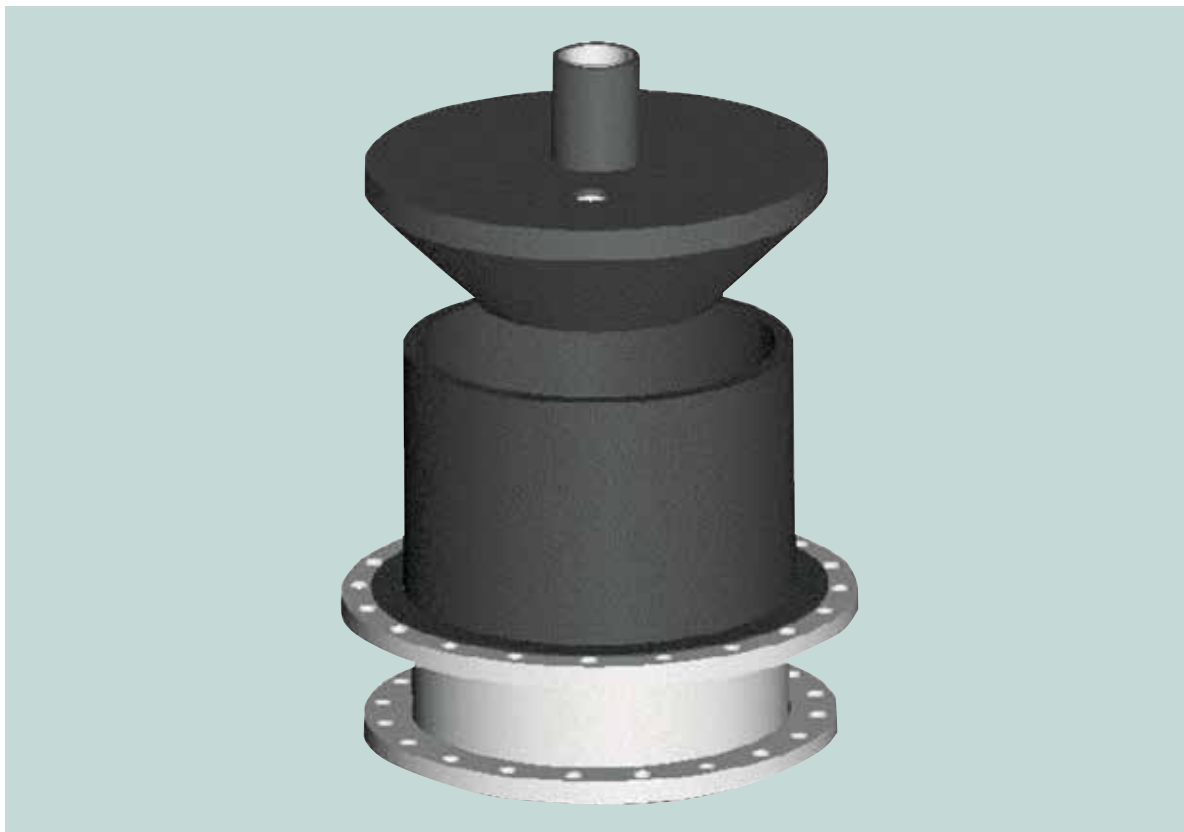


# Dart valve

## Slurry Hose Systems



Metso Dart Valves are ideal for shut-off applications that involve abrasive slurries, powders or granular substances.

### Product description

The Metso Dart Valve design prevents leakage and has an inside diameter matching the complete Slurry Hose System.

### Areas of use

The Metso Dart Valves are used for shut-off inside sump tanks with vertical outlet.

### Characteristics

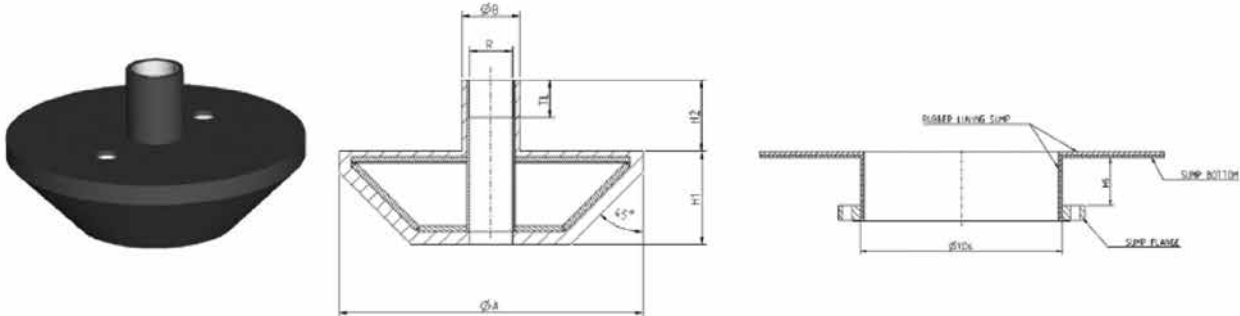
Dart Valve and Dart Valve seat with SBR wear-resistant inner and outer lining. No flow, restriction fully open.

## Technical description

Dart Valve seats are made of rigid steel pipes lined with longlife wear rubber on all areas in contact with slurry. Dart Valve plugs are also completely lined with wear rubber. Dart Valve can be regulated with pneumatic, hydraulic or electric actuator.

## Installation

Flange drilling according to DIN 2501 PN10.



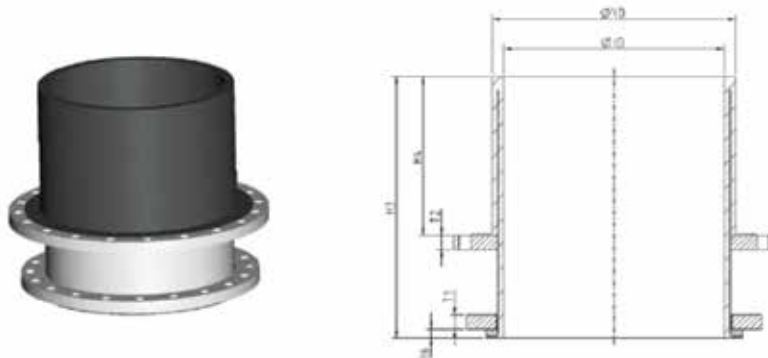
Connection thread according to specification below. Actuating cylinder is not included.

### Dart Valve

Part No.	ØA mm	R (Thread)	TL mm	ØB mm	H1 mm	H mm	Cylinder example Bosch Rexroth 167 (Diameter / stroke)
SH-489276-102	165	R1"	50	48	74	86	160 / 320
SH-489276-127	195	R1"	50	48	75	85	160 / 320
SH-489276-152	220	R2"	50	80	75	85	160 / 320
SH-489276-204	305	R2"	50	90	112	103	160 / 320
SH-489276-254	355	R2"	50	90	112	103	200 / 400
SH-489276-305	405	R3"	75	115	116	99	200 / 400
SH-489276-355	465	R3"	75	115	150	120	200 / 400
SH-489276-405	515	R3"	75	115	150	120	200 / 400
SH-489276-457	600	R3"	75	115	184	141	250 / 500
SH-489276-508	650	R3"	75	115	184	191	250 / 500
SH-489276-610	750	R3"	75	115	184	191	250 / 500

### Sump (Recommended dimensions)

Ø YDs mm	HS mm	Sump Flange
160	113	EN 1092-1 TYPE 04 DN125/PN10
186	120	EN 1092-1 TYPE 04 DN150/PN10
238	120	EN 1092-1 TYPE 04 DN200/PN10
291	125	EN 1092-1 TYPE 04 DN250/PN10
345	135	EN 1092-1 TYPE 04 DN300/PN10
396	137	EN 1092-1 TYPE 04 DN350/PN10
446	155	EN 1092-1 TYPE 04 DN400/PN10
493	155	EN 1092-1 TYPE 04 DN450/PN10
545	170	EN 1092-1 TYPE 04 DN500/PN10
610	185	EN 1092-1 TYPE 01 DN600/PN10
711	215	EN 1092-1 TYPE 01 DN700/PN10



Connection thread according to specification below. Actuating cylinder is not included.

### Dart Valve Seat

Part No.	ØID mm	ØYD mm	H3 mm	H4 mm	T1 mm	Flange drilling (T1) DIN 2501 PN10	T2 mm	Flange drilling (T2) DIN 2501 PN10
SH-489277-102	102	134	390	227	20	DN100	20	DN125
SH-489277-127	127	160	395	232	20	DN125	20	DN150
SH-489277-152	152	188	405	232	20	DN150	20	DN200
SH-489277-204	204	239	433	260	20	DN200	20	DN250
SH-489277-254	254	293	443	270	20	DN250	25	DN300
SH-489277-305	305	344	453	270	25	DN300	25	DN350
SH-489277-355	355	404	508	315	25	DN350	30	DN400
SH-489277-405	405	454	528	315	30	DN400	30	DN450
SH-489277-457	457	506	543	330	30	DN450	30	DN500
SH-489277-508	508	557	568	345	30	DN500	40	DN600
SH-489277-610	610	659	628	375	40	DN600	40	DN700

Metso Corporation  
Töölönlahdenkatu 2, FI-00100 Helsinki, Finland  
Email: flowcontrol@metso.com, www.metso.com/SHS

Product names in this article are all either registered trademarks or trademarks of Metso Corporation and its subsidiaries.

