



# ONG Buyer's Guide

A Complete Line of Chemical Injection Equipment



PROVEN QUALITY. LEADING TECHNOLOGY.



## **Go online at [www.graco.com](http://www.graco.com) for:**

- Literature
- Instruction Manuals
- Buyer's Guide
- Product Knowledge Exchange
- Distributor Locator
- What's New
- GEDI®

GEDI is the "Graco Extranet Distributor Information" area on our web site where distributors have access to up-to-the-minute pricing, product order and shipping status and order entry. Information is accessed by an account number and a confidential password.

## **To Find Your Nearest Authorized Graco Oil & Natural Gas Equipment Distributor**

Call: **1-866-552-1868** *(toll free North America)*

Fax: **1-877-340-6427**

Literature Index | Service Manuals | Literature

# OUR STORY

Graco Inc. was established in 1926 and today is a world leader in fluid handling solutions. While the company has delivered technology and reliable equipment solutions to the Oil & Natural Gas market for decades, in 2014 it decided to create a dedicated business unit focused on meeting the specific equipment requirements of this dynamic customer base. As a part of those efforts, the company acquired two well respected Oil & Natural Gas equipment manufacturers, Alco Valves Group and High Pressure Equipment Company, to augment its growing portfolio of products designed specifically to meet the exacting needs of this industry.

The company's success is built on its unwavering commitment to technical excellence, world-class manufacturing, and unparalleled customer service. Graco invests heavily in Research and Development, often at several times the rate of its peers, to develop cutting edge technologies that serve the markets of today while preparing for the needs of tomorrow. Graco's line of chemical injection pumps for the Oil & Natural Gas market is just one of the outcomes of this aggressive investment in technology, come talk to us about what's next. Graco Inc. Proven Quality. Leading Technology.



**1926**

Russell Gray invents an air-powered, portable lubricator; Gray Company is incorporated.



**1941**

Gray Company develops the Convoy Luber trailer-mounted lube system for World War II.



**1955**

Fire-Ball™ high pressure lube pump with topper was introduced.



**1958**

Gray Company introduces Hydra-Spray® – the first airless paint spray unit and paint spray gun.



**1965**

Hydra-Cat® – Graco's first plural component spraying unit spraying foam insulation.



**1983**

Graco introduces the PRO™ 4000 electrostatic spray gun, featuring an electrostatic cartridge.

## PROVEN QUALITY. LEADING TECHNOLOGY.

- Founded in 1926
- World leader in fluid handling technologies
- Headquartered in Minneapolis, MN USA
- Publicly Traded NYSE: GGG
- More than 3,000 employees
- Global, with major distribution centers in the USA, Belgium, Japan, Korea, China, and Australia
- Majority USA based manufacturing, engineering, and product support
- Leading technology development, Graco holds more than 2,000 patents



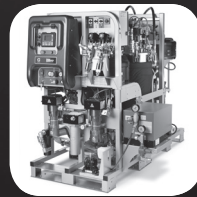
**1988**  
Husky™ 716 all plastic diaphragm pump is released for fluid transfer applications..



**2002**  
Graco introduces its first Reactor® Proportioner for applying 2-component foams, polyurea and epoxies.



**2010**  
Graco introduces the G3™ Electric Grease Pump with industry changing capabilities.



**2012**  
Graco introduces the XM™ PFP to apply epoxy passive fire protection coatings to protect steel from hydrocarbon fires.



**2014**  
Oil and Natural Gas Division established to meet customer demands. Graco acquires the Alco Valves Group.



**2015**  
Graco acquires High Pressure Equipment (HIP) company.

# Table of Contents

---

<b>Product Scope</b> .....	8
<b>G-Chem™ Electric Operated Pumps and Systems</b>	
Entry Level Chemical Pumps and Systems .....	9
Quick Reference Chart .....	10
Technical Data .....	11
Configuration Number Matrix .....	11
Parts and Accessories .....	12
<b>Modular Chemical Injection Systems</b>	
Build Your Solar Chemical Injector System .....	13
Control Box Options .....	14-16
Componets .....	17
Technical Data .....	18
<b>Injection Rate Controllers</b>	
Harrier® Electronic Injection Rate Controllers .....	19
Electronic Injection Rate Controllers .....	20
<b>Tank Level Monitoring Solution</b>	
Feature and Benefits .....	21
Technical Data .....	22
<b>Wolverine® Pumps</b>	
Wolverine DC and AC Series Pumps .....	23
Configuration Number Matrix .....	24
Quick Reference Chart .....	25
12 VDC Wolverine Advanced .....	26-29
115 VAC Wolverine Advanced .....	30-32
230 VAC Wolverine Advanced .....	33-34
230/460 VAC 3-Phase Wolverine Advanced .....	35-36
Wolverine Variable Speed Pumps .....	37
Quick Reference Chart .....	38-39
Wolverine Hazardous Location DC and AC Series Pumps .....	40
Wolverine Hazardous Location Pumps .....	41
Quick Reference Chart .....	42-43
12 VDC Wolverine .....	44
24 VAC Wolverine .....	45
115/230 VAC Wolverine .....	46
230/460 VAC Wolverine .....	47
Drive Modules Quick Reference Chart .....	48-49
Fluid Modules Quick Reference Chart .....	50

# Table of Contents

---

## **Mongoose™ Metering Pumps**

Mongoose Electronic Low Pressure Chemical Metering Pump . . . . .	51
Ordering Information . . . . .	51
Technical Data . . . . .	52
Configuration Number Matrix . . . . .	52

## **Python® Pneumatic Pumps**

Python Pneumatically Operated Pumps . . . . .	53
Technical Data . . . . .	54
Configuration Number Matrix . . . . .	55
Pump Performance . . . . .	56
Quick Reference Chart . . . . .	57
Ordering Information / CE Approved . . . . .	58-59
Ordering Information / ATEX Approved . . . . .	60-61

## **Python® XL Pneumatic Pumps**

Python XL Pneumatically Operated Pumps . . . . .	62
Technical Data . . . . .	63
Configuration Number Matrix . . . . .	64
Quick Reference Chart . . . . .	65-67
Ordering Information . . . . .	68-75
Pump Lowers . . . . .	76-77
Quick Reference Chart . . . . .	78
Kits and Accessories . . . . .	79

## **Accessories and Kits**

Accessories . . . . .	80
Solar System Kits . . . . .	81-82
G-Chem Pump Parts and Kits . . . . .	83
Wolverine Advanced Pump Kits . . . . .	84-90
Wolverine Hazardous Location Pump Kits . . . . .	91
Python Pump Kits . . . . .	92-97
Python XL Pump Kits . . . . .	98-99

<b>Part Number Index . . . . .</b>	<b>100-106</b>
------------------------------------	----------------

# Product Scope

- Modular Chemical Injection Systems
- Electric Chemical Injection Pumps
- Hazardous Location Pumps
- Variable Speed Pumps
- Chemical Management Solutions
- Pump Controllers
- Remote Communication
- Pneumatic Chemical Injection Pumps
- Electric Low Pressure Metering Pump
- Drive and Fluid Modules





# G-Chem™ Electric Operated Pumps and Systems

## Entry Level Chemical Pumps and Systems

The G-Chem series pumps are ideal for chemical injection applications. Built from the same quality standards as current Graco chemical injection pumps, the G-Chem pump has the lowest out-of-pocket cost of Graco electric chemical injection pumps, is easy to operate and far exceed the performance of similar pumps of its class. The DC operated pumps are also offered in solar system packages that come with a 100 watt solar panel and the new Harrier® EZ controller as the standard product offering.

### Ease of serviceability

- Easy access to the pump plunger and packings
- Plunger packings can be replaced in 10 minutes or less
- Three defined stroke adjustment positions

### Harrier EZ timer

- Preset built-in low voltage disconnect
- Voltage reading and display
- Prime mode
- Built-in On/Off switch

### Robust and simple design

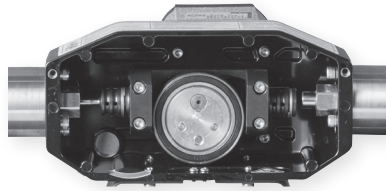
- Adjustable fluid packing lasts longer than non-adjustable seals
- G-Chem pumps are offered with Chromex™ coated plungers
- SST fluid section/wetted parts
- Proprietary poppet style check valve prevents valve from sticking
- Same high quality drive train used on other Graco chemical injection pumps



*Harrier EZ comes standard with G-Chem Solar System*

# G-Chem™ Electric Operated Pumps and Systems

## Quick Reference Chart



Proprietary Drive Train Design



G-Chem DC pump

Plunger Size	Max Flow Simplex (GPD)	Max Flow Duplex (GPD)	Max Working Pressure (psi)
1/4 in	8	16	2500
3/8 in	18	36	1500
1/2 in	33	66	800

G-Chem DC and AC Series Pumps			
Seals / Plunger Size	1/4 in	3/8 in	1/2 in
G-Chem Pump, 12 VDC, 1/6 hp, Simplex			
FKM	A23101	A23102	A23103
HNBR	A23107	A23108	A23109
G-Chem Pump, 12 VDC, 1/6 hp, Duplex			
FKM	A23151	A23152	A23153
HNBR	A23157	A23158	A23159
G-Chem Pump, 115 VAC, 1/6 hp, Simplex			
FKM	A23501	A23502	A23503
HNBR	A23507	A23508	A23509
G-Chem Pump, 115 VAC, 1/6 hp, Duplex			
FKM	A23551	A23552	A23553
HNBR	A23557	A23558	A23559

G-Chem Fluid Modules			
Chromex Coated Plunger Rods			
	1/4 in	3/8 in	1/2 in
FKM	A30970	A30980	A30990
HNBR	A30971	A30981	A30991
TFE/P	A30972	A30982	A30993

G-Chem Solar Systems			
Seals / Plunger Size	1/4 in	3/8 in	1/2 in
G-Chem System, Simplex, 12 VDC, Harrier EZ, 100W Panel, Plastic Box			
FKM	B17501	B17502	B17503
HNBR	B17504	B17505	B17506
G-Chem System, Duplex, 12 VDC, Harrier EZ, 100W Panel, Plastic Box			
FKM	B17551	B17552	B17553
HNBR	B17554	B17555	B17556
G-Chem System, Simplex, 12 VDC, Harrier EZ, 100W Panel, Metal Box			
FKM	B17601	B17602	B17603
HNBR	B17604	B17605	B17606
G-Chem System, Duplex, 12 VDC, Harrier EZ, 100W Panel, Metal Box			
FKM	B17651	B17652	B17653
HNBR	B17654	B17655	B17656

G-Chem Drive Modules			
Chromex Coated Plunger Rods			
	Simplex	Duplex	Duplex (h)
12 VDC	A30960	A30961	A30962
115 VAC	A30965	A30966	A30967

# G-Chem™ Electric Operated Pumps and Systems

## Technical Data / Configuration Number Chart

### Technical Data

G-Chem Chemical Injection Pump	
Maximum fluid working pressure	Varies by model.
<b>Input Voltage</b>	
CI-12X-XX-X	12 VDC
CI-1AE-XX-X	115 VAC
<b>Maximum Input Current</b>	
CI-12X-XX-X	12 A max @ 12 VDC
CI-1AE-XX-X	2.0 A @ 110 VAC Single Phase
Power connection	See manual for electrical connections
Environmental temperature range, ordinary location	-40° F to 131° F (-40° C to 55° C)
<b>Noise (dBA)</b>	
Maximum sound pressure	<70 dBA
<b>Inlet/Outlet Sizes</b>	
Fluid inlet size	1/4 in npt (m)
Fluid outlet size	1/4 in npt (m)
<b>Materials of Construction</b>	
Pump/Check Valve seal material	See Configuration Chart below for seal material. All other packing materials are UHMWPE and PTFE unless otherwise noted.
Wetted parts	See Configuration Chart below for plunger material. All other materials are 300 series stainless steel unless otherwise noted.
<b>Weight</b>	
G-Chem, 1 pump (Simplex)	21.5 lb (9.7 kg)
G-Chem, 2 pumps (Duplex)	26.0 lb (11.8 kg)

### Configuration Number Matrix

Check the identification plate (ID) for the 12-digit Configuration Number of your pump. Use the following matrix to define the components of your pump. *NOTE: Not all combinations are possible.*

**Sample Configuration Number: CI-12E-2XF-000-0**

				Side 1		Side 2				
CI	12	E	2	X	F	0	0	0	0	0
Chemical Injection	Voltage	Motor	Plunger Size	Plunger Coating	Seal Material	Plunger Size	Plunger Coating	Seal Material	Qualifier	

Voltage	Motor	Plunger Size		Plunger Coating		Seal Material		Plunger Size		Plunger Coating		Seal Material		Qualifier	
12 VDC	E	2	1/4 in	X	Chromex	F	FKM	0	None	0	None	0	None	0	None
24 VDC		3	3/8 in			G	HNBR	2	1/4 in	X	Chromex	F	FKM		
		5	1/2 in					3	3/8 in			G	HNBR		
								5	1/2 in						

# G-Chem™ Electric Operated Pumps and Systems

## Parts and Accessories

### Ordering Information

#### G-Chem™ Pump Parts and Kits Ordering Information

Kit Number	Item Description
B32002	12 VDC G-Chem Motor Replacement Kit
B32733	FKM Inlet Check Valve, 1/4 in npt
B32734	FKM Outlet Check Valve, 1/4 in npt
B32735	HNBR Inlet Check Valve, 1/4 in npt
B32736	HNBR Outlet Check Valve, 1/4 in npt
B32739	A-Frame Solar Panel Bracket
B32761	115 VAC G-Chem Motor Replacement Kit
B32776	1/4 in G-Chem Packing Nut
B32775	3/8 in G-Chem Packing Nut
B32774	1/2 in G-Chem Packing Nut
B32779	1/4 in G-Chem Plunger
B32778	3/8 in G-Chem Plunger
B32777	1/2 in G-Chem Plunger
B32784	1/4 in G-Chem FKM Plunger Packing Seals
B32785	1/4 in G-Chem HNBR Plunger Packing Seals
B32782	3/8 in G-Chem FKM Plunger Packing Seals
B32783	3/8 in G-Chem HNBR Plunger Packing Seals
B32780	1/2 in G-Chem FKM Plunger Packing Seals
B32781	1/2 in G-Chem HNBR Plunger Packing Seals
B32798	G-Chem Simplex to Duplex Conversion Kit
B32799	1/4 in G-Chem FKM Seal Conversion Kit
B32800	1/4 in G-Chem HNBR Seal Conversion Kit
B32801	3/8 in G-Chem FKM Seal Conversion Kit
B32802	3/8 in G-Chem HNBR Seal Conversion Kit
B32803	1/2 in G-Chem FKM Seal Conversion Kit
B32804	1/2 in G-Chem HNBR Seal Conversion Kit
B52152	Harrier EZ One-Battery Metal Control Box
24Z847BLK50	G-Chem Inlet Check Valve, FMK seals, Bulk of 50
24Z848BLK50	G-Chem Outlet Check Valve, FMK seals, Bulk of 50
24Z849BLK50	G-Chem Inlet Check Valve, HNBR seals, Bulk of 50
24Z850BLK50	G-Chem Outlet Check Valve, HNBR seals, Bulk of 50
B32872	G-Chem bleed/prime valve assembly kit

# Modular Chemical Injection Systems

## VDC and VAC Powered Systems

## Build Your Chemical Injector System

### Build Your System in 4 Easy Steps!

#### 1 Select Your Pump

Select based on your pressure and flow requirements as well as seal material:

- Pressures: 0-10,000 psi (689 bar, 68.9 MPa)
- Flow: 0-40 gpd (151.4 lpd)
- Seal material will depend on your chemical handling requirements
- Power: DC Solar or AC

#### 2 Configure Your Control Box

Select based on your control requirements:

- Harrier® EZ: Basic time based control
- Harrier: Time and cycle based control with auxiliary switch for DC power
- Harrier+: Adaptive flow assurance, remote pump control and automation  
(Class 1, Division 2 certified for Hazardous Location)
- Single, dual and multi-battery control box options
- Solar charge controllers options will be based on power consumption and required features
- Power: DC Solar or AC

#### 3 Pick Your Solar Panel

Solar panels for General Purpose locations:

- 50 W, 100 W, 160 W or 265 W (24 VDC)

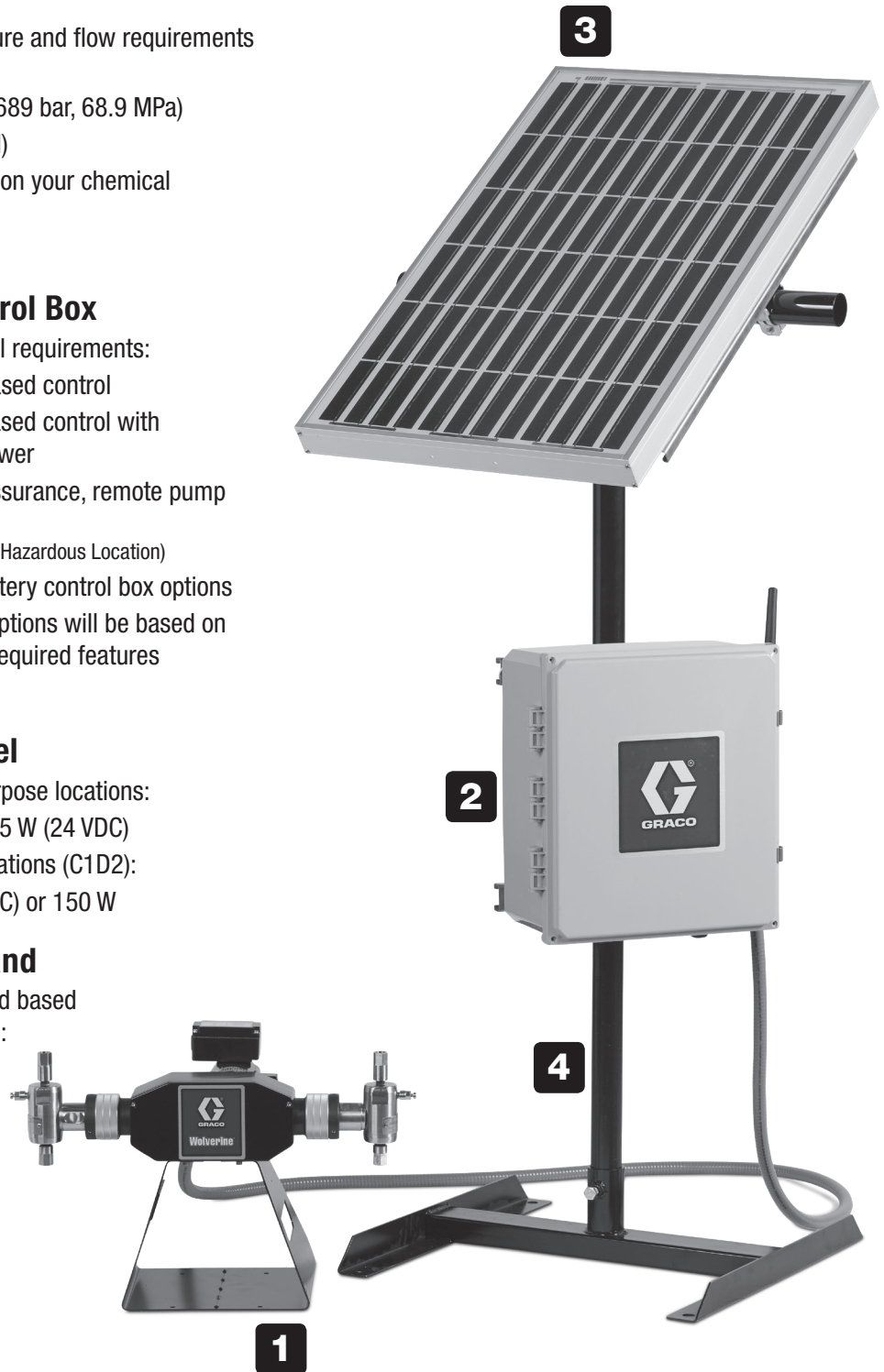
Solar panels for Hazard Locations (C1D2):

- 50 W, 90 W, 120 W (24 VDC) or 150 W

#### 4 Pick Your Power Stand

Select your solar panel stand based on application requirements:

- Three foot pole and stand
- Six foot pole and stand
- A-frame stand  
(100 W panel only)
- AC Power Stand



# Modular Control Box Option

## VDC and VAC Powered Systems

When specifying the correct chemical injection system, choosing the correct control box configuration can be very critical in ensuring proper system operation. The box options below help meet all chemical injection application requirements.

### One-Battery Control Box



- One-Battery Plastic Box**  
Part #: B5210X
- For DC power
  - Houses a Harrier® EZ controller
  - Separate tray for controller and charge controller
  - Lockable box
  - Comes standard with G-Chem™ solar systems



- One-Battery Metal Box**  
Part #: B5215X
- For DC power only
  - Painted steel construction
  - Lockable slide lid
  - Configured for a pole mount
  - Comes standard with G-Chem™ solar systems

### Two-Battery Control Box

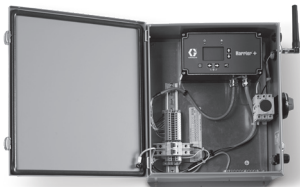


- Two-Battery Metal Box**  
Part #: B522XX
- For DC power only
  - Houses up to two batteries
  - Aluminum construction
  - Lockable slide lid
  - Configured for a pole mount
  - Includes box and sub-plate

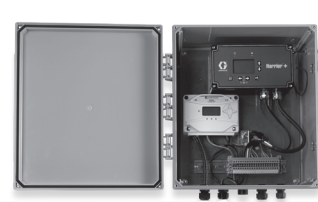


- Two-Battery Metal Box Sub-Plate**
- Removable sub-plate for easy battery access and ease of serviceability
  - Keeps electric components and battery separate
  - Sub-plates are configurable with all controller and charge controller options
  - On/Off switch

### NEMA Rated Control Boxes



- NEMA Rated AC Box**  
Part #: B52AXX
- NEMA 4 rated box
  - Conforms to UL-508A and CSA 22.2 No. 14 & 73
  - For AC power only
  - Houses the Harrier+ controller
  - Painted steel construction
  - Lockout/Tagout disconnect
  - Configured for a pole mount



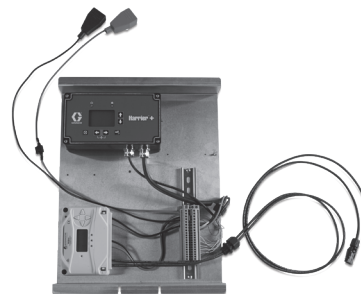
- NEMA Rated DC Box**  
Part #: B52NXX
- NEMA 4X rated box
  - For DC power only
  - Separate battery box that holds up to two batteries (Part #: B32808)
  - UV resistant polycarbonate construction (UL-5VA rated)
  - Lockable hinged door
  - Configured for a pole mount
  - Additional dual battery boxes can be linked (Part #: B32809)
  - On/Off switch



### Four-Battery Control Boxes



- Four-Battery Plastic Box**  
Part #: B32805
- For DC power only
  - Houses up to four batteries
  - Lockable hinged lid
  - Removable sub-plate for easy battery access and ease of serviceability
  - Plastic box only



- Four-Battery Plastic Box Sub-Plate** Part #: B524XX
- Removable sub-plate for easy battery access and ease of serviceability
  - Keeps electric components and battery separate
  - Sub-plates are configurable with all controller and charge controller options
  - On/Off switch

*Note: Plastic box sold separate. Graco PN B32805, uses Contico PN3725NL*

# Modular Control Boxes

## VDC and VAC Powered Control Boxes

### Ordering Information

Selecting the right control box will depend on the box type, voltage, pump controller, and if applicable, charge controller and number of solar panels required. The tables below summarize all of the control box options available for your chemical injection application.

One-Battery Control Box Options			
	Charge Controller/ Controller	No Controller	Harrier EZ
Metal	ASC™ 12/12	B52151	B52150
Plastic	ASC™ 12/12	B52101	B52100

AC Control Box Options				
	Harrier+ SCADA	Harrier+ GSM USA	Harrier+ Global	Harrier+ CDMA
115 VAC	B52A00	B52A01	B52A02	B52A03
230 VAC	B52A04	B52A05	B52A06	B52A07

Two-Battery Control Box Options							
Charge Controller/Controller	No Controller	Harrier EZ	Harrier	Harrier+ SCADA	Harrier+ GSM USA	Harrier+ Global	Harrier+ CDMA
ASC™ 12/12 (12 VDC, one panel)	B52200	B52201	B52202	B52203	B52204	B52205	B52206
SunSaver™ SS20L-12 V (12 VDC, one panel)	B52207	B52208	B52209	B52210	B52211	B52212	B52213
Prostar™ 30 (12/24 VDC, one panel)	B52214	B52215	B52216	B52217	B52218	B52219	B52220
Prostar™ 30M (12/24 VDC, one panel)	B52221	B52222	B52223	B52224	B52225	B52226	B52227
ASC™ 24/16 (24 VDC, one panel)	B52228	B52229	B52230	B52231	B52232	B52233	B52234
SunSaver™ SS20L-24V (24 VDC, one panel)	B52235	B52236	B52237	B52238	B52239	B52240	B52241
ASC™ 12/16 (12 VDC, two panel)	B52242	B52243	B52244	B52245	B52246	B52247	B52248
SunSaver™ SS20L-12 V (12 VDC, two panel)	B52249	B52250	B52251	B52252	B52253	B52254	B52255
Prostar™ 30 (12/24 VDC, two panel)	B52256	B52257	B52258	B52259	B52260	B52261	B52262
Prostar™ 30M (12/24 VDC, one panel)	B52263	B52264	B52265	B52266	B52267	B52268	B52269
ASC™ 24/16 (24 VDC, two panel)	B52270	B52271	B52272	B52273	B52274	B52275	B52276
SunSaver™ SS20L-24V (24 VDC, two panel)	B52277	B52278	B52279	B52280	B52281	B52282	B52283

\* Two-battery box with no controller or charge controller is sold under part number B32875

Four-Battery Back Panel Options							
Charge Controller/Controller	No Controller	Harrier EZ	Harrier	Harrier+ SCADA	Harrier+ GSM USA	Harrier+ Global	Harrier+ CDMA
ASC™ 12/12 (12 VDC, one panel)	B52400	B52401	B52402	B52403	B52404	B52405	B52406
SunSaver™ SS20L-12 V (12 VDC, one panel)	B52407	B52408	B52409	B52410	B52411	B52412	B52413
Prostar™ 30 (12/24 VDC, one panel)	B52414	B52415	B52416	B52417	B52418	B52419	B52420
Prostar™ 30M (12/24 VDC, one panel)	B52421	B52422	B52423	B52424	B52425	B52426	B52427
ASC™ 24/16 (24 VDC, one panel)	B52428	B52429	B52430	B52431	B52432	B52433	B52434
SunSaver™ SS20L-24V (24 VDC, one panel)	B52435	B52436	B52437	B52438	B52439	B52440	B52441
ASC™ 12/16 (12 VDC, two panel)	B52442	B52443	B52444	B52445	B52446	B52447	B52448
SunSaver™ SS20L-12 V (12 VDC, two panel)	B52449	B52450	B52451	B52452	B52453	B52454	B52455
Prostar™ 30 (12/24 VDC, two panel)	B52456	B52457	B52458	B52459	B52460	B52461	B52462
Prostar™ 30M (12/24 VDC, one panel)	B52463	B52464	B52465	B52466	B52467	B52468	B52469
ASC™ 24/16 (24 VDC, two panel)	B52470	B52471	B52472	B52473	B52474	B52475	B52476
SunSaver™ SS20L-24V (24 VDC, two panel)	B52477	B52478	B52479	B52480	B52481	B52482	B52483
Prostar™ 30 (12/24 VDC, three panel)	B52484	B52485	B52486	B52487	B52488	B52489	B52490
Prostar™ 30M (12/24 VDC, three panel)	B52491	B52492	B52493	B52494	B52495	B52496	B52497

\* Dual battery box sold under Part #: B32808 and dual battery add-on kit sold under Part #: B32809.

The battery add-on kit is used for setups requiring more than two batteries and will include cables used to link it to other boxes.

# Modular Control Box Option

## VDC and VAC Powered Systems

### Ordering Information

NEMA Rated DC Control Box Options							
Charge Controller/Controller	No Controller	Harrier EZ	Harrier	Harrier+ SCADA	Harrier+ GSM USA	Harrier+ Global	Harrier+ CDMA
ASC™ 12/12 (12 VDC, one panel)	B52N00	B52N01	B52N02	B52N03	B52N04	B52N05	B52N06
SunSaver™ SS20L-12 V (12 VDC, one panel)	B52N07	B52N08	B52N09	B52N10	B52N11	B52N12	B52N13
Prostar™ 30 (12/24 VDC, one panel)	B52N14	B52N15	B52N16	B52N17	B52N18	B52N19	B52N20
Prostar™ 30M (12/24 VDC, one panel)	B52N21	B52N22	B52N23	B52N24	B52N25	B52N26	B52N27
ASC™ 24/16 (24 VDC, one panel)	B52N28	B52N29	B52N30	B52N31	B52N32	B52N33	B52N34
SunSaver™ SS20L-24V (24 VDC, one panel)	B52N35	B52N36	B52N37	B52N38	B52N39	B52N40	B52N41
ASC™ 12/16 (12 VDC, two panel)	B52N42	B52N43	B52N44	B52N45	B52N46	B52N47	B52N48
SunSaver™ SS20L-12 V (12 VDC, two panel)	B52N49	B52N50	B52N51	B52N52	B52N53	B52N54	B52N55
Prostar™ 30 (12/24 VDC, two panel)	B52N56	B52N57	B52N58	B52N59	B52N60	B52N61	B52N62
Prostar™ 30M (12/24 VDC, one panel)	B52N63	B52N64	B52N65	B52N66	B52N67	B52N68	B52N69
ASC™ 24/16 (24 VDC, two panel)	B52N70	B52N71	B52N72	B52N73	B52N74	B52N75	B52N76
SunSaver™ SS20L-24V (24 VDC, two panel)	B52N77	B52N78	B52N79	B52N80	B52N81	B52N82	B52N83
Prostar™ 30 (12/24 VDC, three panel)	B52N84	B52N85	B52N86	B52N87	B52N88	B52N89	B52N90
Prostar™ 30M (12/24 VDC, three panel)	B52N91	B52N92	B52N93	B52N94	B52N95	B52N96	B52N97

\* Dual battery box sold under Part #: and dual battery add-on kit sold under Part #: B32809.  
 The battery add-on kit is used for setups requiring more than two batteries and will include cables used to link it to other boxes.



# Modular Components

## Solar Panels, Panel Stands, Charge Controllers and Accessories

### Ordering Information

#### Solar Panels

Part Number	Item Description
B32016	50 W Solar Panel, ordinary location
B32014	100 W Solar Panel, ordinary location
B32021	160 W Solar Panel, ordinary location
B32752	265 W Solar Panel, 24V ordinary location
B32018	50 W Solar Panel, C1D2
B32017	90 W Solar Panel, C1D2
B32751	150 W Solar Panel, C1D2
B32753	120 W Solar Panel, 24V, C1D2

#### Charge Controllers

Part Number	Item Description
B32748	SunSaver™ SS20L-24V (24 V, C1D2, LVD)
B32745	Prostar™ 30 (12/24 V, LVD, ordinary location)
B32746	Prostar™ 30M (12/24 V, LVD, ordinary location, screen)
B32012	ASC™ 12/12 (12 V, C1D2, no LVD)
B32749	ASC™ 12/16 (12 V, C1D2, no LVD)
B32747	ASC™ 24/16 (12 V, C1D2, no LVD)
B32744	SunSaver™ SS20L-12 V (12 V, C1D2, LVD)

#### Solar Panels Stands

Part Number	Item Description
B32789	1-Panel Stand, 3 ft., for 50 W - 100 W panel
B32790	1-Panel Stand, 3 ft., for 120 W - 160 W panel
B32791	1-Panel Stand, 3 ft., for 265 W panel
B32792	1-Panel Stand, 6 ft., for 50 W - 100 W panel
B32793	1-Panel Stand, 6 ft., for 120 W - 160 W panel
B32794	1-Panel Stand, 3 ft., for 265 W panel
B32796	3-Panel Stand, 3 ft., for 120 W - 160 W panels
B32797	3-Panel Stand, 6 ft., for 120 W - 160 W panels
B32795	AC Box Stand
B32739	A-Frame Stand, for 100 W panel

#### Other Kits

Part Number	Item Description
B32073	Stand Anchoring Post
B32756	16 in. Extension Cable, MC4 to MC4, 10 AWG, 2-cables for positive and negative leads
B32757	5 ft. Extension Cable, MC4 to MC4, 10 AWG, 2-cables for positive and negative leads
B32758	10 ft. Extension Cable, MC4 to MC4, 10 AWG, 2-cables for positive and negative leads
B32759	15 ft. Extension Cable, MC4 to MC4, 10 AWG, 2-cables for positive and negative leads
B32074	10 A Mini Fuse (10 pack)
B32070	15 A Mini Fuse (10 pack)
B32071	20 A Mini Fuse (10 pack)
B32069	25 A Mini Fuse (10 pack)
B32068	30 A Mini Fuse (10 pack)
B32614	Solar Cable w/MC4 Connectors 1 (not shown)



# Modular Components

## Solar Panels, Panel Stands, Charge Controllers and Accessories

### Technical Data

One-Battery DC Control Boxes	
Nominal Voltage	12 V
Maximum Solar Input Current	
ASC™ Charge Controller 12/12	12 A
Maximum Load Current	16 A
Battery Size	Designed for a maximum of one Group 31 battery
<b>Operating Temperature Range</b>	
Plastic Control Box	32° F to 131° F (0° C to 55° C)
Metal Control Box	-40° F to 131° F (-40° C to 55° C)
<b>Overall Dimensions (L x W x H)</b>	
Plastic Control Box	10.5 in x 17.5 in x 12.25 in (26.7 cm x 44.5 cm x 31.1 cm)
Metal Control Box	10.0 in x 14.0 in x 11.0 in (25.4 cm x 35.6 cm x 27.9 cm)
<b>Weight</b>	
Control Box (without battery), Plastic	5.5 lb (2.5 kg)
Control Box (without battery), Metal	16.0 lb (7.3 kg)

AC Control Box (NEMA 4)	
<b>Nominal Voltage</b>	
CI-A1A-XXXX-XX	115 VAC
CI-A2A-XXXX-XX	230 VAC
<b>Maximum Current</b>	
CI-A1A-XXXX-XX	5 A
CI-A2A-XXXX-XX	3 A
Operating Temperature Range	-40° F to 131° F (-40° C to 55° C)
Overall Dimensions (L x W x H)	17.5 in x 14.0 in x 6.5 in (44.5 cm x 35.6 cm x 16.5 cm)
<b>Weight</b>	
Control Box	20.0 lb (9.07 kg)
Enclosure Approvals	UL-508A / CSA C22.2 No. 14 & 73.

Multi-Battery DC Control Boxes	
<b>Maximum Solar Input Current From Charge Controller</b>	
ASC™ 12/12	12 A
SunSaver™ SS20L-12 V	20 A
Prostar™ 30	30 A
Prostar™ 30M	30 A
ASC™ 24/16	16 A
SunSaver™ SS20L-24V	20 A
ASC™ 12/16	16 A
Maximum Load Current	Varies by pump controller
Harrier EZ	16 A
Harrier	16 A
Harrier+ (all variations)	25 A
Bare Box	N/A
<b>Battery Size</b>	
Two-Battery Aluminum and NEMA boxes	Designed for a maximum of 2-12 V, Group 31 batteries.
Four-Battery Back Panel	Will fit a maximum of four 12 V, Group 31 batteries when using recommended Contica® box.
Operating Temperature Range	-40° F to 131° F (-40° C to 55° C)
<b>Overall Dimensions (L x W x H)</b>	
Two-Battery Aluminum Box	15.20 in x 16.32 in x 16.28 in (38.6 cm x 41.5 cm x 41.4 cm)
Four-Battery Back Panel	37.0 in x 23.0 in x 21.0 in (94.0 cm x 58.4 cm x 53.3 cm)
NEMA 4X Rated Control Box	16.0 in x 14.0 in x 7.0 in (40.65 cm x 35.56 cm x 17.78 cm)
2-Battery (NEMA 4X) Box	18.0 in x 16.0 in x 10.0 in (45.72 cm x 40.64 cm x 25.4 cm)
<b>Weight</b>	
2-Battery Aluminum Box (without battery)	21.5 lb (9.75 kg)
4-Battery Back Panel	8.0 lb (3.6 kg)
NEMA Control Box	16.9 lb (7.67 kg)

# Harrier® Electronic Injection Rate Controllers

## Features and Benefits

Closely control and monitor chemical use and collect critical operating information for reducing costs and improving processes. Its easy, efficient and productive – saving you time and money.

### Accurate Control

Simple user interface for setup and control. Enter your desired injection rate and let Graco do the rest!

### Office or Remote Access

The Harrier+ controller includes remote connectivity, allowing you to monitor, control and calibrate your system away from your injection site via cellular or ModBus.

### Notifications

Easily monitors your system for control, troubleshooting, maintenance needs and alerts.

### Minimize Waste

Patent pending adaptive flow control technology maintains a consistent injection rate, regardless of system variables, reducing waste and costs.

### System Control

Multiple inputs for system controls allow you to only run when it's necessary.

### Choose the model that fits your needs:



Harrier Controller with Cycle Count Capability B32001

#### Harrier EZ, Harrier and Harrier AC

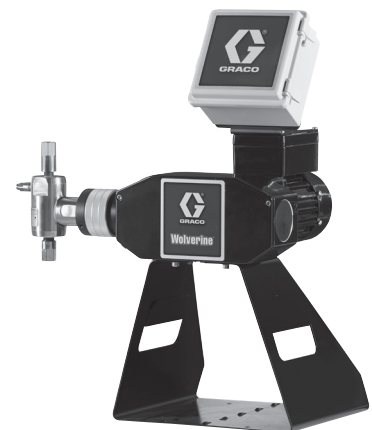
- Harrier EZ and Harrier used for DC pumps and Harrier AC used for AC pumps
- Control injection rates via timer or cycle count
- ETL listed for electrical safety: UL 508 and CSA 22.2 No. 14

#### Harrier+

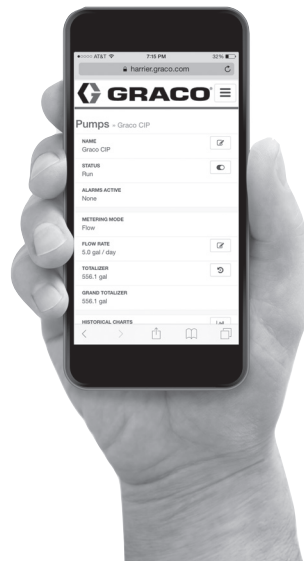
- Used for AC and DC pumps
- Control injection rates via timer, cycle count or flow control
- Easy to read display that operates at temperatures as low as -40° F (-40° C)
- Cellular connectivity for U.S. and global networks
- ETL listed for electrical safety: UL 508 and CSA 22.2 No. 14
- Class 1, Division 2 certified for Hazardous Location.



AC Operated Harrier+



AC Operated Harrier Mounted on a Wolverine Pump



Control and monitor your systems from your mobile device

# Harrier® Series Electronic Injection Rate Controllers

## Ordering Information

### Ordering Information

#### DC Operated Harrier Series Controllers

Kit Number	Item Description
B32110	Harrier EZ Controller
B32001	Harrier Controller
B32627	Harrier+ Controller, DC Power, Cellular - USA only
B32629	Harrier+ Controller, DC Power, Cellular - Global (limited use in USA)
B32631	Harrier+ Controller, DC Power, SCADA via MODBUS
B32643	Harrier+ Controller, DC Power, CDMA

#### AC Operated Harrier Series Controllers

Kit Number	Item Description
B32851	Harrier AC Controller, Remote Mount
B32852	Harrier AC Controller, Pump Mounted for Wolverine
B32853	Harrier AC Controller, Pump Mounted for G-Chem
B32630	Harrier+ Controller, AC Power, Cellular - Global (limited use in USA)
B32632	Harrier+ Controller, AC Power, SCADA via MODBUS
B32644	Harrier+ Controller, AC Power, CDMA

#### Accessories

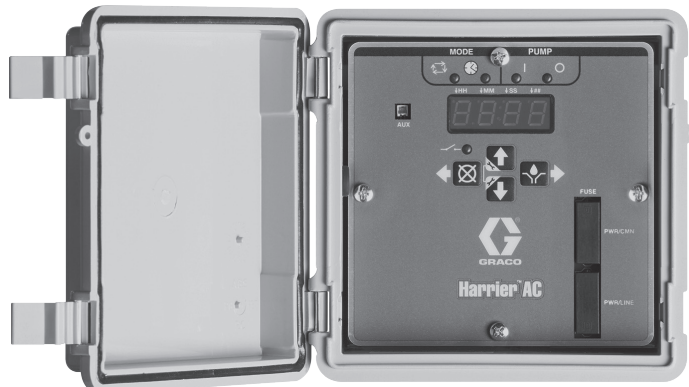
Kit Number	Item Description
B32699	Harrier+ High Gain Antenna for Cellular
B32696	Harrier AC mounting bracket for Wolverine
B32811	Harrier AC mounting bracket for G-Chem



Harrier EZ Controller  
B32110



DC Operated Harrier+  
B32627



Harrier AC Controller  
B32851

# Tank Level Monitoring Solution

## Features and Benefits

The Graco tank level monitor and Harrier+ combination puts tank and chemical injection information at the user's fingertip, whether on-site or 1000 miles away. Not only can you monitor your chemical usage but you can also ensure proper pump operation and verification.

### How does Graco's tank level monitoring work?

The tank level sensor is a pressure transducer that connects directly into the chemical tank. The pressure is then converted to an analog signal which the Harrier+ controller correlates to a tank level. The data collected by the controller can then be tracked and manipulated via its controller portal or a connected SCADA system.

### Chemical Monitoring

Ensure your chemical tank has an adequate chemical supply with real-time monitoring of your chemical tank level.



### Flow Verification

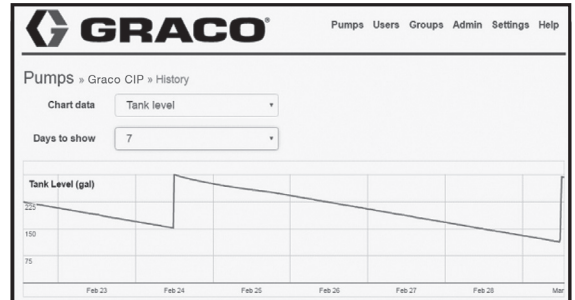
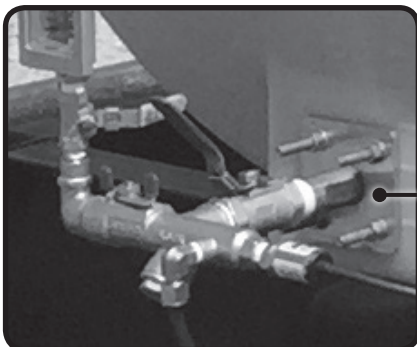
If your chemical tank level and total pump volumes do not match up within a given threshold, the Harrier+ controller will trigger an alarm.

### Accurate

Once your chemical injection system is setup and properly calibrated, industry leading accuracy readings can be achieved.

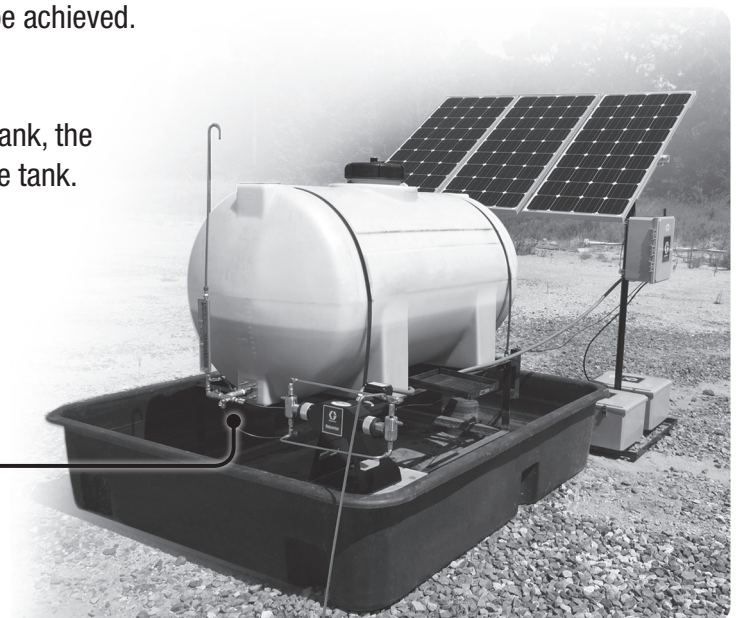
### Tank Selection Methods

Whether you have a uniform or a custom chemical tank, the Harrier+ controller can be setup to handle any shape tank.



### Harrier+ Web Portal

The Harrier+ Web Portal provides 24/7 critical well site data such as local chemical inventory information for connected chemical tanks.



# Tank Level Monitoring Solution

## Ordering Information

DC Operated Harrier+ Controller	
Kit Number	Item Description
B32627	Harrier+ Controller, DC Power, Cellular – USA only
B32629	Harrier+ Controller, DC Power, Cellular – Global (limited use in USA)
B32631	Harrier+ Controller, DC Power, SCADA via Modbus
B32643	Harrier+ Controller, DC Power, CDMA

AC Operated Harrier+ Controller	
Kit Number	Item Description
B32628	Harrier+ Controller, AC Power, Cellular – USA only
B32630	Harrier+ Controller, AC Power, Cellular – Global (limited use in USA)
B32632	Harrier+ Controller, AC Power, SCADA via Modbus
B32644	Harrier+ Controller, AC Power, CDMA

Tank Level Monitor Parts and Kits	
Kit Number	Item Description
B32771	Tank Level Kit (includes 14 ft wire harness and sensor)
B32773	Tank Level Wire Harness Kit (14 ft long)
B32868	Tank Level Wire Harness Kit (28 ft long)
B32849	Tank Level Sensor Only Kit
B32853	Tank Level Sensor Kit (Class 1, Division 1 classified)

Accessories	
Kit Number	Item Description
B32699	Harrier+ High Gain Antenna

## Technical Data

Operating Mode
Time (ON/OFF)
Cycle (ON cycles & OFF time)
Flow (Adaptive Flow Control)
Analog Flow (based on 4-20 mA input)

Tank Level Monitor
Real time monitor
Any tank shape
Customizable alarms and notifications
Multiple tanks
Flow accuracy and verification
Displays
Current volume
Maximum volume
Membrane Material

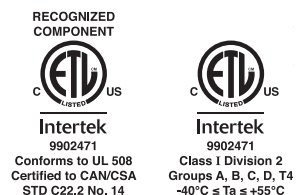
Electric Ratings
Durable solid state switching
Voltage input
9 to 26 VDC
100 to 240 VAC (50/60 Hz)
Pump output
25 amps DC
5 amps @ 120 VAC
3 amps @ 240 VAC

Inputs
Pump cycle counter for FLOW mode
Battery voltage monitor
Auxiliary RUN enable/disable
Alarm input switch #1 (configurable: normally open or closed)
Alarm input switch #2 (configurable: normally open or closed)
Pressure transducer (6,000 psi)
Analog in 4-20 mA to control injection rate
Temperature
Tank level monitor

Outputs
Analog out (configuration: 4-20 mA or 0-10 VDC)
Pump control (AC or DC)

Communications
Cellular
Modem types: GSM USA, CDMA, GSM Global
Remote operation and rate adjustment
Historical charts (pumping rate/day, battery voltage, fluid pressure, monthly report, tank level)
Configurable email notifications, alarms and maintenance reminders

SCADA
Modbus communication



# Wolverine® DC and AC Series Pumps

## Features and Benefits

Wolverine chemical injection pumps reduce emissions to the atmosphere and have a greater level of control when used with our injection rate controllers. These injection pumps are designed for up to two years of operation before simple repairs. Each pump features an adjustable fluid packing that lasts up to 25 times longer than non-adjustable seals.

### Operating Environment

The Wolverine is designed to operate in environments from -40° F to 175° F (-40° C to 79° C). They have 316 SST wetted parts, plus they're sealed against water and dust.

### Pump Capabilities

Flow rates up to 392 gpd (1,484 lpd) and a pressure rating up to 10,000 psi (686 bar, 68.9 MPa).

### Save Time

Easily replace pump seals in less than 10 minutes, on location.

### Accurate Control

Precision stroke adjustment between 1/2 in to 1 in (12.7 mm to 25.4 mm) ensures accurate injection rates.

### Chemical Compatibility

HNBR, FKM, FKM-ETP, FFKM, and TFE/P plunger packings and check valve seals can handle some of the most aggressive chemicals.

### Save Power

Low friction drivetrain to optimize electrical efficiency, reducing the load on your power system.

### Configurations

#### Fluid Plunger Sizes

- 1/8 in (3.18 mm)
- 3/16 in (4.76 mm)
- 1/4 in (6.35 mm)
- 3/8 in (9.5 mm)
- 1/2 in (12.7 mm)
- 5/8 in (15.9 mm)
- 3/4 in (19.1 mm)

#### Input Power Types

- 12 VDC
- 115 VAC Single Phase
- 115/230 VAC Single Phase
- 230 VAC Single Phase
- 230/460 VAC 3-Phase

#### Frequency

- Fixed Speed
- Variable Speed

#### Electric Motor Sizes

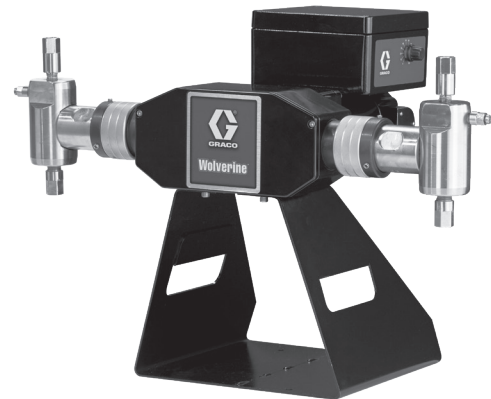
- 1/11 hp (VDC)
- 1/5 hp (VDC)
- 1/4 hp (VDC)
- 1/5 hp (VAC)

#### Drivetrain

- Simplex
- Duplex



Wolverine Advanced



Wolverine Variable Speed  
(Class1, Division 2)



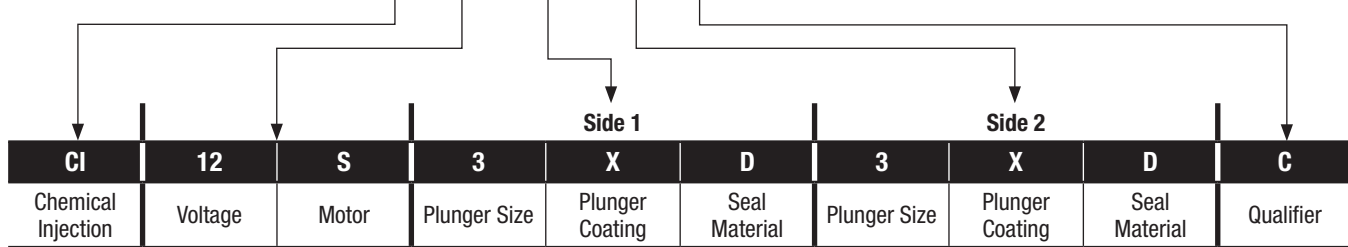
Wolverine Hazardous Location  
(Class1, Division 1)

# Wolverine® DC and AC Series Pumps

## Configuration Number Matrix

Check the identification plate (ID) for the 12-digit Configuration Number of your pump. Use the following matrix to define the components of your pump. *NOTE: Not all combinations are possible.*

**Sample Configuration Number: CI-12E-2XF-000-0**



Voltage		Motor		Plunger Size		Plunger Coating		Seal Material		Plunger Size		Plunger Coating		Seal Material		Qualifier	
12	12 VDC	S	Small	1	3/16 in	C	Ceramic	A	FKM	0	None (Advanced Simplex)	0	None (Simplex)	0	None (Simplex)	0	None
24	24 VDC	L	Large	2	1/4 in	X	Chromex	B	FKMETP	1	3/16 in	C	Ceramic	A	FKM	C	Cycle Count
1A	115 VAC	H	Hazardous Location CID1	3	3/8 in			C	HNBR	2	1/4 in	X	Chromex	B	FKMETP		
2A	230 VAC	B	Continuous Injection Variable Speed, Brushless CID2	5	1/2 in			D	FFKM	3	3/8 in			C	HNBR		
3A	115/230 VAC	D	Continuous Injection Variable Speed, AC	6	5/8 in			E	TFE/P	5	1/2 in			D	FFKM		
4A	230/460 VAC, 3 Phase			7	3/4 in					7	5/8 in			E	TFE/P		
										B	None (Basic)						



# Wolverine® Series Drive Modules

## Quick Reference Chart

### Wolverine Advanced Pumps\*

Plunger (in)	Max Pressure, 1/11 hp Motor (psi)	Max Pressure, 1/5 hp Motor (psi)	Max Flow, Simplex (gal/day)	Max Flow, Duplex (gal/day)
3/16	7,000	10,000	12	24
1/4	3,500	6,000	22	44
3/8	1,500	2,500	49	98
1/2	800	1,250	87	174
5/8	500	900	136	272
3/4	350	600	196	392

\* Please reference the Wolverine installation manual for pump performance curves.

Wolverine Advanced, 12 VDC, 1/11 hp, Simplex						
Seals / Plunger Size	3/16 in	1/4 in	3/8 in	1/2 in	5/8 in	3/4 in
FKM	A26104	A26102	A26101	A26100	A26105	A26106
FKM-ETP	A26111	A26109	A26108	A26107	A26112	A26113
HNBR	A26118	A26116	A26115	A26114	A26119	A26120
FFKM	A26125	A26123	A26122	A26121	A26126	A26127

Wolverine Advanced, 12 VDC, 1/11 hp, Duplex						
Seals / Plunger Size	3/16 in	1/4 in	3/8 in	1/2 in	5/8 in	3/4 in
FKM	A26132	A26130	A26129	A26128	A26133	A26134
FKM-ETP	A26139	A26137	A26136	A26135	A26140	A26141
HNBR	A26146	A26144	A26143	A26142	A26147	A26148
FFKM	A26153	A26151	A26150	A26149	A26154	A26155

Wolverine Advanced, 12 VDC, 1/5 hp, Simplex						
Seals / Plunger Size	3/16 in	1/4 in	3/8 in	1/2 in	5/8 in	3/4 in
FKM	A26204	A26202	A26201	A26200	A26205	A26206
FKM-ETP	A26211	A26209	A26208	A26207	A26212	A26213
HNBR	A26218	A26216	A26215	A26214	A26219	A26220
FFKM	A26225	A26223	A26222	A26221	A26226	A26227

Wolverine Advanced, 12 VDC, 1/5 hp, Duplex						
Seals / Plunger Size	3/16 in	1/4 in	3/8 in	1/2 in	5/8 in	3/4 in
FKM	A26232	A26230	A26229	A26228	A26233	A26234
FKM-ETP	A26239	A26237	A26236	A26235	A26240	A26241
HNBR	A26246	A26244	A26243	A26242	A26247	A26248
FFKM	A26253	A26251	A26250	A26249	A26254	A26255

All Advanced Wolverine Pumps can be purchased with a cycle counter installed.  
The model number of a pump with a cycle counter installed begins with "A29" rather than "A26."

# Wolverine® DC Series Pumps

## 12 VDC Wolverine® Advanced

### Ordering Information

Part Number	Description
A26100	Wolverine Advanced, 12 VDC, 1/11 hp Motor, Simplex, 1/2 in Plunger, FKM Seals
A26101	Wolverine Advanced, 12 VDC, 1/11 hp Motor, Simplex, 3/8 in Plunger, FKM Seals
A26102	Wolverine Advanced, 12 VDC, 1/11 hp Motor, Simplex, 1/4 in Plunger, FKM Seals
A26104	Wolverine Advanced, 12 VDC, 1/11 hp Motor, Simplex, 3/16 in Plunger, FKM Seals
A26105	Wolverine Advanced, 12 VDC, 1/11 hp Motor, Simplex, 5/8 in Plunger, FKM Seals
A26106	Wolverine Advanced, 12 VDC, 1/11 hp Motor, Simplex, 3/4 in Plunger, FKM Seals
A26107	Wolverine Advanced, 12 VDC, 1/11 hp Motor, Simplex, 1/2 in Plunger, FKM-ETP Seals
A26108	Wolverine Advanced, 12 VDC, 1/11 hp Motor, Simplex, 3/8 in Plunger, FKM-ETP Seals
A26109	Wolverine Advanced, 12 VDC, 1/11 hp Motor, Simplex, 1/4 in Plunger, FKM-ETP Seals
A26111	Wolverine Advanced, 12 VDC, 1/11 hp Motor, Simplex, 3/16 in Plunger, FKM-ETP Seals
A26112	Wolverine Advanced, 12 VDC, 1/11 hp Motor, Simplex, 5/8 in Plunger, FKM-ETP Seals
A26113	Wolverine Advanced, 12 VDC, 1/11 hp Motor, Simplex, 3/4 in Plunger, FKM-ETP Seals
A26114	Wolverine Advanced, 12 VDC, 1/11 hp Motor, Simplex, 1/2 in Plunger, HNBR Seals
A26115	Wolverine Advanced, 12 VDC, 1/11 hp Motor, Simplex, 3/8 in Plunger, HNBR Seals
A26116	Wolverine Advanced, 12 VDC, 1/11 hp Motor, Simplex, 1/4 in Plunger, HNBR Seals
A26118	Wolverine Advanced, 12 VDC, 1/11 hp Motor, Simplex, 3/16 in Plunger, HNBR Seals
A26119	Wolverine Advanced, 12 VDC, 1/11 hp Motor, Simplex, 5/8 in Plunger, HNBR Seals
A26120	Wolverine Advanced, 12 VDC, 1/11 hp Motor, Simplex, 3/4 in Plunger, HNBR Seals
A26121	Wolverine Advanced, 12 VDC, 1/11 hp Motor, Simplex, 1/2 in Plunger, FFKM Seals
A26122	Wolverine Advanced, 12 VDC, 1/11 hp Motor, Simplex, 3/8 in Plunger, FFKM Seals
A26123	Wolverine Advanced, 12 VDC, 1/11 hp Motor, Simplex, 1/4 in Plunger, FFKM Seals
A26125	Wolverine Advanced, 12 VDC, 1/11 hp Motor, Simplex, 3/16 in Plunger, FFKM Seals
A26126	Wolverine Advanced, 12 VDC, 1/11 hp Motor, Simplex, 5/8 in Plunger, FFKM Seals
A26127	Wolverine Advanced, 12 VDC, 1/11 hp Motor, Simplex, 3/4 in Plunger, FFKM Seals

### Ordering Information

Part Number	Description
A26128	Wolverine Advanced, 12 VDC, 1/11 hp Motor, Duplex, 1/2 in Plunger, FKM Seals
A26129	Wolverine Advanced, 12 VDC, 1/11 hp Motor, Duplex, 3/8 in Plunger, FKM Seals
A26130	Wolverine Advanced, 12 VDC, 1/11 hp Motor, Duplex, 1/4 in Plunger, FKM Seals
A26132	Wolverine Advanced, 12 VDC, 1/11 hp Motor, Duplex, 3/16 in Plunger, FKM Seals
A26133	Wolverine Advanced, 12 VDC, 1/11 hp Motor, Duplex, 5/8 in Plunger, FKM Seals
A26134	Wolverine Advanced, 12 VDC, 1/11 hp Motor, Duplex, 3/4 in Plunger, FKM Seals
A26135	Wolverine Advanced, 12 VDC, 1/11 hp Motor, Duplex, 1/2 in Plunger, FKM-ETP Seals
A26136	Wolverine Advanced, 12 VDC, 1/11 hp Motor, Duplex, 3/8 in Plunger, FKM-ETP Seals
A26137	Wolverine Advanced, 12 VDC, 1/11 hp Motor, Duplex, 1/4 in Plunger, FKM-ETP Seals
A26139	Wolverine Advanced, 12 VDC, 1/11 hp Motor, Duplex, 3/16 in Plunger, FKM-ETP Seals
A26140	Wolverine Advanced, 12 VDC, 1/11 hp Motor, Duplex, 5/8 in Plunger, FKM-ETP Seals
A26141	Wolverine Advanced, 12 VDC, 1/11 hp Motor, Duplex, 3/4 in Plunger, FKM-ETP Seals
A26142	Wolverine Advanced, 12 VDC, 1/11 hp Motor, Duplex, 1/2 in Plunger, HNBR Seals
A26143	Wolverine Advanced, 12 VDC, 1/11 hp Motor, Duplex, 3/8 in Plunger, HNBR Seals
A26144	Wolverine Advanced, 12 VDC, 1/11 hp Motor, Duplex, 1/4 in Plunger, HNBR Seals
A26146	Wolverine Advanced, 12 VDC, 1/11 hp Motor, Duplex, 3/16 in Plunger, HNBR Seals
A26147	Wolverine Advanced, 12 VDC, 1/11 hp Motor, Duplex, 5/8 in Plunger, HNBR Seals
A26148	Wolverine Advanced, 12 VDC, 1/11 hp Motor, Duplex, 3/4 in Plunger, HNBR Seals
A26149	Wolverine Advanced, 12 VDC, 1/11 hp Motor, Duplex, 1/2 in Plunger, FFKM Seals
A26150	Wolverine Advanced, 12 VDC, 1/11 hp Motor, Duplex, 3/8 in Plunger, FFKM Seals
A26151	Wolverine Advanced, 12 VDC, 1/11 hp Motor, Duplex, 1/4 in Plunger, FFKM Seals
A26153	Wolverine Advanced, 12 VDC, 1/11 hp Motor, Duplex, 3/16 in Plunger, FFKM Seals
A26154	Wolverine Advanced, 12 VDC, 1/11 hp Motor, Duplex, 5/8 in Plunger, FFKM Seals
A26155	Wolverine Advanced, 12 VDC, 1/11 hp Motor, Duplex, 3/4 in Plunger, FFKM Seals

# Wolverine® DC Series Pumps

## 12 VDC Wolverine® Advanced (continued)

### Ordering Information

Part Number	Description
A26200	Wolverine Advanced, 12 VDC, 1/5 hp Motor, Simplex, 1/2 in Plunger, FKM Seals
A26201	Wolverine Advanced, 12 VDC, 1/5 hp Motor, Simplex, 3/8 in Plunger, FKM Seals
A26202	Wolverine Advanced, 12 VDC, 1/5 hp Motor, Simplex, 1/4 in Plunger, FKM Seals
A26204	Wolverine Advanced, 12 VDC, 1/5 hp Motor, Simplex, 3/16 in Plunger, FKM Seals
A26205	Wolverine Advanced, 12 VDC, 1/5 hp Motor, Simplex, 5/8 in Plunger, FKM Seals
A26206	Wolverine Advanced, 12 VDC, 1/5 hp Motor, Simplex, 3/4 in Plunger, FKM Seals
A26207	Wolverine Advanced, 12 VDC, 1/5 hp Motor, Simplex, 1/2 in Plunger, FKM-ETP Seals
A26208	Wolverine Advanced, 12 VDC, 1/5 hp Motor, Simplex, 3/8 in Plunger, FKM-ETP Seals
A26209	Wolverine Advanced, 12 VDC, 1/5 hp Motor, Simplex, 1/4 in Plunger, FKM-ETP Seals
A26211	Wolverine Advanced, 12 VDC, 1/5 hp Motor, Simplex, 3/16 in Plunger, FKM-ETP Seals
A26212	Wolverine Advanced, 12 VDC, 1/5 hp Motor, Simplex, 5/8 in Plunger, FKM-ETP Seals
A26213	Wolverine Advanced, 12 VDC, 1/5 hp Motor, Simplex, 3/4 in Plunger, FKM-ETP Seals
A26214	Wolverine Advanced, 12 VDC, 1/5 hp Motor, Simplex, 1/2 in Plunger, HNBR Seals
A26215	Wolverine Advanced, 12 VDC, 1/5 hp Motor, Simplex, 3/8 in Plunger, HNBR Seals
A26216	Wolverine Advanced, 12 VDC, 1/5 hp Motor, Simplex, 1/4 in Plunger, HNBR Seals
A26218	Wolverine Advanced, 12 VDC, 1/5 hp Motor, Simplex, 3/16 in Plunger, HNBR Seals
A26219	Wolverine Advanced, 12 VDC, 1/5 hp Motor, Simplex, 5/8 in Plunger, HNBR Seals
A26220	Wolverine Advanced, 12 VDC, 1/5 hp Motor, Simplex, 3/4 in Plunger, HNBR Seals
A26221	Wolverine Advanced, 12 VDC, 1/5 hp Motor, Simplex, 1/2 in Plunger, FFKM Seals
A26222	Wolverine Advanced, 12 VDC, 1/5 hp Motor, Simplex, 3/8 in Plunger, FFKM Seals
A26223	Wolverine Advanced, 12 VDC, 1/5 hp Motor, Simplex, 1/4 in Plunger, FFKM Seals
A26225	Wolverine Advanced, 12 VDC, 1/5 hp Motor, Simplex, 3/16 in Plunger, FFKM Seals
A26226	Wolverine Advanced, 12 VDC, 1/5 hp Motor, Simplex, 5/8 in Plunger, FFKM Seals
A26227	Wolverine Advanced, 12 VDC, 1/5 hp Motor, Simplex, 3/4 in Plunger, FFKM Seals

### Ordering Information

Part Number	Description
A26228	Wolverine Advanced, 12 VDC, 1/5 hp Motor, Duplex, 1/2 in Plunger, FKM Seals
A26229	Wolverine Advanced, 12 VDC, 1/5 hp Motor, Duplex, 3/8 in Plunger, FKM Seals
A26230	Wolverine Advanced, 12 VDC, 1/5 hp Motor, Duplex, 1/4 in Plunger, FKM Seals
A26232	Wolverine Advanced, 12 VDC, 1/5 hp Motor, Duplex, 3/16 in Plunger, FKM Seals
A26233	Wolverine Advanced, 12 VDC, 1/5 hp Motor, Duplex, 5/8 in Plunger, FKM Seals
A26234	Wolverine Advanced, 12 VDC, 1/5 hp Motor, Duplex, 3/4 in Plunger, FKM Seals
A26235	Wolverine Advanced, 12 VDC, 1/5 hp Motor, Duplex, 1/2 in Plunger, FKM-ETP Seals
A26236	Wolverine Advanced, 12 VDC, 1/5 hp Motor, Duplex, 3/8 in Plunger, FKM-ETP Seals
A26237	Wolverine Advanced, 12 VDC, 1/5 hp Motor, Duplex, 1/4 in Plunger, FKM-ETP Seals
A26239	Wolverine Advanced, 12 VDC, 1/5 hp Motor, Duplex, 3/16 in Plunger, FKM-ETP Seals
A26240	Wolverine Advanced, 12 VDC, 1/5 hp Motor, Duplex, 5/8 in Plunger, FKM-ETP Seals
A26241	Wolverine Advanced, 12 VDC, 1/5 hp Motor, Duplex, 3/4 in Plunger, FKM-ETP Seals
A26242	Wolverine Advanced, 12 VDC, 1/5 hp Motor, Duplex, 1/2 in Plunger, HNBR Seals
A26243	Wolverine Advanced, 12 VDC, 1/5 hp Motor, Duplex, 3/8 in Plunger, HNBR Seals
A26244	Wolverine Advanced, 12 VDC, 1/5 hp Motor, Duplex, 1/4 in Plunger, HNBR Seals
A26246	Wolverine Advanced, 12 VDC, 1/5 hp Motor, Duplex, 3/16 in Plunger, HNBR Seals
A26247	Wolverine Advanced, 12 VDC, 1/5 hp Motor, Duplex, 5/8 in Plunger, HNBR Seals
A26248	Wolverine Advanced, 12 VDC, 1/5 hp Motor, Duplex, 3/4 in Plunger, HNBR Seals
A26249	Wolverine Advanced, 12 VDC, 1/5 hp Motor, Duplex, 1/2 in Plunger, FFKM Seals
A26250	Wolverine Advanced, 12 VDC, 1/5 hp Motor, Duplex, 3/8 in Plunger, FFKM Seals
A26251	Wolverine Advanced, 12 VDC, 1/5 hp Motor, Duplex, 1/4 in Plunger, FFKM Seals
A26253	Wolverine Advanced, 12 VDC, 1/5 hp Motor, Duplex, 3/16 in Plunger, FFKM Seals
A26254	Wolverine Advanced, 12 VDC, 1/5 hp Motor, Duplex, 5/8 in Plunger, FFKM Seals
A26255	Wolverine Advanced, 12 VDC, 1/5 hp Motor, Duplex, 3/4 in Plunger, FFKM Seals

# Wolverine® DC Series Pumps

## 12 VDC Wolverine® Advanced (continued)

### Ordering Information

Part Number	Description
A29100	Wolverine Advanced, 12 VDC, 1/11 hp Motor, Simplex, 1/2 in Plunger, FKM Seals, Cycle Counter
A29101	Wolverine Advanced, 12 VDC, 1/11 hp Motor, Simplex, 3/8 in Plunger, FKM Seals, Cycle Counter
A29102	Wolverine Advanced, 12 VDC, 1/11 hp Motor, Simplex, 1/4 in Plunger, FKM Seals, Cycle Counter
A29104	Wolverine Advanced, 12 VDC, 1/11 hp Motor, Simplex, 3/16 in Plunger, FKM Seals, Cycle Counter
A29105	Wolverine Advanced, 12 VDC, 1/11 hp Motor, Simplex, 5/8 in Plunger, FKM Seals, Cycle Counter
A29106	Wolverine Advanced, 12 VDC, 1/11 hp Motor, Simplex, 3/4 in Plunger, FKM Seals, Cycle Counter
A29107	Wolverine Advanced, 12 VDC, 1/11 hp Motor, Simplex, 1/2 in Plunger, FKM-ETP Seals, Cycle Counter
A29108	Wolverine Advanced, 12 VDC, 1/11 hp Motor, Simplex, 3/8 in Plunger, FKM-ETP Seals, Cycle Counter
A29109	Wolverine Advanced, 12 VDC, 1/11 hp Motor, Simplex, 1/4 in Plunger, FKM-ETP Seals, Cycle Counter
A29111	Wolverine Advanced, 12 VDC, 1/11 hp Motor, Simplex, 3/16 in Plunger, FKM-ETP Seals, Cycle Counter
A29112	Wolverine Advanced, 12 VDC, 1/11 hp Motor, Simplex, 5/8 in Plunger, FKM-ETP Seals, Cycle Counter
A29113	Wolverine Advanced, 12 VDC, 1/11 hp Motor, Simplex, 3/4 in Plunger, FKM-ETP Seals, Cycle Counter
A29114	Wolverine Advanced, 12 VDC, 1/11 hp Motor, Simplex, 1/2 in Plunger, HNBR Seals, Cycle Counter
A29115	Wolverine Advanced, 12 VDC, 1/11 hp Motor, Simplex, 3/8 in Plunger, HNBR Seals, Cycle Counter
A29116	Wolverine Advanced, 12 VDC, 1/11 hp Motor, Simplex, 1/4 in Plunger, HNBR Seals, Cycle Counter
A29118	Wolverine Advanced, 12 VDC, 1/11 hp Motor, Simplex, 3/16 in Plunger, HNBR Seals, Cycle Counter
A29119	Wolverine Advanced, 12 VDC, 1/11 hp Motor, Simplex, 5/8 in Plunger, HNBR Seals, Cycle Counter
A29120	Wolverine Advanced, 12 VDC, 1/11 hp Motor, Simplex, 3/4 in Plunger, HNBR Seals, Cycle Counter
A29121	Wolverine Advanced, 12 VDC, 1/11 hp Motor, Simplex, 1/2 in Plunger, FFKM Seals, Cycle Counter
A29122	Wolverine Advanced, 12 VDC, 1/11 hp Motor, Simplex, 3/8 in Plunger, FFKM Seals, Cycle Counter
A29123	Wolverine Advanced, 12 VDC, 1/11 hp Motor, Simplex, 1/4 in Plunger, FFKM Seals, Cycle Counter
A29125	Wolverine Advanced, 12 VDC, 1/11 hp Motor, Simplex, 3/16 in Plunger, FFKM Seals, Cycle Counter
A29126	Wolverine Advanced, 12 VDC, 1/11 hp Motor, Simplex, 5/8 in Plunger, FFKM Seals, Cycle Counter
A29127	Wolverine Advanced, 12 VDC, 1/11 hp Motor, Simplex, 3/4 in Plunger, FFKM Seals, Cycle Counter

### Ordering Information

Part Number	Description
A29128	Wolverine Advanced, 12 VDC, 1/11 hp Motor, Duplex, 1/2 in Plunger, FKM Seals, Cycle Counter
A29129	Wolverine Advanced, 12 VDC, 1/11 hp Motor, Duplex, 3/8 in Plunger, FKM Seals, Cycle Counter
A29130	Wolverine Advanced, 12 VDC, 1/11 hp Motor, Duplex, 1/4 in Plunger, FKM Seals, Cycle Counter
A29132	Wolverine Advanced, 12 VDC, 1/11 hp Motor, Duplex, 3/16 in Plunger, FKM Seals, Cycle Counter
A29133	Wolverine Advanced, 12 VDC, 1/11 hp Motor, Duplex, 5/8 in Plunger, FKM Seals, Cycle Counter
A29134	Wolverine Advanced, 12 VDC, 1/11 hp Motor, Duplex, 3/4 in Plunger, FKM Seals, Cycle Counter
A29135	Wolverine Advanced, 12 VDC, 1/11 hp Motor, Duplex, 1/2 in Plunger, FKM-ETP Seals, Cycle Counter
A29136	Wolverine Advanced, 12 VDC, 1/11 hp Motor, Duplex, 3/8 in Plunger, FKM-ETP Seals, Cycle Counter
A29137	Wolverine Advanced, 12 VDC, 1/11 hp Motor, Duplex, 1/4 in Plunger, FKM-ETP Seals, Cycle Counter
A29139	Wolverine Advanced, 12 VDC, 1/11 hp Motor, Duplex, 3/16 in Plunger, FKM-ETP Seals, Cycle Counter
A29140	Wolverine Advanced, 12 VDC, 1/11 hp Motor, Duplex, 5/8 in Plunger, FKM-ETP Seals, Cycle Counter
A29141	Wolverine Advanced, 12 VDC, 1/11 hp Motor, Duplex, 3/4 in Plunger, FKM-ETP Seals, Cycle Counter
A29142	Wolverine Advanced, 12 VDC, 1/11 hp Motor, Duplex, 1/2 in Plunger, HNBR Seals, Cycle Counter
A29143	Wolverine Advanced, 12 VDC, 1/11 hp Motor, Duplex, 3/8 in Plunger, HNBR Seals, Cycle Counter
A29144	Wolverine Advanced, 12 VDC, 1/11 hp Motor, Duplex, 1/4 in Plunger, HNBR Seals, Cycle Counter
A29146	Wolverine Advanced, 12 VDC, 1/11 hp Motor, Duplex, 3/16 in Plunger, HNBR Seals, Cycle Counter
A29147	Wolverine Advanced, 12 VDC, 1/11 hp Motor, Duplex, 5/8 in Plunger, HNBR Seals, Cycle Counter
A29148	Wolverine Advanced, 12 VDC, 1/11 hp Motor, Duplex, 3/4 in Plunger, HNBR Seals, Cycle Counter
A29149	Wolverine Advanced, 12 VDC, 1/11 hp Motor, Duplex, 1/2 in Plunger, FFKM Seals, Cycle Counter
A29150	Wolverine Advanced, 12 VDC, 1/11 hp Motor, Duplex, 3/8 in Plunger, FFKM Seals, Cycle Counter
A29151	Wolverine Advanced, 12 VDC, 1/11 hp Motor, Duplex, 1/4 in Plunger, FFKM Seals, Cycle Counter
A29153	Wolverine Advanced, 12 VDC, 1/11 hp Motor, Duplex, 3/16 in Plunger, FFKM Seals, Cycle Counter
A29154	Wolverine Advanced, 12 VDC, 1/11 hp Motor, Duplex, 5/8 in Plunger, FFKM Seals, Cycle Counter
A29155	Wolverine Advanced, 12 VDC, 1/11 hp Motor, Duplex, 3/4 in Plunger, FFKM Seals, Cycle Counter

# Wolverine® DC Series Pumps

## 12 VDC Wolverine® Advanced (continued)

### Ordering Information

Part Number	Description
A29200	Wolverine Advanced, 12 VDC, 1/5 hp Motor, Simplex, 1/2 in Plunger, FKM Seals, Cycle Counter
A29201	Wolverine Advanced, 12 VDC, 1/5 hp Motor, Simplex, 3/8 in Plunger, FKM Seals, Cycle Counter
A29202	Wolverine Advanced, 12 VDC, 1/5 hp Motor, Simplex, 1/4 in Plunger, FKM Seals, Cycle Counter
A29204	Wolverine Advanced, 12 VDC, 1/5 hp Motor, Simplex, 3/16 in Plunger, FKM Seals, Cycle Counter
A29205	Wolverine Advanced, 12 VDC, 1/5 hp Motor, Simplex, 5/8 in Plunger, FKM Seals, Cycle Counter
A29206	Wolverine Advanced, 12 VDC, 1/5 hp Motor, Simplex, 3/4 in Plunger, FKM Seals, Cycle Counter
A29207	Wolverine Advanced, 12 VDC, 1/5 hp Motor, Simplex, 1/2 in Plunger, FKM-ETP Seals, Cycle Counter
A29208	Wolverine Advanced, 12 VDC, 1/5 hp Motor, Simplex, 3/8 in Plunger, FKM-ETP Seals, Cycle Counter
A29209	Wolverine Advanced, 12 VDC, 1/5 hp Motor, Simplex, 1/4 in Plunger, FKM-ETP Seals, Cycle Counter
A29211	Wolverine Advanced, 12 VDC, 1/5 hp Motor, Simplex, 3/16 in Plunger, FKM-ETP Seals, Cycle Counter
A29212	Wolverine Advanced, 12 VDC, 1/5 hp Motor, Simplex, 5/8 in Plunger, FKM-ETP Seals, Cycle Counter
A29213	Wolverine Advanced, 12 VDC, 1/5 hp Motor, Simplex, 3/4 in Plunger, FKM-ETP Seals, Cycle Counter
A29214	Wolverine Advanced, 12 VDC, 1/5 hp Motor, Simplex, 1/2 in Plunger, HNBR Seals, Cycle Counter
A29215	Wolverine Advanced, 12 VDC, 1/5 hp Motor, Simplex, 3/8 in Plunger, HNBR Seals, Cycle Counter
A29216	Wolverine Advanced, 12 VDC, 1/5 hp Motor, Simplex, 1/4 in Plunger, HNBR Seals, Cycle Counter
A29218	Wolverine Advanced, 12 VDC, 1/5 hp Motor, Simplex, 3/16 in Plunger, HNBR Seals, Cycle Counter
A29219	Wolverine Advanced, 12 VDC, 1/5 hp Motor, Simplex, 5/8 in Plunger, HNBR Seals, Cycle Counter
A29220	Wolverine Advanced, 12 VDC, 1/5 hp Motor, Simplex, 3/4 in Plunger, HNBR Seals, Cycle Counter
A29221	Wolverine Advanced, 12 VDC, 1/5 hp Motor, Simplex, 1/2 in Plunger, FFKM Seals, Cycle Counter
A29222	Wolverine Advanced, 12 VDC, 1/5 hp Motor, Simplex, 3/8 in Plunger, FFKM Seals, Cycle Counter
A29223	Wolverine Advanced, 12 VDC, 1/5 hp Motor, Simplex, 1/4 in Plunger, FFKM Seals, Cycle Counter
A29225	Wolverine Advanced, 12 VDC, 1/5 hp Motor, Simplex, 3/16 in Plunger, FFKM Seals, Cycle Counter
A29226	Wolverine Advanced, 12 VDC, 1/5 hp Motor, Simplex, 5/8 in Plunger, FFKM Seals, Cycle Counter
A29227	Wolverine Advanced, 12 VDC, 1/5 hp Motor, Simplex, 3/4 in Plunger, FFKM Seals, Cycle Counter

### Ordering Information

Part Number	Description
A29228	Wolverine Advanced, 12 VDC, 1/5 hp Motor, Duplex, 1/2 in Plunger, FKM Seals, Cycle Counter
A29229	Wolverine Advanced, 12 VDC, 1/5 hp Motor, Duplex, 3/8 in Plunger, FKM Seals, Cycle Counter
A29230	Wolverine Advanced, 12 VDC, 1/5 hp Motor, Duplex, 1/4 in Plunger, FKM Seals, Cycle Counter
A29232	Wolverine Advanced, 12 VDC, 1/5 hp Motor, Duplex, 3/16 in Plunger, FKM Seals, Cycle Counter
A29233	Wolverine Advanced, 12 VDC, 1/5 hp Motor, Duplex, 5/8 in Plunger, FKM Seals, Cycle Counter
A29234	Wolverine Advanced, 12 VDC, 1/5 hp Motor, Duplex, 3/4 in Plunger, FKM Seals, Cycle Counter
A29235	Wolverine Advanced, 12 VDC, 1/5 hp Motor, Duplex, 1/2 in Plunger, FKM-ETP Seals, Cycle Counter
A29236	Wolverine Advanced, 12 VDC, 1/5 hp Motor, Duplex, 3/8 in Plunger, FKM-ETP Seals, Cycle Counter
A29237	Wolverine Advanced, 12 VDC, 1/5 hp Motor, Duplex, 1/4 in Plunger, FKM-ETP Seals, Cycle Counter
A29239	Wolverine Advanced, 12 VDC, 1/5 hp Motor, Duplex, 3/16 in Plunger, FKM-ETP Seals, Cycle Counter
A29240	Wolverine Advanced, 12 VDC, 1/5 hp Motor, Duplex, 5/8 in Plunger, FKM-ETP Seals, Cycle Counter
A29241	Wolverine Advanced, 12 VDC, 1/5 hp Motor, Duplex, 3/4 in Plunger, FKM-ETP Seals, Cycle Counter
A29242	Wolverine Advanced, 12 VDC, 1/5 hp Motor, Duplex, 1/2 in Plunger, HNBR Seals, Cycle Counter
A29243	Wolverine Advanced, 12 VDC, 1/5 hp Motor, Duplex, 3/8 in Plunger, HNBR Seals, Cycle Counter
A29244	Wolverine Advanced, 12 VDC, 1/5 hp Motor, Duplex, 1/4 in Plunger, HNBR Seals, Cycle Counter
A29246	Wolverine Advanced, 12 VDC, 1/5 hp Motor, Duplex, 3/16 in Plunger, HNBR Seals, Cycle Counter
A29247	Wolverine Advanced, 12 VDC, 1/5 hp Motor, Duplex, 5/8 in Plunger, HNBR Seals, Cycle Counter
A29248	Wolverine Advanced, 12 VDC, 1/5 hp Motor, Duplex, 3/4 in Plunger, HNBR Seals, Cycle Counter
A29249	Wolverine Advanced, 12 VDC, 1/5 hp Motor, Duplex, 1/2 in Plunger, FFKM Seals, Cycle Counter
A29250	Wolverine Advanced, 12 VDC, 1/5 hp Motor, Duplex, 3/8 in Plunger, FFKM Seals, Cycle Counter
A29251	Wolverine Advanced, 12 VDC, 1/5 hp Motor, Duplex, 1/4 in Plunger, FFKM Seals, Cycle Counter
A29253	Wolverine Advanced, 12 VDC, 1/5 hp Motor, Duplex, 3/16 in Plunger, FFKM Seals, Cycle Counter
A29254	Wolverine Advanced, 12 VDC, 1/5 hp Motor, Duplex, 5/8 in Plunger, FFKM Seals, Cycle Counter
A29255	Wolverine Advanced, 12 VDC, 1/5 hp Motor, Duplex, 3/4 in Plunger, FFKM Seals, Cycle Counter

# Wolverine® AC Series Pumps

## 115 VAC Wolverine® Advanced

### AC Pumps

Plunger (in)	Max Pressure, 1/11 hp Motor (psi)	Max Pressure, 1/5 hp Motor (psi)	Max Flow, Simplex (gal/day)	Max Flow, Duplex (gal/day)
3/16	7,000	10,000	10	20
1/4	3,500	6,000	17	34
3/8	1,500	2,500	39	78
1/2	800	1,250	70	140
5/8	500	900	109	218
3/4	350	600	157	314

### Ordering Information

Part Number	Description
A26500	Wolverine Advanced, 115 VAC Motor, Simplex, 1/2 in Plunger, FKM Seals
A26501	Wolverine Advanced, 115 VAC Motor, Simplex, 3/8 in Plunger, FKM Seals
A26502	Wolverine Advanced, 115 VAC Motor, Simplex, 1/4 in Plunger, FKM Seals
A26504	Wolverine Advanced, 115 VAC Motor, Simplex, 3/16 in Plunger, FKM Seals
A26505	Wolverine Advanced, 115 VAC Motor, Simplex, 5/8 in Plunger, FKM Seals
A26506	Wolverine Advanced, 115 VAC Motor, Simplex, 3/4 in Plunger, FKM Seals
A26507	Wolverine Advanced, 115 VAC Motor, Simplex, 1/2 in Plunger, FKM-ETP Seals
A26508	Wolverine Advanced, 115 VAC Motor, Simplex, 3/8 in Plunger, FKM-ETP Seals
A26509	Wolverine Advanced, 115 VAC Motor, Simplex, 1/4 in Plunger, FKM-ETP Seals
A26511	Wolverine Advanced, 115 VAC Motor, Simplex, 3/16 in Plunger, FKM-ETP Seals
A26512	Wolverine Advanced, 115 VAC Motor, Simplex, 5/8 in Plunger, FKM-ETP Seals
A26513	Wolverine Advanced, 115 VAC Motor, Simplex, 3/4 in Plunger, FKM-ETP Seals
A26514	Wolverine Advanced, 115 VAC Motor, Simplex, 1/2 in Plunger, HNBR Seals
A26515	Wolverine Advanced, 115 VAC Motor, Simplex, 3/8 in Plunger, HNBR Seals
A26516	Wolverine Advanced, 115 VAC Motor, Simplex, 1/4 in Plunger, HNBR Seals
A26518	Wolverine Advanced, 115 VAC Motor, Simplex, 3/16 in Plunger, HNBR Seals
A26519	Wolverine Advanced, 115 VAC Motor, Simplex, 5/8 in Plunger, HNBR Seals

### Ordering Information

Part Number	Description
A26520	Wolverine Advanced, 115 VAC Motor, Simplex, 3/4 in Plunger, HNBR Seals
A26521	Wolverine Advanced, 115 VAC Motor, Simplex, 1/2 in Plunger, FFKM Seals
A26522	Wolverine Advanced, 115 VAC Motor, Simplex, 3/8 in Plunger, FFKM Seals
A26523	Wolverine Advanced, 115 VAC Motor, Simplex, 1/4 in Plunger, FFKM Seals
A26525	Wolverine Advanced, 115 VAC Motor, Simplex, 3/16 in Plunger, FFKM Seals
A26526	Wolverine Advanced, 115 VAC Motor, Simplex, 5/8 in Plunger, FFKM Seals
A26527	Wolverine Advanced, 115 VAC Motor, Simplex, 3/4 in Plunger, FFKM Seals
A26528	Wolverine Advanced, 115 VAC Motor, Duplex, 1/2 in Plunger, FKM Seals
A26529	Wolverine Advanced, 115 VAC Motor, Duplex, 3/8 in Plunger, FKM Seals
A26530	Wolverine Advanced, 115 VAC Motor, Duplex, 1/4 in Plunger, FKM Seals
A26532	Wolverine Advanced, 115 VAC Motor, Duplex, 3/16 in Plunger, FKM Seals
A26533	Wolverine Advanced, 115 VAC Motor, Duplex, 5/8 in Plunger, FKM Seals
A26534	Wolverine Advanced, 115 VAC Motor, Duplex, 3/4 in Plunger, FKM Seals
A26535	Wolverine Advanced, 115 VAC Motor, Duplex, 1/2 in Plunger, FKM-ETP Seals
A26536	Wolverine Advanced, 115 VAC Motor, Duplex, 3/8 in Plunger, FKM-ETP Seals
A26537	Wolverine Advanced, 115 VAC Motor, Duplex, 1/4 in Plunger, FKM-ETP Seals
A26539	Wolverine Advanced, 115 VAC Motor, Duplex, 3/16 in Plunger, FKM-ETP Seals

\* All VAC motors have a 1/5 hp power rating

# Wolverine® AC Series Pumps

## 115 VAC Wolverine® Advanced (continued)

### Ordering Information

Part Number	Description
A26540	Wolverine Advanced, 115 VAC Motor, Duplex, 5/8 in Plunger, FKM-ETP Seals
A26541	Wolverine Advanced, 115 VAC Motor, Duplex, 3/4 in Plunger, FKM-ETP Seals
A26542	Wolverine Advanced, 115 VAC Motor, Duplex, 1/2 in Plunger, HNBR Seals
A26543	Wolverine Advanced, 115 VAC Motor, Duplex, 3/8 in Plunger, HNBR Seals
A26544	Wolverine Advanced, 115 VAC Motor, Duplex, 1/4 in Plunger, HNBR Seals
A26546	Wolverine Advanced, 115 VAC Motor, Duplex, 3/16 in Plunger, HNBR Seals
A26547	Wolverine Advanced, 115 VAC Motor, Duplex, 5/8 in Plunger, HNBR Seals
A26548	Wolverine Advanced, 115 VAC Motor, Duplex, 3/4 in Plunger, HNBR Seals
A26549	Wolverine Advanced, 115 VAC Motor, Duplex, 1/2 in Plunger, FFKM Seals
A26550	Wolverine Advanced, 115 VAC Motor, Duplex, 3/8 in Plunger, FFKM Seals
A26551	Wolverine Advanced, 115 VAC Motor, Duplex, 1/4 in Plunger, FFKM Seals
A26553	Wolverine Advanced, 115 VAC Motor, Duplex, 3/16 in Plunger, FFKM Seals
A26554	Wolverine Advanced, 115 VAC Motor, Duplex, 5/8 in Plunger, FFKM Seals
A26555	Wolverine Advanced, 115 VAC Motor, Duplex, 3/4 in Plunger, FFKM Seals
A29500	Wolverine Advanced, 115 VAC Motor, Simplex, 1/2 in Plunger, FKM Seals, Cycle Counter
A29501	Wolverine Advanced, 115 VAC Motor, Simplex, 3/8 in Plunger, FKM Seals, Cycle Counter
A29502	Wolverine Advanced, 115 VAC Motor, Simplex, 1/4 in Plunger, FKM Seals, Cycle Counter
A29504	Wolverine Advanced, 115 VAC Motor, Simplex, 3/16 in Plunger, FKM Seals, Cycle Counter
A29505	Wolverine Advanced, 115 VAC Motor, Simplex, 5/8 in Plunger, FKM Seals, Cycle Counter
A29506	Wolverine Advanced, 115 VAC Motor, Simplex, 3/4 in Plunger, FKM Seals, Cycle Counter
A29507	Wolverine Advanced, 115 VAC Motor, Simplex, 1/2 in Plunger, FKM-ETP Seals, Cycle Counter
A29508	Wolverine Advanced, 115 VAC Motor, Simplex, 3/8 in Plunger, FKM-ETP Seals, Cycle Counter
A29509	Wolverine Advanced, 115 VAC Motor, Simplex, 1/4 in Plunger, FKM-ETP Seals, Cycle Counter
A29511	Wolverine Advanced, 115 VAC Motor, Simplex, 3/16 in Plunger, FKM-ETP Seals, Cycle Counter

### Ordering Information

Part Number	Description
A29512	Wolverine Advanced, 115 VAC Motor, Simplex, 5/8 in Plunger, FKM-ETP Seals, Cycle Counter
A29513	Wolverine Advanced, 115 VAC Motor, Simplex, 3/4 in Plunger, FKM-ETP Seals, Cycle Counter
A29514	Wolverine Advanced, 115 VAC Motor, Simplex, 1/2 in Plunger, HNBR Seals, Cycle Counter
A29515	Wolverine Advanced, 115 VAC Motor, Simplex, 3/8 in Plunger, HNBR Seals, Cycle Counter
A29516	Wolverine Advanced, 115 VAC Motor, Simplex, 1/4 in Plunger, HNBR Seals, Cycle Counter
A29518	Wolverine Advanced, 115 VAC Motor, Simplex, 3/16 in Plunger, HNBR Seals, Cycle Counter
A29519	Wolverine Advanced, 115 VAC Motor, Simplex, 5/8 in Plunger, HNBR Seals, Cycle Counter
A29520	Wolverine Advanced, 115 VAC Motor, Simplex, 3/4 in Plunger, HNBR Seals, Cycle Counter
A29521	Wolverine Advanced, 115 VAC Motor, Simplex, 1/2 in Plunger, FFKM Seals, Cycle Counter
A29522	Wolverine Advanced, 115 VAC Motor, Simplex, 3/8 in Plunger, FFKM Seals, Cycle Counter
A29523	Wolverine Advanced, 115 VAC Motor, Simplex, 1/4 in Plunger, FFKM Seals, Cycle Counter
A29525	Wolverine Advanced, 115 VAC Motor, Simplex, 3/16 in Plunger, FFKM Seals, Cycle Counter
A29526	Wolverine Advanced, 115 VAC Motor, Simplex, 5/8 in Plunger, FFKM Seals, Cycle Counter
A29527	Wolverine Advanced, 115 VAC Motor, Simplex, 3/4 in Plunger, FFKM Seals, Cycle Counter
A29528	Wolverine Advanced, 115 VAC Motor, Duplex, 1/2 in Plunger, FKM Seals, Cycle Counter
A29529	Wolverine Advanced, 115 VAC Motor, Duplex, 3/8 in Plunger, FKM Seals, Cycle Counter
A29530	Wolverine Advanced, 115 VAC Motor, Duplex, 1/4 in Plunger, FKM Seals, Cycle Counter
A29532	Wolverine Advanced, 115 VAC Motor, Duplex, 3/16 in Plunger, FKM Seals, Cycle Counter
A29533	Wolverine Advanced, 115 VAC Motor, Duplex, 5/8 in Plunger, FKM Seals, Cycle Counter
A29534	Wolverine Advanced, 115 VAC Motor, Duplex, 3/4 in Plunger, FKM Seals, Cycle Counter
A29535	Wolverine Advanced, 115 VAC Motor, Duplex, 1/2 in Plunger, FKM-ETP Seals, Cycle Counter
A29536	Wolverine Advanced, 115 VAC Motor, Duplex, 3/8 in Plunger, FKM-ETP Seals, Cycle Counter
A29537	Wolverine Advanced, 115 VAC Motor, Duplex, 1/4 in Plunger, FKM-ETP Seals, Cycle Counter
A29539	Wolverine Advanced, 115 VAC Motor, Duplex, 3/16 in Plunger, FKM-ETP Seals, Cycle Counter

\* All VAC motors have a 1/5 hp power rating

# Wolverine® AC Series Pumps

## 115 VAC Wolverine® Advanced (continued)

### Ordering Information

Part Number	Description
A29540	Wolverine Advanced, 115 VAC Motor, Duplex, 5/8 in Plunger, FKM-ETP Seals, Cycle Counter
A29541	Wolverine Advanced, 115 VAC Motor, Duplex, 3/4 in Plunger, FKM-ETP Seals, Cycle Counter
A29542	Wolverine Advanced, 115 VAC Motor, Duplex, 1/2 in Plunger, HNBR Seals, Cycle Counter
A29543	Wolverine Advanced, 115 VAC Motor, Duplex, 3/8 in Plunger, HNBR Seals, Cycle Counter
A29544	Wolverine Advanced, 115 VAC Motor, Duplex, 1/4 in Plunger, HNBR Seals, Cycle Counter
A29546	Wolverine Advanced, 115 VAC Motor, Duplex, 3/16 in Plunger, HNBR Seals, Cycle Counter
A29547	Wolverine Advanced, 115 VAC Motor, Duplex, 5/8 in Plunger, HNBR Seals, Cycle Counter

### Ordering Information

Part Number	Description
A29548	Wolverine Advanced, 115 VAC Motor, Duplex, 3/4 in Plunger, HNBR Seals, Cycle Counter
A29549	Wolverine Advanced, 115 VAC Motor, Duplex, 1/2 in Plunger, FFKM Seals, Cycle Counter
A29550	Wolverine Advanced, 115 VAC Motor, Duplex, 3/8 in Plunger, FFKM Seals, Cycle Counter
A29551	Wolverine Advanced, 115 VAC Motor, Duplex, 1/4 in Plunger, FFKM Seals, Cycle Counter
A29553	Wolverine Advanced, 115 VAC Motor, Duplex, 3/16 in Plunger, FFKM Seals, Cycle Counter
A29554	Wolverine Advanced, 115 VAC Motor, Duplex, 5/8 in Plunger, FFKM Seals, Cycle Counter
A29555	Wolverine Advanced, 115 VAC Motor, Duplex, 3/4 in Plunger, FFKM Seals, Cycle Counter

\* All VAC motors have a 1/5 hp power rating



# Wolverine® AC Series Pumps

## 230 VAC Wolverine® Advanced

### Ordering Information

Part Number	Description
A26600	Wolverine Advanced, 230 VAC Motor, Simplex, 1/2 in Plunger, FKM Seals
A26601	Wolverine Advanced, 230 VAC Motor, Simplex, 3/8 in Plunger, FKM Seals
A26602	Wolverine Advanced, 230 VAC Motor, Simplex, 1/4 in Plunger, FKM Seals
A26604	Wolverine Advanced, 230 VAC Motor, Simplex, 3/16 in Plunger, FKM Seals
A26605	Wolverine Advanced, 230 VAC Motor, Simplex, 5/8 in Plunger, FKM Seals
A26606	Wolverine Advanced, 230 VAC Motor, Simplex, 3/4 in Plunger, FKM Seals
A26607	Wolverine Advanced, 230 VAC Motor, Simplex, 1/2 in Plunger, FKM-ETP Seals
A26608	Wolverine Advanced, 230 VAC Motor, Simplex, 3/8 in Plunger, FKM-ETP Seals
A26609	Wolverine Advanced, 230 VAC Motor, Simplex, 1/4 in Plunger, FKM-ETP Seals
A26611	Wolverine Advanced, 230 VAC Motor, Simplex, 3/16 in Plunger, FKM-ETP Seals
A26612	Wolverine Advanced, 230 VAC Motor, Simplex, 5/8 in Plunger, FKM-ETP Seals
A26613	Wolverine Advanced, 230 VAC Motor, Simplex, 3/4 in Plunger, FKM-ETP Seals
A26614	Wolverine Advanced, 230 VAC Motor, Simplex, 1/2 in Plunger, HNBR Seals
A26615	Wolverine Advanced, 230 VAC Motor, Simplex, 3/8 in Plunger, HNBR Seals
A26616	Wolverine Advanced, 230 VAC Motor, Simplex, 1/4 in Plunger, HNBR Seals
A26618	Wolverine Advanced, 230 VAC Motor, Simplex, 3/16 in Plunger, HNBR Seals
A26619	Wolverine Advanced, 230 VAC Motor, Simplex, 5/8 in Plunger, HNBR Seals
A26620	Wolverine Advanced, 230 VAC Motor, Simplex, 3/4 in Plunger, HNBR Seals
A26621	Wolverine Advanced, 230 VAC Motor, Simplex, 1/2 in Plunger, FFKM Seals
A26622	Wolverine Advanced, 230 VAC Motor, Simplex, 3/8 in Plunger, FFKM Seals
A26623	Wolverine Advanced, 230 VAC Motor, Simplex, 1/4 in Plunger, FFKM Seals
A26625	Wolverine Advanced, 230 VAC Motor, Simplex, 3/16 in Plunger, FFKM Seals
A26626	Wolverine Advanced, 230 VAC Motor, Simplex, 5/8 in Plunger, FFKM Seals
A26627	Wolverine Advanced, 230 VAC Motor, Simplex, 3/4 in Plunger, FFKM Seals

### Ordering Information

Part Number	Description
A26628	Wolverine Advanced, 230 VAC Motor, Duplex, 1/2 in Plunger, FKM Seals
A26629	Wolverine Advanced, 230 VAC Motor, Duplex, 3/8 in Plunger, FKM Seals
A26630	Wolverine Advanced, 230 VAC Motor, Duplex, 1/4 in Plunger, FKM Seals
A26632	Wolverine Advanced, 230 VAC Motor, Duplex, 3/16 in Plunger, FKM Seals
A26633	Wolverine Advanced, 230 VAC Motor, Duplex, 5/8 in Plunger, FKM Seals
A26634	Wolverine Advanced, 230 VAC Motor, Duplex, 3/4 in Plunger, FKM Seals
A26635	Wolverine Advanced, 230 VAC Motor, Duplex, 1/2 in Plunger, FKM-ETP Seals
A26636	Wolverine Advanced, 230 VAC Motor, Duplex, 3/8 in Plunger, FKM-ETP Seals
A26637	Wolverine Advanced, 230 VAC Motor, Duplex, 1/4 in Plunger, FKM-ETP Seals
A26639	Wolverine Advanced, 230 VAC Motor, Duplex, 3/16 in Plunger, FKM-ETP Seals
A26640	Wolverine Advanced, 230 VAC Motor, Duplex, 5/8 in Plunger, FKM-ETP Seals
A26641	Wolverine Advanced, 230 VAC Motor, Duplex, 3/4 in Plunger, FKM-ETP Seals
A26642	Wolverine Advanced, 230 VAC Motor, Duplex, 1/2 in Plunger, HNBR Seals
A26643	Wolverine Advanced, 230 VAC Motor, Duplex, 3/8 in Plunger, HNBR Seals
A26644	Wolverine Advanced, 230 VAC Motor, Duplex, 1/4 in Plunger, HNBR Seals
A26646	Wolverine Advanced, 230 VAC Motor, Duplex, 3/16 in Plunger, HNBR Seals
A26647	Wolverine Advanced, 230 VAC Motor, Duplex, 5/8 in Plunger, HNBR Seals
A26648	Wolverine Advanced, 230 VAC Motor, Duplex, 3/4 in Plunger, HNBR Seals
A26649	Wolverine Advanced, 230 VAC Motor, Duplex, 1/2 in Plunger, FFKM Seals
A26650	Wolverine Advanced, 230 VAC Motor, Duplex, 3/8 in Plunger, FFKM Seals
A26651	Wolverine Advanced, 230 VAC Motor, Duplex, 1/4 in Plunger, FFKM Seals
A26653	Wolverine Advanced, 230 VAC Motor, Duplex, 3/16 in Plunger, FFKM Seals
A26654	Wolverine Advanced, 230 VAC Motor, Duplex, 5/8 in Plunger, FFKM Seals
A26655	Wolverine Advanced, 230 VAC Motor, Duplex, 3/4 in Plunger, FFKM Seals

\* All VAC motors have a 1/5 hp power rating

# Wolverine® AC Series Pumps

## 230 VAC Wolverine® Advanced (continued)

### Ordering Information

Part Number	Description
A29600	Wolverine Advanced, 230 VAC Motor, Simplex, 1/2 in Plunger, FKM Seals, Cycle Counter
A29601	Wolverine Advanced, 230 VAC Motor, Simplex, 3/8 in Plunger, FKM Seals, Cycle Counter
A29602	Wolverine Advanced, 230 VAC Motor, Simplex, 1/4 in Plunger, FKM Seals, Cycle Counter
A29604	Wolverine Advanced, 230 VAC Motor, Simplex, 3/16 in Plunger, FKM Seals, Cycle Counter
A29605	Wolverine Advanced, 230 VAC Motor, Simplex, 5/8 in Plunger, FKM Seals, Cycle Counter
A29606	Wolverine Advanced, 230 VAC Motor, Simplex, 3/4 in Plunger, FKM Seals, Cycle Counter
A29607	Wolverine Advanced, 230 VAC Motor, Simplex, 1/2 in Plunger, FKM-ETP Seals, Cycle Counter
A29608	Wolverine Advanced, 230 VAC Motor, Simplex, 3/8 in Plunger, FKM-ETP Seals, Cycle Counter
A29609	Wolverine Advanced, 230 VAC Motor, Simplex, 1/4 in Plunger, FKM-ETP Seals, Cycle Counter
A29611	Wolverine Advanced, 230 VAC Motor, Simplex, 3/16 in Plunger, FKM-ETP Seals, Cycle Counter
A29612	Wolverine Advanced, 230 VAC Motor, Simplex, 5/8 in Plunger, FKM-ETP Seals, Cycle Counter
A29613	Wolverine Advanced, 230 VAC Motor, Simplex, 3/4 in Plunger, FKM-ETP Seals, Cycle Counter
A29614	Wolverine Advanced, 230 VAC Motor, Simplex, 1/2 in Plunger, HNBR Seals, Cycle Counter
A29615	Wolverine Advanced, 230 VAC Motor, Simplex, 3/8 in Plunger, HNBR Seals, Cycle Counter
A29616	Wolverine Advanced, 230 VAC Motor, Simplex, 1/4 in Plunger, HNBR Seals, Cycle Counter
A29618	Wolverine Advanced, 230 VAC Motor, Simplex, 3/16 in Plunger, HNBR Seals, Cycle Counter
A29619	Wolverine Advanced, 230 VAC Motor, Simplex, 5/8 in Plunger, HNBR Seals, Cycle Counter
A29620	Wolverine Advanced, 230 VAC Motor, Simplex, 3/4 in Plunger, HNBR Seals, Cycle Counter
A29621	Wolverine Advanced, 230 VAC Motor, Simplex, 1/2 in Plunger, FFKM Seals, Cycle Counter
A29622	Wolverine Advanced, 230 VAC Motor, Simplex, 3/8 in Plunger, FFKM Seals, Cycle Counter
A29623	Wolverine Advanced, 230 VAC Motor, Simplex, 1/4 in Plunger, FFKM Seals, Cycle Counter
A29625	Wolverine Advanced, 230 VAC Motor, Simplex, 3/16 in Plunger, FFKM Seals, Cycle Counter
A29626	Wolverine Advanced, 230 VAC Motor, Simplex, 5/8 in Plunger, FFKM Seals, Cycle Counter
A29627	Wolverine Advanced, 230 VAC Motor, Simplex, 3/4 in Plunger, FFKM Seals, Cycle Counter

### Ordering Information

Part Number	Description
A29628	Wolverine Advanced, 230 VAC Motor, Duplex, 1/2 in Plunger, FKM Seals, Cycle Counter
A29629	Wolverine Advanced, 230 VAC Motor, Duplex, 3/8 in Plunger, FKM Seals, Cycle Counter
A29630	Wolverine Advanced, 230 VAC Motor, Duplex, 1/4 in Plunger, FKM Seals, Cycle Counter
A29632	Wolverine Advanced, 230 VAC Motor, Duplex, 3/16 in Plunger, FKM Seals, Cycle Counter
A29633	Wolverine Advanced, 230 VAC Motor, Duplex, 5/8 in Plunger, FKM Seals, Cycle Counter
A29634	Wolverine Advanced, 230 VAC Motor, Duplex, 3/4 in Plunger, FKM Seals, Cycle Counter
A29635	Wolverine Advanced, 230 VAC Motor, Duplex, 1/2 in Plunger, FKM-ETP Seals, Cycle Counter
A29636	Wolverine Advanced, 230 VAC Motor, Duplex, 3/8 in Plunger, FKM-ETP Seals, Cycle Counter
A29637	Wolverine Advanced, 230 VAC Motor, Duplex, 1/4 in Plunger, FKM-ETP Seals, Cycle Counter
A29639	Wolverine Advanced, 230 VAC Motor, Duplex, 3/16 in Plunger, FKM-ETP Seals, Cycle Counter
A29640	Wolverine Advanced, 230 VAC Motor, Duplex, 5/8 in Plunger, FKM-ETP Seals, Cycle Counter
A29641	Wolverine Advanced, 230 VAC Motor, Duplex, 3/4 in Plunger, FKM-ETP Seals, Cycle Counter
A29642	Wolverine Advanced, 230 VAC Motor, Duplex, 1/2 in Plunger, HNBR Seals, Cycle Counter
A29643	Wolverine Advanced, 230 VAC Motor, Duplex, 3/8 in Plunger, HNBR Seals, Cycle Counter
A29644	Wolverine Advanced, 230 VAC Motor, Duplex, 1/4 in Plunger, HNBR Seals, Cycle Counter
A29646	Wolverine Advanced, 230 VAC Motor, Duplex, 3/16 in Plunger, HNBR Seals, Cycle Counter
A29647	Wolverine Advanced, 230 VAC Motor, Duplex, 5/8 in Plunger, HNBR Seals, Cycle Counter
A29648	Wolverine Advanced, 230 VAC Motor, Duplex, 3/4 in Plunger, HNBR Seals, Cycle Counter
A29649	Wolverine Advanced, 230 VAC Motor, Duplex, 1/2 in Plunger, FFKM Seals, Cycle Counter
A29650	Wolverine Advanced, 230 VAC Motor, Duplex, 3/8 in Plunger, FFKM Seals, Cycle Counter
A29651	Wolverine Advanced, 230 VAC Motor, Duplex, 1/4 in Plunger, FFKM Seals, Cycle Counter
A29653	Wolverine Advanced, 230 VAC Motor, Duplex, 3/16 in Plunger, FFKM Seals, Cycle Counter
A29654	Wolverine Advanced, 230 VAC Motor, Duplex, 5/8 in Plunger, FFKM Seals, Cycle Counter
A29655	Wolverine Advanced, 230 VAC Motor, Duplex, 3/4 in Plunger, FFKM Seals, Cycle Counter

\* All VAC motors have a 1/5 hp power rating

# Wolverine® AC Series Pumps

## 230/460 VAC 3-Phase Wolverine® Advanced

### Ordering Information

Part Number	Description
A26700	Wolverine Advanced, 230/460 VAC 3-Phase Motor, Simplex, 1/2 in Plunger, FKM Seals
A26701	Wolverine Advanced, 230/460 VAC 3-Phase Motor, Simplex, 3/8 in Plunger, FKM Seals
A26702	Wolverine Advanced, 230/460 VAC 3-Phase Motor, Simplex, 1/4 in Plunger, FKM Seals
A26704	Wolverine Advanced, 230/460 VAC 3-Phase Motor, Simplex, 3/16 in Plunger, FKM Seals
A26705	Wolverine Advanced, 230/460 VAC 3-Phase Motor, Simplex, 5/8 in Plunger, FKM Seals
A26706	Wolverine Advanced, 230/460 VAC 3-Phase Motor, Simplex, 3/4 in Plunger, FKM Seals
A26707	Wolverine Advanced, 230/460 VAC 3-Phase Motor, Simplex, 1/2 in Plunger, FKM-ETP Seals
A26708	Wolverine Advanced, 230/460 VAC 3-Phase Motor, Simplex, 3/8 in Plunger, FKM-ETP Seals
A26709	Wolverine Advanced, 230/460 VAC 3-Phase Motor, Simplex, 1/4 in Plunger, FKM-ETP Seals
A26711	Wolverine Advanced, 230/460 VAC 3-Phase Motor, Simplex, 3/16 in Plunger, FKM-ETP Seals
A26712	Wolverine Advanced, 230/460 VAC 3-Phase Motor, Simplex, 5/8 in Plunger, FKM-ETP Seals
A26713	Wolverine Advanced, 230/460 VAC 3-Phase Motor, Simplex, 3/4 in Plunger, FKM-ETP Seals
A26714	Wolverine Advanced, 230/460 VAC 3-Phase Motor, Simplex, 1/2 in Plunger, HNBR Seals
A26715	Wolverine Advanced, 230/460 VAC 3-Phase Motor, Simplex, 3/8 in Plunger, HNBR Seals
A26716	Wolverine Advanced, 230/460 VAC 3-Phase Motor, Simplex, 1/4 in Plunger, HNBR Seals
A26718	Wolverine Advanced, 230/460 VAC 3-Phase Motor, Simplex, 3/16 in Plunger, HNBR Seals
A26719	Wolverine Advanced, 230/460 VAC 3-Phase Motor, Simplex, 5/8 in Plunger, HNBR Seals
A26720	Wolverine Advanced, 230/460 VAC 3-Phase Motor, Simplex, 3/4 in Plunger, HNBR Seals
A26721	Wolverine Advanced, 230/460 VAC 3-Phase Motor, Simplex, 1/2 in Plunger, FFKM Seals
A26722	Wolverine Advanced, 230/460 VAC 3-Phase Motor, Simplex, 3/8 in Plunger, FFKM Seals
A26723	Wolverine Advanced, 230/460 VAC 3-Phase Motor, Simplex, 1/4 in Plunger, FFKM Seals
A26725	Wolverine Advanced, 230/460 VAC 3-Phase Motor, Simplex, 3/16 in Plunger, FFKM Seals
A26726	Wolverine Advanced, 230/460 VAC 3-Phase Motor, Simplex, 5/8 in Plunger, FFKM Seals
A26727	Wolverine Advanced, 230/460 VAC 3-Phase Motor, Simplex, 3/4 in Plunger, FFKM Seals

### Ordering Information

Part Number	Description
A26728	Wolverine Advanced, 230/460 VAC 3-Phase Motor, Duplex, 1/2 in Plunger, FKM Seals
A26729	Wolverine Advanced, 230/460 VAC 3-Phase Motor, Duplex, 3/8 in Plunger, FKM Seals
A26730	Wolverine Advanced, 230/460 VAC 3-Phase Motor, Duplex, 1/4 in Plunger, FKM Seals
A26732	Wolverine Advanced, 230/460 VAC 3-Phase Motor, Duplex, 3/16 in Plunger, FKM Seals
A26733	Wolverine Advanced, 230/460 VAC 3-Phase Motor, Duplex, 5/8 in Plunger, FKM Seals
A26734	Wolverine Advanced, 230/460 VAC 3-Phase Motor, Duplex, 3/4 in Plunger, FKM Seals
A26735	Wolverine Advanced, 230/460 VAC 3-Phase Motor, Duplex, 1/2 in Plunger, FKM-ETP Seals
A26736	Wolverine Advanced, 230/460 VAC 3-Phase Motor, Duplex, 3/8 in Plunger, FKM-ETP Seals
A26737	Wolverine Advanced, 230/460 VAC 3-Phase Motor, Duplex, 1/4 in Plunger, FKM-ETP Seals
A26739	Wolverine Advanced, 230/460 VAC 3-Phase Motor, Duplex, 3/16 in Plunger, FKM-ETP Seals
A26740	Wolverine Advanced, 230/460 VAC 3-Phase Motor, Duplex, 5/8 in Plunger, FKM-ETP Seals
A26741	Wolverine Advanced, 230/460 VAC 3-Phase Motor, Duplex, 3/4 in Plunger, FKM-ETP Seals
A26742	Wolverine Advanced, 230/460 VAC 3-Phase Motor, Duplex, 1/2 in Plunger, HNBR Seals
A26743	Wolverine Advanced, 230/460 VAC 3-Phase Motor, Duplex, 3/8 in Plunger, HNBR Seals
A26744	Wolverine Advanced, 230/460 VAC 3-Phase Motor, Duplex, 1/4 in Plunger, HNBR Seals
A26746	Wolverine Advanced, 230/460 VAC 3-Phase Motor, Duplex, 3/16 in Plunger, HNBR Seals
A26747	Wolverine Advanced, 230/460 VAC 3-Phase Motor, Duplex, 5/8 in Plunger, HNBR Seals
A26748	Wolverine Advanced, 230/460 VAC 3-Phase Motor, Duplex, 3/4 in Plunger, HNBR Seals
A26749	Wolverine Advanced, 230/460 VAC 3-Phase Motor, Duplex, 1/2 in Plunger, FFKM Seals
A26750	Wolverine Advanced, 230/460 VAC 3-Phase Motor, Duplex, 3/8 in Plunger, FFKM Seals
A26751	Wolverine Advanced, 230/460 VAC 3-Phase Motor, Duplex, 1/4 in Plunger, FFKM Seals
A26753	Wolverine Advanced, 230/460 VAC 3-Phase Motor, Duplex, 3/16 in Plunger, FFKM Seals
A26754	Wolverine Advanced, 230/460 VAC 3-Phase Motor, Duplex, 5/8 in Plunger, FFKM Seals
A26755	Wolverine Advanced, 230/460 VAC 3-Phase Motor, Duplex, 3/4 in Plunger, FFKM Seals

\* All VAC motors have a 1/5 hp power rating

# Wolverine® AC Series Pumps

## 230/460 VAC 3-Phase Wolverine® Advanced (continued)

**Ordering Information**

Part Number	Description
A29700	Wolverine Advanced, 230/460 VAC 3P Motor, Simplex, 1/2 in Plunger, FKM Seals, Cycle Counter
A29701	Wolverine Advanced, 230/460 VAC 3P Motor, Simplex, 3/8 in Plunger, FKM Seals, Cycle Counter
A29702	Wolverine Advanced, 230/460 VAC 3P Motor, Simplex, 1/4 in Plunger, FKM Seals, Cycle Counter
A29704	Wolverine Advanced, 230/460 VAC 3P Motor, Simplex, 3/16 in Plunger, FKM Seals, Cycle Counter
A29705	Wolverine Advanced, 230/460 VAC 3P Motor, Simplex, 5/8 in Plunger, FKM Seals, Cycle Counter
A29706	Wolverine Advanced, 230/460 VAC 3P Motor, Simplex, 3/4 in Plunger, FKM Seals, Cycle Counter
A29707	Wolverine Advanced, 230/460 VAC 3P Motor, Simplex, 1/2 in Plunger, FKM-ETP Seals, Cycle Counter
A29708	Wolverine Advanced, 230/460 VAC 3P Motor, Simplex, 3/8 in Plunger, FKM-ETP Seals, Cycle Counter
A29709	Wolverine Advanced, 230/460 VAC 3P Motor, Simplex, 1/4 in Plunger, FKM-ETP Seals, Cycle Counter
A29711	Wolverine Advanced, 230/460 VAC 3P Motor, Simplex, 3/16 in Plunger, FKM-ETP Seals, Cycle Counter
A29712	Wolverine Advanced, 230/460 VAC 3P Motor, Simplex, 5/8 in Plunger, FKM-ETP Seals, Cycle Counter
A29713	Wolverine Advanced, 230/460 VAC 3P Motor, Simplex, 3/4 in Plunger, FKM-ETP Seals, Cycle Counter
A29714	Wolverine Advanced, 230/460 VAC 3P Motor, Simplex, 1/2 in Plunger, HNBR Seals, Cycle Counter
A29715	Wolverine Advanced, 230/460 VAC 3P Motor, Simplex, 3/8 in Plunger, HNBR Seals, Cycle Counter
A29716	Wolverine Advanced, 230/460 VAC 3P Motor, Simplex, 1/4 in Plunger, HNBR Seals, Cycle Counter
A29718	Wolverine Advanced, 230/460 VAC 3P Motor, Simplex, 3/16 in Plunger, HNBR Seals, Cycle Counter
A29719	Wolverine Advanced, 230/460 VAC 3P Motor, Simplex, 5/8 in Plunger, HNBR Seals, Cycle Counter
A29720	Wolverine Advanced, 230/460 VAC 3P Motor, Simplex, 3/4 in Plunger, HNBR Seals, Cycle Counter
A29721	Wolverine Advanced, 230/460 VAC 3P Motor, Simplex, 1/2 in Plunger, FFKM Seals, Cycle Counter
A29722	Wolverine Advanced, 230/460 VAC 3P Motor, Simplex, 3/8 in Plunger, FFKM Seals, Cycle Counter
A29723	Wolverine Advanced, 230/460 VAC 3P Motor, Simplex, 1/4 in Plunger, FFKM Seals, Cycle Counter
A29725	Wolverine Advanced, 230/460 VAC 3P Motor, Simplex, 3/16 in Plunger, FFKM Seals, Cycle Counter
A29726	Wolverine Advanced, 230/460 VAC 3P Motor, Simplex, 5/8 in Plunger, FFKM Seals, Cycle Counter
A29727	Wolverine Advanced, 230/460 VAC 3P Motor, Simplex, 3/4 in Plunger, FFKM Seals, Cycle Counter

\* All VAC motors have a 1/5 hp power rating

**Ordering Information**

Part Number	Description
A29728	Wolverine Advanced, 230/460 VAC 3P Motor, Duplex, 1/2 in Plunger, FKM Seals, Cycle Counter
A29729	Wolverine Advanced, 230/460 VAC 3P Motor, Duplex, 3/8 in Plunger, FKM Seals, Cycle Counter
A29730	Wolverine Advanced, 230/460 VAC 3P Motor, Duplex, 1/4 in Plunger, FKM Seals, Cycle Counter
A29732	Wolverine Advanced, 230/460 VAC 3P Motor, Duplex, 3/16 in Plunger, FKM Seals, Cycle Counter
A29733	Wolverine Advanced, 230/460 VAC 3P Motor, Duplex, 5/8 in Plunger, FKM Seals, Cycle Counter
A29734	Wolverine Advanced, 230/460 VAC 3P Motor, Duplex, 3/4 in Plunger, FKM Seals, Cycle Counter
A29735	Wolverine Advanced, 230/460 VAC 3P Motor, Duplex, 1/2 in Plunger, FKM-ETP Seals, Cycle Counter
A29736	Wolverine Advanced, 230/460 VAC 3P Motor, Duplex, 3/8 in Plunger, FKM-ETP Seals, Cycle Counter
A29737	Wolverine Advanced, 230/460 VAC 3P Motor, Duplex, 1/4 in Plunger, FKM-ETP Seals, Cycle Counter
A29739	Wolverine Advanced, 230/460 VAC 3P Motor, Duplex, 3/16 in Plunger, FKM-ETP Seals, Cycle Counter
A29740	Wolverine Advanced, 230/460 VAC 3P Motor, Duplex, 5/8 in Plunger, FKM-ETP Seals, Cycle Counter
A29741	Wolverine Advanced, 230/460 VAC 3P Motor, Duplex, 3/4 in Plunger, FKM-ETP Seals, Cycle Counter
A29742	Wolverine Advanced, 230/460 VAC 3P Motor, Duplex, 1/2 in Plunger, HNBR Seals, Cycle Counter
A29743	Wolverine Advanced, 230/460 VAC 3P Motor, Duplex, 3/8 in Plunger, HNBR Seals, Cycle Counter
A29744	Wolverine Advanced, 230/460 VAC 3P Motor, Duplex, 1/4 in Plunger, HNBR Seals, Cycle Counter
A29746	Wolverine Advanced, 230/460 VAC 3P Motor, Duplex, 3/16 in Plunger, HNBR Seals, Cycle Counter
A29747	Wolverine Advanced, 230/460 VAC 3P Motor, Duplex, 5/8 in Plunger, HNBR Seals, Cycle Counter
A29748	Wolverine Advanced, 230/460 VAC 3P Motor, Duplex, 3/4 in Plunger, HNBR Seals, Cycle Counter
A29749	Wolverine Advanced, 230/460 VAC 3P Motor, Duplex, 1/2 in Plunger, FFKM Seals, Cycle Counter
A29750	Wolverine Advanced, 230/460 VAC 3P Motor, Duplex, 3/8 in Plunger, FFKM Seals, Cycle Counter
A29751	Wolverine Advanced, 230/460 VAC 3P Motor, Duplex, 1/4 in Plunger, FFKM Seals, Cycle Counter
A29753	Wolverine Advanced, 230/460 VAC 3P Motor, Duplex, 3/16 in Plunger, FFKM Seals, Cycle Counter
A29754	Wolverine Advanced, 230/460 VAC 3P Motor, Duplex, 5/8 in Plunger, FFKM Seals, Cycle Counter
A29755	Wolverine Advanced, 230/460 VAC 3P Motor, Duplex, 3/4 in Plunger, FFKM Seals, Cycle Counter

\* All VAC motors have a 1/5 hp power rating

# Wolverine® Variable Speed Pumps

## Features and Benefits

### Pump

The variable speed Wolverine pump provides continuous injection for an even dispersion of chemicals. Flow rates are adjusted between 0-100% by a control dial on the motor eliminating the need for a localized controllers. The fluid heads are interchangeable between all Wolverine series pumps.

### Modules

The variable speed pumps are also offered as fluid and drive modules. Part numbers can be found in the Drive Module and Fluid Module sections starting on page 60.

### Motor

High efficiency 12 or 24VDC brushless motors use less amperage draw than transitional brushed VDC motos. This helps eliminate the need for extra batteries and solar panels in solar powered chemical injection systems. The DC motors are rated for use in Hazardous (Classified) Locations. The AC motors are rated for ordinary location.\*

### Accurate Control

Precision stroke adjustment between 1/4 in to 1 in (6.4 mm to 25.4 mm) ensures accurate injection rates.

### Chemical Compatibility

HNBR, FKM, FKM-ETP, FFKM, and TFE/P plunger packings and check valve seals can handle some of the most aggressive chemicals.

### Standards

The DC operated motors are rated for use in Division 2 Hazardous (Classified) Locations per the following standards.



Class I, Group A & B,  
Class II, Group C & D



Class I, Group A & B,  
Class II, Group C & D

### Configurations

#### Fluid Plunger Sizes

- 3/16 in (4.76 mm)
- 1/4 in (6.35 mm)
- 3/8 in (9.5 mm)
- 1/2 in (12.7 mm)
- 5/8 in (15.9 mm)
- 3/4 in (19.1 mm)

#### Input Power Types

- 12 VDC
- 24 VDC
- 115 VAC

#### Electric Motor Sizes

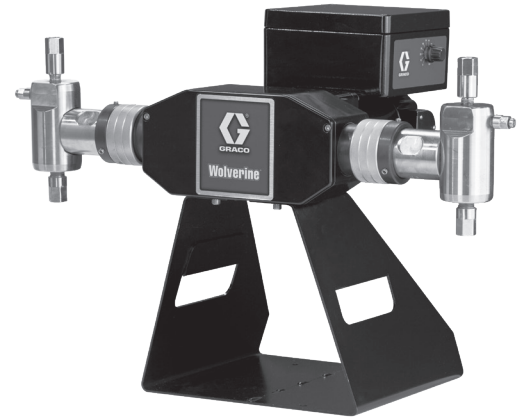
- 1/5 hp (VDC)
- 1/5 hp (VAC)

#### Drivetrain

- Simplex
- Duplex

#### Motor Frequency

- Variable



Wolverine Variable Speed  
Duplex for DC power  
C1D2 rated for Hazardous Location\*

Plunger (in)	1/4 hp and Variable Speed Motor Pressure (psi)
3/16*	10,000
1/4	6,000
3/8	2,500
1/2	1,250
5/8*	900
3/4*	600

\* For a classified AC pump please use one of the C1D2 power inverters offered below in the Accessories section on page 38.



# Wolverine® Variable Speed DC and AC Series Pumps

## Quick Reference Chart

Wolverine Variable Speed, 12 VDC, 1/5 hp, Simplex, C1D2			
Seals / Plunger Size	1/4 in	3/8 in	1/2 in
FKM	A28102	A28101	A28100
HNBR	A28116	A28115	A28114
FFKM	A28123	A28122	A28121

Wolverine Variable Speed, 12 VDC, 1/5 hp, Duplex, C1D2			
Seals / Plunger Size	1/4 in	3/8 in	1/2 in
FKM	A28130	A28129	A28128
HNBR	A28144	A28143	A28142
FFKM	A28151	A28150	A28149

Wolverine Variable Speed, 24 VDC, 1/5 hp, Simplex, C1D2			
Seals / Plunger Size	1/4 in	3/8 in	1/2 in
FKM	A28302	A28301	A28300
HNBR	A28316	A28315	A28314
FFKM	A28323	A28322	A28321

Wolverine Variable Speed, 24 VDC, 1/5 hp, Duplex, C1D2			
Seals / Plunger Size	1/4 in	3/8 in	1/2 in
FKM	A28330	A28329	A28328
HNBR	A28344	A28343	A28342
FFKM	A28351	A28350	A28349

Wolverine Variable Speed, 115 VAC, 1/5 hp, Simplex*			
Seals / Plunger Size	1/4 in	3/8 in	1/2 in
FKM	A28502	A28501	A28500
HNBR	A28516	A28515	A28514
FFKM	A28523	A28522	A28521

Wolverine Variable Speed, 115 VAC, 1/5 hp, Duplex*			
Seals / Plunger Size	1/4 in	3/8 in	1/2 in
FKM	A28530	A28529	A28528
HNBR	A28544	A28543	A28542
FFKM	A28551	A28550	A28549

\*For a classified AC pump please use one of the C1D2 power inverters offered below in the Accessories section.

### Accessories

Part Number	Description
B32717	12 VDC Power Inverter
B32718	24 VDC Power Inverter

# Wolverine® Variable Speed Drive and Fluid Modules

## Quick Reference Chart

### Wolverine Series Fluid Modules, Chromex Plunger Coating

Seals / Plunger Size	3/16 in	1/4 in	3/8 in	1/2 in	5/8 in	3/4 in
FKM	A30300	A30400	A30500	A30600	A30700	A30800
FKM-ETP	A30301	A30401	A30501	A30601	A30701	A30801
HNBR	A30302	A30402	A30502	A30602	A30702	A30802
FFKM	A30303	A30403	A30503	A30603	A30703	A30803
TFE/P	A30304	A30404	A30504	A30604	A30704	A30804

### Wolverine Series Fluid Modules, Ceramic Plunger Coating

Seals / Plunger Size	3/16 in	1/4 in	3/8 in	1/2 in	5/8 in	3/4 in
FKM	A30310	A30410	A30510	A30610	A30710	A30810
FKM-ETP	A30311	A30411	A30511	A30611	A30711	A30811
HNBR	A30312	A30412	A30512	A30612	A30712	A30812
FFKM	A30313	A30413	A30513	A30613	A30713	A30813
TFE/P	A30314	A30414	A30514	A30614	A30714	A30814

### Wolverine Severe Duty Fluid Modules, Ceramic Plunger Coating

Seals / Plunger Size	3/16 in	1/4 in	3/8 in	1/2 in	5/8 in	3/4 in
FFKM	A30313T12	A30413T12	A30513T12	A30613T12	A30713T12	A30813T12

### Wolverine Variable Speed Drive Modules

	Simplex (50)	Simplex (70)	Duplex (55)	Duplex (77)	Duplex (57)	Duplex (75)
12 VDC	A30200	A30203	A30201	A30204	A30202	A30205
24 VDC	A30210	A30213	A30211	A30214	A30212	A30215
115 VAC	A30260	A30263	A30261	A30264	A30262	A30265

# Wolverine® Hazardous Location DC and AC Series Pumps

## Features and Benefits

### Operating Environment

The Wolverine Hazardous Location pumps are designed to operate in applications requiring Class 1, Division 1, rated products. They have 316 SST wetted parts, plus they're resistant against water and dust.

### Pump Capabilities

Flow rates up to 320 gpd (1,211 lpd) and a pressure rating up to 10,000 psi (686 bar).

### Save Time

Easily replace pump seals in less than 10 minutes, on location.

### Accurate Control

Precision stroke adjustment between 1/2 in to 1 in (12.7 mm to 25.4 mm) ensures accurate injection rates.

### Chemical Compatibility

HNBR, FKM, FKM-ETP, FFKM, and TFE/P plunger packings and check valve seals can handle some of the most aggressive chemicals.

### Standards

The AC and DC operated motors are rated for use in Division 1 Hazardous (Classified) Locations per the following standards.



Class I, Group C & D,  
Class II, Group F & G



Class I, Group C & D,  
Class II, Group F & G

### Configurations

#### Fluid Plunger Sizes

- 3/16 in (4.76 mm)
- 1/4 in (6.35 mm)
- 3/8 in (9.5 mm)
- 1/2 in (12.7 mm)
- 5/8 in (15.9 mm)
- 3/4 in (19.1 mm)

#### Input Power Types

- 12 VDC
- 24 VDC
- 115/230 VAC Single Phase
- 230/460 VAC 3-Phase

#### Electric Motor Sizes

- 1/5 hp (VDC)
- 1/4 hp (VAC)

#### Drivetrain

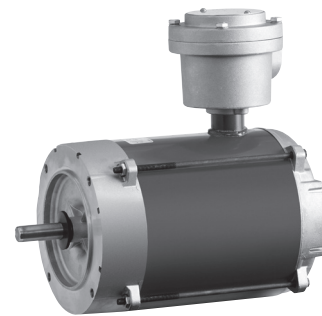
- Simplex
- Duplex



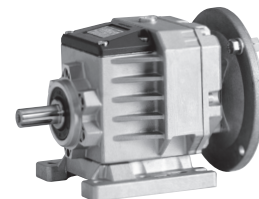
Wolverine Hazardous Location Simplex



Wolverine Hazardous Location Duplex



AC Motor



Gear Box



# Wolverine® Hazardous Location Pumps

## DC and AC Motors

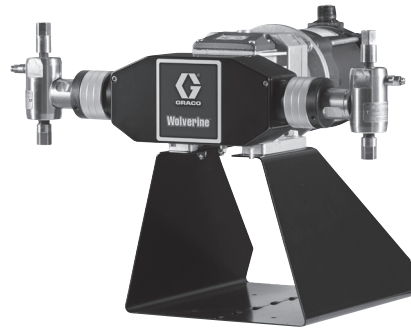
### Wolverine Hazardous Location Pumps\*

Plunger (in)	Max Pressure (psi)	Max Flow, Simplex (gal/day)	Max Flow, Duplex (gal/day)
3/16	10,000	10	21
1/4	6,000	18	37
3/8	2,500	33	66
1/2	1,250	62	125
5/8	900	103	207
3/4	600	149	297

\* For 12 VDC Hazardous Location pump flows are limited to half of the flows shown in this table. Please reference the Wolverine installation manual for pump performance curves.



Wolverine Hazardous Location Duplex  
for DC solar power



Wolverine Hazardous Location Simplex  
for AC power

# Wolverine® Hazardous Location DC Series Pumps

## Quick Reference Chart

### Wolverine Hazardous Location, 12 VDC, 1/5 hp, Simplex

Seals / Plunger Size	3/16 in	1/4 in	3/8 in	1/2 in	5/8 in	3/4 in
FKM	A27204	A27202	A27201	A27200	A27205	A27206
FKM-ETP	A27211	A27209	A27208	A27207	A27212	A27213
HNBR	A27218	A27216	A27215	A27214	A27219	A27220
FFKM	A27225	A27223	A27222	A27221	A27226	A27227

### Wolverine Hazardous Location, 12 VDC, 1/5 hp, Duplex

Seals / Plunger Size	3/16 in	1/4 in	3/8 in	1/2 in	5/8 in	3/4 in
FKM	A27232	A27230	A27229	A27228	A27233	A27234
FKM-ETP	A27239	A27237	A27236	A27235	A27240	A27241
HNBR	A27246	A27244	A27243	A27242	A27247	A27248
FFKM	A27253	A27251	A27250	A27249	A27254	A27255

### Wolverine Hazardous Location, 24 VDC, 1/5 hp, Simplex

Seals / Plunger Size	3/16 in	1/4 in	3/8 in	1/2 in	5/8 in	3/4 in
FKM	A27304	A27302	A27301	A27300	A27305	A27306
FKM-ETP	A27311	A27309	A27308	A27307	A27312	A27313
HNBR	A27318	A27316	A27315	A27314	A27319	A27320
FFKM	A27325	A27323	A27322	A27321	A27326	A27327

### Wolverine Hazardous Location, 24 VDC, 1/5 hp, Duplex

Seals / Plunger Size	3/16 in	1/4 in	3/8 in	1/2 in	5/8 in	3/4 in
FKM	A27332	A27330	A27329	A27328	A27333	A27334
FKM-ETP	A27339	A27337	A27336	A27335	A27340	A27341
HNBR	A27346	A27344	A27343	A27342	A27347	A27348
FFKM	A27353	A27351	A27350	A27349	A27354	A27355

### Wolverine Hazardous Location, 115/230 VAC, Simplex

Seals / Plunger Size	3/16 in	1/4 in	3/8 in	1/2 in	5/8 in	3/4 in
FKM	A27504	A27502	A27501	A27500	A27505	A27506
FKM-ETP	A27511	A27509	A27508	A27507	A27512	A27513
HNBR	A27518	A27516	A27515	A27514	A27519	A27520
FFKM	A27525	A27523	A27522	A27521	A27526	A27527

### Wolverine Hazardous Location, 115/230 VAC, Duplex

Seals / Plunger Size	3/16 in	1/4 in	3/8 in	1/2 in	5/8 in	3/4 in
FKM	A27532	A27530	A27529	A27528	A27533	A27534
FKM-ETP	A27539	A27537	A27536	A27535	A27540	A27541
HNBR	A27546	A27544	A27543	A27542	A27547	A27548
FFKM	A27553	A27551	A27550	A27549	A27554	A27555

# Wolverine® Hazardous Location AC Series Pumps

## Quick Reference Chart

### Wolverine Hazardous Location 230/460 VAC 3-phase, Simplex

Seals / Plunger Size	3/16 in	1/4 in	3/8 in	1/2 in	5/8 in	3/4 in
FKM	A27704	A27702	A27701	A27700	A27705	A27706
FKM-ETP	A27711	A27709	A27708	A27707	A27712	A27713
HNBR	A27718	A27716	A27715	A27714	A27719	A27720
FFKM	A27725	A27723	A27722	A27721	A27726	A27727

### Wolverine Hazardous Location 230/460 VAC 3-phase, Duplex

Seals / Plunger Size	3/16 in	1/4 in	3/8 in	1/2 in	5/8 in	3/4 in
FKM	A27732	A27730	A27729	A27728	A27733	A27734
FKM-ETP	A27739	A27737	A27736	A27735	A27740	A27741
HNBR	A27746	A27744	A27743	A27742	A27747	A27748
FFKM	A27753	A27751	A27750	A27749	A27754	A27755

### Wolverine Drive Modules, Hazardous Location Motor

	Simplex (50)	Simplex (70)	Duplex (55)	Duplex (77)	Duplex (57)	Duplex (75)
12 VDC	A30100	A30103	A30101	A30105	A30102	A30104
24 VDC	A30120	A30123	A30121	A30125	A30122	A30124
115/230 (VAC Single Phase)	A30140	A30143	A30141	A30145	A30142	A30144
230/480 (VAC 3-Phase)	A30160	A30163	A30161	A30165	A30162	A30164

### Wolverine Series Fluid Modules, Chromex Plunger Coating

Seals / Plunger Size	3/16 in	1/4 in	3/8 in	1/2 in	5/8 in	3/4 in
FKM	A30300	A30400	A30500	A30600	A30700	A30800
FKM-ETP	A30301	A30401	A30501	A30601	A30701	A30801
HNBR	A30302	A30402	A30502	A30602	A30702	A30802
FFKM	A30303	A30403	A30503	A30603	A30703	A30803
TFE/P	A30304	A30404	A30504	A30604	A30704	A30804

### Wolverine Series Fluid Modules, Ceramic Plunger Coating

Seals / Plunger Size	3/16 in	1/4 in	3/8 in	1/2 in	5/8 in	3/4 in
FKM	A30310	A30410	A30510	A30610	A30710	A30810
FKM-ETP	A30311	A30411	A30511	A30611	A30711	A30811
HNBR	A30312	A30412	A30512	A30612	A30712	A30812
FFKM	A30313	A30413	A30513	A30613	A30713	A30813
TFE/P	A30314	A30414	A30514	A30614	A30714	A30814

# Wolverine® Hazardous Location DC Series Pumps

## 12 VDC Wolverine®

### Ordering Information

Part Number	Description
A27200	Wolverine Hazardous Location, 12 VDC, Simplex, 1/2 in Plunger, FKM Seals
A27201	Wolverine Hazardous Location, 12 VDC, Simplex, 3/8 in Plunger, FKM Seals
A27202	Wolverine Hazardous Location, 12 VDC, Simplex, 1/4 in Plunger, FKM Seals
A27204	Wolverine Hazardous Location, 12 VDC, Simplex, 3/16 in Plunger, FKM Seals
A27205	Wolverine Hazardous Location, 12 VDC, Simplex, 5/8 in Plunger, FKM Seals
A27206	Wolverine Hazardous Location, 12 VDC, Simplex, 3/4 in Plunger, FKM Seals
A27207	Wolverine Hazardous Location, 12 VDC, Simplex, 1/2 in Plunger, FKM-ETP Seals
A27208	Wolverine Hazardous Location, 12 VDC, Simplex, 3/8 in Plunger, FKM-ETP Seals
A27209	Wolverine Hazardous Location, 12 VDC, Simplex, 1/4 in Plunger, FKM-ETP Seals
A27211	Wolverine Hazardous Location, 12 VDC, Simplex, 3/16 in Plunger, FKM-ETP Seals
A27212	Wolverine Hazardous Location, 12 VDC, Simplex, 5/8 in Plunger, FKM-ETP Seals
A27213	Wolverine Hazardous Location, 12 VDC, Simplex, 3/4 in Plunger, FKM-ETP Seals
A27214	Wolverine Hazardous Location, 12 VDC, Simplex, 1/2 in Plunger, HNBR Seals
A27215	Wolverine Hazardous Location, 12 VDC, Simplex, 3/8 in Plunger, HNBR Seals
A27216	Wolverine Hazardous Location, 12 VDC, Simplex, 1/4 in Plunger, HNBR Seals
A27218	Wolverine Hazardous Location, 12 VDC, Simplex, 3/16 in Plunger, HNBR Seals
A27219	Wolverine Hazardous Location, 12 VDC, Simplex, 5/8 in Plunger, HNBR Seals
A27220	Wolverine Hazardous Location, 12 VDC, Simplex, 3/4 in Plunger, HNBR Seals
A27221	Wolverine Hazardous Location, 12 VDC, Simplex, 1/2 in Plunger, FFKM Seals
A27222	Wolverine Hazardous Location, 12 VDC, Simplex, 3/8 in Plunger, FFKM Seals
A27223	Wolverine Hazardous Location, 12 VDC, Simplex, 1/4 in Plunger, FFKM Seals
A27225	Wolverine Hazardous Location, 12 VDC, Simplex, 3/16 in Plunger, FFKM Seals
A27226	Wolverine Hazardous Location, 12 VDC, Simplex, 5/8 in Plunger, FFKM Seals
A27227	Wolverine Hazardous Location, 12 VDC, Simplex, 3/4 in Plunger, FFKM Seals

### Ordering Information

Part Number	Description
A27228	Wolverine Hazardous Location, 12 VDC, Duplex, 1/2 in Plunger, FKM Seals
A27229	Wolverine Hazardous Location, 12 VDC, Duplex, 3/8 in Plunger, FKM Seals
A27230	Wolverine Hazardous Location, 12 VDC, Duplex, 1/4 in Plunger, FKM Seals
A27232	Wolverine Hazardous Location, 12 VDC, Duplex, 3/16 in Plunger, FKM Seals
A27233	Wolverine Hazardous Location, 12 VDC, Duplex, 5/8 in Plunger, FKM Seals
A27234	Wolverine Hazardous Location, 12 VDC, Duplex, 3/4 in Plunger, FKM Seals
A27235	Wolverine Hazardous Location, 12 VDC, Duplex, 1/2 in Plunger, FKM-ETP Seals
A27236	Wolverine Hazardous Location, 12 VDC, Duplex, 3/8 in Plunger, FKM-ETP Seals
A27237	Wolverine Hazardous Location, 12 VDC, Duplex, 1/4 in Plunger, FKM-ETP Seals
A27239	Wolverine Hazardous Location, 12 VDC, Duplex, 3/16 in Plunger, FKM-ETP Seals
A27240	Wolverine Hazardous Location, 12 VDC, Duplex, 5/8 in Plunger, FKM-ETP Seals
A27241	Wolverine Hazardous Location, 12 VDC, Duplex, 3/4 in Plunger, FKM-ETP Seals
A27242	Wolverine Hazardous Location, 12 VDC, Duplex, 1/2 in Plunger, HNBR Seals
A27244	Wolverine Hazardous Location, 12 VDC, Duplex, 1/4 in Plunger, HNBR Seals
A27246	Wolverine Hazardous Location, 12 VDC, Duplex, 3/16 in Plunger, HNBR Seals
A27247	Wolverine Hazardous Location, 12 VDC, Duplex, 5/8 in Plunger, HNBR Seals
A27248	Wolverine Hazardous Location, 12 VDC, Duplex, 3/4 in Plunger, HNBR Seals
A27249	Wolverine Hazardous Location, 12 VDC, Duplex, 1/2 in Plunger, FFKM Seals
A27250	Wolverine Hazardous Location, 12 VDC, Duplex, 3/8 in Plunger, FFKM Seals
A27251	Wolverine Hazardous Location, 12 VDC, Duplex, 1/4 in Plunger, FFKM Seals
A27253	Wolverine Hazardous Location, 12 VDC, Duplex, 3/16 in Plunger, FFKM Seals
A27254	Wolverine Hazardous Location, 12 VDC, Duplex, 5/8 in Plunger, FFKM Seals
A27255	Wolverine Hazardous Location, 12 VDC, Duplex, 3/4 in Plunger, FFKM Seals

# Wolverine® Hazardous Location DC Series Pumps

## 24 VDC Wolverine®

### Ordering Information

Part Number	Description
A27300	Wolverine Hazardous Location, 24 VDC, Simplex, 1/2 in Plunger, FKM Seals
A27301	Wolverine Hazardous Location, 24 VDC, Simplex, 3/8 in Plunger, FKM Seals
A27302	Wolverine Hazardous Location, 24 VDC, Simplex, 1/4 in Plunger, FKM Seals
A27304	Wolverine Hazardous Location, 24 VDC, Simplex, 3/16 in Plunger, FKM Seals
A27305	Wolverine Hazardous Location, 24 VDC, Simplex, 5/8 in Plunger, FKM Seals
A27306	Wolverine Hazardous Location, 24 VDC, Simplex, 3/4 in Plunger, FKM Seals
A27307	Wolverine Hazardous Location, 24 VDC, Simplex, 1/2 in Plunger, FKM-ETP Seals
A27308	Wolverine Hazardous Location, 24 VDC, Simplex, 3/8 in Plunger, FKM-ETP Seals
A27309	Wolverine Hazardous Location, 24 VDC, Simplex, 1/4 in Plunger, FKM-ETP Seals
A27311	Wolverine Hazardous Location, 24 VDC, Simplex, 3/16 in Plunger, FKM-ETP Seals
A27312	Wolverine Hazardous Location, 24 VDC, Simplex, 5/8 in Plunger, FKM-ETP Seals
A27313	Wolverine Hazardous Location, 24 VDC, Simplex, 3/4 in Plunger, FKM-ETP Seals
A27314	Wolverine Hazardous Location, 24 VDC, Simplex, 1/2 in Plunger, HNBR Seals
A27315	Wolverine Hazardous Location, 24 VDC, Simplex, 3/8 in Plunger, HNBR Seals
A27316	Wolverine Hazardous Location, 24 VDC, Simplex, 1/4 in Plunger, HNBR Seals
A27318	Wolverine Hazardous Location, 24 VDC, Simplex, 3/16 in Plunger, HNBR Seals
A27319	Wolverine Hazardous Location, 24 VDC, Simplex, 5/8 in Plunger, HNBR Seals
A27320	Wolverine Hazardous Location, 24 VDC, Simplex, 3/4 in Plunger, HNBR Seals
A27321	Wolverine Hazardous Location, 24 VDC, Simplex, 1/2 in Plunger, FFKM Seals
A27322	Wolverine Hazardous Location, 24 VDC, Simplex, 3/8 in Plunger, FFKM Seals
A27323	Wolverine Hazardous Location, 24 VDC, Simplex, 1/4 in Plunger, FFKM Seals
A27325	Wolverine Hazardous Location, 24 VDC, Simplex, 3/16 in Plunger, FFKM Seals
A27326	Wolverine Hazardous Location, 24 VDC, Simplex, 5/8 in Plunger, FFKM Seals
A27327	Wolverine Hazardous Location, 24 VDC, Simplex, 3/4 in Plunger, FFKM Seals

### Ordering Information

Part Number	Description
A27328	Wolverine Hazardous Location, 24 VDC, Duplex, 1/2 in Plunger, FKM Seals
A27329	Wolverine Hazardous Location, 24 VDC, Duplex, 3/8 in Plunger, FKM Seals
A27330	Wolverine Hazardous Location, 24 VDC, Duplex, 1/4 in Plunger, FKM Seals
A27332	Wolverine Hazardous Location, 24 VDC, Duplex, 3/16 in Plunger, FKM Seals
A27333	Wolverine Hazardous Location, 24 VDC, Duplex, 5/8 in Plunger, FKM Seals
A27334	Wolverine Hazardous Location, 24 VDC, Duplex, 3/4 in Plunger, FKM Seals
A27335	Wolverine Hazardous Location, 24 VDC, Duplex, 1/2 in Plunger, FKM-ETP Seals
A27336	Wolverine Hazardous Location, 24 VDC, Duplex, 3/8 in Plunger, FKM-ETP Seals
A27337	Wolverine Hazardous Location, 24 VDC, Duplex, 1/4 in Plunger, FKM-ETP Seals
A27339	Wolverine Hazardous Location, 24 VDC, Duplex, 3/16 in Plunger, FKM-ETP Seals
A27340	Wolverine Hazardous Location, 24 VDC, Duplex, 5/8 in Plunger, FKM-ETP Seals
A27341	Wolverine Hazardous Location, 24 VDC, Duplex, 3/4 in Plunger, FKM-ETP Seals
A27342	Wolverine Hazardous Location, 24 VDC, Duplex, 1/2 in Plunger, HNBR Seals
A27344	Wolverine Hazardous Location, 24 VDC, Duplex, 1/4 in Plunger, HNBR Seals
A27346	Wolverine Hazardous Location, 24 VDC, Duplex, 3/16 in Plunger, HNBR Seals
A27347	Wolverine Hazardous Location, 24 VDC, Duplex, 5/8 in Plunger, HNBR Seals
A27348	Wolverine Hazardous Location, 24 VDC, Duplex, 3/4 in Plunger, HNBR Seals
A27349	Wolverine Hazardous Location, 24 VDC, Duplex, 1/2 in Plunger, FFKM Seals
A27350	Wolverine Hazardous Location, 24 VDC, Duplex, 3/8 in Plunger, FFKM Seals
A27351	Wolverine Hazardous Location, 24 VDC, Duplex, 1/4 in Plunger, FFKM Seals
A27353	Wolverine Hazardous Location, 24 VDC, Duplex, 3/16 in Plunger, FFKM Seals
A27354	Wolverine Hazardous Location, 24 VDC, Duplex, 5/8 in Plunger, FFKM Seals
A27355	Wolverine Hazardous Location, 24 VDC, Duplex, 3/4 in Plunger, FFKM Seals

# Wolverine® Hazardous Location AC Series Pumps

## 115/230 VAC Wolverine®

### Ordering Information

Part Number	Description
A27500	Wolverine Hazardous Location, 115/230 VAC Motor, Simplex, 1/2 in Plunger, FKM Seals
A27501	Wolverine Hazardous Location, 115/230 VAC Motor, Simplex, 3/8 in Plunger, FKM Seals
A27502	Wolverine Hazardous Location, 115/230 VAC Motor, Simplex, 1/4 in Plunger, FKM Seals
A27504	Wolverine Hazardous Location, 115/230 VAC Motor, Simplex, 3/16 in Plunger, FKM Seals
A27505	Wolverine Hazardous Location, 115/230 VAC Motor, Simplex, 5/8 in Plunger, FKM Seals
A27506	Wolverine Hazardous Location, 115/230 VAC Motor, Simplex, 3/4 in Plunger, FKM Seals
A27507	Wolverine Hazardous Location, 115/230 VAC Motor, Simplex, 1/2 in Plunger, FKM-ETP Seals
A27508	Wolverine Hazardous Location, 115/230 VAC Motor, Simplex, 3/8 in Plunger, FKM-ETP Seals
A27509	Wolverine Hazardous Location, 115/230 VAC Motor, Simplex, 1/4 in Plunger, FKM-ETP Seals
A27511	Wolverine Hazardous Location, 115/230 VAC Motor, Simplex, 3/16 in Plunger, FKM-ETP Seals
A27512	Wolverine Hazardous Location, 115/230 VAC Motor, Simplex, 5/8 in Plunger, FKM-ETP Seals
A27513	Wolverine Hazardous Location, 115/230 VAC Motor, Simplex, 3/4 in Plunger, FKM-ETP Seals
A27514	Wolverine Hazardous Location, 115/230 VAC Motor, Simplex, 1/2 in Plunger, HNBR Seals
A27515	Wolverine Hazardous Location, 115/230 VAC Motor, Simplex, 3/8 in Plunger, HNBR Seals
A27516	Wolverine Hazardous Location, 115/230 VAC Motor, Simplex, 1/4 in Plunger, HNBR Seals
A27518	Wolverine Hazardous Location, 115/230 VAC Motor, Simplex, 3/16 in Plunger, HNBR Seals
A27519	Wolverine Hazardous Location, 115/230 VAC Motor, Simplex, 5/8 in Plunger, HNBR Seals
A27520	Wolverine Hazardous Location, 115/230 VAC Motor, Simplex, 3/4 in Plunger, HNBR Seals
A27521	Wolverine Hazardous Location, 115/230 VAC Motor, Simplex, 1/2 in Plunger, FFKM Seals
A27522	Wolverine Hazardous Location, 115/230 VAC Motor, Simplex, 3/8 in Plunger, FFKM Seals
A27523	Wolverine Hazardous Location, 115/230 VAC Motor, Simplex, 1/4 in Plunger, FFKM Seals
A27525	Wolverine Hazardous Location, 115/230 VAC Motor, Simplex, 3/16 in Plunger, FFKM Seals
A27526	Wolverine Hazardous Location, 115/230 VAC Motor, Simplex, 5/8 in Plunger, FFKM Seals
A27527	Wolverine Hazardous Location, 115/230 VAC Motor, Simplex, 3/4 in Plunger, FFKM Seals

### Ordering Information

Part Number	Description
A27528	Wolverine Hazardous Location, 115/230 VAC Motor, Duplex, 1/2 in Plunger, FKM Seals
A27529	Wolverine Hazardous Location, 115/230 VAC Motor, Duplex, 3/8 in Plunger, FKM Seals
A27530	Wolverine Hazardous Location, 115/230 VAC Motor, Duplex, 1/4 in Plunger, FKM Seals
A27532	Wolverine Hazardous Location, 115/230 VAC Motor, Duplex, 3/16 in Plunger, FKM Seals
A27533	Wolverine Hazardous Location, 115/230 VAC Motor, Duplex, 5/8 in Plunger, FKM Seals
A27534	Wolverine Hazardous Location, 115/230 VAC Motor, Duplex, 3/4 in Plunger, FKM Seals
A27535	Wolverine Hazardous Location, 115/230 VAC Motor, Duplex, 1/2 in Plunger, FKM-ETP Seals
A27536	Wolverine Hazardous Location, 115/230 VAC Motor, Duplex, 3/8 in Plunger, FKM-ETP Seals
A27537	Wolverine Hazardous Location, 115/230 VAC Motor, Duplex, 1/4 in Plunger, FKM-ETP Seals
A27539	Wolverine Hazardous Location, 115/230 VAC Motor, Duplex, 3/16 in Plunger, FKM-ETP Seals
A27540	Wolverine Hazardous Location, 115/230 VAC Motor, Duplex, 5/8 in Plunger, FKM-ETP Seals
A27541	Wolverine Hazardous Location, 115/230 VAC Motor, Duplex, 3/4 in Plunger, HNBR Seals
A27542	Wolverine Hazardous Location, 115/230 VAC Motor, Duplex, 1/2 in Plunger, FKM-ETP Seals
A27543	Wolverine Hazardous Location, 115/230 VAC Motor, Duplex, 3/8 in Plunger, HNBR Seals
A27544	Wolverine Hazardous Location, 115/230 VAC Motor, Duplex, 1/4 in Plunger, HNBR Seals
A27546	Wolverine Hazardous Location, 115/230 VAC Motor, Duplex, 3/16 in Plunger, HNBR Seals
A27547	Wolverine Hazardous Location, 115/230 VAC Motor, Duplex, 5/8 in Plunger, HNBR Seals
A27548	Wolverine Hazardous Location, 115/230 VAC Motor, Duplex, 3/4 in Plunger, HNBR Seals
A27549	Wolverine Hazardous Location, 115/230 VAC Motor, Duplex, 1/2 in Plunger, FFKM Seals
A27550	Wolverine Hazardous Location, 115/230 VAC Motor, Duplex, 3/8 in Plunger, FFKM Seals
A27551	Wolverine Hazardous Location, 115/230 VAC Motor, Duplex, 1/4 in Plunger, FFKM Seals
A27553	Wolverine Hazardous Location, 115/230 VAC Motor, Duplex, 3/16 in Plunger, FFKM Seals
A27554	Wolverine Hazardous Location, 115/230 VAC Motor, Duplex, 5/8 in Plunger, FFKM Seals
A27555	Wolverine Hazardous Location, 115/230 VAC Motor, Duplex, 3/4 in Plunger, FFKM Seals

# Wolverine® Hazardous Location AC Series Pumps

## 230/460 VAC Wolverine®

### Ordering Information

Part Number	Description
A27700	Wolverine Hazardous Location, 230/460 VAC 3-Phase Motor, Simplex, 1/2 in Plunger, FKM Seals
A27701	Wolverine Hazardous Location, 230/460 VAC 3-Phase Motor, Simplex, 3/8 in Plunger, FKM Seals
A27702	Wolverine Hazardous Location, 230/460 VAC 3-Phase Motor, Simplex, 1/4 in Plunger, FKM Seals
A27704	Wolverine Hazardous Location, 230/460 VAC 3-Phase Motor, Simplex, 3/16 in Plunger, FKM Seals
A27705	Wolverine Hazardous Location, 230/460 VAC 3-Phase Motor, Simplex, 5/8 in Plunger, FKM Seals
A27706	Wolverine Hazardous Location, 230/460 VAC 3-Phase Motor, Simplex, 3/4 in Plunger, FKM Seals
A27707	Wolverine Hazardous Location, 230/460 VAC 3-Phase Motor, Simplex, 1/2 in Plunger, FKM-ETP Seals
A27708	Wolverine Hazardous Location, 230/460 VAC 3-Phase Motor, Simplex, 3/8 in Plunger, FKM-ETP Seals
A27709	Wolverine Hazardous Location, 230/460 VAC 3-Phase Motor, Simplex, 1/4 in Plunger, FKM-ETP Seals
A27711	Wolverine Hazardous Location, 230/460 VAC 3-Phase Motor, Simplex, 3/16 in Plunger, FKM-ETP Seals
A27712	Wolverine Hazardous Location, 230/460 VAC 3-Phase Motor, Simplex, 5/8 in Plunger, FKM-ETP Seals
A27713	Wolverine Hazardous Location, 230/460 VAC 3-Phase Motor, Simplex, 3/4 in Plunger, FKM-ETP Seals
A27714	Wolverine Hazardous Location, 230/460 VAC 3-Phase Motor, Simplex, 1/2 in Plunger, HNBR Seals
A27715	Wolverine Hazardous Location, 230/460 VAC 3-Phase Motor, Simplex, 3/8 in Plunger, HNBR Seals
A27716	Wolverine Hazardous Location, 230/460 VAC 3-Phase Motor, Simplex, 1/4 in Plunger, HNBR Seals
A27718	Wolverine Hazardous Location, 230/460 VAC 3-Phase Motor, Simplex, 3/16 in Plunger, HNBR Seals
A27719	Wolverine Hazardous Location, 230/460 VAC 3-Phase Motor, Simplex, 5/8 in Plunger, HNBR Seals
A27720	Wolverine Hazardous Location, 230/460 VAC 3-Phase Motor, Simplex, 3/4 in Plunger, HNBR Seals
A27721	Wolverine Hazardous Location, 230/460 VAC 3-Phase Motor, Simplex, 1/2 in Plunger, FFKM Seals
A27722	Wolverine Hazardous Location, 230/460 VAC 3-Phase Motor, Simplex, 3/8 in Plunger, FFKM Seals
A27723	Wolverine Hazardous Location, 230/460 VAC 3-Phase Motor, Simplex, 1/4 in Plunger, FFKM Seals
A27725	Wolverine Hazardous Location, 230/460 VAC 3-Phase Motor, Simplex, 3/16 in Plunger, FFKM Seals
A27726	Wolverine Hazardous Location, 230/460 VAC 3-Phase Motor, Simplex, 5/8 in Plunger, FFKM Seals
A27727	Wolverine Hazardous Location, 230/460 VAC 3-Phase Motor, Simplex, 3/4 in Plunger, FFKM Seals

### Ordering Information

Part Number	Description
A27728	Wolverine Hazardous Location, 230/460 VAC 3-Phase Motor, Duplex, 1/2 in Plunger, FKM Seals
A27729	Wolverine Hazardous Location, 230/460 VAC 3-Phase Motor, Duplex, 3/8 in Plunger, FKM Seals
A27730	Wolverine Hazardous Location, 230/460 VAC 3-Phase Motor, Duplex, 1/4 in Plunger, FKM Seals
A27732	Wolverine Hazardous Location, 230/460 VAC 3-Phase Motor, Duplex, 3/16 in Plunger, FKM Seals
A27733	Wolverine Hazardous Location, 230/460 VAC 3-Phase Motor, Duplex, 5/8 in Plunger, FKM Seals
A27734	Wolverine Hazardous Location, 230/460 VAC 3-Phase Motor, Duplex, 3/4 in Plunger, FKM Seals
A27735	Wolverine Hazardous Location, 230/460 VAC 3-Phase Motor, Duplex, 1/2 in Plunger, FKM-ETP Seals
A27736	Wolverine Hazardous Location, 230/460 VAC 3-Phase Motor, Duplex, 3/8 in Plunger, FKM-ETP Seals
A27737	Wolverine Hazardous Location, 230/460 VAC 3-Phase Motor, Duplex, 1/4 in Plunger, FKM-ETP Seals
A27739	Wolverine Hazardous Location, 230/460 VAC 3-Phase Motor, Duplex, 3/16 in Plunger, FKM-ETP Seals
A27740	Wolverine Hazardous Location, 230/460 VAC 3-Phase Motor, Duplex, 5/8 in Plunger, FKM-ETP Seals
A27741	Wolverine Hazardous Location, 230/460 VAC 3-Phase Motor, Duplex, 3/4 in Plunger, FKM-ETP Seals
A27742	Wolverine Hazardous Location, 230/460 VAC 3-Phase Motor, Duplex, 1/2 in Plunger, HNBR Seals
A27743	Wolverine Hazardous Location, 230/460 VAC 3-Phase Motor, Duplex, 3/8 in Plunger, HNBR Seals
A27744	Wolverine Hazardous Location, 230/460 VAC 3-Phase Motor, Duplex, 1/4 in Plunger, HNBR Seals
A27746	Wolverine Hazardous Location, 230/460 VAC 3-Phase Motor, Duplex, 3/16 in Plunger, HNBR Seals
A27747	Wolverine Hazardous Location, 230/460 VAC 3-Phase Motor, Duplex, 5/8 in Plunger, HNBR Seals
A27748	Wolverine Hazardous Location, 230/460 VAC 3-Phase Motor, Duplex, 3/4 in Plunger, HNBR Seals
A27749	Wolverine Hazardous Location, 230/460 VAC 3-Phase Motor, Duplex, 1/2 in Plunger, FFKM Seals
A27750	Wolverine Hazardous Location, 230/460 VAC 3-Phase Motor, Duplex, 3/8 in Plunger, FFKM Seals
A27751	Wolverine Hazardous Location, 230/460 VAC 3-Phase Motor, Duplex, 1/4 in Plunger, FFKM Seals
A27753	Wolverine Hazardous Location, 230/460 VAC 3-Phase Motor, Duplex, 3/16 in Plunger, FFKM Seals
A27754	Wolverine Hazardous Location, 230/460 VAC 3-Phase Motor, Duplex, 5/8 in Plunger, FFKM Seals
A27755	Wolverine Hazardous Location, 230/460 VAC 3-Phase Motor, Duplex, 3/4 in Plunger, FFKM Seals

# Wolverine® and G-Chem™ Drive Modules

## Quick Reference Chart

### Wolverine Advanced, 115 VAC, Simplex

Seals / Plunger Size	3/16 in	1/4 in	3/8 in	1/2 in	5/8 in	3/4 in
FKM	A26504	A26502	A26501	A26500	A26505	A26506
FKM-ETP	A26511	A26509	A26508	A26507	A26512	A26513
HNBR	A26518	A26516	A26515	A26514	A26519	A26520
FFKM	A26525	A26523	A26522	A26521	A26526	A26527

### Wolverine Advanced, 115 VAC, Duplex

Seals / Plunger Size	3/16 in	1/4 in	3/8 in	1/2 in	5/8 in	3/4 in
FKM	A26532	A26530	A26529	A26528	A26533	A26534
FKM-ETP	A26539	A26537	A26536	A26535	A26540	A26541
HNBR	A26546	A26544	A26543	A26542	A26547	A26548
FFKM	A26553	A26551	A26550	A26549	A26554	A26555

### Wolverine Advanced, 230 VAC, Simplex

Seals / Plunger Size	3/16 in	1/4 in	3/8 in	1/2 in	5/8 in	3/4 in
FKM	A26604	A26602	A26601	A26600	A26605	A26606
FKM-ETP	A26611	A26609	A26608	A26607	A26612	A26613
HNBR	A26618	A26616	A26615	A26614	A26619	A26620
FFKM	A26625	A26623	A26622	A26621	A26626	A26627

### Wolverine Advanced, 230 VAC, Duplex

Seals / Plunger Size	3/16 in	1/4 in	3/8 in	1/2 in	5/8 in	3/4 in
FKM	A26632	A26630	A26629	A26628	A26633	A26634
FKM-ETP	A26639	A26637	A26636	A26635	A26640	A26641
HNBR	A26646	A26644	A26643	A26642	A26647	A26648
FFKM	A26653	A26651	A26650	A26649	A26654	A26655

### Wolverine Advanced 230/460 VAC 3-phase, Simplex

Seals / Plunger Size	3/16 in	1/4 in	3/8 in	1/2 in	5/8 in	3/4 in
FKM	A26704	A26702	A26701	A26700	A26705	A26706
FKM-ETP	A26711	A26709	A26708	A26707	A26712	A26713
HNBR	A26718	A26716	A26715	A26714	A26719	A26720
FFKM	A26725	A26723	A26722	A26721	A26726	A26727

### Wolverine Advanced 230/460 VAC 3-phase, Duplex

Seals / Plunger Size	3/16 in	1/4 in	3/8 in	1/2 in	5/8 in	3/4 in
FKM	A26732	A26730	A26729	A26728	A26733	A26734
FKM-ETP	A26739	A26737	A26736	A26735	A26740	A26741
HNBR	A26746	A26744	A26743	A26742	A26747	A26748
FFKM	A26753	A26751	A26750	A26749	A26754	A26755

All Advanced Wolverine Pumps can be purchased with a cycle counter installed.  
 The model number of a pump with a cycle counter installed begins with "A29" rather than "A26."



# Wolverine® and G-Chem™ Drive Modules

## Quick Reference Chart

Wolverine Drive Modules, 12 VDC, 1/11 Hp Motor						
	Simplex (50)	Simplex (70)	Duplex (55)	Duplex (77)	Duplex (57)	Duplex (75)
No Cycle Count	A30000	A30003	A30001	A30005	A30002	A30004
Cycle Count	A30006	A30009	A30007	A30011	A30008	A30010

Wolverine Drive Modules, 12 VDC, 1/5 Hp Motor						
	Simplex (50)	Simplex (70)	Duplex (55)	Duplex (77)	Duplex (57)	Duplex (75)
No Cycle Count	A30020	A30023	A30021	A30025	A30022	A30024
Cycle Count	A30026	A30029	A30027	A30031	A30028	A30030

Wolverine Drive Modules, 115 VAC, 1/5 Hp Motor						
	Simplex (50)	Simplex (70)	Duplex (55)	Duplex (77)	Duplex (57)	Duplex (75)
No Cycle Count	A30040	A30043	A30041	A30045	A30042	A30044
Cycle Count	A30046	A30049	A30047	A30051	A30048	A30050

Wolverine Drive Modules, 230 VAC, 1/5 Hp Motor						
	Simplex (50)	Simplex (70)	Duplex (55)	Duplex (77)	Duplex (57)	Duplex (75)
No Cycle Count	A30060	A30063	A30061	A30065	A30062	A30064
Cycle Count	A30066	A30069	A30067	A30071	A30068	A30070

Wolverine Drive Modules, 230/480 VAC 3-Phase, 1/5 Hp Motor						
	Simplex (50)	Simplex (70)	Duplex (55)	Duplex (77)	Duplex (57)	Duplex (75)
No Cycle Count	A30080	A30083	A30081	A30085	A30082	A30084
Cycle Count	A30088	A30089	A30087	A30091	A30088	A30090

Wolverine Drive Modules, Hazardous Location Motor						
	Simplex (50)	Simplex (70)	Duplex (55)	Duplex (77)	Duplex (57)	Duplex (75)
12 VDC	A30100	A30103	A30101	A30105	A30102	A30104
24 VDC	A30120	A30123	A30121	A30125	A30122	A30124
115/230 (VAC Single Phase)	A30140	A30143	A30141	A30145	A30142	A30144
230/480 (VAC 3-Phase)	A30160	A30163	A30161	A30165	A30162	A30164

Wolverine Variable Speed Drive Modules						
	Simplex (50)	Simplex (70)	Duplex (55)	Duplex (77)	Duplex (57)	Duplex (75)
12 VDC	A30200	A30203	A30201	A30205	A30202	A30204
24 VDC	A30210	A30213	A30211	A30215	A30212	A30214
115 VAC	A30260	A30263	A30261	A30265	A30262	A30264

G-Chem Drive Modules			
	Simplex (50)	Duplex (55)	Duplex (h)
12 VDC	A30960	A30961	A30962
115 VAC	A30965	A30966	A30967

(50) Used for simplex pumps with 1/4 in, 3/8 in and 1/2 in plunger sizes.

(70) Used for simplex pumps with 3/16 in, 5/8 in and 3/4 in plunger sizes.

(55) Used for duplex pumps with 1/4 in, 3/8 in and 1/2 in plunger sizes.

(77) Used for duplex pumps with 3/16 in, 5/8 in and 3/4 in plunger sizes.

(57) Used for duplex pumps with 1/4 in, 3/8 in and 1/2 in plunger sizes on one side and 3/16 in, 5/8 in and 3/4 in plunger sizes on the opposite side.

(75) Used for duplex pumps with 3/16 in, 5/8 in and 3/4 in plunger sizes on one side and 1/4 in, 3/8 in and 1/2 in plunger sizes on the opposite side.

(h) Drive modules that come with Harrier AC controller pre-wired.

# Wolverine® and G-Chem™ Fluid Modules

## Quick Reference Chart

### Wolverine Series Fluid Modules, Chromex Plunger Coating

Seals / Plunger Size	3/16 in	1/4 in	3/8 in	1/2 in	5/8 in	3/4 in
FKM	A30300	A30400	A30500	A30600	A30700	A30800
FKM-ETP	A30301	A30401	A30501	A30601	A30701	A30801
HNBR	A30302	A30402	A30502	A30602	A30702	A30802
FFKM	A30303	A30403	A30503	A30603	A30703	A30803
TFE/P	A30304	A30404	A30504	A30604	A30704	A30804

### Wolverine Series Fluid Modules, Ceramic Plunger Coating

Seals / Plunger Size	3/16 in	1/4 in	3/8 in	1/2 in	5/8 in	3/4 in
FKM	A30310	A30410	A30510	A30610	A30710	A30810
FKM-ETP	A30311	A30411	A30511	A30611	A30711	A30811
HNBR	A30312	A30412	A30512	A30612	A30712	A30812
FFKM	A30313	A30413	A30513	A30613	A30713	A30813
TFE/P	A30314	A30414	A30514	A30614	A30714	A30814

### Wolverine Severe Duty Fluid Modules, Ceramic Plunger Coating

Seals / Plunger Size	3/16 in	1/4 in	3/8 in	1/2 in	5/8 in	3/4 in
FFKM	A30313T12	A30413T12	A30513T12	A30613T12	A30713T12	A30813T12

### G-Chem Fluid Modules, Chromex Coated Plunger Rods

Seals / Plunger Size	1/4 in	3/8 in	1/2 in
FKM	A30970	A30980	A30990
HNBR	A30971	A30981	A30991
TFE/P	A30972	A30982	A30993

# Mongoose™ Electronic Low Pressure Chemical Metering Pump

Our Mongoose series metering pump is suitable for dispensing chemicals for a variety of diverse markets such as oil and natural gas, mining, agriculture, landscaping and lawn maintenance, waste water, and car wash. These pumps can also be used in chemical dosing maintenance applications including cooling towers, boilers, and plating, as well as a multitude of other uses.

## Graco check valves

- Proprietary design (SST Head)
- Poppet style eliminates valve from sticking
- Same style valve used on other Graco chemical pumps

## Overload protection

- Self resetting thermal overload prevents over heating
- Over current protection
- Easily replaceable fuse for overcurrent
- No longer a throwaway pump

## Prime/air bleed port

- No need to remove fluid section to prime pump
- Quick and easy priming

## Other features

- Manual stroke adjustment
- Splash cover over controls
- NEMA 4x style enclosure
- UL and CSA certified



Mongoose SST Head

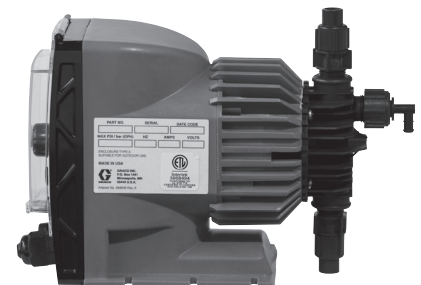
## Ordering Information

Mongoose Chemical Metering Pump Model Numbers					
Part Number	Description*	Flow	Pressure	Voltage	Fluid Section
A21000	LCI-1A17-SPD-0	17 gpd (64.3 lpd)	250 psi (17.2 bar)	120 VAC	316 SST
A21001	LCI-1A17-SPD-1	17 gpd (64.3 lpd)	250 psi (17.2 bar)	120 VAC	316 SST
A21004	LCI-2A17-SPD-0	17 gpd (64.3 lpd)	250 psi (17.2 bar)	240 VAC	316 SST
A21016	LCI-1210-SPD-0	10 gpd (37.8 lpd)	140 psi (9.6 bar)	12 VDC	316 SST
A21008	LCI-1A17-KPA-0	17 gpd (64.3 lpd)	250 psi (17.2 bar)	120 VAC	PVDF
A21009	LCI-1A15-KPA-0	15 gpd (56.7 lpd)	150 psi (10.3 bar)	120 VAC	PVDF
A21010	LCI-1A30-KPA-0	30 gpd (113.5 lpd)	110 psi (7.5 bar)	120 VAC	PVDF
A21011	LCI-1A45-KPA-0	45 gpd (170.3 lpd)	75 psi (5.2 bar)	120 VAC	PVDF
A21012	LCI-2A17-KPA-0	17 gpd (64.3 lpd)	250 psi (17.2 bar)	240 VAC	PVDF
A21013	LCI-2A15-KPA-0	15 gpd (56.7 lpd)	150 psi (10.3 bar)	240 VAC	PVDF
A21014	LCI-2A30-KPA-0	30 gpd (113.5 lpd)	110 psi (7.5 bar)	240 VAC	PVDF
A21015	LCI-2A45-KPA-0	45 gpd (170.3 lpd)	75 psi (5.2 bar)	240 VAC	PVDF

\*See configuration product matrix on next page



Mongoose Graco Check Valve on SST models



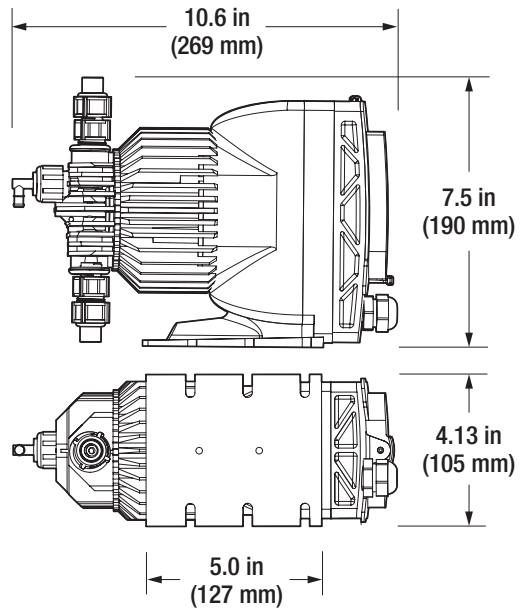
Mongoose PVDF Head

# Mongoose™ Electronic Low Pressure Chemical Metering Pump

## Technical Data

Mongoose Chemical Metering Pump	
Maximum fluid working pressure	250 psi (17.2 bar)
Cycle rate	125 cpm - 145 cpm
Input Voltage	120 VAC, 240 VAC, 12 VDC
Amperage Max Load	0.1 A - 0.5 A
Frequency	50/60 Hz
Environmental temperature range	-40° F to 120° F (-40° C to 50° C)
Inlet/Outlet Sizes	
Fluid inlet size	1/4 in npt, 1/4 in tube, 3/8 in tube
Fluid outlet size (1/4 in plungers only)	1/4 in npt, 1/4 in tube, 3/8 in tube
Prime/bleed size (1/4 in plungers only)	1/16 in npt, tube connection
Wetted Parts	
Pump/Diaphragm Seal Material	PEEK and PTFE unless otherwise noted
Other	316 stainless steel or PVDF
Check Valve Seal Material	FFKM or FKM
Weight	
All models	9.0 lb to 10.0 lb (4.0 kg to 4.5 kg)

## Dimensions



## Configuration Number Matrix

Check the identification plate (ID) for the 11-digit Configuration Number of your pump. Use the following matrix to define the components of your pump. *NOTE: Not all combinations are possible.*

Sample Configuration Number: **LCI-1A15-SPD-0**

LCI	1A	15	S	P	D	0
Low Pressure Chemical Injection	Voltage	Pump Performance	Pump Material	Diaphragm Material	Check Valve Seal Material	Options

Voltage		Pump Performance		Pump Material		Diaphragm Material		Check Valve Seal Material		Options	
12	12 VOC	10	10 gpd (37.8 lpd) 140 psi (9.6 bar)	S	316 SST	P	PTFE Coated	D	FFKM	0	None
1A	120 VAC	15	15 gpd (56.7 lpd) 150 psi (10.3 bar)	K	PVDF			A	FKM	1	No Bleed Valve, Standard Check
2A	240 VAC	17	17 gpd (64.3 lpd) 250 psi (17.2 bar)								
		30	30 gpd (113.5 lpd) 110 psi (7.5 bar)								
		45	45 gpd (170.3 lpd) 75 psi (5.2 bar)								

# Python® Pneumatically Operated Pumps

## Features and Benefits

Python pumps are ideal for applications that require a pump to operate in an potentially explosive atmosphere and can run off regulated natural gas or compressed air. These pumps have the lowest out of pocket cost, are easy to operate and use half the air consumption of other pumps in the market. Plus, the Python's extreme duty plungers, seals and timing valve are designed for years of operation before replacement.

### Operating Environment

The Python is designed to operate in environments from -40°F to 175°F (-40°C to 79°C), made entirely from 316 SST parts and are sealed against water and dust.

### Accurate Control

Ultra precision stroke adjustment between 1/4 to 1 inch (6.4 to 25.4 mm) ensures accurate injection rates.

### Environmental

Reduced fugitive methane emissions.

### Chemical Compatibility

HNBR, FKM, FKM ETP, FFKM, and TFE/P plunger packings and check valve seals can handle some of the most aggressive chemicals.

### Consistent Operation

Pump cycle rate remains constant regardless of system back pressure.

### Plunger Rod

Pythons are offered with Chromex coated plungers as the standard product offering. Ceramic coated plungers are also offered as an option. See page 70 for more information regarding benefits of Chromex and Ceramic plunger rod coatings.

### Standards

CE and ATEX approved.



### Configurations

#### Fluid Plunger Sizes

- 1/8 in (3.18 mm)
- 3/16 in (4.76 mm)
- 1/4 in (6.35 mm)
- 3/8 in (9.5 mm)
- 1/2 in (12.7 mm)
- 5/8 in (15.9 mm)
- 3/4 in (19.1 mm)

#### Fluid Plunger Material

- Chromex Coated
- Ceramic Coated

#### Air Motor Size

- 1-1/4 in (31.8 mm)
- 1-3/4 in (44.5 mm)
- 2 in (50.8 mm)

#### Input Power

- Compressed air or natural gas
- Max 200 psi (13.8 bar, 1.38 MPa)

#### Pump Capabilities

- Max flow rate: 165 gpd (625 lpd)
- Max pressure: 12,000 psi (827 bar, 82.7 MPa)
- Max cycle rate: 60 cycles/min

#### Standards

- ATEX
- CE

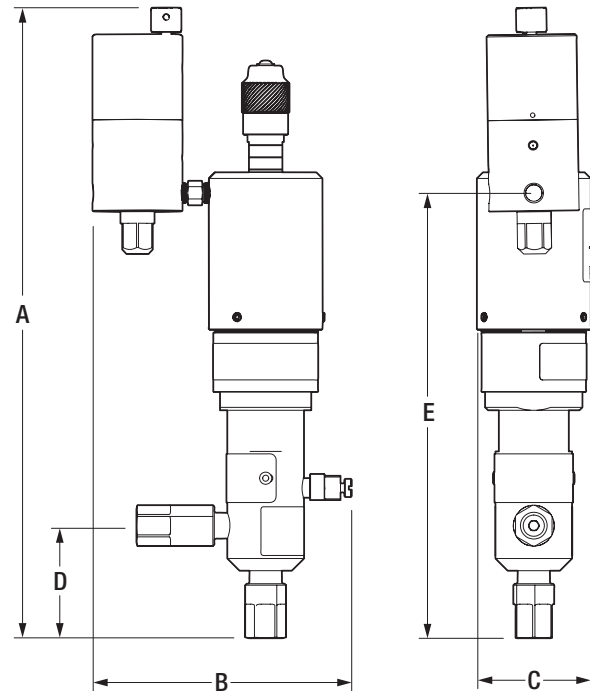


# Python® Pneumatically Operated Pumps (continued)

## Technical Data

Python Chemical Injection Pump	
Maximum air inlet pressure	see instruction manual
Maximum fluid working pressure	see instruction manual
Environmental temperature range	-40° F to 176° F (-40° C to 80° C)
<b>Noise (dBa)</b>	
Maximum sound pressure	<70 dBa with included muffler installed
<b>Inlet/Outlet Sizes</b>	
Fluid inlet size	1/4 in npt (f) (1/4 npt (m) adapter included)
Fluid outlet size (1/4 in, 3/8 in, 1/2 in, 5/8 in, and 3/4 in plungers only)	1/4 in npt (f)
Fluid outlet size (1/8 in and 3/16 in plungers only)	HiP HF4
Prime/bleed size (1/4 in, 3/8 in, 1/2 in, 5/8 in, and 3/4 in plungers only)	10-32 UNF
Prime/bleed size (1/8 in and 3/16 in plungers only)	1/16 in npt (f)
Pneumatic inlet size	1/8 in npt (f) (1/4 in npt (f) adapter included)
Pneumatic outlet size (exhaust recovery)	1/8 in npt (f)
<b>Materials of Construction</b>	
Pump/Check Valve seal material	See Configuration Number Matrix below for seal material.
Wetted Parts	See Configuration Number Matrix below for seal material. All other materials are 316 stainless steel unless otherwise noted.
<b>Weight</b>	
All models	8-11 lb (3.6-4.9 kg)

## Dimensions



A	B	C	D	E
13.26 in (33.7 cm)	5.3 in (13.5 cm)	2.34 in (5.9 cm)	2.3 in (5.8 cm)	9.125 in (23.2 cm)

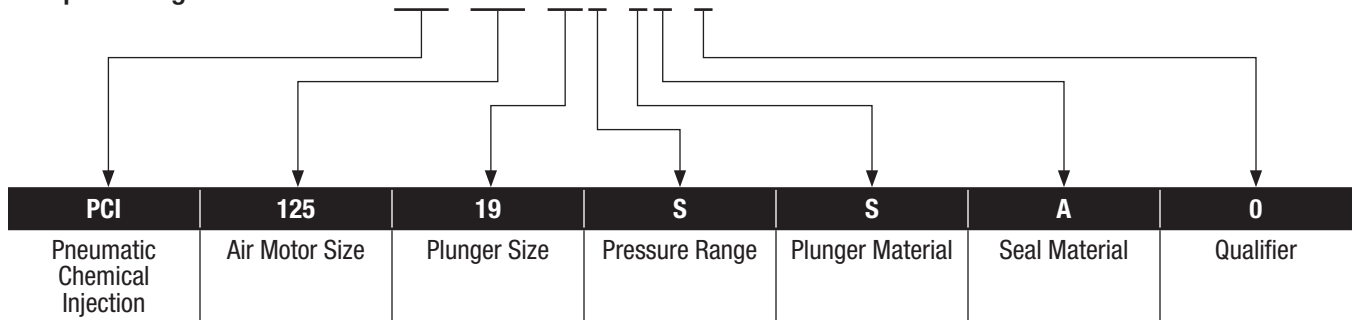
# Python® Pneumatically Operated Pumps

## Configuration Number Matrix

Graco provides a configuration numbering matrix to identify its pump's various configurations. Use the following matrix to define the components applicable to your needs.

NOTE: Not all possible configurations are available.

Sample Configuration Number: **PCI-125-19S-XA-A**



Air Motor Size		Plunger Size (diameter)		Pressure Range		Plunger Material		Seal Material		Qualifier	
<b>125</b>	1-1/4 in	<b>13</b>	1/8 in	<b>S</b>	Standard Pressure (1/4 in, 3/8 in, 1/2 in, 5/8 in, 3/4 in plungers)	<b>X</b>	Chromex Coated 17-4 PH Stainless	<b>A</b>	FKM	<b>A</b>	ATEX
<b>175</b>	1-3/4 in	<b>19</b>	3/16 in	<b>H</b>	High Pressure (1/8 in & 3/16 in plungers)	<b>C</b>	Ceramic Coated 17-4 PH Stainless	<b>B</b>	FKMETP	<b>U</b>	U-Cup Air Piston
<b>200</b>	2 in	<b>25</b>	1/4 in					<b>C</b>	HNBR		
		<b>38</b>	3/8 in					<b>D</b>	FFKM		
		<b>50</b>	1/2 in					<b>E</b>	TFE/P		
		<b>63</b>	5/8 in								
		<b>75</b>	3/4 in								

### Key Points

- Standard pressure pumps feature 1/4 in npt (f) inlet and outlet connections.
- High pressure pumps feature 1/4 in npt (f) inlet and HiP HF4 outlet connections.
- B32240 can be used to convert HF4 outlet connection to 1/4 in npt (f) for applications 10,000 psi and under.

# Python® Pneumatically Operated Pumps (continued)

**Python® Pneumatic Pump Performance\***

Air Piston (in)	Plunger (in)	Pressure (psi)	Flow (gal/day)
1-1/4	1/8	12,000	5
	3/16	6,500	10
	1/4	3,500	18
	3/8	1,500	41
	1/2	875	73
	5/8	500	115
	3/4	400	165
1-3/4	1/8	12,000	5
	3/16	12,000	10
	1/4	7,000	18
	3/8	3,000	41
	1/2	1,750	73
	5/8	1,000	115
	3/4	800	165
2	1/8	12,000	5
	3/16	12,000	10
	1/4	9,500	18
	3/8	4,000	41
	1/2	2,250	73
	5/8	1,500	115
	3/4	1,000	165

\* Please reference the Python installation manual for pump performance curves.





# Python® Pneumatically Operated Pumps

## Quick Reference Chart

1-1/4 in Air Piston (CE Approved)							
Seals / Plunger Size	1/8 in	3/16 in	1/4 in	3/8 in	1/2 in	5/8 in	3/4 in
FKM	A25000	A25001	A25002	A25003	A25004	A25005	A25006
FKM-ETP	A25021	A25022	A25023	A25024	A25025	A25026	A25027
HNBR	A25042	A25043	A25044	A25045	A25046	A25047	A25048
FFKM	A25063	A25064	A25065	A25066	A25067	A25068	A25069
TFE/P	A25090	A25091	A25092	A25093	A25094	A25095	A25096

1-3/4 in Air Piston (CE Approved)							
Seals / Plunger Size	1/8 in	3/16 in	1/4 in	3/8 in	1/2 in	5/8 in	3/4 in
FKM	A25007	A25008	A25009	A25010	A25011	A25012	A25013
FKM-ETP	A25028	A25029	A25030	A25031	A25032	A25033	A25034
HNBR	A25049	A25050	A25051	A25052	A25053	A25054	A25055
FFKM	A25070	A25071	A25072	A25073	A25074	A25075	A25076
TFE/P	A25097	A25098	A25099	A25184	A25185	A25186	A25187
TFE/P (U-cup)	-	-	A25084	A25085	A25086	-	-

2 in Air Piston (CE Approved)							
Seals / Plunger Size	1/8 in	3/16 in	1/4 in	3/8 in	1/2 in	5/8 in	3/4 in
FKM	A25014	A25015	A25016	A25017	A25018	A25019	A25020
FKM-ETP	A25035	A25036	A25037	A25038	A25039	A25040	A25041
HNBR	A25056	A25057	A25058	A25059	A25060	A25061	A25062
FFKM	A25077	A25078	A25079	A25080	A25081	A25082	A25083
TFE/P	A25188	A25189	A25190	A25191	A25192	A25193	A25194
TFE/P (U-cup)	-	-	A25087	A25088	A25089	-	-

1-1/4 in Air Piston (ATEX Approved)							
Seals / Plunger Size	1/8 in	3/16 in	1/4 in	3/8 in	1/2 in	5/8 in	3/4 in
FKM	A25100	A25101	A25102	A25103	A25104	A25105	A25106
FKM-ETP	A25121	A25122	A25123	A25124	A25125	A25126	A25127
HNBR	A25142	A25143	A25144	A25145	A25146	A25147	A25148
FFKM	A25163	A25164	A25165	A25166	A25167	A25168	A25169

1-3/4 in Air Piston (ATEX Approved)							
Seals / Plunger Size	1/8 in	3/16 in	1/4 in	3/8 in	1/2 in	5/8 in	3/4 in
FKM	A25107	A25108	A25109	A25110	A25111	A25112	A25113
FKM-ETP	A25128	A25129	A25130	A25131	A25132	A25133	A25134
HNBR	A25149	A25150	A25151	A25152	A25153	A25154	A25155
FFKM	A25170	A25171	A25172	A25173	A25174	A25175	A25176

2 in Air Piston (ATEX Approved)							
Seals / Plunger Size	1/8 in	3/16 in	1/4 in	3/8 in	1/2 in	5/8 in	3/4 in
FKM	A25114	A25115	A25116	A25117	A25118	A25119	A25120
FKM-ETP	A25135	A25136	A25137	A25138	A25139	A25140	A25141
HNBR	A25156	A25157	A25158	A25159	A25160	A25161	A25162
FFKM	A25177	A25178	A25179	A25180	A25181	A25182	A25183

# Python® Pneumatically Operated Pumps

## CE Approved

### Ordering Information

Part Number	Description
A25000	Python, 1-1/4 in Air Motor, 1/8 in Plunger, FKM Seals
A25001	Python, 1-1/4 in Air Motor, 3/16 in Plunger, FKM Seals
A25002	Python, 1-1/4 in Air Motor, 1/4 in Plunger, FKM Seals
A25003	Python, 1-1/4 in Air Motor, 3/8 in Plunger, FKM Seals
A25004	Python, 1-1/4 in Air Motor, 1/2 in Plunger, FKM Seals
A25005	Python, 1-1/4 in Air Motor, 5/8 in Plunger, FKM Seals
A25006	Python, 1-1/4 in Air Motor, 3/4 in Plunger, FKM Seals
A25042	Python, 1-1/4 in Air Motor, 1/8 in Plunger, HNBR Seals
A25043	Python, 1-1/4 in Air Motor, 3/16 in Plunger, HNBR Seals
A25044	Python, 1-1/4 in Air Motor, 1/4 in Plunger, HNBR Seals
A25045	Python, 1-1/4 in Air Motor, 3/8 in Plunger, HNBR Seals
A25046	Python, 1-1/4 in Air Motor, 1/2 in Plunger, HNBR Seals
A25047	Python, 1-1/4 in Air Motor, 5/8 in Plunger, HNBR Seals
A25048	Python, 1-1/4 in Air Motor, 3/4 in Plunger, HNBR Seals
A25021	Python, 1-1/4 in Air Motor, 1/8 in Plunger, FKM-ETP Seals
A25022	Python, 1-1/4 in Air Motor, 3/16 in Plunger, FKM-ETP Seals
A25023	Python, 1-1/4 in Air Motor, 1/4 in Plunger, FKM-ETP Seals
A25024	Python, 1-1/4 in Air Motor, 3/8 in Plunger, FKM-ETP Seals
A25025	Python, 1-1/4 in Air Motor, 1/2 in Plunger, FKM-ETP Seals
A25026	Python, 1-1/4 in Air Motor, 5/8 in Plunger, FKM-ETP Seals
A25027	Python, 1-1/4 in Air Motor, 3/4 in Plunger, FKM-ETP Seals
A25063	Python, 1-1/4 in Air Motor, 1/8 in Plunger, FFKM Seals
A25064	Python, 1-1/4 in Air Motor, 3/16 in Plunger, FFKM Seals
A25065	Python, 1-1/4 in Air Motor, 1/4 in Plunger, FFKM Seals
A25066	Python, 1-1/4 in Air Motor, 3/8 in Plunger, FFKM Seals
A25067	Python, 1-1/4 in Air Motor, 1/2 in Plunger, FFKM Seals
A25068	Python, 1-1/4 in Air Motor, 5/8 in Plunger, FFKM Seals
A25069	Python, 1-1/4 in Air Motor, 3/4 in Plunger, FFKM Seals
A25090	Python, 1-1/4 in Air Motor, 1/8 in Plunger, TFE/P Seals
A25091	Python, 1-1/4 in Air Motor, 3/16 in Plunger, TFE/P Seals
A25092	Python, 1-1/4 in Air Motor, 1/4 in Plunger, TFE/P Seals
A25093	Python, 1-1/4 in Air Motor, 3/8 in Plunger, TFE/P Seals
A25094	Python, 1-1/4 in Air Motor, 1/2 in Plunger, TFE/P Seals
A25095	Python, 1-1/4 in Air Motor, 5/8 in Plunger, TFE/P Seals
A25096	Python, 1-1/4 in Air Motor, 3/4 in Plunger, TFE/P Seals
A25013	Python, 1-3/4 in Air Motor, 3/4 in Plunger, FKM Seals

### Ordering Information

Part Number	Description
A25049	Python, 1-3/4 in Air Motor, 1/8 in Plunger, HNBR Seals
A25050	Python, 1-3/4 in Air Motor, 3/16 in Plunger, HNBR Seals
A25051	Python, 1-3/4 in Air Motor, 1/4 in Plunger, HNBR Seals
A25052	Python, 1-3/4 in Air Motor, 3/8 in Plunger, HNBR Seals
A25053	Python, 1-3/4 in Air Motor, 1/2 in Plunger, HNBR Seals
A25054	Python, 1-3/4 in Air Motor, 5/8 in Plunger, HNBR Seals
A25055	Python, 1-3/4 in Air Motor, 3/4 in Plunger, HNBR Seals
A25007	Python, 1-3/4 in Air Motor, 1/8 in Plunger, FKM Seals
A25008	Python, 1-3/4 in Air Motor, 3/16 in Plunger, FKM Seals
A25009	Python, 1-3/4 in Air Motor, 1/4 in Plunger, FKM Seals
A25010	Python, 1-3/4 in Air Motor, 3/8 in Plunger, FKM Seals
A25011	Python, 1-3/4 in Air Motor, 1/2 in Plunger, FKM Seals
A25012	Python, 1-3/4 in Air Motor, 5/8 in Plunger, FKM Seals
A25013	Python, 1-3/4 in Air Motor, 3/4 in Plunger, FKM Seals
A25028	Python, 1-3/4 in Air Motor, 1/8 in Plunger, FKM-ETP Seals
A25029	Python, 1-3/4 in Air Motor, 3/16 in Plunger, FKM-ETP Seals
A25030	Python, 1-3/4 in Air Motor, 1/4 in Plunger, FKM-ETP Seals
A25031	Python, 1-3/4 in Air Motor, 3/8 in Plunger, FKM-ETP Seals
A25032	Python, 1-3/4 in Air Motor, 1/2 in Plunger, FKM-ETP Seals
A25033	Python, 1-3/4 in Air Motor, 5/8 in Plunger, FKM-ETP Seals
A25034	Python, 1-3/4 in Air Motor, 3/4 in Plunger, FKM-ETP Seals
A25070	Python, 1-3/4 in Air Motor, 1/8 in Plunger, FFKM Seals
A25071	Python, 1-3/4 in Air Motor, 3/16 in Plunger, FFKM Seals
A25072	Python, 1-3/4 in Air Motor, 1/4 in Plunger, FFKM Seals
A25073	Python, 1-3/4 in Air Motor, 3/8 in Plunger, FFKM Seals
A25074	Python, 1-3/4 in Air Motor, 1/2 in Plunger, FFKM Seals
A25075	Python, 1-3/4 in Air Motor, 5/8 in Plunger, FFKM Seals
A25076	Python, 1-3/4 in Air Motor, 3/4 in Plunger, FFKM Seals
A25097	Python, 1-3/4 in Air Motor, 1/8 in Plunger, TFE/P Seals
A25098	Python, 1-3/4 in Air Motor, 3/16 in Plunger, TFE/P Seals
A25099	Python, 1-3/4 in Air Motor, 1/4 in Plunger, TFE/P Seals
A25184	Python, 1-3/4 in Air Motor, 3/8 in Plunger, TFE/P Seals
A25185	Python, 1-3/4 in Air Motor, 1/2 in Plunger, TFE/P Seals
A25186	Python, 1-3/4 in Air Motor, 5/8 in Plunger, TFE/P Seals
A25187	Python, 1-3/4 in Air Motor, 3/4 in Plunger, TFE/P Seals
A25084	Python, 1-3/4 in Air Motor, 1/4 in Plunger, TFE/P Seals, U-Cup Air Motor Seal
A25085	Python, 1-3/4 in Air Motor, 3/8 in Plunger, TFE/P Seals, U-Cup Air Motor Seal
A25086	Python, 1-3/4 in Air Motor, 1/2 in Plunger, TFE/P Seals, U-Cup Air Motor Seal

# Python® Pneumatically Operated Pumps

## CE Approved

### Ordering Information

Part Number	Description
A25056	Python, 2 in Air Motor, 1/8 in Plunger, HNBR Seals
A25057	Python, 2 in Air Motor, 3/16 in Plunger, HNBR Seals
A25058	Python, 2 in Air Motor, 1/4 in Plunger, HNBR Seals
A25059	Python, 2 in Air Motor, 3/8 in Plunger, HNBR Seals
A25060	Python, 2 in Air Motor, 1/2 in Plunger, HNBR Seals
A25061	Python, 2 in Air Motor, 5/8 in Plunger, HNBR Seals
A25062	Python, 2 in Air Motor, 3/4 in Plunger, HNBR Seals
A25014	Python, 2 in Air Motor, 1/8 in Plunger, FKM Seals
A25015	Python, 2 in Air Motor, 3/16 in Plunger, FKM Seals
A25016	Python, 2 in Air Motor, 1/4 in Plunger, FKM Seals
A25017	Python, 2 in Air Motor, 3/8 in Plunger, FKM Seals
A25018	Python, 2 in Air Motor, 1/2 in Plunger, FKM Seals
A25019	Python, 2 in Air Motor, 5/8 in Plunger, FKM Seals
A25020	Python, 2 in Air Motor, 3/4 in Plunger, FKM Seals
A25035	Python, 2 in Air Motor, 1/8 in Plunger, FKM-ETP Seals
A25036	Python, 2 in Air Motor, 3/16 in Plunger, FKM-ETP Seals
A25037	Python, 2 in Air Motor, 1/4 in Plunger, FKM-ETP Seals
A25038	Python, 2 in Air Motor, 3/8 in Plunger, FKM-ETP Seals
A25039	Python, 2 in Air Motor, 1/2 in Plunger, FKM-ETP Seals
A25040	Python, 2 in Air Motor, 5/8 in Plunger, FKM-ETP Seals
A25041	Python, 2 in Air Motor, 3/4 in Plunger, FKM-ETP Seals
A25077	Python, 2 in Air Motor, 1/8 in Plunger, FFKM Seals
A25078	Python, 2 in Air Motor, 3/16 in Plunger, FFKM Seals
A25079	Python, 2 in Air Motor, 1/4 in Plunger, FFKM Seals
A25080	Python, 2 in Air Motor, 3/8 in Plunger, FFKM Seals
A25081	Python, 2 in Air Motor, 1/2 in Plunger, FFKM Seals
A25082	Python, 2 in Air Motor, 5/8 in Plunger, FFKM Seals
A25083	Python, 2 in Air Motor, 3/4 in Plunger, FFKM Seals
A25188	Python, 2 in Air Motor, 1/8 in Plunger, TFE/P Seals
A25189	Python, 2 in Air Motor, 3/16 in Plunger, TFE/P Seals
A25190	Python, 2 in Air Motor, 1/4 in Plunger, TFE/P Seals
A25191	Python, 2 in Air Motor, 3/8 in Plunger, TFE/P Seals
A25192	Python, 2 in Air Motor, 1/2 in Plunger, TFE/P Seals
A25193	Python, 2 in Air Motor, 5/8 in Plunger, TFE/P Seals
A25194	Python, 2 in Air Motor, 3/4 in Plunger, TFE/P Seals
A25087	Python, 2 in Air Motor, 1/4 in Plunger, TFE/P Seals, U-Cup Air Motor Seal
A25088	Python, 2 in Air Motor, 3/8 in Plunger, TFE/P Seals, U-Cup Air Motor Seal
A25089	Python, 2 in Air Motor, 1/2 in Plunger, TFE/P Seals, U-Cup Air Motor Seal

# Python® Pneumatically Operated Pumps

## ATEX Approved

### Ordering Information

Part Number	Description
A25100	Python, 1-1/4 in Air Motor, 1/8 in Plunger, FKM Seals, ATEX
A25101	Python, 1-1/4 in Air Motor, 3/16 in Plunger, FKM Seals, ATEX
A25102	Python, 1-1/4 in Air Motor, 1/4 in Plunger, FKM Seals, ATEX
A25103	Python, 1-1/4 in Air Motor, 3/8 in Plunger, FKM Seals, ATEX
A25104	Python, 1-1/4 in Air Motor, 1/2 in Plunger, FKM Seals, ATEX
A25105	Python, 1-1/4 in Air Motor, 5/8 in Plunger, FKM Seals, ATEX
A25106	Python, 1-1/4 in Air Motor, 3/4 in Plunger, FKM Seals, ATEX
A25142	Python, 1-1/4 in Air Motor, 1/8 in Plunger, HNBR Seals, ATEX
A25143	Python, 1-1/4 in Air Motor, 3/16 in Plunger, HNBR Seals, ATEX
A25144	Python, 1-1/4 in Air Motor, 1/4 in Plunger, HNBR Seals, ATEX
A25145	Python, 1-1/4 in Air Motor, 3/8 in Plunger, HNBR Seals, ATEX
A25146	Python, 1-1/4 in Air Motor, 1/2 in Plunger, HNBR Seals, ATEX
A25147	Python, 1-1/4 in Air Motor, 5/8 in Plunger, HNBR Seals, ATEX
A25148	Python, 1-1/4 in Air Motor, 3/4 in Plunger, HNBR Seals, ATEX
A25121	Python, 1-1/4 in Air Motor, 1/8 in Plunger, FKM-ETP Seals, ATEX
A25122	Python, 1-1/4 in Air Motor, 3/16 in Plunger, FKM-ETP Seals, ATEX
A25123	Python, 1-1/4 in Air Motor, 1/4 in Plunger, FKM-ETP Seals, ATEX
A25124	Python, 1-1/4 in Air Motor, 3/8 in Plunger, FKM-ETP Seals, ATEX
A25125	Python, 1-1/4 in Air Motor, 1/2 in Plunger, FKM-ETP Seals, ATEX
A25126	Python, 1-1/4 in Air Motor, 5/8 in Plunger, FKM-ETP Seals, ATEX
A25127	Python, 1-1/4 in Air Motor, 3/4 in Plunger, FKM-ETP Seals, ATEX
A25163	Python, 1-1/4 in Air Motor, 1/8 in Plunger, FFKM Seals, ATEX
A25164	Python, 1-1/4 in Air Motor, 3/16 in Plunger, FFKM Seals, ATEX
A25165	Python, 1-1/4 in Air Motor, 1/4 in Plunger, FFKM Seals, ATEX
A25166	Python, 1-1/4 in Air Motor, 3/8 in Plunger, FFKM Seals, ATEX
A25167	Python, 1-1/4 in Air Motor, 1/2 in Plunger, FFKM Seals, ATEX
A25168	Python, 1-1/4 in Air Motor, 5/8 in Plunger, FFKM Seals, ATEX
A25169	Python, 1-1/4 in Air Motor, 3/4 in Plunger, FFKM Seals, ATEX

### Ordering Information

Part Number	Description
A25107	Python, 1-3/4 in Air Motor, 1/8 in Plunger, FKM Seals, ATEX
A25108	Python, 1-3/4 in Air Motor, 3/16 in Plunger, FKM Seals, ATEX
A25109	Python, 1-3/4 in Air Motor, 1/4 in Plunger, FKM Seals, ATEX
A25110	Python, 1-3/4 in Air Motor, 3/8 in Plunger, FKM Seals, ATEX
A25111	Python, 1-3/4 in Air Motor, 1/2 in Plunger, FKM Seals, ATEX
A25112	Python, 1-3/4 in Air Motor, 5/8 in Plunger, FKM Seals, ATEX
A25113	Python, 1-3/4 in Air Motor, 3/4 in Plunger, FKM Seals, ATEX
A25149	Python, 1-3/4 in Air Motor, 1/8 in Plunger, HNBR Seals, ATEX
A25150	Python, 1-3/4 in Air Motor, 3/16 in Plunger, HNBR Seals, ATEX
A25151	Python, 1-3/4 in Air Motor, 1/4 in Plunger, HNBR Seals, ATEX
A25152	Python, 1-3/4 in Air Motor, 3/8 in Plunger, HNBR Seals, ATEX
A25153	Python, 1-3/4 in Air Motor, 1/2 in Plunger, HNBR Seals, ATEX
A25154	Python, 1-3/4 in Air Motor, 5/8 in Plunger, HNBR Seals, ATEX
A25155	Python, 1-3/4 in Air Motor, 3/4 in Plunger, HNBR Seals, ATEX
A25128	Python, 1-3/4 in Air Motor, 1/8 in Plunger, FKM-ETP Seals, ATEX
A25129	Python, 1-3/4 in Air Motor, 3/16 in Plunger, FKM-ETP Seals, ATEX
A25130	Python, 1-3/4 in Air Motor, 1/4 in Plunger, FKM-ETP Seals, ATEX
A25131	Python, 1-3/4 in Air Motor, 3/8 in Plunger, FKM-ETP Seals, ATEX
A25132	Python, 1-3/4 in Air Motor, 1/2 in Plunger, FKM-ETP Seals, ATEX
A25133	Python, 1-3/4 in Air Motor, 5/8 in Plunger, FKM-ETP Seals, ATEX
A25134	Python, 1-3/4 in Air Motor, 3/4 in Plunger, FKM-ETP Seals, ATEX
A25170	Python, 1-3/4 in Air Motor, 1/8 in Plunger, FFKM Seals, ATEX
A25171	Python, 1-3/4 in Air Motor, 3/16 in Plunger, FFKM Seals, ATEX
A25172	Python, 1-3/4 in Air Motor, 1/4 in Plunger, FFKM Seals, ATEX
A25173	Python, 1-3/4 in Air Motor, 3/8 in Plunger, FFKM Seals, ATEX
A25174	Python, 1-3/4 in Air Motor, 1/2 in Plunger, FFKM Seals, ATEX
A25175	Python, 1-3/4 in Air Motor, 5/8 in Plunger, FFKM Seals, ATEX
A25176	Python, 1-3/4 in Air Motor, 3/4 in Plunger, FFKM Seals, ATEX

# Python® Pneumatically Operated Pumps

## ATEX Approved

### Ordering Information

Part Number	Description
A25156	Python, 2 in Air Motor, 1/8 in Plunger, HNBR Seals, ATEX
A25157	Python, 2 in Air Motor, 3/16 in Plunger, HNBR Seals, ATEX
A25158	Python, 2 in Air Motor, 1/4 in Plunger, HNBR Seals, ATEX
A25159	Python, 2 in Air Motor, 3/8 in Plunger, HNBR Seals, ATEX
A25160	Python, 2 in Air Motor, 1/2 in Plunger, HNBR Seals, ATEX
A25161	Python, 2 in Air Motor, 5/8 in Plunger, HNBR Seals, ATEX
A25162	Python, 2 in Air Motor, 3/4 in Plunger, HNBR Seals, ATEX
A25114	Python, 2 in Air Motor, 1/8 in Plunger, FKM Seals, ATEX
A25115	Python, 2 in Air Motor, 3/16 in Plunger, FKM Seals, ATEX
A25116	Python, 2 in Air Motor, 1/4 in Plunger, FKM Seals, ATEX
A25117	Python, 2 in Air Motor, 3/8 in Plunger, FKM Seals, ATEX
A25118	Python, 2 in Air Motor, 1/2 in Plunger, FKM Seals, ATEX
A25119	Python, 2 in Air Motor, 5/8 in Plunger, FKM Seals, ATEX
A25120	Python, 2 in Air Motor, 3/4 in Plunger, FKM Seals, ATEX
A25135	Python, 2 in Air Motor, 1/8 in Plunger, FKM-ETP Seals, ATEX
A25136	Python, 2 in Air Motor, 3/16 in Plunger, FKM-ETP Seals, ATEX
A25137	Python, 2 in Air Motor, 1/4 in Plunger, FKM-ETP Seals, ATEX
A25138	Python, 2 in Air Motor, 3/8 in Plunger, FKM-ETP Seals, ATEX
A25139	Python, 2 in Air Motor, 1/2 in Plunger, FKM-ETP Seals, ATEX
A25140	Python, 2 in Air Motor, 5/8 in Plunger, FKM-ETP Seals, ATEX
A25141	Python, 2 in Air Motor, 3/4 in Plunger, FKM-ETP Seals, ATEX
A25177	Python, 2 in Air Motor, 1/8 in Plunger, FFKM Seals, ATEX
A25178	Python, 2 in Air Motor, 3/16 in Plunger, FFKM Seals, ATEX
A25179	Python, 2 in Air Motor, 1/4 in Plunger, FFKM Seals, ATEX
A25180	Python, 2 in Air Motor, 3/8 in Plunger, FFKM Seals, ATEX
A25181	Python, 2 in Air Motor, 1/2 in Plunger, FFKM Seals, ATEX
A25182	Python, 2 in Air Motor, 5/8 in Plunger, FFKM Seals, ATEX
A25183	Python, 2 in Air Motor, 3/4 in Plunger, FFKM Seals

# Python® XL Pneumatically Operated Pumps

Python XL series pumps are ideal for wells with low gas pressure. Capable of operating up to 12,000 psi, the pumps are easy to operate and include an air motor with the same proven technology that Graco offers in other product lines. Plus the Python XL's extreme duty plungers (Chromex™ and ceramic coated), seals and air valves are designed for years of operation before replacement.

## Ease of serviceability

- Modular air valve design
- Removable pilot valve
- Pump lowers are interchangeable with other Python XL models
- Plunger packings can be replaced in 10 minutes or less

## Highest technology air motor on the market

- Only requires a minimum of 15 psi to operate pump
- Low air/gas consumption for increased efficiency
- Muffler provides low operation noise levels
- Proven Graco® Merkur® air motor technology

## Robust and simple design

- 316 SST fluid section/wetted parts
- Three stroke adjustment positions
- HNBR, FKM, FKM ETP, FFKM, and TFE/P plunger packings and check valve seals

## Environmentally friendly

- 97% recoverable exhaust gas
- Reduced fugitive methane emissions



B32251  
Air Motor 3-1/2 in

## Ordering Information

### Common Pump Parts and Kits

Kit Number	Item Description	Kit Number	Item Description
B32274	Stand Leg Kit	B32191	Priming Bleed Valve, low pressure
B32272	Wall Bracket 2-1/2 in, 3-1/2 in Merkur	B32250	Priming Bleed Valve, high pressure
B32253	Needle Valve Kit (110 psi safety valve)	B32273	Air Motor Tie Rod

For additional parts and kits, refer to Python XL instruction manual 3A3948.



B32302  
Pump Lower Kit  
1/2 in Chromex Plunger



B32256  
1/2 in Chromex Plunger



B32253  
Needle Valve Kit



B32264  
1/4 in Packing Nut Kit



B32270  
Larger Adapter  
Plate Kit



B32266  
1/2 in Packing Nut Kit

# Python® XL Pneumatically Operated Pumps

## Technical Data

<b>Python XL Chemical Injection Pump</b>	
Minimum pneumatic inlet pressure	See Instruction Manual
Maximum fluid working pressure	See Instruction Manual
Maximum cycle rate	100 cpm
Environmental temperature range	-40° F to 176°F (-40° C to 80°C)
<b>Noise (dBA)</b>	
2-1/2 in Air Motor Sound Power	83.2 dBA
2-1/2 in Air Motor Sound Pressure	76.5 dBA
3-1/2 in Air Motor Sound Power	84.5 dBA
3-1/2 in Air Motor Sound Pressure	77.9 dBA
4-1/2 in Air Motor Sound Power	80.1 dBA
4-1/2 in Air Motor Sound Pressure	70.2 dBA
<b>Inlet/Outlet Sizes</b>	
Fluid inlet size	1/4 in npt (f)
Fluid outlet size (3/8 in, 1/2 in, 5/8 in, & 3/4 in plungers only)	1/4 in npt (f)
Fluid outlet size (1/4 in plungers only)	HiP HF4
Prime/bleed size (3/8 in, 1/2 in, 5/8 in, & 3/4 in plungers only)	10-32 UNF
Prime/bleed size (1/4 in plungers only)	1/16 in npt (f)
Pneumatic inlet size	1/4 in npt (f)
Exhaust fitting size	3/8 in npt (f)
<b>Materials of Construction</b>	
Pump/Check Valve Seal Material	See Configuration Chart in manual for seal material. All other packing materials are PEEK and PTFE unless otherwise noted.
Wetted Parts	See Configuration Chart in manual for plunger material. All other materials are 316 stainless steel unless otherwise noted.
<b>Weight</b>	
2-1/2 in (ALL MODELS)	14.5 lb (6.6 kg)
3-1/2 in (ALL MODELS)	20.0 lb (9.1 kg)
4-1/2 in (ALL MODELS)	29.0 lb (13.2 kg)

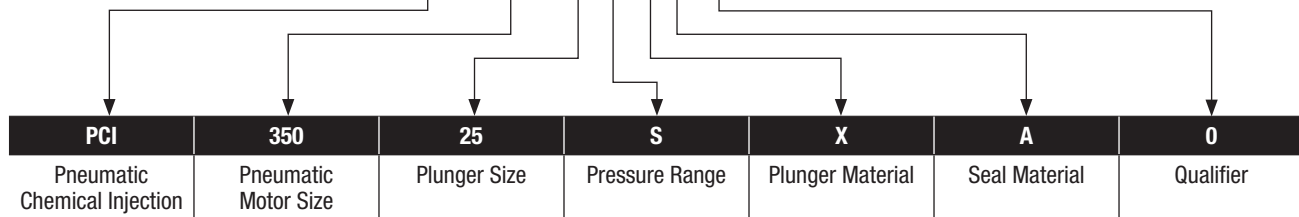
# Python® XL Pneumatically Operated Pumps

## Configuration Number Matrix

### Configuration Number Matrix

Check the identification plate (ID) for the 12-digit Configuration Number of your pump. Use the following matrix to define the components of your pump. *NOTE: Not all combinations are possible.*

Sample Configuration Number: **PCI-350-25S-XA-0**



Pneumatic Motor Size		Plunger Size (diameter)		Outlet Connection Type		Plunger Material		Seal Material		Qualifier	
250	2-1/2 in	13	1/4 in	S	1/4 in npt (f)	X	Chromex	A	FKM	0	None
350	3-1/2 in	19	1/4 in	H	HiP HF4	C	Ceramic	B	FKMETP		
350	4-1/2 in	25	1/4 in					C	HNBR		
		38	3/8 in					D	FFKM		
		50	1/2 in					E	TFE/P		
		63	5/8 in								
		75	3/4 in								

### Key Points

- All pumps feature 1/4 in npt (f) inlet connections.
- Kit B32240 can be used to convert an HF4 outlet connection to a 1/4 in npt (f) for applications at or under 10,000 psi.



# Python® XL Pneumatically Operated Pumps

## Quick Reference Chart

### GRACO Python XL Pneumatic Pump Model Numbers 2-1/2 in

#### Python XL, Chromex Coated Plungers (CE Certified)

Seals / Plunger Size	1/8 in	3/16 in	1/4 in	3/8 in	1/2 in	5/8 in	3/4 in
FKM	A25250	A25255	A25200	A25201	A25202	A25203	A25204
FKM-ETP	A25251	A25256	A25205	A25206	A25207	A25208	A25209
HNBR	A25252	A25257	A25210	A25211	A25212	A25213	A25214
FFKM	A25253	A25258	A25215	A25216	A25217	A25218	A25219
TFE/P	A25254	A25259	A25240	A25241	A25242	A25243	A25244

#### Python XL, Ceramic Coated Plungers (CE Certified)

Seals / Plunger Size	1/8 in	3/16 in	1/4 in	3/8 in	1/2 in	5/8 in	3/4 in
FKM	A25260	A25265	A25220	A25221	A25222	A25223	A25224
FKM-ETP	A25261	A25266	A25225	A25226	A25227	A25228	A25229
HNBR	A25262	A25267	A25230	A25231	A25232	A25233	A25234
FFKM	A25263	A25268	A25235	A25236	A25237	A25238	A25239
TFE/P	A25264	A25269	A25245	A25246	A25247	A25248	A25249

#### Python XL, Chromex Coated Plungers (ATEX Certified)

Seals / Plunger Size	1/8 in	3/16 in	1/4 in	3/8 in	1/2 in	5/8 in	3/4 in
FKM	A25550	A25555	A25500	A25501	A25502	A25503	A25504
FKM-ETP	A25551	A25556	A25505	A25506	A25507	A25508	A25509
HNBR	A25552	A25557	A25510	A25511	A25512	A25513	A25514
FFKM	A25553	A25558	A25515	A25516	A25517	A25518	A25519
TFE/P	A25554	A25559	A25540	A25541	A25542	A25543	A25544

#### Python XL, Ceramic Coated Plungers (ATEX Certified)

Seals / Plunger Size	1/8 in	3/16 in	1/4 in	3/8 in	1/2 in	5/8 in	3/4 in
FKM	A25560	A25565	A25520	A25521	A25522	A25523	A25524
FKM-ETP	A25561	A25566	A25525	A25526	A25527	A25528	A25529
FFKM	A25562	A25567	A25530	A25531	A25532	A25533	A25534
HNBR	A25563	A25568	A25535	A25536	A25537	A25538	A25539
TFE/P	A25564	A25569	A25545	A25546	A25547	A25548	A25549



Python XL 2-1/2 in

# Python® XL Pneumatically Operated Pumps

## Quick Reference Chart

### GRACO Python XL Pneumatic Pump Model Numbers 3-1/2 in

#### Python XL, Chromex Coated Plungers (CE Certified)

Seals / Plunger Size	1/4 in	3/8 in	1/2 in	5/8 in	3/4 in
FKM	A25300	A25301	A25302	A25303	A25304
FKM-ETP	A25305	A25306	A25307	A25308	A25309
HNBR	A25310	A25311	A25312	A25313	A25314
FFKM	A25315	A25316	A25317	A25318	A25319
TFE/P	A25380	A25381	A25382	A25383	A25384

#### Python XL, Ceramic Coated Plungers (CE Certified)

Seals / Plunger Size	1/4 in	3/8 in	1/2 in	5/8 in	3/4 in
FKM	A25320	A25321	A25322	A25323	A25324
FKM-ETP	A25325	A25326	A25327	A25328	A25329
HNBR	A25330	A25331	A25332	A25333	A25334
FFKM	A25335	A25336	A25337	A25338	A25339
TFE/P	A25385	A25386	A25387	A25388	A25389

#### Python XL, Chromex Coated Plungers (ATEX Certified)

Seals / Plunger Size	1/4 in	3/8 in	1/2 in	5/8 in	3/4 in
FKM	A25340	A25341	A25342	A25343	A25344
FKM-ETP	A25345	A25346	A25347	A25348	A25349
HNBR	A25350	A25351	A25352	A25353	A25354
FFKM	A25355	A25356	A25357	A25358	A25359
TFE/P	A25390	A25391	A25392	A25393	A25394

#### Python XL, Ceramic Coated Plungers (ATEX Certified)

Seals / Plunger Size	1/4 in	3/8 in	1/2 in	5/8 in	3/4 in
FKM	A25360	A25361	A25362	A25363	A25364
FKM-ETP	A25365	A25366	A25367	A25368	A25369
FFKM	A25370	A25371	A25372	A25373	A25374
HNBR	A25375	A25376	A25377	A25378	A25379
TFE/P	A25395	A25396	A25397	A25398	A25399



Python XL 3-1/2 in

# Python® XL Pneumatically Operated Pumps

## Quick Reference Chart

### GRACO Python XL Pneumatic Pump Model Numbers 4-1/2 in

#### Python XL, Chromex Coated Plungers (CE Certified)

Seals / Plunger Size	1/4 in	3/8 in	1/2 in	5/8 in	3/4 in
FKM	A25400	A25401	A25402	A25403	A25404
FKM-ETP	A25405	A25406	A25407	A25408	A25409
HNBR	A25410	A25411	A25412	A25413	A25414
FFKM	A25415	A25416	A25417	A25418	A25419
TFE/P	A25440	A25441	A25442	A25443	A25444

#### Python XL, Ceramic Coated Plungers (CE Certified)

Seals / Plunger Size	1/4 in	3/8 in	1/2 in	5/8 in	3/4 in
FKM	A25420	A25421	A25422	A25423	A25424
FKM-ETP	A25425	A25426	A25427	A25428	A25429
HNBR	A25430	A25431	A25432	A25433	A25434
FFKM	A25435	A25436	A25437	A25438	A25439
TFE/P	A25445	A25446	A25447	A25448	A25449

#### Python XL, Chromex Coated Plungers (ATEX Certified)

Seals / Plunger Size	1/4 in	3/8 in	1/2 in	5/8 in	3/4 in
FKM	A25800	A25801	A25802	A25803	A25804
FKM-ETP	A25805	A25806	A25807	A25808	A25809
HNBR	A25810	A25811	A25812	A25813	A25814
FFKM	A25815	A25816	A25817	A25818	A25819
TFE/P	A25840	A25841	A25842	A25843	A25844

#### Python XL, Ceramic Coated Plungers (ATEX Certified)

Seals / Plunger Size	1/4 in	3/8 in	1/2 in	5/8 in	3/4 in
FKM	A25820	A25821	A25822	A25823	A25824
FKM-ETP	A25825	A25826	A25827	A25828	A25829
FFKM	A25830	A25831	A25832	A25833	A25834
HNBR	A25835	A25836	A25837	A25838	A25839
TFE/P	A25845	A25846	A25847	A25848	A25849



Python XL 4-1/2 in

# Python® XL Pneumatically Operated Pumps

## Ordering Information

Part Number	Description
A25255	Python XL, 2-1/2 in Air Motor, 3/16 in Plunger, Chromex Coated, FKM Seals, CE Approved
A25250	Python XL, 2-1/2 in Air Motor, 1/8 in Plunger, Chromex Coated, FKM Seals, CE Approved
A25200	Python XL, 2-1/2 in Air Motor, 1/4 in Plunger, Chromex Coated, FKM Seals, CE Approved
A25201	Python XL, 2-1/2 in Air Motor, 3/8 in Plunger, Chromex Coated, FKM Seals, CE Approved
A25202	Python XL, 2-1/2 in Air Motor, 1/2 in Plunger, Chromex Coated, FKM Seals, CE Approved
A25203	Python XL, 2-1/2 in Air Motor, 5/8 in Plunger, Chromex Coated, FKM Seals, CE Approved
A25204	Python XL, 2-1/2 in Air Motor, 3/4 in Plunger, Chromex Coated, FKM Seals, CE Approved
A25256	Python XL, 2-1/2 in Air Motor, 3/16 in Plunger, Chromex Coated, FKM-ETP Seals, CE Approved
A25251	Python XL, 2-1/2 in Air Motor, 1/8 in Plunger, Chromex Coated, FKM-ETP Seals, CE Approved
A25205	Python XL, 2-1/2 in Air Motor, 1/4 in Plunger, Chromex Coated, FKM-ETP Seals, CE Approved
A25206	Python XL, 2-1/2 in Air Motor, 3/8 in Plunger, Chromex Coated, FKM-ETP Seals, CE Approved
A25207	Python XL, 2-1/2 in Air Motor, 1/2 in Plunger, Chromex Coated, FKM-ETP Seals, CE Approved
A25208	Python XL, 2-1/2 in Air Motor, 5/8 in Plunger, Chromex Coated, FKM-ETP Seals, CE Approved
A25209	Python XL, 2-1/2 in Air Motor, 3/4 in Plunger, Chromex Coated, FKM-ETP Seals, CE Approved
A25257	Python XL, 2-1/2 in Air Motor, 3/16 in Plunger, Chromex Coated, HNBR Seals, CE Approved
A25252	Python XL, 2-1/2 in Air Motor, 1/8 in Plunger, Chromex Coated, HNBR Seals, CE Approved
A25210	Python XL, 2-1/2 in Air Motor, 1/4 in Plunger, Chromex Coated, HNBR Seals, CE Approved
A25211	Python XL, 2-1/2 in Air Motor, 3/8 in Plunger, Chromex Coated, HNBR Seals, CE Approved
A25212	Python XL, 2-1/2 in Air Motor, 1/2 in Plunger, Chromex Coated, HNBR Seals, CE Approved
A25213	Python XL, 2-1/2 in Air Motor, 5/8 in Plunger, Chromex Coated, HNBR Seals, CE Approved
A25214	Python XL, 2-1/2 in Air Motor, 3/4 in Plunger, Chromex Coated, HNBR Seals, CE Approved
A25258	Python XL, 2-1/2 in Air Motor, 3/16 in Plunger, Chromex Coated, FFKM Seals, CE Approved
A25253	Python XL, 2-1/2 in Air Motor, 1/8 in Plunger, Chromex Coated, FFKM Seals, CE Approved
A25215	Python XL, 2-1/2 in Air Motor, 1/4 in Plunger, Chromex Coated, FFKM Seals, CE Approved

## Ordering Information

Part Number	Description
A25216	Python XL, 2-1/2 in Air Motor, 3/8 in Plunger, Chromex Coated, FFKM Seals, CE Approved
A25217	Python XL, 2-1/2 in Air Motor, 1/2 in Plunger, Chromex Coated, FFKM Seals, CE Approved
A25218	Python XL, 2-1/2 in Air Motor, 5/8 in Plunger, Chromex Coated, FFKM Seals, CE Approved
A25219	Python XL, 2-1/2 in Air Motor, 3/4 in Plunger, Chromex Coated, FFKM Seals, CE Approved
A25259	Python XL, 2-1/2 in Air Motor, 3/16 in Plunger, Chromex Coated, TFE/P Seals, CE Approved
A25254	Python XL, 2-1/2 in Air Motor, 1/8 in Plunger, Chromex Coated, TFE/P Seals, CE Approved
A25240	Python XL, 2-1/2 in Air Motor, 1/4 in Plunger, Chromex Coated, TFE/P Seals, CE Approved
A25241	Python XL, 2-1/2 in Air Motor, 3/8 in Plunger, Chromex Coated, TFE/P Seals, CE Approved
A25242	Python XL, 2-1/2 in Air Motor, 1/2 in Plunger, Chromex Coated, TFE/P Seals, CE Approved
A25243	Python XL, 2-1/2 in Air Motor, 5/8 in Plunger, Chromex Coated, TFE/P Seals, CE Approved
A25244	Python XL, 2-1/2 in Air Motor, 3/4 in Plunger, Chromex Coated, TFE/P Seals, CE Approved
A25265	Python XL, 2-1/2 in Air Motor, 3/16 in Plunger, Ceramic Coated, FKM Seals, CE Approved
A25260	Python XL, 2-1/2 in Air Motor, 1/8 in Plunger, Ceramic Coated, FKM Seals, CE Approved
A25220	Python XL, 2-1/2 in Air Motor, 1/4 in Plunger, Ceramic Coated, FKM Seals, CE Approved
A25221	Python XL, 2-1/2 in Air Motor, 3/8 in Plunger, Ceramic Coated, FKM Seals, CE Approved
A25222	Python XL, 2-1/2 in Air Motor, 1/2 in Plunger, Ceramic Coated, FKM Seals, CE Approved
A25223	Python XL, 2-1/2 in Air Motor, 5/8 in Plunger, Ceramic Coated, FKM Seals, CE Approved
A25224	Python XL, 2-1/2 in Air Motor, 3/4 in Plunger, Ceramic Coated, FKM Seals, CE Approved
A25266	Python XL, 2-1/2 in Air Motor, 3/16 in Plunger, Ceramic Coated, FKM-ETP Seals, CE Approved
A25261	Python XL, 2-1/2 in Air Motor, 1/8 in Plunger, Ceramic Coated, FKM-ETP Seals, CE Approved
A25225	Python XL, 2-1/2 in Air Motor, 1/4 in Plunger, Ceramic Coated, FKM-ETP Seals, CE Approved
A25226	Python XL, 2-1/2 in Air Motor, 3/8 in Plunger, Ceramic Coated, FKM-ETP Seals, CE Approved
A25227	Python XL, 2-1/2 in Air Motor, 1/2 in Plunger, Ceramic Coated, FKM-ETP Seals, CE Approved
A25228	Python XL, 2-1/2 in Air Motor, 5/8 in Plunger, Ceramic Coated, FKM-ETP Seals, CE Approved

# Python® XL Pneumatically Operated Pumps

(continued)

## Ordering Information

Part Number	Description
A25229	Python XL, 2-1/2 in Air Motor, 3/4 in Plunger, Ceramic Coated, FKM-ETP Seals, CE Approved
A25267	Python XL, 2-1/2 in Air Motor, 3/16 in Plunger, Ceramic Coated, HNBR Seals, CE Approved
A25262	Python XL, 2-1/2 in Air Motor, 1/8 in Plunger, Ceramic Coated, HNBR Seals, CE Approved
A25230	Python XL, 2-1/2 in Air Motor, 1/4 in Plunger, Ceramic Coated, HNBR Seals, CE Approved
A25231	Python XL, 2-1/2 in Air Motor, 3/8 in Plunger, Ceramic Coated, HNBR Seals, CE Approved
A25232	Python XL, 2-1/2 in Air Motor, 1/2 in Plunger, Ceramic Coated, HNBR Seals, CE Approved
A25233	Python XL, 2-1/2 in Air Motor, 5/8 in Plunger, Ceramic Coated, HNBR Seals, CE Approved
A25234	Python XL, 2-1/2 in Air Motor, 3/4 in Plunger, Ceramic Coated, HNBR Seals, CE Approved
A25268	Python XL, 2-1/2 in Air Motor, 3/16 in Plunger, Ceramic Coated, FFKM Seals, CE Approved
A25263	Python XL, 2-1/2 in Air Motor, 1/8 in Plunger, Ceramic Coated, FFKM Seals, CE Approved
A25235	Python XL, 2-1/2 in Air Motor, 1/4 in Plunger, Ceramic Coated, FFKM Seals, CE Approved
A25236	Python XL, 2-1/2 in Air Motor, 3/8 in Plunger, Ceramic Coated, FFKM Seals, CE Approved
A25237	Python XL, 2-1/2 in Air Motor, 1/2 in Plunger, Ceramic Coated, FFKM Seals, CE Approved
A25238	Python XL, 2-1/2 in Air Motor, 5/8 in Plunger, Ceramic Coated, FFKM Seals, CE Approved
A25239	Python XL, 2-1/2 in Air Motor, 3/4 in Plunger, Ceramic Coated, FFKM Seals, CE Approved
A25269	Python XL, 2-1/2 in Air Motor, 3/16 in Plunger, Ceramic Coated, TFE/P Seals, CE Approved
A25264	Python XL, 2-1/2 in Air Motor, 1/8 in Plunger, Ceramic Coated, TFE/P Seals, CE Approved
A25245	Python XL, 2-1/2 in Air Motor, 1/4 in Plunger, Ceramic Coated, TFE/P Seals, CE Approved
A25246	Python XL, 2-1/2 in Air Motor, 3/8 in Plunger, Ceramic Coated, TFE/P Seals, CE Approved
A25247	Python XL, 2-1/2 in Air Motor, 1/2 in Plunger, Ceramic Coated, TFE/P Seals, CE Approved
A25248	Python XL, 2-1/2 in Air Motor, 5/8 in Plunger, Ceramic Coated, TFE/P Seals, CE Approved
A25249	Python XL, 2-1/2 in Air Motor, 3/4 in Plunger, Ceramic Coated, TFE/P Seals, CE Approved
A25555	Python XL, 2-1/2 in Air Motor, 3/16 in Plunger, Chromex Coated, FKM Seals, ATEX Approved
A25550	Python XL, 2-1/2 in Air Motor, 1/8 in Plunger, Chromex Coated, FKM Seals, ATEX Approved

## Ordering Information

Part Number	Description
A25500	Python XL, 2-1/2 in Air Motor, 1/4 in Plunger, Chromex Coated, FKM Seals, ATEX Approved
A25501	Python XL, 2-1/2 in Air Motor, 3/8 in Plunger, Chromex Coated, FKM Seals, ATEX Approved
A25502	Python XL, 2-1/2 in Air Motor, 1/2 in Plunger, Chromex Coated, FKM Seals, ATEX Approved
A25503	Python XL, 2-1/2 in Air Motor, 5/8 in Plunger, Chromex Coated, FKM Seals, ATEX Approved
A25504	Python XL, 2-1/2 in Air Motor, 3/4 in Plunger, Chromex Coated, FKM Seals, ATEX Approved
A25556	Python XL, 2-1/2 in Air Motor, 3/16 in Plunger, Chromex Coated, FKM-ETP Seals, ATEX Approved
A25551	Python XL, 2-1/2 in Air Motor, 1/8 in Plunger, Chromex Coated, FKM-ETP Seals, ATEX Approved
A25505	Python XL, 2-1/2 in Air Motor, 1/4 in Plunger, Chromex Coated, FKM-ETP Seals, ATEX Approved
A25506	Python XL, 2-1/2 in Air Motor, 3/8 in Plunger, Chromex Coated, FKM-ETP Seals, ATEX Approved
A25507	Python XL, 2-1/2 in Air Motor, 1/2 in Plunger, Chromex Coated, FKM-ETP Seals, ATEX Approved
A25508	Python XL, 2-1/2 in Air Motor, 5/8 in Plunger, Chromex Coated, FKM-ETP Seals, ATEX Approved
A25509	Python XL, 2-1/2 in Air Motor, 3/4 in Plunger, Chromex Coated, FKM-ETP Seals, ATEX Approved
A25557	Python XL, 2-1/2 in Air Motor, 3/16 in Plunger, Chromex Coated, HNBR Seals, ATEX Approved
A25552	Python XL, 2-1/2 in Air Motor, 1/8 in Plunger, Chromex Coated, HNBR Seals, ATEX Approved
A25510	Python XL, 2-1/2 in Air Motor, 1/4 in Plunger, Chromex Coated, HNBR Seals, ATEX Approved
A25511	Python XL, 2-1/2 in Air Motor, 3/8 in Plunger, Chromex Coated, HNBR Seals, ATEX Approved
A25512	Python XL, 2-1/2 in Air Motor, 1/2 in Plunger, Chromex Coated, HNBR Seals, ATEX Approved
A25513	Python XL, 2-1/2 in Air Motor, 5/8 in Plunger, Chromex Coated, HNBR Seals, ATEX Approved
A25514	Python XL, 2-1/2 in Air Motor, 3/4 in Plunger, Chromex Coated, HNBR Seals, ATEX Approved
A25558	Python XL, 2-1/2 in Air Motor, 3/16 in Plunger, Chromex Coated, FFKM Seals, ATEX Approved
A25553	Python XL, 2-1/2 in Air Motor, 1/8 in Plunger, Chromex Coated, FFKM Seals, ATEX Approved
A25515	Python XL, 2-1/2 in Air Motor, 1/4 in Plunger, Chromex Coated, FFKM Seals, ATEX Approved
A25516	Python XL, 2-1/2 in Air Motor, 3/8 in Plunger, Chromex Coated, FFKM Seals, ATEX Approved
A25517	Python XL, 2-1/2 in Air Motor, 1/2 in Plunger, Chromex Coated, FFKM Seals, ATEX Approved

# Python® XL Pneumatically Operated Pumps

(continued)

## Ordering Information

Part Number	Description
A25518	Python XL, 2-1/2 in Air Motor, 5/8 in Plunger, Chromex Coated, FFKM Seals, ATEX Approved
A25519	Python XL, 2-1/2 in Air Motor, 3/4 in Plunger, Chromex Coated, FFKM Seals, ATEX Approved
A25559	Python XL, 2-1/2 in Air Motor, 3/16 in Plunger, Chromex Coated, TFE/P Seals, ATEX Approved
A25554	Python XL, 2-1/2 in Air Motor, 1/8 in Plunger, Chromex Coated, TFE/P Seals, ATEX Approved
A25540	Python XL, 2-1/2 in Air Motor, 1/4 in Plunger, Chromex Coated, TFE/P Seals, ATEX Approved
A25541	Python XL, 2-1/2 in Air Motor, 3/8 in Plunger, Chromex Coated, TFE/P Seals, ATEX Approved
A25542	Python XL, 2-1/2 in Air Motor, 1/2 in Plunger, Chromex Coated, TFE/P Seals, ATEX Approved
A25543	Python XL, 2-1/2 in Air Motor, 5/8 in Plunger, Chromex Coated, TFE/P Seals, ATEX Approved
A25544	Python XL, 2-1/2 in Air Motor, 3/4 in Plunger, Chromex Coated, TFE/P Seals, ATEX Approved
A25565	Python XL, 2-1/2 in Air Motor, 3/16 in Plunger, Ceramic Coated, FKM Seals, ATEX Approved
A25560	Python XL, 2-1/2 in Air Motor, 1/8 in Plunger, Ceramic Coated, FKM Seals, ATEX Approved
A25520	Python XL, 2-1/2 in Air Motor, 1/4 in Plunger, Ceramic Coated, FKM Seals, ATEX Approved
A25521	Python XL, 2-1/2 in Air Motor, 3/8 in Plunger, Ceramic Coated, FKM Seals, ATEX Approved
A25522	Python XL, 2-1/2 in Air Motor, 1/2 in Plunger, Ceramic Coated, FKM Seals, ATEX Approved
A25523	Python XL, 2-1/2 in Air Motor, 5/8 in Plunger, Ceramic Coated, FKM Seals, ATEX Approved
A25524	Python XL, 2-1/2 in Air Motor, 3/4 in Plunger, Ceramic Coated, FKM Seals, ATEX Approved
A25566	Python XL, 2-1/2 in Air Motor, 3/16 in Plunger, Ceramic Coated, FKM-ETP Seals, ATEX Approved
A25561	Python XL, 2-1/2 in Air Motor, 1/8 in Plunger, Ceramic Coated, FKM-ETP Seals, ATEX Approved
A25525	Python XL, 2-1/2 in Air Motor, 1/4 in Plunger, Ceramic Coated, FKM-ETP Seals, ATEX Approved
A25526	Python XL, 2-1/2 in Air Motor, 3/8 in Plunger, Ceramic Coated, FKM-ETP Seals, ATEX Approved
A25527	Python XL, 2-1/2 in Air Motor, 1/2 in Plunger, Ceramic Coated, FKM-ETP Seals, ATEX Approved
A25528	Python XL, 2-1/2 in Air Motor, 5/8 in Plunger, Ceramic Coated, FKM-ETP Seals, ATEX Approved
A25529	Python XL, 2-1/2 in Air Motor, 3/4 in Plunger, Ceramic Coated, FKM-ETP Seals, ATEX Approved
A25567	Python XL, 2-1/2 in Air Motor, 3/16 in Plunger, Ceramic Coated, HNBR Seals, ATEX Approved

## Ordering Information

Part Number	Description
A25562	Python XL, 2-1/2 in Air Motor, 1/8 in Plunger, Ceramic Coated, HNBR Seals, ATEX Approved
A25530	Python XL, 2-1/2 in Air Motor, 1/4 in Plunger, Ceramic Coated, HNBR Seals, ATEX Approved
A25531	Python XL, 2-1/2 in Air Motor, 3/8 in Plunger, Ceramic Coated, HNBR Seals, ATEX Approved
A25532	Python XL, 2-1/2 in Air Motor, 1/2 in Plunger, Ceramic Coated, HNBR Seals, ATEX Approved
A25533	Python XL, 2-1/2 in Air Motor, 5/8 in Plunger, Ceramic Coated, HNBR Seals, ATEX Approved
A25534	Python XL, 2-1/2 in Air Motor, 3/4 in Plunger, Ceramic Coated, HNBR Seals, ATEX Approved
A25568	Python XL, 2-1/2 in Air Motor, 3/16 in Plunger, Ceramic Coated, FFKM Seals, ATEX Approved
A25563	Python XL, 2-1/2 in Air Motor, 1/8 in Plunger, Ceramic Coated, FFKM Seals, ATEX Approved
A25535	Python XL, 2-1/2 in Air Motor, 1/4 in Plunger, Ceramic Coated, FFKM Seals, ATEX Approved
A25536	Python XL, 2-1/2 in Air Motor, 3/8 in Plunger, Ceramic Coated, FFKM Seals, ATEX Approved
A25537	Python XL, 2-1/2 in Air Motor, 1/2 in Plunger, Ceramic Coated, FFKM Seals, ATEX Approved
A25538	Python XL, 2-1/2 in Air Motor, 5/8 in Plunger, Ceramic Coated, FFKM Seals, ATEX Approved
A25539	Python XL, 2-1/2 in Air Motor, 3/4 in Plunger, Ceramic Coated, FFKM Seals, ATEX Approved
A25569	Python XL, 2-1/2 in Air Motor, 3/16 in Plunger, Ceramic Coated, TFE/P Seals, ATEX Approved
A25564	Python XL, 2-1/2 in Air Motor, 1/8 in Plunger, Ceramic Coated, TFE/P Seals, ATEX Approved
A25545	Python XL, 2-1/2 in Air Motor, 1/4 in Plunger, Ceramic Coated, TFE/P Seals, ATEX Approved
A25546	Python XL, 2-1/2 in Air Motor, 3/8 in Plunger, Ceramic Coated, TFE/P Seals, ATEX Approved
A25547	Python XL, 2-1/2 in Air Motor, 1/2 in Plunger, Ceramic Coated, TFE/P Seals, ATEX Approved
A25548	Python XL, 2-1/2 in Air Motor, 5/8 in Plunger, Ceramic Coated, TFE/P Seals, ATEX Approved
A25549	Python XL, 2-1/2 in Air Motor, 3/4 in Plunger, Ceramic Coated, TFE/P Seals, ATEX Approved
A25300	Python XL, 3-1/2 in Air Motor, 1/4 in Plunger, Chromex Coated, FKM Seals, CE Approved
A25316	Python XL, 3-1/2 in Air Motor, 3/8 in Plunger, Chromex Coated, FKM Seals, CE Approved
A25312	Python XL, 3-1/2 in Air Motor, 1/2 in Plunger, Chromex Coated, FKM Seals, CE Approved
A25308	Python XL, 3-1/2 in Air Motor, 5/8 in Plunger, Chromex Coated, FKM Seals, CE Approved

# Python® XL Pneumatically Operated Pumps

(continued)

## Ordering Information

Part Number	Description
A25304	Python XL, 3-1/2 in Air Motor, 3/4 in Plunger, Chromex Coated, FKM Seals, CE Approved
A25305	Python XL, 3-1/2 in Air Motor, 1/4 in Plunger, Chromex Coated, FKM-ETP Seals, CE Approved
A25301	Python XL, 3-1/2 in Air Motor, 3/8 in Plunger, Chromex Coated, FKM-ETP Seals, CE Approved
A25317	Python XL, 3-1/2 in Air Motor, 1/2 in Plunger, Chromex Coated, FKM-ETP Seals, CE Approved
A25313	Python XL, 3-1/2 in Air Motor, 5/8 in Plunger, Chromex Coated, FKM-ETP Seals, CE Approved
A25309	Python XL, 3-1/2 in Air Motor, 3/4 in Plunger, Chromex Coated, FKM-ETP Seals, CE Approved
A25310	Python XL, 3-1/2 in Air Motor, 1/4 in Plunger, Chromex Coated, HNBR Seals, CE Approved
A25306	Python XL, 3-1/2 in Air Motor, 3/8 in Plunger, Chromex Coated, HNBR Seals, CE Approved
A25302	Python XL, 3-1/2 in Air Motor, 1/2 in Plunger, Chromex Coated, HNBR Seals, CE Approved
A25318	Python XL, 3-1/2 in Air Motor, 5/8 in Plunger, Chromex Coated, HNBR Seals, CE Approved
A25314	Python XL, 3-1/2 in Air Motor, 3/4 in Plunger, Chromex Coated, HNBR Seals, CE Approved
A25315	Python XL, 3-1/2 in Air Motor, 1/4 in Plunger, Chromex Coated, FFKM Seals, CE Approved
A25311	Python XL, 3-1/2 in Air Motor, 3/8 in Plunger, Chromex Coated, FFKM Seals, CE Approved
A25307	Python XL, 3-1/2 in Air Motor, 1/2 in Plunger, Chromex Coated, FFKM Seals, CE Approved
A25303	Python XL, 3-1/2 in Air Motor, 5/8 in Plunger, Chromex Coated, FFKM Seals, CE Approved
A25319	Python XL, 3-1/2 in Air Motor, 3/4 in Plunger, Chromex Coated, FFKM Seals, CE Approved
A25380	Python XL, 3-1/2 in Air Motor, 1/4 in Plunger, Chromex Coated, TFE/P Seals, CE Approved
A25381	Python XL, 3-1/2 in Air Motor, 3/8 in Plunger, Chromex Coated, TFE/P Seals, CE Approved
A25382	Python XL, 3-1/2 in Air Motor, 1/2 in Plunger, Chromex Coated, TFE/P Seals, CE Approved
A25383	Python XL, 3-1/2 in Air Motor, 5/8 in Plunger, Chromex Coated, TFE/P Seals, CE Approved
A25384	Python XL, 3-1/2 in Air Motor, 3/4 in Plunger, Chromex Coated, TFE/P Seals, CE Approved
A25320	Python XL, 3-1/2 in Air Motor, 1/4 in Plunger, Ceramic Coated, FKM Seals, CE Approved
A25336	Python XL, 3-1/2 in Air Motor, 3/8 in Plunger, Ceramic Coated, FKM Seals, CE Approved
A25332	Python XL, 3-1/2 in Air Motor, 1/2 in Plunger, Ceramic Coated, FKM Seals, CE Approved

## Ordering Information

Part Number	Description
A25328	Python XL, 3-1/2 in Air Motor, 5/8 in Plunger, Ceramic Coated, FKM Seals, CE Approved
A25324	Python XL, 3-1/2 in Air Motor, 3/4 in Plunger, Ceramic Coated, FKM Seals, CE Approved
A25325	Python XL, 3-1/2 in Air Motor, 1/4 in Plunger, Ceramic Coated, FKM-ETP Seals, CE Approved
A25321	Python XL, 3-1/2 in Air Motor, 3/8 in Plunger, Ceramic Coated, FKM-ETP Seals, CE Approved
A25337	Python XL, 3-1/2 in Air Motor, 1/2 in Plunger, Ceramic Coated, FKM-ETP Seals, CE Approved
A25333	Python XL, 3-1/2 in Air Motor, 5/8 in Plunger, Ceramic Coated, FKM-ETP Seals, CE Approved
A25329	Python XL, 3-1/2 in Air Motor, 3/4 in Plunger, Ceramic Coated, FKM-ETP Seals, CE Approved
A25330	Python XL, 3-1/2 in Air Motor, 1/4 in Plunger, Ceramic Coated, HNBR Seals, CE Approved
A25326	Python XL, 3-1/2 in Air Motor, 3/8 in Plunger, Ceramic Coated, HNBR Seals, CE Approved
A25322	Python XL, 3-1/2 in Air Motor, 1/2 in Plunger, Ceramic Coated, HNBR Seals, CE Approved
A25338	Python XL, 3-1/2 in Air Motor, 5/8 in Plunger, Ceramic Coated, HNBR Seals, CE Approved
A25334	Python XL, 3-1/2 in Air Motor, 3/4 in Plunger, Ceramic Coated, HNBR Seals, CE Approved
A25335	Python XL, 3-1/2 in Air Motor, 1/4 in Plunger, Ceramic Coated, FFKM Seals, CE Approved
A25331	Python XL, 3-1/2 in Air Motor, 3/8 in Plunger, Ceramic Coated, FFKM Seals, CE Approved
A25327	Python XL, 3-1/2 in Air Motor, 1/2 in Plunger, Ceramic Coated, FFKM Seals, CE Approved
A25323	Python XL, 3-1/2 in Air Motor, 5/8 in Plunger, Ceramic Coated, FFKM Seals, CE Approved
A25339	Python XL, 3-1/2 in Air Motor, 3/4 in Plunger, Ceramic Coated, FFKM Seals, CE Approved
A25385	Python XL, 3-1/2 in Air Motor, 1/4 in Plunger, Ceramic Coated, TFE/P Seals, CE Approved
A25386	Python XL, 3-1/2 in Air Motor, 3/8 in Plunger, Ceramic Coated, TFE/P Seals, CE Approved
A25387	Python XL, 3-1/2 in Air Motor, 1/2 in Plunger, Ceramic Coated, TFE/P Seals, CE Approved
A25388	Python XL, 3-1/2 in Air Motor, 5/8 in Plunger, Ceramic Coated, TFE/P Seals, CE Approved
A25389	Python XL, 3-1/2 in Air Motor, 3/4 in Plunger, Ceramic Coated, TFE/P Seals, CE Approved
A25340	Python XL, 3-1/2 in Air Motor, 1/4 in Plunger, Chromex Coated, FKM Seals, ATEX Approved
A25356	Python XL, 3-1/2 in Air Motor, 3/8 in Plunger, Chromex Coated, FKM Seals, ATEX Approved

# Python® XL Pneumatically Operated Pumps

(continued)

## Ordering Information

Part Number	Description
A25352	Python XL, 3-1/2 in Air Motor, 1/2 in Plunger, Chromex Coated, FKM Seals, ATEX Approved
A25348	Python XL, 3-1/2 in Air Motor, 5/8 in Plunger, Chromex Coated, FKM Seals, ATEX Approved
A25344	Python XL, 3-1/2 in Air Motor, 3/4 in Plunger, Chromex Coated, FKM Seals, ATEX Approved
A25345	Python XL, 3-1/2 in Air Motor, 1/4 in Plunger, Chromex Coated, FKM-ETP Seals, ATEX Approved
A25341	Python XL, 3-1/2 in Air Motor, 3/8 in Plunger, Chromex Coated, FKM-ETP Seals, ATEX Approved
A25357	Python XL, 3-1/2 in Air Motor, 1/2 in Plunger, Chromex Coated, FKM-ETP Seals, ATEX Approved
A25353	Python XL, 3-1/2 in Air Motor, 5/8 in Plunger, Chromex Coated, FKM-ETP Seals, ATEX Approved
A25349	Python XL, 3-1/2 in Air Motor, 3/4 in Plunger, Chromex Coated, FKM-ETP Seals, ATEX Approved
A25350	Python XL, 3-1/2 in Air Motor, 1/4 in Plunger, Chromex Coated, HNBR Seals, ATEX Approved
A25346	Python XL, 3-1/2 in Air Motor, 3/8 in Plunger, Chromex Coated, HNBR Seals, ATEX Approved
A25342	Python XL, 3-1/2 in Air Motor, 1/2 in Plunger, Chromex Coated, HNBR Seals, ATEX Approved
A25358	Python XL, 3-1/2 in Air Motor, 5/8 in Plunger, Chromex Coated, HNBR Seals, ATEX Approved
A25354	Python XL, 3-1/2 in Air Motor, 3/4 in Plunger, Chromex Coated, HNBR Seals, ATEX Approved
A25355	Python XL, 3-1/2 in Air Motor, 1/4 in Plunger, Chromex Coated, FFKM Seals, ATEX Approved
A25351	Python XL, 3-1/2 in Air Motor, 3/8 in Plunger, Chromex Coated, FFKM Seals, ATEX Approved
A25347	Python XL, 3-1/2 in Air Motor, 1/2 in Plunger, Chromex Coated, FFKM Seals, ATEX Approved
A25343	Python XL, 3-1/2 in Air Motor, 5/8 in Plunger, Chromex Coated, FFKM Seals, ATEX Approved
A25359	Python XL, 3-1/2 in Air Motor, 3/4 in Plunger, Chromex Coated, FFKM Seals, ATEX Approved
A25390	Python XL, 3-1/2 in Air Motor, 1/4 in Plunger, Chromex Coated, TFE/P Seals, ATEX Approved
A25391	Python XL, 3-1/2 in Air Motor, 3/8 in Plunger, Chromex Coated, TFE/P Seals, ATEX Approved
A25392	Python XL, 3-1/2 in Air Motor, 1/2 in Plunger, Chromex Coated, TFE/P Seals, ATEX Approved
A25393	Python XL, 3-1/2 in Air Motor, 5/8 in Plunger, Chromex Coated, TFE/P Seals, ATEX Approved
A25394	Python XL, 3-1/2 in Air Motor, 3/4 in Plunger, Chromex Coated, TFE/P Seals, ATEX Approved
A25360	Python XL, 3-1/2 in Air Motor, 1/4 in Plunger, Ceramic Coated, FKM Seals, ATEX Approved

## Ordering Information

Part Number	Description
A25376	Python XL, 3-1/2 in Air Motor, 3/8 in Plunger, Ceramic Coated, FKM Seals, ATEX Approved
A25372	Python XL, 3-1/2 in Air Motor, 1/2 in Plunger, Ceramic Coated, FKM Seals, ATEX Approved
A25368	Python XL, 3-1/2 in Air Motor, 5/8 in Plunger, Ceramic Coated, FKM Seals, ATEX Approved
A25364	Python XL, 3-1/2 in Air Motor, 3/4 in Plunger, Ceramic Coated, FKM Seals, ATEX Approved
A25365	Python XL, 3-1/2 in Air Motor, 1/4 in Plunger, Ceramic Coated, FKM-ETP Seals, ATEX Approved
A25361	Python XL, 3-1/2 in Air Motor, 3/8 in Plunger, Ceramic Coated, FKM-ETP Seals, ATEX Approved
A25377	Python XL, 3-1/2 in Air Motor, 1/2 in Plunger, Ceramic Coated, FKM-ETP Seals, ATEX Approved
A25373	Python XL, 3-1/2 in Air Motor, 5/8 in Plunger, Ceramic Coated, FKM-ETP Seals, ATEX Approved
A25369	Python XL, 3-1/2 in Air Motor, 3/4 in Plunger, Ceramic Coated, FKM-ETP Seals, ATEX Approved
A25370	Python XL, 3-1/2 in Air Motor, 1/4 in Plunger, Ceramic Coated, HNBR Seals, ATEX Approved
A25366	Python XL, 3-1/2 in Air Motor, 3/8 in Plunger, Ceramic Coated, HNBR Seals, ATEX Approved
A25362	Python XL, 3-1/2 in Air Motor, 1/2 in Plunger, Ceramic Coated, HNBR Seals, ATEX Approved
A25378	Python XL, 3-1/2 in Air Motor, 5/8 in Plunger, Ceramic Coated, HNBR Seals, ATEX Approved
A25374	Python XL, 3-1/2 in Air Motor, 3/4 in Plunger, Ceramic Coated, HNBR Seals, ATEX Approved
A25375	Python XL, 3-1/2 in Air Motor, 1/4 in Plunger, Ceramic Coated, FFKM Seals, ATEX Approved
A25371	Python XL, 3-1/2 in Air Motor, 3/8 in Plunger, Ceramic Coated, FFKM Seals, ATEX Approved
A25367	Python XL, 3-1/2 in Air Motor, 1/2 in Plunger, Ceramic Coated, FFKM Seals, ATEX Approved
A25363	Python XL, 3-1/2 in Air Motor, 5/8 in Plunger, Ceramic Coated, FFKM Seals, ATEX Approved
A25379	Python XL, 3-1/2 in Air Motor, 3/4 in Plunger, Ceramic Coated, FFKM Seals, ATEX Approved
A25395	Python XL, 3-1/2 in Air Motor, 1/4 in Plunger, Ceramic Coated, TFE/P Seals, ATEX Approved
A25396	Python XL, 3-1/2 in Air Motor, 3/8 in Plunger, Ceramic Coated, TFE/P Seals, ATEX Approved
A25397	Python XL, 3-1/2 in Air Motor, 1/2 in Plunger, Ceramic Coated, TFE/P Seals, ATEX Approved
A25398	Python XL, 3-1/2 in Air Motor, 5/8 in Plunger, Ceramic Coated, TFE/P Seals, ATEX Approved
A25399	Python XL, 3-1/2 in Air Motor, 3/4 in Plunger, Ceramic Coated, TFE/P Seals, ATEX Approved



# Python® XL Pneumatically Operated Pumps

## (continued)

### Ordering Information

Part Number	Description
A25400	Python XL, 4-1/2 in Air Motor, 1/4 in Plunger, Chromex Coated, FKM Seals, CE Approved
A25401	Python XL, 4-1/2 in Air Motor, 3/8 in Plunger, Chromex Coated, FKM Seals, CE Approved
A25402	Python XL, 4-1/2 in Air Motor, 1/2 in Plunger, Chromex Coated, FKM Seals, CE Approved
A25403	Python XL, 4-1/2 in Air Motor, 5/8 in Plunger, Chromex Coated, FKM Seals, CE Approved
A25404	Python XL, 4-1/2 in Air Motor, 3/4 in Plunger, Chromex Coated, FKM Seals, CE Approved
A25405	Python XL, 4-1/2 in Air Motor, 1/4 in Plunger, Chromex Coated, FKM-ETP Seals, CE Approved
A25406	Python XL, 4-1/2 in Air Motor, 3/8 in Plunger, Chromex Coated, FKM-ETP Seals, CE Approved
A25407	Python XL, 4-1/2 in Air Motor, 1/2 in Plunger, Chromex Coated, FKM-ETP Seals, CE Approved
A25408	Python XL, 4-1/2 in Air Motor, 5/8 in Plunger, Chromex Coated, FKM-ETP Seals, CE Approved
A25409	Python XL, 4-1/2 in Air Motor, 3/4 in Plunger, Chromex Coated, FKM-ETP Seals, CE Approved
A25410	Python XL, 4-1/2 in Air Motor, 1/4 in Plunger, Chromex Coated, HNBR Seals, CE Approved
A25411	Python XL, 4-1/2 in Air Motor, 3/8 in Plunger, Chromex Coated, HNBR Seals, CE Approved
A25412	Python XL, 4-1/2 in Air Motor, 1/2 in Plunger, Chromex Coated, HNBR Seals, CE Approved
A25413	Python XL, 4-1/2 in Air Motor, 5/8 in Plunger, Chromex Coated, HNBR Seals, CE Approved
A25414	Python XL, 4-1/2 in Air Motor, 3/4 in Plunger, Chromex Coated, HNBR Seals, CE Approved
A25415	Python XL, 4-1/2 in Air Motor, 1/4 in Plunger, Chromex Coated, FFKM Seals, CE Approved
A25416	Python XL, 4-1/2 in Air Motor, 3/8 in Plunger, Chromex Coated, FFKM Seals, CE Approved
A25417	Python XL, 4-1/2 in Air Motor, 1/2 in Plunger, Chromex Coated, FFKM Seals, CE Approved
A25418	Python XL, 4-1/2 in Air Motor, 5/8 in Plunger, Chromex Coated, FFKM Seals, CE Approved
A25419	Python XL, 4-1/2 in Air Motor, 3/4 in Plunger, Chromex Coated, FFKM Seals, CE Approved
A25440	Python XL, 4-1/2 in Air Motor, 1/4 in Plunger, Chromex Coated, TFE/P Seals, CE Approved
A25441	Python XL, 4-1/2 in Air Motor, 3/8 in Plunger, Chromex Coated, TFE/P Seals, CE Approved
A25442	Python XL, 4-1/2 in Air Motor, 1/2 in Plunger, Chromex Coated, TFE/P Seals, CE Approved
A25443	Python XL, 4-1/2 in Air Motor, 5/8 in Plunger, Chromex Coated, TFE/P Seals, CE Approved

### Ordering Information

Part Number	Description
A25444	Python XL, 4-1/2 in Air Motor, 3/4 in Plunger, Chromex Coated, TFE/P Seals, CE Approved
A25420	Python XL, 4-1/2 in Air Motor, 1/4 in Plunger, Ceramic Coated, FKM Seals, CE Approved
A25421	Python XL, 4-1/2 in Air Motor, 3/8 in Plunger, Ceramic Coated, FKM Seals, CE Approved
A25422	Python XL, 4-1/2 in Air Motor, 1/2 in Plunger, Ceramic Coated, FKM Seals, CE Approved
A25423	Python XL, 4-1/2 in Air Motor, 5/8 in Plunger, Ceramic Coated, FKM Seals, CE Approved
A25424	Python XL, 4-1/2 in Air Motor, 3/4 in Plunger, Ceramic Coated, FKM Seals, CE Approved
A25425	Python XL, 4-1/2 in Air Motor, 1/4 in Plunger, Ceramic Coated, FKM-ETP Seals, CE Approved
A25426	Python XL, 4-1/2 in Air Motor, 3/8 in Plunger, Ceramic Coated, FKM-ETP Seals, CE Approved
A25427	Python XL, 4-1/2 in Air Motor, 1/2 in Plunger, Ceramic Coated, FKM-ETP Seals, CE Approved
A25428	Python XL, 4-1/2 in Air Motor, 5/8 in Plunger, Ceramic Coated, FKM-ETP Seals, CE Approved
A25429	Python XL, 4-1/2 in Air Motor, 3/4 in Plunger, Ceramic Coated, FKM-ETP Seals, CE Approved
A25430	Python XL, 4-1/2 in Air Motor, 1/4 in Plunger, Ceramic Coated, HNBR Seals, CE Approved
A25431	Python XL, 4-1/2 in Air Motor, 3/8 in Plunger, Ceramic Coated, HNBR Seals, CE Approved
A25432	Python XL, 4-1/2 in Air Motor, 1/2 in Plunger, Ceramic Coated, HNBR Seals, CE Approved
A25433	Python XL, 4-1/2 in Air Motor, 5/8 in Plunger, Ceramic Coated, HNBR Seals, CE Approved
A25434	Python XL, 4-1/2 in Air Motor, 3/4 in Plunger, Ceramic Coated, HNBR Seals, CE Approved
A25435	Python XL, 4-1/2 in Air Motor, 1/4 in Plunger, Ceramic Coated, FFKM Seals, CE Approved
A25436	Python XL, 4-1/2 in Air Motor, 3/8 in Plunger, Ceramic Coated, FFKM Seals, CE Approved
A25437	Python XL, 4-1/2 in Air Motor, 1/2 in Plunger, Ceramic Coated, FFKM Seals, CE Approved
A25438	Python XL, 4-1/2 in Air Motor, 5/8 in Plunger, Ceramic Coated, FFKM Seals, CE Approved
A25439	Python XL, 4-1/2 in Air Motor, 3/4 in Plunger, Ceramic Coated, FFKM Seals, CE Approved
A25445	Python XL, 4-1/2 in Air Motor, 1/4 in Plunger, Ceramic Coated, TFE/P Seals, CE Approved
A25446	Python XL, 4-1/2 in Air Motor, 3/8 in Plunger, Ceramic Coated, TFE/P Seals, CE Approved
A25447	Python XL, 4-1/2 in Air Motor, 1/2 in Plunger, Ceramic Coated, TFE/P Seals, CE Approved

# Python® XL Pneumatically Operated Pumps

(continued)

## Ordering Information

Part Number	Description
A25448	Python XL, 4-1/2 in Air Motor, 5/8 in Plunger, Ceramic Coated, TFE/P Seals, CE Approved
A25449	Python XL, 4-1/2 in Air Motor, 3/4 in Plunger, Ceramic Coated, TFE/P Seals, CE Approved
A25800	Python XL, 4-1/2 in Air Motor, 1/4 in Plunger, Chromex Coated, FKM Seals, ATEX Approved
A25801	Python XL, 4-1/2 in Air Motor, 3/8 in Plunger, Chromex Coated, FKM Seals, ATEX Approved
A25802	Python XL, 4-1/2 in Air Motor, 1/2 in Plunger, Chromex Coated, FKM Seals, ATEX Approved
A25803	Python XL, 4-1/2 in Air Motor, 5/8 in Plunger, Chromex Coated, FKM Seals, ATEX Approved
A25804	Python XL, 4-1/2 in Air Motor, 3/4 in Plunger, Chromex Coated, FKM Seals, ATEX Approved
A25805	Python XL, 4-1/2 in Air Motor, 1/4 in Plunger, Chromex Coated, FKM-ETP Seals, ATEX Approved
A25806	Python XL, 4-1/2 in Air Motor, 3/8 in Plunger, Chromex Coated, FKM-ETP Seals, ATEX Approved
A25807	Python XL, 4-1/2 in Air Motor, 1/2 in Plunger, Chromex Coated, FKM-ETP Seals, ATEX Approved
A25808	Python XL, 4-1/2 in Air Motor, 5/8 in Plunger, Chromex Coated, FKM-ETP Seals, ATEX Approved
A25809	Python XL, 4-1/2 in Air Motor, 3/4 in Plunger, Chromex Coated, FKM-ETP Seals, ATEX Approved
A25810	Python XL, 4-1/2 in Air Motor, 1/4 in Plunger, Chromex Coated, HNBR Seals, ATEX Approved
A25811	Python XL, 4-1/2 in Air Motor, 3/8 in Plunger, Chromex Coated, HNBR Seals, ATEX Approved
A25812	Python XL, 4-1/2 in Air Motor, 1/2 in Plunger, Chromex Coated, HNBR Seals, ATEX Approved
A25813	Python XL, 4-1/2 in Air Motor, 5/8 in Plunger, Chromex Coated, HNBR Seals, ATEX Approved
A25814	Python XL, 4-1/2 in Air Motor, 3/4 in Plunger, Chromex Coated, HNBR Seals, ATEX Approved
A25815	Python XL, 4-1/2 in Air Motor, 1/4 in Plunger, Chromex Coated, FFKM Seals, ATEX Approved
A25816	Python XL, 4-1/2 in Air Motor, 3/8 in Plunger, Chromex Coated, FFKM Seals, ATEX Approved
A25817	Python XL, 4-1/2 in Air Motor, 1/2 in Plunger, Chromex Coated, FFKM Seals, ATEX Approved
A25818	Python XL, 4-1/2 in Air Motor, 5/8 in Plunger, Chromex Coated, FFKM Seals, ATEX Approved
A25819	Python XL, 4-1/2 in Air Motor, 3/4 in Plunger, Chromex Coated, FFKM Seals, ATEX Approved
A25840	Python XL, 4-1/2 in Air Motor, 1/4 in Plunger, Chromex Coated, TFE/P Seals, ATEX Approved
A25841	Python XL, 4-1/2 in Air Motor, 3/8 in Plunger, Chromex Coated, TFE/P Seals, ATEX Approved

## Ordering Information

Part Number	Description
A25842	Python XL, 4-1/2 in Air Motor, 1/2 in Plunger, Chromex Coated, TFE/P Seals, ATEX Approved
A25843	Python XL, 4-1/2 in Air Motor, 5/8 in Plunger, Chromex Coated, TFE/P Seals, ATEX Approved
A25844	Python XL, 4-1/2 in Air Motor, 3/4 in Plunger, Chromex Coated, TFE/P Seals, ATEX Approved
A25820	Python XL, 4-1/2 in Air Motor, 1/4 in Plunger, Ceramic Coated, FKM Seals, ATEX Approved
A25821	Python XL, 4-1/2 in Air Motor, 3/8 in Plunger, Ceramic Coated, FKM Seals, ATEX Approved
A25822	Python XL, 4-1/2 in Air Motor, 1/2 in Plunger, Ceramic Coated, FKM Seals, ATEX Approved
A25823	Python XL, 4-1/2 in Air Motor, 5/8 in Plunger, Ceramic Coated, FKM Seals, ATEX Approved
A25824	Python XL, 4-1/2 in Air Motor, 3/4 in Plunger, Ceramic Coated, FKM Seals, ATEX Approved
A25825	Python XL, 4-1/2 in Air Motor, 1/4 in Plunger, Ceramic Coated, FKM-ETP Seals, ATEX Approved
A25826	Python XL, 4-1/2 in Air Motor, 3/8 in Plunger, Ceramic Coated, FKM-ETP Seals, ATEX Approved
A25827	Python XL, 4-1/2 in Air Motor, 1/2 in Plunger, Ceramic Coated, FKM-ETP Seals, ATEX Approved
A25828	Python XL, 4-1/2 in Air Motor, 5/8 in Plunger, Ceramic Coated, FKM-ETP Seals, ATEX Approved
A25829	Python XL, 4-1/2 in Air Motor, 3/4 in Plunger, Ceramic Coated, FKM-ETP Seals, ATEX Approved
A25830	Python XL, 4-1/2 in Air Motor, 1/4 in Plunger, Ceramic Coated, HNBR Seals, ATEX Approved
A25831	Python XL, 4-1/2 in Air Motor, 3/8 in Plunger, Ceramic Coated, HNBR Seals, ATEX Approved
A25832	Python XL, 4-1/2 in Air Motor, 1/2 in Plunger, Ceramic Coated, HNBR Seals, ATEX Approved
A25833	Python XL, 4-1/2 in Air Motor, 5/8 in Plunger, Ceramic Coated, HNBR Seals, ATEX Approved
A25834	Python XL, 4-1/2 in Air Motor, 3/4 in Plunger, Ceramic Coated, HNBR Seals, ATEX Approved
A25835	Python XL, 4-1/2 in Air Motor, 1/4 in Plunger, Ceramic Coated, FFKM Seals, ATEX Approved
A25836	Python XL, 4-1/2 in Air Motor, 3/8 in Plunger, Ceramic Coated, FFKM Seals, ATEX Approved
A25837	Python XL, 4-1/2 in Air Motor, 1/2 in Plunger, Ceramic Coated, FFKM Seals, ATEX Approved
A25838	Python XL, 4-1/2 in Air Motor, 5/8 in Plunger, Ceramic Coated, FFKM Seals, ATEX Approved
A25839	Python XL, 4-1/2 in Air Motor, 3/4 in Plunger, Ceramic Coated, FFKM Seals, ATEX Approved
A25845	Python XL, 4-1/2 in Air Motor, 1/4 in Plunger, Ceramic Coated, TFE/P Seals, ATEX Approved

# Python® XL Pneumatically Operated Pumps

(continued)

---

## Ordering Information

Part Number	Description
A25846	Python XL, 4-1/2 in Air Motor, 3/8 in Plunger, Ceramic Coated, TFE/P Seals, ATEX Approved
A25847	Python XL, 4-1/2 in Air Motor, 1/2 in Plunger, Ceramic Coated, TFE/P Seals, ATEX Approved
A25848	Python XL, 4-1/2 in Air Motor, 5/8 in Plunger, Ceramic Coated, TFE/P Seals, ATEX Approved
A25849	Python XL, 4-1/2 in Air Motor, 3/4 in Plunger, Ceramic Coated, TFE/P Seals, ATEX Approved

# Python® XL Pneumatically Operated Pumps

## Pump Lowerers

### Ordering Information

Part Number	Description
A25900	Python XL Pump Lower, 1/4 in, FKM, Chromex
A25901	Python XL Pump Lower, 3/8 in, FKM, Chromex
A25902	Python XL Pump Lower, 1/2 in, FKM, Chromex
A25903	Python XL Pump Lower, 5/8 in, FKM, Chromex
A25904	Python XL Pump Lower, 3/4 in, FKM, Chromex
A25905	Python XL Pump Lower, 1/4 in, FKM-ETP, Chromex
A25906	Python XL Pump Lower, 3/8 in, FKM-ETP, Chromex
A25907	Python XL Pump Lower, 1/2 in, FKM-ETP, Chromex
A25908	Python XL Pump Lower, 5/8 in, FKM-ETP, Chromex
A25909	Python XL Pump Lower, 3/4 in, FKM-ETP, Chromex
A25910	Python XL Pump Lower, 1/4 in, HNBR, Chromex
A25911	Python XL Pump Lower, 3/8 in, HNBR, Chromex
A25912	Python XL Pump Lower, 1/2 in, HNBR, Chromex
A25913	Python XL Pump Lower, 5/8 in, HNBR, Chromex
A25914	Python XL Pump Lower, 3/4 in, HNBR, Chromex
A25915	Python XL Pump Lower, 1/4 in, FFKM, Chromex
A25916	Python XL Pump Lower, 3/8 in, FFKM, Chromex
A25917	Python XL Pump Lower, 1/2 in, FFKM, Chromex
A25918	Python XL Pump Lower, 5/8 in, FFKM, Chromex
A25919	Python XL Pump Lower, 3/4 in, FFKM, Chromex
A25940	Python XL Pump Lower, 1/4 in, TFE/P, Chromex
A25941	Python XL Pump Lower, 3/8 in, TFE/P, Chromex
A25942	Python XL Pump Lower, 1/2 in, TFE/P, Chromex
A25943	Python XL Pump Lower, 5/8 in, TFE/P, Chromex
A25944	Python XL Pump Lower, 3/4 in, TFE/P, Chromex
A25950	Python XL Pump Lower, 3/16 in, FKM, Chromex
A25951	Python XL Pump Lower, 3/16 in, FKM-ETP, Chromex
A25952	Python XL Pump Lower, 3/16 in, HNBR, Chromex
A25953	Python XL Pump Lower, 3/16 in, FFKM, Chromex
A25954	Python XL Pump Lower, 3/16 in, FKM, Chromex
A25955	Python XL Pump Lower, 1/8 in, FKM, Chromex
A25956	Python XL Pump Lower, 1/8 in, FKM-ETP, Chromex
A25957	Python XL Pump Lower, 1/8 in, HNBR, Chromex
A25958	Python XL Pump Lower, 1/8 in, FFKM, Chromex
A25959	Python XL Pump Lower, 1/8 in, FKM, Chromex

### Ordering Information

Part Number	Description
A25920	Python XL Pump Lower, 1/4 in, FKM, Ceramic
A25921	Python XL Pump Lower, 3/8 in, FKM, Ceramic
A25922	Python XL Pump Lower, 1/2 in, FKM, Ceramic
A25923	Python XL Pump Lower, 5/8 in, FKM, Ceramic
A25924	Python XL Pump Lower, 3/4 in, FKM, Ceramic
A25925	Python XL Pump Lower, 1/4 in, FKM-ETP, Ceramic
A25926	Python XL Pump Lower, 3/8 in, FKM-ETP, Ceramic
A25927	Python XL Pump Lower, 1/2 in, FKM-ETP, Ceramic
A25928	Python XL Pump Lower, 5/8 in, FKM-ETP, Ceramic
A25929	Python XL Pump Lower, 3/4 in, FKM-ETP, Ceramic
A25930	Python XL Pump Lower, 1/4 in, HNBR, Ceramic
A25931	Python XL Pump Lower, 3/8 in, HNBR, Ceramic
A25932	Python XL Pump Lower, 1/2 in, HNBR, Ceramic
A25933	Python XL Pump Lower, 5/8 in, HNBR, Ceramic
A25934	Python XL Pump Lower, 3/4 in, HNBR, Ceramic
A25935	Python XL Pump Lower, 1/4 in, FFKM, Ceramic
A25936	Python XL Pump Lower, 3/8 in, FFKM, Ceramic
A25937	Python XL Pump Lower, 1/2 in, FFKM, Ceramic
A25938	Python XL Pump Lower, 5/8 in, FFKM, Ceramic
A25939	Python XL Pump Lower, 3/4 in, FFKM, Ceramic
A25945	Python XL Pump Lower, 1/4 in, TFE/P, Ceramic
A25946	Python XL Pump Lower, 3/8 in, TFE/P, Ceramic
A25947	Python XL Pump Lower, 1/2 in, TFE/P, Ceramic
A25948	Python XL Pump Lower, 5/8 in, TFE/P, Ceramic
A25949	Python XL Pump Lower, 3/4 in, TFE/P, Ceramic
A25960	Python XL Pump Lower, 3/16 in, FKM, Ceramic
A25961	Python XL Pump Lower, 3/16 in, FKM-ETP, Ceramic
A25962	Python XL Pump Lower, 3/16 in, HNBR, Ceramic
A25963	Python XL Pump Lower, 3/16 in, FFKM, Ceramic
A25964	Python XL Pump Lower, 3/16 in, FKM, Ceramic
A25965	Python XL Pump Lower, 1/8 in, FKM, Ceramic
A25966	Python XL Pump Lower, 1/8 in, FKM-ETP, Ceramic
A25967	Python XL Pump Lower, 1/8 in, HNBR, Ceramic
A25968	Python XL Pump Lower, 1/8 in, FFKM, Ceramic
A25969	Python XL Pump Lower, 1/8 in, FKM, Ceramic

# Python® XL Pneumatically Operated Pumps

## Pump Lowerers

### Ordering Information

Part Number	Description
A25555	Python XL, 2-1/2 in Air Motor, 3/16 in Plunger, Chromex Coated, FKM Seals, ATEX Approved
A25550	Python XL, 2-1/2 in Air Motor, 1/8 in Plunger, Chromex Coated, FKM Seals, ATEX Approved
A25500	Python XL, 2-1/2 in Air Motor, 1/4 in Plunger, Chromex Coated, FKM Seals, ATEX Approved
A25501	Python XL, 2-1/2 in Air Motor, 3/8 in Plunger, Chromex Coated, FKM Seals, ATEX Approved
A25502	Python XL, 2-1/2 in Air Motor, 1/2 in Plunger, Chromex Coated, FKM Seals, ATEX Approved
A25503	Python XL, 2-1/2 in Air Motor, 5/8 in Plunger, Chromex Coated, FKM Seals, ATEX Approved
A25504	Python XL, 2-1/2 in Air Motor, 3/4 in Plunger, Chromex Coated, FKM Seals, ATEX Approved
A25556	Python XL, 2-1/2 in Air Motor, 3/16 in Plunger, Chromex Coated, FKM-ETP Seals, ATEX Approved
A25551	Python XL, 2-1/2 in Air Motor, 1/8 in Plunger, Chromex Coated, FKM-ETP Seals, ATEX Approved
A25505	Python XL, 2-1/2 in Air Motor, 1/4 in Plunger, Chromex Coated, FKM-ETP Seals, ATEX Approved
A25506	Python XL, 2-1/2 in Air Motor, 3/8 in Plunger, Chromex Coated, FKM-ETP Seals, ATEX Approved
A25507	Python XL, 2-1/2 in Air Motor, 1/2 in Plunger, Chromex Coated, FKM-ETP Seals, ATEX Approved
A25508	Python XL, 2-1/2 in Air Motor, 5/8 in Plunger, Chromex Coated, FKM-ETP Seals, ATEX Approved
A25509	Python XL, 2-1/2 in Air Motor, 3/4 in Plunger, Chromex Coated, FKM-ETP Seals, ATEX Approved
A25557	Python XL, 2-1/2 in Air Motor, 3/16 in Plunger, Chromex Coated, HNBR Seals, ATEX Approved
A25552	Python XL, 2-1/2 in Air Motor, 1/8 in Plunger, Chromex Coated, HNBR Seals, ATEX Approved
A25510	Python XL, 2-1/2 in Air Motor, 1/4 in Plunger, Chromex Coated, HNBR Seals, ATEX Approved
A25511	Python XL, 2-1/2 in Air Motor, 3/8 in Plunger, Chromex Coated, HNBR Seals, ATEX Approved
A25512	Python XL, 2-1/2 in Air Motor, 1/2 in Plunger, Chromex Coated, HNBR Seals, ATEX Approved
A25513	Python XL, 2-1/2 in Air Motor, 5/8 in Plunger, Chromex Coated, HNBR Seals, ATEX Approved
A25514	Python XL, 2-1/2 in Air Motor, 3/4 in Plunger, Chromex Coated, HNBR Seals, ATEX Approved
A25558	Python XL, 2-1/2 in Air Motor, 3/16 in Plunger, Chromex Coated, FFKM Seals, ATEX Approved
A25553	Python XL, 2-1/2 in Air Motor, 1/8 in Plunger, Chromex Coated, FFKM Seals, ATEX Approved
A25515	Python XL, 2-1/2 in Air Motor, 1/4 in Plunger, Chromex Coated, FFKM Seals, ATEX Approved

### Ordering Information

Part Number	Description
A25516	Python XL, 2-1/2 in Air Motor, 3/8 in Plunger, Chromex Coated, FFKM Seals, ATEX Approved
A25517	Python XL, 2-1/2 in Air Motor, 1/2 in Plunger, Chromex Coated, FFKM Seals, ATEX Approved

# Python® XL Pneumatically Operated Pumps

## Quick Reference Chart

### Fluid Plungers

Coating / Plunger Size	1/8 in	3/16 in	1/4 in	3/8 in	1/2 in	5/8 in	3/4 in
Chromex	B32826	B32827	B32254	B32255	B32256	B32257	B32258
Ceramic	B32828	B32829	B32259	B32260	B32261	B32262	B32263

### Fluid Cylinders

Plunger Size	1/8 in	3/16 in	1/4 in	3/8 in	1/2 in	5/8 in	3/4 in
	B32180	B32181	B32275	B32183	B32184	B32185	B32180

### Packing Stacks including Plunger Bearings

Material / Plunger Size	1/8 in	3/16 in	1/4 in	3/8 in	1/2 in	5/8 in	3/4 in
FKM	B32115	B32119	B32094	B32098	B32102	B32123	B32127
FKM-ETP	B32116	B32120	B32095	B32099	B32103	B32124	B32128
HNBR	B32117	B32121	B32096	B32100	B32104	B32125	B32129
FFKM	B32118	B32122	B32097	B32101	B32105	B32126	B32130
TFE/P	B32033	B32041	B32042	B32043	B32044	B32085	B32086

### Packing Nuts

Plunger Size	1/8 in	3/16 in	1/4 in	3/8 in	1/2 in	5/8 in	3/4 in
	B32187	B32187	B32264	B32265	B32266	B32267	B32267

### Inlet Valve Check

Material / Plunger Size	1/8 in	3/16 in	1/4 in	3/8 in	1/2 in	5/8 in	3/4 in
FKM	B32226	B32226	B32226	B32024	B32024	B32024	B32024
FKM-ETP	B32228	B32228	B32228	B32026	B32026	B32026	B32026
HNBR	B32230	B32230	B32230	B32113	B32113	B32113	B32113
FFKM	B32232	B32232	B32232	B32028	B32028	B32028	B32028
TFE/P	B32806	B32806	B32806	B32610	B32610	B32610	B32610

### Outlet Valve Check

Material / Plunger Size	1/8 in	3/16 in	1/4 in	3/8 in	1/2 in	5/8 in	3/4 in
FKM	B32227	B32227	B32227	B32025	B32025	B32025	B32025
FKM-ETP	B32229	B32229	B32229	B32027	B32027	B32027	B32027
HNBR	B32231	B32231	B32231	B32114	B32114	B32114	B32114
FFKM	B32233	B32233	B32233	B32029	B32029	B32029	B32029
TFE/P	B32807	B32807	B32807	B32608	B32608	B32608	B32608

# Python® XL Pneumatically Operated Pumps

## Python XL Inlet and Outlet Check Valve Repair Kits

Part Number	Description
B32038	FKM Large (3/8 in.-3/4 in.) Inlet and Outlet Check Valve Repair Kit (includes a spring and piston o-rings)
B32039	FKM ETP Large (3/8 in.-3/4 in.) Inlet and Outlet Check Valve Repair Kit (includes a spring and piston o-rings)
B32040	FFKM Large (3/8 in.-3/4 in.) Inlet and Outlet Check Valve Repair Kit (includes a spring and piston o-rings)
B32111	HNBR Large (3/8 in.-3/4 in.) Inlet and Outlet Check Valve Repair Kit (includes a spring and piston o-rings)
B32608	Aflas Large (3/8 in - 3/4 in) Outlet Check Valve Kit
B32610	Aflas Large (3/8 in - 3/4 in) Inlet Check Valve Kit
B32087	Aflas Small (1/4 in) Outlet Check Valve Kit
B32092	Aflas Small (1/4 in) Inlet Check Valve Kit
B32806	Aflas High Pressure (1/16 in) Inlet Check Valve Kit
B32807	Aflas High Pressure (1/16 in) Outlet Check Valve Kit
B32224	FKM Small (1/4 in.) Inlet and Outlet Check Valve Repair Kit (includes a spring and piston o-rings)
B32225	FKM ETP Small (1/4 in.) Inlet and Outlet Check Valve Repair Kit (includes a spring and piston o-rings)
B32235	FFKM Small (1/4 in.) Inlet and Outlet Check Valve Repair Kit (includes a spring and piston o-rings)
B32234	HNBR Small (1/4 in.) Inlet and Outlet Check Valve Repair Kit (includes a spring and piston o-rings)

## Python XL Pressure Relief Valves

Part Number	Description
B32045	225-750 psi Pressure Relief Valve Kit (Adjustable)
B32046	750-1,500 psi Pressure Relief Valve Kit (Adjustable)
B32047	1,500-2,250 psi Pressure Relief Valve Kit (Adjustable)
B32048	2,250-3,000 psi Pressure Relief Valve Kit (Adjustable)
B32049	3,000-4,000 psi Pressure Relief Valve Kit (Adjustable)
B32050	4,000-5,000 psi Pressure Relief Valve Kit (Adjustable)
B32051	5,000-6,000 psi Pressure Relief Valve Kit (Adjustable)

## Other Python XL Kits

Part Number	Description
B32088	SST Calibration Column Kit
B32089	SST Manifold Assembly Kit
B32157	316 SST Ball Valve Kit, 3/4 in. npt(f)
B32158	Fluid Filter 6,000 psi
B32159	Fluid Filter 10,000 psi
B32160	Float Switch
B32162	1/4 in. npt(f) x 1/4 in. npt(f) Check Kit
B32240	HF4 to 1/4 in. Adapter; 10,000 psi (1/8 in.-3/16 in. plungers)
B32268	Dowel Pin/Split Ring, Stainless Steel
B32767	Dust/Hand Guard, 2.5 in
B32271	Dust/Hand Guard, 3.5 in
B32277	Dust/Hand Guard, 4.5 in
B32274	Stand Leg Kit

# Accessories and Kits

Chemical Injection accessories and kits are durable components designed to operate in extreme conditions.

## Features and Benefits of some of the many accessories and kits offered.

### Solar Panels

Available in 90 W, 120 W, 150 W, 160 W and 265 W sizes, with or without Class 1, Division 2 certification. All panels include quick release MC4 connectors.

### Tank Mount Kits

Contains all the necessary hardware to build a tank mounted chemical injection skid, including: calibration column, fluid manifold, y-strainer, pressure relief valve, and line check valve.

### Batteries

Two versions of deep cycle batteries: economy lead acid – 96 Ah capacity & premium AGM – 105 Ah capacity. The AGM battery is recommended for installations in extreme temperatures.

### Charge Controller

Charge controllers improve battery life by tracking a battery's state of charge and adjusting charging voltage accordingly.

### Electrical Enclosure

Metal enclosure to protect the battery, charge controller and injection rate controller from the environment.

### Pressure Relief Valve

Available in pressures from 225 psi to 6,000 psi.



3/8 in Chromex  
B32062



1/2 in Ceramic Coated  
B32135

*Chromex provides a much harder wear surface and is not porous like hard chrome. The result is longer intervals before rod or packing replacement is required, especially with abrasive or hard particle materials. The Chromex coating meets or exceeds the chemical compatibility and corrosion resistance of hard chrome.*

*Chromex is superior to Ceramic coatings with regards to seal life. Ceramic coatings result in long life rods and cylinders but the packings tend to wear out much faster, resulting in more frequent maintenance intervals. Some special applications may still benefit from the Ceramic coatings.*



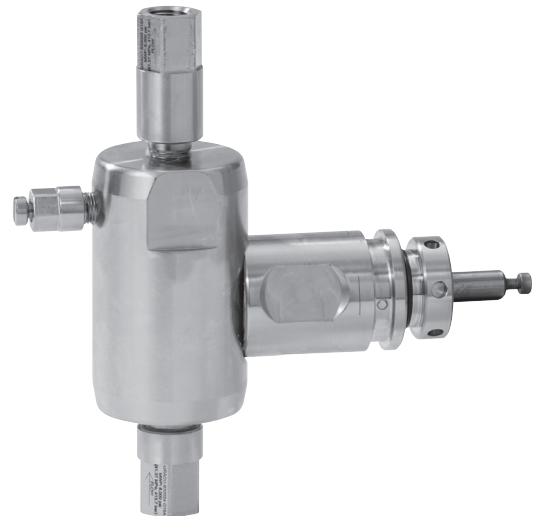
FKM Outlet and Inlet  
Check Valve Replacements  
B32025 and B32024



Pressure Relief Valve  
750-1,500 psi  
B32046



Replacement Fluid Section,  
3/8 in FKM, Stainless  
B32079



Replacement Fluid Section,  
1/2 in HNBR, Stainless  
B32467



# Accessories and Kits

## Ordering Information

### Solar Panels

Solar Panel Kits	
B32014	100 W Solar Panel, ordinary location
B32021	160 W Solar Panel, ordinary location
B32752	265 W Solar Panel, 24 V ordinary location
B32017	90 W Solar Panel, C1D2
B32751	150 W Solar Panel, C1D2
B32753	120 W Solar Panel, C1D2



100W Solar Panel  
Kit B32014

### Solar Panel Stands

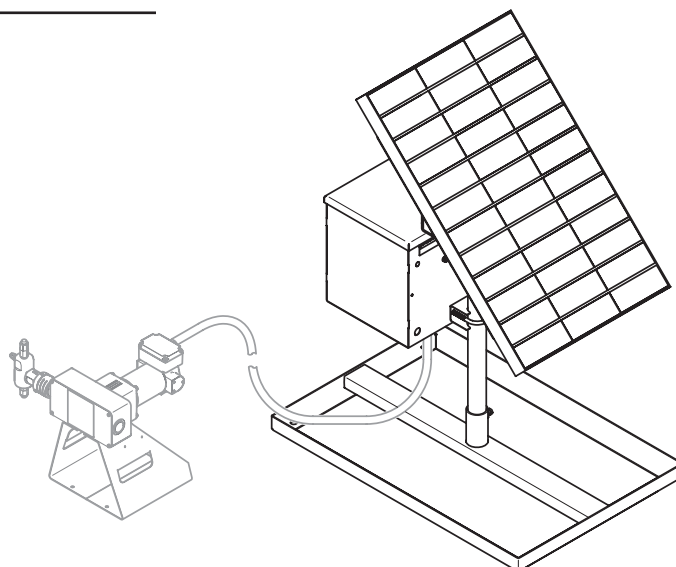
Solar Panel Kits	
B32789	1-Panel Stand, 3 ft, for 90 W - 100 W panel
B32790	1-Panel Stand, 3 ft, for 120 W - 160 W panel
B32791	1-Panel Stand, 3 ft, for 265 W panel
B32792	1-Panel Stand, 6 ft, for 90 W - 100 W panel
B32793	1-Panel Stand, 6 ft, for 120 W - 160 W panel
B32794	1-Panel Stand, 3 ft, for 265 W panel
B32796	3-Panel Stand, 3 ft, for 120 W - 160 W panel
B32797	3-Panel Stand, 6 ft, for 120 W - 160 W panel
B32795	AC Box Stand
B32739	A-Frame Stand, for 100 W panel



Base and Pole  
B32009

### Solar Charge Controllers

Solar Panel Kits	
B32748	SunSaver™ SS20L-24V (24 V, C1D2, LVD)
B32745	Prostar™ 30 (12/24 V, LVD, ordinary location)
B32746	Prostar™ 30M (12/24 V, LVD, ordinary location, screen)
B32012	ASC™ 12/12 (12 V, C1D2, no LVD)
B32749	ASC™ 12/16 (12 V, C1D2, no LVD)
B32747	ASC™ 24/16 (12 V, C1D2, no LVD)
B32744	SunSaver™ SS20L-12 V (12 V, C1D2, LVD)



# Accessories and Kits

## Ordering Information

### Cycle Counter Kit

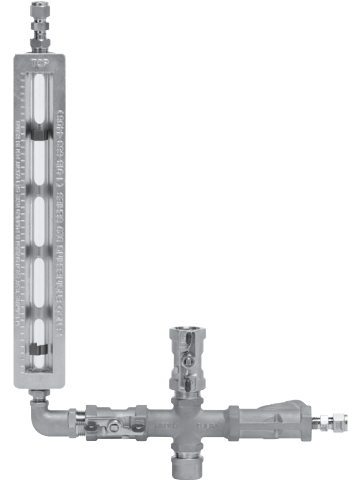
B32479	Cycle Count Accessory Kit for 12 VDC for Wolverine Pumps
B32238	Cycle Count Kit for AC and 24 VDC Systems. Cycle Switch Barrier Included for C1D1 pumps
B32239	Cycle Count Kit for 12 VDC Systems. Cycle Switch Barrier Included for C1D1 pumps

### Relief Valve Kits

B32045	225-750 psi Pressure Relief Valve Kit
B32046	7,50-1,500 psi Pressure Relief Valve Kit
B32047	1,500-2,250 psi Pressure Relief Valve Kit
B32048	2,250-3,000 psi Pressure Relief Valve Kit
B32049	3,000-4,000 psi Pressure Relief Valve Kit
B32050	4,000-5,000 psi Pressure Relief Valve Kit
B32051	5,000-6,000 psi Pressure Relief Valve Kit

### Other Kits

B32106	Temperature Switch Kit
B32616	System Hardware Kit
B32037	Harrier EZ Cover Label
B32072	Pressure Sensor Kit
B32020	Conventional Flooded Lead 12 V Battery
B32019	Premium Gel/AGM 12 V Battery



Manifold Assembly with Y-Strainer  
and Calibration Column  
B32089



Premium Gel/AGM 12 V Battery  
B32019

# Accessories and Kits

## Ordering Information

### G-Chem™ Pump Parts and Kits

G-Chem Other Kits	
B32002	12 VDC G-Chem Motor Replacement Kit
B32733	FKM Inlet Check Valve, 1/4 in npt
B32734	FKM Outlet Check Valve, 1/4 in npt
B32735	HNBR Inlet Check Valve, 1/4 in npt
B32736	HNBR Outlet Check Valve, 1/4 in npt
B32739	A-Frame Solar Panel Bracket
B32761	115 VAC G-Chem Motor Replacement Kit
B32776	1/4 in G-Chem Packing Nut
B32775	3/8 in G-Chem Packing Nut
B32774	1/2 in G-Chem Packing Nut
B32779	1/4 in G-Chem Plunger
B32778	3/8 in G-Chem Plunger
B32777	1/2 in G-Chem Plunger
B32784	1/4 in G-Chem FKM Plunger Packing Seals
B32785	1/4 in G-Chem HNBR Plunger Packing Seals
B32782	3/8 in G-Chem FKM Plunger Packing Seals
B32783	3/8 in G-Chem HNBR Plunger Packing Seals
B32780	1/2 in G-Chem FKM Plunger Packing Seals
B32781	1/2 in G-Chem HNBR Plunger Packing Seals
B32798	G-Chem Simplex to Duplex Conversion Kit
B32799	1/4 in G-Chem FKM Seal Conversion Kit
B32800	1/4 in G-Chem HNBR Seal Conversion Kit
B32801	3/8 in G-Chem FKM Seal Conversion Kit
B32802	3/8 in G-Chem HNBR Seal Conversion Kit
B32803	1/2 in G-Chem FKM Seal Conversion Kit
B32804	1/2 in G-Chem HNBR Seal Conversion Kit
B52152	Harrier EZ One-Battery Metal Control Box
B32696	Kit, Mount, Controller, Harrier AC
B32811	Harrier AC Mounting Bracket for G-Chem

# Accessories and Kits

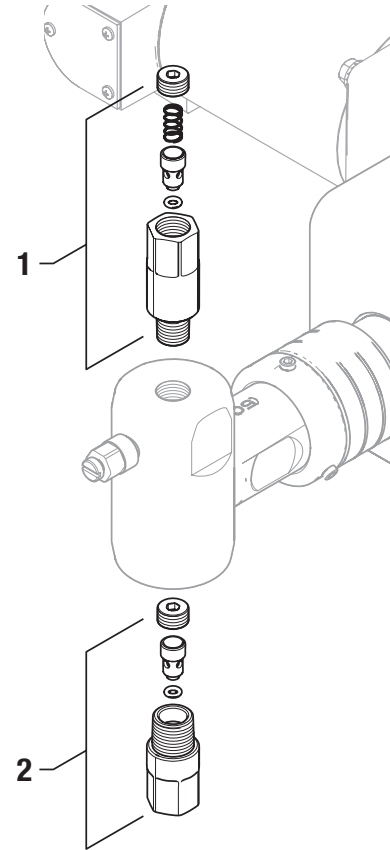
## Ordering Information

### Wolverine® Advanced Pump Kits

#### Check Valve Kits

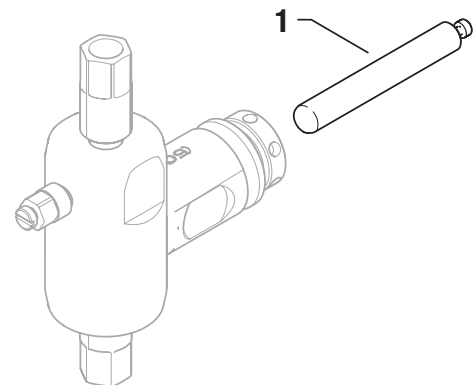
B32113	HNBR Inlet check valve Replacement Kit* (2)
B32114	HNBR Outlet check valve Replacement Kit * (1)
B32111	HNBR Inlet and Outlet check valve Repair Kit * (1 & 2)
B32024	FKM Inlet check valve Replacement Kit* (2)
B32025	FKM Outlet check valve Replacement Kit* (1)
B32038	FKM Inlet and Outlet check valve Repair Kit* (1 & 2)
B32026	FKM ETP Inlet check valve Replacement Kit* (2)
B32027	FKM ETP Outlet check valve Replacement Kit* (1)
B32039	FKM ETP Inlet and Outlet check valve Repair Kit* (1 & 2)
B32028	FFKM Inlet check valve Replacement Kit* (2)
B32029	FFKM Outlet check valve Replacement Kit* (1)
B32040	FFKM Inlet and Outlet check valve Repair Kit* (1 & 2)
B32216	3/16 in FKM Small Inlet Check Valve Replacement Kit (2)
B32217	3/16 in FKM Small Outlet Check Valve Replacement Kit (1)
B32218	3/16 in FKM ETP Small Inlet Check Valve Replacement Kit (2)
B32219	3/16 in FKM ETP Small Outlet Check Valve Replacement Kit (1)
B32220	3/16 in HNBR Small Inlet Check Valve Replacement Kit (2)
B32221	3/16 in HNBR Small Outlet Check Valve Replacement Kit (1)
B32222	3/16 in FFKM Small Inlet Check Valve Replacement Kit (2)
B32223	3/16 in FFKM Small Outlet Check Valve Replacement Kit (1)
B32224	3/16 in FKM Small and High Pressure Check Valve Rebuild Kit
B32225	3/16 in FKM ETP Small and High Pressure Check Valve Rebuild Kit
B32234	3/16 in HNBR Small and High Pressure Check Valve Rebuild Kit
B32235	3/16 in FFKM Small and High Pressure Check Valve Rebuild Kit

\* Applicable for 1/4 in, 3/8 in, 1/2 in, 5/8 in, and 3/4 in plunger sizes.



#### Plunger Replacement Kits (1)

B32060	3/16 in Chromex Coated Plunger Replacement Kit
B32061	1/4 in Chromex Coated Plunger Replacement Kit
B32062	3/8 in Chromex Coated Plunger Replacement Kit
B32063	1/2 in Chromex Coated Plunger Replacement Kit
B32064	5/8 in Chromex Coated Plunger Replacement Kit
B32065	3/4 in Chromex Coated Plunger Replacement Kit
B32543	3/16 in Ceramic Plunger Kit
B32544	1/4 in Ceramic Plunger Kit
B32545	3/8 in Ceramic Plunger Kit
B32546	1/2 in Ceramic Plunger Kit
B32547	5/8 in Ceramic Plunger Kit
B32548	3/4 in Ceramic Plunger Kit

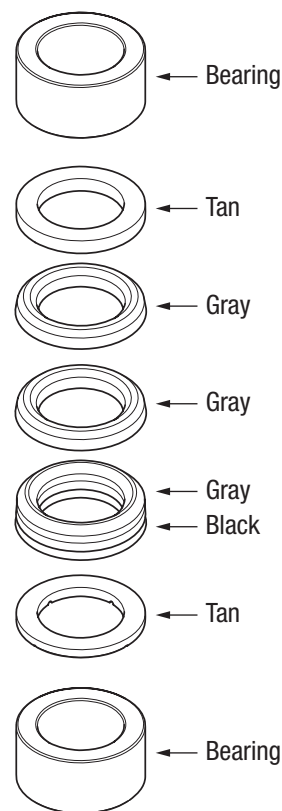


# Accessories and Kits

## Ordering Information

### Wolverine® Advanced Pump Kits

Packing Stack Kits	
B32443	3/16 in HNBR Packing Stack Repair Kit (Includes Bearings)
B32444	1/4 in HNBR Packing Stack Repair Kit (Includes Bearings)
B32445	3/8 in HNBR Packing Stack Repair Kit (Includes Bearings)
B32446	1/2 in HNBR Packing Stack Repair Kit (Includes Bearings)
B32447	5/8 in HNBR Packing Stack Repair Kit (Includes Bearings)
B32448	3/4 in HNBR Packing Stack Repair Kit (Includes Bearings)
B32429	3/16 in FKM Packing Stack Repair Kit (Includes Bearings)
B32430	1/4 in FKM Packing Stack Repair Kit (Includes Bearings)
B32431	3/8 in FKM Packing Stack Repair Kit (Includes Bearings)
B32432	1/2 in FKM Packing Stack Repair Kit (Includes Bearings)
B32433	5/8 in FKM Packing Stack Repair Kit (Includes Bearings)
B32434	3/4 in FKM Packing Stack Repair Kit (Includes Bearings)
B32436	3/16 in FKM ETP Packing Stack Repair Kit (Includes Bearings)
B32437	1/4 in FKM ETP Packing Stack Repair Kit (Includes Bearings)
B32438	3/8 in FKM ETP Packing Stack Repair Kit (Includes Bearings)
B32439	1/2 in FKM ETP Packing Stack Repair Kit (Includes Bearings)
B32440	5/8 in FKM ETP Packing Stack Repair Kit (Includes Bearings)
B32441	3/4 in FKM ETP Packing Stack Repair Kit (Includes Bearings)
B32450	3/16 in FFKM Packing Stack Repair Kit (Includes Bearings)
B32451	1/4 in FFKM Packing Stack Repair Kit (Includes Bearings)
B32452	3/8 in FFKM Packing Stack Repair Kit (Includes Bearings)
B32453	1/2 in FFKM Packing Stack Repair Kit (Includes Bearings)
B32454	5/8 in FFKM Packing Stack Repair Kit (Includes Bearings)
B32455	3/4 in FFKM Packing Stack Repair Kit (Includes Bearings)



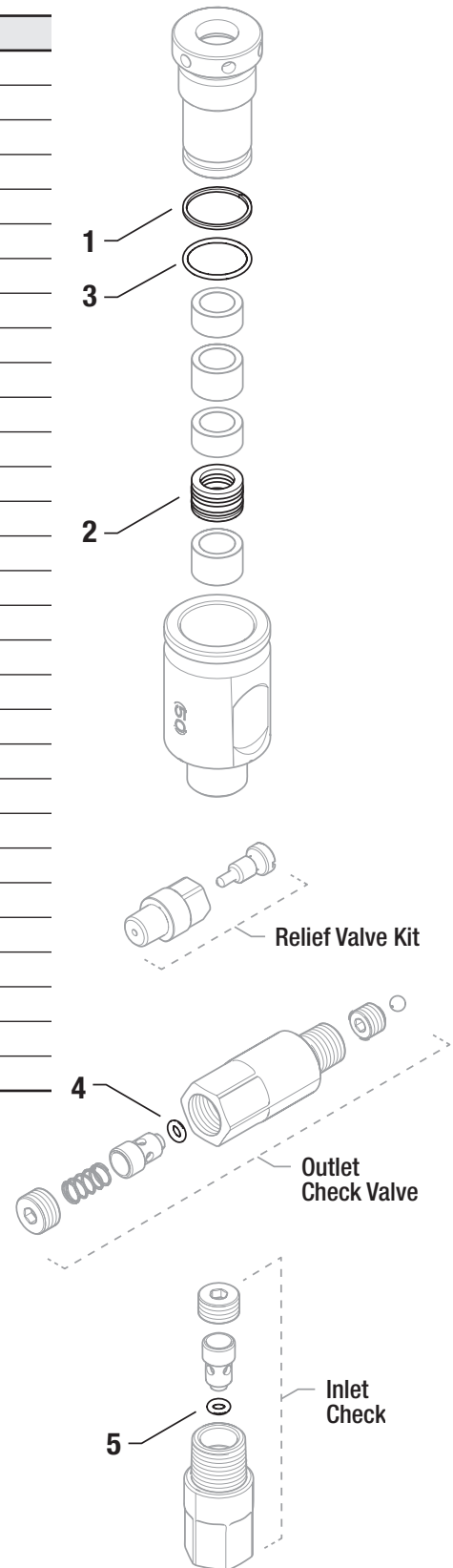
# Accessories and Kits

## Ordering Information

### Wolverine® Advanced Pump Kits

Seal Conversion Kits* (1-5)	
B32549	3/16 in FKM Wolverine Advanced Seal Conversion Kit
B32550	1/4 in FKM Wolverine Advanced Seal Conversion Kit
B32551	3/8 in FKM Wolverine Advanced Seal Conversion Kit
B32552	1/2 in FKM Wolverine Advanced Seal Conversion Kit
B32553	5/8 in FKM Wolverine Advanced Seal Conversion Kit
B32554	3/4 in FKM Wolverine Advanced Seal Conversion Kit
B32555	3/16 in FKM-ETP Wolverine Advanced Seal Conversion Kit
B32556	1/4 in FKM-ETP Wolverine Advanced Seal Conversion Kit
B32557	3/8 in FKM-ETP Wolverine Advanced Seal Conversion Kit
B32558	1/2 in FKM-ETP Wolverine Advanced Seal Conversion Kit
B32559	5/8 in FKM-ETP Wolverine Advanced Seal Conversion Kit
B32560	3/4 in FKM-ETP Wolverine Advanced Seal Conversion Kit
B32561	3/16 in HNBR Wolverine Advanced Seal Conversion Kit
B32562	1/4 in HNBR Wolverine Advanced Seal Conversion Kit
B32563	3/8 in HNBR Wolverine Advanced Seal Conversion Kit
B32564	1/2 in HNBR Wolverine Advanced Seal Conversion Kit
B32565	5/8 in HNBR Wolverine Advanced Seal Conversion Kit
B32566	3/4 in HNBR Wolverine Advanced Seal Conversion Kit
B32567	3/16 in FFKM Wolverine Advanced Seal Conversion Kit
B32568	1/4 in FFKM Wolverine Advanced Seal Conversion Kit
B32569	3/8 in FFKM Wolverine Advanced Seal Conversion Kit
B32570	1/2 in FFKM Wolverine Advanced Seal Conversion Kit
B32571	5/8 in FFKM Wolverine Advanced Seal Conversion Kit
B32572	3/4 in FFKM Wolverine Advanced Seal Conversion Kit
B32722	3/16 in TFE/P Wolverine Advanced Seal Conversion Kit
B32723	1/4 in TFE/P Wolverine Advanced Seal Conversion Kit
B32724	3/8 in TFE/P Wolverine Advanced Seal Conversion Kit
B32725	1/2 in TFE/P Wolverine Advanced Seal Conversion Kit
B32726	5/8 in TFE/P Wolverine Advanced Seal Conversion Kit
B32727	3/4 in TFE/P Wolverine Advanced Seal Conversion Kit

\* Includes packing seals, check valve seals and packing nut seal.

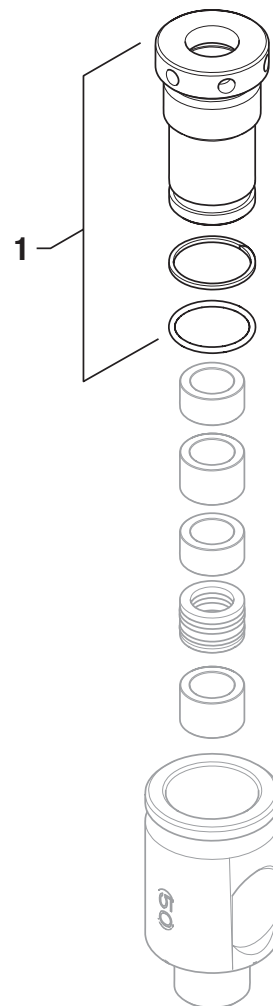


# Accessories and Kits

## Ordering Information

### Wolverine® Advanced Pump Kits

Packing Nut Replacement Kits (includes O-ring and retainer ring) (1)	
B32496	Wolverine Advanced Packing Nut Replacement Kit for 3/16 in Plunge with HNB R Seals
B32497	Wolverine Advanced Packing Nut Replacement Kit for 1/4 in Plunger with HNB R Seals
B32498	Wolverine Advanced Packing Nut Replacement Kit for 3/8 in Plunger with HNB R Seals
B32499	Wolverine Advanced Packing Nut Replacement Kit for 1/2 in Plunger with HNB R Seals
B32500	Wolverine Advanced Packing Nut Replacement Kit for 5/8 in Plunger with HNB R Seals
B32501	Wolverine Advanced Packing Nut Replacement Kit for 3/4 in Plunger with HNB R Seals
B32420	Wolverine Advanced Packing Nut Replacement Kit for 3/16 in Plunge with FKM Seals
B32421	Wolverine Advanced Packing Nut Replacement Kit for 1/4 in Plunger with FKM Seals
B32422	Wolverine Advanced Packing Nut Replacement Kit for 3/8 in Plunger with FKM Seals
B32423	Wolverine Advanced Packing Nut Replacement Kit for 1/2 in Plunger with FKM Seals
B32424	Wolverine Advanced Packing Nut Replacement Kit for 5/8 in Plunger with FKM Seals
B32425	Wolverine Advanced Packing Nut Replacement Kit for 3/4 in Plunger with FKM Seals
B32489	Wolverine Advanced Packing Nut Replacement Kit for 3/16 in Plunge with FKM ETP Seals
B32490	Wolverine Advanced Packing Nut Replacement Kit for 1/4 in Plunger with FKM ETP Seals
B32491	Wolverine Advanced Packing Nut Replacement Kit for 3/8 in Plunger with FKM ETP Seals
B32492	Wolverine Advanced Packing Nut Replacement Kit for 1/2 in Plunger with FKM ETP Seals
B32493	Wolverine Advanced Packing Nut Replacement Kit for 5/8 in Plunger with FKM ETP Seals
B32494	Wolverine Advanced Packing Nut Replacement Kit for 3/4 in Plunger with FKM ETP Seals
B32503	Wolverine Advanced Packing Nut Replacement Kit for 3/16 in Plunge with FFKM Seals
B32504	Wolverine Advanced Packing Nut Replacement Kit for 1/4 in Plunger with FFKM Seals
B32505	Wolverine Advanced Packing Nut Replacement Kit for 3/8 in Plunger with FFKM Seals
B32506	Wolverine Advanced Packing Nut Replacement Kit for 1/2 in Plunger with FFKM Seals
B32507	Wolverine Advanced Packing Nut Replacement Kit for 5/8 in Plunger with FFKM Seals
B32508	Wolverine Advanced Packing Nut Replacement Kit for 3/4 in Plunger with FFKM Seals

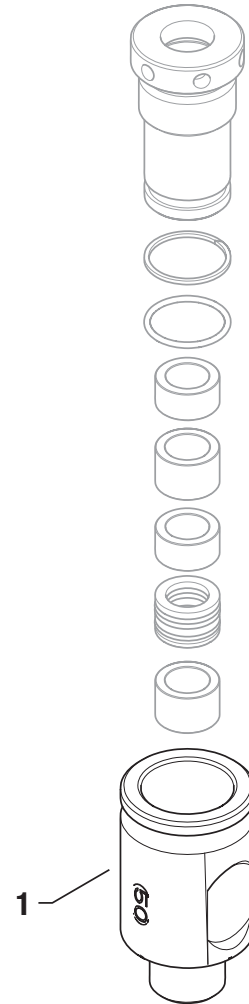


# Accessories and Kits

## Ordering Information

### Wolverine® Advanced Pump Kits

Fluid Cylinder Replacement Kits (1)	
B32523	3/16 in Fluid Cylinder Replacement Kit with HNBR Seals
B32524	1/4 in Fluid Cylinder Replacement Kit with HNBR Seals
B32525	3/8 in Fluid Cylinder Replacement Kit with HNBR Seals
B32526	1/2 in Fluid Cylinder Replacement Kit with HNBR Seals
B32527	5/8 in Fluid Cylinder Replacement Kit with HNBR Seals
B32528	3/4 in Fluid Cylinder Replacement Kit with HNBR Seals
B32482	3/16 in Fluid Cylinder Replacement Kit with FKM Seals
B32483	1/4 in Fluid Cylinder Replacement Kit with FKM Seals
B32484	3/8 in Fluid Cylinder Replacement Kit with FKM Seals
B32485	1/2 in Fluid Cylinder Replacement Kit with FKM Seals
B32486	5/8 in Fluid Cylinder Replacement Kit with FKM Seals
B32487	3/4 in Fluid Cylinder Replacement Kit with FKM Seals
B32516	3/16 in Fluid Cylinder Replacement Kit with FKM ETP Seals
B32517	1/4 in Fluid Cylinder Replacement Kit with FKM ETP Seals
B32518	3/8 in Fluid Cylinder Replacement Kit with FKM ETP Seals
B32519	1/2 in Fluid Cylinder Replacement Kit with FKM ETP Seals
B32520	5/8 in Fluid Cylinder Replacement Kit with FKM ETP Seals
B32521	3/4 in Fluid Cylinder Replacement Kit with FKM ETP Seals
B32530	3/16 in Fluid Cylinder Replacement Kit with FFKM Seals
B32531	1/4 in Fluid Cylinder Replacement Kit with FFKM Seals
B32532	3/8 in Fluid Cylinder Replacement Kit with FFKM Seals
B32533	1/2 in Fluid Cylinder Replacement Kit with FFKM Seals
B32534	5/8 in Fluid Cylinder Replacement Kit with FFKM Seals
B32535	3/4 in Fluid Cylinder Replacement Kit with FFKM Seals





# Accessories and Kits

## Ordering Information

### Wolverine® Advanced Pump Kits

#### Drive Section Replacement Kits

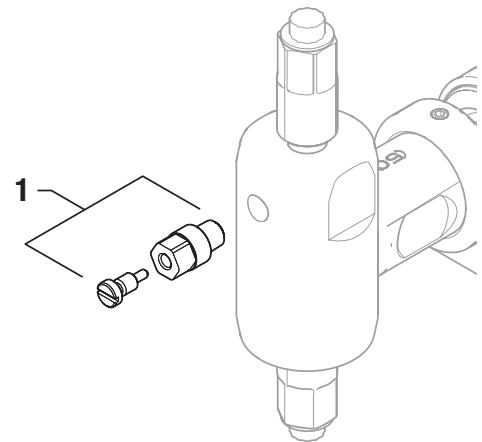
B32090	Drive Section Kit for 1/4 in, 3/8 in and 1/2 in plungers
B32091	Duplex Drive Suction Kit for 3/16 in, 5/8 in and 3/4 in plungers

**Note:** Combine a Fluid Cylinder Replacement Kit with a Drive Section Replacement Kit for a Duplex add-on kit

#### Check/Bleed Housing Replacement Kits\* (1)

B32513	Wolverine Advanced Check/Bleed Housing Replacement Kit for Plungers Sizes 3/16 in, 5/8 in, 3/4 in with HNBR Seals
B32510	Wolverine Advanced Check/Bleed Housing Replacement Kit for Plungers Sizes 1/4 in, 3/8 in, 1/2 in with HNBR Seals
B32478	Wolverine Advanced Check/Bleed Housing Replacement Kit for Plungers Sizes 3/16 in, 5/8 in, 3/4 in with FKM Seals
B32477	Wolverine Advanced Check/Bleed Housing Replacement Kit for Plungers Sizes 1/4 in, 3/8 in, 1/2 in with FKM Seals
B32512	Wolverine Advanced Check/Bleed Housing Replacement Kit for Plungers Sizes 3/16 in, 5/8 in, 3/4 in with FKM ETP Seals
B32509	Wolverine Advanced Check/Bleed Housing Replacement Kit for Plungers Sizes 1/4 in, 3/8 in, 1/2 in with FKM ETP Seals
B32514	Wolverine Advanced Check/Bleed Housing Replacement Kit for Plungers Sizes 3/16 in, 5/8 in, 3/4 in with FFKM Seals
B32511	Wolverine Advanced Check/Bleed Housing Replacement Kit for Plungers Sizes 1/4 in, 3/8 in, 1/2 in with FFKM Seals

\* Includes o-ring, ball and retainer ring



#### Carriage, Cam and Bearing Repair and Replacement Kits

B32083	Carriage Repair Kit for Small Motor
B32407	Carriage Replacement Kit for Large Motors
B32408	Carriage Bearing Replacement Kit for Small Motor
B32409	Carriage Bearing Replacement Kit for Large Motors
B32410	Carriage Bolt Replacement Kit
B32084	Cam and Bearing Repair Kit for Small Motor
B32411	Cam and Bearing Replacement Kit for Large Motors

# Accessories and Kits

## Ordering Information

### Wolverine® Advanced Pump Kits

Motor Replacement Kits	
B32023	12 VDC Small Motor Replacement Kit
B32109	12 VDC Large Replacement Kit
B32146	115 VAC Motor Replacement Kit
B32147	230 VAC Motor Replacement Kit
B32151	230/460 VAC Motor Replacement Kit
B32075	Electric Motor Brush Repair Kit

Other Kits	
B32107	Cycle Count Accessory Kit Small Motor
B32479	Cycle Count Accessory Kit for 12 VDC Large Motor
B32480	Cycle Count Accessory Kit for all VAC Motors
B32416	Drive Housing Replacement Kit for Small Motor
B32417	Drive Housing Replacement Kit for Large Motors
B32413	Drive Cylinder Replacement Kit for Plunger Sizes 1/4 in, 3/8 in, 1/2 in
B32414	Drive Cylinder Replacement Kit for Plunger Sizes 3/16 in, 5/8 in, 3/4 in
B32426	Dust Cover Replacement Kit for Plunger Sizes 1/4 in, 3/8 in, 1/2 in
B32427	Dust Cover Replacement Kit for Plunger Sizes 3/16 in, 5/8 in, 3/4 in
B32158	Fluid Filter 6,000 psi
B32159	Fluid Filter 10,000 psi
B32403	Stroke Adjuster Replacement Kit
B32418	Stroke Adjust Nut Replacement Kit
B32088	316 SST Calibration Column Kit
B32208	303 SST Calibration Column Kit
B32089	SST Manifold Assembly Kit
B32157	316 SST Ball Valve Kit
B32160	Float Switch
B32191	Bleed Assembly Replacement Kit
B32401	Guard Replacement Kit
B32405	Drive Shaft Replacement Kit
B32406	Piston Return Block Replacement Kit
B32539	High Pressure Check Ball Repair Kit, FKM
B32540	High Pressure Check Ball Repair Kit, FKM ETP
B32541	High Pressure Check Ball Repair Kit, HBNR
B32542	High Pressure Check Ball Repair Kit, FFKM
B32536	Wolverine House Simplex Spare Plug
B32072	Pressure Sensor Kit
B32134	Battery Aux Cable Add-On Kit

# Accessories and Kits

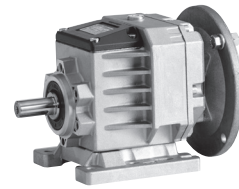
## Ordering Information

### Wolverine® Hazardous Location Kits

Other Kits	
B32238	Cycle Count Kit for AC and 24 VDC Systems. Cycle Switch and Barrier Included.
B32239	Cycle Count Kit for 12 VDC Systems. Cycle Switch and Barrier Included.
B32249	Electric Barrier Kit for 12 VDC.
B32248	Electric Barrier Kit for AC and 24 VDC.
B32209	115/230 VDC Hazardous Location Motor
B32210	230/460 VDC Hazardous Location Motor
B32149	12 VDC Hazardous Location Motor Kit
B32211	24 VDC Hazardous Location Motor Kit
B32212	CAM/Bearing Repair Kit for Hazardous Location Motor
B32213	Carriage Repair Kit for Hazardous Location Motor
B32215	Gear Reducer Kit for Hazardous Location Motors
B32537	Drive Housing Repair Kit for Hazardous Location Motor
B32538	Carriage Bearing Repair Kit for Hazardous Location Motor
B32401	Guard Replacement Kit
B32405	Drive Shaft Replacement Kit
B32406	Piston Return Block Replacement Kit
B32539	High Pressure Check Ball Repair Kit, FKM
B32540	High Pressure Check Ball Repair Kit, FKM ETP
B32541	High Pressure Check Ball Repair Kit, HBNR
B32542	High Pressure Check Ball Repair Kit, FFKM
B32536	Wolverine House Simplex Spare Plug
B32134	Battery Aux Cable Add-On Kit



Hazardous Location Motor  
B32209



Gear Box  
B32215

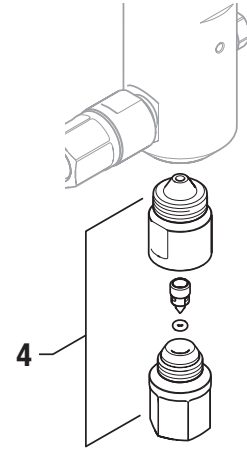
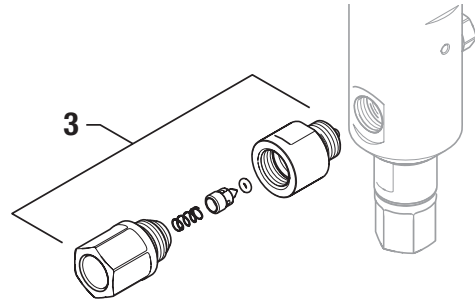
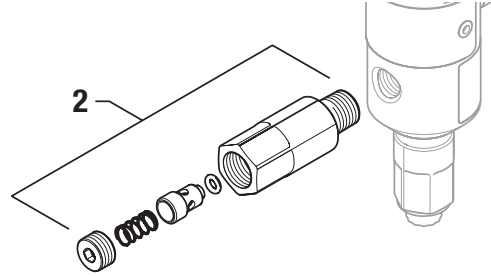
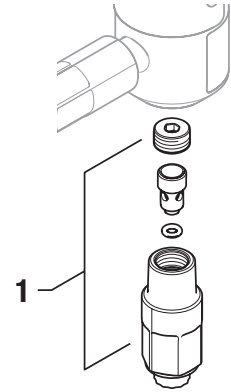
# Accessories and Kits

## Ordering Information

### Python® Pump Kits

Check Valve Kits	
B32024	FKM Inlet check valve Replacement Kit* (1)
B32025	FKM Outlet check valve Replacement Kit* (2)
B32026	FKM ETP Inlet check valve Replacement Kit* (1)
B32027	FKM ETP Outlet check valve Replacement Kit* (2)
B32028	FFKM Inlet check valve Replacement Kit* (1)
B32029	FFKM Outlet check valve Replacement Kit* (2)
B32038	FKM Inlet and Outlet check valve Repair Kit* (1 & 2)
B32039	FKM ETP Inlet and Outlet check valve Repair Kit* (1 & 2)
B32040	FFKM Inlet and Outlet check valve Repair Kit* (1 & 2)
B32111	HNBR Inlet and Outlet check valve Repair Kit* (1 & 2)
B32113	HNBR Inlet check valve Replacement Kit* (1)
B32114	HNBR Outlet check valve Replacement Kit* (2)
B32226	1/8 in and 3/16 in FKM High Pressure Inlet check valve Replacement Kit (4)
B32227	1/8 in and 3/16 in FKM High Pressure Outlet check valve Replacement Kit (3)
B32228	1/8 in and 3/16 in FKM ETP High Pressure Inlet check valve Replacement Kit (4)
B32229	1/8 in and 3/16 in FKM ETP High Pressure Outlet check valve Replacement Kit (3)
B32230	1/8 in and 3/16 in HNBR High Pressure Inlet check valve Replacement Kit (4)
B32231	1/8 in and 3/16 in HNBR High Pressure Outlet check valve Replacement Kit (3)
B32232	1/8 in and 3/16 in FFKM High Pressure Inlet check valve Replacement Kit (4)
B32233	1/8 in and 3/16 in FFKM High Pressure Outlet check valve Replacement Kit (3)
B32224	1/8 in and 3/16 in FKM Small and High Pressure check valve Rebuild Kit
B32225	1/8 in and 3/16 in FKM ETP Small and High Pressure check valve Rebuild Kit
B32234	1/8 in and 3/16 in HNBR Small and High Pressure check valve Rebuild Kit
B32235	1/8 in and 3/16 in FFKM Small and High Pressure check valve Rebuild Kit
B32216	1/4 in FKM Small Inlet check valve Replacement Kit
B32217	1/4 in FKM Small Outlet check valve Replacement Kit
B32218	1/4 in FKM ETP Small Inlet check valve Replacement Kit
B32219	1/4 in FKM ETP Small Outlet check valve Replacement Kit
B32220	1/4 in HNBR Small Inlet check valve Replacement Kit
B32221	1/4 in HNBR Small Outlet check valve Replacement Kit
B32222	1/4 in FFKM Small Inlet check valve Replacement Kit
B32223	1/4 in FFKM Small Outlet check valve Replacement Kit
B32224	1/4 in FKM Small and High Pressure check valve Rebuild Kit
B32225	1/4 in FKM ETP Small and High Pressure check valve Rebuild Kit
B32234	1/4 in HNBR Small and High Pressure check valve Rebuild Kit
B32235	1/4 in FFKM Small and High Pressure check valve Rebuild Kit

\* Applicable for 3/8 in, 1/2 in, 5/8 in, and 3/4 in plunger sizes.



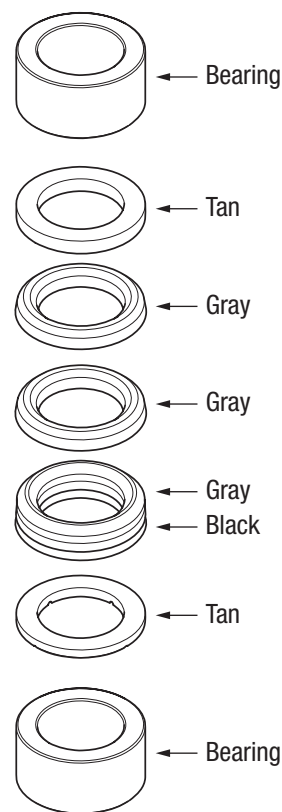
# Accessories and Kits

## Ordering Information

### Python® Pump Kits (continued)

Relief Valve Kits	
B32045	225-750 psi Pressure Relief Valve Kit
B32046	750-1,500 psi Pressure Relief Valve Kit
B32047	1,500-2,250 psi Pressure Relief Valve Kit
B32048	2,250-3,000 psi Pressure Relief Valve Kit
B32049	3,000-4,000 psi Pressure Relief Valve Kit
B32050	4,000-5,000 psi Pressure Relief Valve Kit
B32051	5,000-6,000 psi Pressure Relief Valve Kit

Packing Stack Repair Kits	
B32117	1/8 in HNBR Packing Stack Repair Kit (Includes Bearings)
B32115	1/8 in FKM Packing Stack Repair Kit (Includes Bearings)
B32116	1/8 in FKM ETP Packing Stack Repair Kit (Includes Bearings)
B32118	1/8 in FFKM Packing Stack Repair Kit (Includes Bearings)
B32121	3/16 in HNBR Packing Stack Repair Kit (Includes Bearings)
B32119	3/16 in FKM Packing Stack Repair Kit (Includes Bearings)
B32120	3/16 in FKM ETP Packing Stack Repair Kit (Includes Bearings)
B32122	3/16 in FFKM Packing Stack Repair Kit (Includes Bearings)
B32096	1/4 in HNBR Packing Stack Repair Kit (Includes Bearings)
B32094	1/4 in FKM Packing Stack Repair Kit (Includes Bearings)
B32095	1/4 in FKM ETP Packing Stack Repair Kit (Includes Bearings)
B32097	1/4 in FFKM Packing Stack Repair Kit (Includes Bearings)
B32100	3/8 in HNBR Packing Stack Repair Kit (Includes Bearings)
B32098	3/8 in FKM Packing Stack Repair Kit (Includes Bearings)
B32099	3/8 in FKM ETP Packing Stack Repair Kit (Includes Bearings)
B32101	3/8 in FFKM Packing Stack Repair Kit (Includes Bearings)
B32104	1/2 in HNBR Packing Stack Repair Kit (Includes Bearings)
B32102	1/2 in FKM Packing Stack Repair Kit (Includes Bearings)
B32103	1/2 in FKM ETP Packing Stack Repair Kit (Includes Bearings)
B32105	1/2 in FFKM Packing Stack Repair Kit (Includes Bearings)
B32125	5/8 in HNBR Packing Stack Repair Kit (Includes Bearings)
B32123	5/8 in FKM Packing Stack Repair Kit (Includes Bearings)
B32124	5/8 in FKM ETP Packing Stack Repair Kit (Includes Bearings)
B32126	5/8 in FFKM Packing Stack Repair Kit (Includes Bearings)
B32129	3/4 in HNBR Packing Stack Repair Kit (Includes Bearings)
B32127	3/4 in FKM Packing Stack Repair Kit (Includes Bearings)
B32128	3/4 in FKM ETP Packing Stack Repair Kit (Includes Bearings)
B32130	3/4 in FFKM Packing Stack Repair Kit (Includes Bearings)



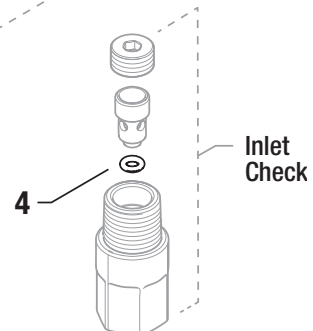
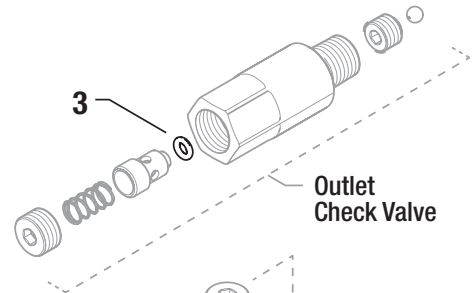
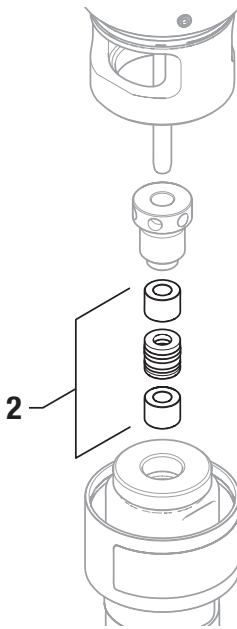
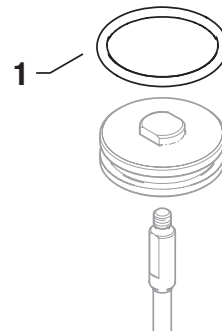
# Accessories and Kits

## Ordering Information

### Python® Pump Kits (continued)

#### Seal Conversion Kits (1-5)

B32573	1/8 in FKM Seal Conversion Kit
B32574	3/16 in FKM Seal Conversion Kit
B32575	1/4 in FKM Seal Conversion Kit
B32576	3/8 in FKM Seal Conversion Kit
B32577	1/2 in FKM Seal Conversion Kit
B32578	5/8 in FKM Seal Conversion Kit
B32579	3/4 in FKM Seal Conversion Kit
B32580	1/8 in FKM-ETP Seal Conversion Kit
B32581	3/16 in FKM-ETP Seal Conversion Kit
B32582	1/4 in FKM-ETP Seal Conversion Kit
B32583	3/8 in FKM-ETP Seal Conversion Kit
B32584	1/2 in FKM-ETP Seal Conversion Kit
B32585	5/8 in FKM-ETP Seal Conversion Kit
B32586	3/4 in FKM-ETP Seal Conversion Kit
B32587	1/8 in HNBR Seal Conversion Kit
B32588	3/16 in HNBR Seal Conversion Kit
B32589	1/4 in HNBR Seal Conversion Kit
B32590	3/8 in HNBR Seal Conversion Kit
B32591	1/2 in HNBR Seal Conversion Kit
B32592	5/8 in HNBR Seal Conversion Kit
B32593	3/4 in HNBR Seal Conversion Kit
B32594	1/8 in FFKM Seal Conversion Kit
B32595	3/16 in FFKM Seal Conversion Kit
B32596	1/4 in FFKM Seal Conversion Kit
B32597	3/8 in FFKM Seal Conversion Kit
B32598	1/2 in FFKM Seal Conversion Kit
B32599	5/8 in FFKM Seal Conversion Kit
B32646	3/4 in FFKM Seal Conversion Kit
B32569	3/8 in FFKM Wolverine Advanced Seal Conversion Kit
B32570	1/2 in FFKM Wolverine Advanced Seal Conversion Kit
B32571	5/8 in FFKM Wolverine Advanced Seal Conversion Kit
B32572	3/4 in FFKM Wolverine Advanced Seal Conversion Kit



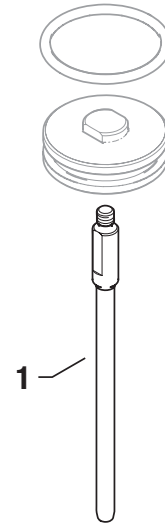
# Accessories and Kits

## Ordering Information

### Python® Pump Kits (continued)

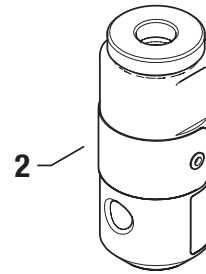
#### Fluid Plunger Replacement Kit (1)

B32139	1/8 in Chromex Coated Fluid Plunger Replacement Kit
B32140	3/16 in Chromex Coated Fluid Plunger Replacement Kit
B32141	1/4 in Chromex Coated Fluid Plunger Replacement Kit
B32142	3/8 in Chromex Coated Fluid Plunger Replacement Kit
B32143	1/2 in Chromex Coated Fluid Plunger Replacement Kit
B32144	5/8 in Chromex Coated Fluid Plunger Replacement Kit
B32145	3/4 in Chromex Coated Fluid Plunger Replacement Kit
B32241	1/8 in Ceramic Coated Fluid Plunger Replacement Kit
B32242	3/16 in Ceramic Coated Fluid Plunger Replacement Kit
B32243	1/4 in Ceramic Coated Fluid Plunger Replacement Kit
B32244	3/8 in Ceramic Coated Fluid Plunger Replacement Kit
B32245	1/2 in Ceramic Coated Fluid Plunger Replacement Kit
B32246	5/8 in Ceramic Coated Fluid Plunger Replacement Kit
B32247	3/4 in Ceramic Coated Fluid Plunger Replacement Kit



#### Fluid Cylinder Replacement Kit (2)

B32180	1/8 in Fluid Cylinder Replacement Kit
B32181	3/16 in Fluid Cylinder Replacement Kit
B32182	1/4 in Fluid Cylinder Replacement Kit
B32183	3/8 in Fluid Cylinder Replacement Kit
B32184	1/2 in Fluid Cylinder Replacement Kit
B32185	5/8 in Fluid Cylinder Replacement Kit
B32186	3/4 in Fluid Cylinder Replacement Kit



# Accessories and Kits

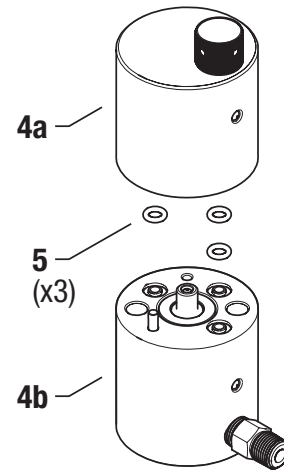
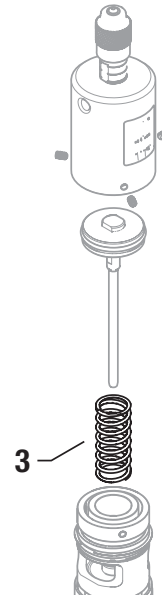
## Ordering Information

### Python® Pump Kits (continued)

Timing Valve Kits (4)	
B32193	Timing Valve Lower Housing Replacement Kit (4a)
B32194	Timing Valve Upper Housing Replacement Kit (4b)
B32195	Timing Valve Fastener Replacement Kit
B32196	Timing Valve Spring Retainer Replacement Kit
B32197	Timing Valve Return Spring Replacement Kit
B32198	Timing Valve Pipe Fitting Kit
B32199	Timing Valve Needle Replacement Kit
B32069	Standard Timing Valve Replacement Kit
B32153	Standard Timing Valve Rebuild Kit

Fluid Plunger Packing Nut Kit	
B32187	1/8 in-1/4 in Fluid Plunger Packing Nut Kit
B32188	3/8 in Fluid Plunger Packing Nut Kit
B32190	5/8 in-3/4 in Fluid Plunger Packing Nut Kit
B32203	1/2 in Fluid Plunger Packing Nut Kit

Air Piston Seal Kits (5)	
B32034	1-1/4 in Air Piston Seal Replacement Kit
B32035	1-3/4 in Air Piston Seal Replacement Kit
B32036	2 in Air Piston Seal Replacement Kit
B32172	1-1/4 in Air Piston Replacement Kit
B32173	1-3/4 in Air Piston Replacement Kit
B32174	2 in Air Piston Replacement Kit
B32165	Small Air Piston Stop Replacement Kit
B32166	Large Air Piston Stop Replacement Kit





# Accessories and Kits

## Ordering Information

---

### Python® Pump Kits (continued)

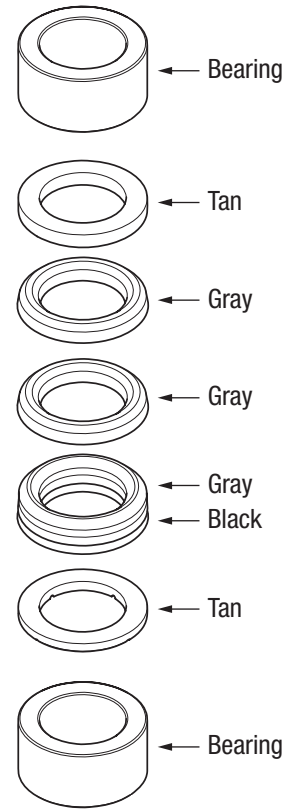
Other Python Kits	
B32162	1/4 in npt (f) X 1/4 in npt (f) Check Kit
B32163	Small Air Motor Housing Replacement Kit
B32164	Large Air Motor Housing Replacement Kit
B32175	Air Cylinder Set Screw Replacement Kit
B32176	Small Dust Cover Seal Replacement Kit
B32177	Large Dust Cover Seal Replacement Kit
B32178	Small Dust Cover Replacement Kit
B32179	Large Dust Cover Replacement Kit
B32191	Bleed Assembly Replacement Kit
B32192	Stroke Adjust Assembly Replacement Kit
B32240	1/8 in and 3/16 in HF4 High Pressure to 1/4 in npt Adapter Kit
B32250	1/8 in and 3/16 in High Pressure Bleed Needle Replacement Kit
B32205	Air Cylinder Kit, 1-1/4 in Air Motor
B32206	Air Cylinder Kit, 1-3/4 in Air Motor
B32207	Air Cylinder Kit, 2.00 in Air Motor
B32204	Bleed Valve Kit

# Accessories and Kits

## Ordering Information

### Python® XL Pump Kits

Packing Stack Repair Kits	
B32117	1/8 in HNBR Packing Stack Repair Kit (Includes Bearings)
B32115	1/8 in FKM Packing Stack Repair Kit (Includes Bearings)
B32116	1/8 in FKM ETP Packing Stack Repair Kit (Includes Bearings)
B32118	1/8 in FFKM Packing Stack Repair Kit (Includes Bearings)
B32121	3/16 in HNBR Packing Stack Repair Kit (Includes Bearings)
B32119	3/16 in FKM Packing Stack Repair Kit (Includes Bearings)
B32120	3/16 in FKM ETP Packing Stack Repair Kit (Includes Bearings)
B32122	3/16 in FFKM Packing Stack Repair Kit (Includes Bearings)
B32096	1/4 in HNBR Packing Stack Repair Kit (Includes Bearings)
B32094	1/4 in FKM Packing Stack Repair Kit (Includes Bearings)
B32095	1/4 in FKM ETP Packing Stack Repair Kit (Includes Bearings)
B32097	1/4 in FFKM Packing Stack Repair Kit (Includes Bearings)
B32100	3/8 in HNBR Packing Stack Repair Kit (Includes Bearings)
B32098	3/8 in FKM Packing Stack Repair Kit (Includes Bearings)
B32099	3/8 in FKM ETP Packing Stack Repair Kit (Includes Bearings)
B32101	3/8 in FFKM Packing Stack Repair Kit (Includes Bearings)
B32104	1/2 in HNBR Packing Stack Repair Kit (Includes Bearings)
B32102	1/2 in FKM Packing Stack Repair Kit (Includes Bearings)
B32103	1/2 in FKM ETP Packing Stack Repair Kit (Includes Bearings)
B32105	1/2 in FFKM Packing Stack Repair Kit (Includes Bearings)
B32125	5/8 in HNBR Packing Stack Repair Kit (Includes Bearings)
B32123	5/8 in FKM Packing Stack Repair Kit (Includes Bearings)
B32124	5/8 in FKM ETP Packing Stack Repair Kit (Includes Bearings)
B32126	5/8 in FFKM Packing Stack Repair Kit (Includes Bearings)
B32129	3/4 in HNBR Packing Stack Repair Kit (Includes Bearings)
B32127	3/4 in FKM Packing Stack Repair Kit (Includes Bearings)
B32128	3/4 in FKM ETP Packing Stack Repair Kit (Includes Bearings)
B32130	3/4 in FFKM Packing Stack Repair Kit (Includes Bearings)

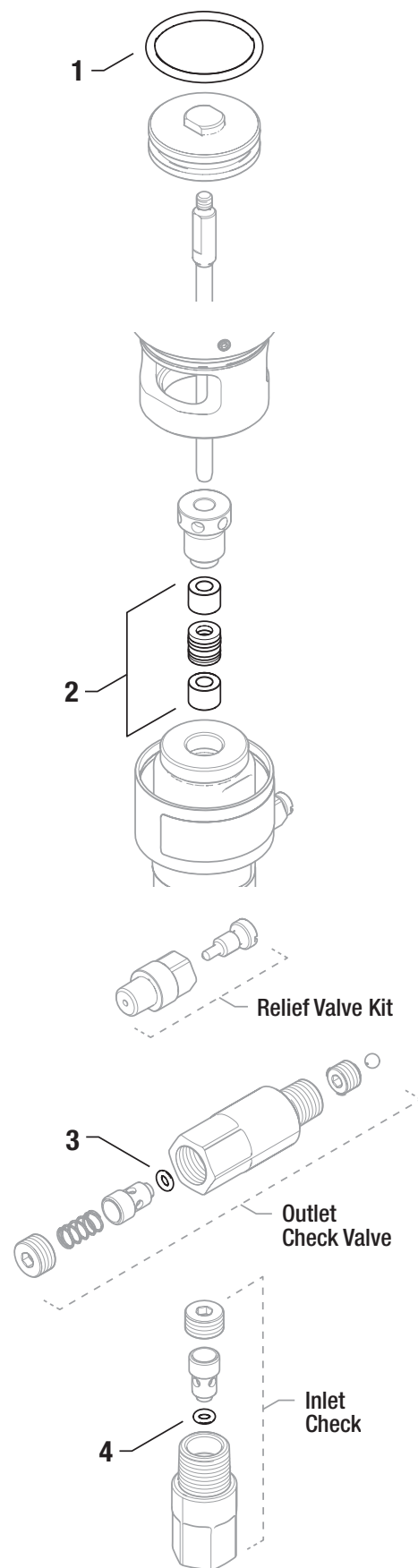


# Accessories and Kits

## Ordering Information

### Python® XL Pump Kits (continued)

Seal Conversion Kits (1-4)	
B32573	1/8 in FKM Seal Conversion Kit
B32574	3/16 in FKM Seal Conversion Kit
B32575	1/4 in FKM Seal Conversion Kit
B32576	3/8 in FKM Seal Conversion Kit
B32577	1/2 in FKM Seal Conversion Kit
B32578	5/8 in FKM Seal Conversion Kit
B32579	3/4 in FKM Seal Conversion Kit
B32580	1/8 in FKM-ETP Seal Conversion Kit
B32581	3/16 in FKM-ETP Seal Conversion Kit
B32582	1/4 in FKM-ETP Seal Conversion Kit
B32583	3/8 in FKM-ETP Seal Conversion Kit
B32584	1/2 in FKM-ETP Seal Conversion Kit
B32585	5/8 in FKM-ETP Seal Conversion Kit
B32586	3/4 in FKM-ETP Seal Conversion Kit
B32587	1/8 in HNBR Seal Conversion Kit
B32588	3/16 in HNBR Seal Conversion Kit
B32589	1/4 in HNBR Seal Conversion Kit
B32590	3/8 in HNBR Seal Conversion Kit
B32591	1/2 in HNBR Seal Conversion Kit
B32592	5/8 in HNBR Seal Conversion Kit
B32593	3/4 in HNBR Seal Conversion Kit
B32594	1/8 in FFKM Seal Conversion Kit
B32595	3/16 in FFKM Seal Conversion Kit
B32596	1/4 in FFKM Seal Conversion Kit
B32597	3/8 in FFKM Seal Conversion Kit
B32598	1/2 in FFKM Seal Conversion Kit
B32599	5/8 in FFKM Seal Conversion Kit
B32646	3/4 in FFKM Seal Conversion Kit
B32569	3/8 in FFKM Wolverine Advanced Seal Conversion Kit
B32570	1/2 in FFKM Wolverine Advanced Seal Conversion Kit
B32571	5/8 in FFKM Wolverine Advanced Seal Conversion Kit
B32572	3/4 in FFKM Wolverine Advanced Seal Conversion Kit









# Index

Part No.	Page No.	Part No.	Page No.	Part No.	Page No.	Part No.	Page No.
A29100	28	A29254	29	A29651	34	A30066	49
A29101	28	A29255	29	A29653	34	A30067	49
A29102	28	A29500	31	A29654	34	A30068	49
A29104	28	A29501	31	A29655	34	A30069	49
A29105	28	A29502	31	A29700	36	A30070	49
A29106	28	A29504	31	A29701	36	A30071	49
A29107	28	A29505	31	A29702	36	A30080	49
A29108	28	A29506	31	A29704	36	A30081	49
A29109	28	A29507	31	A29705	36	A30082	49
A29111	28	A29508	31	A29706	36	A30083	49
A29112	28	A29509	31	A29707	36	A30084	49
A29113	28	A29511	31	A29708	36	A30085	49
A29114	28	A29512	31	A29709	36	A30087	49
A29115	28	A29513	31	A29711	36	A30088	49
A29116	28	A29514	31	A29712	36	A30089	49
A29118	28	A29515	31	A29713	36	A30090	49
A29119	28	A29516	31	A29714	36	A30091	49
A29120	28	A29518	31	A29715	36	A30100	43, 49
A29121	28	A29519	31	A29716	36	A30101	43, 49
A29122	28	A29520	31	A29718	36	A30102	43, 49
A29123	28	A29521	31	A29719	36	A30103	43, 49
A29125	28	A29522	31	A29720	36	A30104	43, 49
A29126	28	A29523	31	A29721	36	A30105	43, 49
A29127	28	A29525	31	A29722	36	A30120	43, 49
A29128	28	A29526	31	A29723	36	A30121	43, 49
A29129	28	A29527	31	A29725	36	A30122	43, 49
A29130	28	A29528	31	A29726	36	A30123	43, 49
A29132	28	A29529	31	A29727	36	A30124	43, 49
A29133	28	A29530	31	A29728	36	A30125	43, 49
A29134	28	A29532	31	A29729	36	A30140	43, 49
A29135	28	A29533	31	A29730	36	A30141	43, 49
A29136	28	A29534	31	A29732	36	A30142	43, 49
A29137	28	A29535	31	A29733	36	A30143	43, 49
A29139	28	A29536	31	A29734	36	A30144	43, 49
A29140	28	A29537	31	A29735	36	A30145	43, 49
A29141	28	A29539	31	A29736	36	A30160	43, 49
A29142	28	A29540	32	A29737	36	A30161	43, 49
A29143	28	A29541	32	A29739	36	A30162	43, 49
A29144	28	A29542	32	A29740	36	A30163	43, 49
A29146	28	A29543	32	A29741	36	A30164	43, 49
A29147	28	A29544	32	A29742	36	A30165	43, 49
A29148	28	A29546	32	A29743	36	A30200	39, 49
A29149	28	A29547	32	A29744	36	A30201	39, 49
A29150	28	A29548	32	A29746	36	A30202	39, 49
A29151	28	A29549	32	A29747	36	A30203	39, 49
A29153	28	A29550	32	A29748	36	A30204	39, 49
A29154	28	A29551	32	A29749	36	A30205	39, 49
A29155	28	A29553	32	A29750	36	A30210	39, 49
A29200	29	A29554	32	A29751	36	A30211	39, 49
A29201	29	A29555	32	A29753	36	A30212	39, 49
A29202	29	A29600	34	A29754	36	A30213	39, 49
A29204	29	A29601	34	A29755	36	A30214	39, 49
A29205	29	A29602	34	A30000	49	A30215	39, 49
A29206	29	A29604	34	A30001	49	A30260	39, 49
A29207	29	A29605	34	A30002	49	A30261	39, 49
A29208	29	A29606	34	A30003	49	A30262	39, 49
A29209	29	A29607	34	A30004	49	A30263	39, 49
A29211	29	A29608	34	A30005	49	A30264	39, 49
A29212	29	A29609	34	A30006	49	A30265	39, 49
A29213	29	A29611	34	A30007	49	A30300	39, 43, 50
A29214	29	A29612	34	A30008	49	A30301	39, 43, 50
A29215	29	A29613	34	A30009	49	A30302	39, 43, 50
A29216	29	A29614	34	A30010	49	A30303	39, 43, 50
A29218	29	A29615	34	A30011	49	A30304	39, 43, 50
A29219	29	A29616	34	A30020	49	A30310	39, 43, 50
A29220	29	A29618	34	A30021	49	A30311	39, 43, 50
A29221	29	A29619	34	A30022	49	A30312	39, 43, 50
A29222	29	A29620	34	A30023	49	A30313	39, 43, 50
A29223	29	A29621	34	A30024	49	A30313T12	39, 50
A29225	29	A29622	34	A30025	49	A30314	39, 43, 50
A29226	29	A29623	34	A30026	49	A30400	39, 43, 50
A29227	29	A29625	34	A30027	49	A30401	39, 43, 50
A29228	29	A29626	34	A30028	49	A30402	39, 43, 50
A29229	29	A29627	34	A30029	49	A30403	39, 43, 50
A29230	29	A29628	34	A30030	49	A30404	39, 43, 50
A29232	29	A29629	34	A30031	49	A30410	39, 43, 50
A29233	29	A29630	34	A30040	49	A30411	39, 43, 50
A29234	29	A29632	34	A30041	49	A30412	39, 43, 50
A29235	29	A29633	34	A30042	49	A30413	39, 43, 50
A29236	29	A29634	34	A30043	49	A30413T12	39, 50
A29237	29	A29635	34	A30044	49	A30414	39, 43, 50
A29239	29	A29636	34	A30045	49	A30500	39, 43, 50
A29240	29	A29637	34	A30046	49	A30501	39, 43, 50
A29241	29	A29639	34	A30047	49	A30502	39, 43, 50
A29242	29	A29640	34	A30048	49	A30503	39, 43, 50
A29243	29	A29641	34	A30049	49	A30504	39, 43, 50
A29244	29	A29642	34	A30050	49	A30510	39, 43, 50
A29246	29	A29643	34	A30051	49	A30511	39, 43, 50
A29247	29	A29644	34	A30060	49	A30512	39, 43, 50
A29248	29	A29646	34	A30061	49	A30513	39, 43, 50
A29249	29	A29647	34	A30062	49	A30513T12	39, 50
A29250	29	A29648	34	A30063	49	A30514	39, 43, 50
A29251	29	A29649	34	A30064	49	A30600	39, 43, 50
A29253	29	A29650	34	A30065	49	A30601	39, 43, 50

# Index

Part No.	Page No.	Part No.	Page No.	Part No.	Page No.	Part No.	Page No.
A30602	39, 43, 50	B52N38	16	B32021	17, 81	B32144	95
A30603	39, 43, 50	B52N39	16	B32023	90	B32145	95
A30604	39, 43, 50	B52N40	16	B32024	78, 80, 84, 92	B32146	90
A30610	39, 43, 50	B52N41	16	B32025	78, 80, 84, 92	B32147	90
A30611	39, 43, 50	B52N42	16	B32026	78, 84, 92	B32149	91
A30612	39, 43, 50	B52N43	16	B32027	78, 84, 92	B32151	90
A30613	39, 43, 50	B52N44	16	B32028	78, 84, 92	B32153	96
A30613T12	39, 50	B52N45	16	B32029	78, 84, 92	B32157	79, 90
A30614	39, 43, 50	B52N46	16	B32033	78	B32158	79, 90
A30700	39, 43, 50	B52N47	16	B32034	96	B32159	79, 90
A30701	39, 43, 50	B52N48	16	B32035	96	B32160	79, 90
A30702	39, 43, 50	B52N49	16	B32036	96	B32162	79, 97
A30703	39, 43, 50	B52N50	16	B32037	82	B32163	97
A30704	39, 43, 50	B52N51	16	B32038	79, 84, 92	B32164	97
A30710	39, 43, 50	B52N52	16	B32039	79, 84, 92	B32165	96
A30711	39, 43, 50	B52N53	16	B32040	79, 84, 92	B32166	96
A30712	39, 43, 50	B52N54	16	B32041	78	B32172	96
A30713	39, 43, 50	B52N55	16	B32042	78	B32173	96
A30713T12	39, 50	B52N56	16	B32043	78	B32174	96
A30714	39, 50	B52N57	16	B32044	78	B32175	97
A30800	39, 43, 50	B52N58	16	B32045	79, 82, 93	B32176	97
A30801	39, 43, 50	B52N59	16	B32046	79, 80, 82, 93	B32177	97
A30802	39, 43, 50	B52N60	16	B32047	79, 82, 93	B32178	97
A30803	39, 43, 50	B52N61	16	B32048	79, 82, 93	B32179	97
A30804	39, 43, 50	B52N62	16	B32049	79, 82, 93	B32180	78, 95
A30810	39, 43, 50	B52N63	16	B32050	79, 82, 93	B32181	78, 95
A30811	39, 43, 50	B52N64	16	B32051	79, 82, 93	B32182	95
A30812	39, 43, 50	B52N65	16	B32060	84	B32183	78, 95
A30813	39, 43, 50	B52N66	16	B32061	84	B32184	78, 95
A30813T12	39, 50	B52N67	16	B32062	80, 84	B32185	78, 95
A30814	39, 43, 50	B52N68	16	B32063	84	B32186	95
A30960	10, 49	B52N69	16	B32064	84	B32187	78, 96
A30961	10, 49	B52N70	16	B32065	84	B32188	96
A30962	10, 49	B52N71	16	B32068	17	B32190	96
A30965	10, 49	B52N72	16	B32069	17, 96	B32191	62, 90, 97
A30966	10, 49	B52N73	16	B32070	17	B32192	97
A30967	10, 49	B52N74	16	B32071	17	B32193	96
A30970	10, 50	B52N75	16	B32072	82, 90	B32194	96
A30971	10, 50	B52N76	16	B32073	17	B32195	96
A30972	10, 50	B52N77	16	B32074	17	B32196	96
A30980	10, 50	B52N78	16	B32075	90	B32197	96
A30981	10, 50	B52N79	16	B32079	80	B32198	96
A30982	10, 50	B52N80	16	B32083	89	B32199	96
A30990	10, 50	B52N81	16	B32084	89	B32203	96
A30991	10, 50	B52N82	16	B32085	78	B32204	97
A30992	10	B52N83	16	B32086	78	B32205	97
A30993	50	B52N84	16	B32087	79	B32206	97
A266254	48	B52N85	16	B32088	79, 90	B32207	97
B52A00	15	B52N86	16	B32089	79, 82, 90	B32208	90
B52A01	15	B52N87	16	B32090	89	B32209	91
B52A02	15	B52N88	16	B32091	89	B32210	91
B52A03	15	B52N89	16	B32092	79	B32211	91
B52A04	15	B52N90	16	B32094	78, 93, 98	B32212	91
B52A05	15	B52N91	16	B32095	78, 93, 98	B32213	91
B52A06	15	B52N92	16	B32096	78, 93, 98	B32215	91
B52A07	15	B52N93	16	B32097	78, 93, 98	B32216	84, 92
B52N00	16	B52N94	16	B32098	78, 93, 98	B32217	84, 92
B52N01	16	B52N95	16	B32099	78, 93, 98	B32218	84, 92
B52N02	16	B52N96	16	B32100	78, 93, 98	B32219	84, 92
B52N03	16	B52N97	16	B32101	78, 93, 98	B32220	84, 92
B52N04	16	B17501	10	B32102	78, 93, 98	B32221	84, 92
B52N05	16	B17502	10	B32103	78, 93, 98	B32222	84, 92
B52N06	16	B17503	10	B32104	78, 93, 98	B32223	84, 92
B52N07	16	B17504	10	B32105	78, 93, 98	B32224	79, 84, 92
B52N08	16	B17505	10	B32106	82	B32225	79, 84, 92
B52N09	16	B17506	10	B32107	90	B32226	78, 92
B52N10	16	B17551	10	B32109	90	B32227	78, 92
B52N11	16	B17552	10	B32110	20	B32228	78, 92
B52N12	16	B17553	10	B32111	79, 84, 92	B32229	78, 92
B52N13	16	B17554	10	B32113	78, 84, 92	B32230	78, 92
B52N14	16	B17555	10	B32114	78, 84, 92	B32231	78, 92
B52N15	16	B17556	10	B32115	78, 93, 98	B32232	78, 92
B52N16	16	B17601	10	B32116	78, 93, 98	B32233	78, 92
B52N17	16	B17602	10	B32117	78, 93, 98	B32234	79, 84, 92
B52N18	16	B17603	10	B32118	78, 93, 98	B32235	79, 84, 92
B52N19	16	B17604	10	B32119	78, 93, 98	B32238	82, 91
B52N20	16	B17605	10	B32120	78, 93, 98	B32239	82, 91
B52N21	16	B17606	10	B32121	78, 93, 98	B32240	79, 97
B52N22	16	B17651	10	B32122	78, 93, 98	B32241	95
B52N23	16	B17652	10	B32123	78, 93, 98	B32242	95
B52N24	16	B17653	10	B32124	78, 93, 98	B32243	95
B52N25	16	B17654	10	B32125	78, 93, 98	B32244	95
B52N26	16	B17655	10	B32126	78, 93, 98	B32245	95
B52N27	16	B17656	10	B32127	78, 93, 98	B32246	95
B52N28	16	B32001	20	B32128	78, 93, 98	B32247	95
B52N29	16	B32002	12, 83	B32129	78, 93, 98	B32248	91
B52N30	16	B32009	81	B32130	78, 93, 98	B32249	91
B52N31	16	B32012	17, 81	B32134	90, 91	B32250	62, 97
B52N32	16	B32014	17, 81	B32135	80	B32251	62
B52N33	16	B32016	17	B32139	95	B32253	62
B52N34	16	B32017	17, 81	B32140	95	B32254	78
B52N35	16	B32018	17	B32141	95	B32255	78
B52N36	16	B32019	82	B32142	95	B32256	62, 78
B52N37	16	B32020	82	B32143	95	B32257	78



# Index

Part No.	Page No.	Part No.	Page No.	Part No.	Page No.	Part No.	Page No.
B32258	78	B32509	89	B32629	20, 22	B52207	15
B32259	78	B32510	89	B32630	20, 22	B52208	15
B32260	78	B32511	89	B32631	20, 22	B52209	15
B32261	78	B32512	89	B32632	20, 22	B52210	15
B32262	78	B32513	89	B32643	20, 22	B52211	15
B32263	78	B32514	89	B32644	20, 22	B52212	15
B32264	62, 78	B32516	88	B32646	94, 99	B52213	15
B32265	78	B32517	88	B32696	20, 83	B52214	15
B32266	62, 78	B32518	88	B32699	20, 22	B52215	15
B32267	78	B32519	88	B32717	38	B52216	15
B32268	79	B32520	88	B32718	38	B52217	15
B32270	62	B32521	88	B32722	86	B52218	15
B32271	79	B32523	88	B32723	86	B52219	15
B32272	62	B32524	88	B32724	86	B52220	15
B32273	62	B32525	88	B32725	86	B52221	15
B32274	62, 79	B32526	88	B32726	86	B52222	15
B32275	78	B32527	88	B32727	86	B52223	15
B32277	79	B32528	88	B32733	12, 83	B52224	15
B32302	62	B32530	88	B32734	12, 83	B52225	15
B32401	90, 91	B32531	88	B32735	12, 83	B52226	15
B32403	90	B32532	88	B32736	12, 83	B52227	15
B32405	90, 91	B32533	88	B32739	12, 17, 81, 83	B52228	15
B32406	90, 91	B32534	88	B32744	17, 81	B52229	15
B32407	89	B32535	88	B32745	17, 81	B52230	15
B32408	89	B32536	90, 91	B32746	17, 81	B52231	15
B32409	89	B32537	91	B32747	17, 81	B52232	15
B32410	89	B32538	91	B32748	17, 81	B52233	15
B32411	89	B32539	90, 91	B32749	17, 81	B52234	15
B32413	90	B32540	90, 91	B32751	17, 81	B52235	15
B32414	90	B32541	90, 91	B32752	17, 81	B52236	15
B32416	90	B32542	90, 91	B32753	17, 81	B52237	15
B32417	90	B32543	84	B32756	17	B52238	15
B32418	90	B32544	84	B32757	17	B52239	15
B32420	87	B32545	84	B32758	17	B52240	15
B32421	87	B32546	84	B32759	17	B52241	15
B32422	87	B32547	84	B32761	12, 83	B52242	15
B32423	87	B32548	84	B32767	79	B52243	15
B32424	87	B32549	86	B32771	22	B52244	15
B32425	87	B32550	86	B32773	22	B52245	15
B32426	90	B32551	86	B32774	12, 83	B52246	15
B32427	90	B32552	86	B32775	12, 83	B52247	15
B32429	85	B32553	86	B32776	12, 83	B52248	15
B32430	85	B32554	86	B32777	12, 83	B52249	15
B32431	85	B32555	86	B32778	12, 83	B52250	15
B32432	85	B32556	86	B32779	12, 83	B52251	15
B32433	85	B32557	86	B32780	12, 83	B52252	15
B32434	85	B32558	86	B32781	12, 83	B52253	15
B32436	85	B32559	86	B32782	12, 83	B52254	15
B32437	85	B32560	86	B32783	12, 83	B52255	15
B32438	85	B32561	86	B32784	12, 83	B52256	15
B32439	85	B32562	86	B32785	12, 83	B52257	15
B32440	85	B32563	86	B32789	17, 81	B52258	15
B32441	85	B32564	86	B32790	17, 81	B52259	15
B32443	85	B32565	86	B32791	17, 81	B52260	15
B32444	85	B32566	86	B32792	17, 81	B52261	15
B32445	85	B32567	86	B32793	17, 81	B52262	15
B32446	85	B32568	86	B32794	17, 81	B52263	15
B32447	85	B32569	86, 94, 99	B32795	17, 81	B52264	15
B32448	85	B32570	86, 94, 99	B32796	17, 81	B52265	15
B32450	85	B32571	86, 94, 99	B32797	17, 81	B52266	15
B32451	85	B32572	86, 94, 99	B32798	12, 83	B52267	15
B32452	85	B32573	94, 99	B32799	12, 83	B52268	15
B32453	85	B32574	94, 99	B32800	12, 83	B52269	15
B32454	85	B32575	94, 99	B32801	12, 83	B52270	15
B32455	85	B32576	94, 99	B32802	12, 83	B52271	15
B32467	80	B32577	94, 99	B32803	12, 83	B52272	15
B32477	89	B32578	94, 99	B32804	12, 83	B52273	15
B32478	89	B32579	94, 99	B32806	78, 79	B52274	15
B32479	82, 90	B32580	94, 99	B32807	78, 79	B52275	15
B32480	90	B32581	94, 99	B32808	16	B52276	15
B32482	88	B32582	94, 99	B32809	16	B52277	15
B32483	88	B32583	94, 99	B32811	20, 83	B52278	15
B32484	88	B32584	94, 99	B32826	78	B52279	15
B32485	88	B32585	94, 99	B32827	78	B52280	15
B32486	88	B32586	94, 99	B32828	78	B52281	15
B32487	88	B32587	94, 99	B32829	78	B52282	15
B32489	87	B32588	94, 99	B32849	22	B52283	15
B32490	87	B32589	94, 99	B32851	20	B52284	15
B32491	87	B32590	94, 99	B32852	20	B52401	15
B32492	87	B32591	94, 99	B32853	20	B52402	15
B32493	87	B32592	94, 99	B32868	22	B52403	15
B32494	87	B32593	94, 99	B32872	12	B52404	15
B32496	87	B32594	94, 99	B52100	15	B52405	15
B32497	87	B32595	94, 99	B52101	15	B52406	15
B32498	87	B32596	94, 99	B52150	15	B52407	15
B32499	87	B32597	94, 99	B52151	15	B52408	15
B32500	87	B32598	94, 99	B52152	12, 83	B52409	15
B32501	87	B32599	94, 99	B52200	15	B52410	15
B32503	87	B32608	78, 79	B52201	15	B52411	15
B32504	87	B32610	78, 79	B52202	15	B52412	15
B32505	87	B32614	17	B52203	15	B52413	15
B32506	87	B32616	82	B52204	15	B52414	15
B32507	87	B32627	20, 22	B52205	15	B52415	15
B32508	87	B32628	22	B52206	15	B52416	15

# Index

Part No. Page No.

---

B52417	15
B52418	15
B52419	15
B52420	15
B52421	15
B52422	15
B52423	15
B52424	15
B52425	15
B52426	15
B52427	15
B52428	15
B52429	15
B52430	15
B52431	15
B52432	15
B52433	15
B52434	15
B52435	15
B52436	15
B52437	15
B52438	15
B52439	15
B52440	15
B52441	15
B52442	15
B52443	15
B52444	15
B52445	15
B52446	15
B52447	15
B52448	15
B52449	15
B52450	15
B52451	15
B52452	15
B52453	15
B52454	15
B52455	15
B52456	15
B52457	15
B52458	15
B52459	15
B52460	15
B52461	15
B52462	15
B52463	15
B52464	15
B52465	15
B52466	15
B52467	15
B52468	15
B52469	15
B52470	15
B52471	15
B52472	15
B52473	15
B52474	15
B52475	15
B52476	15
B52477	15
B52478	15
B52479	15
B52480	15
B52481	15
B52482	15
B52483	15
B52484	15
B52485	15
B52486	15
B52487	15
B52488	15
B52489	15
B52490	15
B52491	15
B52492	15
B52493	15
B52494	15
B52495	15
B52496	15
B52497	15



## AMERICAS

### MINNESOTA

Worldwide Headquarters  
Graco Inc.  
88-11th Avenue N.E.  
Minneapolis, MN 55413

### MAILING ADDRESS

P.O. Box 1441  
Minneapolis, MN 55440-1441  
Tel: 612-623-6000  
Fax: 612-623-6777

## EUROPE

### BELGIUM

Graco BVBA  
Industrieterrein-Oude Bunders  
Slakweidestraat 31  
B-3630 Maasmechelen,  
Belgium  
Tel: 32 89 770 700  
Fax: 32 89 770 777

## ASIA PACIFIC

### AUSTRALIA

Graco Australia Pty Ltd.  
Suite 17, 2 Enterprise Drive  
Bundoora, Victoria 3083  
Australia  
Tel: 61 3 9468 8500  
Fax: 61 3 9468 8599

### CHINA

Asia Pacific Headquarters  
Building 7  
1029 Zhongshan Road South  
Huangpu District  
Shanghai 200011  
P.R. China  
Tel: +86 512 62605711  
Reception desk: +86 21 6495 0088

### INDIA

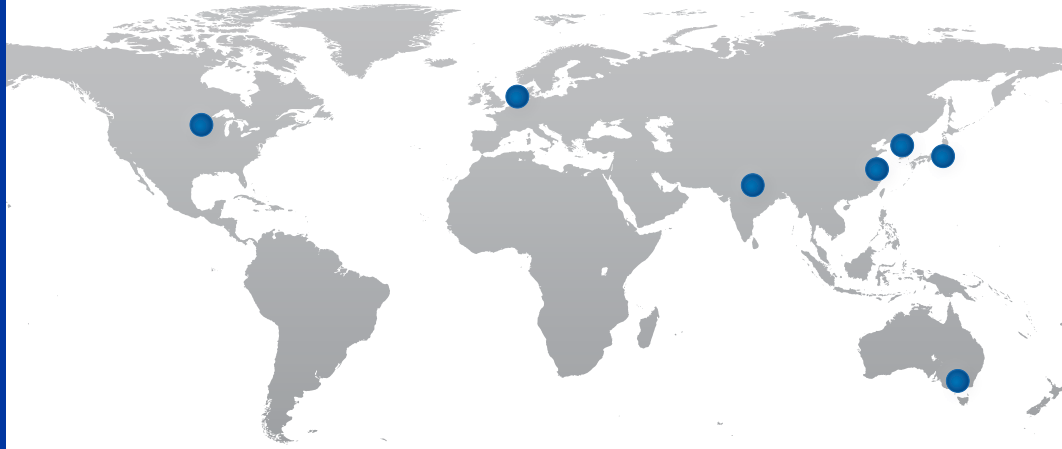
Graco India Pvt Ltd  
Plot No 295, Udyog Vihar Phase-IV  
Gurugram - 122015 (Haryana)  
India  
Phone: +91 124 6610200  
Fax: +91 124 6610201

### JAPAN

Graco K.K.  
1-27-12 Hayabuchi  
Tsuzuki-ku  
Yokohama City, Japan 2240025  
Tel: 81 45 593 7300  
Fax: 81 45 593 7301

### KOREA

Graco Korea Inc.  
438, Samsung 1-ro 1-gil  
Hwaseong-si, Gyeonggi-do, 18449  
South Korea  
Phone: +82 31-476-9400  
Fax: +82 31-476-9801



# Graco's got you covered

Facilities Worldwide for Global Support



## Quality First

At Graco we pride ourselves on providing best-in-class products. Engineered solutions are manufactured in our own facilities, with the highest standards in the industry. We provide you with world-class customer support and expertise to help solve your lubrication challenges.



## Global Reach

Graco has facilities across the globe to provide you with the products and service *you* need, where *you* live. Plus, Graco has dedicated field experts in all areas of the world to support the products we sell.



## Product Capabilities

Graco has a broad range of products to provide solutions that meet your needs. Our products are engineered and tested to perform in the harshest environments so you can be certain your equipment is protected and working at peak performance.

Contact us today!

Call today for product information or to request a demonstration.  
**866-552-1868**, email [oilandgas@graco.com](mailto:oilandgas@graco.com) or  
visit us at [www.graco.com](http://www.graco.com)

