

G3™ Pump with Auto-Fill Shutoff

Clean, Trouble-free Refilling Without Using Electronics



Eliminates Over- or Under-Filling

- Completely fill the reservoir every time while avoiding costly spills
- Does not require power to operate
- Complies with stringent mining regulations where a system must be powered down during fluid refilling
- Compatible with fast-fill-equipped lubrication trucks

Reservoir Full Visual Indication

- Valve Plate activates a poppet valve, which cuts off grease flow into the reservoir
- Poppet indicator can incorporate a signal switch for ground level monitoring

G3™ Lubrication Pumps Featuring Auto-Fill Shutoff

Versatile line of G3 Pumps (Standard, Pro, and Max) offered with a factory-installed Auto-Fill Shutoff (AFSO). The AFSO feature automatically shuts off lubricant flow from a fill pump to the G3 reservoir once the G3 reservoir is full, eliminating the need to monitor the reservoir level during refilling.

The G3 AFSO is based on the same design concept as the Auto-Fill Shutoff offered in conjunction with the robust Electric Dyna-Star product line. Eliminate the need to climb up on equipment to refill an empty reservoir by adding Remote Fill Manifold 77X542 to your system at ground level.



	Voltage	G3 Model	Reservoir Size		Number of Cycle/Pressure Input	Vent Valve Output*	Wiper Arm	Low Level	Power Connection
			4 liter	8 liter					
Application Grease	24 VDC	Standard	96G210	96G213			•	•	DIN
			–	96G217			•	•	5 Wire CPC**
		Pro	96G211	96G214			•	•	5 Wire CPC**
		Max	96G212	96G215	1	•	•	•	5 Wire CPC**
	90-240 VAC	Standard	–	96G207			•	•	DIN
		Pro	–	96G208			•	•	DIN
Max		–	96G209	1	•	•	•	DIN	

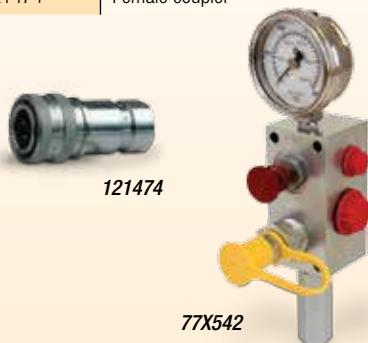
*If not connected, use part number 16T854 to cover the Vent Valve Output and maintain IP69K rating.

**G3 Max pumps with the 5 Wire CPC power connection are compatible with a Remote Manual Run/Monitoring Light Device to provide external fault indication. Choose part number 571030 for 12 VDC pumps or 571031 for 24 VDC pumps.

**Low level in CPC.

Remote Fill Manifold

Part Number	Description
77X542	Remote-fill port manifold with vent
121474	Female coupler



AFSO Field Conversion Kits

Part Number	Description
571286	G3 AFSO 4L Field Conversion Kit
571287	G3 AFSO 8L Field Conversion Kit
571288	G3 AFSO 12L Field Conversion Kit
571289	G3 AFSO 16L Field Conversion Kit



Electronic Use Only

©2017 Graco Inc. 352584 Rev. B 03/17 All other brand names or marks are used for identification purposes and are trademarks of their respective owners. All written and visual data contained in this document are based on the latest product information available at the time of publication. Graco reserves the right to make changes at any time without notice.

Contact us today!

Call **800-533-9655** to speak with a Graco representative, or visit **www.graco.com** for more information.

