

Hose Reels

A Complete Family of High Quality Reels



The Industry's most Trusted Hose Reels for:

- Fast lubes
- Car/truck dealerships
- Municipalities and transits
- General service shops
- Lube trucks
- Construction equipment
- Fleet maintenance shops
- Manufacturing plants

PROVEN QUALITY. LEADING TECHNOLOGY.

Reliable Fluid Delivery Equipment



From bulk fluid pumping to precise dispense, Graco's got you covered

- Choose the power and durability for your application—Graco offers LD, SD or XD Series™ products to fit your needs and budget
- Trusted field-proven durability for more than 80 years
- Engineered features to help you work smarter and faster
- Category leading warranties
- Designed and tested with Graco quality standards and backed with outstanding worldwide sales and service

Contact us today!

Call **800-533-9655** to speak with a Graco representative,
or visit www.graco.com for more information.



Durability and Value!

A Complete Family of High Quality Reels

From the LD Series™ for small shops to extreme duty, high-flow applications of the XD Series™, Graco has the reels you need to keep you working. Each reel is engineered and tested for exceptional performance and manufactured to work when you need them. When quality counts, choose Graco hose reels.

What Makes a Good Hose Reel?

Hose length and size are important, but the spring, latch and swivel are really the core of a hose reel. Our new spring design makes it easy to pull down and retract the hose so you don't have to fight to get it to operate. Plus, a durable full-flow swivel maximizes fluid flow with minimal pressure drop.



Typical Users

- Fast lubes
- Car/truck dealerships
- Lube trucks
- Manufacturing plants
- General service shops
- Construction equipment and fleet maintenance shops
- Municipalities and transits

Typical Fluids

- Lubricating grease
- Petroleum- and synthetic-based oils, hydraulic fluid and gear oils
- Automatic transmission fluid
- Air
- Water
- Diesel exhaust fluid



Return-on-Investment

Engineered for professionals with quality materials that last. Each hose reel is fully tested to Graco's high standards so you can be sure it will work when you need it.

Single or Dual Pedestal Options

Heavy-duty, high-strength steel construction with rolled edges and ribbed stress points for more strength than ever before.

Improved High-Demand Spring

Long-life spring extends and retracts with constant force to reliably manage your hoses.

Full-Flow Swivel

Maximize material flow with minimal pressure drop for faster fills to get more vehicles through your shop.

Spring Adjustment

Increase or decrease spring tension while reel is pressurized with fluid (LD Enclosed and XD models).

Adjustable Arm

Easily change the arm position for your application.

Improved Latch Design

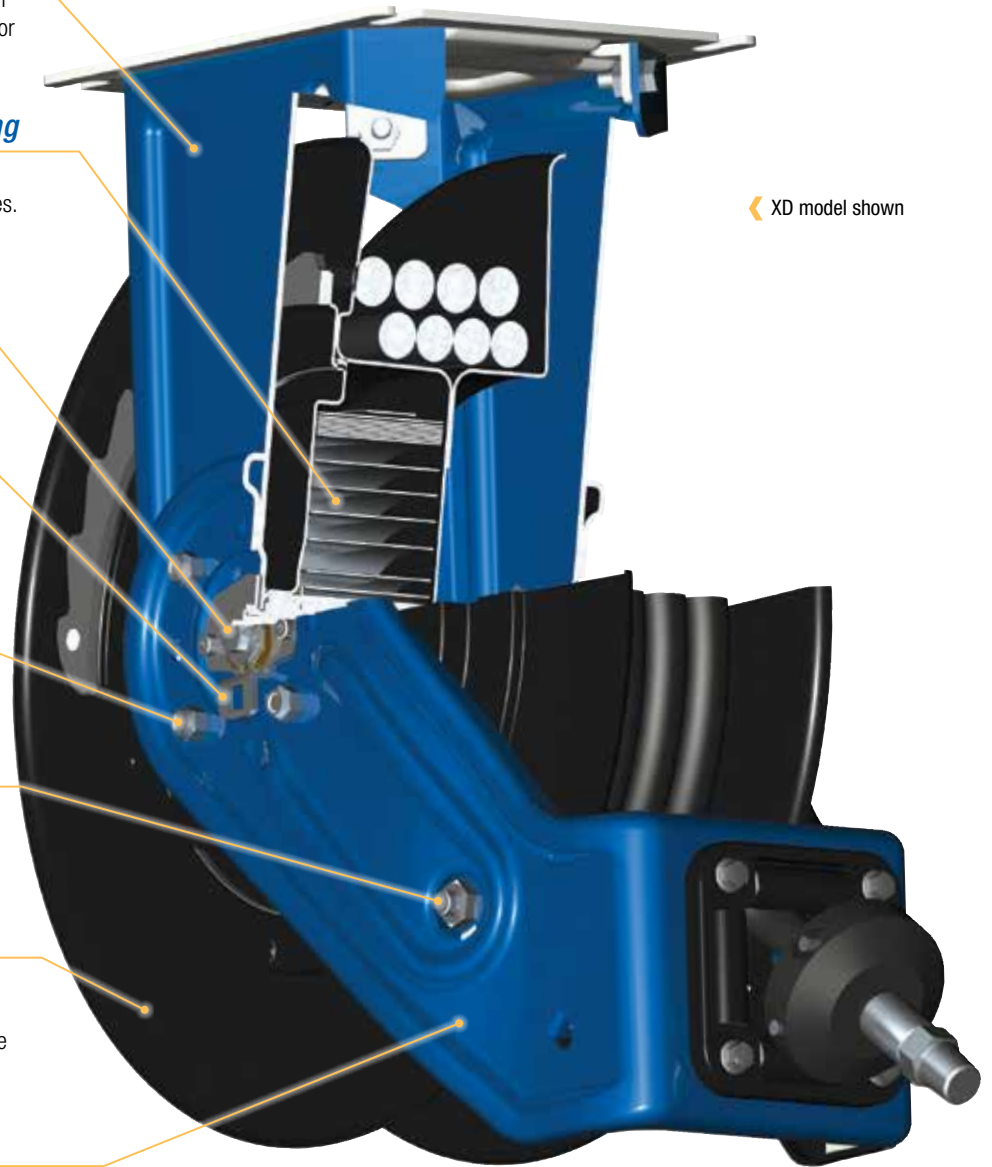
No more frustrating lock-out at full hose extension.

Larger Hose Capacity with Smaller Profile

Compact pedestal and spool fits into tight spaces and can accommodate 35-75 foot (10.7-22.8 meters) hose capacity for a wide variety of applications.

Durable Finish

Baked-on enamel finish protects reel from corrosion for longer life. (SD and XD models only)



XD model shown

Standard in-stock color: **metallic blue**





Shown with LD Series meter (not included)

LD Series™ Enclosed Reel

Economical enclosed hose reels get you up and running fast

Reduce clutter and increase workplace safety with a Graco one-piece hose reel. Designed for light duty applications in service garages, collision repair and industrial manufacturing facilities.

- Flexible mounting on wall, ceiling, bench or tank
- Enclosed for safety and protection, extends hose life
- Full-flow swivel maximizes fluid flow with minimal pressure drop
- Easy spring tension adjustment allows you to increase or decrease spring tension while reel is pressurized

SD Series™ Single Pedestal

Engineered for Everyday Use

Graco's SD line of hose reels feature Graco durability, performance and value built into every reel. With its durable metal spool and rigid pedestal frame, the compact SD Series is ideal for indoor and moderate outdoor use in car dealerships, fleet maintenance, public works garages and light-utility service trucks.

- Structurally engineered frame won't bend or flex
- Long-lasting spring provides constant torque through the entire range of motion
- Guide arm can be positioned for bench, wall, ceiling or truck
- Open swivel ports ensure high fluid flow with minimal pressure drop
- Enclosure kits are available for professional appearance and protection



Shown with SD Series meter (not included)



Shown with SD Series meter (not included)

XD Series™ Double Pedestal

Extreme Performer Available in Three Sizes

The High performance and heavy-duty XD Series is ideal for rugged indoor and outdoor use in truck dealerships, fleet maintenance, mining maintenance, public works garages, construction vehicle maintenance and service trucks.

- Dual pedestal frame gives you increased strength for reliable performance in extreme applications
- Sealed roller bearings keep contaminants out for trouble-free performance
- Long lasting spring is sealed for protection

AMERICAS

MINNESOTA

Worldwide Headquarters
Graco Inc.
88-11th Avenue N.E.
Minneapolis, MN 55413

MAILING ADDRESS

P.O. Box 1441
Minneapolis, MN 55440-1441
Tel: 612-623-6000 Fax: 612-623-6777

EUROPE

BELGIUM

Graco BVBA
Industrieterrein-Oude Bunders
Slakweidestraat 31
B-3630 Maasmechelen,
Belgium
Tel: 32 89 770 700 Fax: 32 89 770 777

ASIA PACIFIC

AUSTRALIA

Graco Australia Pty Ltd.
Suite 17, 2 Enterprise Drive
Bundoora, Victoria 3083
Australia
Tel: 61 3 9468 8500 Fax: 61 3 9468 8599

CHINA

Graco Hong Kong Ltd.
Shanghai Representative Office
Building 7
1029 Zhongshan Road South,
Huangpu District
Shanghai, 200011
The People's Republic of China
Tel: 86 21 649 50088 Fax: 86 21 649 50077

INDIA

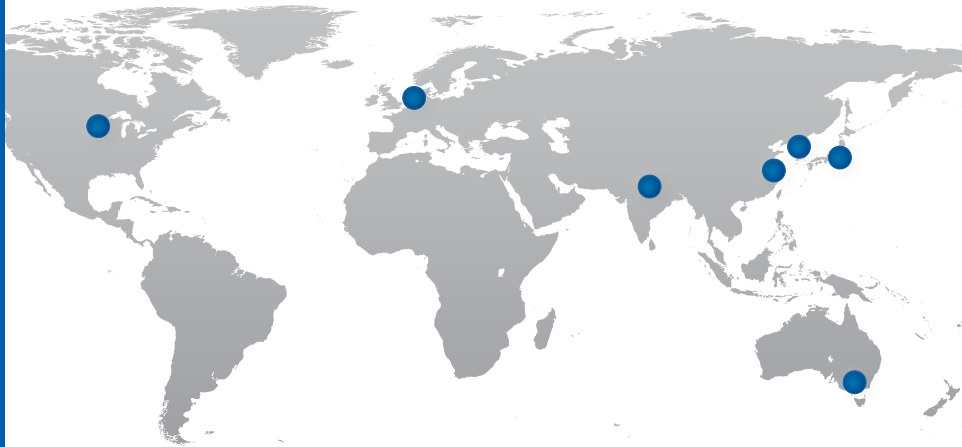
Graco Hong Kong Ltd.
India Liaison Office
Room 443, Level 4
Augusta Point, Golf Course Road
Gurgaon, Haryana, India 122001
Tel: 91 124 435 4208 Fax: 91 124 435 4001

JAPAN

Graco K.K.
1-27-12 Hayabuchi
Tsuzuki-ku
Yokohama City, Japan 2240025
Tel: 81 45 593 7300 Fax: 81 45 593 7301

KOREA

Graco Korea Inc.
Shinhan Bank Building
4th Floor #1599
Gwanyang-Dong, Dongan-Ku,
Anyang-si, Korea 431-060
Tel: 82 31 476 9400 Fax: 82 31 476 9801



Graco's got you covered

Facilities Worldwide for Global Support



Quality First

At Graco we pride ourselves on providing best-in-class products. Engineered solutions are manufactured in our own facilities, with the highest standards in the industry. We provide you with world-class customer support and expertise to help solve your lubrication challenges.



Global Reach

Graco has facilities and distribution partners across the globe to provide you with the products and service *you* need, where *you* live. Plus, Graco has dedicated field experts in all areas of the world to support the products we sell.



Product Capabilities

Graco has a broad range of products to provide solutions that meet your needs. Our products are engineered and tested to perform in the harshest environments so you can be certain your equipment is protected and working at peak performance.

Contact us today!

Call **800-533-9655** to speak with a Graco representative,
or visit **www.graco.com** for more information.

