

333505D

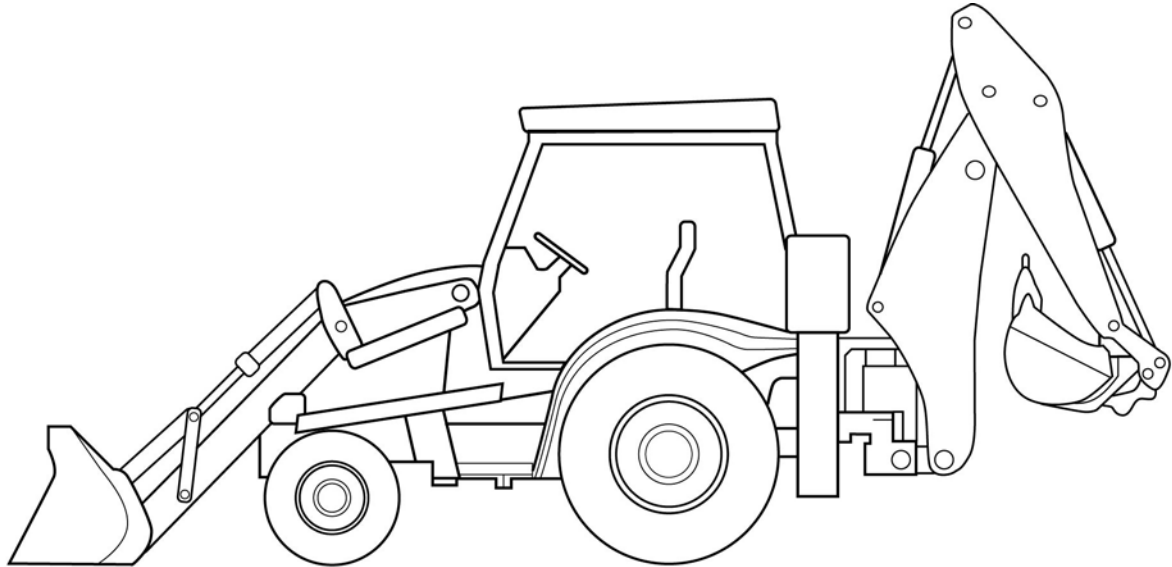
# Mobile Lubrication Library Backhoe



**Suggested automated lubrication system layout for Backhoe.**

**Kit No.: 24R379, G3, USP, 43PT**

*Maximum System Working Pressure: 3000 psi (206 bar, 20.7 MPa)*



### Important Safety Information

Read all warnings and instructions in all related manuals. Save all instructions.

Related Manuals	
Manual No.	Manual Title
332305	G3 Pump
3A0525	Pressure Relief Valve
3A0528	Remote Manual Run
3A0860	USP Valves



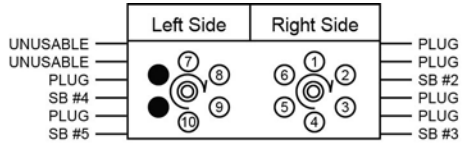
Fluid leaks from incorrectly installed or ruptured components, and/or failure to verify the components are properly installed and tested, can result in serious injury such as fluid spraying in the eyes or on skin and fluid injection, or equipment damage.

To prevent injury or equipment damage, installation must be done by a professional and tested prior to use. Consult Parker literature for specific hose assembly instructions. These instructions are available from your Parker representative or at [www.Parker.com/pdf](http://www.Parker.com/pdf).

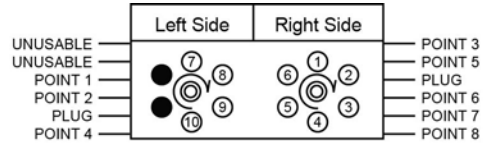
*The information contained in this document is only a recommendation for an automatic lubrication system and is not intended to replace the installation and maintenance instructions provided by the original equipment manufacturer.*

# Suggested Lube Points

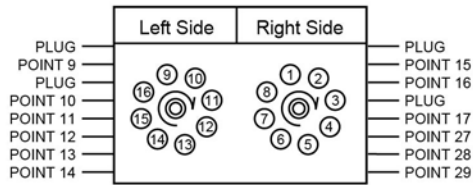
## USP Valves



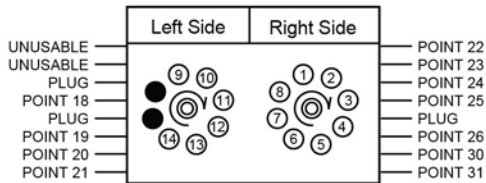
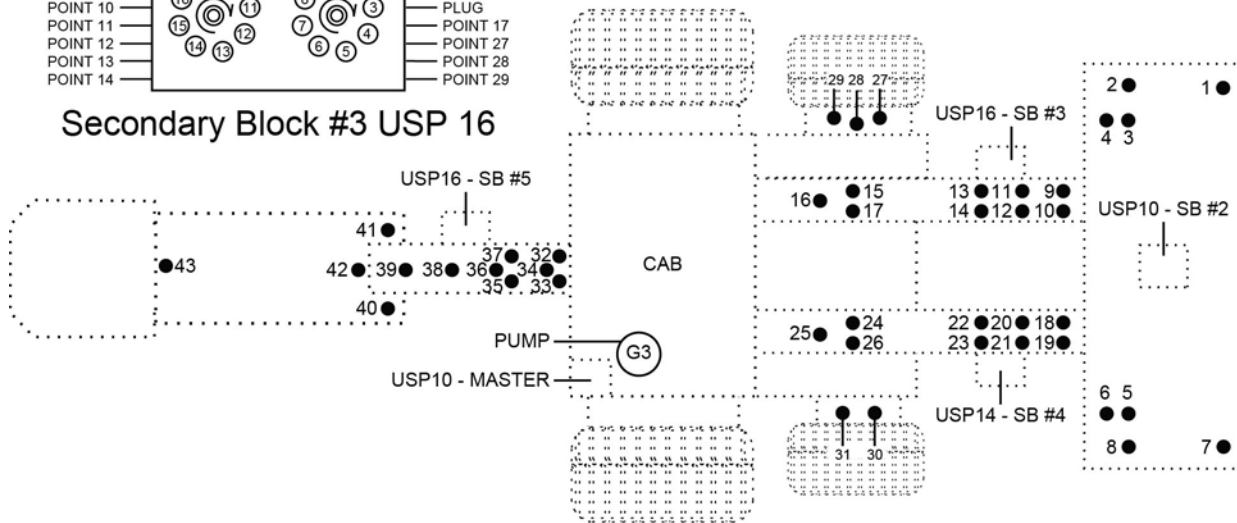
Master Block #1 USP 10



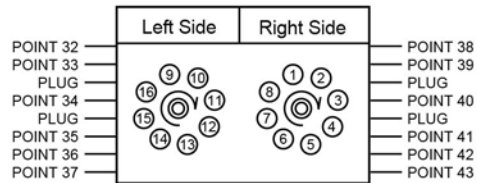
Secondary Block #2 USP 10



Secondary Block #3 USP 16



Secondary Block #4 USP 14



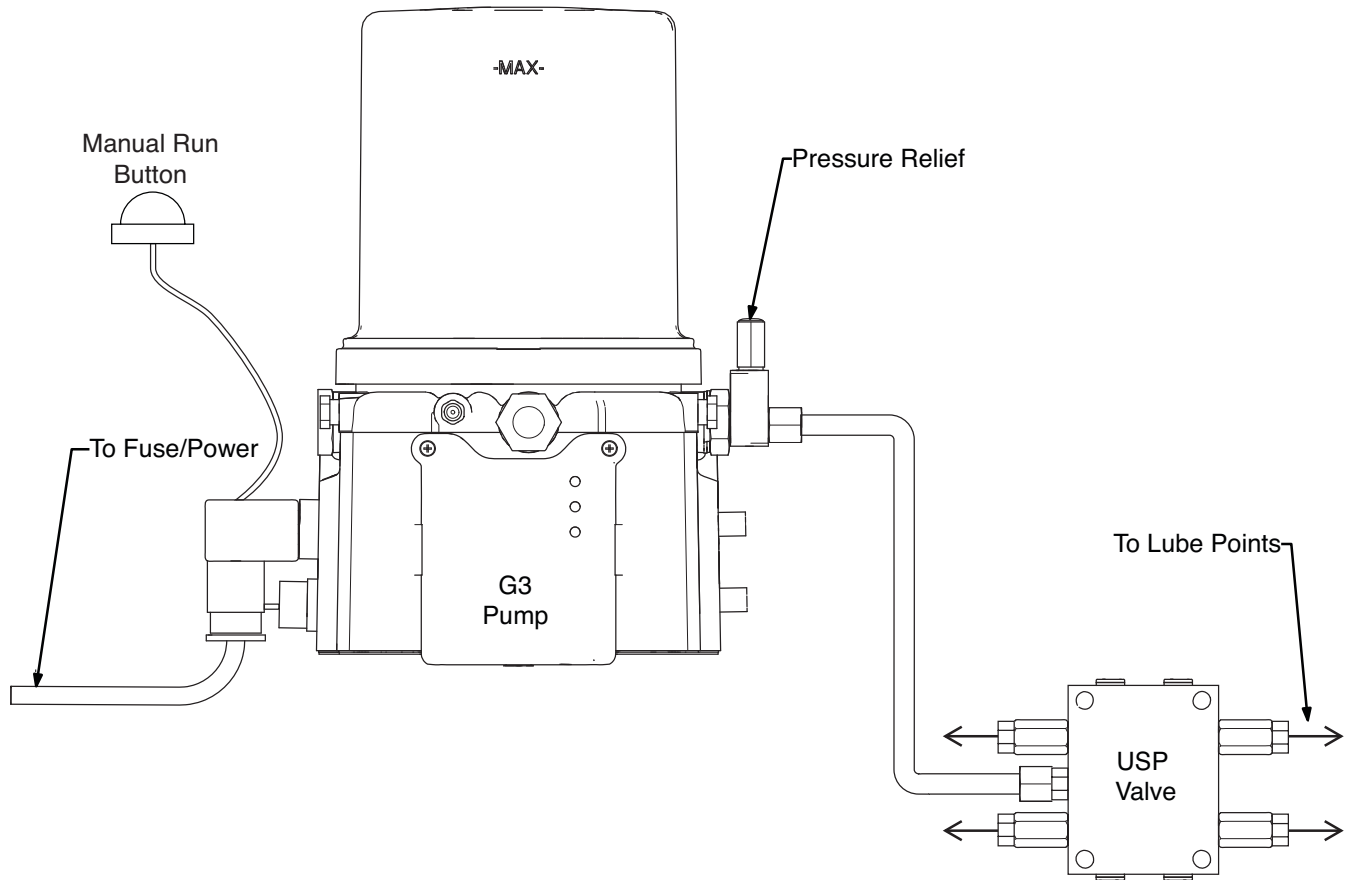
Secondary Block #5 USP 16

<b>LUBE POINT INFORMATION</b>				
<b>USP POINT</b>	<b>POINT NO.</b>	<b>VOLUME</b>	<b>USP BLOCK</b>	<b>BEARING DESCRIPTION</b>
7	1	Single	SB#2	Left 4 in 1 ram rod side
8	2	Single	SB#2	Left 4 in cylinder side
1	3	Single	SB#2	Left bucket top pivot
9 and 10	4	Double	SB#2	Left bucket bottom pivot
2	5	Single	SB#2	Right bucket top pivot
3 and 4	6	Double	SB#2	Right bucket bottom pivot
5	7	Single	SB#2	Right 4 in 1 ram side
6	8	Single	SB#2	Right 4 in 1 ram cylinder side
9 and 10	9	Double	SB#3	Left lower tipping link
11 and 12	10	Double	SB#3	Left upper tipping link
13	11	Single	SB#3	Left bucket crowd ram cylinder
14	12	Single	SB#3	Left loader arm center pivot
15	13	Single	SB#3	Left loader arm bottom link
16	14	Single	SB#3	Left loader lift ram rod end
1 and 2	15	Double	SB#3	Left main loader pivot
3	16	Single	SB#3	Left middle link
4 and 5	17	Double	SB#3	Left main lift cylinder end
6	27	Single	SB#3	Left top trunion bearing
7	28	Single	SB#3	Left bottom trunion bearing
8	29	Single	SB#3	Front axle pivot
9 and 10	18	Double	SB#4	Right upper tipping link
11 and 12	19	Double	SB#4	Right lower tipping link
13	20	Single	SB#4	Right bucket crowd ram cylinder end
14	21	Single	SB#4	Right loader arm center pivot
1	22	Single	SB#4	Right loader arm bottom link
2	23	Single	SB#4	Right loader lift ram rod end
3	24	Single	SB#4	Right main loader pivot
4	25	Single	SB#4	Right middle link
5 and 6	26	Double	SB#4	Right main lift ram cylinder end
7	30	Single	SB#4	Right top trunion bearing
8	31	Single	SB#4	Right bottom trunion bearing
9	32	Single	SB#5	Right slew ram rod end
10	33	Single	SB#5	Left slew ram rod end
11 and 12	34	Double	SB#5	Bottom king post bearing
13 and 14	35	Double	SB#5	Right lower boom pivot
15	36	Single	SB#5	Middle lower boom pivot
16	37	Single	SB#5	Left lower boom pivot
1	38	Single	SB#5	Dipper ram cylinder end
2	39	Single	SB#5	Dipper ram rod end
3 and 4	40	Double	SB#5	Boom - dipper main pivot
5 and 6	41	Double	SB#5	Boom - dipper main pivot
7	42	Single	SB#5	Bucket ram cylinder end
8	43	Single	SB#5	Bucket link top

<b>24R379: Recommended Kit Parts List</b>		
Part Number	Description	Qty
96G099	PUMP, G3-G-12MX-4L0L00-UDMVA1R2 (see manual 332305)	1
571036	KIT, accessory, cover	1
571028	KIT, accessory, pressure relief (see manual 3A0525)	1
24E408	KIT, valve, USP, 10 outlet (see manual 3A0860)	2
24E410	KIT, valve, USP, 14 outlet (see manual 3A0860)	1
24E411	KIT, valve, USP, 16 outlet (see manual 3A0860)	2
571032	KIT, remote manual run, 12V, w/ cable (see manual 3A0528)	1
24N008	KIT, accessory, mounting, USP, 10-12	3
24N009	KIT, accessory, mounting, USP, 14-16	2
128573	KIT, accessory, hose, 125 ft	1
556773	HOSE, end female swivel SAE 4 JIC	15
556763	FITTING, 4 JIC 1/8 pm	55
555749	CONNECTOR, 4 JIC 1/8 pm	55
557393	COUPLING, 1/8 fp x 1/8 mp x 1-1/4 HEX	52
556402	FITTING, 1/4 x 1/8 nptf hex	8
557349	PLUG, dryseal 1/8 nptf	5
128582	KIT, accessory, guard, scuff, 100 ft	1
15K783	FITTING, elbow, street, 1/8	5
127009	TIE, cable, 14.75' x .31" black	8
128571	KIT, accessory, hose, 400 ft	1
128580	KIT, accessory, guard, scuff, 325 ft	1
24F467	PLUG, USP, doubling plug	10
557944	CLAMP, 7/16, tube 4TS6-14002	20
128006	CLAMP, hose, .375 OD hose	30
563178	COUPLING, extension 1/8 female to 1/8 male	5
127013	FITTING, swivel, JIC 37D size #4	104

<b>USP VALVES* AND ACCESSORIES</b>	
Part Number	Description
24E406	KIT, valve, USP, 6 outlet
24E407	KIT, valve, USP, 8 outlet
24E409	KIT, valve, USP, 12 outlet
24E410	KIT, valve, USP, 14 outlet
24N007	KIT, mounting bracket, 6-8 outlets
*see manual 3A0860	

# Typical Pump Installation



## Graco Information

For the latest information about Graco products, visit [www.graco.com](http://www.graco.com).

**TO PLACE AN ORDER**, contact your Graco distributor or call to identify the nearest distributor.

**Phone:** 612-623-6928 **or Toll Free:** 1-800-533-9655, **Fax:** 612-378-3590

*All written and visual data contained in this document reflects the latest product information available at the time of publication.  
Graco reserves the right to make changes at any time without notice.*

*For patent information, see [www.graco.com/patents](http://www.graco.com/patents).*

Original information. This manual contains English. MM 333505

**Graco Headquarters:** Minneapolis

**International Offices:** Belgium, China, Japan, Korea

**GRACO INC. AND SUBSIDIARIES • P.O. BOX 1441 • MINNEAPOLIS MN 55440-1441 • USA**

**Copyright 2013, Graco Inc. All Graco manufacturing locations are registered to ISO 9001.**

[www.graco.com](http://www.graco.com)

August 2013, revised September 2016