

GENUINE GRACO PARTS AND ACCESSORIES

24B618 (100cc) Integrator Kit

For ProMix[®] 2KS Proportioners



406804C

EN



Important Safety Instructions

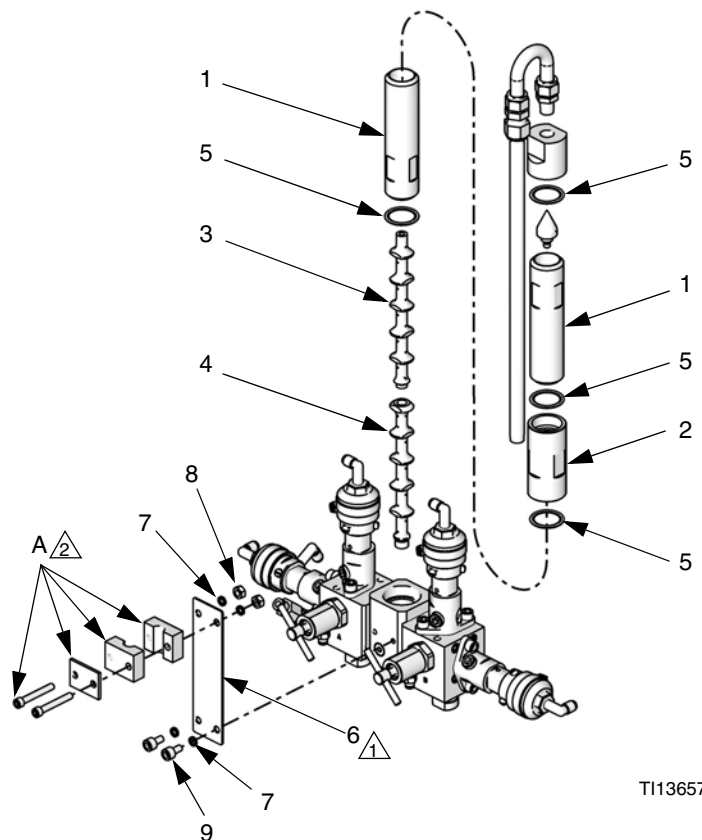
Read all warnings and instructions in manual 312781. Save those instructions.

Ref.	Description	Qty.
1	HOUSING, 50cc	2
2	COUPLING, housing	1
3*	TUBE, upper mix	1
4*	TUBE, lower mix	1
5	O-RING, integrator housing	4
6	BRACKET	1
7	WASHER, lock	4
8	NUT	2
9	SCREW, 1/4-20	2

* Included in kit 25N729

1 Remove tube bracket assembly (A) from manifold. Install bracket (6) using two screws (9) and washers (7).

2 Install tube bracket assembly (A) on bracket (6) using two washers (7) and nuts (8).



T113657b

Graco Inc. P.O. Box 1441 Minneapolis, MN 55440-1441

406804 Rev, C 10/2018

Copyright 2009, Graco Inc. is registered to ISO 9001