

# Electric Airless Sprayers

3A0158G

EN

For Portable Airless Spraying of Architectural Coatings and Paints. For professional use only. Not approved for use in European explosive atmosphere locations.



### Important Safety Instructions

Read all warnings and instructions in the operations manual.

See page 2 for model information.

#### Related Manuals:



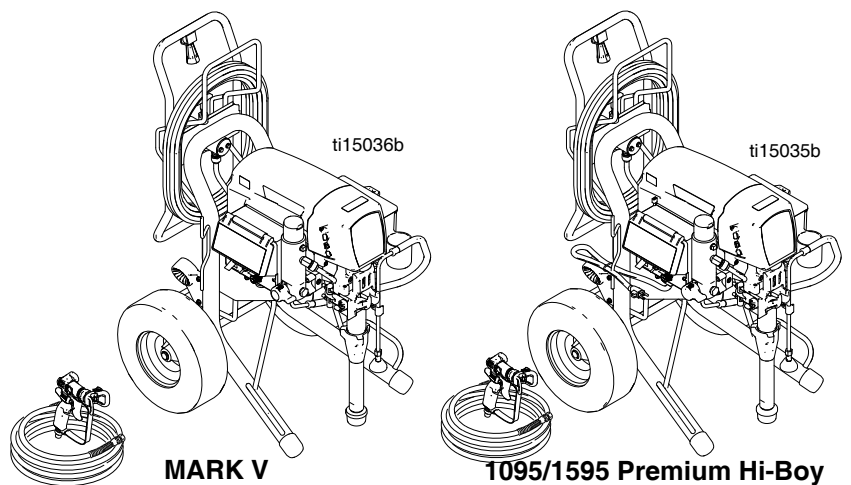
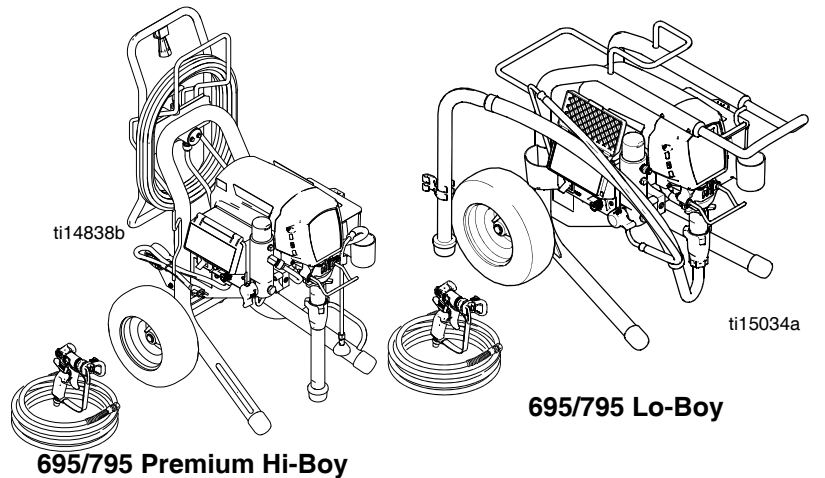
3A0156



3A0157



311861



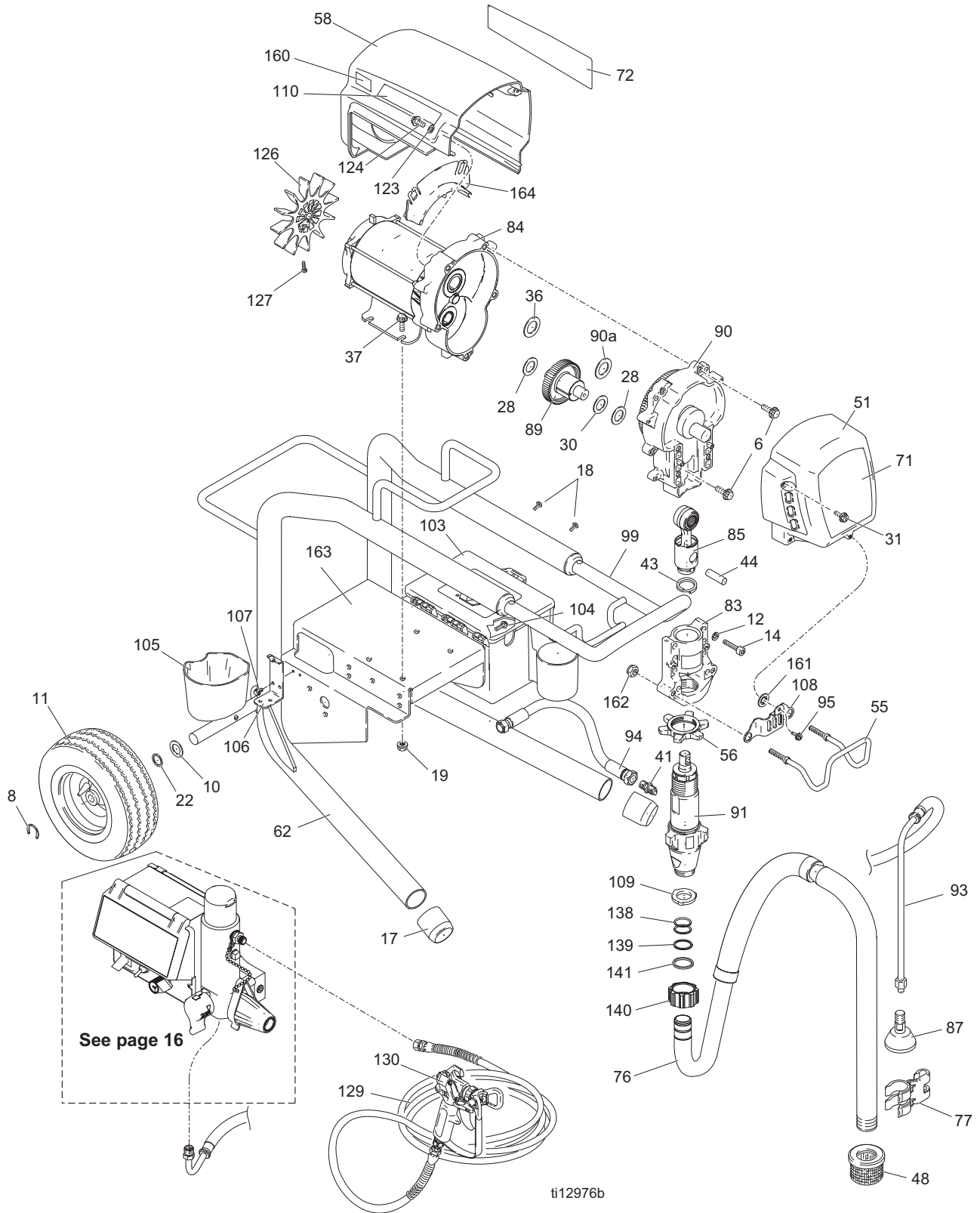
Models:

# Models:

<b>695 ULTRA MAX II</b>			
Model	QuikReel	Hi-Boy	Lo-Boy
258719	✓	✓	
258720		✓	
258722			✓
258872			✓
258873		✓	
258874			✓
258876		✓	
258877	✓	✓	
826124	✓	✓	
826125		✓	
826127			✓
<b>795 ULTRA MAX II</b>			
Model	QuikReel	Hi-Boy	Lo-Boy
258723	✓	✓	
258724		✓	
258878	✓	✓	
258879			✓
258881		✓	
258882	✓	✓	
826128	✓	✓	
826129		✓	
<b>1095 ULTRA MAX II</b>			
Model	QuikReel	Hi-Boy	Lo-Boy
258727	✓	✓	
258728		✓	
258883	✓	✓	
258884		✓	
258886	✓	✓	
826130	✓	✓	
826131		✓	
<b>1595 ULTRA MAX II</b>			
Model	QuikReel	Hi-Boy	Lo-Boy
258763	✓	✓	
258764		✓	
258765	✓	✓	
258766		✓	
826132	✓	✓	
826133		✓	
826134	✓	✓	
826135		✓	
<b>MARK IV</b>			
Model	QuikReel	Hi-Boy	Lo-Boy
258729	✓	✓	
<b>MARK V</b>			
Model	QuikReel	Hi-Boy	Lo-Boy
258730	✓	✓	
258887	✓	✓	



# 695/795 Lo-Boy



## 695/795 Lo-Boy Parts List

Ref.	Part	Description	Qty	Ref.	Part	Description	Qty	
6	15C753	SCREW, mach, torx, hex	5	89	287289	GEAR, combination; <i>includes 28, 30</i>	1	
8	15E891	CLIP, retaining	2	90		HOUSING, drive, M1; <i>includes 6, 36, 90a</i>	1	
10	156306	WASHER, flat	2		287283	695		
11*	119420	WHEEL, pneumatic	2		287284	795		
12	106115	WASH, lock, spring	4	90a	107089	WASHER, race, thrust	1	
14	107210	SCREW, cap, socket hd	4	91	248204	PUMP, displacement 695/795; <i>includes 109</i>	1	
17	15C871	CAP, leg	2	93	248217	HOSE, drain; <i>includes 87</i>	1	
18	109032	SCREW, mach, pnh	4	94	15D049	HOSE, coupled, 1/4 x 15.75	1	
19	112746	NUT, hex, flanged	8	95	114000	SCREW, control housing	1	
22	116038	WASHER, wave spring	2	99	288448	HANDLE, cart	1	
28	114672	WASHER, thrust	2	103	287253	TOOL BOX; <i>includes 104</i>	1	
30	114699	WASHER, thrust	1	104	118852	SCREW, machine, hex washer	3	
31	118444	SCREW, machine, hex washer hd	4	105	276975	CUP, drain	1	
36	116191	WASHER, thrust	1	106	15F952	BRACKET, drain cup	1	
37	100057	SCREW, cap, hex hd	4	107	114423	SCREW, mach, hex hd	2	
41	162453	FITTING, (1/4 NPSM x 1/4 NPT)	1	108	15C859	SHIELD, pump rod	1	
43	176817	SPRING, retaining	1	109	115099	WASHER, garden hose	1	
44	176818	PIN, str, hdls	1	110	16D585	LABEL, Ultra Premium, sides	2	
48	189920	STRAINER, (1-11 1/2 NPSM)	1	117	187436	LABEL, torque	1	
51	287291	COVER, drive, plastic, painted; <i>includes 31, 95</i>	1	123	276980	GROMMET, cover	2	
55	16C457	HANGER, pail	1	124	119250	SCREW, shoulder, hex washer	2	
56	192723	NUT, retaining	1	126	15D088	FAN, motor	1	
58	287281	695 SHIELD, motor, painted; <i>includes 31</i>	1	127	115477	SCREW, mach, torx, pan hd	1	
		287282	795 SHIELD, motor, painted; <i>includes 31</i>	1	128▲	222385	TAG, WARNING (not shown)	1
62	288898	FRAME, cart	1	129		HOSE, cpld, 1/4 in. x 50 ft	1	
71		LABEL	1		240794	Ultra		
	15K374	Ultra 695			826079	Ultimate		
	15D068	Ultra 795		130	288420	GUN, contractor Manual 311861	1	
	824995	Ultimate 695		138	117559	O-RING	2	
72		LABEL	1	139	118505	RING, retaining, external	1	
	15K381	Ultra 695		140	15C980	NUT, jam	1	
	15D069	Ultra 795		141	15C981	WASHER, suction swivel	1	
	824996	Ultimate 695		160	15Y118	LABEL, Made in USA	1	
76	248216	HOSE, suction; <i>includes 109, 138, 134, 140, 141</i>	1	161	124172	WASHER, retaining, nylon, 10-32	1	
77	15D000	CLIP, drain line	1	162	112746	NUT, hex	2	
83	240523	HOUSING, bearing; <i>includes 162, 55</i>	1	163	288899	SHELF, PEM assembly	1	
84		MOTOR, electric; <i>includes 126, 127</i>	1	164	278075	BAFFLE	1	
	257185	695						
	257186	795						
85	241008	ROD, connecting; <i>includes 43</i>	1					
87	241920	DEFLECTOR, threaded	1					

\* 253132 KIT, repair, tube, 11 in.

▲ Extra Danger &amp; Warning tags &amp; labels available free.



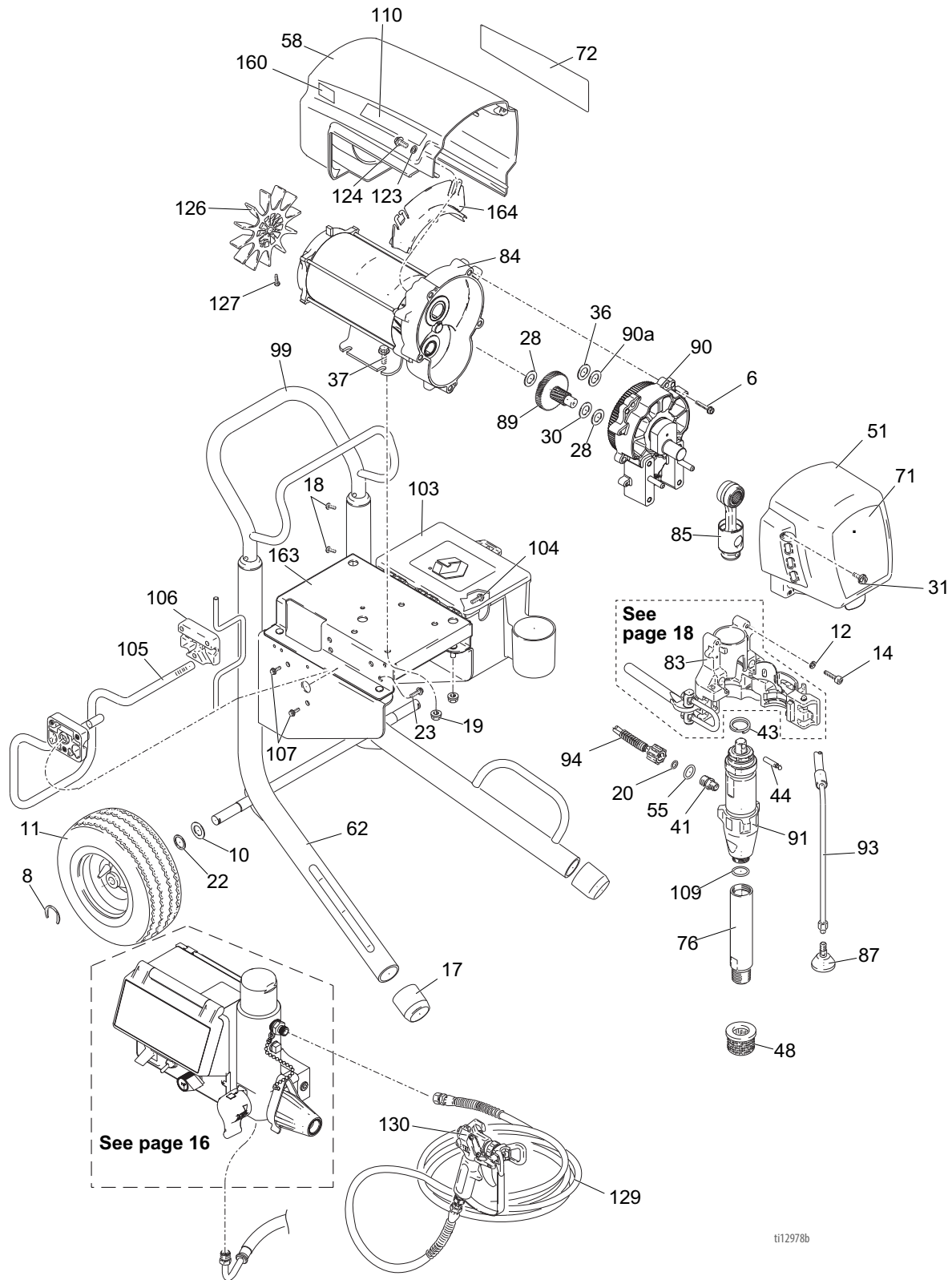
## 695/795 Hi-Boy Parts List

Ref.	Part	Description	Qty	Ref.	Part	Description	Qty
6	15C753	SCREW, mach, torx, hex	5	257186	795		
8	15E891	CLIP, retaining	2	85	241008	ROD, connecting; <i>includes 43</i>	1
10	156306	WASHER, flat	2	87	241920	DEFLECTOR, threaded	1
11*	119420	WHEEL, pneumatic	2	89	287289	GEAR, combination;	1
12	106115	WASH, lock, spring	4			includes 28, 30	
14	107210	SCREW, cap, socket hd	4	90		HOUSING, drive, M1;	1
17	15C871	CAP, leg	2			includes 6, 36, 90a	
18	109032	SCREW, mach, pnh	4	287283	695		
19	112746	NUT, hex, flanged	8	287284	795		
22	116038	WASHER, wave spring	2	90a	107089	WASHER, race, thrust	1
23	110963	SCREW, cap, flng hd	2	91	248204	PUMP, displacement; <i>includes 109</i>	1
28	114672	WASHER, thrust	2	93	244240	HOSE, coupled; <i>includes 87</i>	1
30	114699	WASHER, thrust	1	94	15D049	HOSE, coupled, 1/4 x 15.75	1
31	118444	SCREW, machine, hex washer hd	4	95	114000	SCREW, control housing	1
36	116191	WASHER, thrust	1	99	287489	HANDLE, cart	1
37	100057	SCREW, cap, hex hd	4	103	287253	TOOLBOX, <i>includes 104</i>	1
41	162453	FITTING, (1/4 NPSM x 1/4 NPT)	1	104	118852	SCREW, hex washer hd	3
43	176817	SPRING, retaining	1	105	15D281	HANGER, stand, cart	1
44	176818	PIN, str, hdls	1	106	15C982	CAM, cart	2
48	189920	STRAINER, (1-11 1/2 NPSM)	1	107	114531	SCREW, mach, hex washer	4
51	287291	COVER, drive, plastic, painted;	1	108	15C859	SHIELD, pump rod	1
		<i>includes 31, 95</i>		109	118494	PACKING, o-ring	1
55	16C457	HANGER, pail	1	110	16D585	LABEL, Ultra Premium, sides	2
56	192723	NUT, retaining	1	117	187436	LABEL, torque	1
58		SHIELD, motor, painted; <i>includes 31</i>	1	123	276980	GROMMET, cover	2
	287281	695		124	119250	SCREW, shoulder, hex, washer	2
	287282	795		126	15D088	FAN, motor	1
62	288605	FRAME, cart	1	127	115477	SCREW, mach, torx, pan, hd	1
71		LABEL	1	128▲	222385	TAG, WARNING (not shown)	1
	15K374	Ultra 695		129		HOSE, cpld, 1/4 in. x 50 ft	1
	15D068	Ultra 795			240794	Ultra	
	824995	Ultimate 695			826079	Ultimate	
	824998	Ultimate 795		130	288420	GUN, contractor	1
72		LABEL	1			Manual 311861	
	15K381	Ultra 695		160	15Y118	LABEL, Made in USA	1
	15D069	Ultra 795		161	124172	WASHER, retaining, nylon, 10-32	1
	824996	Ultimate 695		162	112746	NUT, hex	2
	824999	Ultimate 795		163	288899	SHELF, PEM assembly	1
76	248214	TUBE, intake; <i>includes 109</i>	1	164	278075	BAFFLE	1
77	278204	CLIP, spring	1				
83	240523	HOUSING, bearing; includes 55, 162	1				
84		MOTOR, electric	1				
	257185	695					

▲ Extra Danger and Warning tags and labels available free.

\* 253132 KIT, repair, tube

# 1095/1595 Hi-Boy



ti12978b



## 1095/1595 Hi-Boy

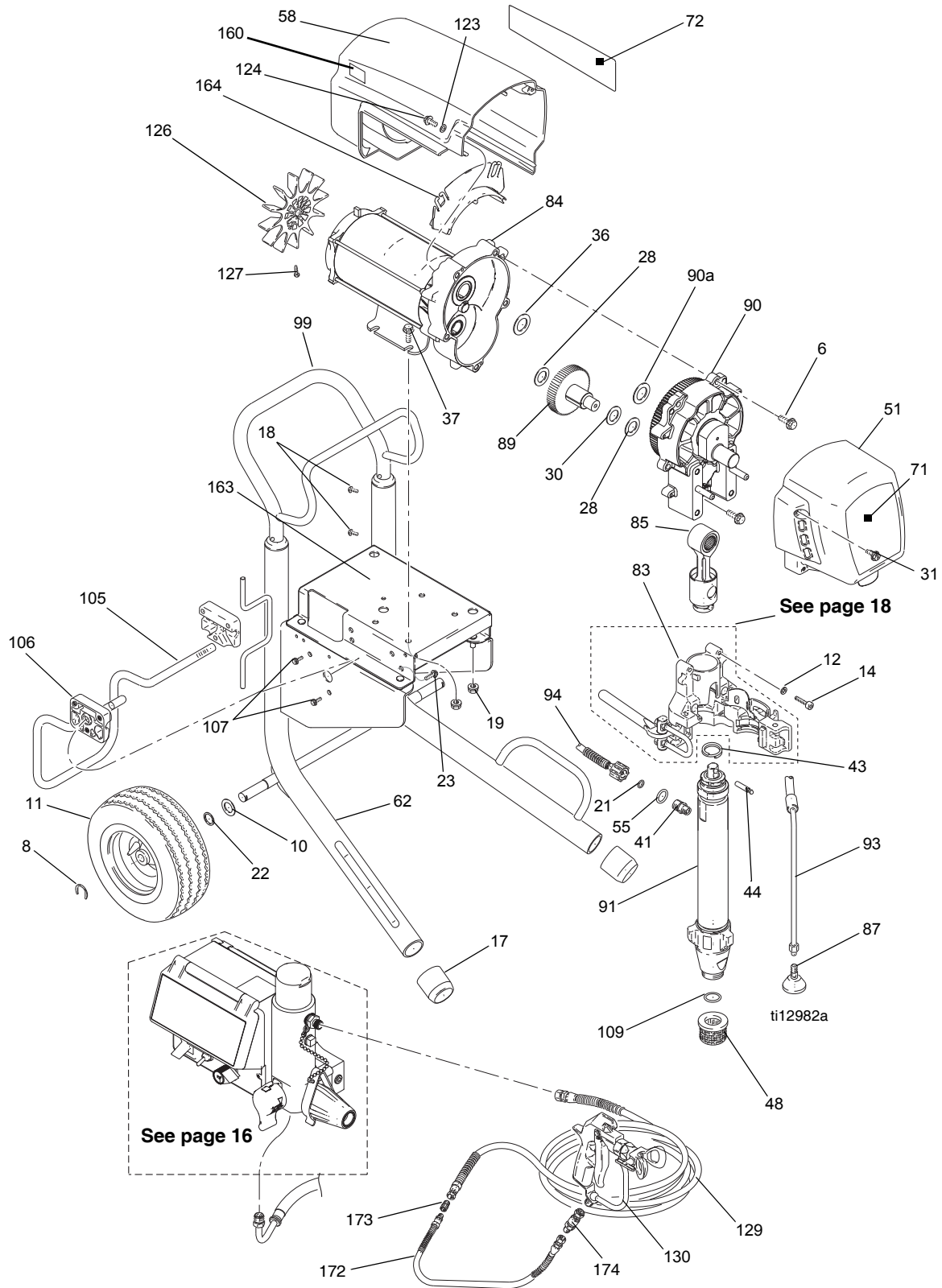
Ref.	Part	Description	Qty	Ref.	Part	Description	Qty
6	15C753	SCREW, mach, torx, hex	5	85	287472	ROD, connecting; <i>includes 43, 44</i>	1
8	15E891	CLIP, retaining	2	87	241920	DEFLECTOR, threaded	1
10	156306	WASHER, flat	2	89	287290	GEAR, combination; <i>includes 28, 30</i>	1
11*	119509	WHEEL, pneumatic	2	90		HOUSING, drive, M1; <i>includes 6, 36, 90a</i>	1
12	106115	WASH, lock, spring	4				
14	114666	SCREW, cap, socket hd	4		287294	1095	
17	276974	CAP, leg	2		287295	1595	
18	108795	SCREW, mach, pnh	4	90a	107089	WASHER, race, thrust	1
19	112746	NUT, hex, flanged	8	91	287513	PUMP, displacement; <i>includes 41, 76, 109</i>	1
20	111457	O-RING	1	93	287952	HOSE, drain; <i>includes 87</i>	1
22	116038	WASHER, wave spring	2	94	288658	HOSE, coupled	1
23	110963	SCREW, cap, flng hd	2	99	24A250	HANDLE, cart	1
28	114672	WASHER, thrust	2	103†	287253	TOOLBOX; <i>includes 104</i>	1
30	114699	WASHER, thrust	1	104†	118852	SCREW, hex washer hd	3
31	118444	SCREW, machine, hex washer hd	4	105	15C858	HANGER, stand, cart	1
36	116192	WASHER, thrust	1	106	15C982	CAM, cart	2
37	100057	SCREW, cap, hex hd	4	107	114531	SCREW, mach, hex washer	4
41	15E802	FITTING, pump, quick disc	1	109	118494	PACKING, o-ring	1
43	119778	SPRING, retaining	1	110	16D585	LABEL, Ultra Premium, sides	2
44	15F110	PIN, pump	1	123	276980	GROMMET, cover	2
48	189920	STRAINER, (1-11 1/2 NPSM)	1	124	119250	SCREW, shoulder, hex, washer	3
51	287292	COVER, drive, plastic, painted; <i>includes 31</i>	1	126	15D088	FAN, motor	1
55	119790	PACKING, o-ring	1	127	115477	SCREW, mach, torx, pan, hd	1
58	287282	SHIELD, motor, painted; <i>includes 31</i>	1	128▲	222385	TAG, WARNING (not shown)	1
62	288663	FRAME, cart 1095/1595	1	129		HOSE, cpld, 1/4 in. x 50 ft	1
71		LABEL, UltraMax	1		240794	Ultra	
	15D071	Ultra 1095			826079	Ultimate	
	15D074	Ultra 1595		130	288420	GUN, contractor Manual 311861	1
	825011	Ultimate 1095		160	15Y118	LABEL, Made in USA	1
	825014	Ultimate 1595		163	288899	SHELF, PEM assembly	1
72		LABEL, UltraMax II 1095/1595	1	164	278075	BAFFLE	1
	15D072	Ultra 1095					
	15D075	Ultra 1595					
	825012	Ultimate 1095					
	825015	Ultimate 1595					
76	248215	TUBE, intake; <i>includes 109</i>	1				
83	287933	HOUSING, bearing	1				
84		MOTOR, electric; <i>includes 126, 127</i>	1				
	257187	1095					
	257188	1595					

▲ Extra Danger and Warning tags and labels available free.

\* 253131 KIT, repair, tube

† Premium Sprayers

# Mark V Hi-Boy



## Mark V Hi-Boy Parts List

Ref.	Part	Description	Qty	Ref.	Part	Description	Qty
6	15C753	SCREW, mach, torx, hex	5	90	287295	HOUSING, drive; <i>includes 6, 36, 90a</i>	1
8	15E891	CLIP, retaining	2	90a	107089	WASHER, race, thrust	1
10	156306	WASHER, flat	2	91	287929	PUMP, displacement; <i>includes 41, 109</i>	1
11*	119509	WHEEL, pneumatic	2	93	287952	HOSE, drain; <i>includes 87</i>	1
12	106115	WASH, lock, spring	4	94	288659	HOSE, coupled	1
14	114666	SCREW, cap, socket hd	4	99	24A250	HANDLE, cart	1
17	276974	CAP, leg	2	105	15C858	HANGER, stand, cart	1
18	108795	SCREW, mach, pnh	4	106	15C982	CAM, cart	2
19	112746	NUT, hex, flanged	8	107	114531	SCREW, mach, hex washer	4
21	109450	O-RING	1	123	276980	GROMMET, cover	2
22	116038	WASHER, wave spring	2	124	119250	SCREW, shoulder, hex, washer	3
23	110963	SCREW, cap, flng hd	2	126	15D088	FAN, motor	1
28	114672	WASHER, thrust	2	127	115477	SCREW, mach, torx, pan, hd	1
30	114699	WASHER, thrust	1	128▲	222385	TAG, WARNING (not shown)	1
31	118444	SCREW, machine, hex washer hd	4	129	240797	HOSE, cpld, 3/8 in. x 50 ft	1
36	116192	WASHER, thrust	1	130	241705	GUN, spray, texture	1
37	100057	SCREW, cap, hex hd	4	160	15Y118	LABEL, Made in USA	1
41	15G880	FITTING, pump, quick disc	1	163	288899	SHELF, PEM assembly	1
43	119778	SPRING, retaining	1	164	278075	BAFFLE	1
44	15F110	PIN, pump	1	172	241735	HOSE, cpld, 1/4 in. x 3 ft	1
48	189920	STRAINER, (1-11 1/2 NPSM)	1	173	159841	ADAPTER, 1/4 npt (f) x 3/8 npt (m)	1
51	287292	COVER, drive, plastic, painted	1	174	189018	SWIVEL, 1/4 npsm (f) x 1/4 npsm (m)	1
55	C20195	PACKING, o-ring	1				
58	287282	SHIELD, motor, painted	1				
62	288663	FRAME, cart	1				
71	15G804	LABEL, Mark V	1				
72	15G805	LABEL, Mark V	1				
83	287933	HOUSING, bearing	1				
84	257188	MOTOR, electric; <i>includes 126, 127</i>	1				
85	287472	ROD, connecting; <i>includes 43, 44</i>	1				
87	241920	DEFLECTOR, threaded	1				
89	287290	GEAR, combination; <i>includes 28, 30</i>	1				

▲ *Extra Danger and Warning tags and labels available free.*

\* *253131 KIT, repair, tube*

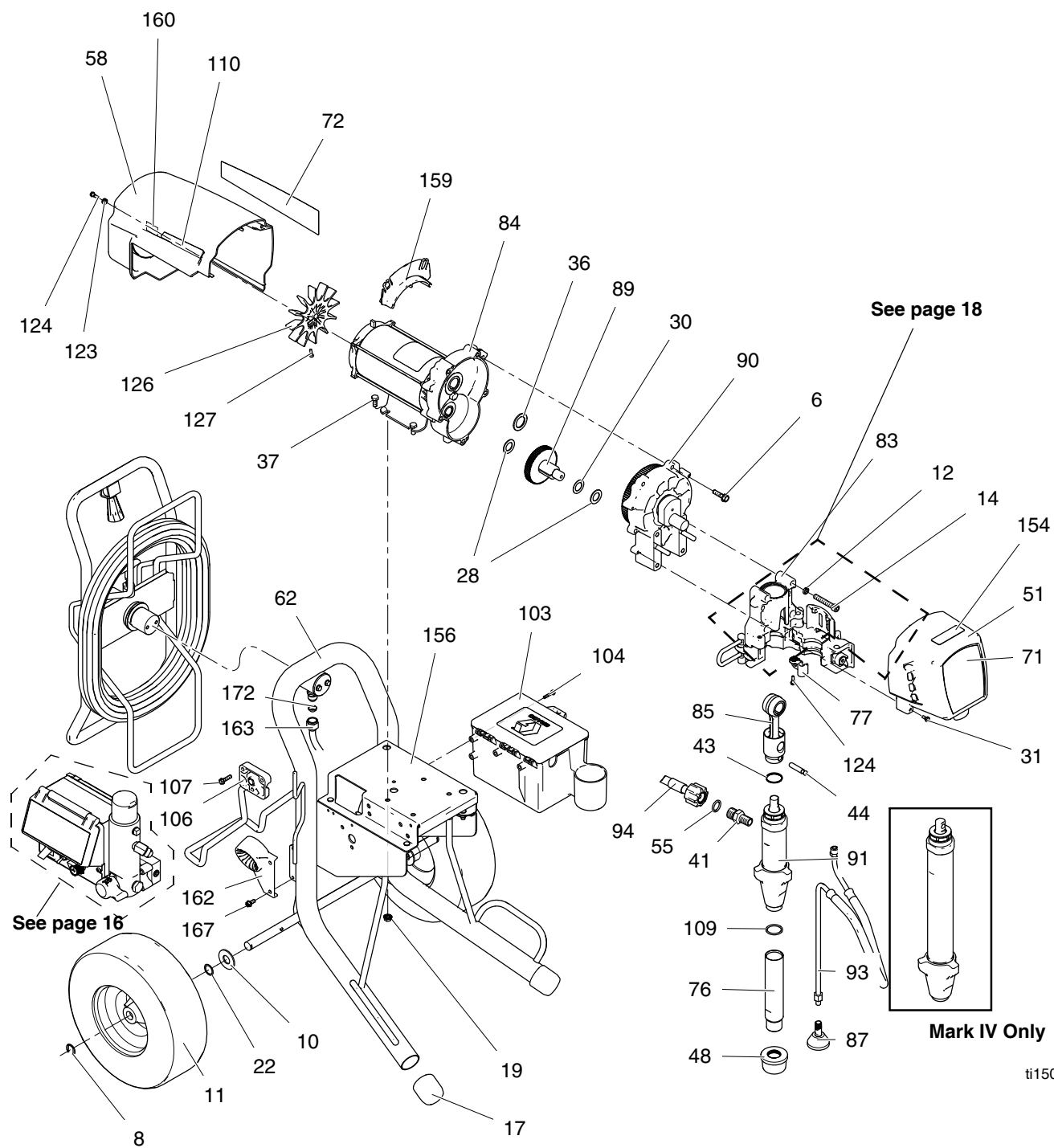


## 695/795/MARK IV Parts List (with Hose Reel)

Ref.	Part	Description	Qty	Ref.	Part	Description	Qty
6	15C753	SCREW, mach, hex wash hd	5	90		HOUSING, drive, M1; <i>includes 6, 36, 90a</i>	1
8	15E891	CLIP, retaining	2		287283	695 Models	
10	156306	WASHER, flat	2		287284	795/Mark IV	
11	119420	WHEEL, pneumatic	2	90a	107089	WASHER, race, thrust	1
12	106115	WASHER, lock (hi-collar)	4	91	248204	PUMP, displacement; 695/795 <i>includes 109</i>	1
14	110141	SCREW, cap, sch	4		253056	PUMP, displacement (Mark IV)	
17	276974	CAP, leg	2	93	243993	HOSE, drain, ultra hi-boy	1
19	112746	NUT, hex, flange head	8	94	15D049	HOSE, coupled, 1/4 x 15.75, 695/795	1
22	116038	WASHER, wave spring	2		15D360	HOSE, coupled, 3/8 x 18.25 (Mark IV)	1
24	112746	NUT, lock, nylon, thin pattern	2	95	114000	SCREW, mach, hex wash hd	1
28	114672	WASHER, thrust	2	103	287253	TOOL BOX; <i>includes 104</i>	1
30	114699	WASHER, thrust	1	104	118852	SCREW, thd forming, hex washer hd	3
31	118444	SCREW, mach, slot hex wash hd	4	106	15C982	CAM, cart	2
36	116191	WASHER, thrust, (1095/795)	1	107	114531	SCREW, mach, hex washer hd	4
37	100057	SCREW, cap, hex hd	4	108	15C859	SHIELD, pump rod	1
41	162453	FITTING, (1/4 npsm x 1/4 npt)	1	109	118494	PACKING, o-ring	1
43	176817	SPRING, retaining	1	110	16D585	LABEL, premium, left	1
44	176818	PIN, str, hdls	1	117	187437	LABEL, torque	1
48	189920	STRAINER, (1-11 1/2 npsm)	1	123	276980	GROMMET, cover	2
51	287291	COVER, drive, plastic, painted; <i>includes 31, 95</i>	1	124	119250	SCREW, shoulder	2
55	16C457	HANGER, pail	1	126	15D088	FAN, motor	1
56	192723	NUT, retaining	1	127	115477	SCREW, mach, torx pan hd	1
58		SHIELD, motor, painted; <i>includes 31</i>	1	128▲	222385	TAG, warning (not shown)	1
	287281	695 Models		152	288899	SHELF, ultra, pem assembly	1
	287282	795 Models		159	278075	BRACKET, wire	1
62	24J083	FRAME, platinum, 695/795	1	160	15Y118	LABEL, Made in the USA	1
71	15K374	LABEL, brand, front (Ultra Max II)	1	161	278083	GUIDE, hose, ultra platinum	1
72	15K381	LABEL, brand, side (Ultra Max II)	1	162	24J080	TUBE, formed, ultra, platinum	1
76	248214	TUBE, intake; <i>includes 109</i>	1	166	117633	SCREW, slot hex wash hd	2
77	278204	CLIP, drain line	1	171	123739	SEAL, fitting, flared	2
83	240523	HOUSING, bearing; <i>includes 55, 162</i>	1	175	124172	WASHER, retaining, nylon, 10-32	1
84		MOTOR, electric	1				
	257185	695 Models					
	257186	795/Mark IV					
85	241008	ROD, connecting; <i>includes 43</i>	1				
87	241920	DEFLECTOR, threaded	1				
89	287289	GEAR, combination; <i>includes 28, 30</i>	1				

▲ Extra Danger &amp; Warning tags &amp; labels available free.

# 1095/1595/MARK V (with Hose Reel)



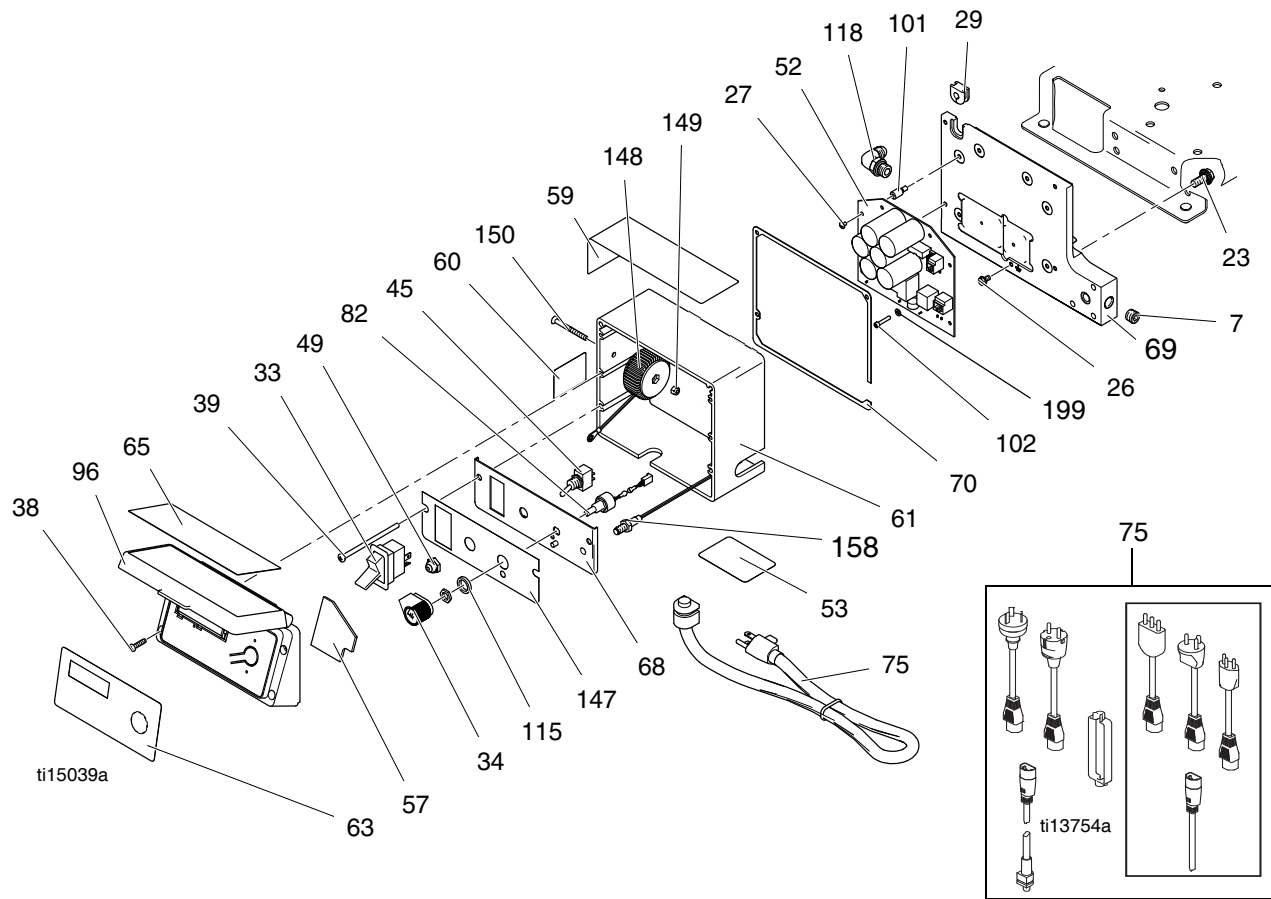
ti15038b

## 1095/1595/MARK V Parts List (with Hose Reel)

Ref.	Part	Description	Qty	Ref.	Part	Description	Qty
6	15C753	SCREW, mach, hex wash hd	5	89	287290	GEAR, combination; <i>includes 28, 30</i>	1
8	15E891	CLIP, retaining	2	90		HOUSING, drive, M1; <i>includes 6, 36, 90a</i>	1
10	156306	WASHER, flat	2		287294	1095 Models	
11	119509	WHEEL, pneumatic	2		287295	1595 Models	
12	106115	WASHER, lock (hi-collar)	4	90a	107089	WASHER, race, thrust	1
14	114666	SCREW, cap, socket head	4	91		PUMP, displacement; <i>includes 41, 76, 109</i>	1
17	276974	CAP, leg	2		287513	1095/1595 Models	
19	112746	NUT, hex, flange head	8		287929	Mark V Models	
22	116038	WASHER, wave spring	2	93	287952	HOSE, drain; <i>includes 87</i>	1
28	114672	WASHER, thrust	2	94	288658	KIT, hose, cpld, 1/2 in, 1095/1595	1
30	114699	WASHER, thrust	1		288659	KIT, hose, cpld 1/2 in, Mark V	
31	118444	SCREW, mach, slot hex wash hd	4	103	287253	TOOL BOX; <i>includes 104</i>	1
36	116192	WASHER, thrust, (1595)	1	104	118852	SCREW, thd forming, hex washer hd	3
37	100057	SCREW, cap, hex hd	4	106	15C982	CAM, cart	2
41	15E802	FITTING 1095/1595	1	107	114531	SCREW, mach, hex washer hd	4
	15G880	FITTING Mark V		109	118494	PACKING, o-ring	1
43	119778	SPRING, retaining	1	110	16D585	LABEL, premium	1
44	15F110	PIN, pump, 5900	1	123	276980	GROMMET, cover	2
48	189920	STRAINER, (1-11 1/2 npsm)	1	124	119250	SCREW, shoulder	3
51	287292	COVER, drive, plastic, painted; <i>includes 31</i>	1	126	15D088	FAN, motor	1
55	119790	PACKING, o-ring	1	127	115477	SCREW, mach, torx pan hd	1
58	287282	SHIELD, motor, painted; <i>includes 31</i>	1	128▲	222385	TAG, warning (not shown)	1
62	24J083	FRAME, platinum, 1095/MARK V	1	154	15F584	LABEL, Proconnect	1
71	15D071	LABEL, front, Ultra Max II 1095	1	156	288899	SHELF, ultra, pem assembly	1
72	15D072	LABEL, right side	1	159	278075	BRACKET, wire	1
76	248215	TUBE, intake; <i>includes 109</i>	1	160	15Y118	LABEL, Made in the USA	1
77	278204	CLIP, drain line	1	162	278083	GUIDE, hose, ultra platinum	1
83	287933	HOUSING, bearing	1	163	24J081	TUBE, formed, ultra, platinum	1
84		MOTOR, electric; <i>includes 126, 127</i>	1	167	117633	SCREW, slot hex wash hd	2
	257187	1095 Models		172	123739	SEAL, fitting, flared	2
	257188	1595/Mark V Models					
85	287472	ROD, connecting; <i>includes 43, 44</i>	1				
87	241920	DEFLECTOR, threaded	1				

▲ Extra Danger & Warning tags & labels available free.

# Control Box

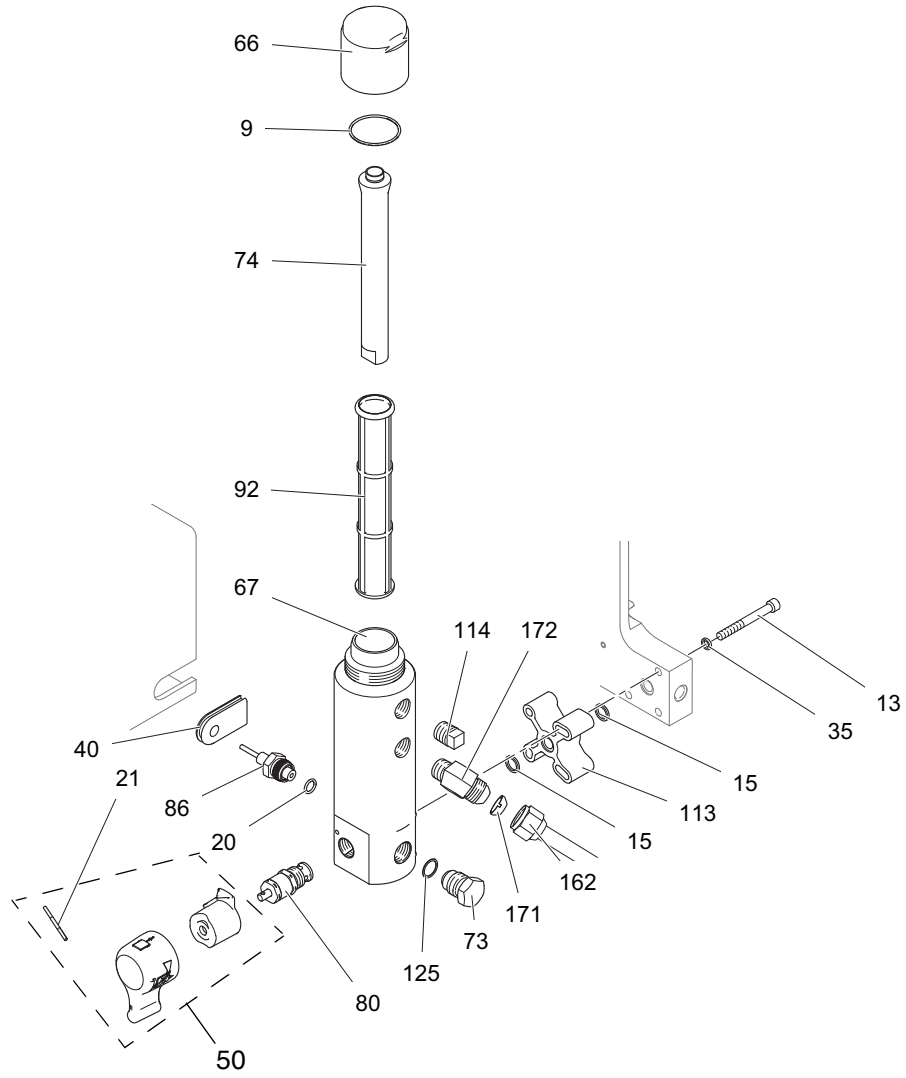


## Parts List

Ref. Part	Description	Qty.	Ref. Part	Description	Qty.
7	100721 PLUG, pipe	1	69	15V937 PLATE, power bar	1
23	110963 SCREW, cap, flange head	2	70	15D036 GASKET, control box	1
26	114391 SCREW, grounding	1	75	CORD, power	1
27	113045 SCREW, sems, mach, phillips	1		15H064 120V Models 695, 795, 1095, Mark IV	1
29	15V996 GROMMET, motor lead	1		15H065 120V Models 1595, Mark V	1
32	115522 SCREW, mach, pnh	3		15D529 240V Models	
33	15C979 SWITCH, rocker	1		15H066 120V CSA Models 1595, Mark V	
34	116167 KNOB, potentiometer	1	82	256219 POTENTIOMETR, assembly	1
38	116252 SCREW, #10, taptite phil	4	96	287286 KIT, repair, premium	1
39	112381 SCREW, mach, pan head	4		<i>includes 38, 63, 65</i>	
45	119541 SWITCH, toggle	1		15D456 COVER, control, standard	1
49	195428 BOOT, toggle	1	101	15V938 STUD, board	1
52	258964 CONTROL, board; <i>includes 27, 102</i>	1	102	C19962 SCREW, IPM and diode	1
	120V Models		115	15C973 GASKET	1
	258965 CONTROL, board; <i>includes 27, 102</i>		118	118896 FITTING (1095/1595/Mark IV)	1
	240V Models			116793 FITTING (695/795)	1
53	15E968 LABEL, transparent	2		120185 FITTING (Mark V)	1
57	15E008 PAD, foam	1	147	15X620 LABEL, Euro Premium control	1
59	15D523 LABEL, warning, domestic	1	148	287943 KIT, repair, coil;	1
60	195833 LABEL, warning, Eng/Fre/Spa	1		<i>includes nut and screw</i>	
61	15G953 BOX, control	1	149	116969 NUT, lock	1
63	198648 LABEL, LCD, GMAX	1	150	120223 SCREW, machine, flat head	1
65	15K394 LABEL, control box cover, premium	1	158	122507 SWITCH, reed	1
	15D609 LABEL, control box cover, standard	1	199	16C742 WASHER	2
68	15X617 PANEL, control	1			



# Filter

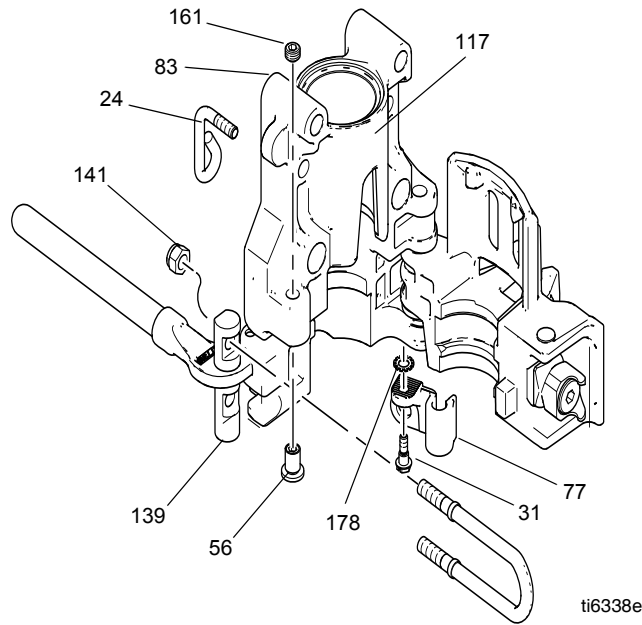


ti15040a

## Parts List

Ref.	Part	Description	Qty	Ref.	Part	Description	Qty
9	117285	PACKING, o-ring	1	86	243222	TRANSDUCER, pressure control	1
13	C19817	SCREW, cap, socket head	3	92		FILTER, fluid	1
15	121513	PACKING, square ring	2		244071	30 mesh	
20	111457	PACKING, o-ring	2		244067	60 mesh, original equipment	
21	15C972	PIN, grooved	1		244068	100 mesh	
35	105510	WASHER, lock, spring (hi-collar)	3		244069	200 mesh	
40	15D033	GROMMET, transducer	1	113	15F844	SPACER, manifold	1
50		KIT, handle	1	114	104813	PLUG, pipe	1
	24E233	FAST FLUSH		125	15D541	SEAL, washer	1
	24E234	TWO POSITION		162		TUBE, formed, ultra platinum	1
66	15C765	CAP, filter	1		24J080	695/795 Models	
67	15C838	BASE, filter	1		24J081	1095/Mark V Models	
73	248314	PLUG, Autoclean; <i>includes 41</i>	1	171	123739	SEAL, fitting, flared	2
74	15C766	TUBE, diffusion	1	172	122533	FITTING, 45 degree, elbow	1
80	24B156	VALVE, prime, HD	1				

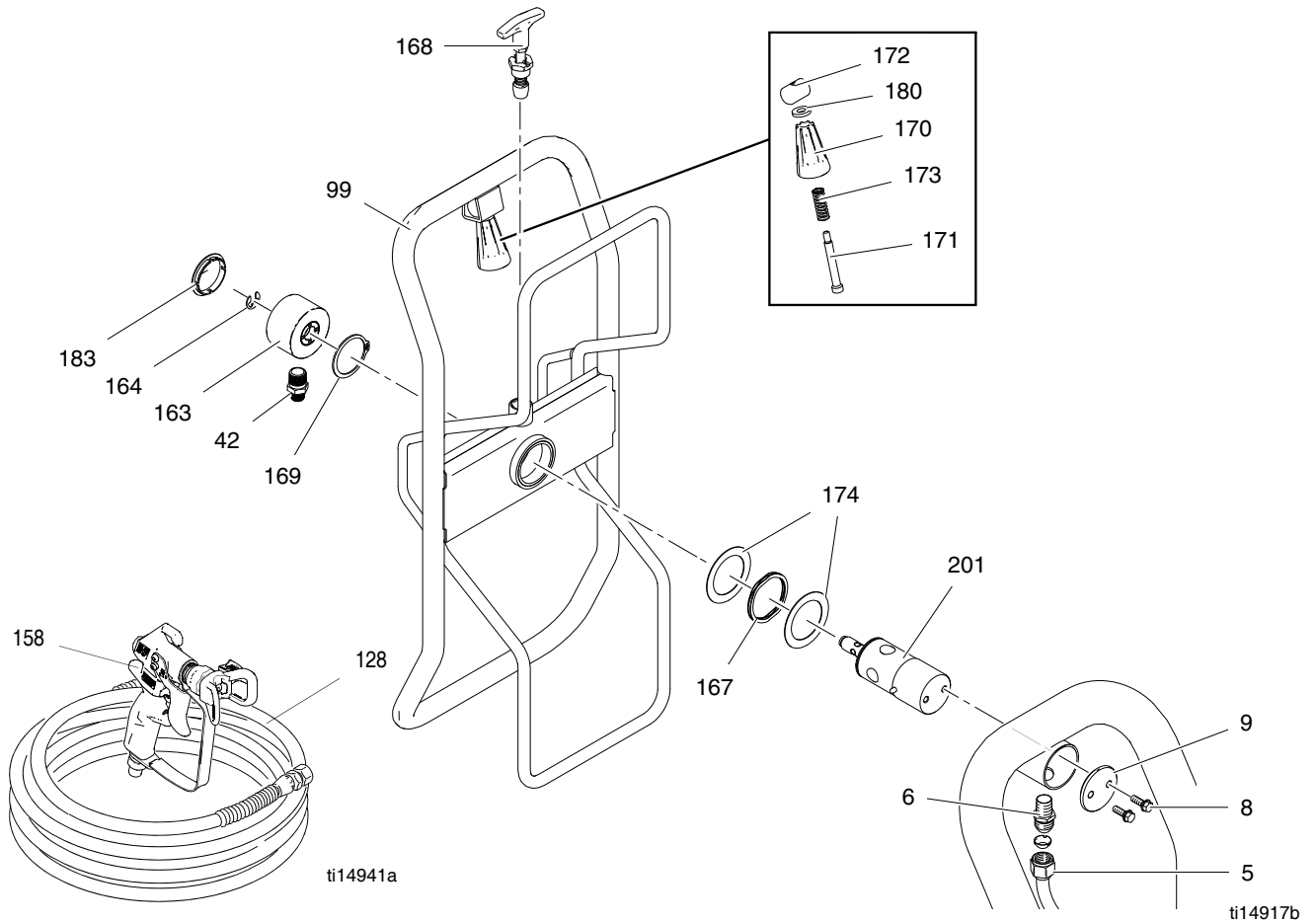
# Bearing Housing



## Parts List - Bearing Housing 287933

Ref.	Part	Description	Qty
24	15F116	LATCH, handle	1
31	119250	SCREW, machine, hex washer	5
56	15F498	SCREW, adjustment	1
77	278204	CLIP, spring	1
83		HOUSING, bearing	1
117	187437	LABEL, torque	1
139	15E625	PIN, housing, bearing	1
141	111040	NUT, lock, insert, nylock	2
161	15F503	SCREW, set, socket head	1
178	100985	WASHER, lock ext	1

# Hose Reel and Gun



## Parts List

Ref.	Part	Description	Qty	Ref.	Part	Description	Qty
5	24J080	TUBE, Formed, Ultra, Platinum 695/795 Models	1	164	122347	RING, retaining, external	1
	24J081	1095/Mark V Models		167	122534	SPRING, wave	1
6	121311	FITTING, Connector, NPT x JIC	1	168	24E400	PIN, pop, lock out	1
8	260212	SCREW, Hex Washer HD	2	169	122524	RING, retaining, external	1
9	16C975	PLATE, Pivot Mount	1	170	278085	HANDLE, swivel	1
42	164672	ADAPTER	1	171	122518	PIN	1
99	24B691	REEL, hose, ultra	1	172	15X618	NUT, pin	1
128	240794	HOSE, coupled, 1/4 x 15.75 695/795/1095/1595	1	173	122542	SPRING	1
	245225	Mark IV/Mark V	2	174	122607	WASHER, flat	2
158		GUN, spray	1	180	122669	WASHER	1
	288420	695/795/1095/1595 Models	1	183	122787	CAP	1
	241705	Mark V Models	1	201	24E016	TUBE, Hose Reel, Pivot	1
	246468	Mark IV Models	1				
163	24B248	CAP, swivel, complete	1				

# Graco Standard Warranty

Graco warrants all equipment referenced in this document which is manufactured by Graco and bearing its name to be free from defects in material and workmanship on the date of sale to the original purchaser for use. With the exception of any special, extended, or limited warranty published by Graco, Graco will, for a period of twelve months from the date of sale, repair or replace any part of the equipment determined by Graco to be defective. This warranty applies only when the equipment is installed, operated and maintained in accordance with Graco's written recommendations.

This warranty does not cover, and Graco shall not be liable for general wear and tear, or any malfunction, damage or wear caused by faulty installation, misapplication, abrasion, corrosion, inadequate or improper maintenance, negligence, accident, tampering, or substitution of non-Graco component parts. Nor shall Graco be liable for malfunction, damage or wear caused by the incompatibility of Graco equipment with structures, accessories, equipment or materials not supplied by Graco, or the improper design, manufacture, installation, operation or maintenance of structures, accessories, equipment or materials not supplied by Graco.

This warranty is conditioned upon the prepaid return of the equipment claimed to be defective to an authorized Graco distributor for verification of the claimed defect. If the claimed defect is verified, Graco will repair or replace free of charge any defective parts. The equipment will be returned to the original purchaser transportation prepaid. If inspection of the equipment does not disclose any defect in material or workmanship, repairs will be made at a reasonable charge, which charges may include the costs of parts, labor, and transportation.

**THIS WARRANTY IS EXCLUSIVE, AND IS IN LIEU OF ANY OTHER WARRANTIES, EXPRESS OR IMPLIED, INCLUDING BUT NOT LIMITED TO WARRANTY OF MERCHANTABILITY OR WARRANTY OF FITNESS FOR A PARTICULAR PURPOSE.**

Graco's sole obligation and buyer's sole remedy for any breach of warranty shall be as set forth above. The buyer agrees that no other remedy (including, but not limited to, incidental or consequential damages for lost profits, lost sales, injury to person or property, or any other incidental or consequential loss) shall be available. Any action for breach of warranty must be brought within two (2) years of the date of sale.

**GRACO MAKES NO WARRANTY, AND DISCLAIMS ALL IMPLIED WARRANTIES OF MERCHANTABILITY AND FITNESS FOR A PARTICULAR PURPOSE, IN CONNECTION WITH ACCESSORIES, EQUIPMENT, MATERIALS OR COMPONENTS SOLD BUT NOT MANUFACTURED BY GRACO.** These items sold, but not manufactured by Graco (such as electric motors, switches, hose, etc.), are subject to the warranty, if any, of their manufacturer. Graco will provide purchaser with reasonable assistance in making any claim for breach of these warranties.

In no event will Graco be liable for indirect, incidental, special or consequential damages resulting from Graco supplying equipment hereunder, or the furnishing, performance, or use of any products or other goods sold hereto, whether due to a breach of contract, breach of warranty, the negligence of Graco, or otherwise.

## **FOR GRACO CANADA CUSTOMERS**

The Parties acknowledge that they have required that the present document, as well as all documents, notices and legal proceedings entered into, given or instituted pursuant hereto or relating directly or indirectly hereto, be drawn up in English. Les parties reconnaissent avoir convenu que la rédaction du présente document sera en Anglais, ainsi que tous documents, avis et procédures judiciaires exécutés, donnés ou intentés, à la suite de ou en rapport, directement ou indirectement, avec les procédures concernées.

# Graco Information

For the latest information about Graco products, visit [www.graco.com](http://www.graco.com).

For patent information, see [www.graco.com/patents](http://www.graco.com/patents).

**TO PLACE AN ORDER**, contact your Graco distributor or call 1-800-690-2894 to identify the nearest distributor.

*All written and visual data contained in this document reflects the latest product information available at the time of publication. Graco reserves the right to make changes at any time without notice.*

Original instructions. This manual contains English. MM 3A0158

**Graco Headquarters:** Minneapolis  
**International Offices:** Belgium, China, Japan, Korea

**GRACO INC. AND SUBSIDIARIES • P.O. BOX 1441 • MINNEAPOLIS MN 55440-1441 • USA**

**Copyright 2008, Graco Inc. All Graco manufacturing locations are registered to ISO 9001.**

[www.graco.com](http://www.graco.com)  
Revised G, July 2017