

GX-16

313536P

EN

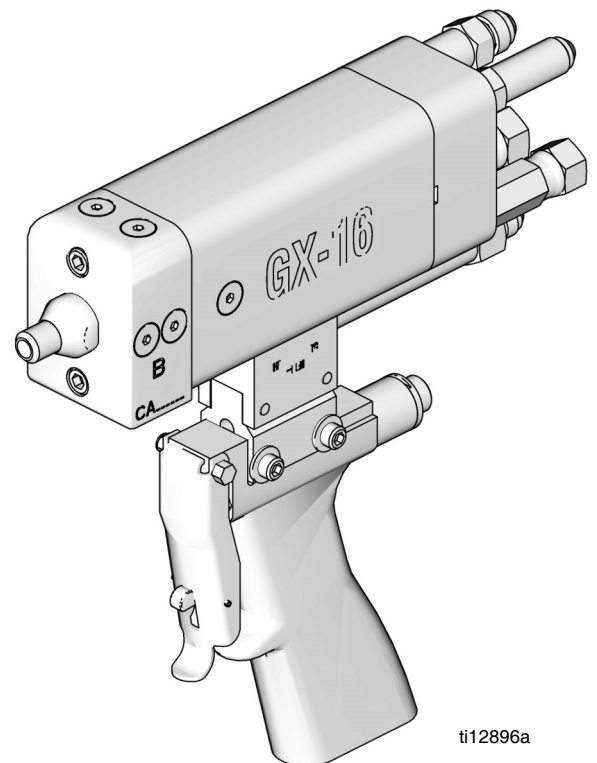
***For dispensing polyol and isocyanate materials only. For professional use only.
For indoor use only. Not approved for use in European explosive atmosphere
requirements.***

*3000 psi (21 MPa, 207 bar) Maximum Fluid Working Pressure
2500 psi (17 MPa, 172 bar) Maximum Hydraulic Working Pressure
180°F (82°C) Maximum Fluid Temperature*



Important Safety Instructions

Read all warnings and instructions in this manual. Save these instructions.



ti12896a

Model 257496 shown



Contents

Models	3
Warnings	4
Important Two-Component Material Information .	6
Isocyanate Conditions	6
For all applications except spray foam	7
Material Self-ignition	7
Keep Components A and B Separate	7
Moisture Sensitivity of Isocyanates	7
Foam Resins with 245 fa Blowing Agents	8
Changing Materials	8
.....	8
Grounding	8
Trigger Lock	9
Setup	10
Gun Connections	10
Fluid Line	11
Gun Setup	11
Shutoff Valve Setup	12
Mounting	12
Startup	13
Operation	14
Theory of Operation	14
Pressure Relief Procedure	15
Shutdown	15
Maintenance	16
Recommended Tools	16
Grease the Gun	16
Recommended Hydraulic Oil	16
Recommended Grease	16
Clean and Service the Orifices and Filters	17
Proximity Switch Replacement Procedure	18
Troubleshooting	19
Parts	20
Optional Shutoff Valve Kit	34
Accessories	35
Technical Data	36
Weight	36
Graco Standard Warranty	38
Graco Information	38








Models

Part No.	Description
257492	GX-16 Pour Gun, 24:1, Pour Handle, Right Side Chemical Tubes, Star-Shaped Trigger Switch Connector
257493	GX-16 Pour Gun, 24:1, Pour Handle, Left Side Chemical Tubes, Star-Shaped Trigger Switch Connector
257494	GX-16 Pour Gun, 24:1, Pour Handle, Right Side Chemical Tubes, Circular Trigger Switch Connector
257495	GX-16 Pour Gun, 24:1, Pour Handle, Left Side Chemical Tubes, Circular Trigger Switch Connector
257496	GX-16 Pour Gun, 24:1, Isolated Pistol Handle
257497	GX-16 Pour Gun, 24:1, No Handle
257498	GX-16 Pour Gun, No Handle, No Orifice
257499	GX-16 Pour Gun, Reverse Block, No Handle, No Orifice
257502	GX-16 Pour Gun, 1:1, No Handle
257503	GX-16 Pour Gun, 1:1, No Handle, No Fittings
257504	GX-16 Pour Gun, 1:1, No Handle, 3 ft Hoses
257505	GX-16 Pour Gun, 1:1, Pistol Handle, No Orifice, Proximity Switch
257506	GX-16 Pour Gun, 1:1, Isolated Pistol Handle, Proximity Switch
257507	GX-16 Pour Gun, 1:1, Isolated Pistol Handle, No Orifice, Proximity Switch
24E876◆	GX-16 Pour Gun, HFR™, NVH, Straight, Basic
24E877◆	GX-16 Pour Gun, HFR, NVH, Right, 24:1
24E878◆	GX-16 Pour Gun, HFR, NVH, Right, Basic
24J187◆	GX-16 Pour Gun, HFR, NVH, Straight, 24:1
24K233◆	GX-16 Pour Gun, HFR, NVH, Left, 24:1
24K234◆	GX-16 Pour Gun, HFR, NVH. Left, Basic

◆ Models used specifically for HFR machines.

Warnings

The following warnings are for the setup, use, grounding, maintenance, and repair of this equipment. The exclamation point symbol alerts you to a general warning and the hazard symbol refers to procedure-specific risk. Refer back to these warnings. Additional, product-specific warnings may be found throughout the body of this manual where applicable.

 WARNING	
 	<p>TOXIC FLUID OR FUMES HAZARD</p> <p>Toxic fluids or fumes can cause serious injury or death if splashed in the eyes or on skin, inhaled or swallowed.</p> <ul style="list-style-type: none"> • Read Safety Data Sheet (SDS) for handling instructions and to know the specific hazards of the fluids you are using, including the effects of long-term exposure. • When spraying, servicing equipment, or when in the work area, always keep work area well ventilated and always wear appropriate personal protective equipment. See Personal Protective Equipment warnings in this manual. • Store hazardous fluid in approved containers, and dispose of it according to applicable guidelines.
	<p>PERSONAL PROTECTIVE EQUIPMENT</p> <p>Always wear appropriate personal protective equipment and cover all skin when spraying, servicing equipment, or when in the work area. Protective equipment helps prevent serious injury, including long-term exposure; inhalation of toxic fumes, mists or vapors; allergic reaction; burns; eye injury and hearing loss. This protective equipment includes but is not limited to:</p> <ul style="list-style-type: none"> • A properly fitting respirator, which may include a supplied-air respirator, chemically impermeable gloves, protective clothing and foot coverings as recommended by the fluid manufacturer and local regulatory authority. • Protective eyewear and hearing protection.
  	<p>SKIN INJECTION HAZARD</p> <p>High-pressure fluid from dispensing device, hose leaks, or ruptured components will pierce skin. This may look like just a cut, but it is a serious injury that can result in amputation. Get immediate surgical treatment.</p> <ul style="list-style-type: none"> • Engage trigger lock when not dispensing. • Do not point dispensing device at anyone or at any part of the body. • Do not put your hand over the fluid outlet. • Do not stop or deflect leaks with your hand, body, glove, or rag. • Follow the Pressure Relief Procedure when you stop dispensing and before cleaning, checking, or servicing equipment. • Tighten all fluid connections before operating the equipment. • Check hoses and couplings daily. Replace worn or damaged parts immediately

! WARNING



EQUIPMENT MISUSE HAZARD

Misuse can cause death or serious injury.

- Do not operate the unit when fatigued or under the influence of drugs or alcohol.
- Do not exceed the maximum working pressure or temperature rating of the lowest rated system component. See **Technical Data** in all equipment manuals.
- Use fluids and solvents that are compatible with equipment wetted parts. See **Technical Data** in all equipment manuals. Read fluid and solvent manufacturer's warnings. For complete information about your material, request MSDS from distributor or retailer.
- Do not leave the work area while equipment is energized or under pressure. Turn off all equipment and follow the **Pressure Relief Procedure** when equipment is not in use.
- Check equipment daily. Repair or replace worn or damaged parts immediately with genuine manufacturer's replacement parts only.
- Do not alter or modify equipment.
- Use equipment only for its intended purpose. Call your distributor for information.
- Route hoses and cables away from traffic areas, sharp edges, moving parts, and hot surfaces.
- Do not kink or over bend hoses or use hoses to pull equipment.
- Keep children and animals away from work area.
- Comply with all applicable safety regulations.



FIRE AND EXPLOSION HAZARD

Flammable fumes, such as solvent and paint fumes, in **work area** can ignite or explode. To help prevent fire and explosion:

- Use equipment only in well ventilated area.
- Eliminate all ignition sources; such as pilot lights, cigarettes, portable electric lamps, and plastic drop cloths (potential static arc).
- Keep work area free of debris, including solvent, rags and gasoline.
- Do not plug or unplug power cords, or turn power or light switches on or off when flammable fumes are present.
- Ground all equipment in the work area. See **Grounding** instructions.
- Use only grounded hoses.
- Hold gun firmly to side of grounded pail when triggering into pail.
- If there is static sparking or you feel a shock, **stop operation immediately**. Do not use equipment until you identify and correct the problem.
- Keep a working fire extinguisher in the work area.



BURN HAZARD

Equipment surfaces and fluid that's heated can become very hot during operation. To avoid severe burns:

- Do not touch hot fluid or equipment.



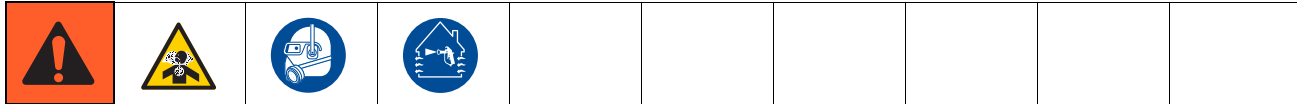
PRESSURIZED ALUMINUM PARTS HAZARD

Use of fluids that are incompatible with aluminum in pressurized equipment can cause serious chemical reaction and equipment rupture. Failure to follow this warning can result in death, serious injury, or property damage.

- Do not use 1,1,1-trichloroethane, methylene chloride, other halogenated hydrocarbon solvents or fluids containing such solvents.
- Many other fluids may contain chemicals that can react with aluminum. Contact your material supplier for compatibility.

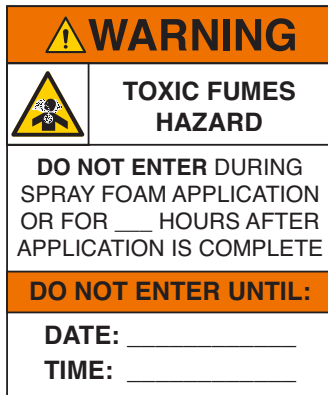
Important Two-Component Material Information

Isocyanate Conditions



Spraying or dispensing fluids that contain isocyanates creates potentially harmful mists, vapors, and atomized particulates.

- Read and understand the fluid manufacturer’s warnings and Safety Data Sheet (SDS) to know specific hazards and precautions related to isocyanates.
- Use of isocyanates involves potentially hazardous procedures. Do not spray with this equipment unless you are trained, qualified, and have read and understood the information in this manual and in the fluid manufacturer’s application instructions and SDS.
- Use of incorrectly maintained or mis-adjusted equipment may result in improperly cured material, which could cause off gassing and offensive odors. Equipment must be carefully maintained and adjusted according to instructions in the manual.
- To prevent inhalation of isocyanate mists, vapors and atomized particulates, everyone in the work area must wear appropriate respiratory protection. Always wear a properly fitting respirator, which may include a supplied-air respirator. Ventilate the work area according to instructions in the fluid manufacturer’s SDS.
- Avoid all skin contact with isocyanates. Everyone in the work area must wear chemically impermeable gloves, protective clothing and foot coverings as recommended by the fluid manufacturer and local regulatory authority. Follow all fluid manufacturer recommendations, including those regarding handling of contaminated clothing. After spraying, wash hands and face before eating or drinking.
- Hazard from exposure to isocyanates continues after spraying. Anyone without appropriate personal protective equipment must stay out of the work area during application and after application for the time period specified by the fluid manufacturer. Generally this time period is at least 24 hours.
- Warn others who may enter work area of hazard from exposure to isocyanates. Follow the recommendations of the fluid manufacturer and local regulatory authority. Posting a placard such as the following outside the work area is recommended:



For all applications except spray foam



Spraying or dispensing fluids that contain isocyanates creates potentially harmful mists, vapors, and atomized particulates.

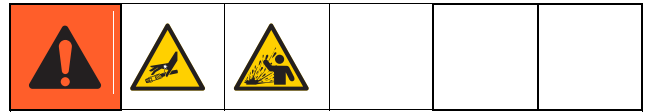
- Read and understand the fluid manufacturer's warnings and Safety Data Sheet (SDS) to know specific hazards and precautions related to isocyanates.
- Use of isocyanates involves potentially hazardous procedures. Do not spray with this equipment unless you are trained, qualified, and have read and understood the information in this manual and in the fluid manufacturer's application instructions and SDS.
- Use of incorrectly maintained or mis-adjusted equipment may result in improperly cured material. Equipment must be carefully maintained and adjusted according to instructions in the manual.
- To prevent inhalation of isocyanate mists, vapors, and atomized particulates, everyone in the work area must wear appropriate respiratory protection. Always wear a properly fitting respirator, which may include a supplied-air respirator. Ventilate the work area according to instructions in the fluid manufacturer's SDS.
- Avoid all skin contact with isocyanates. Everyone in the work area must wear chemically impermeable gloves, protective clothing and foot coverings as recommended by the fluid manufacturer and local regulatory authority. Follow all fluid manufacturer recommendations, including those regarding handling of contaminated clothing. After spraying, wash hands and face before eating or drinking.

Material Self-ignition



Some materials may become self-igniting if applied too thick. Read material manufacturer's warnings and Safety Data Sheet (SDS).

Keep Components A and B Separate



Cross-contamination can result in cured material in fluid lines which could cause serious injury or damage equipment. To prevent cross-contamination:

- **Never** interchange component A and component B wetted parts.
- Never use solvent on one side if it has been contaminated from the other side.

Moisture Sensitivity of Isocyanates

Exposure to moisture (such as humidity) will cause ISO to partially cure, forming small, hard, abrasive crystal that become suspended in the fluid. Eventually a film will form on the surface and the ISO will begin to gel, increasing in viscosity.

NOTICE

Partially cured ISO will reduce performance and the life of all wetted parts.

- Always use a sealed container with a desiccant dryer in the vent, or a nitrogen atmosphere. **Never** store ISO in an open container.
- Keep the ISO pump wet cup or reservoir (if installed) filled with appropriate lubricant. The lubricant creates a barrier between the ISO and the atmosphere.
- Use only moisture-proof hoses compatible with ISO.
- Never use reclaimed solvents, which may contain moisture. Always keep solvent containers closed when not in use.
- Always lubricate threaded parts with an appropriate lubricant when reassembling.

NOTE: The amount of film formation and rate of crystallization varies depending on the blend of ISO, the humidity, and the temperature.

Foam Resins with 245 fa Blowing Agents

Some foam blowing agents will froth at temperatures above 90°F (33°C) when not under pressure, especially if agitated. To reduce frothing, minimize preheating in a circulation system.

Changing Materials

NOTICE

Changing the material types used in your equipment requires special attention to avoid equipment damage and downtime.

- When changing materials, flush the equipment multiple times to ensure it is thoroughly clean.
- Always clean the fluid inlet strainers after flushing.
- Check with your material manufacturer for chemical compatibility.
- When changing between epoxies and urethanes or polyureas, disassemble and clean all fluid components and change hoses. Epoxies often have amines on the B (hardener) side. Polyureas often have amines on the B (resin) side.

Grounding



The equipment must be grounded. Grounding reduces the risk of static and electric shock by providing an escape wire for the electrical current due to static build up or in the event of a short circuit.

Pump: use ground wire and clamp (supplied). Connect ground clamp to a true earth ground.

Gun: ground through connection to a properly grounded fluid hose and pump.

Fluid supply container: follow local code.

Solvent pails used when flushing: follow local code. Use only conductive metal pails, placed on a grounded surface. Do not place the pail on a non-conductive surface, such as paper or cardboard, which interrupts grounding continuity.

Maintain grounding continuity: When flushing or relieving pressure, hold metal part of the gun firmly to the side of a grounded metal pail, then trigger the gun.

Trigger Lock

Verify that the trigger lock is engaged whenever you stop pouring to avoid accidental triggering. Check daily for chemical build-up on trigger, trigger lock, and trigger lock spring that can prevent proper trigger lock function.



Engage

To engage the trigger lock, release the trigger. The trigger lock is spring loaded and automatically engages when the gun trigger is released.

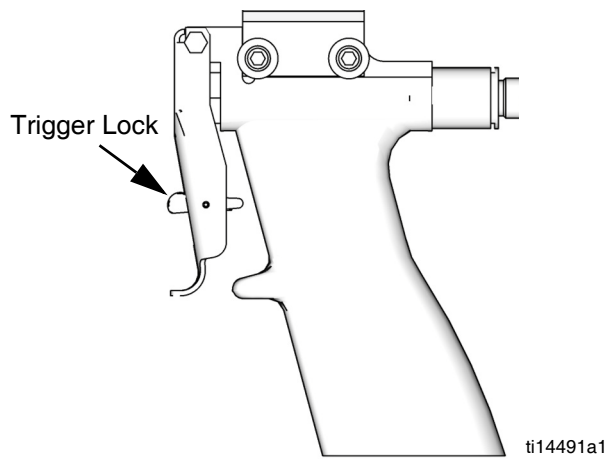


FIG. 1: Models 257509, 257510

To engage the trigger lock, press the trigger lock down.

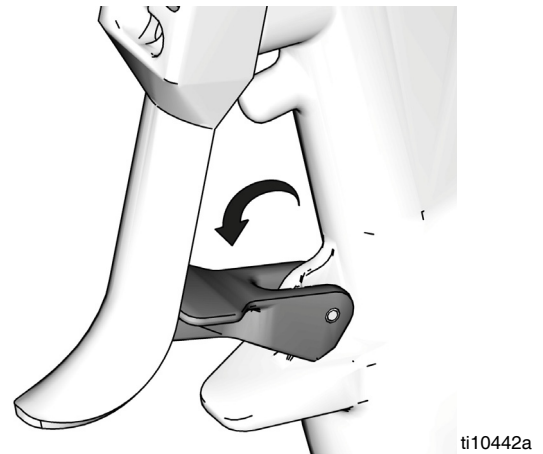


FIG. 2: Kit 24K223

Disengage

To disengage the trigger lock, press trigger lock down. See the following figure.

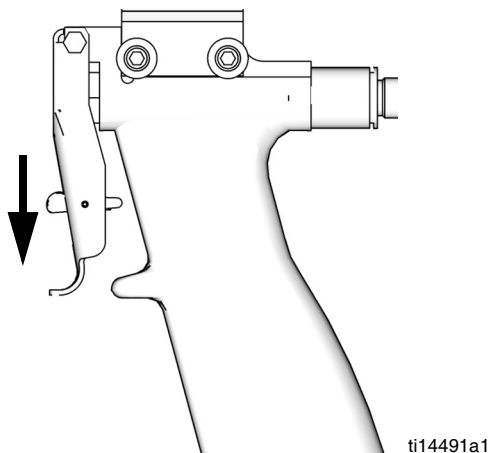


FIG. 3: Models 257509, 257510

To disengage the trigger lock, press the trigger lock up.

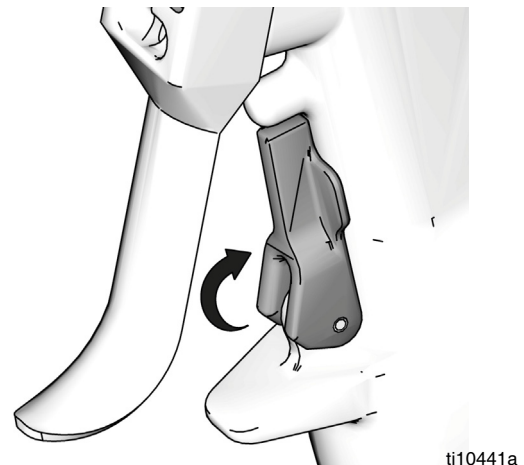
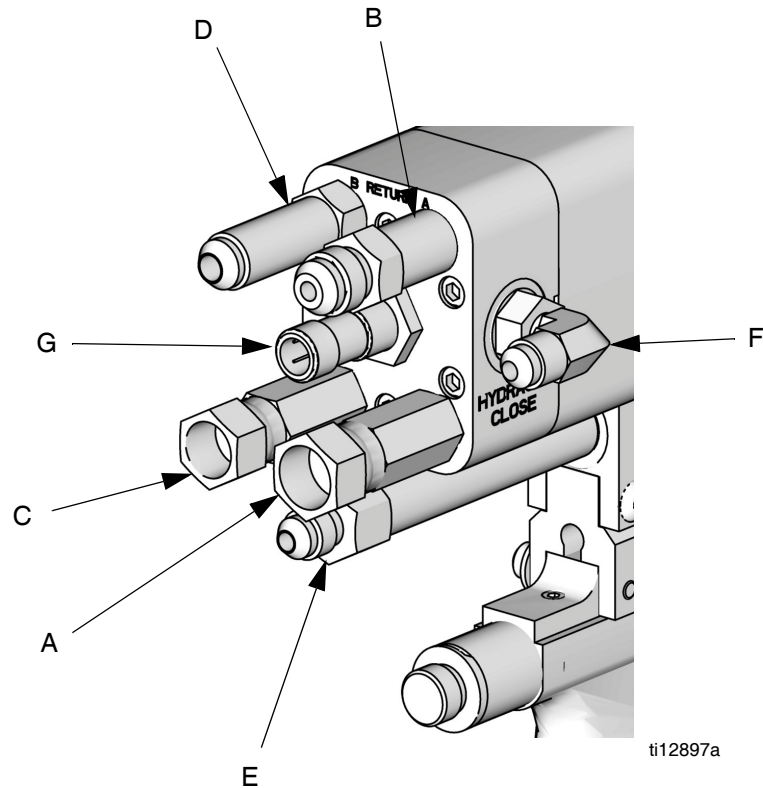


FIG. 4: Kit 24K223

Setup

Gun Connections



ti12897a

FIG. 5

Ref	Description	Tape Color †	Fitting Size	HFR Systems Only
A	A Pressure Line	Red	7/16 ORG x #6 JIC Female	7/16 ORG x #5 JIC Female
B	A Return Line	Red and White	7/16 ORG x #6 JIC Male	7/16 ORG x #5 JIC Male
C	B Pressure Line	Blue	7/16 ORG x #5 JIC Female	7/16 ORG x #6 JIC Female
D	B Return Line	Blue and White	7/16 ORG x #5 JIC Male	7/16 ORG x #6 JIC Male
E	Hydraulic Open Line	Green and White	7/16 ORG x #4 JIC Male Extension	7/16 ORG x #4 JIC Male Extension
F	Hydraulic Close Line	Green	7/16 ORG x #4 JIC Male Elbow	7/16 ORG x #4 JIC Male Elbow
G	Proximity Switch or Plug (depending on model)	NA	NA	NA

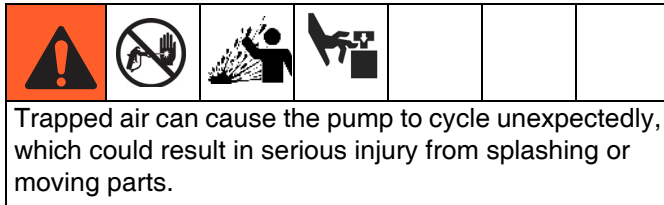
† Only hoses are taped, fittings are not taped.

Fluid Line

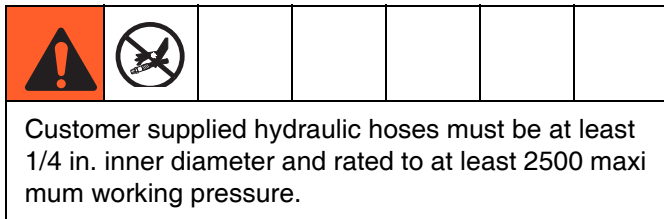
Fluid Filter: Use a 25 micron stainless steel element to filter particles from the fluid as it leaves the pump.

Fluid Drain Valve: Required in your system, to relieve fluid pressure in the hose and gun.

Gun Setup



1. Verify hydraulic power pack is off.
2. Install hydraulic hoses to power pack.



3. Use a 7/16 in. JIC male-male adapter at the gun end to connect hoses together. This creates a hydraulic fluid circulation loop.

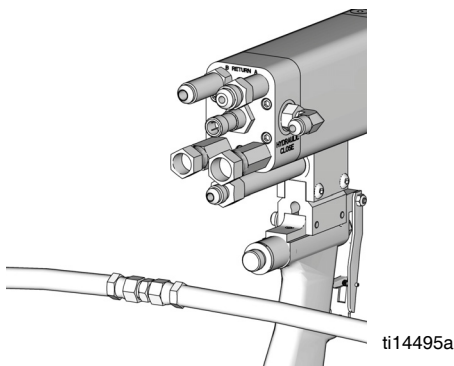


FIG. 6

4. Turn on the power pack. Circulate oil for 10 minutes to purge air from hydraulic hoses.

NOTE: Pressure should not increase while air is purged from hoses.

5. Turn off power pack. Verify no pressure exists in hoses.
6. Remove the 7/16 in. JIC male-male adapter connecting the hydraulic hoses.
7. Attach hydraulic hoses to the gun.

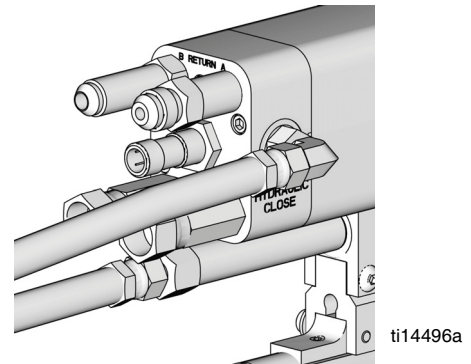


FIG. 7

8. Set power pack to manual mode.
9. Attach trigger switch cable and proximity switch cable (if applicable) to gun and power pack.

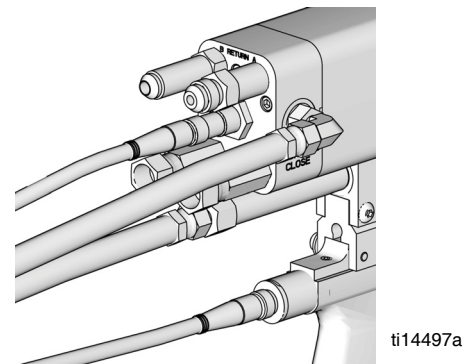


FIG. 8

10. Verify power pack pressure is 1800 - 2500 psi. Adjust pressure as required.

11. Install chemical hoses to gun. See FIG. 5 on page 10 and FIG. 9.

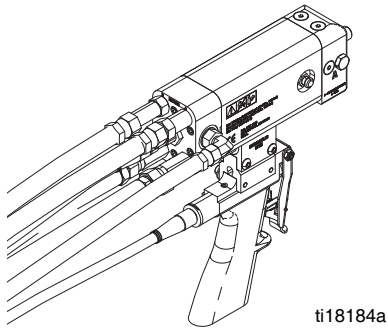


FIG. 9

Shutoff Valve Setup



The shutoff valves are used to control chemical flow.

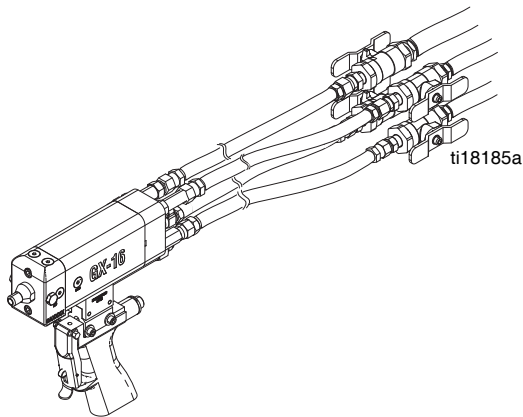
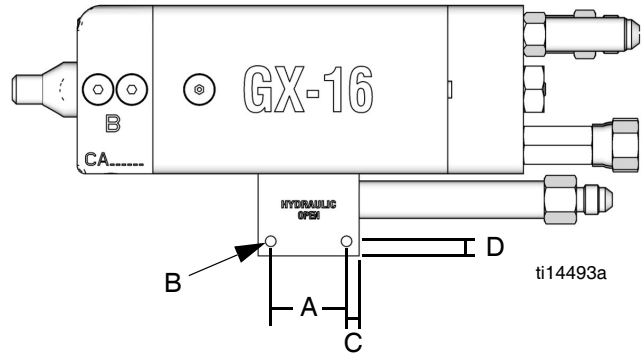


FIG. 10: Shutoff Valve Setup

1. Perform pressure relief procedure. See **Pressure Relief Procedure** on page 15.
2. Use four chemical hoses to connect shutoff valves to gun. See FIG. 10.
3. Perform gun setup procedure to connect remaining hoses. See **Gun Setup** on page 11.
4. Perform **Startup** procedure on page 13.

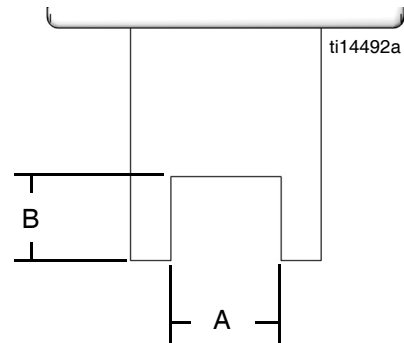
Mounting

Use the following mounting dimensions to mount the GX-16 gun body.



- A Width: 1.125 in. (28.58 mm)
- B Diameter: 0.159 in. (4.04 mm),
10/32 UNF Thread on one side
- C From edge: 0.188 in. (4.78 mm)
- D From edge: 0.218 in. (5.54 mm)

FIG. 11: Mounting Hole Dimensions

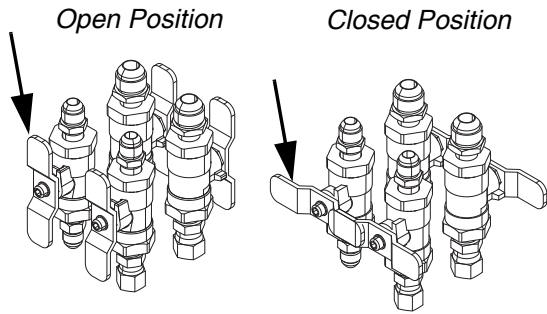


- A Width: 0.578 in. (14.7 mm)
- B Height: 0.440 in. (11.2 mm)

FIG. 12: Mounting Block Dimensions

Startup

1. If your setup uses the optional shutoff valves, rotate the handles to the “open” position.



ti18186a

FIG. 13: Shutoff Valves Positions

2. Verify cables and hoses are correctly setup. See **Gun Connections** section on page 10.
3. Check for excessive wear on cables and hoses. Replace as necessary.

4. Close dump valve on hydraulic power pack.

Hydraulic pressure must not exceed the maximum working pressure of 2500 psi (17 MPa, 172 bar).						

5. Start power pack and verify hydraulic pressure is 1800 - 2500 psi.
6. Start chemical pumps.

Chemical pressure must not exceed the maximum working pressure of 3000 psi (21 MPa, 207 bar).						

7. Verify chemical pressure is in desired range.

--	--	--	--	--	--	--

8. Dispense a test shot into a waste container.
9. Clean any residual material from the tip of the gun.

Operation

Theory of Operation

Circulation

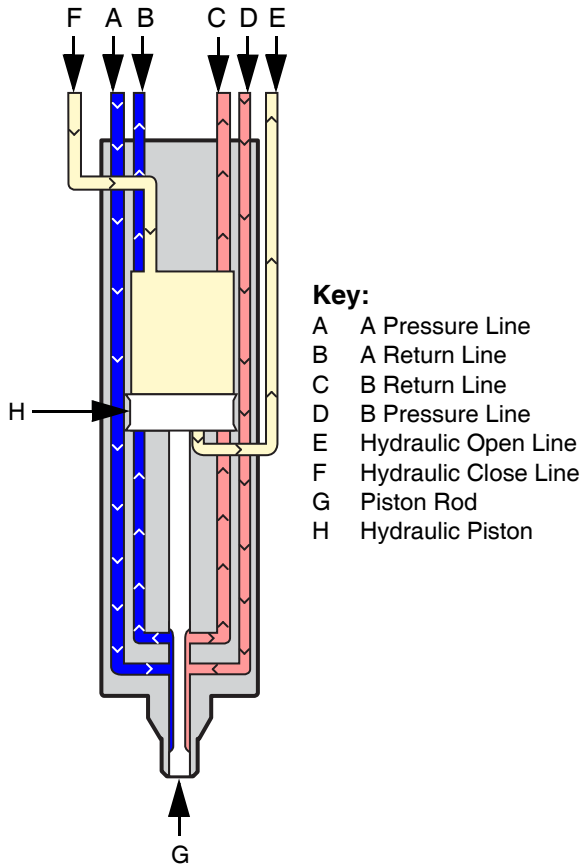


FIG. 14: Circulation

Hydraulic pressure extends the piston rod to the circulation position. Material enters the material pressure line and is sent to the material return line.

When the piston rod is extended to this position, it removes gelled material from the nose assembly.

Dispense

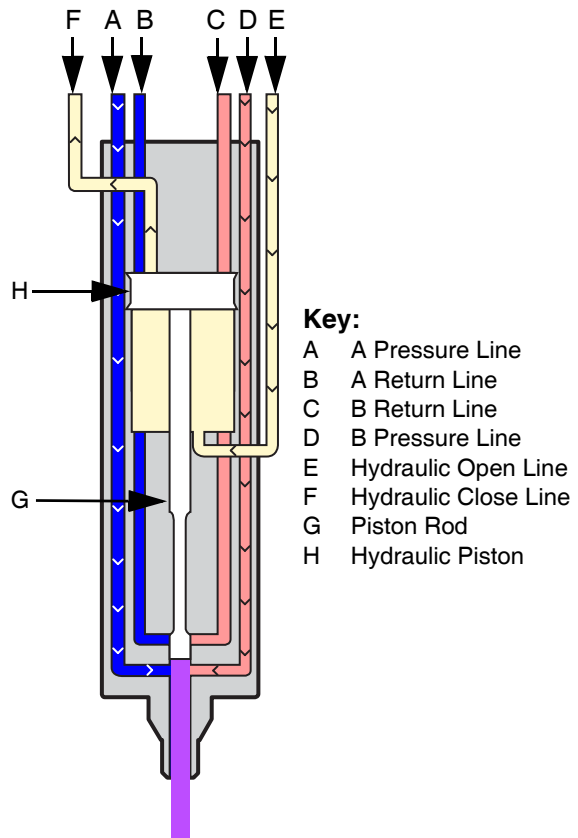


FIG. 15: Dispense

Hydraulic pressure retracts the piston rod to the dispense position. Material enters the A and B material pressure lines and mixes in the mixing chamber.

When the piston rod is in this position, it blocks material flow from entering the material return line.

Pressure Relief Procedure



1. **If your setup uses the optional shutoff valves**, rotate the handles to the “open” position.
2. Shut down chemical pumps.
3. Drain air pressure from the A and B side chemical tanks.
4. After tank air pressure is at zero, close the A and B tank outlet valves.
5. Verify pressures read zero on chemical pressure gauges.
6. Turn off hydraulic power pack.
7. Bleed hydraulic pressure via dump valve on power pack.
8. Verify pressures read zero on hydraulic pressure gauges.

Shutdown



1. Perform **Pressure Relief Procedure**.
2. Perform any required maintenance. See **Maintenance** on page 16.
3. **If system will not be in use for longer than two weeks**, the A and B chemical tanks must have 10 psi of dry air pressure.

NOTICE

Air must be dry. Moist air will react with isocyanate and cause crystallization resulting in significant component damage.

4. **If the gun will not be used for longer than four weeks**, flush the gun.

Maintenance

Procedure	Frequency
Inspect the gun, fluid lines, trigger switch cable and, if installed, the proximity switch cable for wear or damage	Daily
Grease the gun	Weekly or Every 15,000 Shots
Clean and service the orifices and filters	As Needed

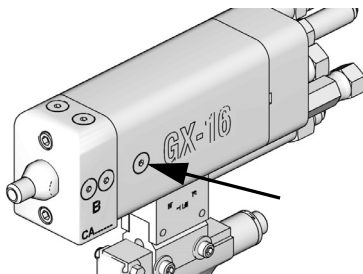
Recommended Tools

- 7/16 in. open end wrench
- 3/8 in. open end wrench
- 1/8 in. allen key
- 1/4 in. allen key
- Pin vise 117661
- Drill bit (see etching on orifice for size, drill bit should be same size as orifice)
- O-Ring Pick
- Small brass brush
- 1/4 in. brass barrel brush
- Small flashlight
- Small solvent pump can
- Cleaning rags
- Chemically impermeable gloves
- Safety glasses
- Small chemical and solvent waste container
- Grease gun
- Grease, part 0553-6

Grease the Gun

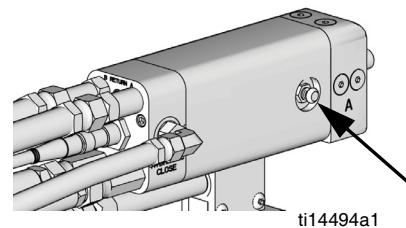


1. Perform pressure relief procedure. See **Pressure Relief Procedure** on page 15.
2. Use a 1/8 in. allen key to remove the plug.



ti12899a1

3. Use a grease gun with the required synthetic grease, part 0553-6, to purge the gun body until grease exits the weep hole without evidence of hydraulic oil or hardened material.



ti14494a1

FIG. 16: Grease Fitting

4. Use a 1/8 in. allen key to install the plug.

Recommended Hydraulic Oil

NOTICE

Recommended Hydraulic Oil

Use Graco-approved Hydraulic Oil, Part No. 169236 (5 gal) or 207428 (1 gal)) or a premium, ISO grade 46 petroleum-based hydraulic oil containing rust and oxidation inhibitors and anti-wear agents.

Before using any other type of oil in this motor, contact your Graco distributor. Unauthorized use of lesser grade oil or substitutes may void the warranty.

Hydraulic Oil Working Temperature

The maximum hydraulic oil operating temperature is 180 °F (82 °C).

Recommended Grease

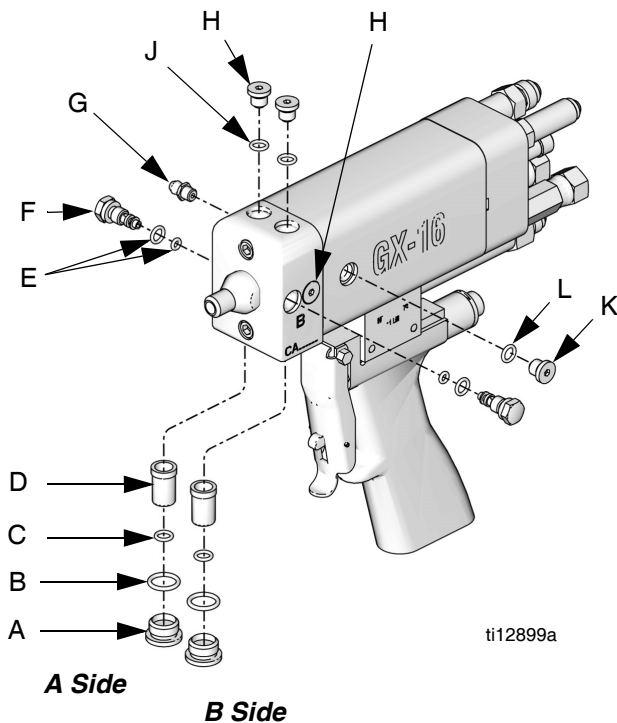
NOTICE

Recommended Grease

Use Graco-approved grease, Part No. 0553-6. This is a synthetic grease with an operating temperature up to 450 °F.

Clean and Service the Orifices and Filters

<p>Cross-contamination can result in cured material in fluid lines which could cause serious injury or damage equipment. To prevent cross-contamination of the equipment's wetted parts, never interchange component A (isocyanate) and component B (resin) parts.</p>					



Key:

- | | |
|----------------------|------------------------|
| A Filter Plug | G Grease Port Plug |
| B Filter Plug O-Ring | H Cleanout Plug |
| C Filter O-Ring | J Cleanout Plug O-Ring |
| D Filter | K Plug |
| E Orifice O-Rings | L Plug O-Ring |
| F Orifice | |

FIG. 17:

NOTE: See **Dispenser Models 257513, 257514, 257515** on page 28 for applicable part numbers.

1. Perform pressure relief procedure. See **Pressure Relief Procedure** on page 15.

2. If your setup uses the optional shutoff valves, rotate the handles to the "close" position
3. Use a 7/16 in. wrench to remove the orifice.
4. Use a 1/8 in. allen key to remove the cleanout plug next to the orifice.
5. Use a 1/4 in. allen key to remove the filter plug (A).
6. Remove the filter (D).
7. Use a pick to remove any hardened material from filter.
8. Use solvent to flush residue from this side of the gun block.
9. Use a pin vise and drill bit to carefully clean the orifice.
10. Remove the orifice o-rings.
11. Use a pick to remove any hardened material from the orifice body.
12. Flush the orifice body with solvent then dry the orifice.
13. Install new o-rings on the orifice.
14. Install new filter.
15. Replace filter retainer o-ring if needed.
16. Apply grease to filter retainer threads then use a 1/4 in. allen key to install the filter retainer.
17. Apply grease to the o-ring plug threads.
18. Install o-rings then use a 1/8 in. allen key to install cleanout plug next to the orifice.
19. Apply grease to orifice threads then install the orifice assembly.
20. Repeat for opposite chemical side of gun.

Proximity Switch Replacement Procedure



1. Perform pressure relief procedure. See **Pressure Relief Procedure** on page 15.
2. Remove proximity switch cable attached to proximity switch.
3. Remove proximity switch from rear of gun body.

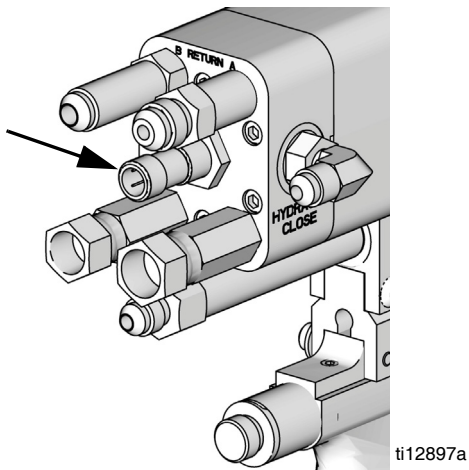


FIG. 18

4. Install new proximity switch.
5. Attach proximity switch cable to proximity switch.

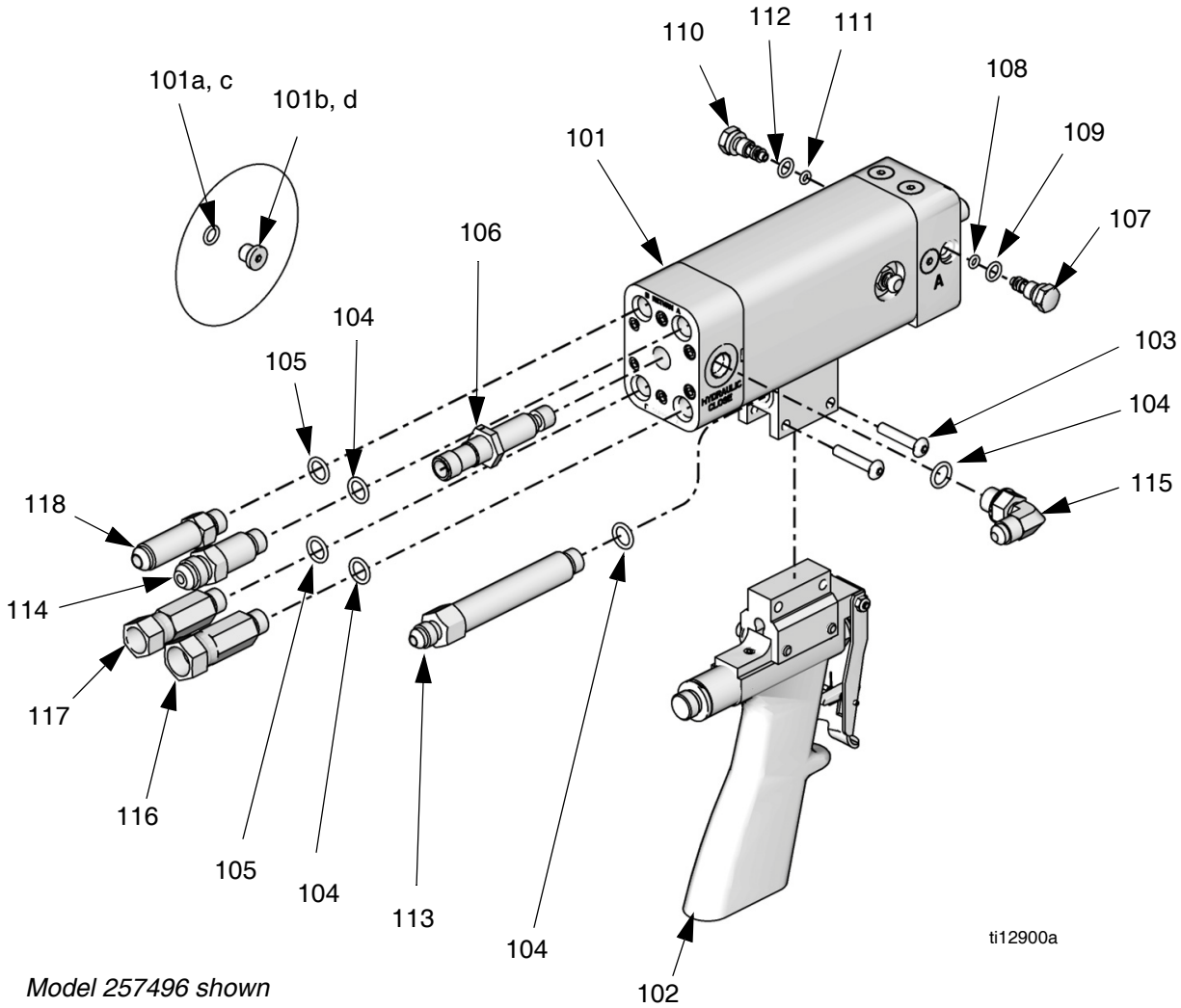
Troubleshooting



Problem	Cause	Solution
Poor mixing	One or both sides of gun are clogged	Clean the gun, see Maintenance on page 16 One or both orifices may need to be replaced
	Hydraulic piston not opening fast enough due to insufficient hydraulic pressure	Verify hydraulic unit pressure and accumulator charge
No fluid being dispensed	Insufficient pressure to move hydraulic piston to the dispense position	Verify hydraulic unit pressure and accumulator charge
	Faulty proximity switch	Replace proximity switch
	Damaged piston u-cup seals	Send gun to Graco for repair
Chemical crossover	Seal failure on piston rod	Send gun to Graco for repair
Hydraulic leak into divorce chamber (hydraulic fluid found in purged grease when greasing the gun)	Damaged seal u-cup	Send gun to Graco for repair
Proximity switch not working	Damaged proximity switch	Remove and test the switch, replace as needed
	Damaged proximity switch cord	Remove and test the cord, replace as needed

Parts

**Gun Models 257496, 257498, 257499,
257505, 257506, 257507, 24J187, 24E876**



Model 257496 shown

ti12900a

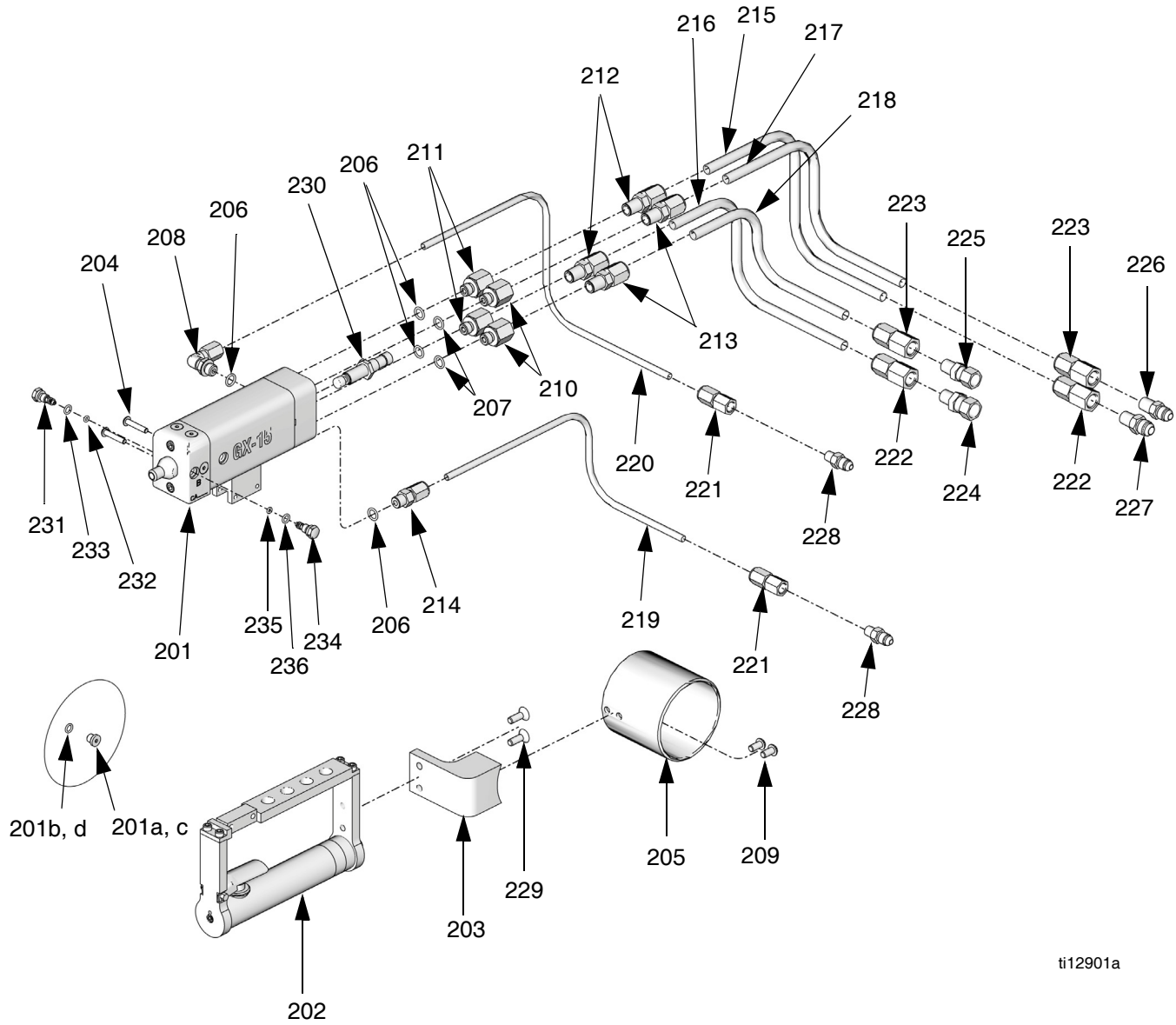
Ref.	Part	Description	Quantity by Model							
			257496	257498	257499	257505	257506	257507	24J187	24E876
101	257513	DISPENSER, GX-16, 1:1, pre-assy				1	1	1		
	257514	DISPENSER, GX-16, 24:1, pre-assy	1	1					1	1
	257515	DISPENSER, GX-16, rev block, pre-assy			1					
. 101a◆	. 122685	. PLUG, sae02, socket head, m, ms, 6k	1	1	1	2	2	2		
. 101b◆	. 261500	. O-RING, #902, fluoroelastomer	1	1	1	2	2	2		
. 101c◆	. 122687	. PLUG, sae02, 316 ss	1	1	1					

Ref.	Part	Description	Quantity by Model							
			257496	257498	257499	257505	257506	257507	24J187	24E876
. 101d◆	. 122679	. O-RING, epr, #902	1	1	1					
102	257509	HANDLE, GX-16, pistol grip				1				
	257510	HANDLE, GX-16, pistol grip, isolated	1				1	1		
103	122694	SCREW, bhsc, 10-32x1.00, ms	2			2	2	2		
104	122707	O-RING, fluoroelastomer, #904, 75a	4	4	4	6	6	6	3	3
105	122714	O-RING, ep, 904, 70a	2	2	2				2	2
106	122713	SWITCH, proximity	1	1	1		1		1	1
	15Y178	PLUG, cavity, proximity switch				1		1		
107	257724	RESTRICTOR, orifice assy, 0.061	1						1	
	257717	RESTRICTOR, orifice assy, 0.039					1			
108*	168518	PACKING, o-ring, fluoroelastomer	1							
109*	261500	O-RING, #902, fluoroelastomer	1							
110	257701	RESTRICTOR, orifice assy, 0.011	1						1	
	257717	RESTRICTOR, orifice assy, 0.039					1			
111*	285967	O-RING, #006 epr	1							
112*	122679	O-RING, epr, #902	1							
113	15Y177	FITTING, 7/16 org x 7/16 jic ext	1	1	1	1	1	1	1	1
114	298408	FITTING, 7/16 org x 9/16 jic ext	1	1	1	1	1	1		
	122710	ADAPTER, jic05xsae04, mm, ss, 6k							1	1
115	122711	FITTING, elbow, 90, jic04xsae04	1	1	1	1	1	1	1	1
116	122708	ADAPTER, swivel, jic06xsae04, fm, ss, 6k	1	1	1	1	1	1		
	122709	ADAPTER, swivel, jic05xsae04, fm, ss, 6k							1	1
117	122709	ADAPTER, swivel, jic05xsae04, fm, ss, 6k	1	1	1	1	1	1		
	122708	ADAPTER, swivel, jic06xsae04, fm, ss, 6k							1	1
118	122710	ADAPTER, jic05xsae04, mm, ss, 6k	1	1	1	1	1	1		
	298408	FITTING, 7/16 org x 9/16 jic ext							1	1

* **For all models**, o-ring materials are marked on the gun below the A side orifice

◆ Parts are used in the maintenance of the gun. Parts are shipped loose.

Gun Models 257492, 257493, 257494, 257495



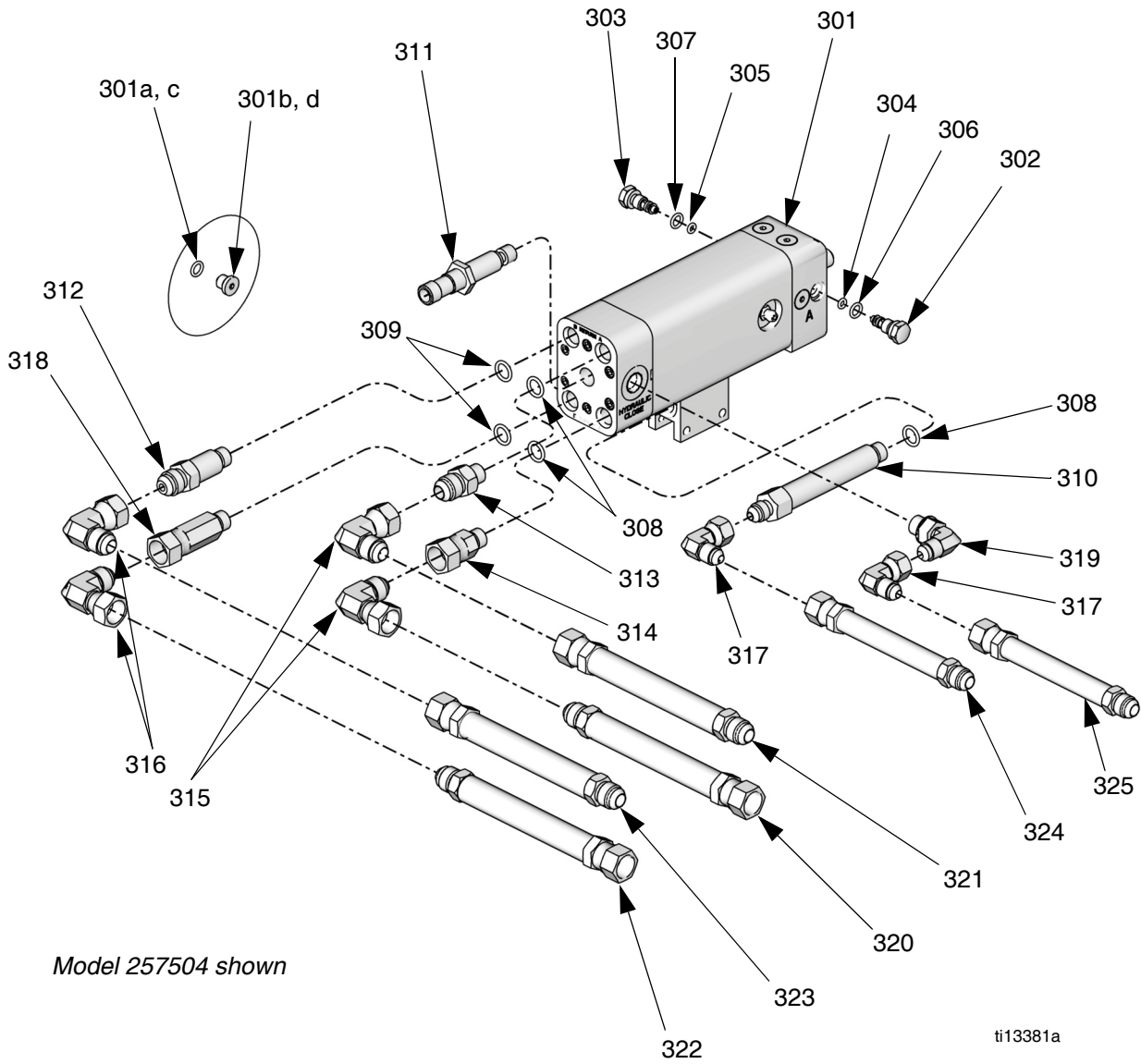
ti12901a

Model 257492 shown

Ref.	Part	Description	Quantity by Model			
			257492	257493	257494	257495
201	257514	DISPENSER, GX-16, 24:1, pre-assy	1	1	1	1
. 201a◆	. 122685	. PLUG, sae02, socket head, m, ms, 6k	1	1	1	1
. 201b◆	. 261500	. O-RING, #902, fluoroelastomer	1	1	1	1
. 201c◆	. 122687	. PLUG, sae02, 316 ss	1	1	1	1
. 201d◆	. 122679	. O-RING, epr, #902	1	1	1	1
202	257594	HANDLE, GX-16, pour	1	1		
	257596	HANDLE, GX-16, pour			1	1
203	15Y246	BRACKET, hose, pour handle	1	1	1	1
204	122694	SCREW, bhsc, 10-32x1.00, ms	2	2	2	2
205	15Y247	BRACKET, hose, cylinder	1	1	1	1
206	122707	O-RING, fluoroelastomer, #904, 75a	4	4	4	4
207	122714	O-RING, ep, 904, 70a	2	2	2	2
208	285874	FITTING, 7/16 o-ring x 1/4 tube 90 elbow	1	1	1	1
209	122741	SCREW, bhcs, 1/4-20x0.50, ms	2	2	2	2
210	122730	ADAPTER, 1/4nptxsae04, fm, ss, 6k, 316	2	2	2	2
211	122731	ADAPTER, 1/4nptxsae04, fm, ms, 6k	2	2	2	2
212	122729	ADAPTER, 1/4nptx3/8tube, mf, ms, 5k	2	2	2	2
213	122732	ADAPTER, 1/4nptx3/8tub, mf, ss, 5k	2	2	2	2
214	122733	ADAPTER, sae04x1/4tub, mf, ms, 5k	1	1	1	1
215	15Y332	TUBE, a-return, left side		1		1
	15Y326	TUBE, a-return, right side	1		1	
216	15Y333	TUBE, a-supply, left side		1		1
	15Y327	TUBE, a-supply, right side	1		1	
217	15Y334	TUBE, b-return, left side		1		1
	15Y328	TUBE, b-return, right side	1		1	
218	15Y335	TUBE, b-supply, left side		1		1
	15Y329	TUBE, b-supply, right side	1		1	
219	15Y336	TUBE, hyd open, left side		1		1
	15Y330	TUBE, hyd open, right side	1		1	
220	15Y337	TUBE, hyd close, left side		1		1
	15Y331	TUBE, hyd close, right side	1		1	
221	122734	ADAPTER, 1/8nptx1/4tub, ff, ms, 5k	2	2	2	2
222	122735	ADAPTER, 1/4nptx3/8tub, ff, ms, 5k	2	2	2	2
223	122736	ADAPTER, 1/4nptx3/8tb, ff, ss, 5k, 316	2	2	2	2
224	122721	ADAPTER, swivel, jic6x1/4npt, fm, ms, 5k	1	1	1	1
225	122737	ADAPTER, swivel, 1/4nptxjic05, fm, ss, 6	1	1	1	1
226	122727	ADAPTER, jic05x1/4npt, mm, ss, 6k, 316	1	1	1	1
227	122722	ADAPTER, jic06x1/4npt, mm, ms, 6k	1	1	1	1
228	122726	FITTING, adapter, jic04x1/8npt	2	2	2	2
229	122742	SCREW, fhcs, 1/4-20x0.750, ms	2	2	2	2
230	122713	SWITCH, proximity	1	1	1	1
231	257724	RESTRICTOR, orifice assy, 0.061	1	1	1	1
232	168518	PACKING, o-ring, fluoroelastomer	1	1	1	1
233	261500	O-RING, #902, fluoroelastomer	1	1	1	1
234	257701	RESTRICTOR, orifice assy, 0.011	1	1	1	1
235	285967	O-RING, #006 epr	1	1	1	1
236	122679	O-RING, epr, #902	1	1	1	1

◆ Parts are used in the maintenance of the gun. Parts are shipped loose.

Gun Models 257497, 257502, 257503, 257504, 24E877, 24E878

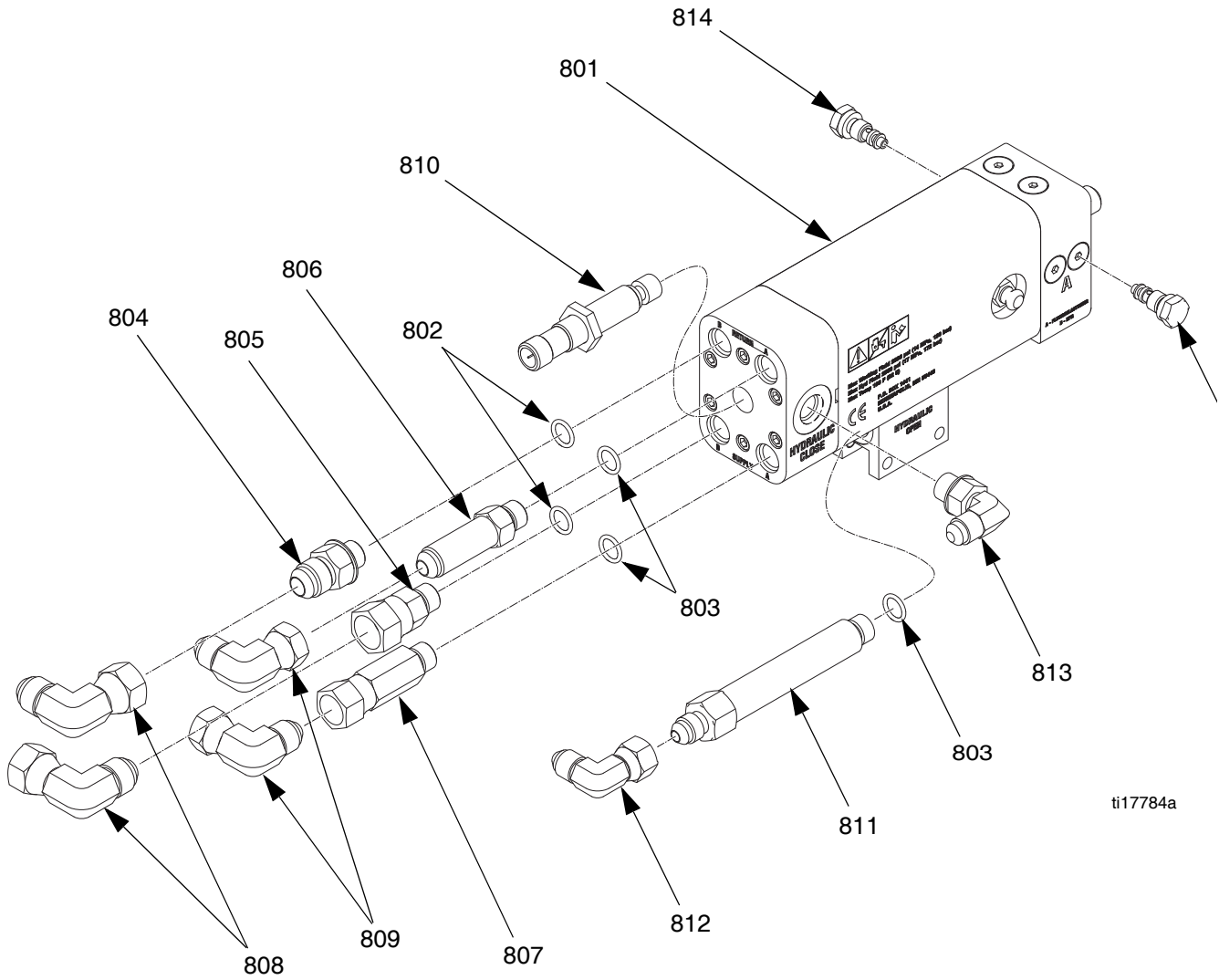


Ref.	Part	Description	Quantity by Model					
			257497	257502	257503	257504	24E877	24E878
301	257513	DISPENSER, GX-16, 1:1, pre-assy		1	1	1		
	257514	DISPENSER, GX-16, 24:1, pre-assy	1				1	1
. 301a◆	. 122685	. PLUG, sae02, socket head, m, ms, 6k	1	1	1	1		
. 301b◆	. 261500	. O-RING, #902, fluoroelastomer	1	1	1	1		
. 301c◆	. 122687	. PLUG, sae02, 316 ss	1	1	1	1		
. 301d◆	. 122679	. O-RING, epr, #902	1	1	1	1		
302	257724	RESTRICTOR, orifice assy, 0.061	1				1	
	257717	RESTRICTOR, orifice assy, 0.039		1	1	1		

Ref.	Part	Description	Quantity by Model					
			257497	257502	257503	257504	24E877	24E878
303	257701	RESTRICTOR, orifice assy, 0.011	1				1	
	257717	RESTRICTOR, orifice assy, 0.039		1	1	1		
304	168518	PACKING, o-ring, fluoroelastomer	1	1	1	1		
305	285967	O-RING, #006 epr	1					
	168518	PACKING, o-ring, fluoroelastomer		1	1	1		
306	261500	O-RING, #902, fluoroelastomer	1	1	1	1		
307	122679	O-RING, epr, #902	1					
	261500	O-RING, #902, fluoroelastomer		1	1	1		
308	122707	O-RING, fluoroelastomer, #904, 75a	3	3		3	3	3
309	122714	O-RING, fluoroelastomer, #904, 75a	2				2	2
	122707	O-RING, fluoroelastomer, #904, 75a		2		2		
310	15Y177	FITTING, 7/16 org x 7/16 jic ext	1	1		1	1	1
311	122713	SWITCH, proximity	1	1	1	1	1	1
312	298408	FITTING, 7/16 org x 9/16 jic ext		1		1	1	1
	122710	ADAPTER, jic05xsae04, mm, ss, 6k	1					
313	122720	ADAPTER, jic06xsae04, mm, ms, 6k, fluoroelastomer	1	1		1		
	124221	ADAPTER, jic05xsae04, mm, ss, 6k					1	1
314	122717	ADAPTER, swivel, jic06xsae04, fm, ms, 6k	1	1		1		
	125541	FITTING, swivel, jic05xsae04, fm, ss, 6k					1	1
315	122719	FITTING, elbow, swivel, 90, jic06, fm, ms	2	2		2		
	122715	FITTING, elbow, swivel, 90, jic05, fm, ss					2	2
316	122715	FITTING, elbow, swivel, 90, jic05, fm, ss	2					
	122719	FITTING, elbow, swivel, 90, jic06, fm, ms		2		2	2	2
317	122718	FITTING, elbow, swivel, 90, jic04, fm, ms	2	2		2	2	2
318	122708	ADAPTER, swivel, jic06xsae04, fm, ss, 6k		1		1	1	1
	122709	ADAPTER, swivel, jic05xsae04, fm, ss, 6k	1					
319	122711	FITTING, elbow, 90, jic04xsae04	1	1		1	1	1
320	24C481	HOSE, 3 ft, A-supply, yellow tape				1		
321	24C482	HOSE, 3 ft, A-return, yellow/white tape				1		
322	24C483	HOSE, 3 ft, B-supply, green tape				1		
323	24C484	HOSE, 3 ft, B-return, green/white tape				1		
324	24C485	HOSE, 3 ft, hydraulic open, black tape				1		
325	24C486	HOSE, 3 ft, hydraulic close, black/white tape				1		

◆ Parts are used in the maintenance of the gun. Parts are shipped loose.

Gun Models 24K233, 24K234

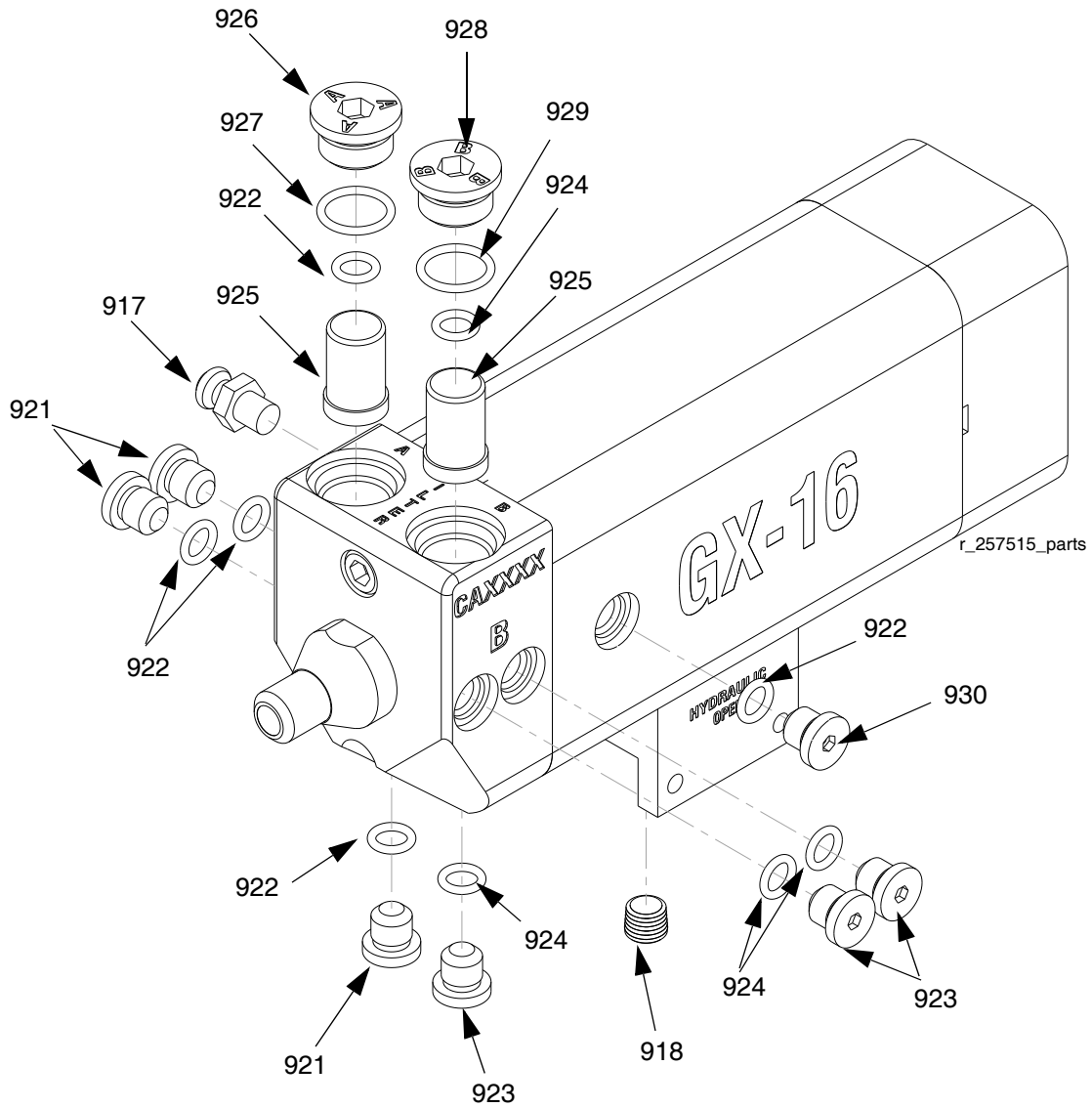


ti17784a

Model 24K233 shown

Ref.	Part	Description	Quantity	
			24K233	24K234
801	257514	DISPENSER, GX-16, 24:1, pre-assy	1	1
802	122714	O-RING, fluoroelastomer, #904, 75a	2	2
803	122707	O-RING, fluoroelastomer, #904, 75a	3	3
804	122720	ADAPTER, jic06xsae04, mm, ms, 6k, fluoroelastomer	1	1
805	122717	ADAPTER, swivel, jic06xsae04, fm, ms, 6k	1	1
806	122710	ADAPTER, jic05xsae04, mm, ss, 6k	1	1
807	122709	ADAPTER, swivel, jic05xsae04, fm, ss, 6k	1	1
808	122719	FITTING, elbow, swivel, 90, jic06, fm, ms	2	2
809	122715	FITTING, elbow, swivel, 90, jic05, fm, ss	2	2
810	122713	SWITCH, proximity	1	1
811	15Y177	FITTING, 7/16 org x 7/16 jic ext	1	1
812	122718	FITTING, elbow, swivel, 90, jic04, fm, ms	2	2
813	122711	FITTING, elbow, 90, jic04xsae04	1	1
814	257701	RESTRICTOR, orifice assy, 0.011	1	
815	257724	RESTRICTOR, orifice assy, 0.061	1	

Dispenser Models 257513, 257514, 257515



Model 257515 shown

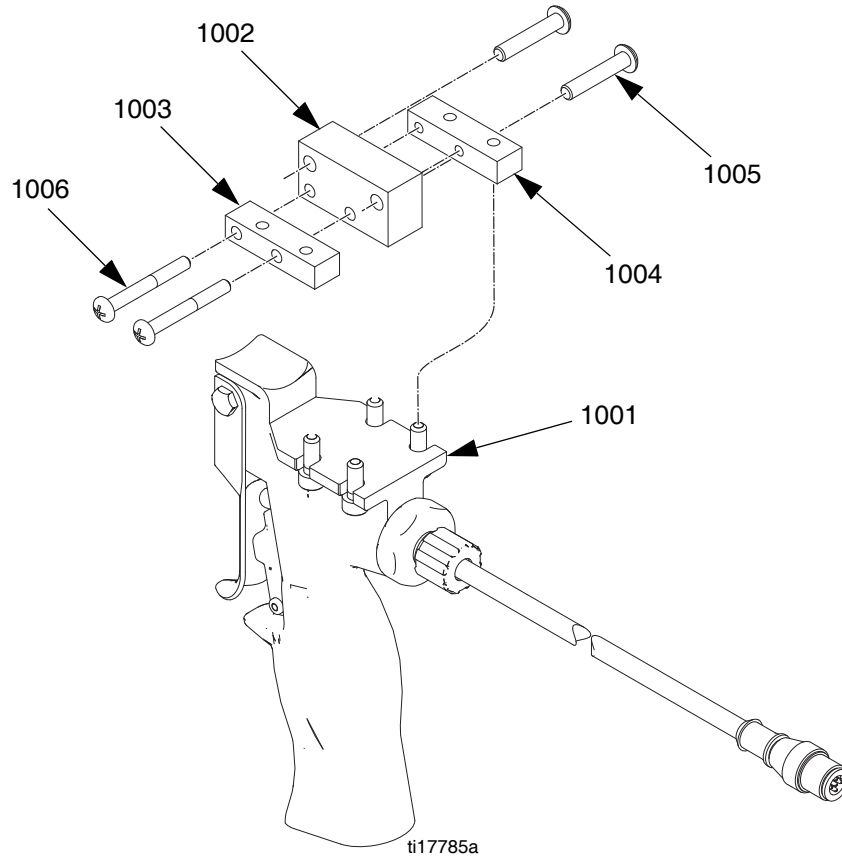
Ref.	Part	Description	Quantity		
			257513	257514	257515
917	295229	FITTING, grease, 1/4-28	1	1	1
918	295693	PLUG, pipe	1	1	1
921	122687	PLUG, sae02, 316 ss		3	
	122685	PLUG, sae02, skt hd, ms, 6k	3		3
922	261500	O-RING, #902	5		5
	122679	O-RING, #902		5	
923	122687	PLUG, sae02, 316 ss			3
	122685	PLUG, sae02, skt hd, ms, 6k	3	3	
924	122679	O-RING, #902			4
	261500	O-RING, #902	4	4	
925	285917	SCREEN, 230 micron	2	2	2
926	15X857	PLUG, filter			1
	15X858	PLUG, filter	1	1	
927	122681	O-RING, #906	1		1
	122680	O-RING, #906		1	
928	15X858	PLUG, filter			1
	15X857	PLUG, filter	1	1	
929	122680	O-RING, #906			1
	122681	O-RING, #906	1	1	
930	122685	PLUG, sae02, skt hd	1	1	1

Orifices

Part	Orifice Assembly Size
257700	Orifice Plug
257701	0.011 in.
257702	0.013 in.
257703	0.016 in.
257704	0.018 in.
257705	0.020 in.
257706	0.022 in.
257707	0.023 in.
257708	0.024 in.
257709	0.025 in.
257710	0.026 in.
257711	0.028 in.
257712	0.029 in.
257713	0.032 in.
257714	0.035 in.
257715	0.036 in.
257716	0.038 in.
257717	0.039 in.
257718	0.040 in.
257719	0.042 in.
257720	0.043 in.
257721	0.044 in.
257722	0.049 in.
257723	0.052 in.
257724	0.061 in.
24K682	0.085 in.

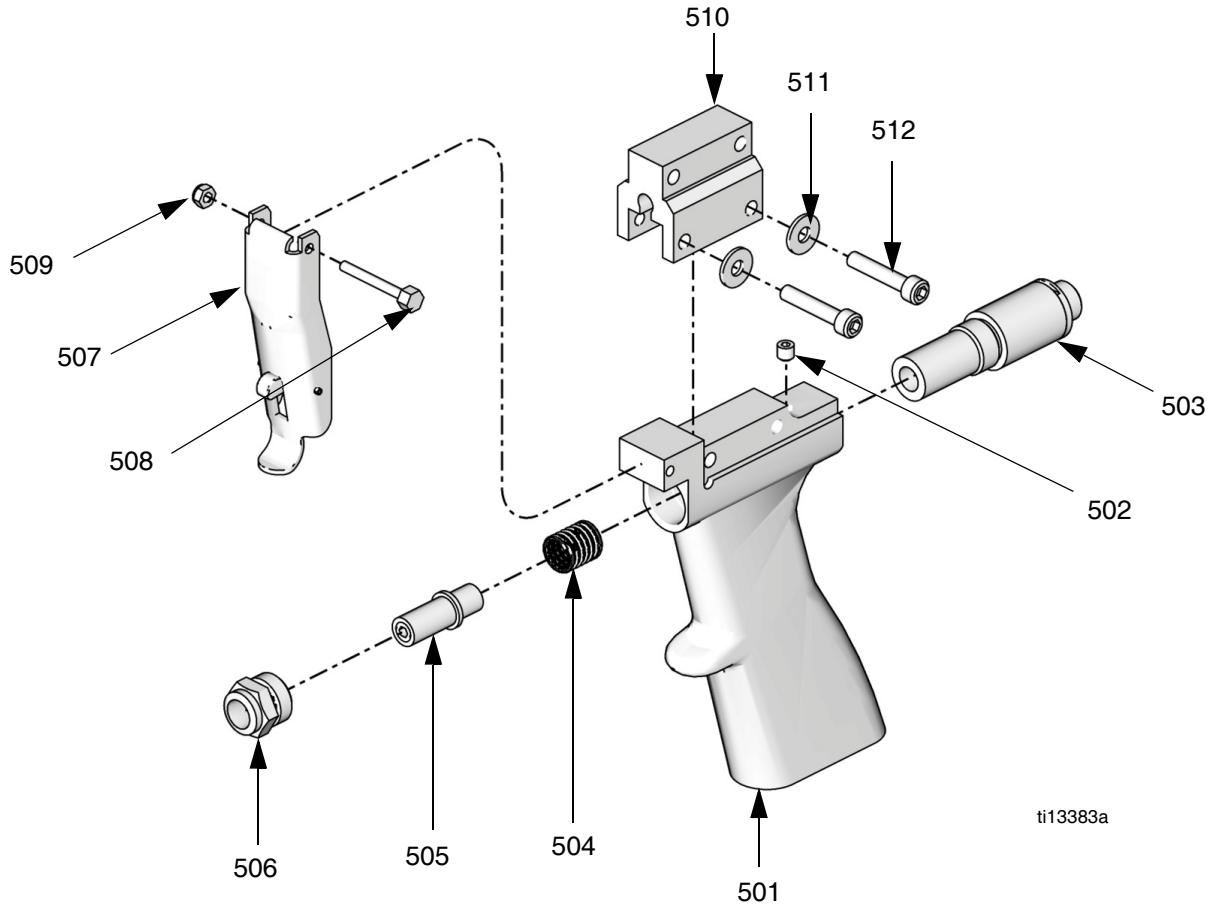
NOTE: O-rings and cleanout drill bits are included in all orifice parts listed.

Gun Handle Kit 24K223



Ref.	Part	Description	Qty
1001	24D073	KIT, handle, EP	1
1002	16H435	ISOLATOR, handle, GX-16 to MD2	1
1003	16H436	ISOLATOR, handle, GX-16 to MD2, left	1
1004	16H437	ISOLATOR, handle, GX-16 to MD2, right	1
1005	122694	SCREW, button head	2
1006	121070	SCREW, machine	2

Gun Handle Models 257509, 257510

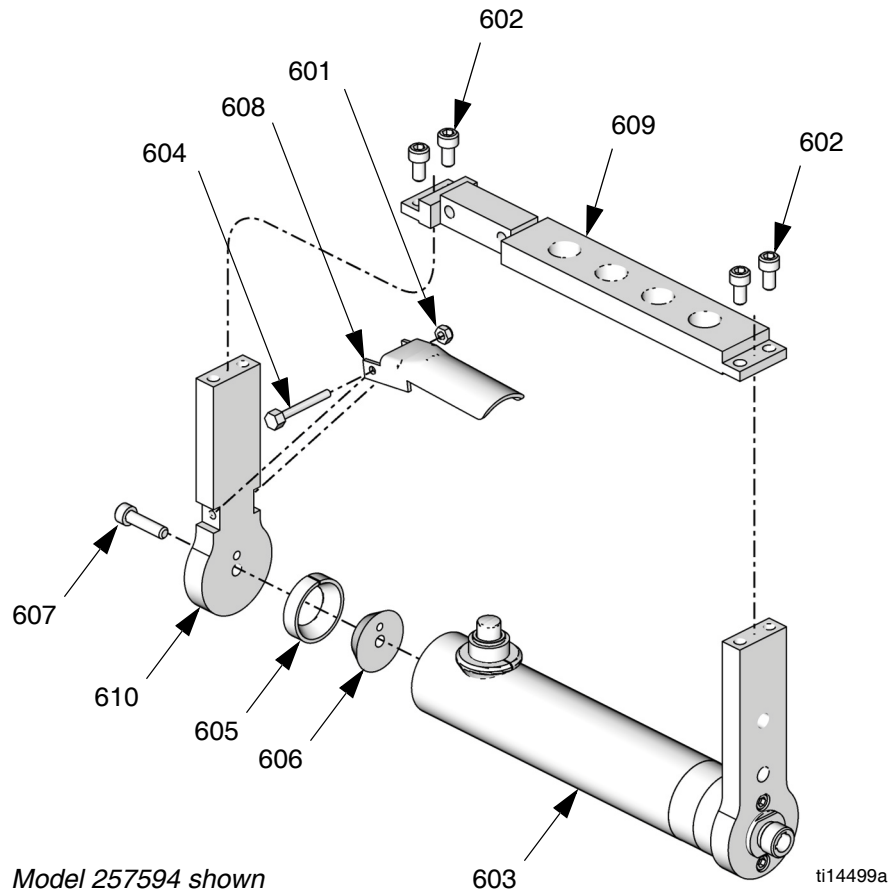


ti13383a

Model 257510 shown

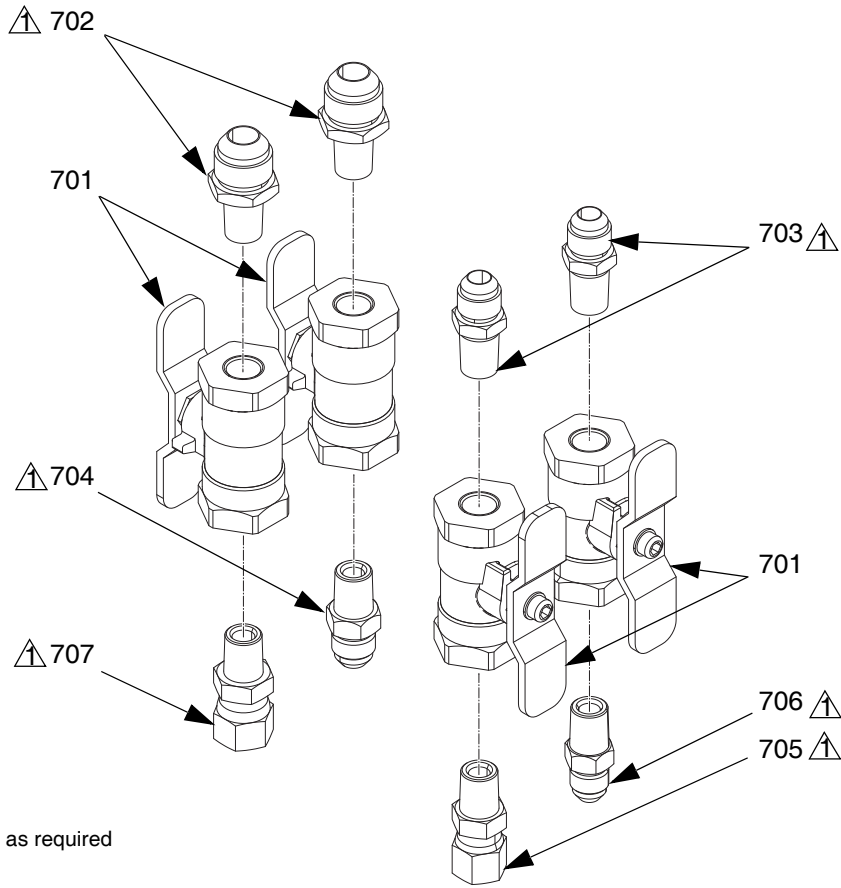
Ref.	Part	Description	Qty
501	257576	HANDLE	1
502	112095	SCREW, set	1
503	257578	SWITCH, trigger	1
504	299650	SPRING	1
505	257577	PLUNGER, spring	1
506	15Y159	NUT, retainer	1
507	257579	TRIGGER, safety, gun	1
508	295671	SCREW, mounting, trigger	1
509	295438	NUT, stop, elastic, 5-40	1
510	15Y160	ISOLATOR, handle (Model 257510 only)	1
511	122706	WASHER, flat, #10, ms, 1/2od, 0.49 thick (Model 257510 only)	2
512	105210	SCREW, 10-32 x 1 shcs (matrix) (Model 257510 only)	2

Pour Handle Models 257594, 257596



Ref.	Part	Description	Qty
601	295438	NUT, stop, elastic, 5-40	1
602	122746	SCREW, shc, 10-32x.375, ms, nyloc	4
603	257595	CONTROL, circular connector/led (assembly 257594 only)	1
	257597	CONTROL, star-shaped connector/led (assembly 257596 only)	1
604	295671	SCREW, mounting, trigger	1
605	15Y276	CLIP, expander, female	1
606	257593	CHOCK, male expander, w/pin	1
607	122747	SCREW, shc, 110-32x0.75, ms	1
608	15Y277	TRIGGER, pour gun	1
609	15Y278	MODULE, pour handle mount, w/holes	1
610	15Y280	FLANGE	1

Optional Shutoff Valve Kit



24L498 Shown

Apply items 8 and 9 as required

ti18187a

Ref.	Part	Description	Quantity	
			24L498, KIT, valve shutoff, GX-16	24M596, KIT, valve shutoff, GX-16, NVH
701	---	VALVE, ball, 2 way, 1/4 NPT, female	4	4
702	---	ADAPTER, 1/2-20 JIC x 1/4 NPT		2
	---	ADAPTER, JIC08x1/4, MS	2	
703	---	ADAPTER, JIC06x1/4, SS	2	2
704	---	ADAPTER, JIC06x1/4 NPT, MS	1	
	---	ADAPTER, swivel, JIC05x1/4 NPT, MS		1
705	---	ADAPTER, swivel, JIC06x1/4 NPT, MS	1	
	---	ADAPTER, swivel, JIC05x1/4 NPT, MS		1
706	---	ADAPTER, JIC05x1/4 NPT, SS	1	
	---	ADAPTER, swivel, JIC06x1/4 NPT, MS		1
707	---	ADAPTER, swivel, 1/4 NPTxJIC05, SS	1	
	---	ADAPTER, swivel, JIC06x1/4 NPT, MS		1
708	---	TAPE, TFE, sealant	1	1
709	---	SEALANT, pipe, SST	1	1

Accessories

Description	Part
Hose Kit	24C999
Gun Cover, straight fittings	123694
Gun Cover, 90 deg. fittings	124226
Hose Cover, 12 ft	123698
Right Fitting Adapter Kit	24K672
Left Fitting Adapter Kit	24K674
Grease Fitting Flush Kit	24T326

Technical Data

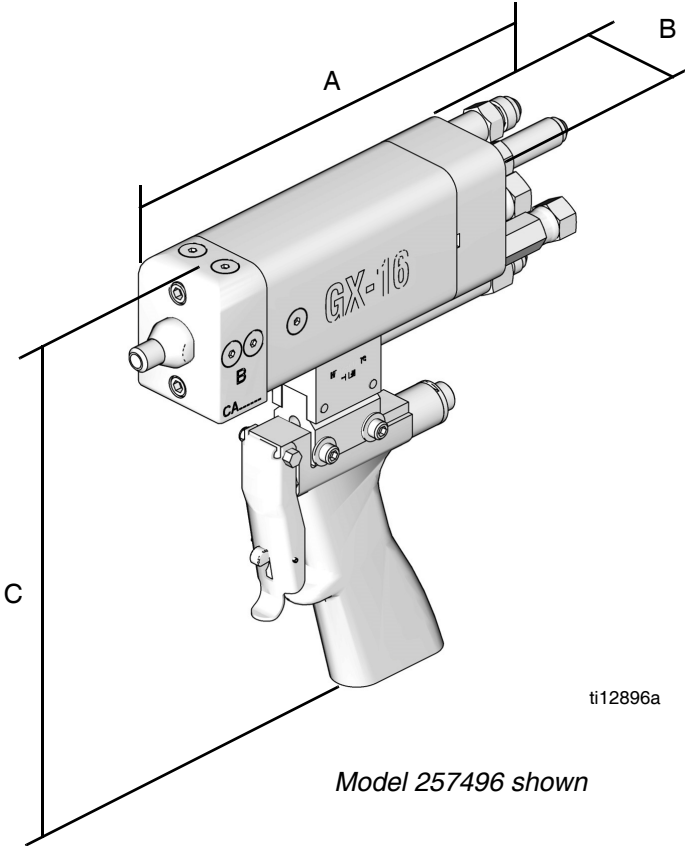
Maximum Fluid Working Pressure	3000 psi (21 MPa, 207 bar)
Maximum Hydraulic Working Pressure	2500 psi (17 MPa, 172 bar)
Maximum Fluid Temperature	180°F (82°C)
Fitting Sizes	See Gun Connections section on page 10
Max Sound Power Level	68.5 dB
Wetted Parts	Aluminum, stainless steel, carbon steel, disogrin (urethane), Rulon, EPDM, fluoroelastomer, PTFE
Flow Rate, lb/min (kg/min)	4.6 to 40 (2 to 18)

Weight

Model	Weight*, lb (kg)
257492, 257493, 257494, 257495	8.1 (3.7)
257497, 257502, 257503, 257504, 24E877, 24E878, 24K233, 24K234 (no hoses)	5.0 (2.3)
257496, 257507	5.2 (2.4)
257505, 257506	5.1 (2.3)
257498, 257499, 24J187, 24E876	4.6 (2.1)

* *Weights are approximate.*

Dimensions



Model	Dimension		
	A	B	C
257492, 257493, 257494, 257495	15.1 (383)	9.6 (244)	7.9 (201)
257497, 257502, 257503, 257504, 24E877, 24E878, 24K233, 24K234 (no hoses)	10.3 (262)	3.6 (91)	3.7 (94)
257496, 257507	9.3 (236)	3.0 (76)	8.9 (226)
257505, 257506	9.3 (236)	3.0 (76)	8.1 (206)
257498, 257499, 24J187, 24E876	9.3 (236)	2.8 (71)	3.7 (94)

Graco Standard Warranty

Graco warrants all equipment referenced in this document which is manufactured by Graco and bearing its name to be free from defects in material and workmanship on the date of sale to the original purchaser for use. With the exception of any special, extended, or limited warranty published by Graco, Graco will, for a period of twelve months from the date of sale, repair or replace any part of the equipment determined by Graco to be defective. This warranty applies only when the equipment is installed, operated and maintained in accordance with Graco's written recommendations.

This warranty does not cover, and Graco shall not be liable for general wear and tear, or any malfunction, damage or wear caused by faulty installation, misapplication, abrasion, corrosion, inadequate or improper maintenance, negligence, accident, tampering, or substitution of non-Graco component parts. Nor shall Graco be liable for malfunction, damage or wear caused by the incompatibility of Graco equipment with structures, accessories, equipment or materials not supplied by Graco, or the improper design, manufacture, installation, operation or maintenance of structures, accessories, equipment or materials not supplied by Graco.

This warranty is conditioned upon the prepaid return of the equipment claimed to be defective to an authorized Graco distributor for verification of the claimed defect. If the claimed defect is verified, Graco will repair or replace free of charge any defective parts. The equipment will be returned to the original purchaser transportation prepaid. If inspection of the equipment does not disclose any defect in material or workmanship, repairs will be made at a reasonable charge, which charges may include the costs of parts, labor, and transportation.

THIS WARRANTY IS EXCLUSIVE, AND IS IN LIEU OF ANY OTHER WARRANTIES, EXPRESS OR IMPLIED, INCLUDING BUT NOT LIMITED TO WARRANTY OF MERCHANTABILITY OR WARRANTY OF FITNESS FOR A PARTICULAR PURPOSE.

Graco's sole obligation and buyer's sole remedy for any breach of warranty shall be as set forth above. The buyer agrees that no other remedy (including, but not limited to, incidental or consequential damages for lost profits, lost sales, injury to person or property, or any other incidental or consequential loss) shall be available. Any action for breach of warranty must be brought within two (2) years of the date of sale.

GRACO MAKES NO WARRANTY, AND DISCLAIMS ALL IMPLIED WARRANTIES OF MERCHANTABILITY AND FITNESS FOR A PARTICULAR PURPOSE, IN CONNECTION WITH ACCESSORIES, EQUIPMENT, MATERIALS OR COMPONENTS SOLD BUT NOT MANUFACTURED BY GRACO. These items sold, but not manufactured by Graco (such as electric motors, switches, hose, etc.), are subject to the warranty, if any, of their manufacturer. Graco will provide purchaser with reasonable assistance in making any claim for breach of these warranties.

In no event will Graco be liable for indirect, incidental, special or consequential damages resulting from Graco supplying equipment hereunder, or the furnishing, performance, or use of any products or other goods sold hereto, whether due to a breach of contract, breach of warranty, the negligence of Graco, or otherwise.

FOR GRACO CANADA CUSTOMERS

The Parties acknowledge that they have required that the present document, as well as all documents, notices and legal proceedings entered into, given or instituted pursuant hereto or relating directly or indirectly hereto, be drawn up in English. Les parties reconnaissent avoir convenu que la rédaction du présente document sera en Anglais, ainsi que tous documents, avis et procédures judiciaires exécutés, donnés ou intentés, à la suite de ou en rapport, directement ou indirectement, avec les procédures concernées.

Graco Information

Sealant and Adhesive Dispensing Equipment

For the latest information about Graco products, visit www.graco.com.

For patent information, see www.graco.com/patents.

TO PLACE AN ORDER, contact your Graco distributor, go to www.graco.com and select "Where to Buy" in the top blue bar, or call to find the nearest distributor.

If calling from the US: 800-746-1334

If calling from outside the US: 0-1-330-966-3000

All written and visual data contained in this document reflects the latest product information available at the time of publication. Graco reserves the right to make changes at any time without notice.

Original instructions. This manual contains English. MM 313536

Graco Headquarters: Minneapolis
International Offices: Belgium, China, Japan, Korea

GRACO INC. AND SUBSIDIARIES • P.O. BOX 1441 • MINNEAPOLIS MN 55440-1441 • USA

Copyright 2010, Graco Inc. All Graco manufacturing locations are registered to ISO 9001.

www.graco.com

Revision P, January 2017