

InvisiPac™ Transformer Upgrade Kit

333349C

EN

To operate 240V InvisiPac units with a three-phase 400V or 480V electrical supply.
For professional use only. Not approved in explosive atmospheres or hazardous locations.

127567

400V Transformer Upgrade Kit

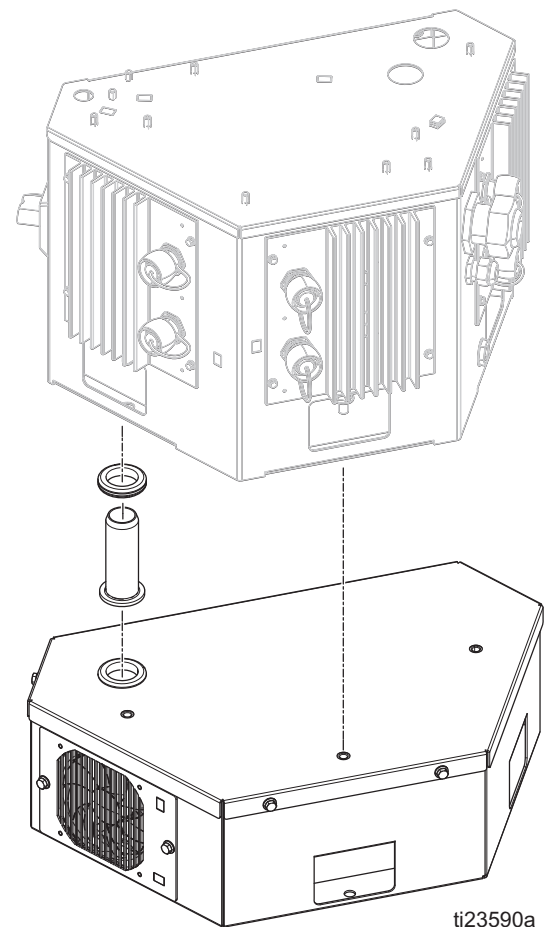
127568

480V Transformer Upgrade Kit





Important Safety Instructions

Read all warnings and instructions in this manual and in the InvisiPac system manual 333347. Save all instructions.



ti23590a

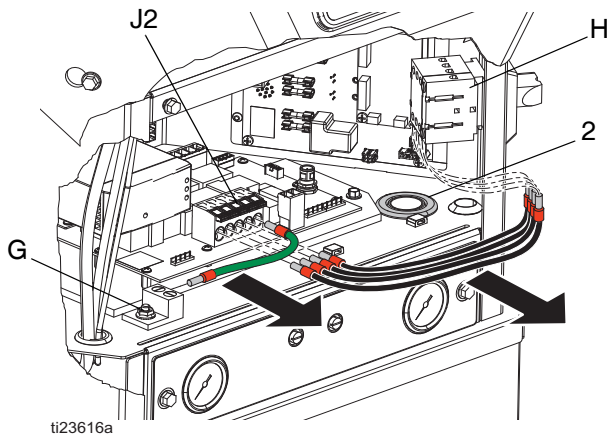
Installation

| | | | | | | |
|---|---|--|--|--|--|--|
|  |  | | | | | |
| <p>All electrical wiring must be done by a qualified electrician and comply with all local codes and regulations.</p> | | | | | | |

This transformer must be installed by a qualified electrician to operate 240V InvisiPac units with a three-phase 480V electrical supply.

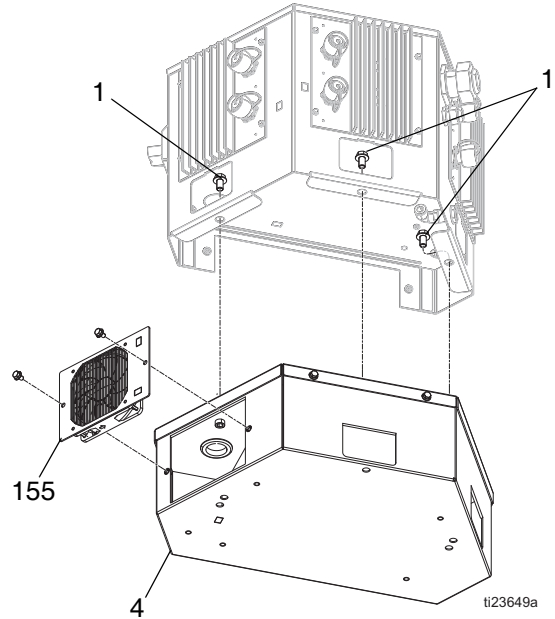
NOTE: Installing the transformer kit changes the model of the InvisiPac system. Refer to the InvisiPac system manual 333347 for model information.

1. Turn main power switch OFF.
2. Remove front access panel from electrical enclosure.
3. Remove cables from J2 on AWB board to main power switch (H) and main enclosure ground (G).

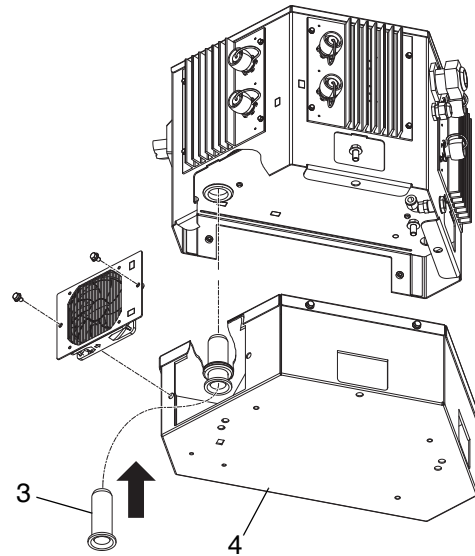


4. Remove the knockout hole below main power switch (H).
5. Insert grommet (2) in knockout hole.

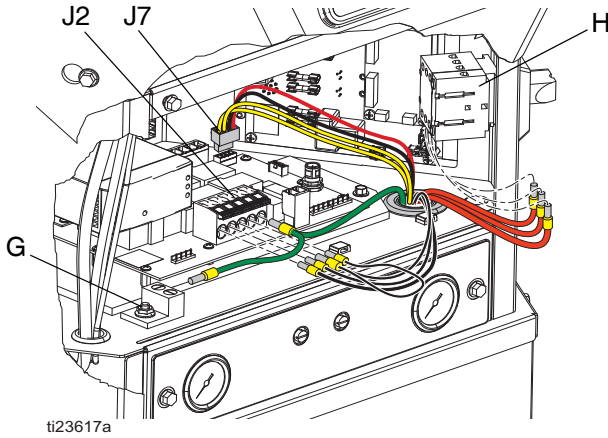
6. Mount main electrical enclosure onto transformer enclosure (4) and tighten screws (1).



7. Remove fan panel (155) on transformer enclosure (4).
8. Insert plastic cable bushing (3) through grommet in the top of the transformer enclosure (4) into the bottom of the main electrical enclosure.



9. Run wires/cabling from transformer enclosure (4) through plastic cable bushing (3) into main electrical enclosure.
10. Connect fan connector from transformer enclosure into J7 on AWB.



11. Connect black wires from transformer enclosure (4) to J2 on AWB board according to the table below:

| AWB Terminal | Wire Label |
|--------------|------------|
| W1 | AWB-W1 |
| W2 | AWB-W2 |
| W3 | AWB-W3 |
| W4 | AWB-W4 |

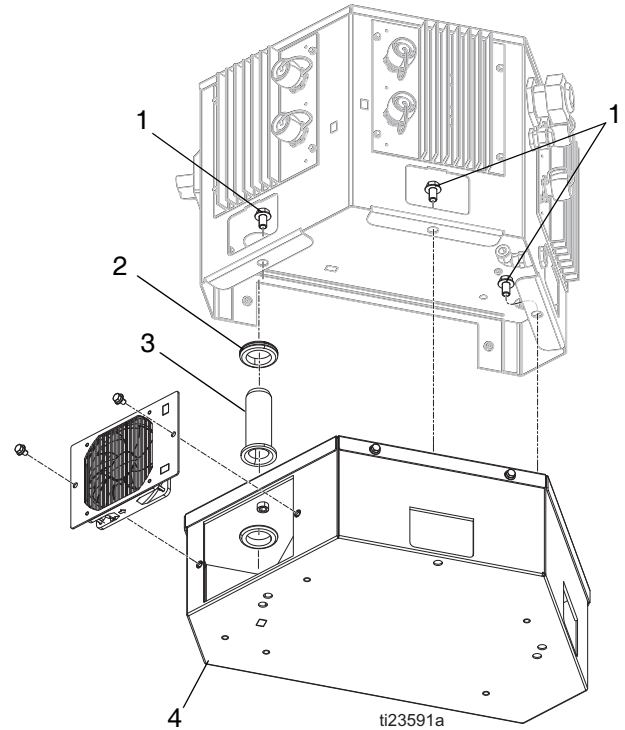
12. Connect ground wire from the transformer enclosure (4) into GND on J2 of AWB and main enclosure ground (G).
13. Connect red wires from transformer enclosure (4) to main power switch (H) according to the following table:

| Main Power Switch Terminal | Wire Label |
|----------------------------|------------|
| 4T2 | P1 |
| 6T3 | P2 |
| N | P3 |

14. Re-attach fan panel (155) to transformer enclosure (4).
15. Replace front access panel on electrical enclosure.

Parts

400V Transformer Upgrade, 127567 480V Transformer Upgrade, 127568



| Ref. | Part | Description | Qty. |
|------|--------|------------------------|------|
| 1 | 113802 | SCREW, hex hd, flanged | 3 |
| 2 | 16C252 | GROMMET, air fitting | 1 |
| 3 | 16X916 | BUSHING, cable | 1 |
| 4 | | TRANSFORMER, assembly | 1 |
| | 24V015 | 480V (Kit 127568) | |
| | 24V018 | 400V (Kit 127567) | |

Graco Standard Warranty

Graco warrants all equipment referenced in this document which is manufactured by Graco and bearing its name to be free from defects in material and workmanship on the date of sale to the original purchaser for use. With the exception of any special, extended, or limited warranty published by Graco, Graco will, for a period of twelve months from the date of sale, repair or replace any part of the equipment determined by Graco to be defective. This warranty applies only when the equipment is installed, operated and maintained in accordance with Graco's written recommendations.

This warranty does not cover, and Graco shall not be liable for general wear and tear, or any malfunction, damage or wear caused by faulty installation, misapplication, abrasion, corrosion, inadequate or improper maintenance, negligence, accident, tampering, or substitution of non-Graco component parts. Nor shall Graco be liable for malfunction, damage or wear caused by the incompatibility of Graco equipment with structures, accessories, equipment or materials not supplied by Graco, or the improper design, manufacture, installation, operation or maintenance of structures, accessories, equipment or materials not supplied by Graco.

This warranty is conditioned upon the prepaid return of the equipment claimed to be defective to an authorized Graco distributor for verification of the claimed defect. If the claimed defect is verified, Graco will repair or replace free of charge any defective parts. The equipment will be returned to the original purchaser transportation prepaid. If inspection of the equipment does not disclose any defect in material or workmanship, repairs will be made at a reasonable charge, which charges may include the costs of parts, labor, and transportation.

THIS WARRANTY IS EXCLUSIVE, AND IS IN LIEU OF ANY OTHER WARRANTIES, EXPRESS OR IMPLIED, INCLUDING BUT NOT LIMITED TO WARRANTY OF MERCHANTABILITY OR WARRANTY OF FITNESS FOR A PARTICULAR PURPOSE.

Graco's sole obligation and buyer's sole remedy for any breach of warranty shall be as set forth above. The buyer agrees that no other remedy (including, but not limited to, incidental or consequential damages for lost profits, lost sales, injury to person or property, or any other incidental or consequential loss) shall be available. Any action for breach of warranty must be brought within two (2) years of the date of sale.

GRACO MAKES NO WARRANTY, AND DISCLAIMS ALL IMPLIED WARRANTIES OF MERCHANTABILITY AND FITNESS FOR A PARTICULAR PURPOSE, IN CONNECTION WITH ACCESSORIES, EQUIPMENT, MATERIALS OR COMPONENTS SOLD BUT NOT MANUFACTURED BY GRACO. These items sold, but not manufactured by Graco (such as electric motors, switches, hose, etc.), are subject to the warranty, if any, of their manufacturer. Graco will provide purchaser with reasonable assistance in making any claim for breach of these warranties.

In no event will Graco be liable for indirect, incidental, special or consequential damages resulting from Graco supplying equipment hereunder, or the furnishing, performance, or use of any products or other goods sold hereto, whether due to a breach of contract, breach of warranty, the negligence of Graco, or otherwise.

FOR GRACO CANADA CUSTOMERS

The Parties acknowledge that they have required that the present document, as well as all documents, notices and legal proceedings entered into, given or instituted pursuant hereto or relating directly or indirectly hereto, be drawn up in English. Les parties reconnaissent avoir convenu que la rédaction du présente document sera en Anglais, ainsi que tous documents, avis et procédures judiciaires exécutés, donnés ou intentés, à la suite de ou en rapport, directement ou indirectement, avec les procédures concernées.

Graco Information

Sealant and Adhesive Dispensing Equipment

For the latest information about Graco products, visit www.graco.com.

For patent information, see www.graco.com/patents.

TO PLACE AN ORDER, contact your Graco distributor, go to www.graco.com and select "Where to Buy" in the top blue bar, or call to find the nearest distributor.

If calling from the US: 800-746-1334

If calling from outside the US: 0-1-330-966-3000

All written and visual data contained in this document reflects the latest product information available at the time of publication. Graco reserves the right to make changes at any time without notice.

Original instructions. This manual contains English. MM 333349

Graco Headquarters: Minneapolis

International Offices: Belgium, China, Japan, Korea

GRACO INC. AND SUBSIDIARIES • P.O. BOX 1441 • MINNEAPOLIS MN 55440-1441 • USA

Copyright 2014, Graco Inc. All Graco manufacturing locations are registered to ISO 9001.

www.graco.com

Revision C, January 2017