

15V950 Floor Stand

313290A

Floor stand for use with ProMix® 2KS Wall Mount Fluid Stations

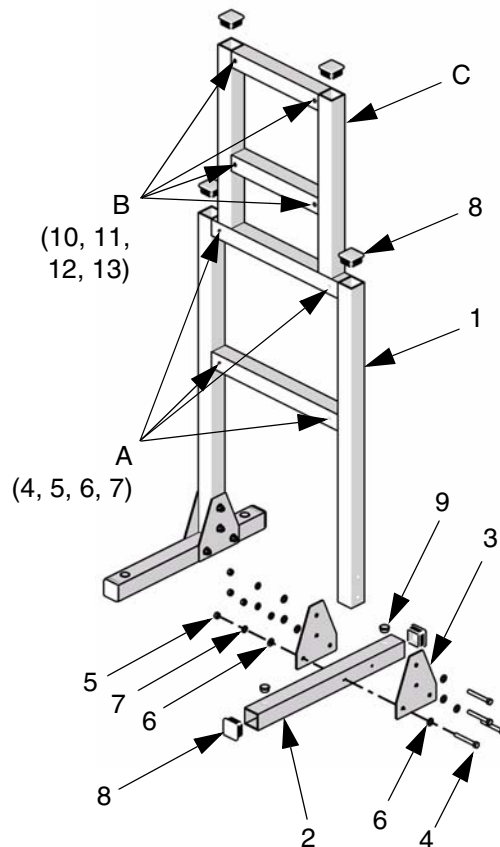


Important Safety Instructions

Read all warnings and instructions in your ProMix 2KS installation, operation, and repair manuals. Save these instructions.

Parts

Ref	Description	Qty.
1	FRAME	1
2	LEG	2
3	GUSSET	4
4	SCREW, cap, hex-hd; 3/8-16 x 3 in. (76 mm)	12
5	NUT, hex; 3/8-16	12
6	WASHER; 3/8	24
7	WASHER, lock; no. 10	12
8	PLUG, tube, square	8
9	PLUG, tube	4
10	SCREW, machine, hex washer hd; 1/4-20 x 3 in. (76 mm)	4
11	NUT, hex; 1/4-20	4
12	WASHER; 1/4	8
13	WASHER, lock; 1/4	4



T112790a

FIG. 1: Floor Stand

Assembly

1. Assemble legs (2) and gussets (3) to frame (1) using 3/8-16 screws (4), washers (6, 7), and nuts (5) as shown. See FIG. 1.
2. Secure stand to the floor, using 1/2 in. bolts (not provided) that are long enough to prevent the stand from tipping. See FIG. 2.
3. See FIG. 1. Attach fluid station panel in lower holes (A), using the remaining 3/8-16 screws (4), washers (6, 7), and nuts (5).
4. See FIG. 1. Use the 1/4-20 screws (10), washers (12, 13), and nuts (11) to attach the EasyKey™ in the upper holes (B) at the front of the stand.

NOTE: To attach a color change module, use the 1/4-20 tapped holes (C) at the back of the stand (mounting hardware not provided).

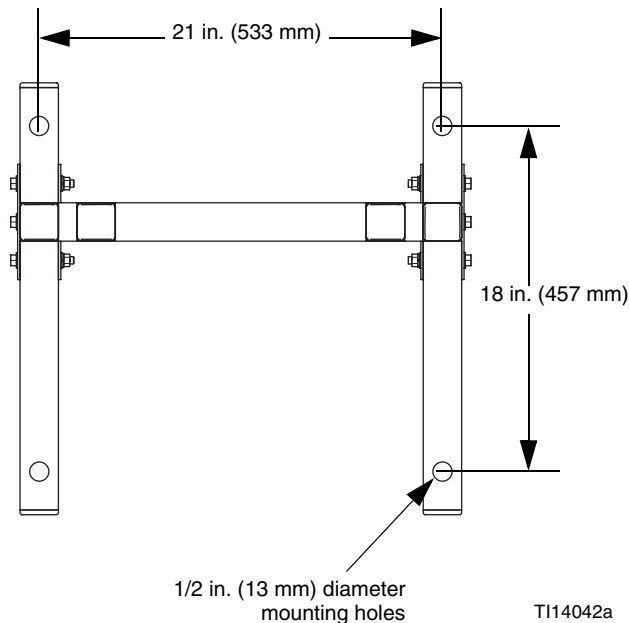


FIG. 2: Floor Stand Mounting Diagram

All written and visual data contained in this document reflects the latest product information available at the time of publication. Graco reserves the right to make changes at any time without notice.

This manual contains English. MM 313290

Graco Headquarters: Minneapolis
International Offices: Belgium, China, Japan, Korea

GRACO INC. P.O. BOX 1441 MINNEAPOLIS, MN 55440-1441

Copyright 2009, Graco Inc. is registered to ISO 9001

www.graco.com