

# Ultra<sup>®</sup> Max II Ultimate Mx II

311362S

EN

- For application of architectural paints and coatings. This manual covers every series -

**Korean patent 10-0579681**

3300 psi (228 bar, 22.8 MPa) Maximum Working Pressure

Ultra <sup>®</sup> Max II					
Vac	Model	Type	Lo-Boy	Hi-Boy	
<b>120V North America</b>  	695	Standard	255130	249642	
		Premium	255131	249644	
	795	Standard	255132	249646	
		Premium	255133	249648	
	1095	Standard		249651	
		Premium		249653	
	1595	Standard		253060	
		Premium		253059	
	Mark V			249904†	
	<b>120V North America</b>	1595	Standard		249658**†
Premium				249659**†	
Mark V				249903**†	
Ultimate Mx II					
Vac	Model	Type	Lo-Boy	Hi-Boy	
<b>120V Sherwin Williams</b>  	695	Standard	826093	826067	
		Premium	826094	826069	
	795	Standard		826071	
		Premium		826072	
	1095	Standard		826073	
		Premium		826074	
	1595	Standard		826082	
		Premium		826081	
	<b>120V Sherwin Williams</b>	1595	Standard		826075
			Premium		826076

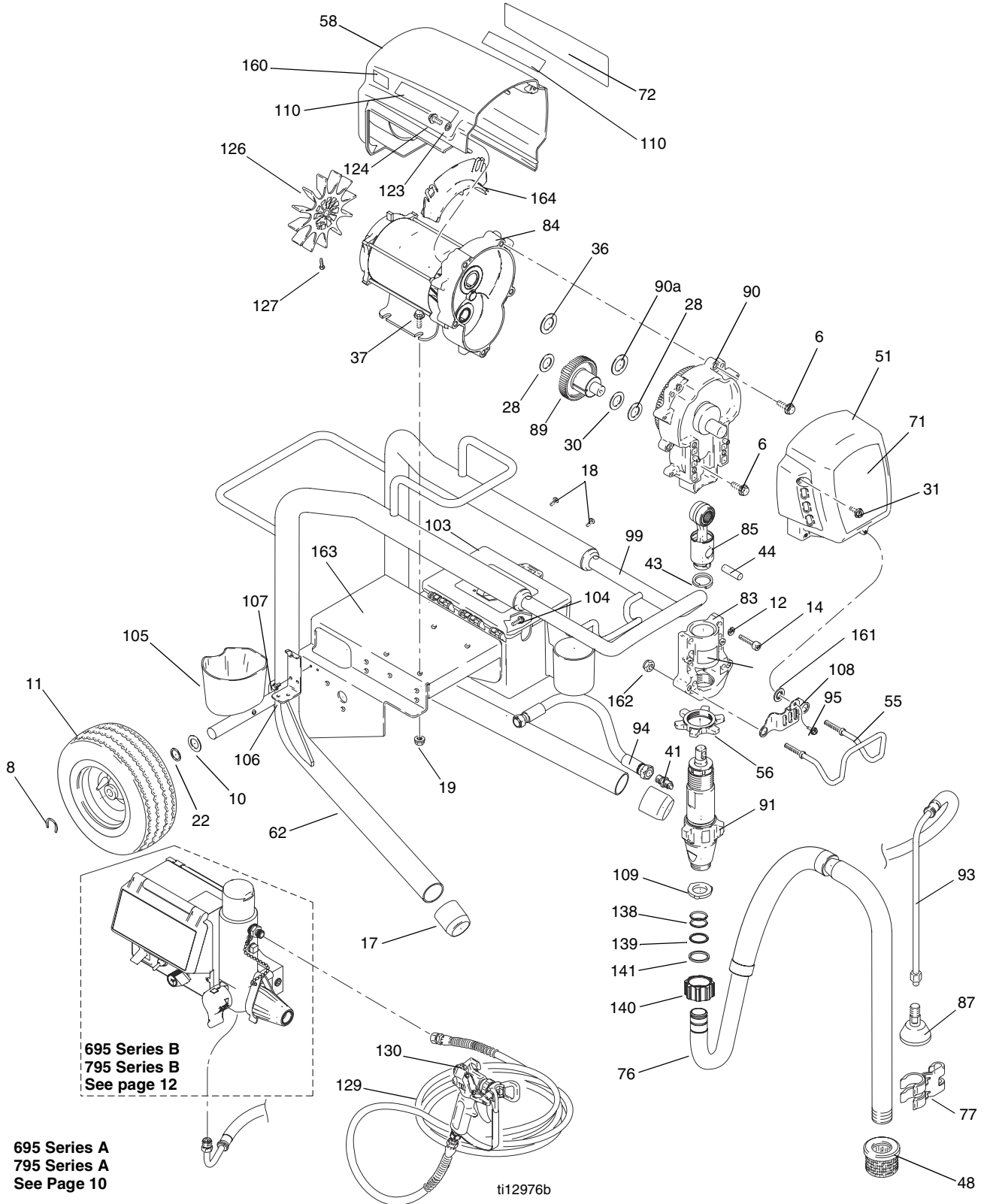
\*\*Not ETL Approved.

All models not available in all countries.

# Parts Drawing - Lo-Boy Sprayer

UltraMax II 695 & 795: 255130, 255131, 255132, 255133

Ultimate Mx II 695: 826093, 826094



# Parts List - Lo-Boy Sprayer

UltraMax II 695 & 795: 255130, 255131, 255132, 255133

Ultimate Mx II 695: 826093, 826094

Ref	Part	Description	Qty	Ref	Part	Description	Qty
6	15C753	SCREW, mach, torx, hex	5	87	241920	DEFLECTOR, threaded	1
8	15E891	CLIP, retaining	2	89	287289	GEAR, combination; <i>includes 28, 30</i>	1
10	156306	WASHER, flat	2				
11*	119420	WHEEL, pneumatic	2	90		HOUSING, drive, M1; <i>includes 6, 36, 90a</i>	1
12	106115	WASH, lock, spring	4				
14	107210	SCREW, cap, socket hd	4		287283	695	
17	15C871	CAP, leg	2		287284	795	
18	109032	SCREW, mach, pnh	4	90a	107089	WASHER, race, thrust	1
19	112746	NUT, hex, flanged	8	91	248204	PUMP, displacement 695/795; <i>includes 109</i>	1
22	116038	WASHER, wave spring	2				
28	114672	WASHER, thrust	2	93	248217	HOSE, drain; <i>includes 87</i>	1
30	114699	WASHER, thrust	1	94	15D049	HOSE, coupled, 1/4 x 15.75	1
31	118444	SCREW, machine, hex washer hd	4	95	114000	SCREW, control housing	1
36	116191	WASHER, thrust	1	99	288448	HANDLE, cart	1
37	100057	SCREW, cap, hex hd	4	103	287253	TOOL BOX; <i>includes 104</i>	1
41	162453	FITTING, (1/4 NPSM x 1/4 NPT)	1	104	118852	SCREW, machine, hex washer	3
43	176817	SPRING, retaining	1	105	276975	CUP, drain	1
44	176818	PIN, str, hdls	1	106	15F952	BRACKET, drain cup	1
48	189920	STRAINER, (1-11 1/2 NPSM)	1	107	114423	SCREW, mach, hex hd	2
51	287291	COVER, drive, plastic, painted; <i>includes 31, 95</i>	1	108	15C859	SHIELD, pump rod	1
				109	115099	WASHER, garden hose	1
55	16C457	HANGER, pail	1	110	16D585	LABEL, Ultra Premium, sides	2
56	192723	NUT, retaining	1	117	187436	LABEL, torque	1
58	287281	695 SHIELD, motor, painted; <i>includes 31</i>	1	123	276980	GROMMET, cover	2
				124	119250	SCREW, shoulder, hex washer	2
	287282	795 SHIELD, motor, painted; <i>includes 31</i>	1	126	15D088	FAN, motor	1
				127	115477	SCREW, mach, torx, pan hd	1
62	288898	FRAME, cart	1	128▲	222385	TAG, WARNING (not shown)	1
71		LABEL	1	129		HOSE, cpld, 1/4 in. x 50 ft	1
	15K374	Ultra 695			240794	Ultra	
	15D068	Ultra 795			826079	Ultimate	
	824995	Ultimate 695		130	288422	GUN, contractor Manual 311861	1
72		LABEL	1	138	117559	O-RING	2
	15K381	Ultra 695		139	118505	RING, retaining, external	1
	15D069	Ultra 795		140	15C980	NUT, jam	1
	824996	Ultimate 695		141	15C981	WASHER, suction swivel	1
76	248216	HOSE, suction; <i>includes 109, 138, 134, 140, 141</i>	1	160	15Y118	LABEL, Made in USA	1
77	15D000	CLIP, drain line	1	161	124172	WASHER, retaining, nylon, 10-32	1
83	240523	HOUSING, bearing; <i>includes 162, 55</i>	1	162	112746	NUT, hex	2
84		MOTOR, electric; <i>includes 126, 127</i>	1	163	288899	SHELF, PEM assembly	1
	287197	695 Series A		164	278075	BAFFLE	1
	257185	695 Series B					
	287198	795 Series A					
	257186	795 Series B					
85	241008	ROD, connecting; <i>includes 43</i>	1				

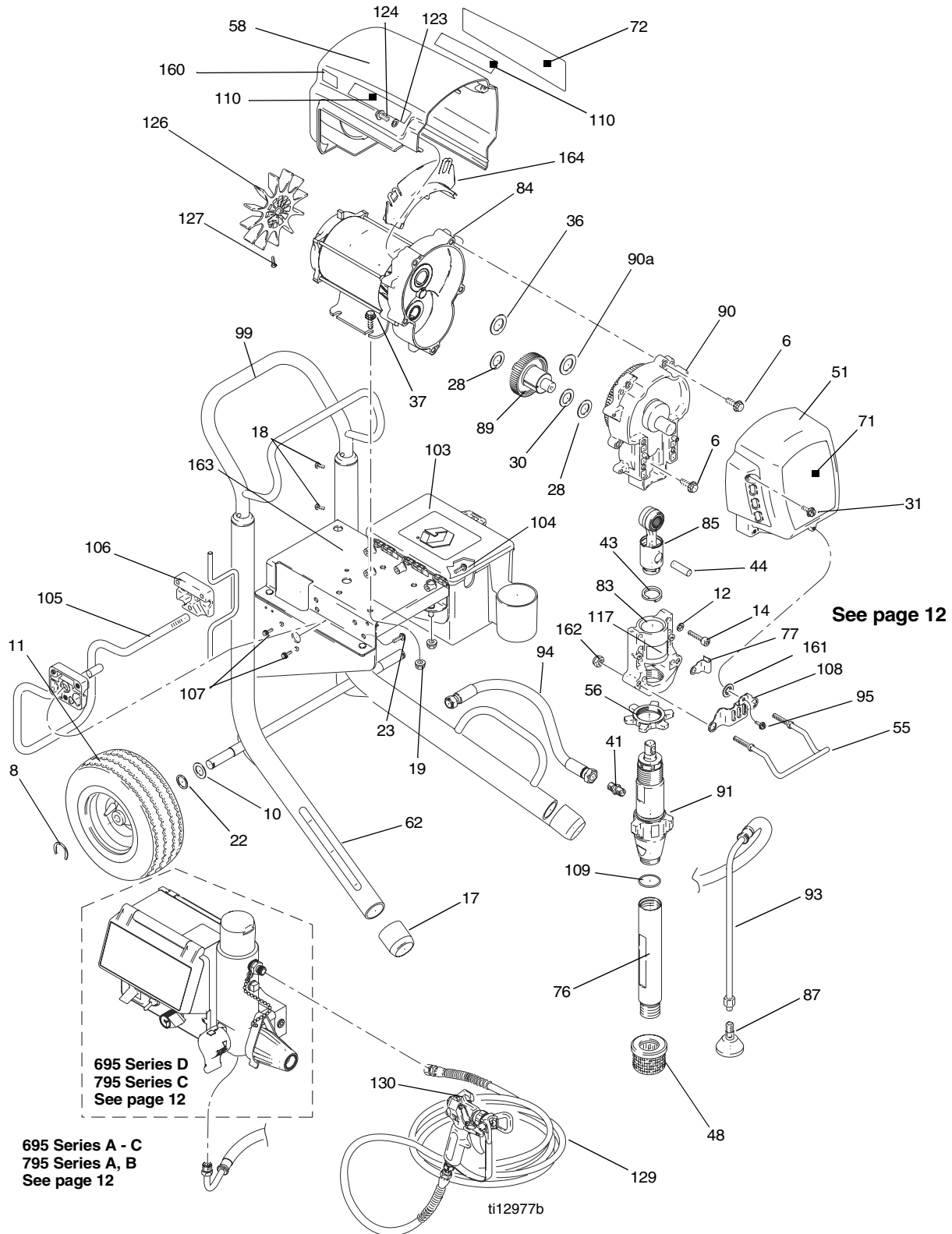
\* 253132 KIT, repair, tube, 11 in.

▲ Extra Danger & Warning tags & labels available free.

# Parts Drawing - Hi-Boy Sprayer

UltraMax II 695 & 795: 249642, 249644, 249646, 249648

Ultimate Mx II 695 & 795: 826067, 826069, 826071, 826072



# Parts List - Hi-Boy Sprayer

**UltraMax II 695 & 795:** 249642, 249644, 249646, 249648

**Ultimate Mx II 695 & 795:** 826067, 826069, 826071, 826072

Ref No.	Part No.	Description	Qty	Ref No.	Part No.	Description	Qty
6	15C753	SCREW, mach, torx, hex	5		287198	795 Series A, B	
8	15E891	CLIP, retaining	2		257186	795 Series C	
10	156306	WASHER, flat	2	85	241008	ROD, connecting; <i>includes 43</i>	1
11*	119420	WHEEL, pneumatic	2	87	241920	DEFLECTOR, threaded	1
12	106115	WASH, lock, spring	4	89	287289	GEAR, combination;	1
14	107210	SCREW, cap, socket hd	4			includes 28, 30	
17	15C871	CAP, leg	2	90		HOUSING, drive, M1;	1
18	109032	SCREW, mach, pnh	4			includes 6, 36, 90a	
19	112746	NUT, hex, flanged	8		287283	695	
22	116038	WASHER, wave spring	2		287284	795	
23	110963	SCREW, cap, flng hd	2	90a	107089	WASHER, race, thrust	1
28	114672	WASHER, thrust	2	91	248204	PUMP, displacement; <i>includes 109</i>	1
30	114699	WASHER, thrust	1	93	244240	HOSE, coupled; <i>includes 87</i>	1
31	118444	SCREW, machine, hex washer hd	4	94	15D049	HOSE, coupled, 1/4 x 15.75	1
36	116191	WASHER, thrust	1	95	114000	SCREW, control housing	1
37	100057	SCREW, cap, hex hd	4	99	245245	HANDLE, cart	1
41	162453	FITTING, (1/4 NPSM x 1/4 NPT)	1	103	287253	TOOLBOX, <i>includes 104</i>	1
43	176817	SPRING, retaining	1	104	118852	SCREW, hex washer hd	3
44	176818	PIN, str, hdls	1	105	15D281	HANGER, stand, cart	1
48	189920	STRAINER, (1-11 1/2 NPSM)	1	106	15C982	CAM, cart	2
51	287291	COVER, drive, plastic, painted;	1	107	114531	SCREW, mach, hex washer	4
		<i>includes 31, 95</i>		108	15C859	SHIELD, pump rod	1
55	16C457	HANGER, pail	1	109	118494	PACKING, o-ring	1
56	192723	NUT, retaining	1	110	16D585	LABEL, Ultra Premium, sides	2
58		SHIELD, motor, painted; <i>includes 31</i>	1	117	187436	LABEL, torque	1
	287281	695		123	276980	GROMMET, cover	2
	287282	795		124	119250	SCREW, shoulder, hex, washer	2
62	288605	FRAME, cart	1	126	15D088	FAN, motor	1
71		LABEL	1	127	115477	SCREW, mach, torx, pan, hd	1
	15K374	Ultra 695		128▲	222385	TAG, WARNING (not shown)	1
	15D068	Ultra 795		129		HOSE, cpld, 1/4 in. x 50 ft	1
	824995	Ultimate 695			240794	Ultra	
	824998	Ultimate 795			826079	Ultimate	
72		LABEL	1	130	288420	GUN, contractor	1
	15K381	Ultra 695				Manual 311861	
	15D069	Ultra 795		160	15Y118	LABEL, Made in USA	1
	824996	Ultimate 695		161	124172	WASHER, retaining, nylon, 10-32	1
	824999	Ultimate 795		162	112746	NUT, hex	2
76	248214	TUBE, intake; <i>includes 109</i>	1	163	288899	SHELF, PEM assembly	1
77	278204	CLIP, spring	1	164	278075	BAFFLE	1
83	240523	HOUSING, bearing; includes 55, 162	1				
84		MOTOR, electric	1				
	287197	695 Series A - C					
	257185	695 Series D					

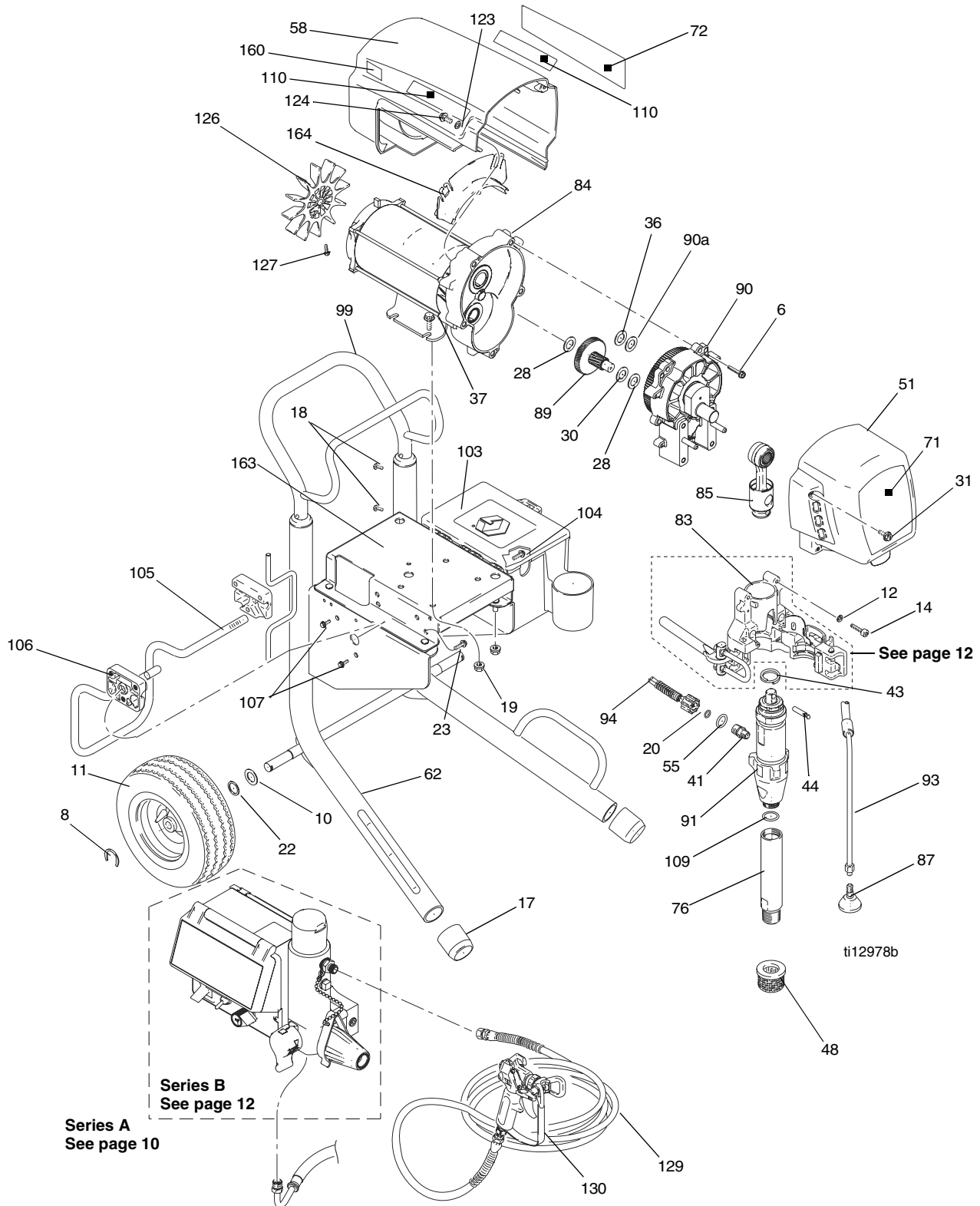
▲ *Extra Danger and Warning tags and labels available free.*

\* *253132 KIT, repair, tube*

# Parts Drawing - Hi-Boy Sprayer

UltraMax II 1095 & 1595: 249651, 249653, 253060, 253059, 249658, 249659

Ultimate Mx II 1095 & 1595: 826073, 826074, 826082, 826081, 826075, 826076



# Parts List - Hi-Boy Sprayer

**UltraMax II 1095 & 1595:** 249651, 249653, 253060, 253059, 249658, 249659

**Ultimate Mx II 1095 & 1595:** 826073, 826074, 826082, 826081, 826075, 826076

Ref No.	Part No.	Description	Qty	Ref No.	Part No.	Description	Qty
6	15C753	SCREW, mach, torx, hex	5	85	287472	ROD, connecting; <i>includes 43, 44</i>	1
8	15E891	CLIP, retaining	2	87	241920	DEFLECTOR, threaded	1
10	156306	WASHER, flat	2	89	287290	GEAR, combination;	1
11*	119509	WHEEL, pneumatic	2			<i>includes 28, 30</i>	
12	106115	WASH, lock, spring	4	90		HOUSING, drive, M1;	1
14	114666	SCREW, cap, socket hd	4			<i>includes 6, 36, 90a</i>	
17	276974	CAP, leg	2		287294	1095	
18	108795	SCREW, mach, pnh	4		287295	1595	
19	110838	NUT, hex, flanged	8	90a	107089	WASHER, race, thrust	1
20	111457	O-RING	1	91	287513	PUMP, displacement;	1
22	116038	WASHER, wave spring	2			<i>includes 41, 76, 109</i>	
23	110963	SCREW, cap, flng hd	2	93	287952	HOSE, drain; <i>includes 87</i>	1
28	114672	WASHER, thrust	2	94	288658	HOSE, coupled	1
30	114699	WASHER, thrust	1	99	245245	HANDLE, cart	1
31	118444	SCREW, machine, hex washer hd	4	103†	287253	TOOLBOX; <i>includes 104</i>	1
36	116192	WASHER, thrust	1	104†	118852	SCREW, hex washer hd	3
37	100057	SCREW, cap, hex hd	4	105	15C858	HANGER, stand, cart	1
41	15E802	FITTING, pump, quick disc	1	106	15C982	CAM, cart	2
43	119778	SPRING, retaining	1	107	114531	SCREW, mach, hex washer	4
44	15F110	PIN, pump	1	109	118494	PACKING, o-ring	1
48	189920	STRAINER, (1-11 1/2 NPSM)	1	110	16D585	LABEL, Ultra Premium, sides	2
51	287292	COVER, drive, plastic, painted;	1	123	276980	GROMMET, cover	2
		<i>includes 31</i>		124	119250	SCREW, shoulder, hex, washer	3
55	119790	PACKING, o-ring	1	126	15D088	FAN, motor	1
58	287282	SHIELD, motor, painted;	1	127	115477	SCREW, mach, torx, pan, hd	1
		<i>includes 31</i>		128▲	222385	TAG, WARNING (not shown)	1
62	288663	FRAME, cart 1095/1595	1	129		HOSE, cpld, 1/4 in. x 50 ft	1
71		LABEL, UltraMax	1		240794	Ultra	
	15D071	Ultra 1095			826079	Ultimate	
	15D074	Ultra 1595		130	288420	GUN, contractor	1
	825011	Ultimate 1095				Manual 311861	
	825014	Ultimate 1595		160	15Y118	LABEL, Made in USA	1
72		LABEL, UltraMax II 1095/1595	1	163	288899	SHELF, PEM assembly	1
	15D072	Ultra 1095		164	278075	BAFFLE	1
	15D075	Ultra 1595					
	825012	Ultimate 1095					
	825015	Ultimate 1595					
76	248215	TUBE, intake; <i>includes 109</i>	1				
83	287523	HOUSING, bearing	1				
84		MOTOR, electric;	1				
		<i>includes 126, 127</i>					
	287199	1095 Series A					
	257187	1095 Series B					
	287200	1595 Series A					
	257188	1595 Series B					

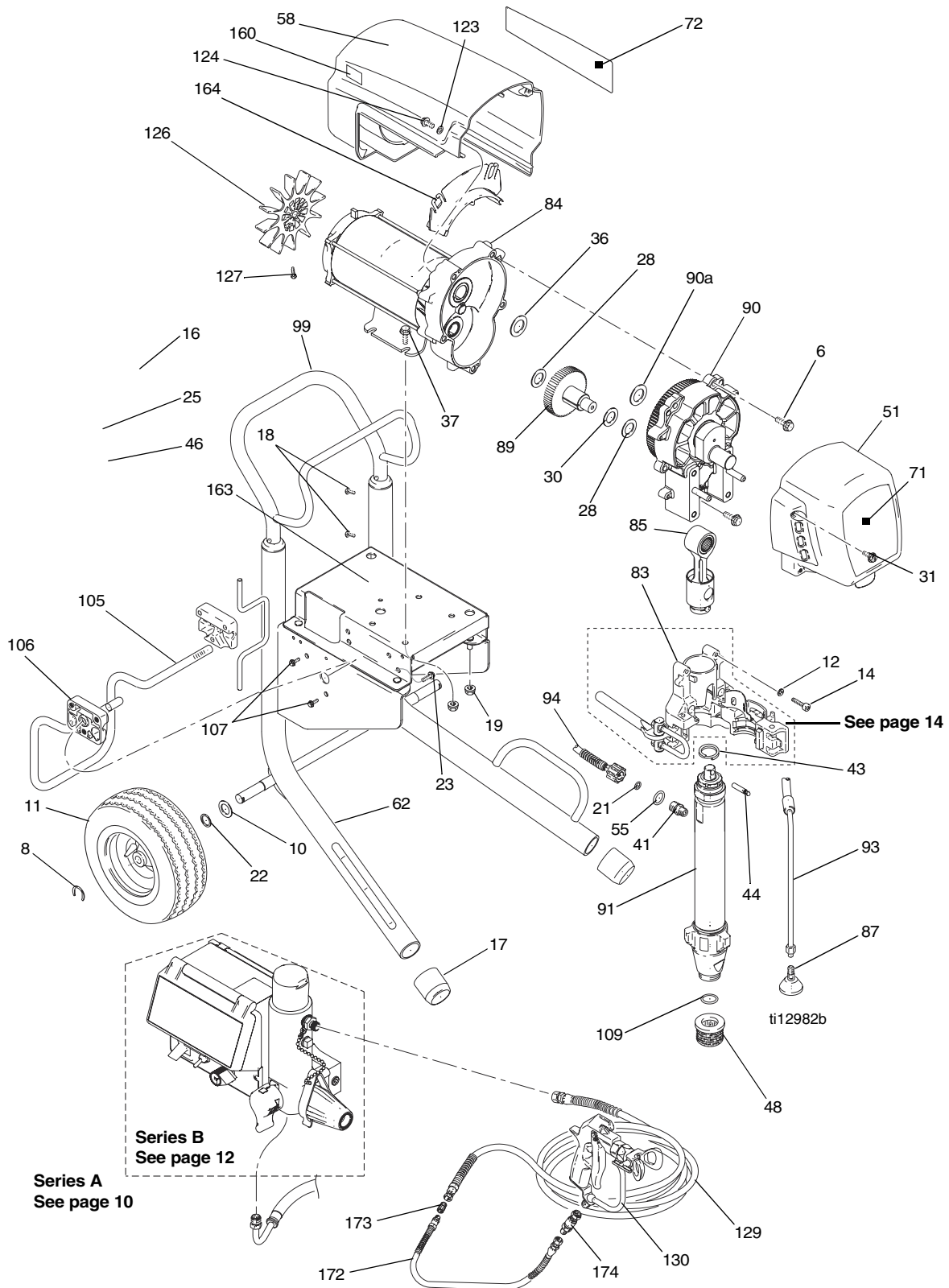
▲ *Extra Danger and Warning tags and labels available free.*

\* *253131 KIT, repair, tube*

† *Premium Sprayers*

# Parts Drawing - Hi-Boy Sprayer

UltraMax II Mark V: 249903, 249904





# Parts List - Hi-Boy Sprayer

## UltraMax II Mark V: 249903, 249904

Ref No.	Part No.	Description	Qty.	Ref No.	Part No.	Description	Qty.
6	15C753	SCREW, mach, torx, hex	5	89	287290	GEAR, combination; <i>includes 28, 30</i>	1
8	15E891	CLIP, retaining	2	90	287295	HOUSING, drive; <i>includes 6, 36, 90a</i>	1
10	156306	WASHER, flat	2	90a	107089	WASHER, race, thrust	1
11*	119509	WHEEL, pneumatic	2	91	287929	PUMP, displacement; <i>includes 41, 109</i>	1
12	106115	WASH, lock, spring	4	93	287952	HOSE, drain; <i>includes 87</i>	1
14	114666	SCREW, cap, socket hd	4	94	287792	HOSE, coupled	1
17	276974	CAP, leg	2	99	245245	HANDLE, cart	1
18	108795	SCREW, mach, pnh	4	105	15C858	HANGER, stand, cart	1
19	110838	NUT, hex, flanged	8	106	15C982	CAM, cart	2
21	109450	O-RING	1	107	114531	SCREW, mach, hex washer	4
22	116038	WASHER, wave spring	2	123	276980	GROMMET, cover	2
23	110963	SCREW, cap, flng hd	2	124	119250	SCREW, shoulder, hex, washer	3
28	114672	WASHER, thrust	2	126	15D088	FAN, motor	1
30	114699	WASHER, thrust	1	127	115477	SCREW, mach, torx, pan, hd	1
31	118444	SCREW, machine, hex washer hd	4	128▲	222385	TAG, WARNING (not shown)	1
36	116192	WASHER, thrust	1	129	240797	HOSE, cpld, 3/8 in. x 50 ft	1
37	100057	SCREW, cap, hex hd	4	130	241705	GUN, spray, texture	1
41	15G880	FITTING, pump, quick disc	1	160	15Y118	LABEL, Made in USA	1
43	119778	SPRING, retaining	1	163	288899	SHELF, PEM assembly	1
44	15F110	PIN, pump	1	164	278075	BAFFLE	1
48	189920	STRAINER, (1-11 1/2 NPSM)	1	172	241735	HOSE, cpld, 1/4 in. x 3 ft	1
51	287292	COVER, drive, plastic, painted	1	173	159841	ADAPTER, 1/4 npt (f) x 3/8 npt (m)	1
55	C20195	PACKING, o-ring	1	174	189018	SWIVEL, 1/4 npsm (f) x 1/4 npsm (m)	1
58	287282	SHIELD, motor, painted	1				
62	288663	FRAME, cart	1				
71	15G804	LABEL, Mark V	1				
72	15G805	LABEL, Mark V	1				
83	287523	HOUSING, bearing	1				
84		MOTOR, electric; <i>includes 126, 127</i>	1				
	287200	Series A					
	257188	Series B					
85	287472	ROD, connecting; <i>includes 43, 44</i>	1				
87	241920	DEFLECTOR, threaded	1				

▲ Extra Danger and Warning tags and labels available free.

\* 253131 KIT, repair, tube



# Parts List

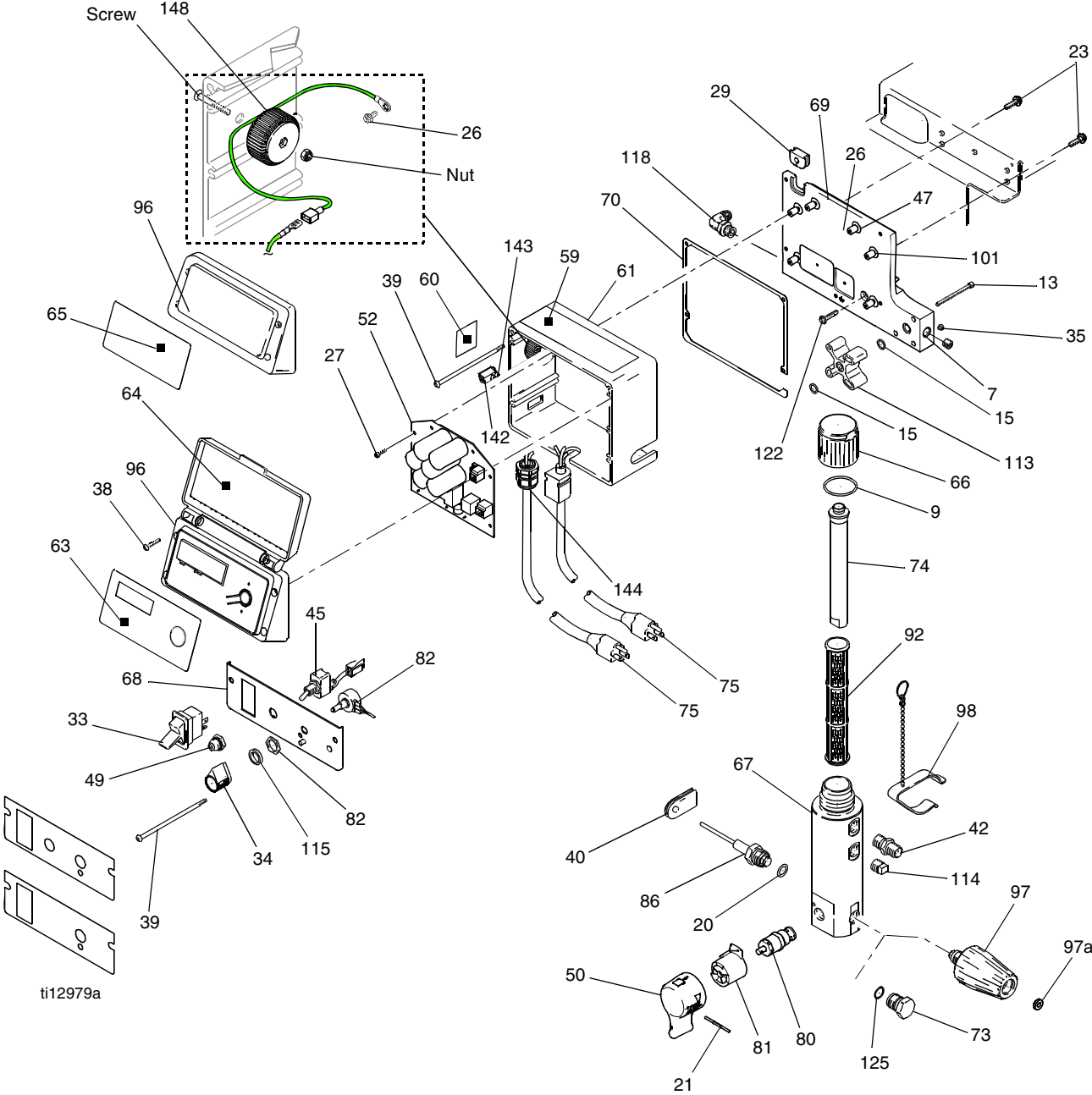
## 695/795 Lo-Boy Series A; 695 Hi-Boy Series A - C; 795 Hi-Boy Series A, B; 1095/1595/Mark V Series A

Ref.	Part	Description	Qty.	Ref.	Part	Description	Qty.
7	100721	PLUG, pipe	1	80	257352	VALVE, prime	1
9	117285	PACKING, o-ring	1	81	224807	BASE, valve	1
13	C19817	SCREW, cap, socket	3	82	256219	POTENTIOMETER, assembly	1
15	107505	PACKING, o-ring	2	86	243222	TRANSDUCER, pressure control; <i>includes 20</i>	1
20	111457	PACKING, o-ring	2				
21	15C972	PIN, grooved	1	92		FILTER, fluid	1
23	110963	SCREW, cap, flng	2		244071	30 mesh	1
26	114391	SCREW, grounding	1		244067	60 mesh, original equipment	1
27	113045	SCREW, sems, mach, phillips	5		244068	100 mesh	1
29	15D087	GROMMET	1		244069	200 mesh	1
33	15C979	SWITCH, rocker	1	96		COVER, control	
34	116167	KNOB, potentiometer	1		15D456	Ultra Standard	1
35	105510	WASHER, lock, spring	3		287286	Ultra Premium; <i>includes 38, 63, 64, &amp; 65</i>	1
38	116252	SCREW, #10 taptite phillips	4				
39	112381	SCREW, mach, pan hd	4		825026	Ultimate Premium; <i>includes 38, 63 64, &amp; 65</i>	
40	15D033	GROMMET, transducer	1				
42		NIPPLE, adapter	1	97	287293	VALVE, Autoclean Premium Models; <i>includes 97a</i>	1
	164672	695, 795, 1095, 1595					
	162485	Mark V		97a	15F950	GASKET	1
45	119541	SWITCH, toggle	1	98		KIT, repair, clamp, trigger	1
47	186620	LABEL, symbol, ground	1		244346	Premium Models	
49	195428	BOOT, toggle	1	101	15D160	STUD, board	5
50	15C780	HANDLE	1	102	114420	SCREW, mach, pmh, sems	1
52	287941	CONTROL, board; (2 capacitor) <i>includes 27, 102</i>	1	113	15F844	SPACER, manifold	1
59▲	15D523	LABEL, warning	1	114	104813	PLUG, pipe	1
60▲	195833	LABEL, warning	1	115	15C973	GASKET	1
61		BOX, control	1	118		FITTING, hydraulic	1
	15G953	695, 795, 1095			120185	FITTING, hydraulic Mark V	
	15G700	1595, Mark V			116793	FITTING, elbow, hydraulic 695, 795,	
63	198648	LABEL, LCD	1		118896	FITTING, elbow, hydraulic 1095, 1595	
64	15D063	LABEL, instruction	1				
65		LABEL, ctrl, box cover	1	122	115478	SCREW, mach torx/slt	1
	15K394	Ultra Premium Digital Display		125	15D541	SEAL, washer	1
	15D609	Ultra Standard		142	120059	SWITCH, rocker 1595, Mark V	1
	196843	Ultimate Premium Digital Display		143	15G935	CONNECTOR, electrical 1595, Mark V	1
	15B705	Ultimate Standard					
66	287285	CAP, filter; <i>includes 9, 74</i>	1	144	116171	BUSHING, strain relief 1595, Mark V	1
67	15C838	BASE, filter	1				
68		PANEL, control	1	147	15G769	LABEL	1
	15C947	Mark V		148	287943	KIT, repair, coil; <i>includes Nut &amp; Screw</i>	1
	15G627	695, 795, 1095, 1595					
69	15C840	PLATE, power bar	1	172	241735	HOSE, cpld, 1/4 in. x 3 ft	1
70	15D036	GASKET, control box	1	173	159841	ADAPTER, 1/4 npt(f) x 3/8 npt(m)	1
73	248314	PLUG, Autoclean; <i>includes 125</i>	1	174	189018	SWIVEL, 1/4 npsm(f) x 1/4 npsm(m)	1
74	15C766	TUBE, diffusion	1				
75		CORD, power	1				
	15H064	695, 795, 1095					
	15H066	1595, Mark V ETLC					
	15H065	1595, Mark V					

▲ Extra Danger and Warning tags and labels available free.

# Parts Drawing

695/795 Lo-Boy Series B; 695 Hi-Boy Series D;  
795 Hi-Boy Series C; 1095/1595/Mark V Series B  
(Models with SIX large capacitors on control board)



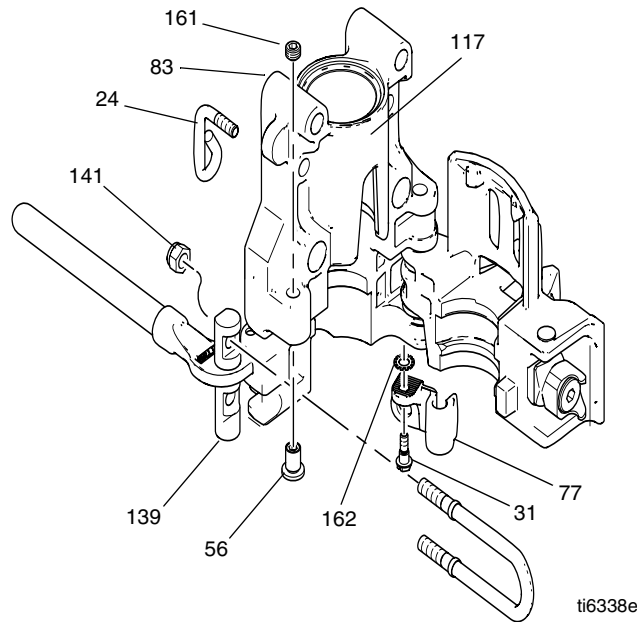
# Parts List

## 695/795 Lo-Boy Series B; 695 Hi-Boy Series D; 795 Hi-Boy Series C; 1095/1595/Mark V Series B

Ref.	Part	Description	Qty.	Ref.	Part	Description	Qty.
7	100721	PLUG, pipe	1	80a	277364	GASKET, seat, valve	
9	117285	PACKING, o-ring	1	80b	15E022	SEAT, valve	
13	C19817	SCREW, cap, socket	3	81	224807	BASE, valve	1
15	107505	PACKING, o-ring	2	82	256219	POTENTIOMETER, assembly	1
20	111457	PACKING, o-ring	2	86	243222	TRANSDUCER, pressure control;	1
21	15C972	PIN, grooved	1			<i>includes 20</i>	
23	110963	SCREW, cap, flng	2	92		FILTER, fluid	1
26	114391	SCREW, grounding	1		244071	30 mesh	1
27	113045	SCREW, sems, mach, phillips	6		244067	60 mesh, original equipment	1
29	15V996	GROMMET	1		244068	100 mesh	1
33	15C979	SWITCH, rocker	1		244069	200 mesh	
34	116167	KNOB, potentiometer	1	96		COVER, control	
35	105510	WASHER, lock, spring	3		15D456	Ultra Standard	1
38	116252	SCREW, #10 taptite phillips	4		287286	Ultra Premium; <i>includes 38, 63,</i>	1
39	112381	SCREW, mach, pan hd	4			<i>64, &amp; 65</i>	
40	15D033	GROMMET, transducer	1		825026	Ultimate Premium; <i>includes 38, 63</i>	
42		NIPPLE, adapter	1			<i>64, &amp; 65</i>	
	164672	695, 795, 1095, 1595		97	287293	VALVE, Autoclean	1
	162485	Mark V				Premium Models; <i>includes 97a</i>	
45	119541	SWITCH, toggle	1	97a	15F950	GASKET	1
47	186620	LABEL, symbol, ground	1	98		KIT, repair, clamp, trigger	1
49	195428	BOOT, toggle	1		244346	Premium Models	
50	15C780	HANDLE	1	101	15V938	STUD, board	6
52	257448	CONTROL, board; <i>includes 27, 102</i>	1	102	114420	SCREW, mach, pmh, sems	2
59▲	15D523	LABEL, warning	1	113	15F844	SPACER, manifold	1
60▲	195833	LABEL, warning	1	114	104813	PLUG, pipe	1
61		BOX, control	1	115	15C973	GASKET	1
	15G953	695, 795, 1095		118		FITTING, hydraulic	1
	15G700	1595, Mark V			120185	FITTING, hydraulic Mark V	
63	198648	LABEL, LCD	1		116793	FITTING, elbow, hydraulic	
64	15D063	LABEL, instruction	1			695, 795,	
65		LABEL, ctrl, box cover	1		118896	FITTING, elbow, hydraulic 1095,	
	15K394	Ultra Premium Digital Display				1595	
	15K384	Ultra Standard		122	115478	SCREW, mach torx/slt	1
	196843	Ultimate Premium Digital Display		125	15D541	SEAL, washer	1
	15B705	Ultimate Standard		142	120059	SWITCH, rocker 1595, Mark V	1
66	287285	CAP, filter; <i>includes 9, 74</i>	1	143	15G935	CONNECTOR, electrical 1595,	1
67	15C838	BASE, filter	1			Mark V	
68		PANEL, control	1	144	116171	BUSHING, strain relief 1595,	1
	15C947	Mark V Panel Control	1			Mark V	
	15G627	695, 795, 1095, 1595 Panel Control	1	148	287943	KIT, repair, coil; <i>includes Nut &amp;</i>	1
69	15V937	PLATE, power bar	1			<i>Screw</i>	
70	15D036	GASKET, control box	1	172	241735	HOSE, cpld, 1/4 in. x 3 ft	1
73	248314	PLUG, Autoclean; <i>includes 125</i>	1	173	159841	ADAPTER, 1/4 npt(f) x 3/8 npt(m)	1
74	15C766	TUBE, diffusion	1	174	189018	SWIVEL, 1/4 npsm(f) x 1/4 npsm(m)	1
75		CORD, power	1				
	15H064	695, 795, 1095					
	15H066	1595, Mark V ETL					
	15H065	1595, Mark V					
80	24A381	VALVE, prime	1				

▲ Extra Danger and Warning tags and labels available free.

# Parts Drawing - Bearing Housing 287523

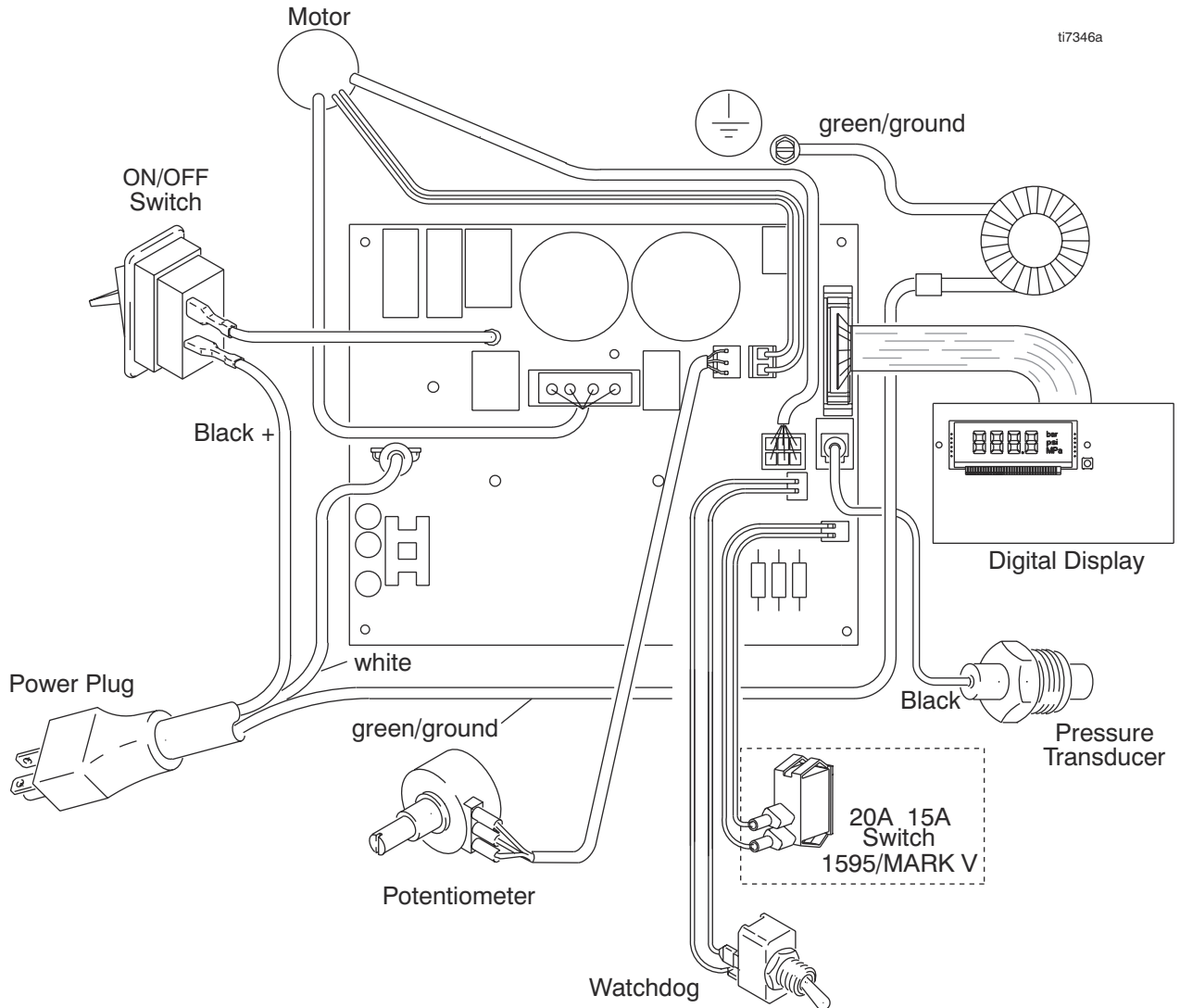


## Parts List - Bearing Housing 287523

Ref No.	Part No.	Description	Qty
24	15F116	LATCH, handle	1
31	119250	SCREW, machine, hex washer	5
56	15F498	SCREW, adjustment	1
77	278204	CLIP, spring	1
83		HOUSING, bearing	1
117	187437	LABEL, torque	1
139	15E625	PIN, housing, bearing	1
141	111040	NUT, lock, insert, nylock	2
161	15F503	SCREW, set, socket head	1
162	100985	WASHER, lock ext	1

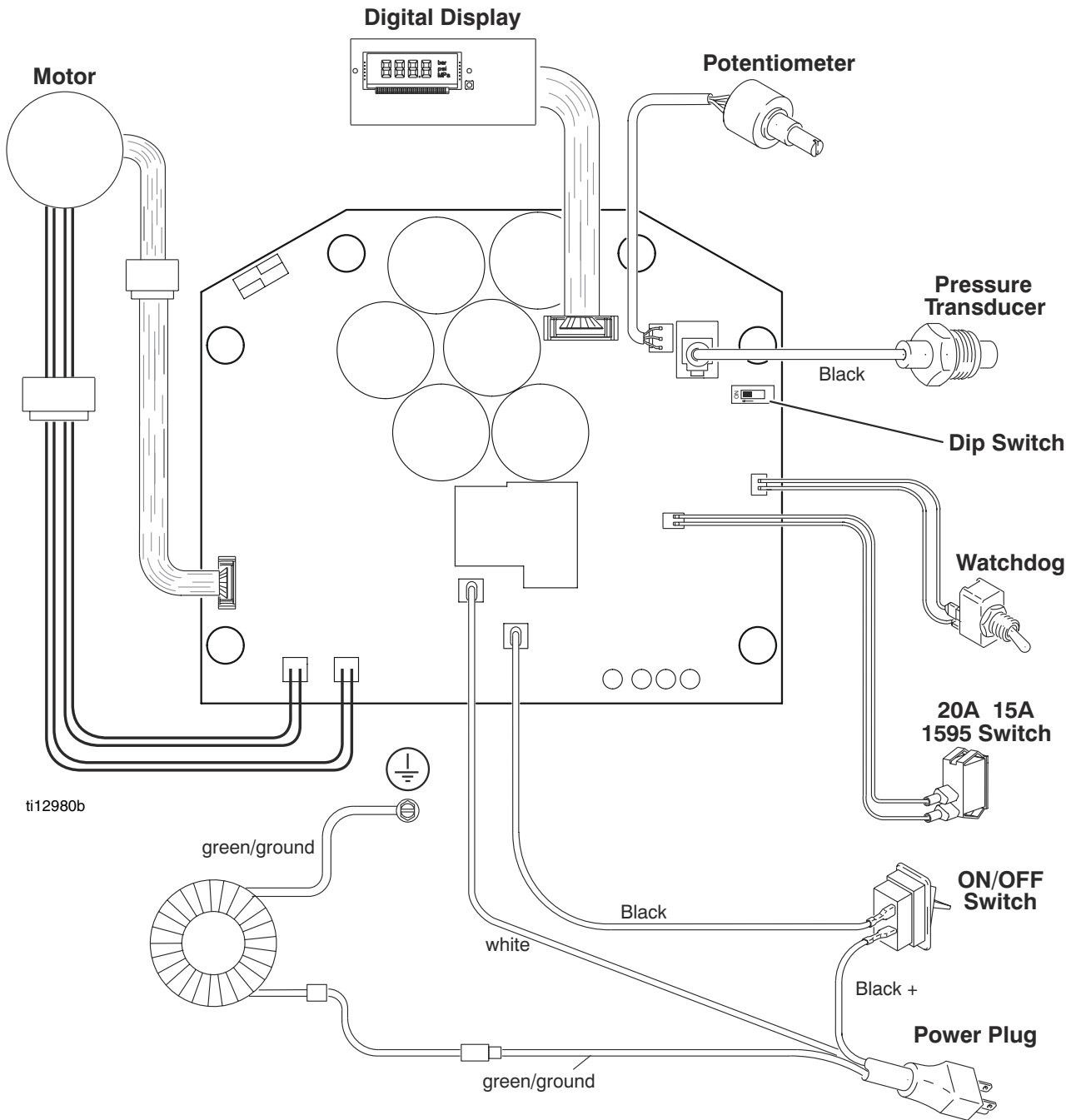
# Wiring Diagram

**695/795 Lo-Boy Series A; 695 Hi-Boy Series A - C;  
795 Hi-Boy Series A, B; 1095/1595/Mark V Series A  
(Models with only TWO large capacitors on control board)**



# Wiring Diagram

695/795 Lo-Boy Series B; 695 Hi-Boy Series D;  
795 Hi-Boy Series C; 1095/1595/Mark V Series B  
(Control board is not rectangular and has SIX large capacitors)







# Graco Standard Warranty

Graco warrants all equipment referenced in this document which is manufactured by Graco and bearing its name to be free from defects in material and workmanship on the date of sale to the original purchaser for use. With the exception of any special, extended, or limited warranty published by Graco, Graco will, for a period of twelve months from the date of sale, repair or replace any part of the equipment determined by Graco to be defective. This warranty applies only when the equipment is installed, operated and maintained in accordance with Graco's written recommendations.

This warranty does not cover, and Graco shall not be liable for general wear and tear, or any malfunction, damage or wear caused by faulty installation, misapplication, abrasion, corrosion, inadequate or improper maintenance, negligence, accident, tampering, or substitution of non-Graco component parts. Nor shall Graco be liable for malfunction, damage or wear caused by the incompatibility of Graco equipment with structures, accessories, equipment or materials not supplied by Graco, or the improper design, manufacture, installation, operation or maintenance of structures, accessories, equipment or materials not supplied by Graco.

This warranty is conditioned upon the prepaid return of the equipment claimed to be defective to an authorized Graco distributor for verification of the claimed defect. If the claimed defect is verified, Graco will repair or replace free of charge any defective parts. The equipment will be returned to the original purchaser transportation prepaid. If inspection of the equipment does not disclose any defect in material or workmanship, repairs will be made at a reasonable charge, which charges may include the costs of parts, labor, and transportation.

**THIS WARRANTY IS EXCLUSIVE, AND IS IN LIEU OF ANY OTHER WARRANTIES, EXPRESS OR IMPLIED, INCLUDING BUT NOT LIMITED TO WARRANTY OF MERCHANTABILITY OR WARRANTY OF FITNESS FOR A PARTICULAR PURPOSE.**

Graco's sole obligation and buyer's sole remedy for any breach of warranty shall be as set forth above. The buyer agrees that no other remedy (including, but not limited to, incidental or consequential damages for lost profits, lost sales, injury to person or property, or any other incidental or consequential loss) shall be available. Any action for breach of warranty must be brought within two (2) years of the date of sale.

**GRACO MAKES NO WARRANTY, AND DISCLAIMS ALL IMPLIED WARRANTIES OF MERCHANTABILITY AND FITNESS FOR A PARTICULAR PURPOSE, IN CONNECTION WITH ACCESSORIES, EQUIPMENT, MATERIALS OR COMPONENTS SOLD BUT NOT MANUFACTURED BY GRACO.** These items sold, but not manufactured by Graco (such as electric motors, switches, hose, etc.), are subject to the warranty, if any, of their manufacturer. Graco will provide purchaser with reasonable assistance in making any claim for breach of these warranties.

In no event will Graco be liable for indirect, incidental, special or consequential damages resulting from Graco supplying equipment hereunder, or the furnishing, performance, or use of any products or other goods sold hereto, whether due to a breach of contract, breach of warranty, the negligence of Graco, or otherwise.

## **FOR GRACO CANADA CUSTOMERS**

The Parties acknowledge that they have required that the present document, as well as all documents, notices and legal proceedings entered into, given or instituted pursuant hereto or relating directly or indirectly hereto, be drawn up in English. Les parties reconnaissent avoir convenu que la rédaction du présente document sera en Anglais, ainsi que tous documents, avis et procédures judiciaires exécutés, donnés ou intentés, à la suite de ou en rapport, directement ou indirectement, avec les procédures concernées.

# Graco Information

For the latest information about Graco products, visit [www.graco.com](http://www.graco.com).

**TO PLACE AN ORDER**, contact your Graco distributor or call 1-800-690-2894 to identify the nearest distributor.

*All written and visual data contained in this document reflects the latest product information available at the time of publication. Graco reserves the right to make changes at any time without notice.*

For patent information, see [www.graco.com/patents](http://www.graco.com/patents).  
Original instructions. This manual contains English. MM 311362

**Graco Headquarters:** Minneapolis  
**International Offices:** Belgium, China, Japan, Korea

**GRACO INC. AND SUBSIDIARIES • P.O. BOX 1441 • MINNEAPOLIS MN 55440-1441 • USA**  
**Copyright 2011, Graco Inc. All Graco manufacturing locations are registered to ISO 9001.**

[www.graco.com](http://www.graco.com)  
Revised May 2013