

Hose Replacement Kit for XD30 Series High Capacity Hose Reels

3A0140C
EN

Instructions for Replacing Service Hose on XD Series High Capacity Hose Reels.

Part No: 24C986, 24C987, 24C988, 24C989, 24C990, 24C991, 24C992, 24P061, 24P062, 24P063, 24P064, 24P065, 24P066, 24P067, 24P068, 24P069, 24P071, 24P072



Important Safety Instructions

Read all warnings and instructions in this manual and in the XD30 Series High Capacity Hose Reel Instruction Manual. Save all instructions.

WARNING



SKIN INJECTION HAZARD

High-pressure fluid from dispensing device, hose leaks, or ruptured components will pierce skin. This may look like just a cut, but it is a serious injury that can result in amputation. **Get immediate surgical treatment.**

- Do not point dispensing device at anyone or at any part of the body.
- Do not put your hand over the fluid outlet.
- Do not stop or deflect leaks with your hand, body, glove, or rag.
- Follow the **Pressure Relief Procedure** when you stop dispensing and before cleaning, checking, or servicing equipment.
- Tighten all fluid connections before operating the equipment.
- Check hoses and couplings daily. Replace worn or damaged parts immediately.

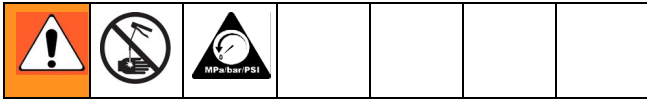


MOVING PARTS HAZARD

Moving parts can pinch, cut or amputate fingers and other body parts.

- Keep clear of moving parts.
- Do not operate equipment with protective guards or covers removed.
- Pressurized equipment can start without warning. Before checking, moving, or servicing equipment, follow the **Pressure Relief Procedure** and disconnect all power sources.

Pressure Relief Procedure



1. Close the supply pump's bleed-type master air valve (required for pneumatic systems) (FIG. 1).

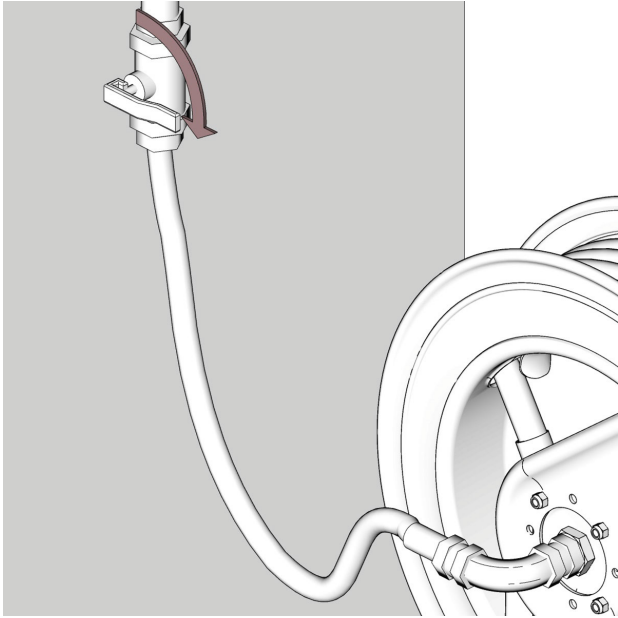


FIG. 1

2. Trigger fluid valve into a waste container until pressure is relieved (FIG. 2).

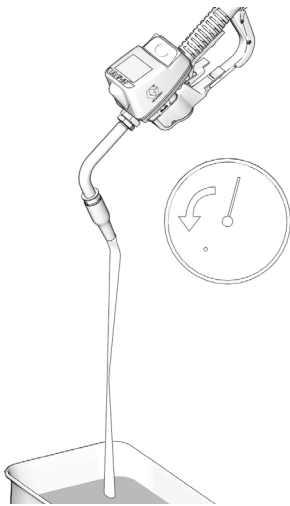


FIG. 2

3. Leave the fluid valve open until you are ready to use the system again.

*If you suspect that the dispensing valve, extension, or grease fitting coupler is clogged, or that pressure has not been fully relieved after you have followed the steps above, **very slowly** loosen the coupler or hose end coupling to relieve the pressure gradually, then loosen it completely. Then clear the clog.*

Replacing the Service Hose

Disassembly



1. Relieve the pressure.
2. Remove hose stop (A) from hose end and put all the hose stop parts in a safe place to reinstall on the new hose later (FIG. 3).
 - a. Loosen and remove screws (aa) and nuts (bb).
 - b. Separate two hose stop components (A) to remove from end of hose.

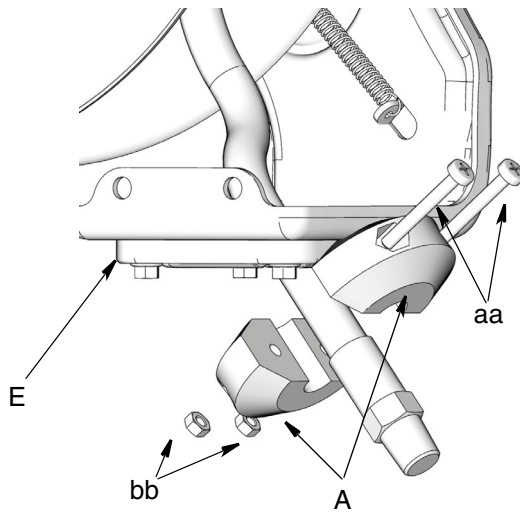
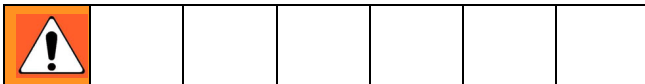


FIG. 3

3. Fully extend the hose.



Uncontrolled spinning of the hose reel could cause serious injury if you are hit by the hose.

- Never allow the reel to spin freely.
- The reel must be bolted securely in place when making adjustments.

4. Attach a C-Clamp (B) to the reel to help prevent the reel from unintentionally becoming unlatched and spinning freely (FIG. 4).

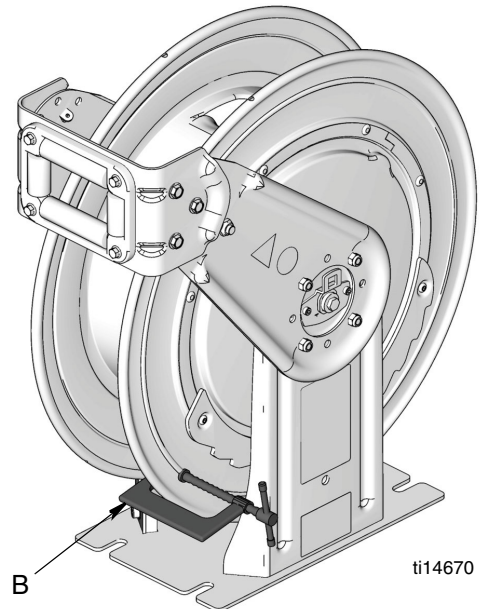


FIG. 4

5. Disconnect hose fitting (C) from swivel (D) (FIG. 5) and completely remove the hose from reel.

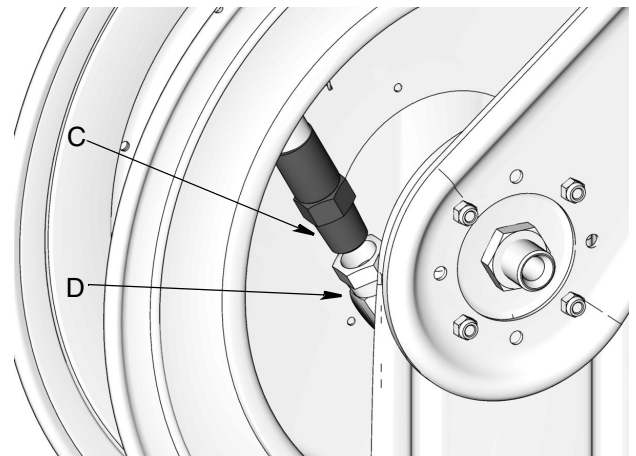


FIG. 5

6. Install hose stop (A) to end of hose (FIG. 3).
 - a. Insert screws (aa) through hose stop (A).
 - b. Hand tighten nuts (bb).
7. Run the hose fitting end of hose (C), through the hose guide (E) and attach the new hose to the hose reel swivel (D) (FIG. 5).

NOTE: If hose is equipped with a kink guard, make sure the guard is on the ball stop/implement end.

- Carefully remove the C-Clamp (B) (FIG. 4).
- Pull the hose hard enough to release the latch and slowly allow the hose to retract and wind itself onto spool.

Flush System

To avoid contaminating the fluid with line-scale, chips or other installation debris, before installing meter or dispense valve to end of hose, flush the equipment with a compatible solvent such as Stoddard solvent or mineral spirits.

- Place end of the hose in a waste bucket (FIG. 6).

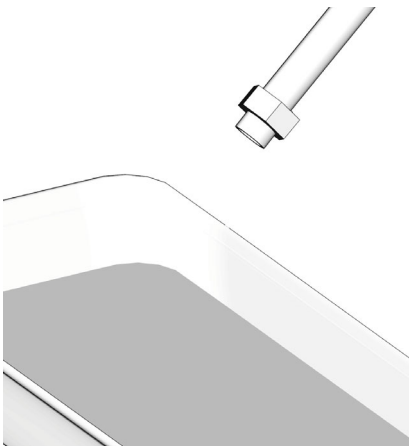


FIG. 6

- Blow out entire lubricant supply line with air (FIG. 7).

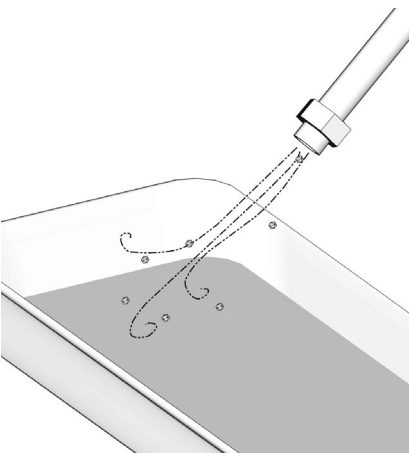


FIG. 7

- Flush equipment with a compatible solvent until fluid runs clear (FIG. 8).

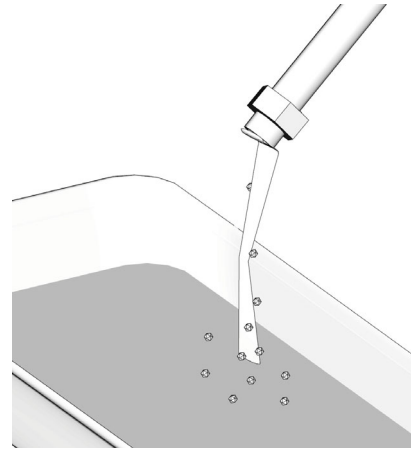


FIG. 8

- Pump lubricant through line until all solvent is flushed out (FIG. 9).

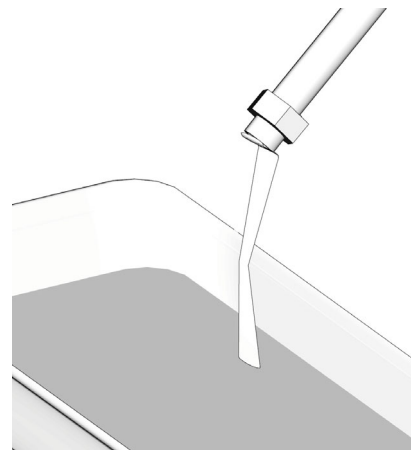


FIG. 9

Install Meter or Dispense Valve

Install meter or dispense valve to end of hose following instructions provided with the dispense equipment.

Adjust Spring Tension



Uncontrolled spinning of the hose reel could cause serious injury if you are hit by the hose.

- Never allow the reel to spin freely.
- The reel must be bolted securely in place when making adjustments.

1. Loosen, but **DO NOT REMOVE**, bolt (A) (approximately 3 to 5 turns) (FIG. 10).

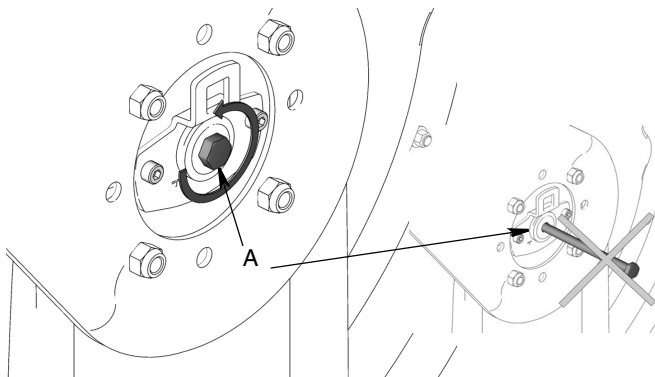


FIG. 10

2. Loosen screws (B) approximately 3 to 5 turns. **Do not remove screws (B) yet** (FIG. 11).

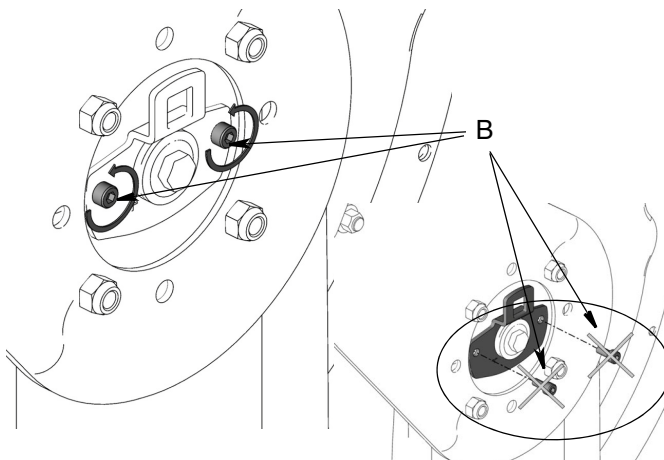


FIG. 11

3. Insert ratchet (C) in slot (D) first, then entirely remove screws (B) (FIG. 12).

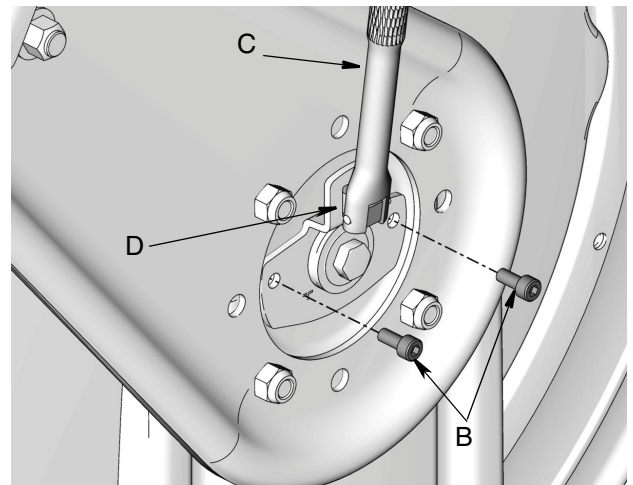


FIG. 12

4. Turn ratchet (C) one full turn, clockwise (FIG. 13).

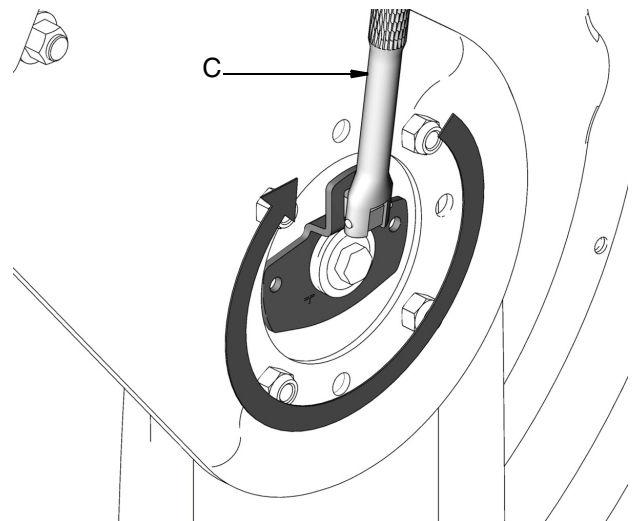


FIG. 13

5. Leave ratchet (C) in place and replace one screw (B) (FIG. 14).

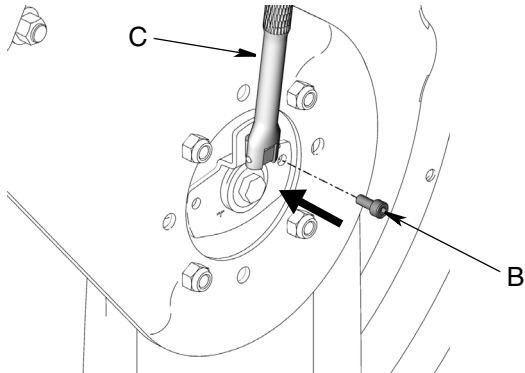


FIG. 14

6. Remove ratchet (C) from opening (D) (FIG. 15).

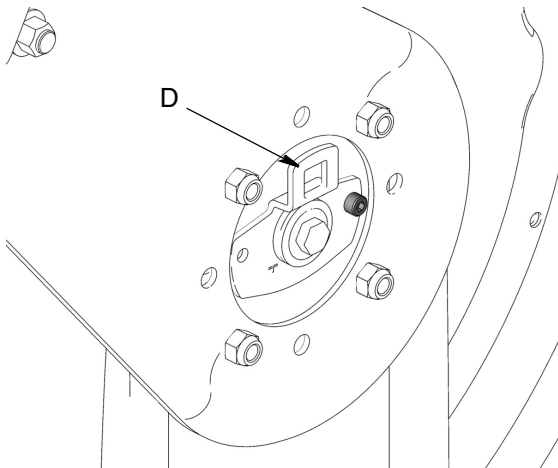


FIG. 15

7. Pull on hose to test tension (FIG. 16).

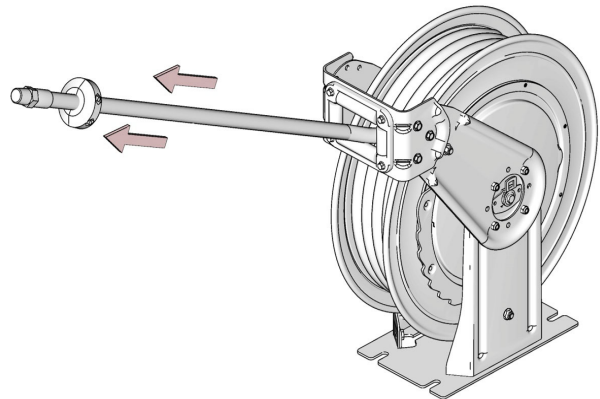


FIG. 16

8. Repeat steps 1 - 7 (page 5 - 6) if necessary until spring tension is correct.
9. Replace and tighten screws (B) and bolt (A).

All written and visual data contained in this document reflects the latest product information available at the time of publication. Graco reserves the right to make changes at any time without notice.

For patent information, see www.graco.com/patents.

Original instructions. This manual contains English. MM 3A0140

Graco Headquarters: Minneapolis
International Offices: Belgium, China, Japan, Korea

GRACO INC. AND SUBSIDIARIES • P.O. BOX 1441 • MINNEAPOLIS MN 55440-1441 • USA

Copyright 2009, Graco Inc. All Graco manufacturing locations are registered to ISO 9001.

www.graco.com
Revised August 2012