

Bead Tank Kit, Paint Tank Kit, and Accessory Frame Kit 3A1302E For RoadLazer™ RoadPak™ Line Striping System EN

- Model 24G769 - Paint Tank Kit
- Model 24G765 - Bead Tank Kit
- Model 24H585 - Accessory Frame Kit
- Model 25D608 - Large Bead Tank and Skid Kit
- Model 25D641 - Large Bead Tank Kit



Important Safety Instructions

For complete warnings and safety instructions see RoadLazer™ RoadPak™ Line Striper System manual. Save these instructions.

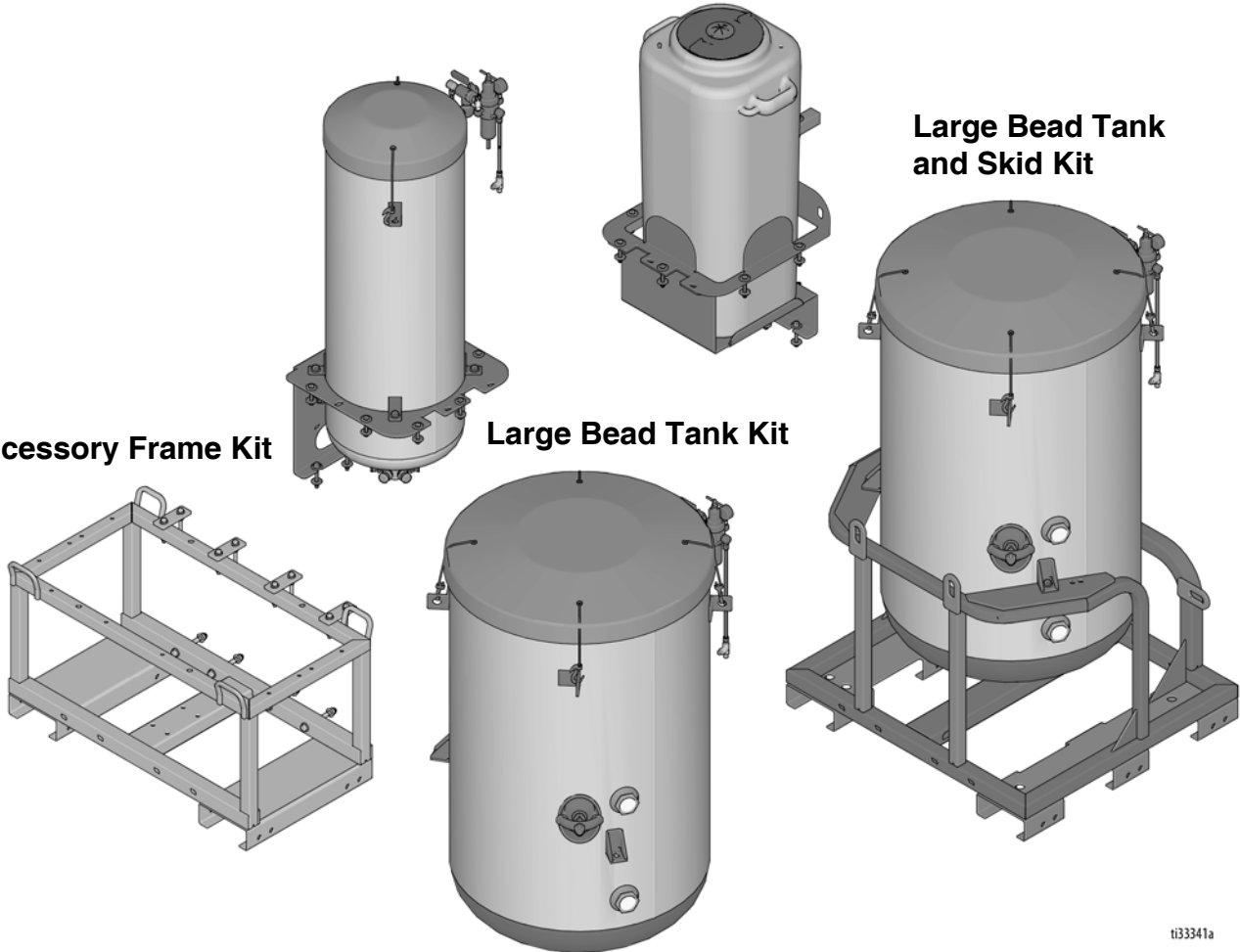
Bead Tank Kit

Paint Tank Kit

Large Bead Tank and Skid Kit

Accessory Frame Kit

Large Bead Tank Kit



ti33341a

Pressure Relief Procedure



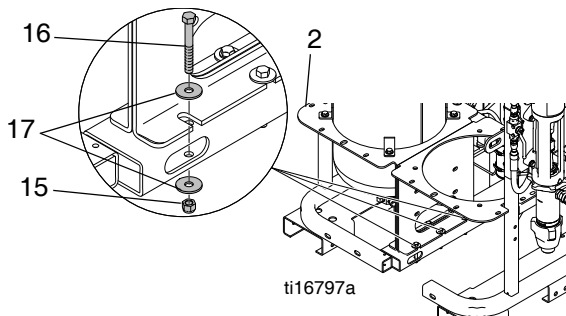
Follow the Pressure Relief Procedure whenever you see this symbol.

<p>The system pressure must be manually relieved to prevent the system from starting or spraying accidentally. Fluid under high pressure can be injected through the skin and cause serious injury. To reduce the risk of an injury from injection, splashing fluid, or moving parts, follow the Pressure Relief Procedure in manual 3A5384 whenever you:</p> <ul style="list-style-type: none"> • are instructed to relieve the pressure • stop spraying • check or service any of the system equipment • install or clean the spray tip 		

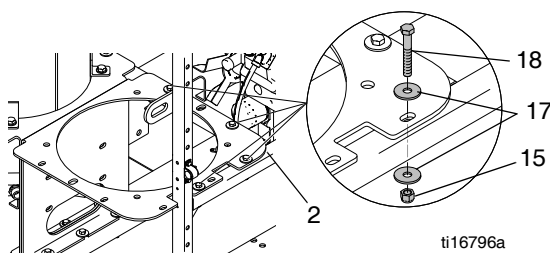
1. Relieve pressure. See **Pressure Relief Procedure** in manual 3A5384.

Second 450 lb. Bead Tank (24G765) Installation

1. Place bead tank mounting bracket (2) into position on RoadPak frame.
2. Install three bolts (16) and washers (17) on bottom of bracket (2). Thread nuts (15) onto bolts and torque to 15 ft-lb (20.3 N•m).

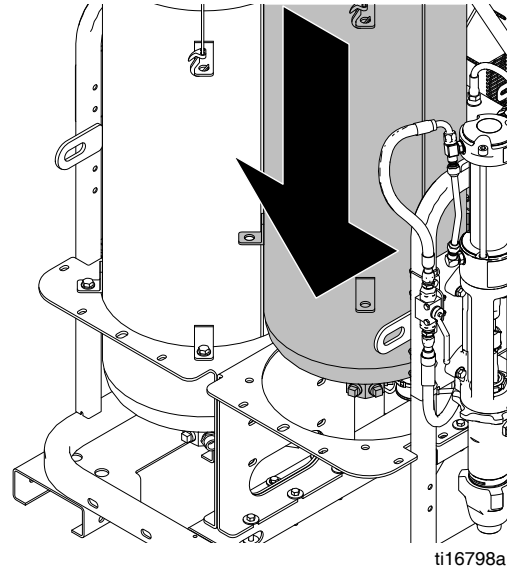


3. Install four bolts (18) and washers (17) to top of bracket (2). Thread nuts (15) onto bolts and torque to 15 ft-lb (20.3 N•m).



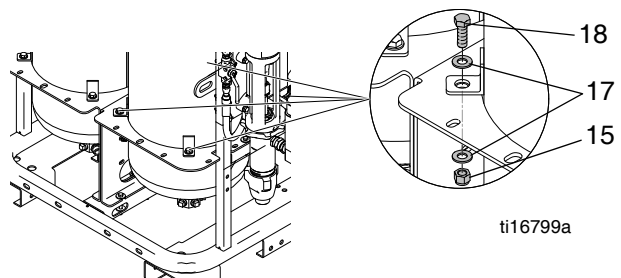
NOTE: If installing to accessory frame kit (24H585) install four bolts (18) and washers (17) to top of bracket (2). Thread nuts (15) onto bolts and torque to 15 ft-lb (20.3 N•m).

4. Use hoist (or other lifting equipment) to lift bead tank (1) and lower it into tank mounting bracket (2).

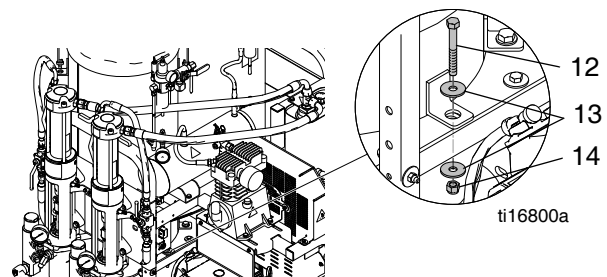


NOTE: Make sure bead tank is positioned with air regulator inlet facing toward inside of RoadPak.

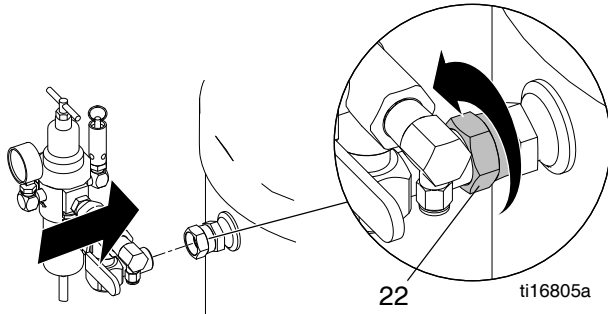
5. Install four bolts (18) and washers (17) at each corner bead tank mount. Thread nut (15) onto bolts and torque to 27 ft-lb (36.6 N•m).



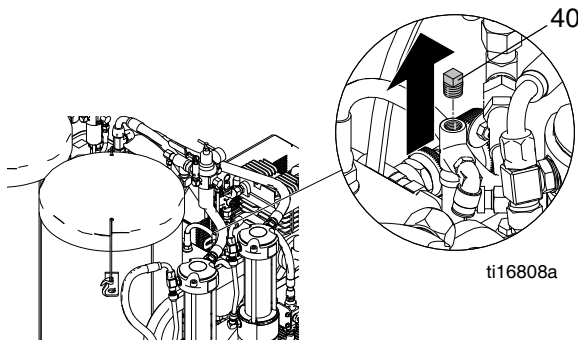
6. Install bolt (12) and washers (13) into center bead tank mount. Thread nut (14) onto bolt and torque to 15 ft-lb (20.3 N•m).



7. Connect air regulator assembly to bead tank air inlet and tighten swivel (22).

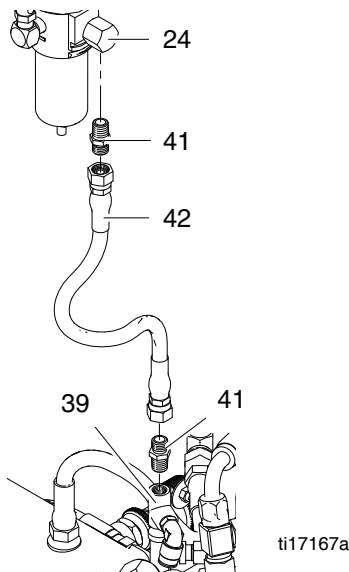


8. Remove plug (40) from T-fitting (39) assembled to air tank on RoadPak unit.



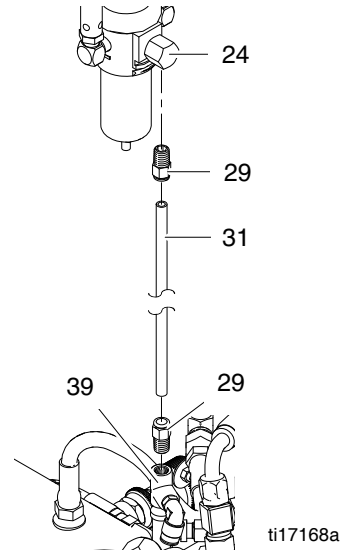
If assembling second bead tank to RoadPak frame:

9. Apply thread sealant to fitting (41) and tighten to T-fitting (39). Apply thread sealant to fitting (41) and tighten to elbow fitting (24). Connect coupled hose (42) to fittings (41).

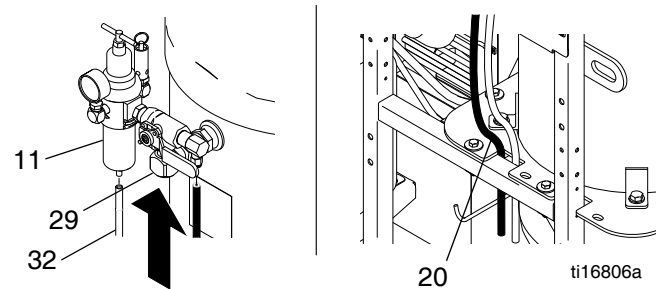


If assembling second bead tank to remote location:

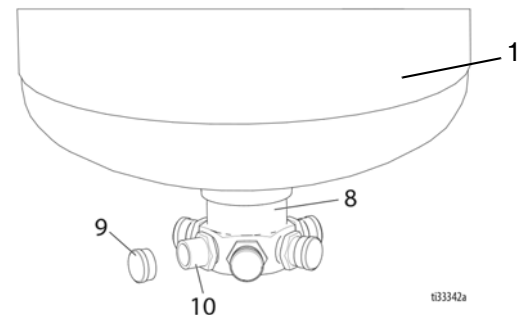
10. Tighten air fitting (29) to T-fitting (39). Tighten air fitting (29) to elbow fitting (24). Cut air hose (31) to desired length and connect to air fittings (29).



11. Connect dark hose (20) into air fitting (29) and clear hose (32) to bottom of air regulator (11). Route hoses through slot on tank bracket.

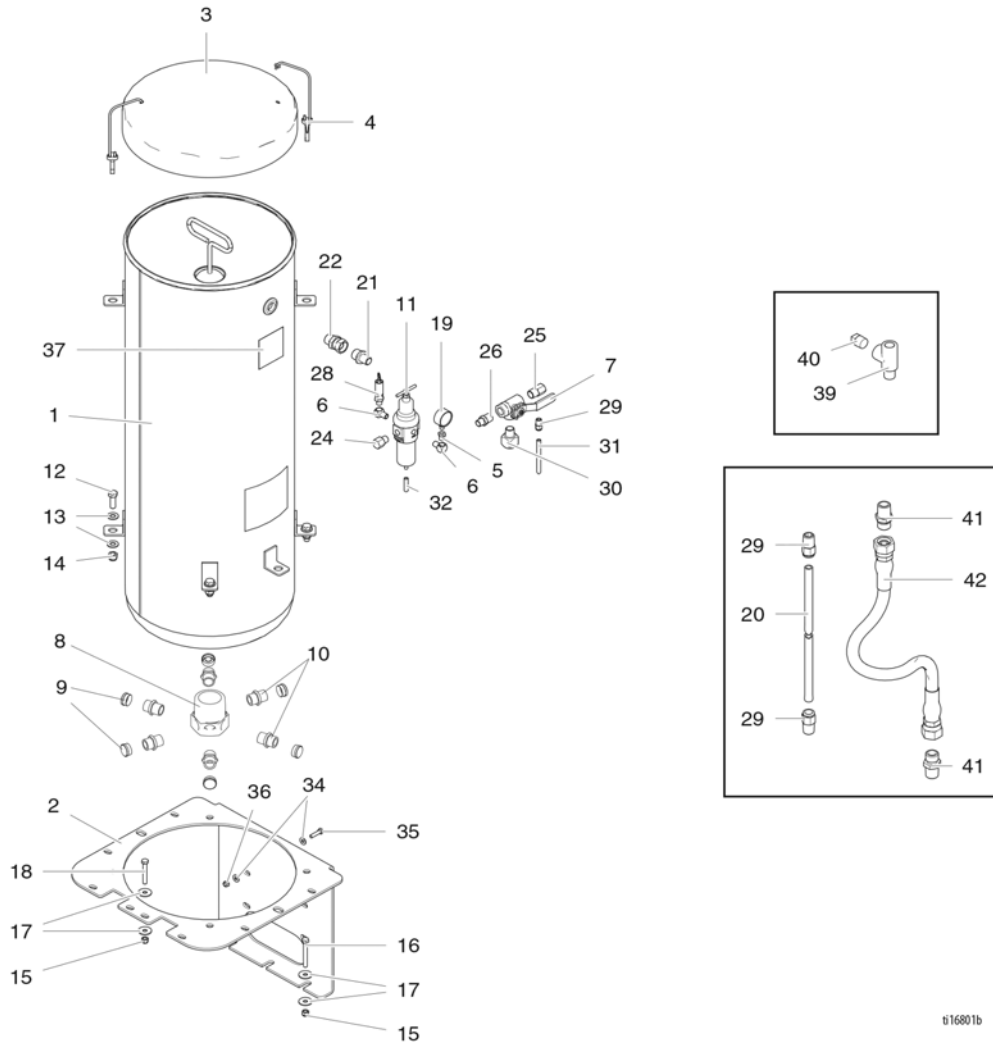


12. Connect bead hose (not included) to bottom of bead tank (1).



NOTE: Bead tank kit comes with six caps (9) shipped with hose kit.

Parts



Ref.	Part	Description	Qty.
1	24F496	TANK, bead, 36 gal., painted	1
2	16G777	PLATE, mount, bead tank, painted	1
3	16G166	COVER, bead tank	1
4	119771	STRAP, cover	2
5	100030	BUSHING	1
6	100840	FITTING, elbow, street	2
7	113292	VALVE, ball, 3 way	1
8	17U020	FITTING	1
9	16U377	PLUG, pipe	6
10	111834	NIPPLE, pipe, hex	6
11	113291	REGULATOR, air	1
12	100017	SCREW, cap, hex hd	4
13	109570	WASHER, plain	8
14	801020	NUT, lock, hex	4
15	101566	NUT, lock	10
16	125626	SCREW, cap hex hd	4
17	108851	WASHER, plain	17
18		BOLT, hex hd, 3/8 X 2.5	6
19	104655	GAUGE, press air	1
20	191267	HOSE, air	1

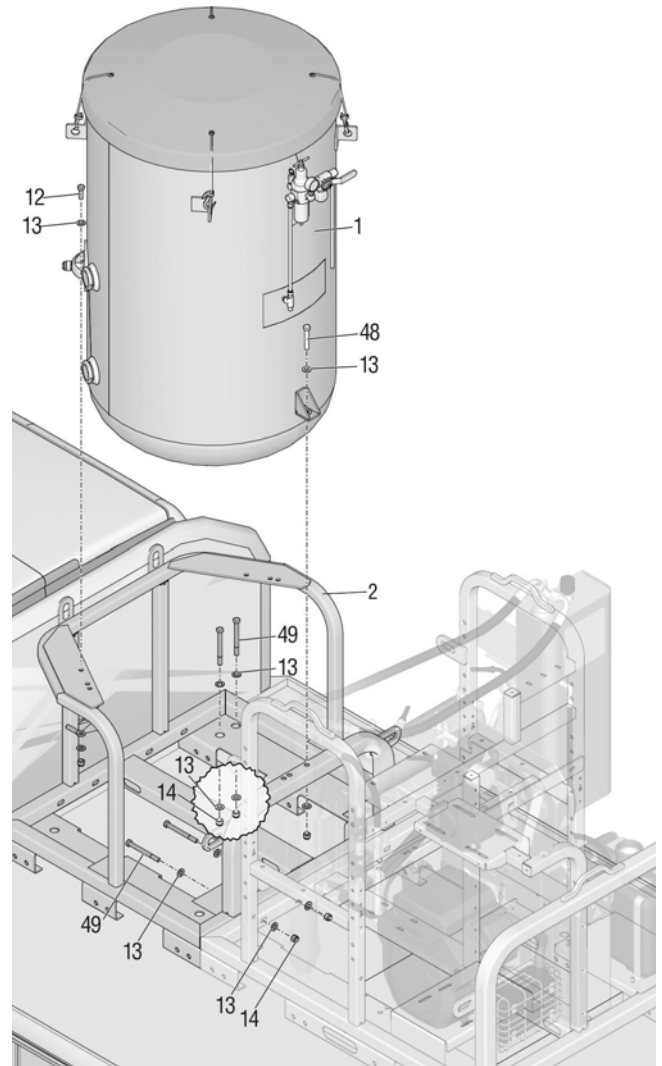
Ref.	Part	Description	Qty.
21	157191	FITTING, adapter (1/2 npt x 3/4 npt)	1
22	157785	FITTING, swivel	1
24	164259	FITTING, elbow, street	1
25	166999	FITTING, elbow, street	1
26	159239	FITTING, nipple, pipe, rdcg	1
28	108124	VALVE, safety, 75 psi	1
29	113319	FITTING, air	3
30	158683	FITTING, elbow, 90 deg	1
31	191643	HOSE, air, 3/8	1
32	16H355	TUBE, drain	1
34	100527	WASHER, plain	4
35	100521	SCREW, cap hex hd	2
36	111040	NUT, lock, insert, nylock, 5/16	2
37	16H060	LABEL, pressure on/off	1
39	106228	FITTING, tee, street	1
40	100509	PLUG, pipe	1
41	162453	FITTING, 1/4 npsm x 1/4 npt	1
42	512616	HOSE, coupled, 061120	1
43	15A552	SEAL, replacement	1

‡ Used if mounting more than 2 bead tanks to system.

1350 lb. Bead Tank and Skid (24D608) Installation

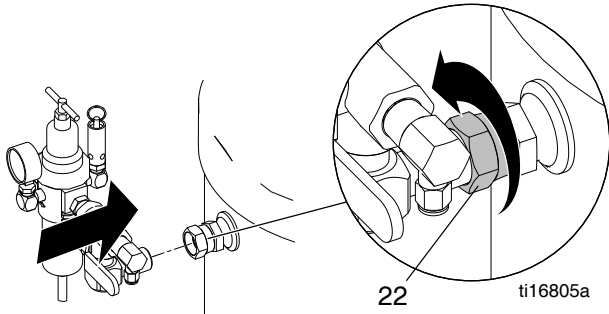
1. Place bead tank and frame assembly into position on RoadPak frame.
2. Install four bolts (49) and washers (13) on bottom of skid frame (2). Thread nuts (14) onto bolts and torque to 27 ft-lb (36.6 N•m).

NOTE: It is recommended to bolt the frame to the bed of the vehicle.

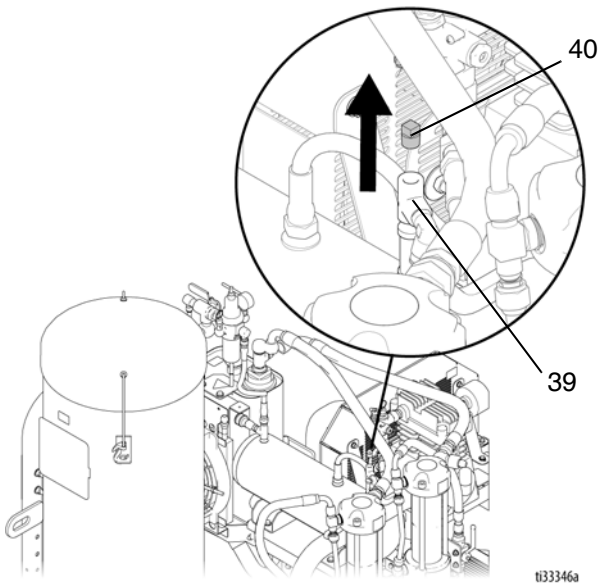


Parts

3. Connect air regulator assembly to bead tank air inlet and tighten swivel (22).

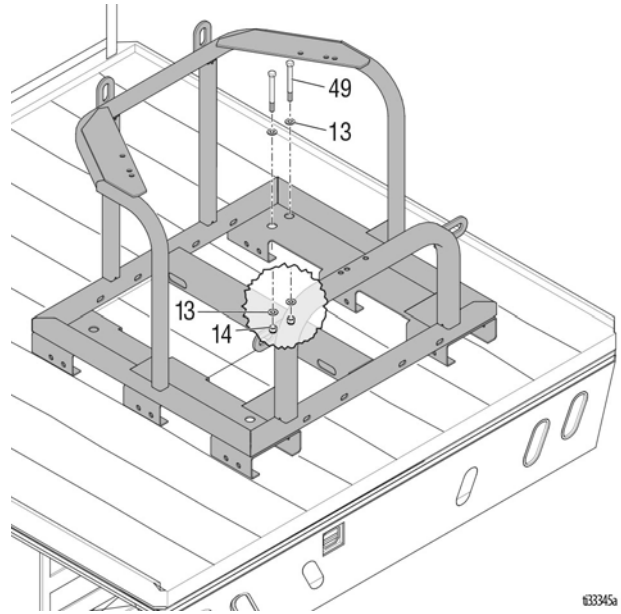


4. Remove plug (40) from T-fitting (39) assembled to air tank on RoadPak unit.

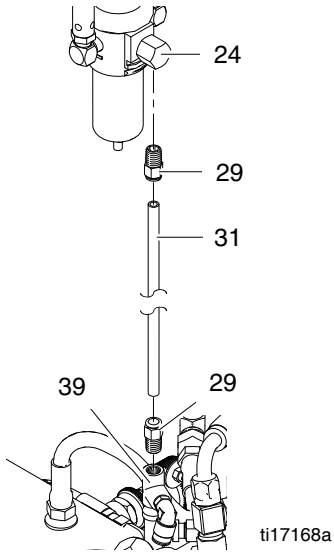


If assembling second bead tank to remote location:

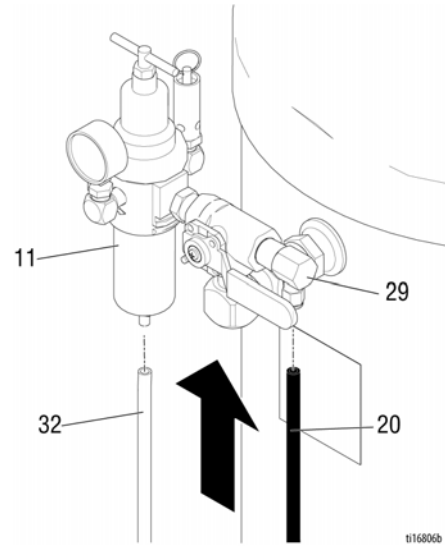
5. Mount frame to bed at vehicle.



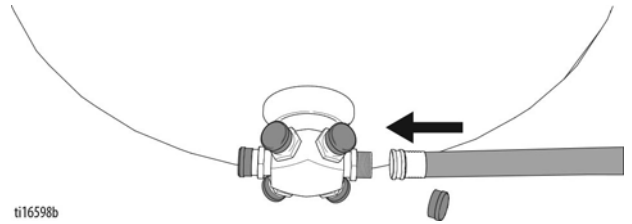
6. Tighten air fitting (29) to T-fitting (39). Tighten air fitting (29) to elbow fitting (24). Cut air hose (31) to desired length and connect to air fittings (29).



7. Connect dark hose (20) into air fitting (29) and clear hose (32) to bottom of air regulator (11). Route to desired location for draining.

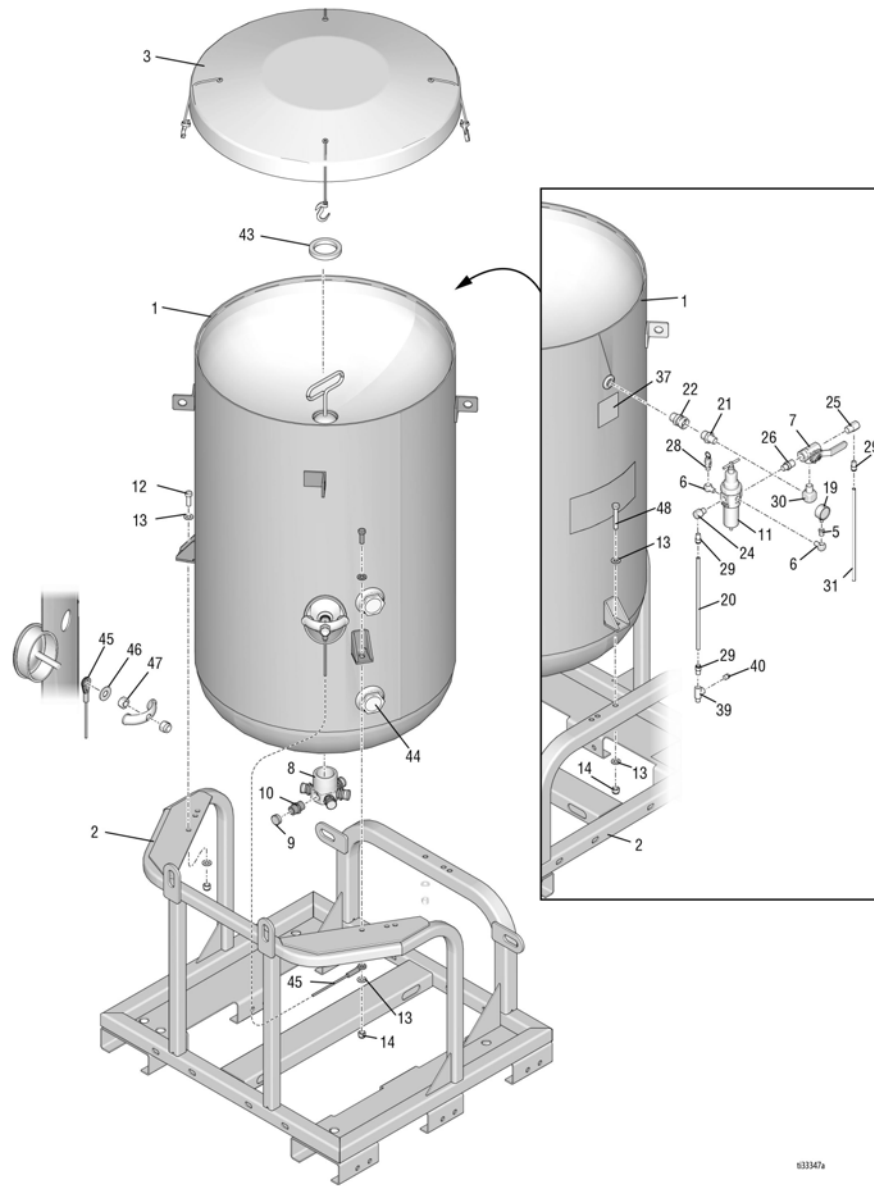


8. Connect bead hose (not included) to bottom of bead tank (1).



NOTE: Bead tank kit comes with six caps (9) shipped with hose kit.

Parts

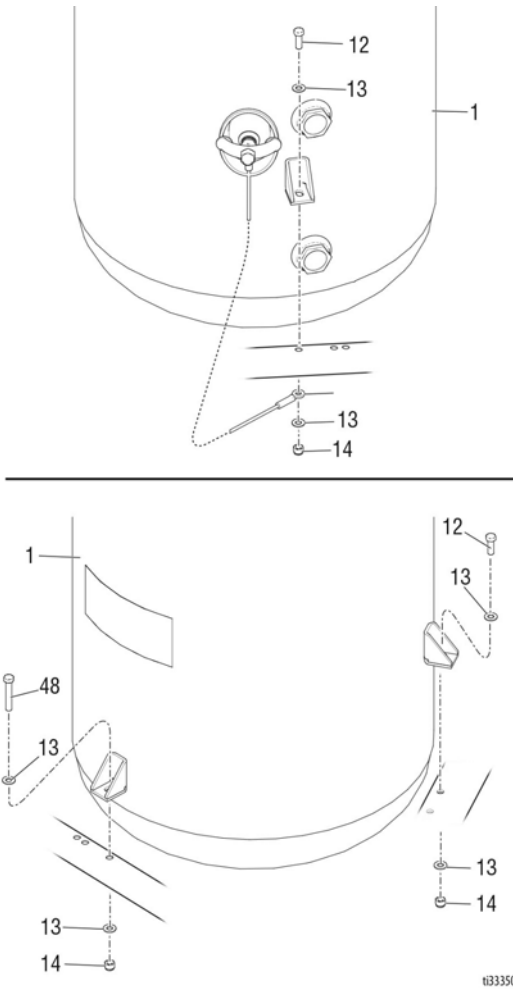


Ref. Part	Description	Qty.	Ref. Part	Description	Qty.
1	TANK, bead, 120 gal., painted	1	26	159239 FITTING, nipple, pipe, rdcg	1
2	17U094 PLATE, mount, bead tank, painted	1	28	108124 VALVE, safety, 75 psi	1
3	17S725 COVER, bead tank	1	29	113319 FITTING, air	3
4	119771 STRAP, cover	4	30	158683 FITTING, elbow, 90 deg	1
5	100030 BUSHING	1	31	191643 HOSE, air, 3/8	1
6	100840 FITTING, elbow, street	2	32	16H355 TUBE, drain	1
7	113292 VALVE, ball, 3 way	1	37	16H060 LABEL, pressure on/off	1
8	17U020 FITTING	1	39	106228 FITTING, tee, street	1
9	16U377 CAP, hose	6	40	100509 PLUG, pipe	1
10	111834 NIPPLE, pipe, hex	6	41	162453 FITTING, 1/4 npsm x 1/4 npt	2
11	113291 REGULATOR, air	1	42	512616 HOSE, coupled, 061120	1
12	100017 SCREW, cap, hex hd	2	43	15A552 SEAL, replacement	1
13	100696 WASHER, plain	30	44	17T001 SIGHTGLASS, bead tank	2
14	801020 NUT, lock, hex	15	45	17U279 CABLE, lanyard	1
19	104655 GAUGE, press air	1	46	156306 WASHER, flat	1
20	191267 HOSE, air	1	47	C19187 NUT, hex	1
21	157191 FITTING, adapter (1/2 npt x 3/4 npt)	1	48	101147 SCREW, cap, hex	1
22	157785 FITTING, swivel	1	49	115211 SCREW, cap, hex	12
24	164259 FITTING, elbow, street	1	50	119400 SEALANT, pipe, SST	1
25	166999 FITTING, elbow, street	1			

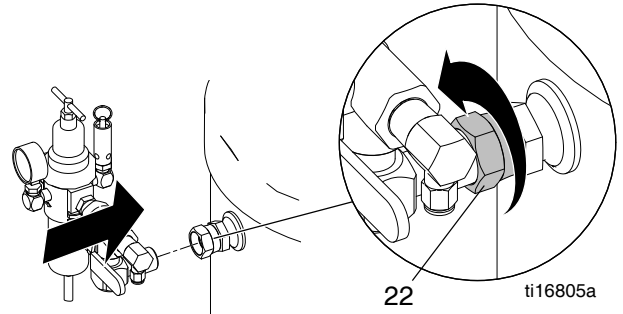
1350 lb. Bead Tank (25D641) Installation

1. Mount bead tank (1) at three locations.

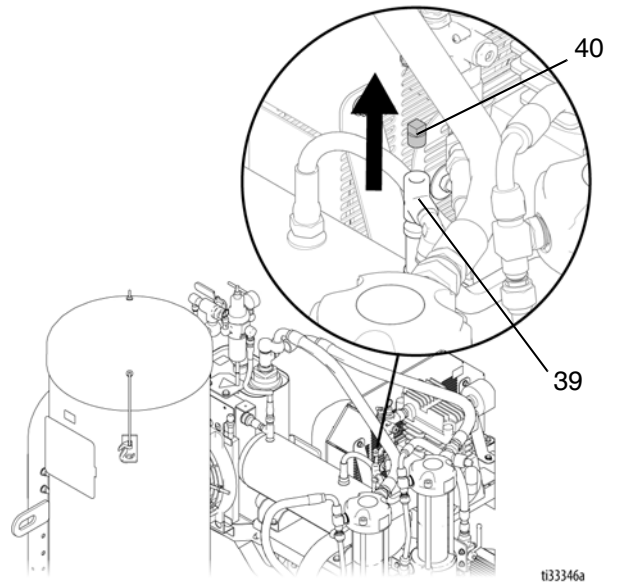
NOTE: It is recommended to secure tank to the frame of the vehicle.



2. Connect air regulator assembly to bead tank air inlet and tighten swivel (22).

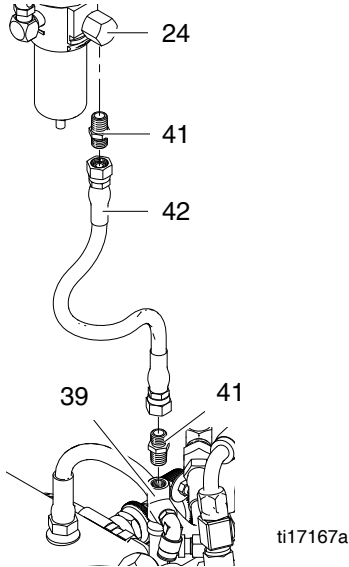


3. Remove plug (40) from T-fitting (39) assembled to air tank on RoadPak unit.



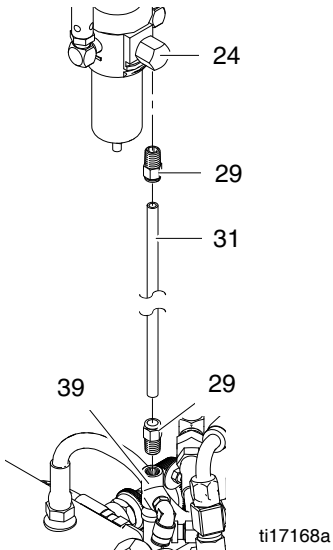
If assembling second bead tank to RoadPak frame:

4. Apply thread sealant to fitting (41) and tighten to T-fitting (39). Apply thread sealant to fitting (41) and tighten to elbow fitting (24). Connect coupled hose (42) to fittings (41).

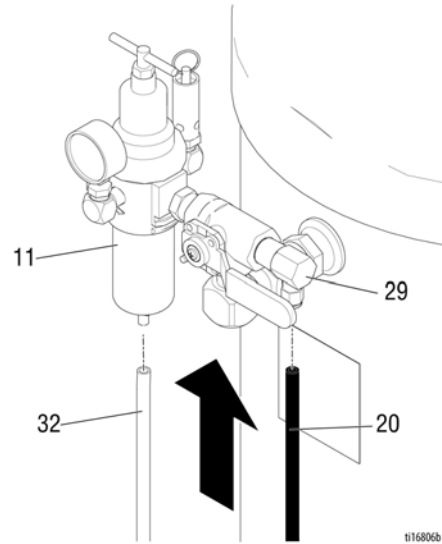


If assembling second bead tank to remote location:

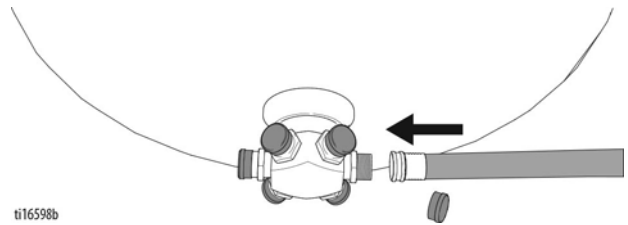
5. Tighten air fitting (29) to T-fitting (39). Tighten air fitting (29) to elbow fitting (24). Cut air hose (31) to desired length and connect to air fittings (29).



6. Connect dark hose (20) into air fitting (29) and clear hose (32) to bottom of air regulator (11). Route to desired location for draining.

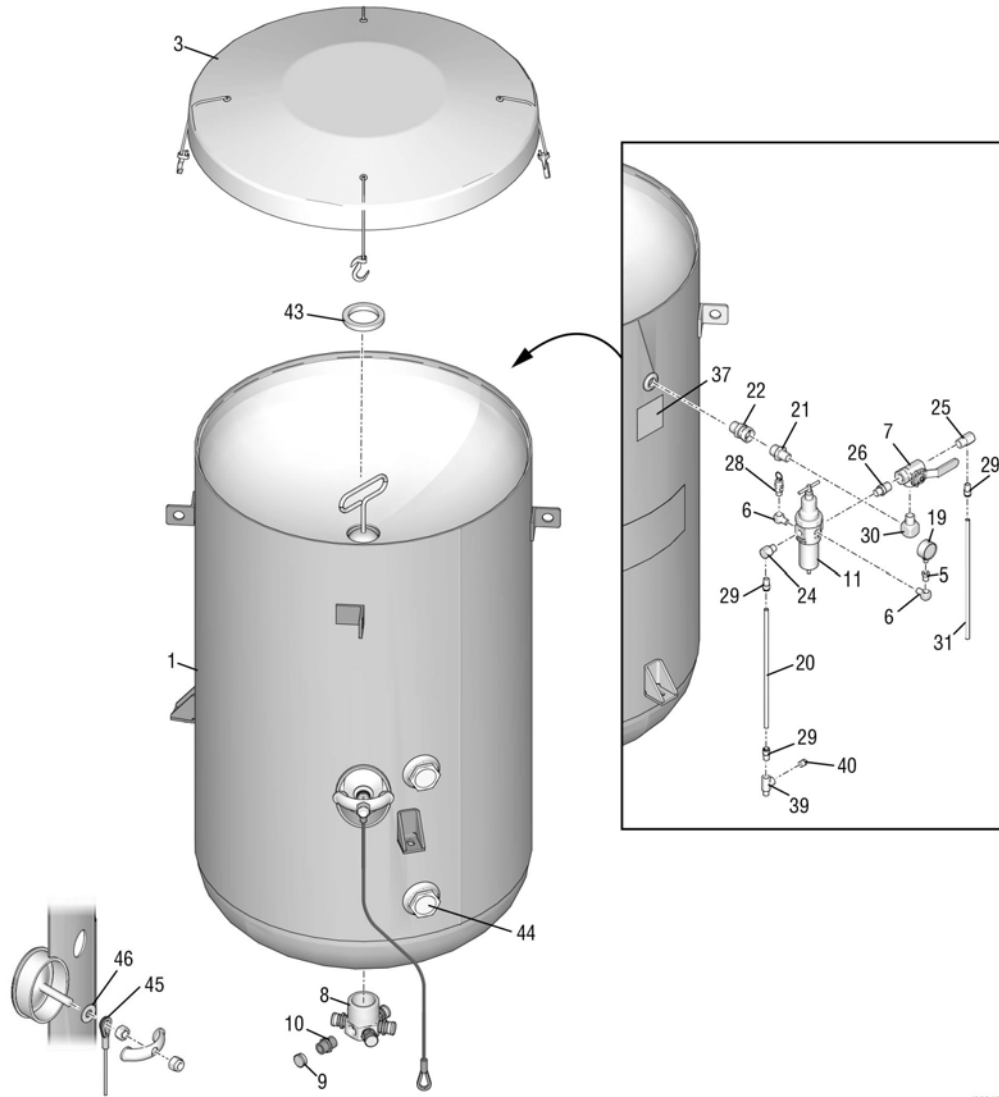


7. Connect bead hose (not included) to bottom of bead tank (1).



NOTE: Bead tank kit comes with six caps (9) shipped with hose kit.

Parts



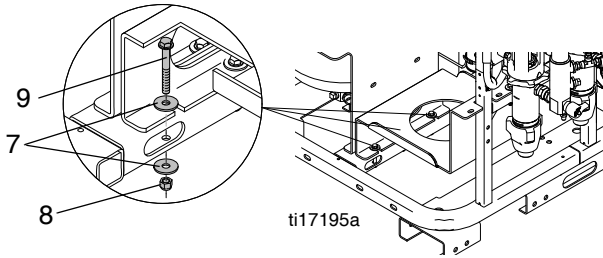
633348a

Ref.	Part	Description	Qty.	Ref.	Part	Description	Qty.
1	17T934	TANK, bead, 36 gal., painted	1	26	159239	FITTING, nipple, pipe, rdcg	1
3	17S725	COVER, bead tank	1	28	108124	VALVE, safety, 75 psi	1
4	119771	STRAP, cover	4	29	113319	FITTING, air	3
5	100030	BUSHING	1	30	158683	FITTING, elbow, 90 deg	1
6	100840	FITTING, elbow, street	2	31	191643	HOSE, air, 3/8	1
7	113292	VALVE, ball, 3 way	1	32	16H355	TUBE, drain	1
8	17U020	FITTING	1	37	16H060	LABEL, pressure on/off	1
9	16U377	CAP, hose	6	39	106228	FITTING, tee, street	1
10	111834	NIPPLE, pipe, hex	6	40	100509	PLUG, pipe	1
11	113291	REGULATOR, air	1	41	162453	FITTING, 1/4 npsm x 1/4 npt	2
12	100017	SCREW, cap, hex hd	2	42	512616	HOSE, coupled, 061120	1
13	109570	WASHER, plain	6	43	15A552	SEAL, replacement	1
14	801020	NUT, lock, hex	3	44	17T001	SIGHTGLASS, bead tank	2
19	104655	GAUGE, press air	1	45	17U279	CABLE, lanyard	1
20	191267	HOSE, air	1	46	156306	WASHER, flat	1
21	157191	FITTING, adapter (1/2 npt x 3/4 npt)	1	47	C19187	NUT, hex	1
22	157785	FITTING, swivel	1	48	101147	SCREW, cap, hex	1
24	164259	FITTING, elbow, street	1	49	119400	SEALANT, pipe, SST	1
25	166999	FITTING, elbow, street	1				

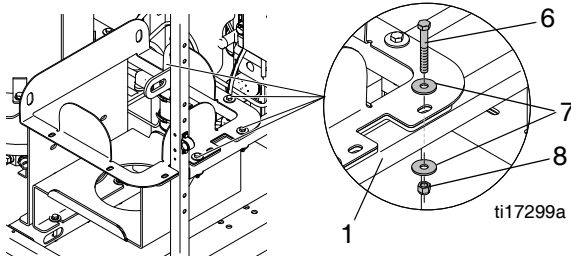
33 Gallon Paint Tank Kit (24G769)

If Installing to RoadPak Frame:

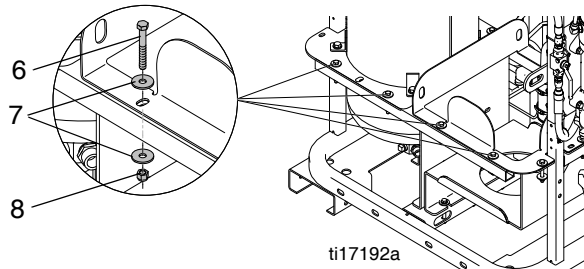
1. Place paint tank bracket (1) into position on frame.
2. Install three bolts (9) and washers (7) on bottom of support bracket (1). Thread nuts (8) onto bolts and torque to 15 ft-lb (20.3 N•m).



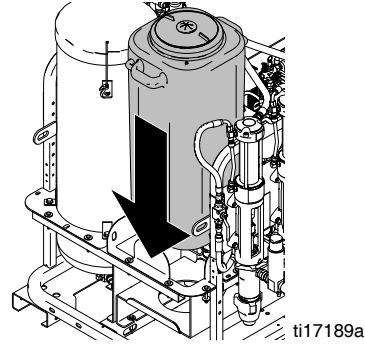
3. Install four bolts (6) and washer (7) to secure sleeve bracket (2) and support bracket (1) to the frame. Thread nuts (8) onto bolts and torque to 15 ft-lb.



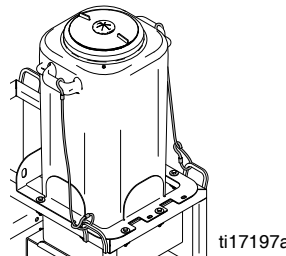
4. Install two bolts (6) and washer (7) to support bar (14) and paint tank bracket (2). Thread nuts (8) onto bolts and torque to 15 ft-lb (20.3 N•m). Install two bolts (6) and washer (7) to support bar (14) and to bead tank bracket. Thread nuts (8) onto bolts and torque to 15 ft-lb (20.3 N•m).



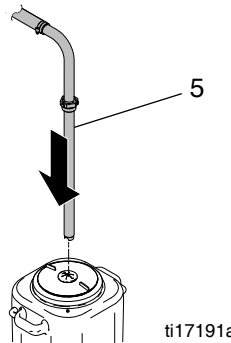
5. Insert paint tank (3) into sleeve bracket.



6. Secure paint tank with tie-down straps.

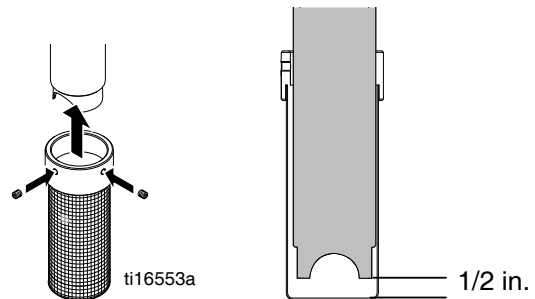


7. Insert suction tube (with strainer removed) through top grommet (5).



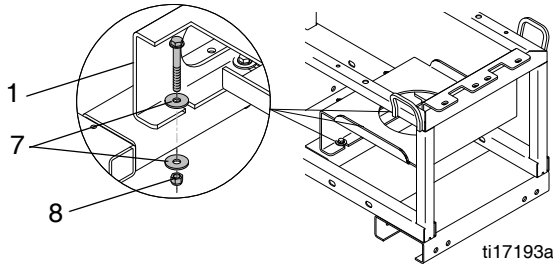
NOTE: Optional Bottom Feed Fittings Kit 24J149 is available for paint tank.

8. Connect strainer onto suction set. Strainer should be about 1/2 in. from bottom of suction set.

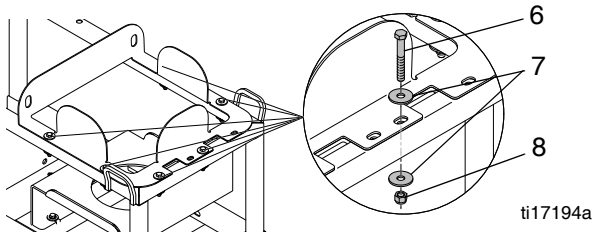


If Installing to RoadPak Accessory Frame:

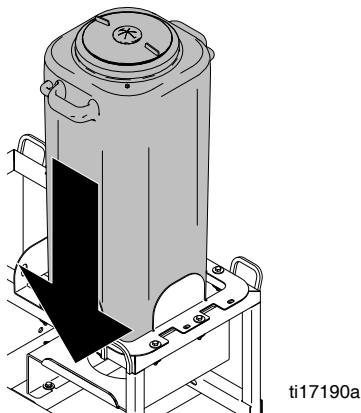
1. Place paint tank bracket (1) into position on frame.
2. Install three bolts (9) and washers (7) on bottom of support bracket (1). Thread nuts (8) onto bolts and torque to 15 ft-lb (20.3 N•m).



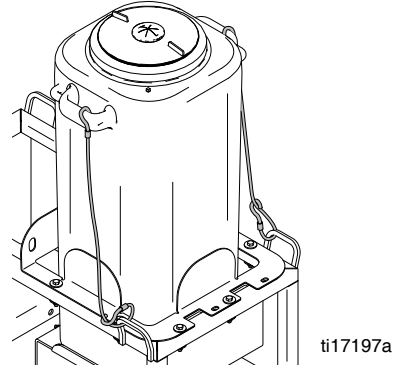
3. Install six bolts (6) and washer (7) to secure sleeve bracket (2) and support bracket (1) to the accessory frame. Thread nuts (8) onto bolts and torque to 15 ft-lb (20.3 N•m).



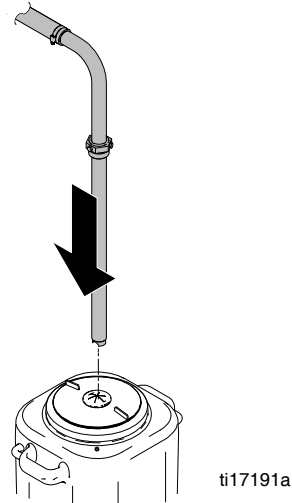
4. Insert paint tank (3) into sleeve bracket.



5. Secure paint tank with tie-down straps.

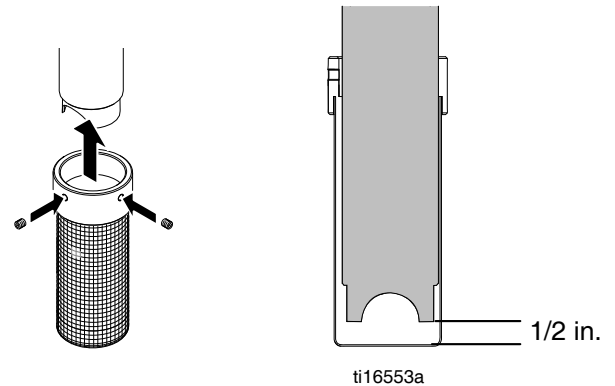


6. Insert suction tube (with strainer removed) through top grommet (5).

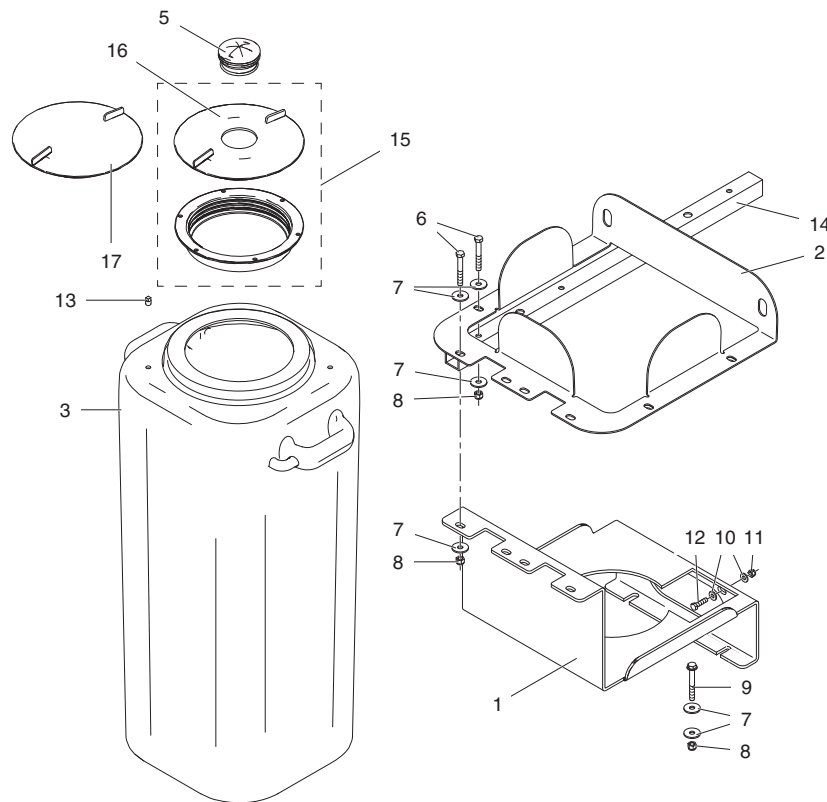


NOTE: Optional Bottom Feed Fittings Kit 24J149 is available for paint tank.

7. Connect strainer onto suction set. Strainer should be about 1/2 in. from bottom of suction set.



Parts



ti17166b

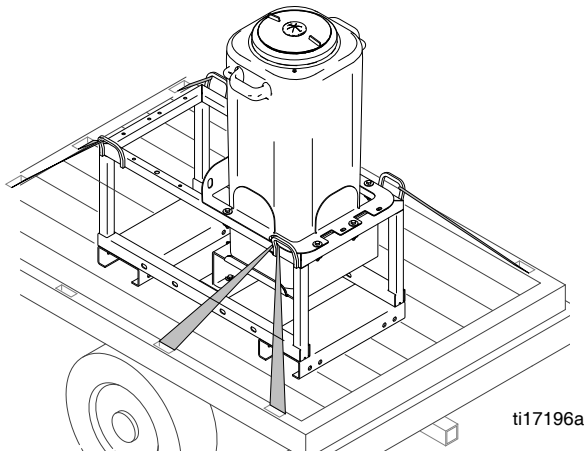
Parts List

Ref.	Part	Description	Qty
1	24H831	BRACKET, Roadpak paint tank, painted	1
2	24H832	SLEEVE, Roadpak, painted	1
3	24J353	TANK, paint, with 8 in. man-way (includes 15)	1
5	194420	GROMMET, hopper	1
6	106212	SCREW, cap, hex HD	8
7	108851	WASHER, plain	22
8	101566	NUT, lock	11
9	125626	SCREW, cap, flnghd	3
10	100527	WASHER, plain	4
11	111040	NUT, lock, insert, Nylock, 5/16	2
12	100521	SCREW, cap hex HD	2
13	107570	PLUG, pipe, square HD	1
14	24J370	SUPPORT, paint tank sleeve, painted	1
15	16J474	COVER, with opening and bulk-head rim	1
16	16J473	COVER, with opening	1
17	125240	COVER, without opening	1

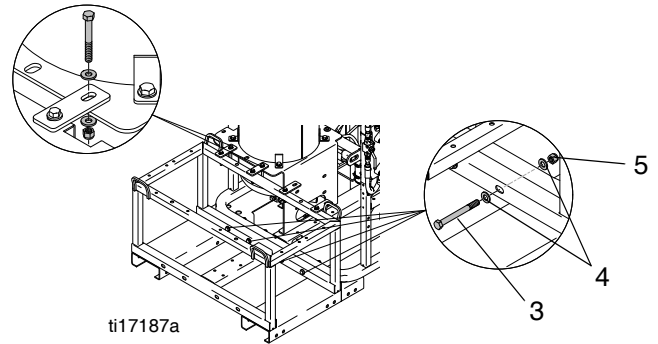
Accessory Frame Kit 24H585

Installation

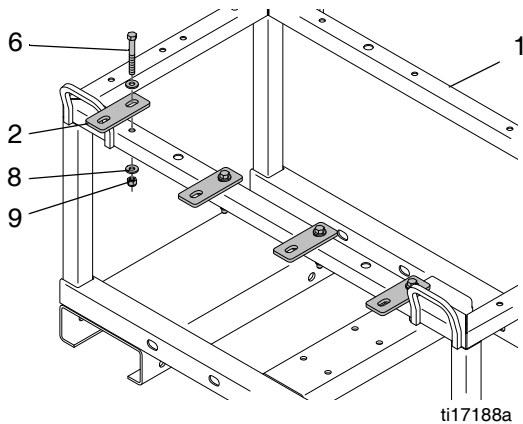
1. Load assembled accessory frame to desired location on vehicle.
2. Secure the accessory frame by strapping all four corners down to the vehicle or by bolting the accessory frame to the RoadPak frame.



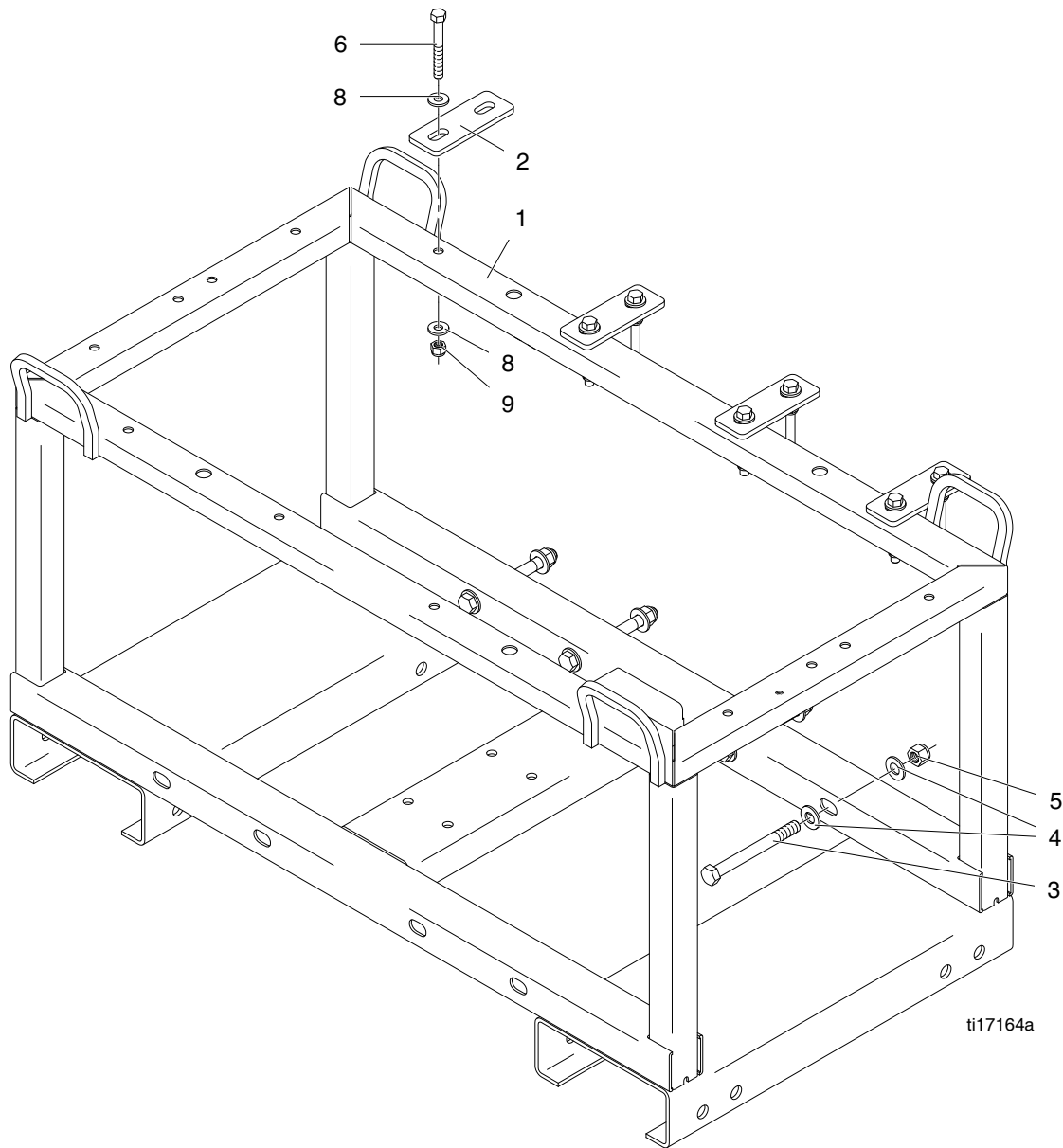
4. Install four bolts (3) and washers (4) to connect accessory frame (1) and RoadPak frame. Thread nuts (5) to bolts and torque to 27 ft-lb (36.6 N•m).



3. **If bolting to RoadPak frame:** Assemble four frame straps (2) to accessory frame (1) and to RoadPak frame by installing eight bolts (6) and washers (8). Thread nuts (9) onto bolts and torque to 15 ft-lb (20.3 N•m).



Parts



Parts List

Ref.	Part	Description	Qty
			.
1	24H826	FRAME, Roadpak accessory	1
2	24J016	STRAP, frame, painted	4
3	115211	SCREW, cap, hex HD	4
4	109570	WASHER, plain	8
5	801020	NUT, lock, hex	4
6	100454	SCREW, cap hex HD	8
8	100023	WASHER, flat	16
9	101566	NUT, lock	8

Graco Standard Warranty

Graco warrants all equipment referenced in this document which is manufactured by Graco and bearing its name to be free from defects in material and workmanship on the date of sale to the original purchaser for use. With the exception of any special, extended, or limited warranty published by Graco, Graco will, for a period of twelve months from the date of sale, repair or replace any part of the equipment determined by Graco to be defective. This warranty applies only when the equipment is installed, operated and maintained in accordance with Graco's written recommendations.

This warranty does not cover, and Graco shall not be liable for general wear and tear, or any malfunction, damage or wear caused by faulty installation, misapplication, abrasion, corrosion, inadequate or improper maintenance, negligence, accident, tampering, or substitution of non-Graco component parts. Nor shall Graco be liable for malfunction, damage or wear caused by the incompatibility of Graco equipment with structures, accessories, equipment or materials not supplied by Graco, or the improper design, manufacture, installation, operation or maintenance of structures, accessories, equipment or materials not supplied by Graco.

This warranty is conditioned upon the prepaid return of the equipment claimed to be defective to an authorized Graco distributor for verification of the claimed defect. If the claimed defect is verified, Graco will repair or replace free of charge any defective parts. The equipment will be returned to the original purchaser transportation prepaid. If inspection of the equipment does not disclose any defect in material or workmanship, repairs will be made at a reasonable charge, which charges may include the costs of parts, labor, and transportation.

THIS WARRANTY IS EXCLUSIVE, AND IS IN LIEU OF ANY OTHER WARRANTIES, EXPRESS OR IMPLIED, INCLUDING BUT NOT LIMITED TO WARRANTY OF MERCHANTABILITY OR WARRANTY OF FITNESS FOR A PARTICULAR PURPOSE.

Graco's sole obligation and buyer's sole remedy for any breach of warranty shall be as set forth above. The buyer agrees that no other remedy (including, but not limited to, incidental or consequential damages for lost profits, lost sales, injury to person or property, or any other incidental or consequential loss) shall be available. Any action for breach of warranty must be brought within two (2) years of the date of sale.

GRACO MAKES NO WARRANTY, AND DISCLAIMS ALL IMPLIED WARRANTIES OF MERCHANTABILITY AND FITNESS FOR A PARTICULAR PURPOSE, IN CONNECTION WITH ACCESSORIES, EQUIPMENT, MATERIALS OR COMPONENTS SOLD BUT NOT MANUFACTURED BY GRACO. These items sold, but not manufactured by Graco (such as electric motors, switches, hose, etc.), are subject to the warranty, if any, of their manufacturer. Graco will provide purchaser with reasonable assistance in making any claim for breach of these warranties.

In no event will Graco be liable for indirect, incidental, special or consequential damages resulting from Graco supplying equipment hereunder, or the furnishing, performance, or use of any products or other goods sold hereto, whether due to a breach of contract, breach of warranty, the negligence of Graco, or otherwise.

FOR GRACO CANADA CUSTOMERS

The Parties acknowledge that they have required that the present document, as well as all documents, notices and legal proceedings entered into, given or instituted pursuant hereto or relating directly or indirectly hereto, be drawn up in English. Les parties reconnaissent avoir convenu que la rédaction du présente document sera en Anglais, ainsi que tous documents, avis et procédures judiciaires exécutés, donnés ou intentés, à la suite de ou en rapport, directement ou indirectement, avec les procédures concernées.

Graco Information

For the latest information about Graco products, visit www.graco.com.

For patent information, see www.graco.com/patents.

TO PLACE AN ORDER, contact your Graco distributor or call 1-800-690-2894 to identify the nearest distributor.

*All written and visual data contained in this document reflects the latest product information available at the time of publication.
Graco reserves the right to make changes at any time without notice.
Original instructions. This manual contains English. MM 3A1302*

Graco Headquarters: Minneapolis
International Offices: Belgium, China, Japan, Korea
GRACO INC. P.O. BOX 1441 MINNEAPOLIS, MN 55440-1441

Copyright 2010, Graco Inc. is registered to ISO 9001

www.graco.com
Revised E, February 2018