

# GMAX™ II 3900/5900/7900 TexSpray™ 5900HD/7900HD Airless Sprayers

3A0244G

Korean patent: 10-0647761

EN

**- For Portable Airless Spraying of Architectural Coatings and Paints. For professional use only.  
Not for use in explosive atmospheres.-**

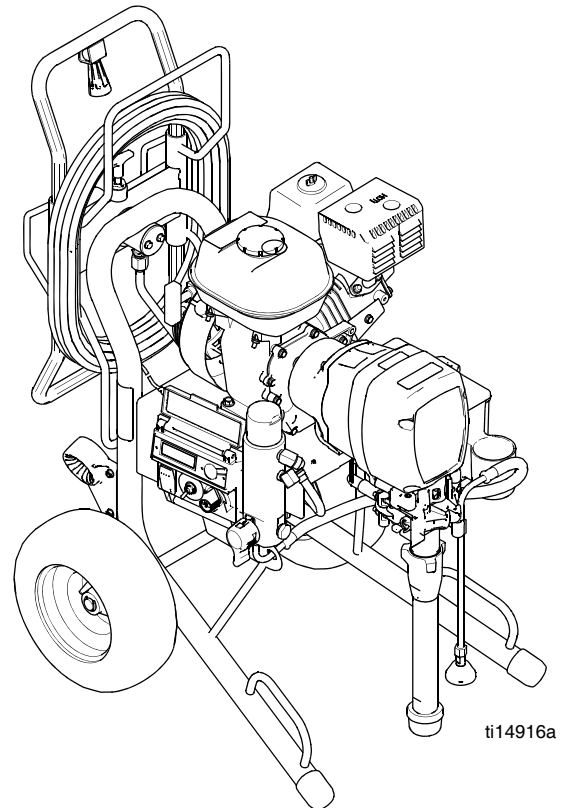
3300 psi (22.8 MPa, 228 bar) Maximum Working Pressure



**IMPORTANT SAFETY INSTRUCTIONS**

Read all warnings and instructions in this manual. Save these instructions.

GMAX 3900				
Model	Hi-Boy Premium (QuikReel)	Hi-Boy Standard	Lo-Boy Premium (QuikReel)	Lo-Boy Standard
248683				✓
248684		✓		
249335		✓		
258731	✓			
258736			✓	
GMAX 5900				
Model	Hi-Boy Premium (QuikReel)	Hi-Boy Standard	Lo-Boy Premium (QuikReel)	Lo-Boy Standard
248687				✓
248688		✓		
258732	✓			
258737			✓	
TexSpray 5900 HD				
Model	Hi-Boy Premium (QuikReel)	Hi-Boy Standard	Lo-Boy Premium (QuikReel)	Lo-Boy Standard
258734	✓			
GMAX 7900				
Model	Hi-Boy Premium (QuikReel)	Hi-Boy Standard	Lo-Boy Premium (QuikReel)	Lo-Boy Standard
248700				✓
248701		✓		
258733	✓			
258738			✓	
GMAX 7900				
Model	Hi-Boy Premium (QuikReel)	Hi-Boy Standard	Lo-Boy Premium (QuikReel)	Lo-Boy Standard
258735	✓			



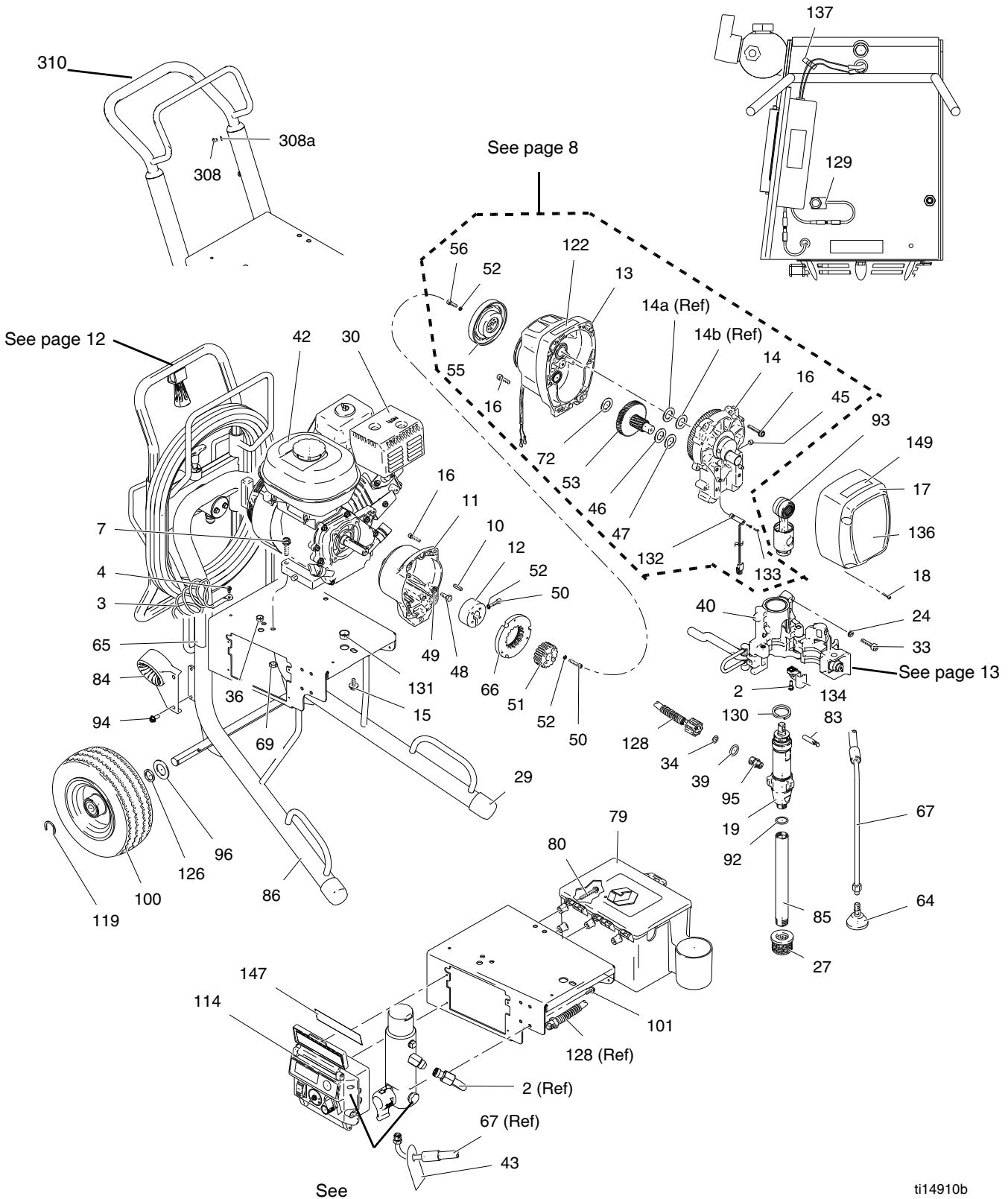
ti14916a

**Related Manuals:**

**Operation** 3A0242  
**Repair** 3A0243  
**Gun** 311861



# GMAX II 3900



ti14910b

# Parts List

Ref.	Part	Description	Qty.	Ref.	Part	Description	Qty.
2	119250	SCREW, shoulder	1	72	15F250	WASHER, thrust	1
3	237686	WIRE, ground assembly w/ clamp	1	79★	287253	TOOL BOX (includes 94)	1
4	112798	SCREW, thread forming, hex hd	1	80★	118852	SCREW, thd forming, hex washer hd	3
5	16C384	TUBE, 3900	1				
7	110837	SCREW, flange, hex	2	83	15F109	PIN, pump, 3900	1
10	183401	KEY, parallel	1	85	15E807	TUBE, intake	1
11	15E535	HOUSING, clutch, machine	1	86		FRAME	
12	193680	COLLAR, shaft	1		24D045	PREMIUM, hose reel	1
13	287463	HOUSING, pinion, 3900	1		287411	STANDARD, cart	1
14	287467	HOUSING, drive, 3900	1	92	118494	PACKING, o-ring	1
15	112395	SCREW, cap, flng HD	1	93	287471	ROD, connecting 3900	1
16	119426	SCREW, mach, hex washer HD	10	94	117633	SCREW, slot hex wash hd	2
17	287521	COVER, front, 3900 (includes 18)	1	95	15E802	FITTING	1
18	118444	SCREW, mach, slot hex wash hd	4	96	156306	WASHER, flat	2
19	287512	PUMP, displacement 3900 (includes 85, 92, and 95)	1	100	119420	WHEEL, pneumatic	2
				101	113161	SCREW, flange, hex hd	3
24	104008	WASHER, lock, spring	4	114		BOX, control	
27	189920	STRAINER, (1-11 1/2 NPSM)	1		287554	PREMIUM	1
29	15C871	CAP, leg	2		256000	STANDARD	1
30	108879	ENGINE, gasoline, 4.0 HP	1	119	15E891	CLIP, retaining	2
33	113467	SCREW, cap, socket hd	4	122▲	290228	LABEL, caution	1
34	111457	PACKING, o-ring	2	126	116038	WASHER, wave spring	2
36	114678	BUSHING, strain relief	1	128	287419	HOSE, coupled	1
39	119790	PACKING, o-ring	1	129	119579	CONDUCTOR, ground	1
40	287932	HOUSING, bearing 3900	1	130	119676	SPRING, retaining	1
42▲	194126	LABEL, warning	1	131	119569	BUSHING, strain relief	1
45	116618	MAGNET	1	132★	119562	SWITCH, reed w/connector	1
46	114699	WASHER, thrust	1	133	114528	SCREW, mach, phillips, pnhd	2
47	114672	WASHER, thrust	1	134	278204	CLIP, drain line	1
48	108842	SCREW, cap, hex hd	4	135★	15F354	FUNNEL, oil	1
49	100214	WASHER, lock	4	136	15E851	LABEL, front, GMAX II 3900	1
50†	108803	SCREW, hex, socket head	6	137	114687	CLIP, retainer	1
51†		HUB, armature	1	147	15E854	LABEL, identification	1
52†	105510	WASHER, lock, spring (hi-collar)	10	149	15F584	LABEL, Proconnect	1
53	287653	GEAR, combination 3900	1	308	109032	SCREW, mach, pnh	4
55†		ROTOR, clutch, 4 in.	1	308a	100020	WASHER, lock, 3900 only	4
56†	101682	SCREW, cap, sch	4	310	287489	HANDLE, cart (standard only)	1
64	241920	DEFLECTOR, threaded	1				
65▲	15F638	LABEL, GMAX warning fire & skin	1				
66†		ARMATURE, clutch, 4 in.	1				
67	244240	HOSE, coupled (includes 64)	1				
69	110838	NUT, lock	2				

▲ Replacement Danger and Warning Labels, Tags and Cards are available at no cost.

† Included in Clutch Replacement Kit 241109.

★ Premium units only.



## Parts List

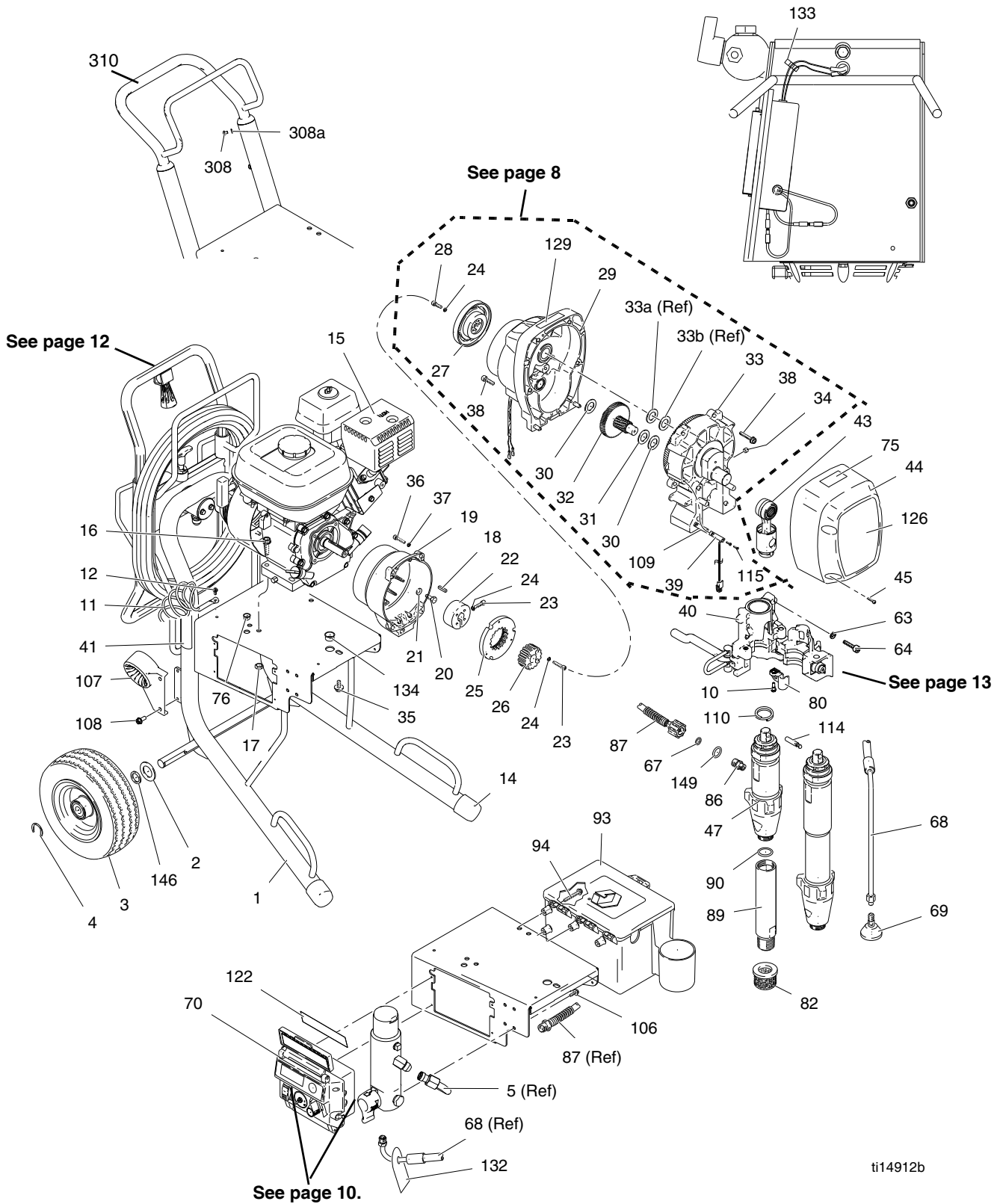
Ref.	Part	Description	Qty.	Ref.	Part	Description	Qty.
1		FRAME, cart			287579	5900HD (includes 86)	1
	24D047	PREMIUM, hose reel	1	67	111457	PACKING, o-ring	2
	287370	STANDARD, cart	1	68	244240	HOSE, coupled (includes 69)	1
2	156306	WASHER, flat	2	69	241920	DEFLECTOR, threaded	1
3	119509	WHEEL, pneumatic	2	76	114678	BUSHING, strain relief	1
4	15E891	CLIP, retaining	2	79	278204	CLIP, drain line	1
5	16C381	TUBE, hydraulic, GMAX 5900/7900	1	82	189920	STRAINER, (1-11 1/2 NPSM)	1
10	119250	SCREW, shoulder	1	86	15E802	FITTING	1
11	237686	WIRE, ground assembly w/ clamp	1	87	287419	HOSE, coupled	1
12	112798	SCREW, thread forming, hex HD	1	89	248215	TUBE, intake	1
14	276974	CAP, leg	2	90	118494	PACKING, o-ring	1
15	114530	ENGINE, gas, 5.5 HP, Honda	1	93	287253	TOOL BOX (includes 94)	1
16	110837	SCREW, flange, hex	2	94★	118852	SCREW, THD forming, hex washer HD	3
17	110838	NUT, lock	2	99	113161	SCREW, flange, hex HD	3
18	183401	KEY, parallel	1	100	278083	GUIDE, hose	1
19	15E277	HOUSING, clutch, mach 5900/7900	1	101	117633	SCREW, slot hex wash HD	2
20	108842	SCREW, cap, hex HD	4	107	15F110	PIN, pump, 5900	1
21	100214	WASHER, lock	4	108★	114528	SCREW, mach, phillips, pnhd	2
22	193680	COLLAR, shaft	1	115	15E854	LABEL, identification	1
23†	108803	SCREW, hex, socket head	6	119		LABEL, front, GMAX II 5900	
24†	105510	WASHER, lock, spring (hi-collar)	10		15E852	5900	1
25†		ARMATURE, clutch, 5 in.	1		15E980	5900HD	1
26†		HUB, armature	1	120▲	15F638	LABEL, GMAX warning fire & skin	1
27†		ROTOR, clutch, 5 in.	1	121▲	194126	LABEL, warning	1
28†	101682	SCREW, cap, sch	4	122▲	290228	LABEL, caution	1
29	287465	HOUSING, pinion, 5900	1	125▲	195119	LABEL, warning	1
30	114672	WASHER, thrust	2	127	119569	BUSHING, strain relief	1
31	114699	WASHER, thrust	1	130		BOX, control	
32	287460	GEAR, combination 5900	1		287554	PREMIUM	1
33	287469	HOUSING, drive 5900	1		256000	STANDARD	1
34	116618	MAGNET	1	132	119778	SPRING, retaining	1
35	112395	SCREW, cap, flng HD	1	133	114687	CLIP, retainer	1
37	104008	WASHER, lock, spring	4	134	15F354	FUNNEL, oil	1
38	15C753	SCREW, mach, hex wash hd	6	143	116038	WASHER, wave spring	2
39	119562	SWITCH, reed w/connector	1	146	15F584	LABEL, Proconnect	1
40	287933	HOUSING, bearing 5900	1	160	119790	PACKING, o-ring	1
41	114666	SCREW, cap, socket head	4	308	108795	SCREW, mach, pnh	4
42	106115	WASHER, lock (hi-collar)	4	308a	100020	WASHER, lock, 3900 only	4
43	287472	ROD, connecting 5900	1	310	287489	HANDLE, cart (standard only)	1
44	287511	COVER, front, 5900 (includes 45)	1				
45	118444	SCREW, mach, slot hex wash HD	4				
47		PUMP, displacement					
	287513	5900 (includes 86, 89, 90)	1				

▲ Replacement Danger and Warning Labels, Tags and Cards are available at no cost.

† Included in Clutch Replacement Kit 241113.

★ Premium units only.

# GMAX II 7900/TexSpray 7900 HD



ti14912b

## Parts List

Ref.	Part	Description	Qty.	Ref.	Part	Description	Qty.
1		FRAME		64	112599	SCREW, cap, socket head	4
	24D047	PREMIUM, hose reel	1	67		O-RING	
	287370	STANDARD, cart	1		111457	7900	2
2	156306	WASHER, flat	2		109450	TexSpray 7900HD	2
3	119509	WHEEL, pneumatic	2	68	244240	HOSE, coupled (includes 69)	1
4	15E891	CLIP, retaining	2	69	241920	DEFLECTOR, threaded	1
5	16C381	TUBE, hydraulic, GMAX 5900/7900	1	70		BOX, control	
10	119250	SCREW, shoulder	1		287554	PREMIUM	1
11	237686	WIRE, ground assembly w/ clamp	1		256000	STANDARD	1
12	112798	SCREW, thread forming, hex HD	1	75	15F584	LABEL, Proconnect	1
14	276974	CAP, leg	2	76	114678	BUSHING, strain relief	1
15	116080	ENGINE, gas, 6.5 HP, Honda	1	82	189920	STRAINER, (1-11 1/2 NPSM)	1
16	110837	SCREW, flange, hex	2	86		FITTING, pump	
17	110838	NUT, lock	2		15E802	7900	1
18	183401	KEY, parallel	1		15G509	TexSpray 7900HD	1
19	15E277	HOUSING, clutch, mach (5900/7900)	1	87		HOSE, coupled	
20	108842	SCREW, cap, hex HD	4		287419	7900	1
21	100214	WASHER, lock	4		289282	TexSpray 7900HD	1
22	193680	COLLAR, shaft	1	89	248215	TUBE, intake	1
23†	108803	SCREW, hex, socket head	6	90	118494	PACKING, o-ring 7900	1
24†	105510	WASHER, lock, spring	10		C20195	PACKING, o-ring 7900 HD	1
25†		ARMATURE, clutch, 5 in.	1	93	287253	TOOL BOX (includes 94)	1
26†		HUB, armature	1	94	118852	SCREW, THD forming, hex washer HD	3
27†		ROTOR, clutch, 5 in.	1	106	113161	SCREW, flange, hex HD	3
28†	101682	SCREW, cap, sch	4	107★	278083	GUIDE, hose	1
29	287466	HOUSING, pinion 7900	1	108★	117633	SCREW, slot hex wash HD	2
30	114672	WASHER, thrust	2	109★	15F947	SHIELD, magnetic	1
31	114699	WASHER, thrust	1	110	119677	SPRING, retaining	1
32	287459	GEAR, combination 7900	1	114	15F097	PIN, pump, 7900	1
33	287470	HOUSING, drive 7900	1	115★	114528	SCREW, mach, phillips, pnhd	2
34	116618	MAGNET	1	121▲	194126	LABEL, warning	1
35	112395	SCREW, cap, flng HD	1	122	15E854	LABEL, identification	1
36	102962	SCREW, cap sch	4	126	15E853	LABEL, identification	1
37	104008	WASHER, lock, spring	4	129	290228	LABEL, caution	1
38	15C753	SCREW, mach, hex wash HD	6	132▲	195119	LABEL, warning	1
39	119562	SWITCH, reed w/connector	1	133	114687	CLIP, retainer	1
40	287934	HOUSING, bearing (7900)	1	134	119569	BUSHING, strain relief	1
41▲	15F638	LABEL, GMAX warning fire & skin	1	146	116038	WASHER, wave spring	2
43	287473	ROD, connecting 7900	1	149		O-RING	
44	287520	COVER, front, 7900 (includes 45)	1		119790	7900	1
45	118444	SCREW, mach, slot hex wash HD	4		109450	TexSpray 7900HD	1
47	249122	PUMP, displacement 7900 (includes 86, 89, 90)	1	308	108795	SCREW, mach, pnh	4
	289590	PUMP, displacement 7900 HD (includes 86, 90)		308a	100020	WASHER, lock, 3900 only	4
63	112600	WASHER, lock, spring	4	310	287489	HANDLE, cart	1

▲ Replacement Danger and Warning Labels, Tags and Cards are available at no cost.

† Included in Clutch Replacement Kit 241113.

★ Premium units only.

# Pinion Housing and Drive Housing

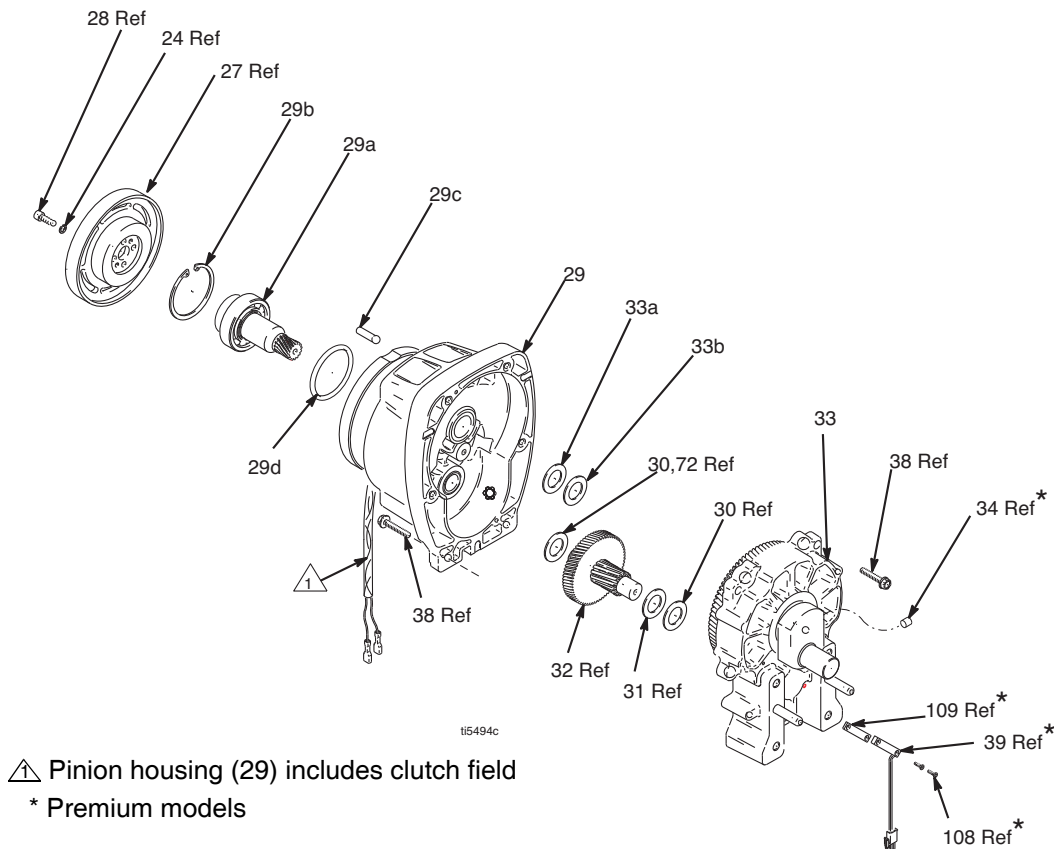
## Ref 429: Pinion Housing

GMAX II 3900: 287463  
 GMAX II 5900: 287465  
 GMAX II 7900: 287466  
 TexSpray 7900HD: 287466

## Ref 433: Drive Housing

GMAX II 3900: 287467  
 GMAX II 5900: 287469  
 GMAX II 7900: 287470  
 TexSpray 7900HD: 287470

Ref.	Part	Description	Qty	Ref	Part	Description	Qty
429		KIT, repair, field	.	433		DRIVE HOUSING	1
	287474	3900	1	433a		WASHER, thrust, steel	
	287476	5900	1		116191	3900	1
	287477	7900/TexSpray 7900HD	1		116192	5900/7900/TexSpray 7900HD	1
429a		GEAR, driving, first		433b		WASHER, thrust, brass	
	287525	3900	1		107089	3900	1
	241114	5900/7900/TexSpray 7900HD	1		194173	5900/7900/TexSpray 7900HD	1
429b		RING, retaining, large					
	113094	3900	1				
	112770	5900/7900/TexSpray 7900HD	1				
429c	105489	PIN, dowel	2				
429d		O-RING					
	165295	3900	1				
	114683	5900/7900/TexSpray 7900HD	1				
433a		WASHER, thrust, steel					
	116191	3900	1				
	116192	5900/7900/TexSpray 7900HD	1				



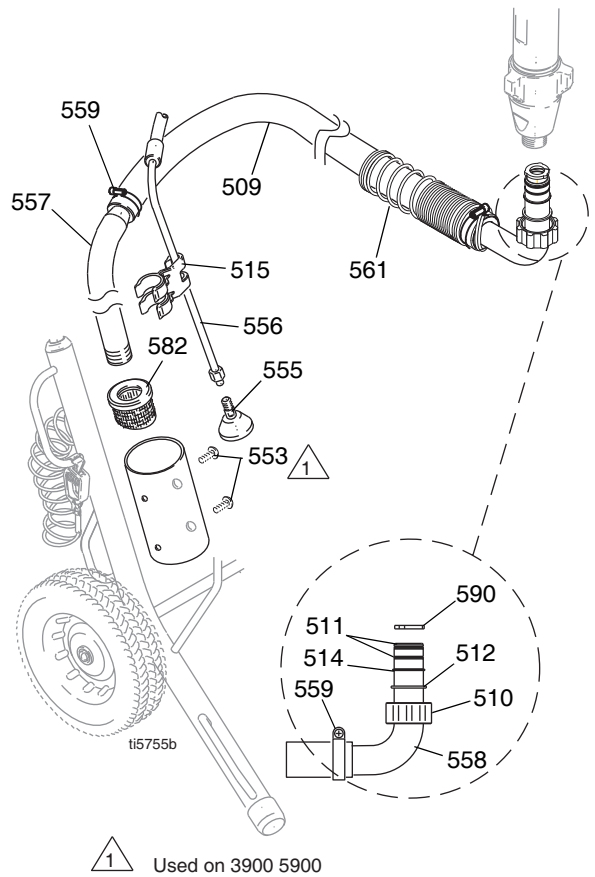


# LoBoy Suction Set Kits

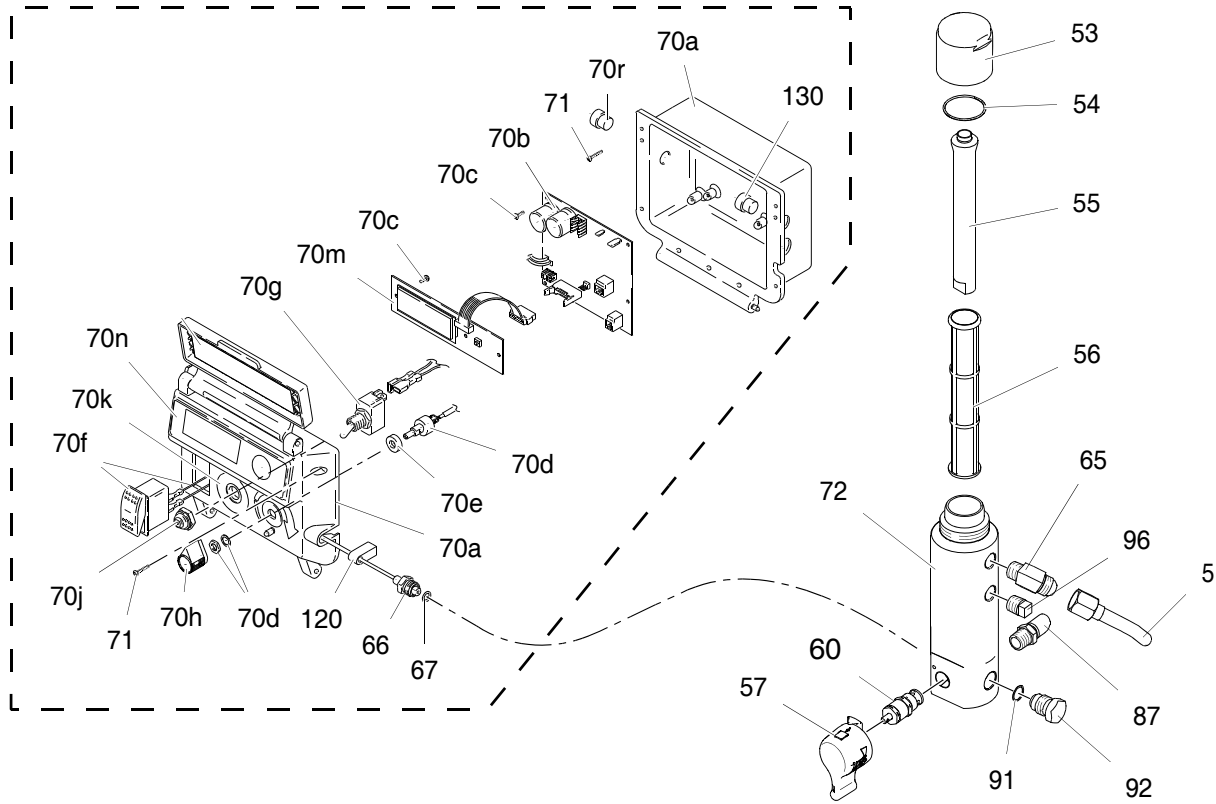
(Kits include suction set and drain hose)

GMAX II 3900/5900/7900 5 Gallon Kit: 287631  
 GMAX II 3900/5900/7900 55 Gallon Kit: 287541

Ref.	Part	Description	Qty
509	288038	HOSE, suction 3900/5900 287988 includes 582, 509 (suction hose), 510, 511, 512, 514, 515, 558, 559	1
	288039	HOSE, suction 7900 288114 includes 582, 509 (suction hose), 510, 511, 512, 514, 515, 558, 559	1
510	15C980	NUT, jam	1
511	15H854	O-RING	2
512	15C981	WASHER, suction, swivel	1
514	118505	RING, retaining, external	1
515		CLIP, drain line	
	15D000	3900/5900	1
	196723	7900	1
553		SCREW	
	108795	3900/5900	2
	NONE	7900 and Hose Reel 3900/5900	
555	241920	DEFLECTOR	1
556		HOSE, drain, includes 155	
	287654	3900/5900	1
	246331	7900	1
557		TUBE, suction	
	15F149	3900/5900	1
	15F171	7900	1
558	15F909	TUBE, angle	1
559	120330	CLAMP, hose	2
560		HOSE, suction	
	15H393	3900/5900	1
	15H787	7900	1
561	176450	GUARD, hose	1
582	189920	STRAINER, 1-11 1/2 npsm	1
590		O-RING	
	115099	3900/5900	1
	119566	7900	1



# Filter and Control Box

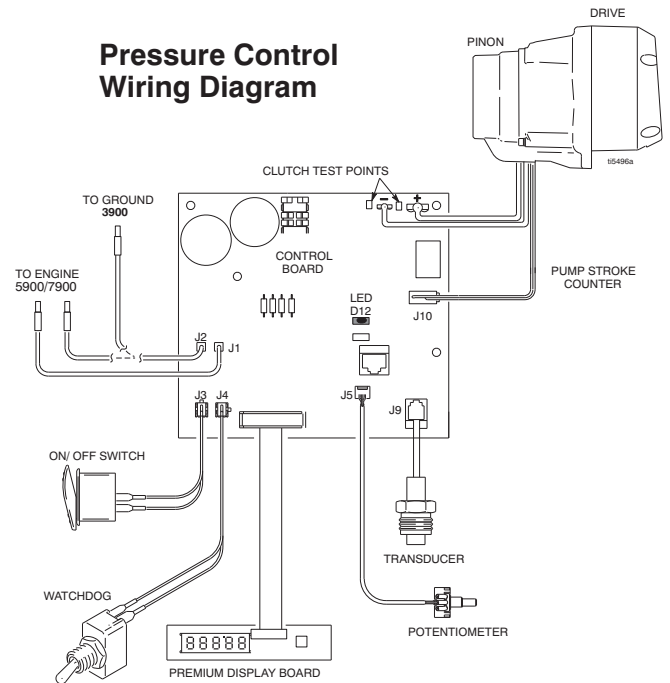


ti15029a

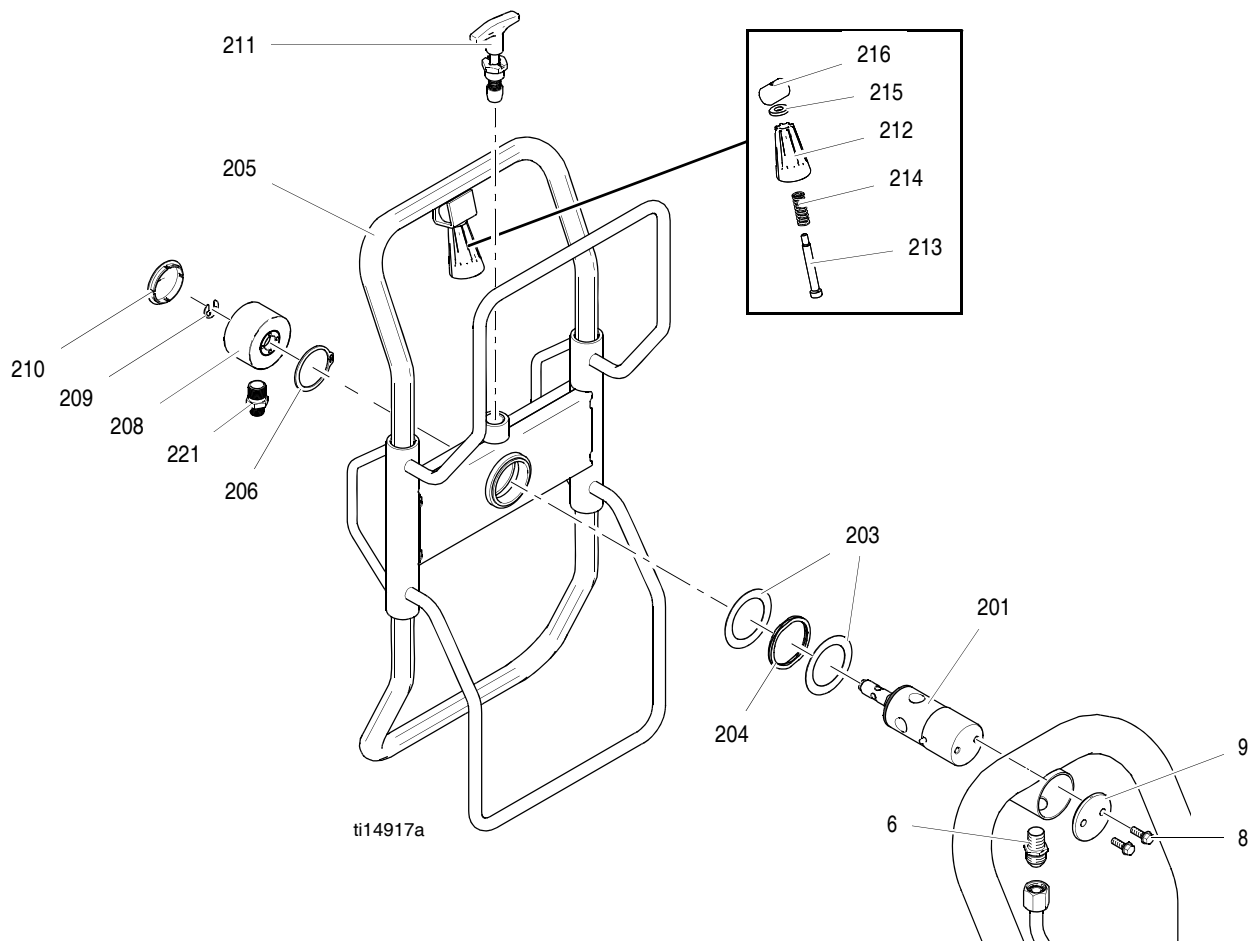
## Filter, Control Box, and Pressure Control Parts List

Ref.	Part	Description	Qty.	Ref.	Part	Description	Qty.
5	16C381	TUBE, GMAX 5900/7900	1	91*	15D541	SEAL, washer	1
	16C384	TUBE, GMAX 3900	1	92*	248314	PLUG, auto clean	1
53 *	15C765	CAP, filter	1	96*	104813	PLUG, pipe	1
54 *	117285	PACKING, o-ring	1	104 *	15C972	PIN, grooved	1
55 *	15C766	TUBE, diffusion	1	120	15E925	GASKET, transducer	1
56	244067	FILTER, fluid	1	130	119545	BUSHING, strain, relief	1
57*	24E234	KIT, handle, 2 position	1				
60*	257352	KIT, HD dump valve	1				
65	122533	FITTING, 45 deg elbow, (all hose reel units)	1				
	* 164672	FITTING, adaptor (3900/5900 non-hose reel)	1				
	162485	FITTING, adaptor (7900, TexSpray 5900HD/7900HD non-hose reel)	1				
66 *	243222	TRANSDUCER, pressure control	1				
67 *	111457	PACKING, o-ring	2				
70		CONTROL BOX					
70a★	249583	BOX, premium	1				
	249584	BOX, standard	1				
70b	24E359	CONTROL, board	1				
70c	117317	SCREW, plastite, pan head	7				
70d	256219	POTENTIOMETER	1				
70e	198650	SPACER, shaft	1				
70f	116752	SWITCH, rocker	1				
70g	119541	SWITCH, toggle	1				
70h	116167	KNOB, potentiometer	1				
70j	195428	BOOT, toggle	1				
70k	15E857	LABEL, identification	1				
70m★	287515	DISPLAY, LCD, GMAX	1				
70n★	15E855	LABEL, Smartcontrol, GMAX II	1				
70r	119545	BUSHING, strain, relief	1				
71	116585	SCREW, pan, X recess, sst	6				
72	15E284	HOUSING, filter	1				
87	287419	HOSE, coupled	1				
	289282	HOSE, coupled (TexSpray 7900HD)	1				

\* Included in Filter Replacement Kit 287510  
 ★ Premium units only.



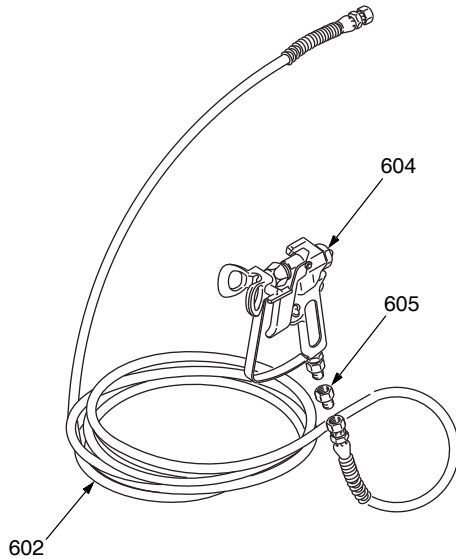
# Hose Reel



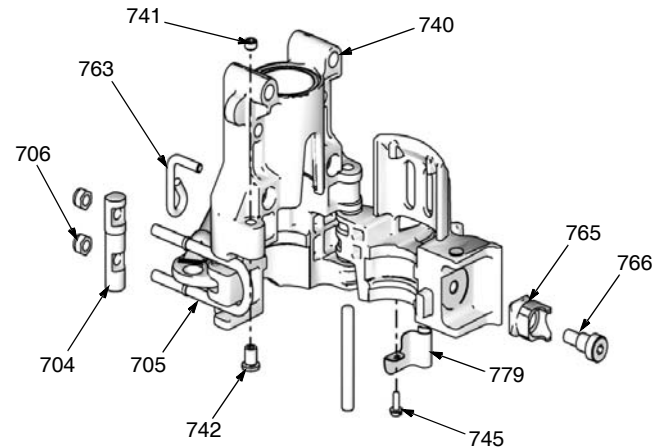
## Parts List

Ref.	Part	Description	Qty.
6	121311	FITTING, connector, NPT x JIC	1
8	260212	SCREW, hex washer HD	2
9	16C975	PLATE, pivot mount	1
201	24E016	TUBE, hose reel, pivot	1
203	122607	WASHER, flat	2
204	122534	SPRING, wave	1
205	24B691	REEL, hose	1
206	122524	RING, retaining, external	1
208	24B248	CAP, swivel, complete	1
209	122347	RING, retaining, external	1
210	122787	CAP	1
211	24E400	PIN, pop, lock out	1
212	278085	HANDLE, swivel	1
213	122518	SCREW, shoulder, sch	1
214	122542	SPRING, die	1
215	122669	WASHER, flat	1
216	15X618	NUT, swivel, handle	1
221	164672	ADAPTER	1

# Sprayers, RAC™ X Tip, Gun & Hose



## Ref 40: Bearing Housing



Ref.	Part	Description	Qty.
602	240794	HOSE, grounded, nylon; 1/4 in. ID; cpld 1/4 npsm(fbe); 50 ft (15 m); spring guards both ends; 3300 psi (22.8 MPa) (3900/5900)	1
	240797	HOSE, grounded, nylon; 3/8 in. ID; cpld 1/4 npsm(fbe); 50 ft (15 m); spring guards both ends; 3300 psi (22.8 MPa) (5900HD/7900/TexSpray 7900HD)	1
604	288420	CONTRACTOR II SPRAY GUN Includes RAC X 517-size SwitchTip and HandTite Guard. See 311861 for parts. (3900/5900/7900)	1
	241705	TEXTURE SPRAY GUN Includes LTX531 SwitchTip and Guard. See 308491 for parts. (5900HD/TexSpray 7900HD)	1
605	159841	BUSHING, 3/8 x 1/4 in. (5900HD/7900)	1
606	241735	HOSE, whip 1/4 in. x 3 ft (TexSpray 7900HD)	1
704+	15E779	PIN, housing, bearing 3900	1
	15E625	5900/7900/TexSpray 7900HD	1
705+	15G930	LATCH, housing, bearing 3900	1
	15G890	5900/7900/TexSpray 7900HD	1
706+	102040	NUT, lock hex 3900	2
	111040	5900/7900/TexSpray 7900HD	2
740		HOUSING, bearing (3900)	1
		HOUSING, bearing (5900)	1
		HOUSING, bearing (7900/TexSpray 7900HD)	1
741+	15F503	SCREW, set, socket hd	1
742+	15F498	SCREW, adjustment	1
745+	119250	SCREW, mach hex wash hd	1
763+	15F116	LATCH	1
765+	15G840	RECEIVER, latch (3900)	1
	15G584	RECEIVER, latch (5900/7900/TexSpray 7900HD)	1
766+	108859	SCREW, shoulder, sch (3900)	1
	116942	SCREW, shoulder, sch (5900/7900/TexSpray 7900HD)	1
779+	278204	CLIP, spring	1

+ Included in Bearing Housing, ref. 40.



# Graco Standard Warranty

Graco warrants all equipment referenced in this document which is manufactured by Graco and bearing its name to be free from defects in material and workmanship on the date of sale to the original purchaser for use. With the exception of any special, extended, or limited warranty published by Graco, Graco will, for a period of twelve months from the date of sale, repair or replace any part of the equipment determined by Graco to be defective. This warranty applies only when the equipment is installed, operated and maintained in accordance with Graco's written recommendations.

This warranty does not cover, and Graco shall not be liable for general wear and tear, or any malfunction, damage or wear caused by faulty installation, misapplication, abrasion, corrosion, inadequate or improper maintenance, negligence, accident, tampering, or substitution of non-Graco component parts. Nor shall Graco be liable for malfunction, damage or wear caused by the incompatibility of Graco equipment with structures, accessories, equipment or materials not supplied by Graco, or the improper design, manufacture, installation, operation or maintenance of structures, accessories, equipment or materials not supplied by Graco.

This warranty is conditioned upon the prepaid return of the equipment claimed to be defective to an authorized Graco distributor for verification of the claimed defect. If the claimed defect is verified, Graco will repair or replace free of charge any defective parts. The equipment will be returned to the original purchaser transportation prepaid. If inspection of the equipment does not disclose any defect in material or workmanship, repairs will be made at a reasonable charge, which charges may include the costs of parts, labor, and transportation.

**THIS WARRANTY IS EXCLUSIVE, AND IS IN LIEU OF ANY OTHER WARRANTIES, EXPRESS OR IMPLIED, INCLUDING BUT NOT LIMITED TO WARRANTY OF MERCHANTABILITY OR WARRANTY OF FITNESS FOR A PARTICULAR PURPOSE.**

Graco's sole obligation and buyer's sole remedy for any breach of warranty shall be as set forth above. The buyer agrees that no other remedy (including, but not limited to, incidental or consequential damages for lost profits, lost sales, injury to person or property, or any other incidental or consequential loss) shall be available. Any action for breach of warranty must be brought within two (2) years of the date of sale.

**GRACO MAKES NO WARRANTY, AND DISCLAIMS ALL IMPLIED WARRANTIES OF MERCHANTABILITY AND FITNESS FOR A PARTICULAR PURPOSE, IN CONNECTION WITH ACCESSORIES, EQUIPMENT, MATERIALS OR COMPONENTS SOLD BUT NOT MANUFACTURED BY GRACO.** These items sold, but not manufactured by Graco (such as electric motors, switches, hose, etc.), are subject to the warranty, if any, of their manufacturer. Graco will provide purchaser with reasonable assistance in making any claim for breach of these warranties.

In no event will Graco be liable for indirect, incidental, special or consequential damages resulting from Graco supplying equipment hereunder, or the furnishing, performance, or use of any products or other goods sold hereto, whether due to a breach of contract, breach of warranty, the negligence of Graco, or otherwise.

## **FOR GRACO CANADA CUSTOMERS**

The Parties acknowledge that they have required that the present document, as well as all documents, notices and legal proceedings entered into, given or instituted pursuant hereto or relating directly or indirectly hereto, be drawn up in English. Les parties reconnaissent avoir convenu que la rédaction du présente document sera en Anglais, ainsi que tous documents, avis et procédures judiciaires exécutés, donnés ou intentés, à la suite de ou en rapport, directement ou indirectement, avec les procédures concernées.

# Graco Information

For the latest information about Graco products, visit [www.graco.com](http://www.graco.com).

For patent information, see [www.graco.com/patents](http://www.graco.com/patents).

**TO PLACE AN ORDER**, contact your Graco distributor or call 1-800-690-2894 to identify the nearest distributor.

*All written and visual data contained in this document reflects the latest product information available at the time of publication.  
Graco reserves the right to make changes at any time without notice.*

For patent information, see [www.graco.com/patents](http://www.graco.com/patents)  
Original instructions. This manual contains English. MM 3A0244

**Graco Headquarters:** Minneapolis  
**International Offices:** Belgium, China, Japan, Korea

**GRACO INC. AND SUBSIDIARIES • P.O. BOX 1441 • MINNEAPOLIS MN 55440-1441 • USA**  
**Copyright 2011, Graco Inc. All Graco manufacturing locations are registered to ISO 9001.**

[www.graco.com](http://www.graco.com)  
Revised G August 2014