

XD 40 and XD 50 Hose Reels



XD 50 >



< XD 40

Rugged and Efficient

Get work done faster with more flow, higher pressures and a durable long-life design.

The Complete Package

From Bulk Tank to Dispense Point

Graco's line of pumps, reels and dispense accessories creates a fully integrated system—all manufactured with performance in mind to keep you working efficiently.

Innovation

We innovate, and then test to make sure it meets Graco's incredibly high standards. Graco products are designed with features you can really use, like high flow capabilities and strong materials so your equipment will perform when you need it. All backed by top-notch customer support and worldwide experts that sell and service everything we manufacture. You get more value from the products that benefit your bottom line.



Typical Applications

- Heavy-duty truck dealers
- Fleet maintenance
- Mining maintenance
- Public works garages
- Construction vehicle maintenance
- Heavy-duty mobile service trucks

Typical Fluids Handled

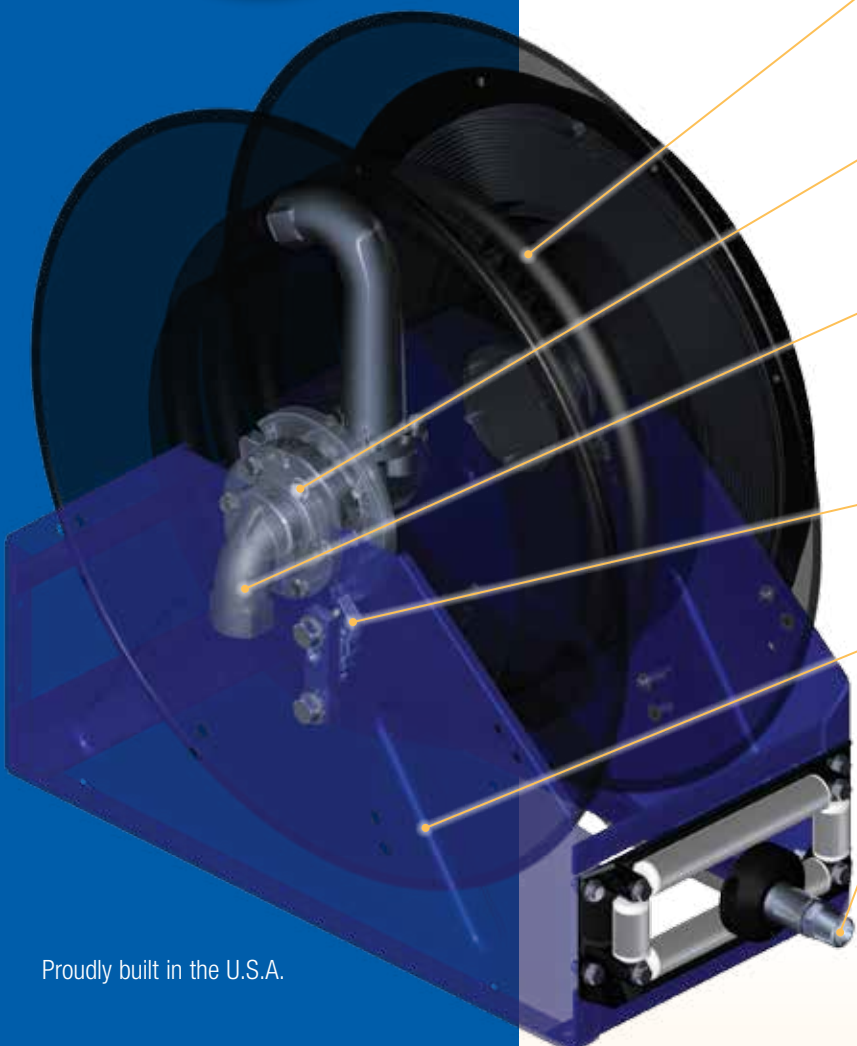
- Petroleum and synthetic based oils
- Fuel
- Air
- Water
- Anti-freeze
- Waste Oil



**7 YEAR
WARRANTY**
1 Year on wear
components

Toughness is Built-in

Engineered to take a beating and still reliably perform in harsh environments so it's ready when you need it. Choose from more colors, thread types and hoses or choose the bare reel so you can customize it with your hose. You get a professional look, easier fit and better-performing equipment.



Proudly built in the U.S.A.

Expanded Hose Offering

Standard models come complete with factory installed hoses on the reel. We have a large selection to fit your application.

No limit to Where it Fits

Rotatable inlet position makes mounting easier in more applications so there's almost no limit to where it fits.

More Flow—Less Pressure Drop

A Graco exclusive—breakthrough swivel design allows better flow to get work done faster. Materials are corrosion resistant and strong for long lasting performance.

Won't Lockout

Improved ratchet design has one set of teeth instead of two to avoid reel lockout.

Rugged and Durable Body

Heavy-duty welded spool and frame are stronger than bolted spools and frames that can loosen with use. Ribs add extra strength for toughness over the long haul.

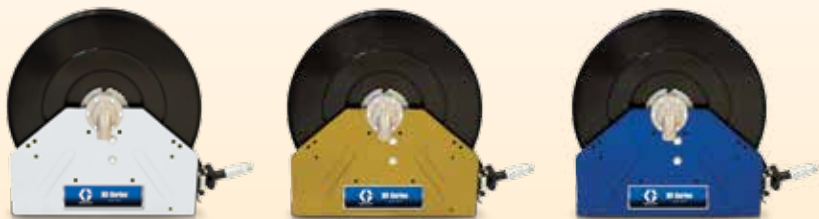
Meets Worldwide Needs

Built standard with 90° elbow with NPT, BSPP or BSPT threads. 1.5" models also include 2" Victaulic*-style groove. Accessories attach without the need for adapters. You have fewer leak points—all with global approvals—so you can install it anywhere in the world.

*Victaulic is a trademark of Victaulic Company of America.

More Colors

Choose from these colors for a professional look.



Reel with Hose Ordering Information

Technical Specifications

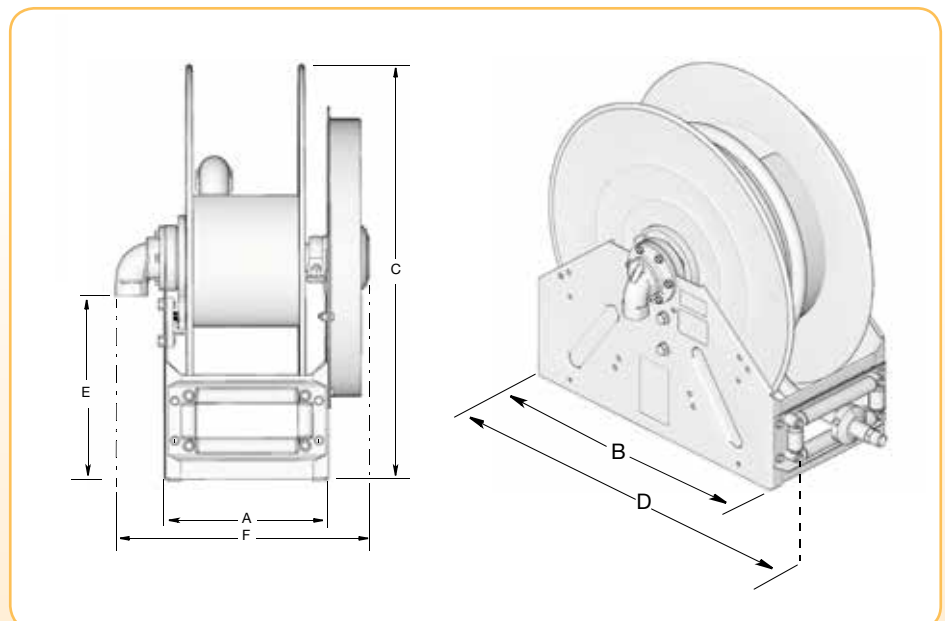
Applications	Model numbers by color			Pressure psi (bar)	Hose		Dimension "F"	Connection Size		Operating Temperature	
	Blue	Yellow	White		id in	Length ft (m)		Inlet npt (f)	Outlet npt (m)		
Air/Water	XD 40	24P327	24P328	24P329	300 (21)	1/2	100 (30)	Model 1	1	1/2	-20°-180° F (-28°-82° C)
		24P330	24P331	24P332	300 (21)	3/4	75 (23)		1	3/4	
		24P333	24P334	24P335	300 (21)	3/4	100 (30)		1	3/4	
		24P336	24P337	24P338	300 (21)	1	50 (15)		1	1	
	XD 50	24P470	24P471	24P472	300 (21)	1	75 (23)	Model 3	1	1	
		24P473	24P474	24P475	300 (21)	1	100 (30)		1	1	
Oil	XD 40	24P339	24P340	24P341	2000 (138)	1/2	100 (30)	Model 2	1	1/2	-40°-180° F (-40°-82° C)
		24P342*	24P343*	24P344*	1500 (103)	3/4	75 (23)	Model 1	1	3/4	
		24R857**	24R859**	24R860**	1500 (103)	3/4	75 (23)	Model 2	1	3/4	
		24P345	24P346	24P347	1500 (103)	3/4	100 (30)		1	3/4	
		24P348*	24P349*	24P350*	1275 (88)	1	50 (15)	Model 1	1	1	
	24R861**	24R862**	24R863**	1275 (88)	1	50 (15)	Model 2	1	1		
	XD 50	24P476	24P477	24P478	1275 (88)	1	75 (23)	Model 3	1	1	
Waste Oil Evacuation	XD 40	24P351	24P352	24P353	250 (17)	1	50 (15)	Model 1	1	1	-40°-180° F (-40°-82° C)
	XD 50	24P479†	24P480†	24P481†	200 (14)	1 1/4	35 (11)	Model 4	1 1/2†	1 1/4	
		24P482†	24P483†	24P484†	200 (14)	1 1/4	50 (15)		1 1/2†	1 1/4	
Fuel	XD 40	24P354	24P355	24P356	250 (17)	1	50 (15)	Model 1	1	1	-40°-180° F (-40°-82° C)
	XD 50	24P485	24P486	24P487	250 (17)	1	75 (23)	Model 3	1	1	
		24P488	24P489	24P490	250 (17)	1	100 (30)		1	1	
		24P491†	24P492†	24P493†	250 (17)	1 1/4	35 (11)	Model 4	1 1/2†	1 1/4	
		24P494†	24P495†	24P496†	250 (17)	1 1/4	50 (15)		1 1/2†	1 1/4	
		24P497†	24P498†	24P499†	150 (10)	1 1/2	50 (15)		1 1/2†	1 1/4	

*Truck/bench mount only. **Overhead or truck mount. †Standard 2" Victaulic††-style groove on inlet. ††Victaulic is a trademark of Victaulic Company of America. See manual 3A2990 on graco.com for more dimensional information.

Dimensions

XD 40 REELS	
A	11.83 in (300 mm)
B	24 in (610 mm)
C	26.13 in (664 mm)
D	26.4 in (671 mm)
E	10.91 in (277 mm)
F: Model 1	16.54 in (420 mm)
F: Model 2	17.47 in (444 mm)

XD 50 REELS	
A	11.83 in (300 mm)
B	28.5 in (724 mm)
C	30.13 in (765 mm)
D	29.4 in (747 mm)
E	10.91 in (277 mm)
F: Model 3	17.47 in (444 mm)
F: Model 4	18.24 in (463 mm)



Bare Reel Ordering Information

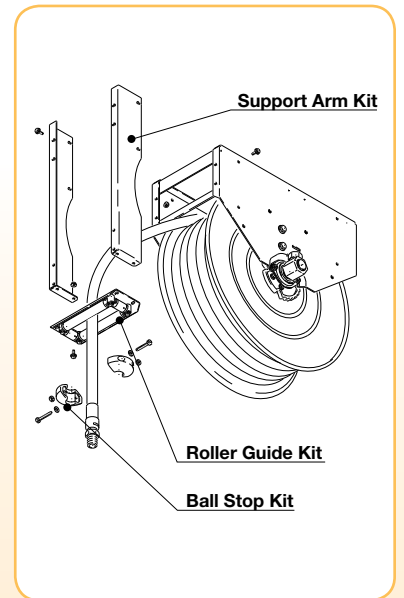
Technical Specifications

Applications		Model numbers by color			Pressure psi (bar)	Hose Length Capacity		Dimension "F"	Connection Size		Operating Temperature		
		Blue	Yellow	White		id in	Length ft (m)		Inlet npt (f)	Outlet npt (f)			
Air/Water	XD 40	24P313	24P315	24P316	600 (41)	1/2	100 (30)	Model 1	1	1	-40°-180° F (-40°-82° C)		
		24P317	24P318	24P319		3/4	75 (23)						
		24P455	24P456	24P457		1	50 (15)					Model 3	
	XD 50	24P320*	24P322*	24P323*		2000 (138)	3/4	100 (30)					Model 1
							1	75 (23)					
							3/4	75 (23)					
24R854**	24R855**	24R856**	1/2	100 (30)									
24P324	24P325	24P326	3/4	100 (30)									
24P458	24P459	24P460	1	75 (23)	Model 3								
Waste Oil Evacuation	XD 40	24P317	24P318	24P319	600 (41)	1	50 (15)	Model 1	1	1			
	XD 50	24P461†	24P462†	24P463†		1 1/4	35 (11) 50 (15)	Model 4	1 1/2†	1 1/2			
Fuel	XD 40	24P317	24P318	24P319	600 (41)	1	50 (15)	Model 1	1	1			
		24P455	24P456	24P457		1	100 (30)	Model 3	1	1			
	XD 50	24P461†	24P462†	24P463†		1 1/4	35 (11) 50 (15)	Model 4	1 1/2†	1 1/2			
						24P464	24P465	24P466	1	75 (23)	Model 3	1	1
		24P467†	24P468†	24P469†		1 1/2	50 (15)	Model 4	1 1/2†	1 1/2			

*Truck/bench mount only. **Overhead or truck mount. †Standard 2" Victaulic††-style groove on inlet. ††Victaulic is a trademark of Victaulic Company of America. See manual 3A2990 on graco.com for more dimensional information.

Accessories

Inlet Hose Kits		Pressure psi (bar)	Hose id in (mm)	Length in (mm)	Hose Inlet
24R111	Inlet kit for Air/Water & Oil	1275 (88)	1 (25)	28 (711)	npt(m)
24R112	Inlet kit for Waste Oil Evacuation	250 (17)	1 (25)	28 (711)	npt(m)
24R115	Inlet kit for Fuel	250 (17)	1 (25)	28 (711)	npt(m)
24R117	Inlet kit for Fuel	150 (10)	1.5 (38)	28 (711)	npt(m)
Ball Stop Kits					
237873	Ball stop kit used for 3/4 in (19.1 mm) hose				
237874	Ball stop kit used for 1 in (25.4 mm) hose				
24R060	Ball stop kit used for a 1.25 in (31.75 mm) hose				
24R061	Ball stop kit used for a 1.5 in (38.1 mm) hose				
Arm Kits & Roller Guides					
24R076	Support Arm Kit for XD 40				
24R077	Support Arm Kit for XD 50				
24R072	Roller Guide Kit with Bracket for XD 40				
24R074	Roller Guide Kit with Bracket for XD 50				
237932	Overhead mounting kit for XD 40. Includes all parts needed for ceiling mounting 1 reel				



AMERICAS

MINNESOTA

Worldwide Headquarters
Graco Inc.
88-11th Avenue N.E.
Minneapolis, MN 55413

MAILING ADDRESS

P.O. Box 1441
Minneapolis, MN 55440-1441
Tel: 612-623-6000 Fax: 612-623-6777

EUROPE

BELGIUM

Graco BVBA
Industrieterrein-Oude Bunders
Slakweidestraat 31
B-3630 Maasmechelen,
Belgium
Tel: 32 89 770 700 Fax: 32 89 770 777

ASIA PACIFIC

AUSTRALIA

Graco Australia Pty Ltd.
Suite 17, 2 Enterprise Drive
Bundoora, Victoria 3083
Australia
Tel: 61 3 9468 8500 Fax: 61 3 9468 8599

CHINA

Graco Hong Kong Ltd.
Shanghai Representative Office
Building 7
1029 Zhongshan Road South,
Huangpu District
Shanghai, 200011
The People's Republic of China
Tel: 86 21 649 50088 Fax: 86 21 649 50077

INDIA

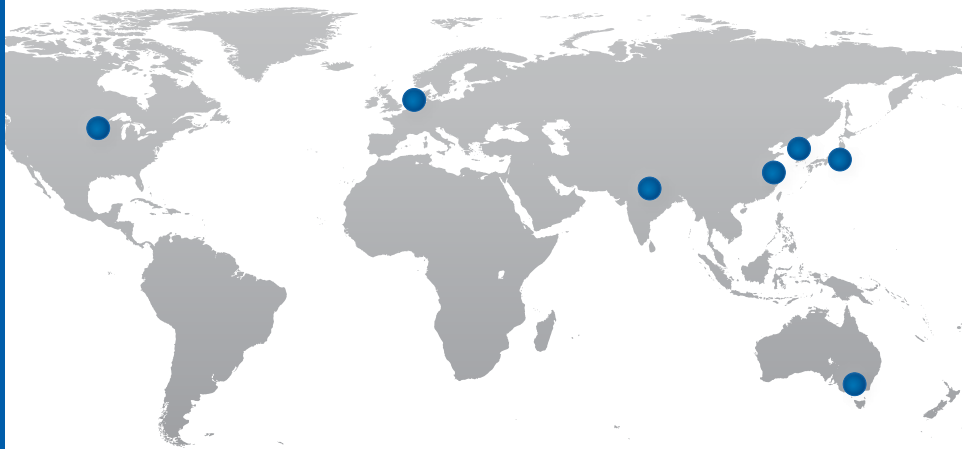
Graco Hong Kong Ltd.
India Liaison Office
Room 443, Level 4
Augusta Point, Golf Course Road
Gurgaon, Haryana, India 122001
Tel: 91 124 435 4208 Fax: 91 124 435 4001

JAPAN

Graco K.K.
1-27-12 Hayabuchi
Tsuzuki-ku
Yokohama City, Japan 2240025
Tel: 81 45 593 7300 Fax: 81 45 593 7301

KOREA

Graco Korea Inc.
Shinhan Bank Building
4th Floor #1599
Gwanyang-Dong, Dongan-Ku,
Anyang-si, Korea 431-060
Tel: 82 31 476 9400 Fax: 82 31 476 9801



Graco's got you covered

Facilities Worldwide for Global Support



Quality First

At Graco we pride ourselves on providing best-in-class products. Engineered solutions are manufactured in our own facilities, with the highest standards in the industry. We provide you with world-class customer support and expertise to help solve your lubrication challenges.



Global Reach

Graco has facilities and distribution partners across the globe to provide you with the products and service *you* need, where *you* live. Plus, Graco has dedicated field experts in all areas of the world to support the products we sell.



Product Capabilities

Graco has a broad range of products to provide solutions that meet your needs. Our products are engineered and tested to perform in the harshest environments so you can be certain your equipment is protected and working at peak performance.

Contact us today!

Call **800-533-9655** to speak with a Graco representative,
or visit **www.graco.com** for more information.

