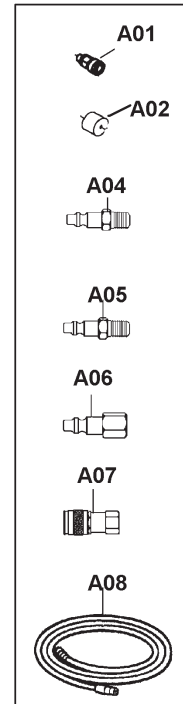
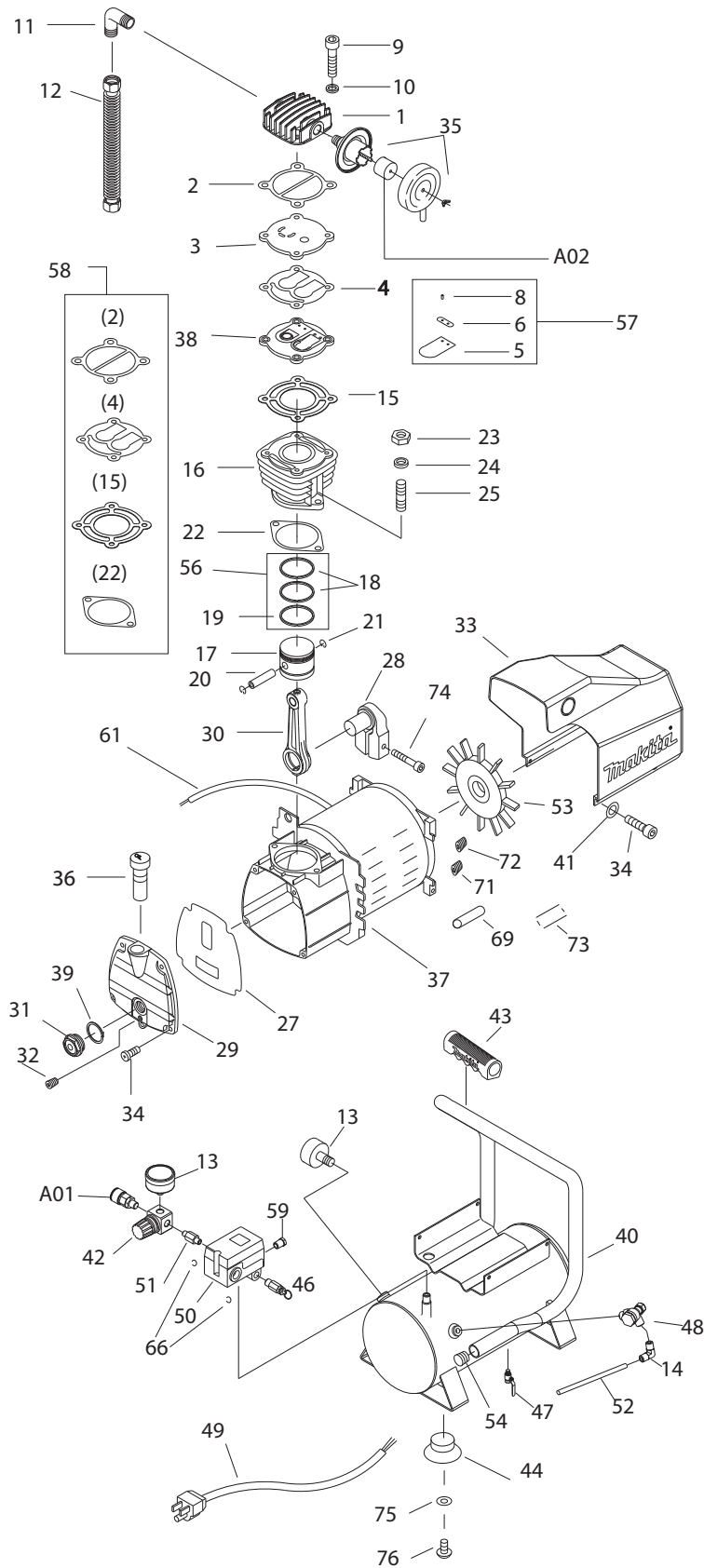




08 - 2015

MAC700

2 H.P. - 2.6 GAL COMPRESSOR



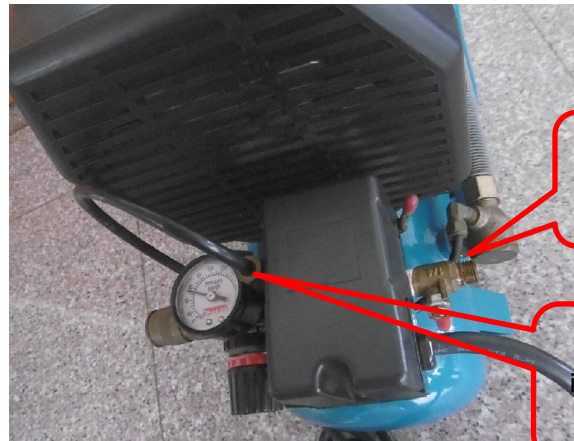
Item No.	Type	Sub	Part No.	Description	Qty	Unit
001			101001	Cylinder head	1	PC
002			211001	Valve seat to head gasket	1	PC
003			104001	Inlet valve seat	1	PC
004			212001	Inlet & Exhaust valve seat gasket	1	PC
005			125001	Inlet & Exhaust valve plate	2	PC
006			127001	Inlet & Exhaust spring plate	2	PC
008			126001	Valve plate pin	4	PC
009			352087	Cylinder head bolt	4	PC
010			382011	Spring washer for head bolt	4	PC
011			151404	Exhaust Elbow	1	PC
012			230092S	Discharge tube assembly	1	PC
013			411028	Pressure gauge	2	PC
014			151001	Unloading elbow	1	PC
015			213001	Valve seat to cylinder gasket	1	PC
016			201013	Cylinder	1	PC
017			203002	Piston	1	PC
018			206002	Compression ring	2	PC
019			207002	Oil control ring	1	PC
020			204002	Piston pin	1	PC
021			205001	Piston pin snap ring	2	PC
022			214001	Cylinder to crankcase gasket	1	PC
023			371005	Set nut (cylinder to crankcase)	2	PC
024			382005	Spring washer (cyl. to crankcase)	2	PC
025			358001	Double head screw	2	PC
027			215001	Crankcase cover gasket	1	PC
028			302001	Crankshaft	1	PC
029			304013	Crankcase cover	1	PC
030			316001	Connecting rod	1	PC
031			321001	Oil sight gauge	1	PC
032			360001	Oil draining plug	1	PC
033			433011	Motor cover	1	PC
034			352071	Motor / crankcase cover bolt	9	PC
035			170006	Air filter assembly	1	PC
036			324003	Oil filler/crankcase breather	1	PC
037			251215	Electric motor / Crankcase (Includes Item No.69-72)	1	PC
038			114001	Exhaust valve seat	1	PC
039			217001	Oil gauge gasket	1	PC
040			401129	Air tank	1	PC
041			382004	Spring washer for motor cover	4	PC
042			410030	Regulator	1	PC
043			435017	Rubber handle	1	PC
044			434002	Tank Foot	4	PC
046			407001	Safety valve (1/4")	1	PC
047			413008	Drain cock	1	PC
048	1		409004	Check valve (Type 1)	1	PC
	2		409016	Check valve (Type 2)	1	PC
049			452005	Power cord	1	PC
050			412024	Pressure switch	1	PC
051			441001	Regulator nipple	1	PC
052			240082	* Unloading tube (1/4")	1	PC
52-1			375001	* NUT 1/4" F/TUBE	2	PC
52-2			376001	* TUBE NUT F/TUBE	1	PC
053			431005	Motor fan	1	PC
054			439010	Handle plug	2	PC
056			RK700	Ring kit (#18 and 19)	1	PC.
057	1		VK700	Valve kit #5(1Ea.), 6(1Ea.), and 8(2Ea.)	2	PC.
	2		VK2400	Valve kit #5(1Ea.), 6(1Ea.), and 8(2Ea.)	2	PC.
058			GK700	Gasket kit (#2, 4, 15 and 22)	1	PC.
059			360002	Plug for pr.switch manifold	1	PC
061			453076	Wiring harness(motor-pr. switch)	1	PC
066			457002	Strain Relief Clip	2	PC
069			460001	Start Capacitor	1	PC

Item No.	Type	Sub	Part No.	Description	Qty	Unit
071			458001	Overload Switch	1	PC
072			459001	Centrifugal Switch	1	PC
073			455014	Capacitor Cover	1	PC
074			352106	Crankshaft Bolt	1	PC
075			381021	Washer, Metal	4	PC.
076			353024	Round-Head Bolt	4	PC.
C01			471149	Carton	1	PC

ACCESSORIES

A01	2		10TT-8	Quick coupler (1/4")	1	PC
A02			171002	Air filter (element only)	1	PC
A03			181122-A	Compressor Oil (0.25L)	1	PC
			EAOIL10	Compressor Oil (1L)	1	PC
A04			YY036003-A	1/4" X 1/4" Plug, Male	1	PC
A05			YY36003-1	1/4" X 3/8" Plug, Male	1	PC
A06			YY311002-X	1/4" X 1/4" Plug, Female	1	PC
A07			YY311018-A	1/4"X1/4" Female Coupler	1	PC
A08			YYVAH25	3/8X25' P.V.C. Air Hose	1	PC
			YYVAH50	3/8X50' P.V.C. Air Hose	1	PC
			YYRAH25	3/8X25' Rubber Air Hose	1	PC
			YYRAH50	3/8X50' Rubber Air Hose	1	PC
			YYRAH100	3/8X100' Rubber Air Hose	1	PC

Service Note for 240082 Tube Assy 1/4"



Nut part #375001, this is installed on unloading

Nut part#376001, this is installed on release valve of pressure switch.



Nut part #375001, this is installed on unloading