

15V077 Dispense Valve Acid Kit

406713B
EN

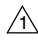
To convert dispense valves on ProMix® 2KS and 2KE Proportioners for use with acid-catalyzed materials. For professional use only.

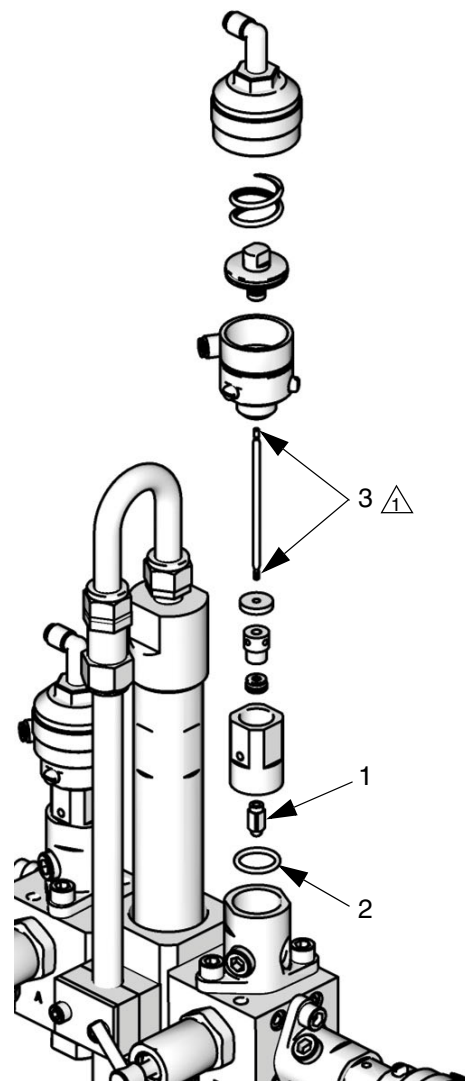


Important Safety Instructions

Before beginning, read all warnings and instructions in this manual and in your related equipment manuals. Save all instructions. This manual is only a guide for kit installation. See your ProMix manual for complete warnings and repair instructions.

Ref.	Description	Qty
1	BALL ASSEMBLY, needle	1
2	O-RING, dispense valve	1
3	SHAFT, needle	1
4	ADHESIVE, anaerobic; 5 cc packet	1

 Apply anaerobic adhesive (4) to the threads on both ends of the needle shaft (3) before assembling.



ti18082a

Graco Inc. P.O. Box 1441 Minneapolis, MN 55440-1441

406713 Rev. B 10/2011

Original instructions. This manual contains English.

Copyright 2008, Graco Inc. is registered to ISO 9001