

Air Controls

309923F



Important Safety Instructions

Read all warnings and instructions in this manual.
Save these instructions.

Air Control Assemblies

Provide clean, dry, regulated compressed air

Part No.	Description	Includes		Maximum Regulated Air Pressure
		Regulator*	Filter*	
234398	2 regulated outlets and 1 filtered main line outlet	234392	similar to 234396, page 6	160 psi (1.1 MPa, 11 bar)
234399	2 regulated outlets and 2 filtered main line outlets with gauge and air cock	234392		
234400	2 air regulators, each has 2 regulated outlets and 1 filtered main line outlet with gauge and air cock	234392		
234411	2 regulated outlets and 1 filtered main line outlet	234392	234410	

* Regulator maximum CFM is 50. See table below for maximum filter CFM.
See Air Regulator manual 309924 for additional information on air regulator.

Air Filters

With 5 micron filtration

Part No.	Description	Inlet	Outlets	Maximum CFM	Maximum Air Inlet Pressure
234396	Air Filter, bare	1/2" npt(f)	3/8" npt(f)	120 CFM	175 psi (1.2 MPa, 12 bar)
234410	Air Filter, bare	1/2" npt(f)	3/8" npt(f) 1/4" npt(f) plugged	75 CFM	
234412	Air Filter, quick coupler	1/4" npt(f)	1/4" npt(f) 1/4" npt(f) plugged	75 CFM	

PROVEN QUALITY. LEADING TECHNOLOGY.

Installation

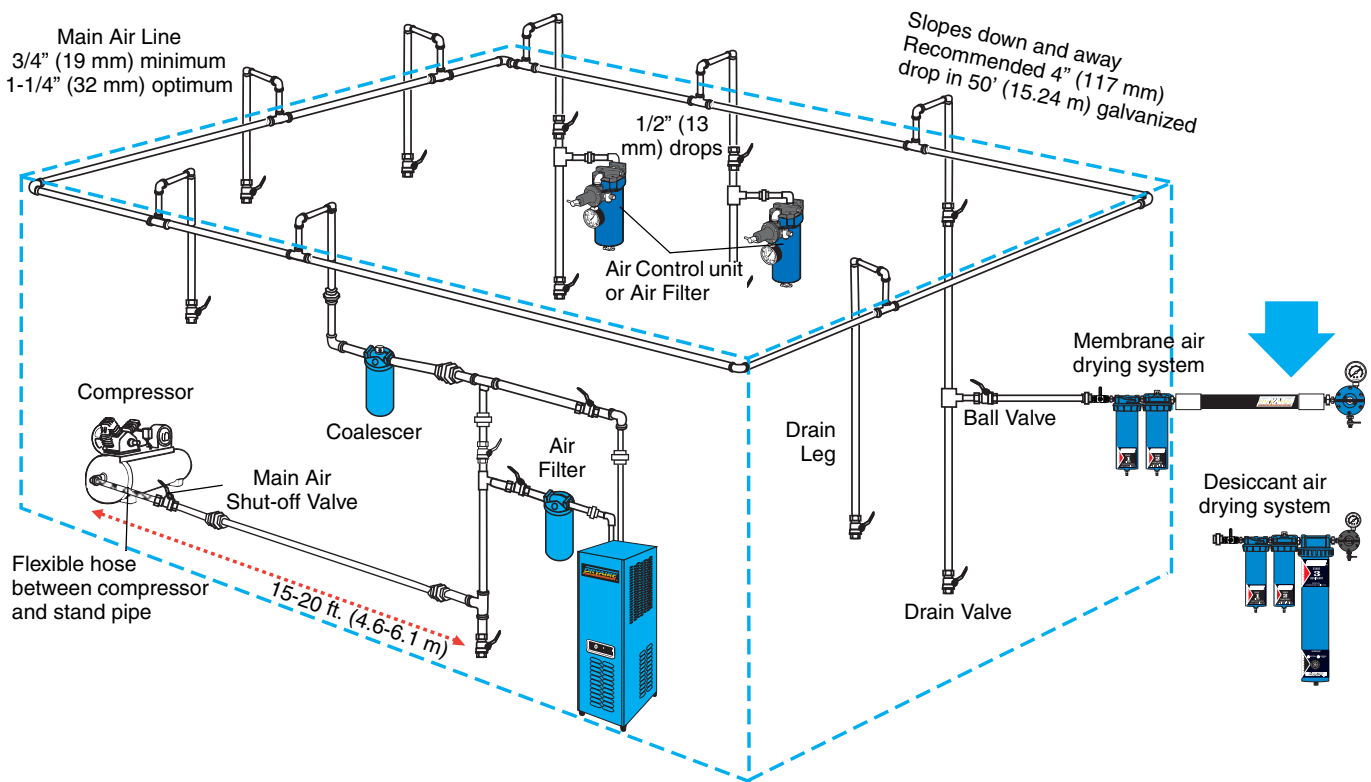
CAUTION
Do not hang the air control unit directly off a pump air motor inlet, which could be damaged by the weight of the unit and operating stress.

Use pipe compound or tape sparingly and only on male threads. Locate the regulator as close as possible to the equipment it serves.

Install a main air shutoff valve upstream from the air controls to isolate them for service.

Before installing air line components, blow out the pipe line to remove debris. Be sure air to the regulator is clean. Erratic operation or loss of regulation is usually caused by dirt in the regulator.

Shop Air Piping Layout




- Main Air Line stand pipe should not be smaller than compressor outlet size.
- A minimum of 25 ft. (7.62 m) from compressor to first filter outlet is required to cool air [50 ft. (15.24 m) optimum]

Minimum Pipe Size Recommendations			
Compressor		Main Air Line	
HP	CFM	Length ft (m)	Size in. (mm)
1-1/2 - 2	6 - 9	any	3/4 (19)
3 - 5	12 - 20	Up to 200 (61)	3/4 (19)
		Over 200 (61)	1 (25.4)
5 - 10	20 - 40	Up to 100 (30.5)	3/4 (19)
		Over100-200(30.5-61)	1 (25.4)
		Over 200 (61)	1-1/4 (31.8)
10 - 15	40 - 60	Up to 100 (30.5)	3/4 (19)
		Over100-200(30.5-61)	1-1/4 (31.8)
		Over 200 (61)	1-1/2 (38.1)

Air Pressure Drop Through Hose, by hose length and ID				
psi (Kpa, bar)				
Hose ID (in.)	Inlet P	Hose Length (ft)	Pressure Drop	SCFM (ft³/min)
1/4	40	4	6	14
		10	8	10
		15	9.5	9
		20	11	8
		25	12.75	8
		50	24	8



Operation

Pressure Adjustment

						
Do not exceed the Maximum Incoming Air Pressure of the equipment. Over pressurizing can cause component rupture and serious injury.						

Turn clockwise to increase air pressure. Turn counterclockwise to decrease air pressure.

Pressure Relief Procedure

						
To avoid injury, relieve air and fluid pressure before checking, cleaning, or repairing the equipment.						

The following is a basic pressure relief procedure. Be sure to follow the specific pressure relief procedure in your spray gun and/or fluid supply equipment manuals.

1. Close the main air shutoff valve.
2. Trigger the gun or dispense valve and open any drain valves to relieve pressure.

Maintenance and Repair

Air Filter

Follow the **Pressure Relief Procedure** before performing any of the following procedures.

Wash the filter element and bowl with household soap and water or denatured alcohol. Use compressed air to blow dirt and contaminants out of the filter body. Blow out the filter element from the inside.

Clean the air filter regularly to maximize filtering efficiency and to avoid excessive pressure drop. Fully relieve pressure before removing the bowl.

Auto Drain

When the filter bowl is pressurized, the piston travels down against the spring and closes the drain opening. When the bowl is depressurized (i.e., overnight when system is shut down), the spring lifts the piston from the seal, allowing the bowl to drain.



You can push the piston stem on the bottom of the bowl to manually drain it.

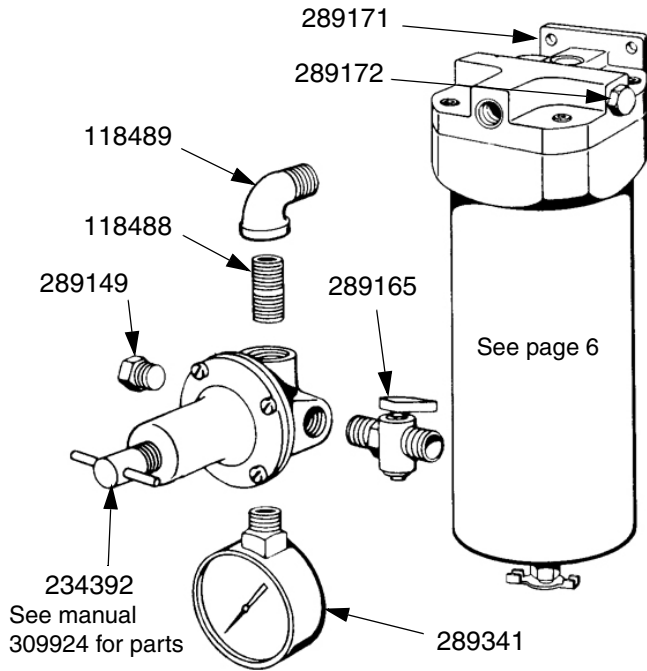
Air Regulator

See Air Regulator Manual 309924 for maintenance and repair procedures.

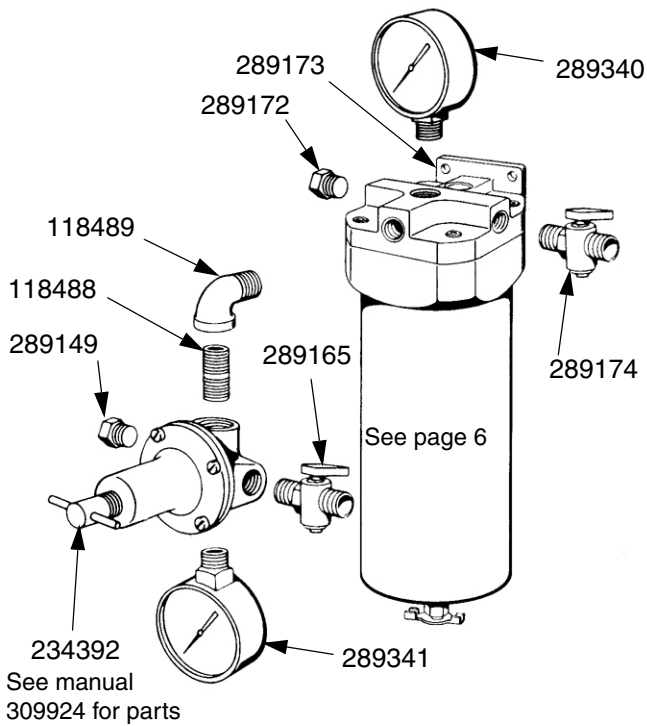
Parts

Air Control Assemblies

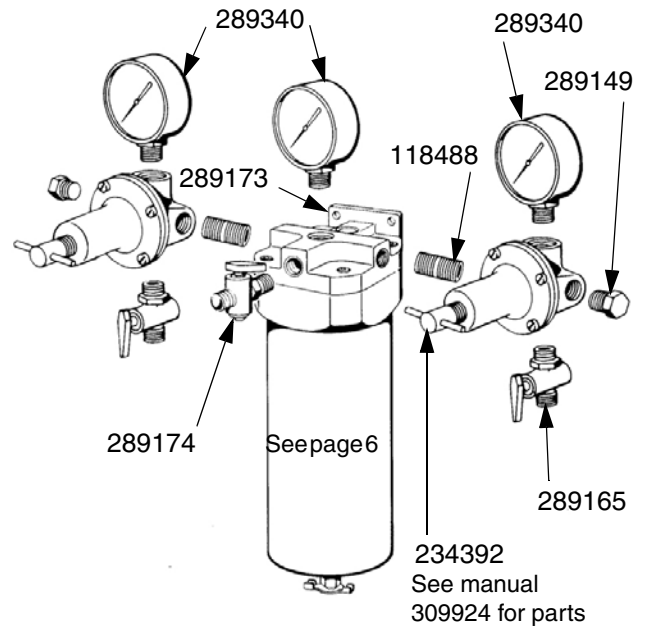
Part No. 234398



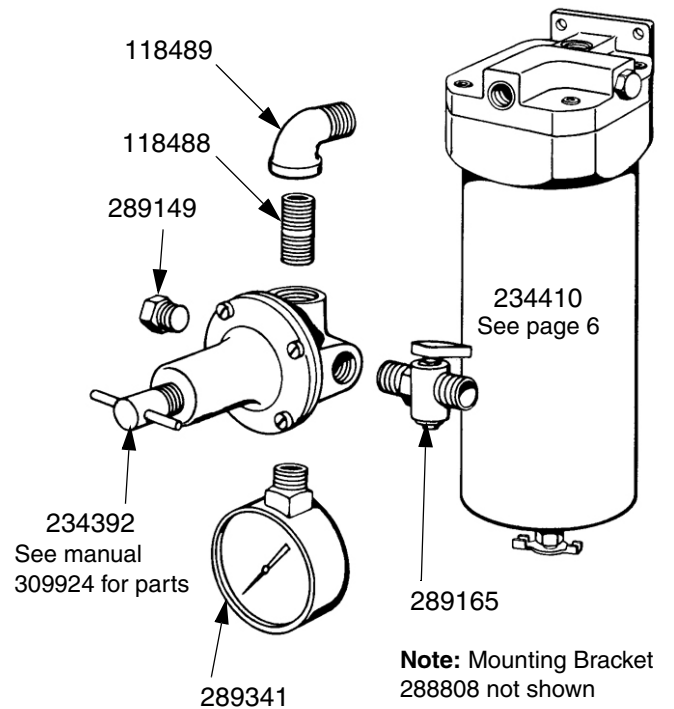
Part No. 234399



Part No. 234400



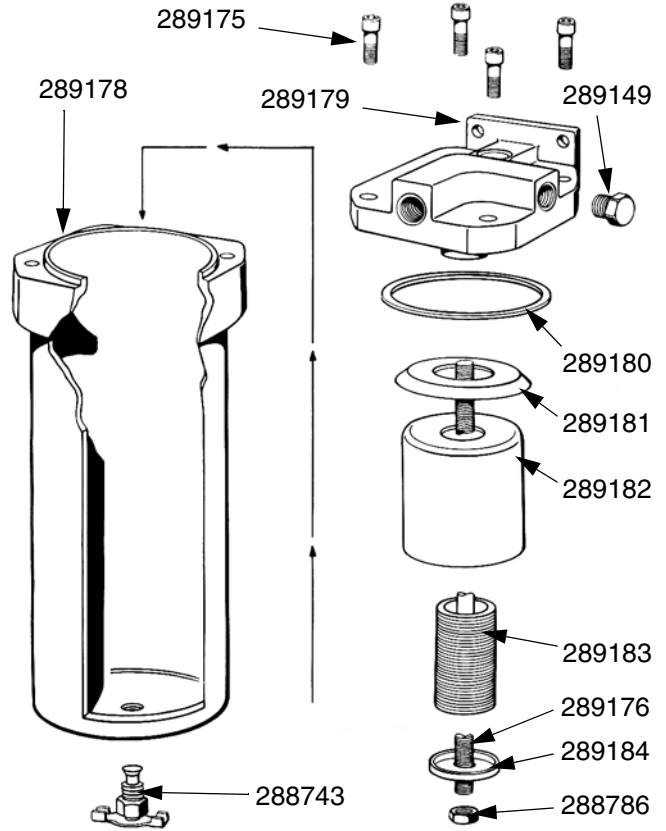
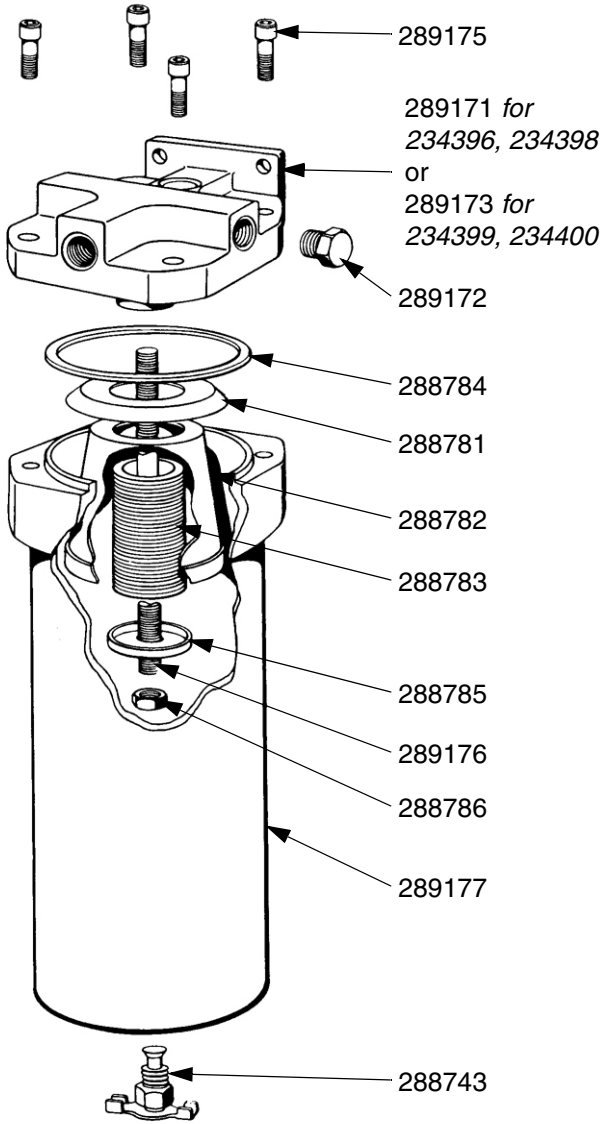
Part No. 234411



Air Filters

Parts for Bare Filter 234396 and for Filter supplied with Air Controls 234398, 234399, and 234400

Part No. 234410 and 234412





A series of horizontal lines for writing, consisting of 25 evenly spaced lines that span the width of the page.

Graco Standard Warranty

Graco warrants all equipment referenced in this document which is manufactured by Graco and bearing its name to be free from defects in material and workmanship on the date of sale to the original purchaser for use. With the exception of any special, extended, or limited warranty published by Graco, Graco will, for a period of twelve months from the date of sale, repair or replace any part of the equipment determined by Graco to be defective. This warranty applies only when the equipment is installed, operated and maintained in accordance with Graco's written recommendations.

This warranty does not cover, and Graco shall not be liable for general wear and tear, or any malfunction, damage or wear caused by faulty installation, misapplication, abrasion, corrosion, inadequate or improper maintenance, negligence, accident, tampering, or substitution of non-Graco component parts. Nor shall Graco be liable for malfunction, damage or wear caused by the incompatibility of Graco equipment with structures, accessories, equipment or materials not supplied by Graco, or the improper design, manufacture, installation, operation or maintenance of structures, accessories, equipment or materials not supplied by Graco.

This warranty is conditioned upon the prepaid return of the equipment claimed to be defective to an authorized Graco distributor for verification of the claimed defect. If the claimed defect is verified, Graco will repair or replace free of charge any defective parts. The equipment will be returned to the original purchaser transportation prepaid. If inspection of the equipment does not disclose any defect in material or workmanship, repairs will be made at a reasonable charge, which charges may include the costs of parts, labor, and transportation.

THIS WARRANTY IS EXCLUSIVE, AND IS IN LIEU OF ANY OTHER WARRANTIES, EXPRESS OR IMPLIED, INCLUDING BUT NOT LIMITED TO WARRANTY OF MERCHANTABILITY OR WARRANTY OF FITNESS FOR A PARTICULAR PURPOSE.

Graco's sole obligation and buyer's sole remedy for any breach of warranty shall be as set forth above. The buyer agrees that no other remedy (including, but not limited to, incidental or consequential damages for lost profits, lost sales, injury to person or property, or any other incidental or consequential loss) shall be available. Any action for breach of warranty must be brought within two (2) years of the date of sale.

GRACO MAKES NO WARRANTY, AND DISCLAIMS ALL IMPLIED WARRANTIES OF MERCHANTABILITY AND FITNESS FOR A PARTICULAR PURPOSE, IN CONNECTION WITH ACCESSORIES, EQUIPMENT, MATERIALS OR COMPONENTS SOLD BUT NOT MANUFACTURED BY GRACO. These items sold, but not manufactured by Graco (such as electric motors, switches, hose, etc.), are subject to the warranty, if any, of their manufacturer. Graco will provide purchaser with reasonable assistance in making any claim for breach of these warranties.

In no event will Graco be liable for indirect, incidental, special or consequential damages resulting from Graco supplying equipment hereunder, or the furnishing, performance, or use of any products or other goods sold hereto, whether due to a breach of contract, breach of warranty, the negligence of Graco, or otherwise.

FOR GRACO CANADA CUSTOMERS

The Parties acknowledge that they have required that the present document, as well as all documents, notices and legal proceedings entered into, given or instituted pursuant hereto or relating directly or indirectly hereto, be drawn up in English. Les parties reconnaissent avoir convenu que la rédaction du présente document sera en Anglais, ainsi que tous documents, avis et procédures judiciaires exécutés, donnés ou intentés, à la suite de ou en rapport, directement ou indirectement, avec les procédures concernées.

Graco Information

TO PLACE AN ORDER, contact your Graco distributor or call to identify the nearest distributor.

Phone: 612-623-6921 **or Toll Free:** 1-800-328-0211 **Fax:** 612-378-3505

*All written and visual data contained in this document reflects the latest product information available at the time of publication.
Graco reserves the right to make changes at any time without notice.*

This manual contains English. MM 309923

Graco Headquarters: Minneapolis
International Offices: Belgium, China, Japan, Korea

GRACO INC. P.O. BOX 1441 MINNEAPOLIS, MN 55440-1441

www.graco.com

6/2003 Revised 8/2007