

**695 / 795 / 1095 / 1595 / Mark IV / Mark V / Mark X  
Electric Airless Sprayers**

**332918H**

EN

*or Portable Airless Spraying of Architectural Coatings and Paints.*

*For professional use only. Not approved for use in European explosive atmosphere locations.*

3300 psi (227 bar, 22.7 MPa) Maximum Working Pressure



**Important Safety Instructions**

Read all warnings and instructions in this manual. Be familiar with the controls and the proper usage of the equipment. Save these instructions.

**Related Manuals:**



**332916**



**309495**

**308491**

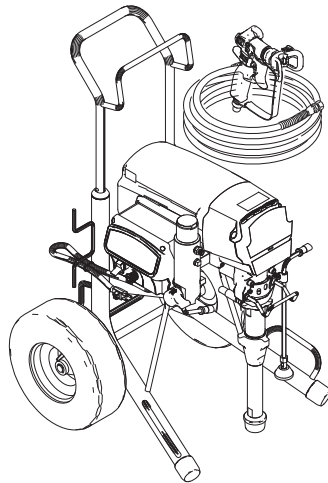
**311861**

**311254**

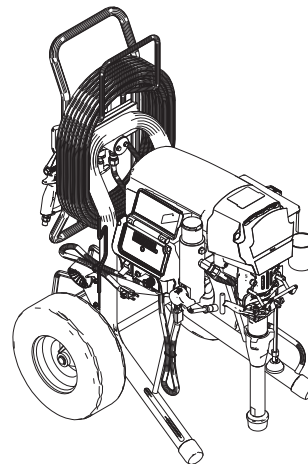


**333028**

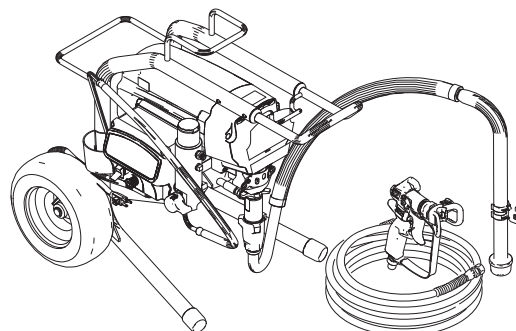
**332922**



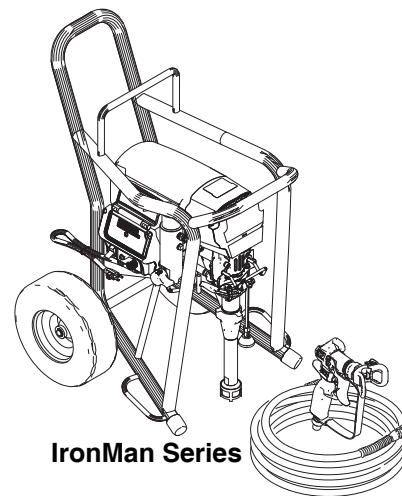
**Standard Hi-Boy Series**



**ProContractor Series**



**Standard Lo-Boy Series**



**IronMan Series**

ti22882a



# Models

| 695/795/1095/1595 UltraMax II, Standard, ProContractor, IronMan Models |       |         |                 |                 |               |         |
|--|-------|---------|-----------------|-----------------|---------------|---------|
| Model Number   | Model | Voltage | Standard Hi-Boy | Standard Lo-Boy | ProContractor | IronMan |
| 16W892   | 695   | 120     | ✓               |                 |               |         |
| 16W893   | 695   | 120     |                 | ✓               |               |         |
| 16W894   | 695   | 120     |                 |                 | ✓             |         |
| 826177   | 695   | 120     | ✓               |                 |               |         |
| 826178   | 695   | 120     |                 | ✓               |               |         |
| 826179   | 695   | 120     |                 |                 | ✓             |         |
| 24R878   | 695   | 120     | ✓               |                 |               |         |
| 16W895   | 795   | 120     | ✓               |                 |               |         |
| 16W896   | 795   | 120     |                 |                 | ✓             |         |
| 826180   | 795   | 120     | ✓               |                 |               |         |
| 826181   | 795   | 120     |                 |                 | ✓             |         |
| 16W899   | 1095  | 120     | ✓               |                 |               |         |
| 16W900   | 1095  | 120     |                 |                 | ✓             |         |
| 16W901   | 1095  | 120     |                 |                 |               | ✓       |
| 826182   | 1095  | 120     | ✓               |                 |               |         |
| 826183   | 1095  | 120     |                 |                 | ✓             |         |
| 826184   | 1095  | 120     |                 |                 |               | ✓       |
| 16W902   | 1595  | 120     | ✓               |                 |               |         |
| 16W903   | 1595  | 120     |                 |                 | ✓             |         |
| 16W907   | 1595  | 120     |                 |                 |               | ✓       |
| 16W936   | 1595  | 120     | ✓               |                 |               |         |
| 16W937   | 1595  | 120     |                 |                 | ✓             |         |
| 16W938   | 1595  | 120     |                 |                 |               | ✓       |
| 826185   | 1595  | 120     | ✓               |                 |               |         |
| 826186   | 1595  | 120     |                 |                 | ✓             |         |
| 826187   | 1595  | 120     |                 |                 |               | ✓       |
| 826188   | 1595  | 120     | ✓               |                 |               |         |
| 826189   | 1595  | 120     |                 |                 | ✓             |         |
| 826190   | 1595  | 120     |                 |                 |               | ✓       |

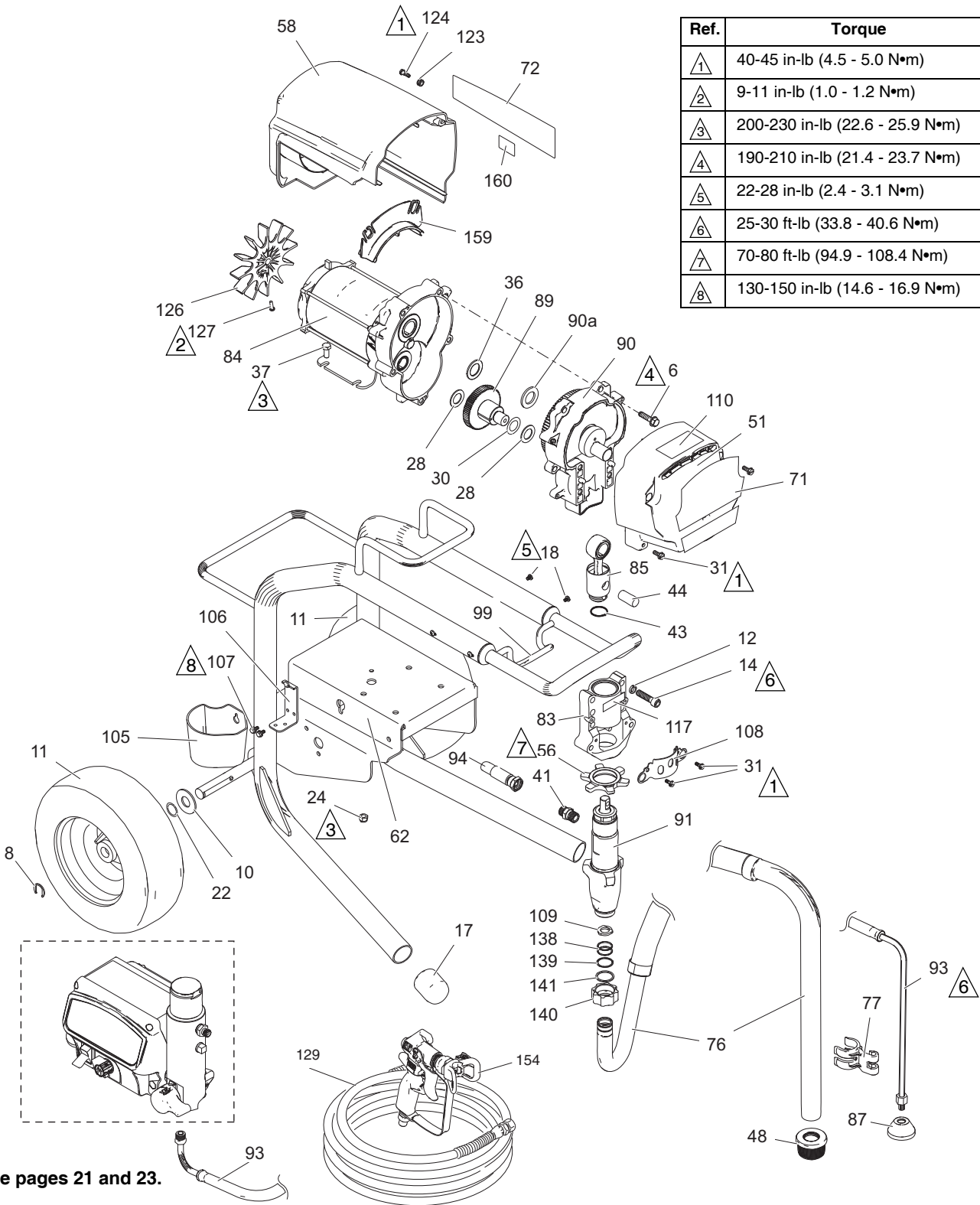
| Mark IV / Mark V / Mark X Standard, ProContractor, IronMan Models |         |         |                 |                       |                |               |                  |                       |  |  |   |  |
|---|---------|---------|-----------------|-----------------------|----------------|---------------|------------------|-----------------------|--|--|---|--|
| Model Number  | Model   | Voltage | Standard Series | Pro Contractor Series | IronMan Series | Flex Plus Gun | Blue Texture Gun | HD Inline Texture Gun | 3/8 in. x 50ft + 1/4 in. x 3 ft whip (9.5mm x 15m + 6.4mm x 0.9m whip) | 3/8 in. x 100 ft + 1/4 in. x 3 ft whip (9.5mm x 30m + 6.4mm x 0.9m whip) | 1/2 in. x 50 ft + 3/8 in. x 12 ft whip (12.7mm x 15m + 9.5mm x 3.7m whip) | 1/2 in. x 100 ft + 3/8 in. x 12 ft whip (12.7mm x 30m + 9.5mm x 3.7m whip) |
| 16W897  | Mark IV | 120     | ✓               |                       |                | ✓             |                  |                       | ✓  |  |   |  |
| 16W898  | Mark IV | 120     |                 | ✓                     |                | ✓             |                  |                       |  | ✓  |   |  |
| 16W905  | Mark V  | 120     | ✓               |                       |                |               | ✓                |                       | ✓  |  |   |  |
| 16W906  | Mark V  | 120     |                 | ✓                     |                |               | ✓                |                       |  | ✓  |   |  |
| 16W939  | Mark V  | 120     | ✓               |                       |                |               | ✓                |                       | ✓  |  |   |  |
| 16W940  | Mark V  | 120     |                 | ✓                     |                |               | ✓                |                       |  | ✓  |   |  |
| 16X947  | Mark V  | 120     |                 |                       | ✓              |               | ✓                |                       |  | ✓  |   |  |
| 16W908  | Mark X  | 230     | ✓               |                       |                |               |                  | ✓                     |  |  | ✓   |  |
| 16X099  | Mark X  | 230     |                 | ✓                     |                |               |                  | ✓                     |  |  |   | ✓  |

# Table of Contents

|  |           |                                       |           |
|--|-----------|---------------------------------------|-----------|
| <b>Models</b> .....                                | <b>2</b>  | <b>Mark X ProContractor</b> .....     | <b>16</b> |
| <b>695 Lo-Boy Standard</b> .....                   | <b>4</b>  | Mark X ProContractor .....            | 17        |
| 695 Lo-Boy Standard Parts List .....               | 5         | <b>1095/1595/Mark V IronMan</b> ..... | <b>18</b> |
| <b>695/795/Mark IV Hi-Boy Standard</b> .....       | <b>6</b>  | 1095/1595/Mark V IronMan .....        | 19        |
| 695/795/Mark IV Hi-Boy Standard Parts List . . . . | 7         | <b>Hose Reel and Gun</b> .....        | <b>20</b> |
| <b>1095/1595/Mark V Hi-Boy Standard</b> .....      | <b>8</b>  | Parts List .....                      | 20        |
| 1095/1595/Mark V Hi-Boy Standard .....             | 9         | <b>Control Box</b> .....              | <b>21</b> |
| <b>Mark X Standard</b> .....                       | <b>10</b> | Parts List .....                      | 21        |
| Mark X Standard Parts List .....                   | 11        | <b>Wiring Diagram</b> .....           | <b>22</b> |
| <b>695/795/MARK IV ProContractor</b> .....         | <b>12</b> | <b>Wiring Diagram</b> .....           | <b>23</b> |
| 695/795/MARK IV ProContractor Parts List . . .     | 13        | <b>Filter</b> .....                   | <b>24</b> |
| <b>1095/1595/MARK V ProContractor</b> .....        | <b>14</b> | Parts List .....                      | 24        |
| 1095/1595/MARK V ProContractor Parts List . .      | 15        | <b>Graco Standard Warranty</b> .....  | <b>25</b> |
|  |           | <b>Graco Information</b> .....        | <b>26</b> |

# 695 Lo-Boy Standard

| Ref. | Torque                          |
|------|---------------------------------|
| 1    | 40-45 in-lb (4.5 - 5.0 N•m)     |
| 2    | 9-11 in-lb (1.0 - 1.2 N•m)      |
| 3    | 200-230 in-lb (22.6 - 25.9 N•m) |
| 4    | 190-210 in-lb (21.4 - 23.7 N•m) |
| 5    | 22-28 in-lb (2.4 - 3.1 N•m)     |
| 6    | 25-30 ft-lb (33.8 - 40.6 N•m)   |
| 7    | 70-80 ft-lb (94.9 - 108.4 N•m)  |
| 8    | 130-150 in-lb (14.6 - 16.9 N•m) |



See pages 21 and 23.

## 695 Lo-Boy Standard Parts List

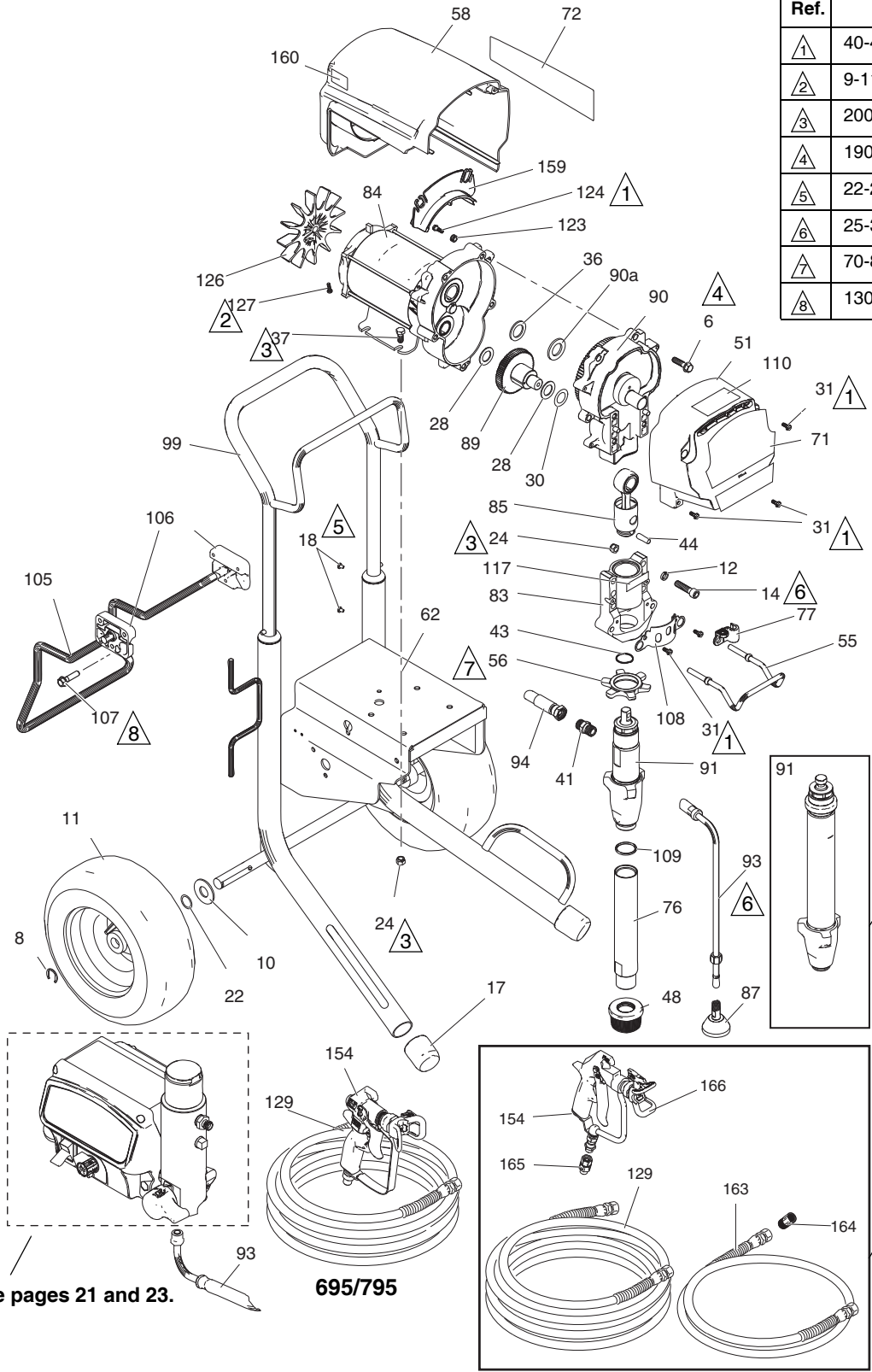
| Ref. | Part   | Description                               | Qty. | Ref. | Part   | Description                         | Qty. |
|------|--------|---|------|------|--------|-------------------------------------|------|
| 6    | 15C753 | SCREW, mach, torx, hex                    | 5    | 85   | 241008 | ROD, connecting; <i>includes 43</i> | 1    |
| 8    | 15E891 | CLIP, retaining                           | 2    | 87   | 241920 | DEFLECTOR, threaded                 | 1    |
| 10   | 156306 | WASHER, flat                              | 2    | 89   | 287289 | GEAR, combination;                  | 1    |
| 11*  | 119420 | WHEEL, pneumatic                          | 2    |      |        | <i>includes 28, 30</i>              |      |
| 12   | 106115 | WASH, lock, spring                        | 4    | 90   | 287283 | HOUSING, drive, M1;                 | 1    |
| 14   | 110141 | SCREW, cap, socket hd                     | 4    |      |        | <i>includes 6, 36, 90a</i>          |      |
| 17   | 15C871 | CAP, leg                                  | 2    | 90a  | 107089 | WASHER, race, thrust                | 1    |
| 18   | 109032 | SCREW, mach, pnh                          | 4    | 91   | 16Y598 | PUMP, displacement 695/795          | 1    |
| 22   | 116038 | WASHER, wave spring                       | 2    | 93   | 248217 | HOSE, drain; <i>includes 87</i>     | 1    |
| 24   | 111040 | NUT, hex, flanged                         | 4    | 94   | 16X904 | HOSE, coupled, 3/8 x 19.5           | 1    |
| 28   | 114672 | WASHER, thrust                            | 2    | 99   | 24A249 | HANDLE, cart                        | 1    |
| 30   | 114699 | WASHER, thrust                            | 1    | 105  | 276975 | CUP, drain                          | 1    |
| 31   | 118444 | SCREW, machine, hex washer hd             | 6    | 106  | 15F952 | BRACKET, drain cup                  | 1    |
| 36   | 116191 | WASHER, thrust                            | 1    | 107  | 114423 | SCREW, mach, hex hd                 | 2    |
| 37   | 100057 | SCREW, cap, hex hd                        | 4    | 108  | 16X770 | SHIELD, pump rod                    | 1    |
| 41   | 196178 | FITTING                                   | 1    | 109  | 115099 | WASHER, garden hose                 | 1    |
| 43   | 176817 | SPRING, retaining                         | 1    | 110  | 16X983 | LABEL, Standard Series              | 1    |
| 44   | 176818 | PIN, str, hdls                            | 1    | 117  | 187437 | LABEL, torque                       | 1    |
| 48   | 189920 | STRAINER, (1-11 1/2 NPSM)                 | 1    | 123  | 276980 | GROMMET, cover                      | 2    |
| 51   | 24V023 | COVER, drive, plastic, painted;           | 1    | 124  | 119250 | SCREW, shoulder, hex washer         | 2    |
|      |        | <i>includes 31</i>                        |      | 126  | 15D088 | FAN, motor                          | 1    |
| 56   | 192723 | NUT, retaining                            | 1    | 127  | 115477 | SCREW, mach, torx, pan hd           | 1    |
| 58   | 287281 | 695 SHIELD, motor, painted;               | 1    | 128▲ | 222385 | TAG, WARNING (not shown)            | 1    |
|      |        | <i>includes 123, 124</i>                  |      | 129  |        | HOSE, cpld, 1/4 in. x 50 ft         | 1    |
| 62   | 24Y424 | FRAME, cart                               | 1    |      | 240794 | Ultra                               |      |
| 71   |        | LABEL                                     | 1    |      | 826079 | Ultimate                            |      |
|      | 16X364 | Ultra 695                                 |      | 138  | 117559 | O-RING                              | 2    |
|      | 16X786 | Ultimate 695                              |      | 139  | 118505 | RING, retaining, external           | 1    |
| 72   |        | LABEL                                     | 1    | 140  | 15C980 | NUT, jam                            | 1    |
|      | 16X365 | Ultra 695                                 |      | 141  | 15C981 | WASHER, suction swivel              | 1    |
|      | 16X787 | Ultimate 695                              |      | 154  | 288420 | GUN, contractor                     | 1    |
| 76   | 248216 | HOSE, suction;                            | 1    |      |        | Manual 311861                       |      |
|      |        | <i>includes 109, 138, 139, 140, 141</i>   |      | 159  | 278075 | BAFFLE                              | 1    |
| 77   | 15D000 | CLIP, drain line                          | 1    | 160  | 15Y118 | LABEL, Made in USA                  | 1    |
| 83   | 24V026 | HOUSING, bearing;                         | 1    |      |        |                                     |      |
|      |        | <i>includes 12, 14, 31, 108, 117</i>      |      |      |        |                                     |      |
| 84   | 257185 | MOTOR, electric; <i>includes 126, 127</i> | 1    |      |        |                                     |      |

\* 253132 KIT, repair, tube, 11 in.

▲Extra Danger & Warning tags & labels available free.

# 695/795/Mark IV Hi-Boy Standard

| Ref. | Torque                          |
|------|---------------------------------|
| △1   | 40-45 in-lb (4.5 - 5.0 N•m)     |
| △2   | 9-11 in-lb (1.0 - 1.2 N•m)      |
| △3   | 200-230 in-lb (22.6 - 25.9 N•m) |
| △4   | 190-210 in-lb (21.4 - 23.7 N•m) |
| △5   | 22-28 in-lb (2.4 - 3.1 N•m)     |
| △6   | 25-30 ft-lb (33.8 - 40.6 N•m)   |
| △7   | 70-80 ft-lb (94.9 - 108.4 N•m)  |
| △8   | 130-150 in-lb (14.6 - 16.9 N•m) |



Mark IV

Mark IV

See pages 21 and 23.

695/795

## 695/795/Mark IV Hi-Boy Standard Parts List

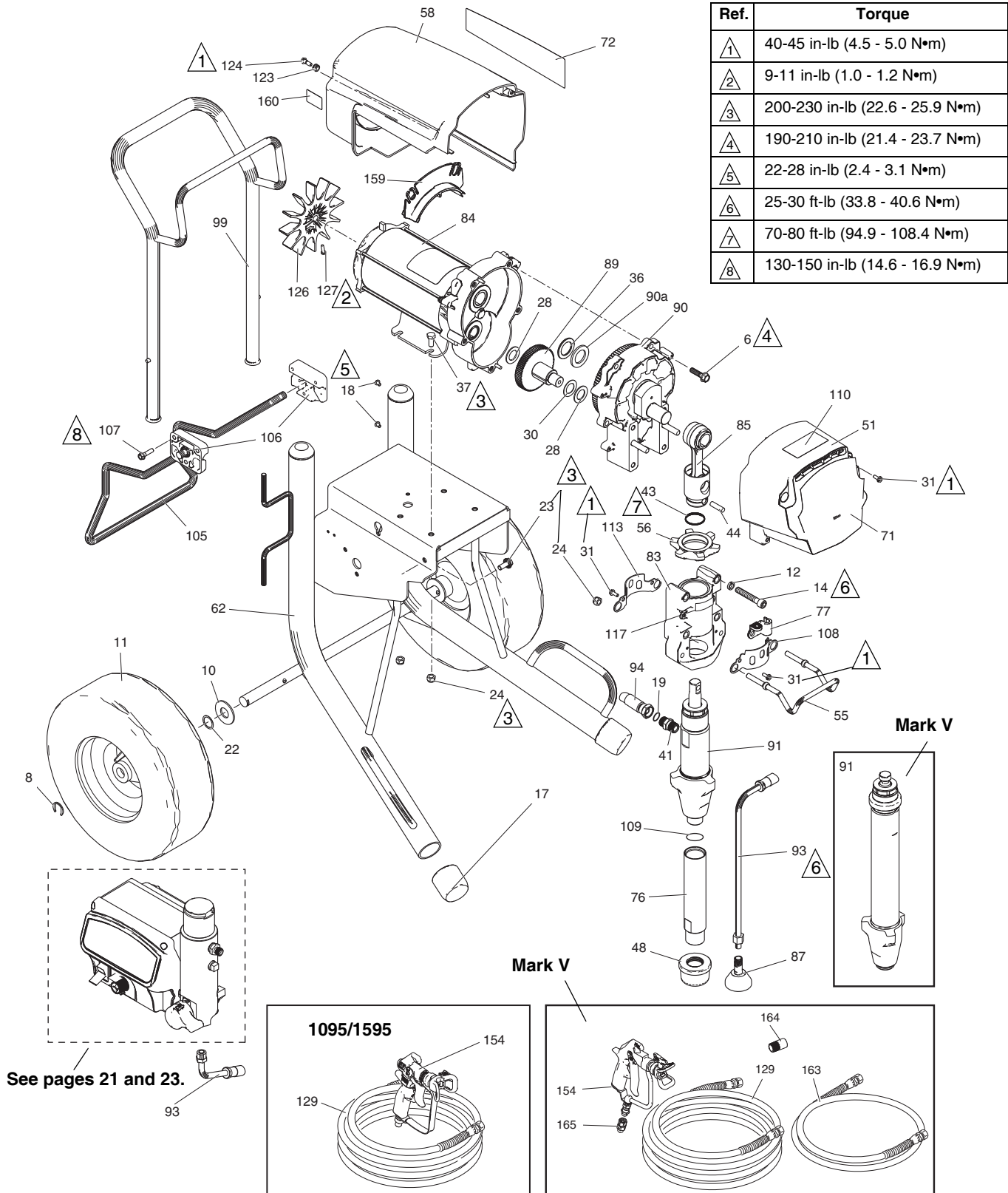
| Ref. | Part   | Description  | Qty. | Ref. | Part   | Description                                       | Qty. |
|------|--------|--|------|------|--------|---|------|
| 6    | 15C753 | SCREW, mach, torx, hex   | 5    | 89   | 287289 | GEAR, combination;<br><i>includes 28, 30</i>      | 1    |
| 8    | 15E891 | CLIP, retaining  | 2    |      |        |   |      |
| 10   | 156306 | WASHER, flat   | 2    | 90   |        | HOUSING, drive, M1;<br><i>includes 6, 36, 90a</i> | 1    |
| 11*  | 119420 | WHEEL, pneumatic   | 2    |      |        |   |      |
| 12   | 106115 | WASH, lock, spring   | 4    |      | 287283 | 695   |      |
| 14   | 110141 | SCREW, cap, socket hd  | 4    |      | 287284 | 795/Mark IV                                       |      |
| 17   | 15C871 | CAP, leg   | 2    | 90a  | 107089 | WASHER, race, thrust                              | 1    |
| 18   | 109032 | SCREW, mach, prnh  | 4    | 91   |        | PUMP, displacement;<br><i>includes 41, 109</i>    | 1    |
| 22   | 116038 | WASHER, wave spring  | 2    |      |        |   |      |
| 24   | 111040 | NUT, hex, flanged  | 6    |      | 16Y598 | 695/795   |      |
| 28   | 114672 | WASHER, thrust   | 2    |      | 16X428 | Mark IV   |      |
| 30   | 114699 | WASHER, thrust   | 1    | 93   | 244240 | HOSE, coupled; <i>includes 87</i>                 | 1    |
| 31   | 118444 | SCREW, machine, hex washer hd                                      | 6    | 94   | 16X904 | HOSE, coupled, 3/8 x 19.5                         | 1    |
| 36   | 116191 | WASHER, thrust   | 1    | 99   | 287489 | HANDLE, cart                                      | 1    |
| 37   | 100057 | SCREW, cap, hex hd   | 4    | 105  | 16X695 | HANGER, stand, cart                               | 1    |
| 41   | 196178 | FITTING  | 1    | 106  | 15C982 | CAM, cart   | 2    |
| 43   | 176817 | SPRING, retaining  | 1    | 107  | 114531 | SCREW, mach, hex washer                           | 4    |
| 44   | 176818 | PIN, str, hdls   | 1    | 108  | 16X770 | SHIELD, pump rod                                  | 1    |
| 48   | 189920 | STRAINER, (1-11 1/2 NPSM)  | 1    | 109  | 118494 | PACKING, o-ring                                   | 1    |
| 51   | 24V023 | COVER, drive, plastic, painted;<br><i>includes 31</i>              | 1    | 110  | 16X983 | LABEL, Standard Series                            | 1    |
|      |        |  |      | 117  | 187437 | LABEL, torque                                     | 1    |
| 55   | 16C457 | HANGER, pail   | 1    | 123  | 276980 | GROMMET, cover                                    | 2    |
| 56   | 192723 | NUT, retaining   | 1    | 124  | 119250 | SCREW, shoulder, hex, washer                      | 2    |
| 58   |        | SHIELD, motor, painted;<br><i>includes 123, 124</i>                | 1    | 126  | 15D088 | FAN, motor  | 1    |
|      |        |  |      | 127  | 115477 | SCREW, mach, torx, pan, hd                        | 1    |
|      | 287281 | 695  |      | 128▲ | 222385 | TAG, WARNING (not shown)                          | 1    |
|      | 287282 | 795/Mark IV  |      | 129  |        | HOSE, cpld  | 1    |
| 62   | 24Y429 | FRAME, cart  | 1    |      | 240794 | 695/795 Ultra                                     |      |
| 71   |        | LABEL  | 1    |      | 826079 | 695/795 Ultimate                                  |      |
|      | 16X364 | Ultra 695  |      |      | 240797 | Mark IV   |      |
|      | 16X367 | Ultra 795  |      | 154  |        | GUN, contractor                                   | 1    |
|      | 16X786 | Ultimate 695   |      |      | 288420 | 695/795   |      |
|      | 16X788 | Ultimate 795   |      |      | 246468 | Mark IV   |      |
|      | 16X357 | TexSpray Mark IV   |      | 159  | 278075 | BAFFLE  | 1    |
| 72   |        | LABEL  | 1    | 160  | 15Y118 | LABEL, Made in USA                                | 1    |
|      | 16X365 | Ultra 695  |      | 163  | 241735 | HOSE, coupled, 1/4 in. x 3 ft                     | 1    |
|      | 16X366 | Ultra 795  |      | 164  | 159841 | BUSHING, 3/8 in. x 1/4 in.                        | 1    |
|      | 16X787 | Ultimate 695   |      | 165  | 189018 | SWIVEL, assembly                                  | 1    |
|      | 16X789 | Ultimate 795   |      | 166  | 246215 | GUARD, RAC X                                      | 1    |
|      | 17A135 | TexSpray Mark IV   |      |      |        |   |      |
| 76   | 248214 | TUBE, intake; <i>includes 109</i>                                  | 1    |      |        |   |      |
| 77   | 278204 | CLIP, spring   | 1    |      |        |   |      |
| 83   | 24V026 | HOUSING, bearing; <i>includes 12, 14, 24, 31, 55, 77, 108, 117</i> | 1    |      |        |   |      |
| 84   |        | MOTOR, electric; <i>includes 106, 127</i>                          | 1    |      |        |   |      |
|      | 257185 | 695  |      |      |        |   |      |
|      | 257186 | 795/Mark IV  |      |      |        |   |      |
| 85   | 241008 | ROD, connecting; <i>includes 43</i>                                | 1    |      |        |   |      |
| 87   | 241920 | DEFLECTOR, threaded  | 1    |      |        |   |      |

▲ Extra Danger and Warning tags and labels available free.

\* 253132 KIT, repair, tube

# 1095/1595/Mark V Hi-Boy Standard

| Ref. | Torque                          |
|------|---------------------------------|
| ①    | 40-45 in-lb (4.5 - 5.0 N•m)     |
| ②    | 9-11 in-lb (1.0 - 1.2 N•m)      |
| ③    | 200-230 in-lb (22.6 - 25.9 N•m) |
| ④    | 190-210 in-lb (21.4 - 23.7 N•m) |
| ⑤    | 22-28 in-lb (2.4 - 3.1 N•m)     |
| ⑥    | 25-30 ft-lb (33.8 - 40.6 N•m)   |
| ⑦    | 70-80 ft-lb (94.9 - 108.4 N•m)  |
| ⑧    | 130-150 in-lb (14.6 - 16.9 N•m) |



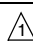

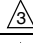
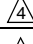
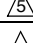
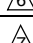
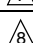



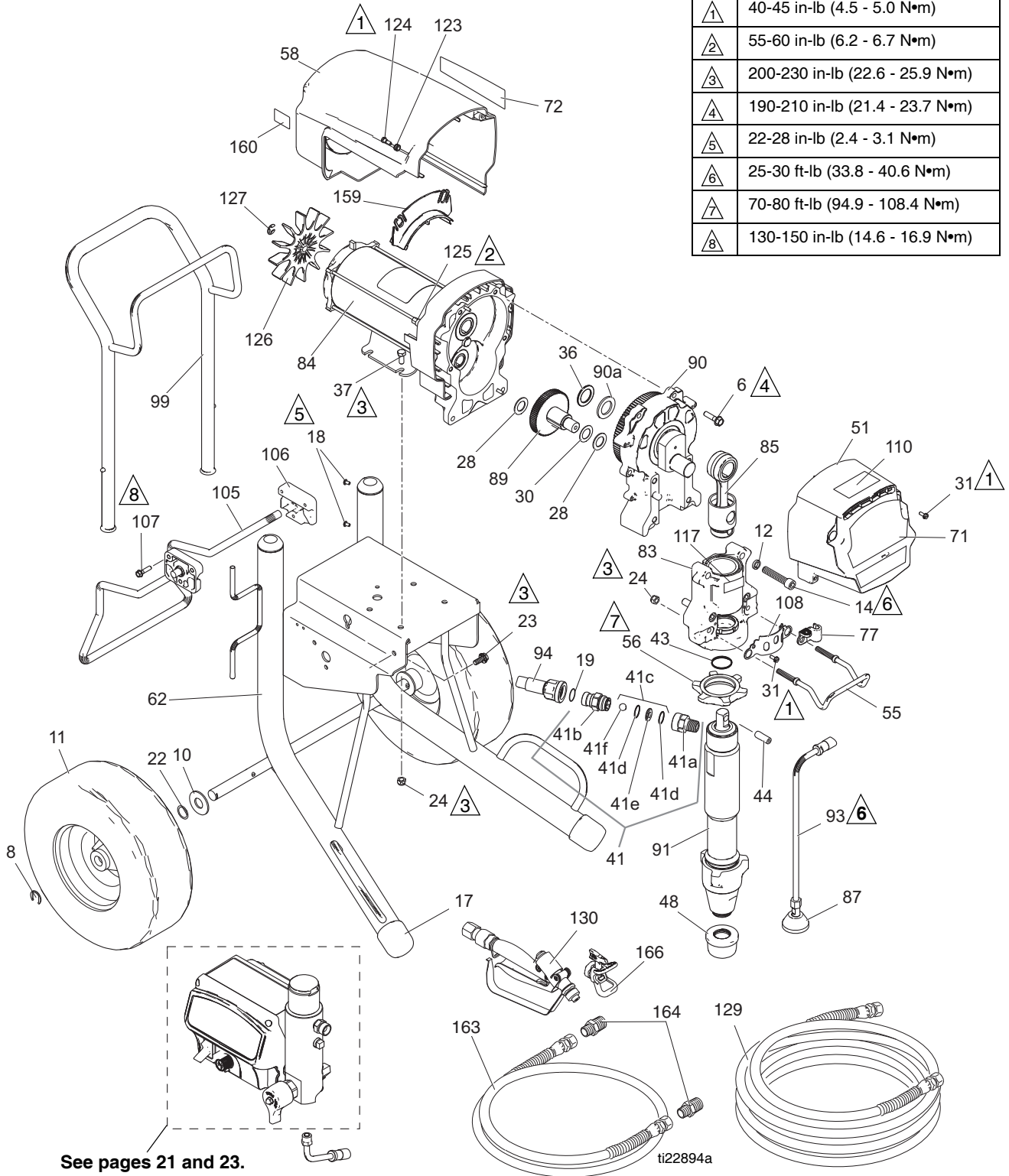
## 1095/1595/Mark V Hi-Boy Standard

| Ref. | Part   | Description                              | Qty. | Ref. | Part   | Description                             | Qty. |
|------|--------|--|------|------|--------|---|------|
| 6    | 15C753 | SCREW, mach, torx, hex                   | 5    | 85   | 24V021 | ROD, connecting; <i>includes 43, 44</i> | 1    |
| 8    | 15E891 | CLIP, retaining                          | 2    | 87   | 241920 | DEFLECTOR, threaded                     | 1    |
| 10   | 156306 | WASHER, flat                             | 2    | 89   | 287290 | GEAR, combination;                      | 1    |
| 11*  | 119509 | WHEEL, pneumatic                         | 2    |      |        | <i>includes 28, 30</i>                  |      |
| 12   | 106115 | WASH, lock, spring                       | 4    | 90   |        | HOUSING, drive, M1;                     | 1    |
| 14   | 114666 | SCREW, cap, socket hd                    | 4    |      |        | <i>includes 6, 36, 90a</i>              |      |
| 17   | 276974 | CAP, leg                                 | 2    |      | 287294 | 1095                                    |      |
| 18   | 108795 | SCREW, mach, pnh                         | 4    |      | 287295 | 1595/Mark V                             |      |
| 19   | 102982 | PACKING, o-ring (Mark V)                 | 1    | 90a  | 194173 | WASHER, race, thrust                    | 1    |
| 22   | 116038 | WASHER, wave spring                      | 2    | 91   |        | PUMP, displacement;                     | 1    |
| 23   | 117791 | SCREW, cap, flng hd                      | 2    |      |        | <i>includes 41, 76, 109</i>             |      |
| 24   | 111040 | NUT, hex, flanged                        | 6    |      | 16Y706 | 1095/1595                               |      |
| 28   | 114672 | WASHER, thrust                           | 2    |      | 16X429 | Mark V                                  |      |
| 30   | 114699 | WASHER, thrust                           | 1    | 93   | 244240 | HOSE, drain; <i>includes 87</i>         | 1    |
| 31   | 118444 | SCREW, machine, hex washer hd            | 8    | 94   |        | HOSE, coupled 3/8 x 15.75               | 1    |
| 36   | 116192 | WASHER, thrust                           | 1    |      | 16X904 | 1095/1595                               |      |
| 37   | 100057 | SCREW, cap, hex hd                       | 4    |      | 24V029 | Mark V; <i>includes 19</i>              |      |
| 41   |        | FITTING, pump, quick disc                | 1    | 99   | 24A250 | HANDLE, cart                            | 1    |
|      | 196178 | 1095/1595                                |      | 105  | 16X696 | HANGER, stand, cart                     | 1    |
|      | 16X834 | Mark V                                   |      | 106  | 15C982 | CAM, cart                               | 2    |
| 43   | 119778 | SPRING, retaining                        | 1    | 107  | 114531 | SCREW, mach, hex washer                 | 4    |
| 44   | 183210 | PIN, pump                                | 1    | 108  | 16X770 | PUMP, shield rod                        | 1    |
| 48   | 189920 | STRAINER, (1-11 1/2 NPSM)                | 1    | 109  | 118494 | PACKING, o-ring                         | 1    |
| 51   | 24V024 | COVER, drive, plastic, painted;          | 1    | 110  | 16X983 | LABEL, Standard Series                  | 1    |
|      |        | <i>includes 31</i>                       |      | 113  | 15C762 | SHIELD, pump rod                        | 1    |
| 55   | 16C457 | HANGER, pail                             | 1    | 117  | 187437 | LABEL, torque                           | 1    |
| 56   | 193031 | NUT, retaining                           | 1    | 123  | 276980 | GROMMET, cover                          | 2    |
| 58   | 287282 | SHIELD, motor, painted;                  | 1    | 124  | 119250 | SCREW, shoulder, hex, washer            | 3    |
|      |        | <i>includes 123, 124</i>                 |      | 126  | 15D088 | FAN, motor                              | 1    |
| 62   | 24Y428 | FRAME, cart 1095/1595                    | 1    | 127  | 115477 | SCREW, mach, torx, pan, hd              | 1    |
| 71   |        | LABEL, UltraMax                          | 1    | 128▲ | 222385 | TAG, WARNING (not shown)                | 1    |
|      | 16X368 | Ultra 1095                               |      | 129  |        | HOSE, cpld                              | 1    |
|      | 16X371 | Ultra 1595                               |      |      | 240794 | Ultra 1095/1595                         |      |
|      | 16X790 | Ultimate 1095                            |      |      | 826079 | Ultimate 1095/1595                      |      |
|      | 16X792 | Ultimate 1595                            |      |      | 240797 | Mark V                                  |      |
|      | 16X360 | TexSpray Mark V                          |      | 154  |        | GUN, contractor 1095/1595               | 1    |
| 72   |        | LABEL, UltraMax II 1095/1595             | 1    |      | 288420 | 1095/1595                               |      |
|      | 16X369 | Ultra 1095                               |      |      | 241705 | Mark V                                  |      |
|      | 16X370 | Ultra 1595                               |      | 159  | 278075 | BAFFLE                                  | 1    |
|      | 16X791 | Ultimate 1095                            |      | 160  | 15Y118 | LABEL, Made in USA                      | 1    |
|      | 16X793 | Ultimate 1595                            |      | 163  | 241735 | HOSE, cpld, 1/4 in. x 3 ft              | 1    |
|      | 16X361 | TexSpray Mark V                          |      | 164  | 159841 | BUSHING, 3/8 in. x 1/4 in.              | 1    |
| 76   | 248215 | TUBE, intake; <i>includes 109</i>        | 1    | 165  | 189018 | SWIVEL, assembly                        | 1    |
| 77   | 278204 | CLIP, drain line                         | 1    |      |        |   |      |
| 83   | 24V027 | HOUSING, bearing; <i>includes 12,</i>    | 1    |      |        |   |      |
|      |        | <i>14, 24, 31, 55, 77, 108, 113, 117</i> |      |      |        |   |      |
| 84   |        | MOTOR, electric;                         | 1    |      |        |   |      |
|      |        | <i>includes 126, 127</i>                 |      |      |        |   |      |
|      | 257187 | 1095                                     |      |      |        |   |      |
|      | 257188 | 1595                                     |      |      |        |   |      |

▲ *Extra Danger and Warning tags and labels available free.*  
 \* *253131 KIT, repair, tube*

# Mark X Standard

| Ref.  | Torque                          |
|---|---------------------------------|
|  | 40-45 in-lb (4.5 - 5.0 N•m)     |
|  | 55-60 in-lb (6.2 - 6.7 N•m)     |
|  | 200-230 in-lb (22.6 - 25.9 N•m) |
|  | 190-210 in-lb (21.4 - 23.7 N•m) |
|  | 22-28 in-lb (2.4 - 3.1 N•m)     |
|  | 25-30 ft-lb (33.8 - 40.6 N•m)   |
|  | 70-80 ft-lb (94.9 - 108.4 N•m)  |
|  | 130-150 in-lb (14.6 - 16.9 N•m) |



See pages 21 and 23.

## Mark X Standard Parts List

| Ref. | Part   | Description   | Qty. | Ref. | Part   | Description  | Qty. |
|------|--------|---|------|------|--------|--|------|
| 6    | 15C753 | SCREW, mach, torx, hex                                  | 6    | 83   | 24V028 | HOUSING, bearing; <i>includes 12, 14, 24, 31, 55, 77, 108, 117</i> | 1    |
| 8    | 15E891 | CLIP, retaining   | 2    | 84   | 258909 | MOTOR, electric; <i>includes 125, 126, 127</i>                     | 1    |
| 10   | 156306 | WASHER, flat  | 2    | 85   | 24V022 | ROD, connecting; <i>includes 43, 44</i>                            | 1    |
| 11*  | 119509 | WHEEL, pneumatic  | 2    | 87   | 241920 | DEFLECTOR, threaded  | 1    |
| 12   | 112600 | WASH, lock, spring                                      | 4    | 89   | 288035 | GEAR, combination; <i>includes 28, 30</i>                          | 1    |
| 14   | 112599 | SCREW, cap, socket hd                                   | 4    | 90   | 287990 | HOUSING, drive; <i>includes 6, 36, 90a</i>                         | 1    |
| 17   | 276974 | CAP, leg  | 2    | 90a  | 194173 | WASHER, race, thrust   | 1    |
| 18   | 108795 | SCREW, mach, pnh  | 4    | 91   | 16X425 | PUMP, displacement   | 1    |
| 19   | 102982 | O-RING  | 1    | 93   | 244240 | HOSE, drain; <i>includes 87</i>                                    | 1    |
| 22   | 116038 | WASHER, wave spring                                     | 2    | 94   | 24V029 | HOSE, coupled; <i>includes 19</i>                                  | 1    |
| 23   | 117791 | SCREW, cap, flng hd                                     | 2    | 99   | 24A250 | HANDLE, cart   | 1    |
| 24   | 111040 | NUT, lock   | 6    | 105  | 16X696 | HANGER, stand, cart  | 1    |
| 28   | 114672 | WASHER, thrust  | 2    | 106  | 15C982 | CAM, cart  | 2    |
| 30   | 114699 | WASHER, thrust  | 1    | 107  | 114531 | SCREW, mach, hex washer  | 4    |
| 31   | 118444 | SCREW, machine, hex washer hd                           | 6    | 108  | 16X770 | SHIELD, pump rod   | 1    |
| 36   | 116192 | WASHER, thrust  | 1    | 110  | 16X983 | LABEL, Standard series   | 1    |
| 37   | 100057 | SCREW, cap, hex hd                                      | 4    | 117  | 187437 | LABEL, torque  | 1    |
| 41   | 24U755 | VALVE, check, quick disc                                | 1    | 123  | 276980 | GROMMET, cover   | 2    |
| 41a  | 16N461 | HOUSING, seat, check valve                              | 1    | 124  | 119250 | SCREW, shoulder, hex, washer                                       | 3    |
| 41b  | 16X837 | HOUSING, ball, check valve                              | 1    | 125  | 15G845 | SPACER, standoff   | 2    |
| 41c  | 24M725 | KIT, repair, check valve; <i>includes 41d, 41e, 41f</i> | 1    | 126  | 15V577 | FAN, motor   | 1    |
| 41d  |        | O-RING  | 2    | 127  | 122347 | SCREW, mach, torx, pan, hd   | 1    |
| 41e  |        | SEAT  | 1    | 128▲ | 222385 | TAG, WARNING (not shown)   | 1    |
| 41f  |        | BALL  | 1    | 129  | 278499 | HOSE, cpld, 1/2 in. x 50 ft  | 1    |
| 43   | 119677 | SPRING, retaining                                       | 1    | 130  | 245820 | GUN, spray, texture  | 1    |
| 44   | 197443 | PIN, pump   | 1    | 159  | 278075 | BAFFLE   | 1    |
| 48   | 189920 | STRAINER, (1-11 1/2 NPSM)                               | 1    | 160  | 15Y118 | LABEL, Made in USA   | 1    |
| 51   | 24V025 | COVER, drive, plastic, painted; <i>includes 31</i>      | 1    | 163  | 191239 | HOSE, cpld, 3/8 in. x 12 ft  | 1    |
| 55   | 16C457 | HANGER, pail  | 1    | 164  | 159239 | ADAPTER  | 2    |
| 56   | 193394 | NUT, retaining  | 1    | 166  | 246215 | GUARD, RAC X   | 1    |
| 58   | 287282 | SHIELD, motor, painted; <i>includes 123, 124</i>        | 1    |      |        |  |      |
| 62   | 24Y428 | FRAME, cart   | 1    |      |        |  |      |
| 71   | 16X362 | LABEL, Mark X   | 1    |      |        |  |      |
| 72   | 16X363 | LABEL, Mark X   | 1    |      |        |  |      |
| 77   | 278204 | CLIP, drain line  | 1    |      |        |  |      |

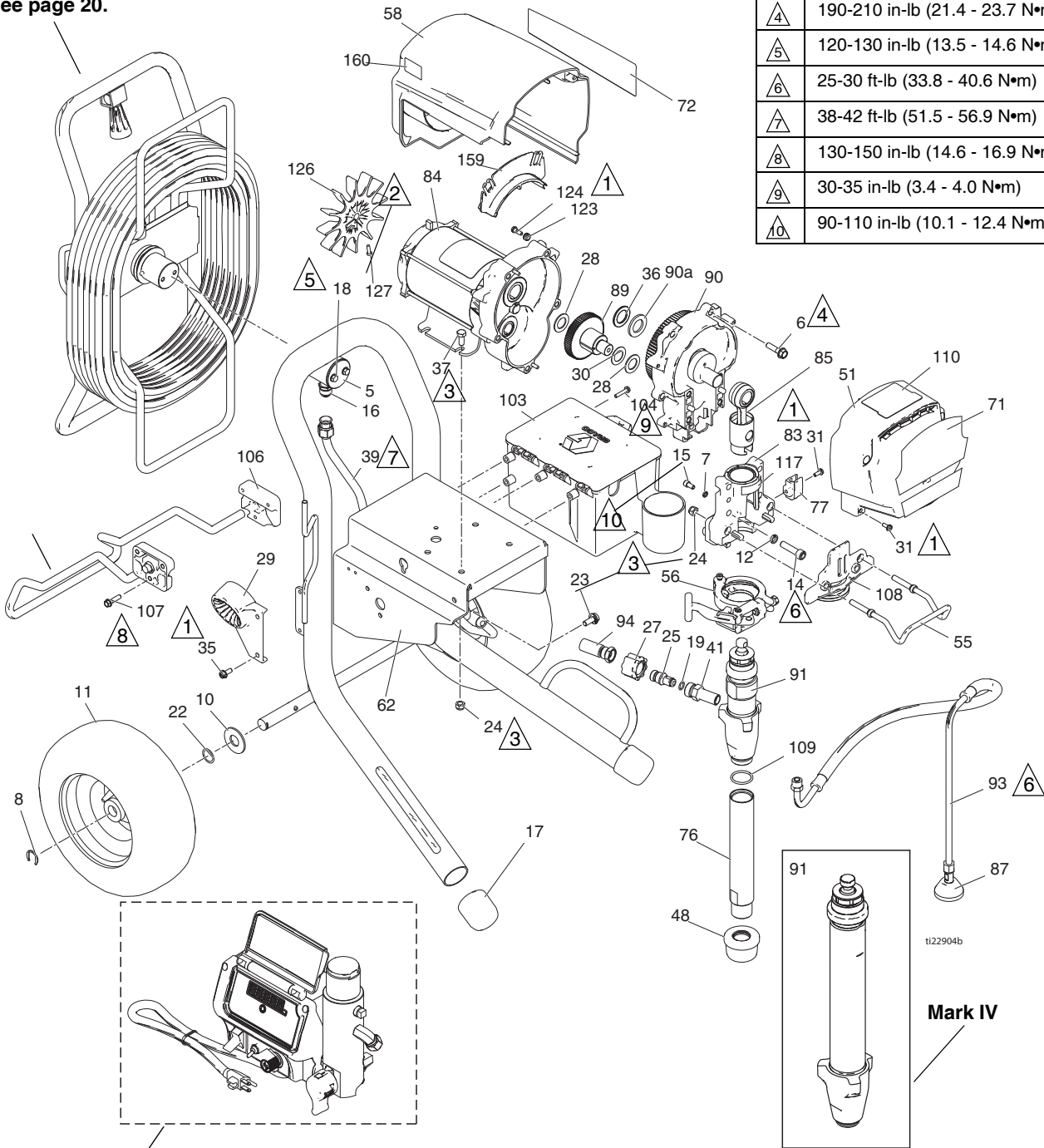
▲ Extra Danger and Warning tags and labels available free.

\* 253131 KIT, repair, tube

# 695/795/MARK IV ProContractor

| Ref. | Torque                          |
|------|---------------------------------|
| △1   | 40-45 in-lb (4.5 - 5.0 N•m)     |
| △2   | 9-11 in-lb (1.0 - 1.2 N•m)      |
| △3   | 200-230 in-lb (22.6 - 25.9 N•m) |
| △4   | 190-210 in-lb (21.4 - 23.7 N•m) |
| △5   | 120-130 in-lb (13.5 - 14.6 N•m) |
| △6   | 25-30 ft-lb (33.8 - 40.6 N•m)   |
| △7   | 38-42 ft-lb (51.5 - 56.9 N•m)   |
| △8   | 130-150 in-lb (14.6 - 16.9 N•m) |
| △9   | 30-35 in-lb (3.4 - 4.0 N•m)     |
| △10  | 90-110 in-lb (10.1 - 12.4 N•m)  |

See page 20.



See pages 21 and 23.

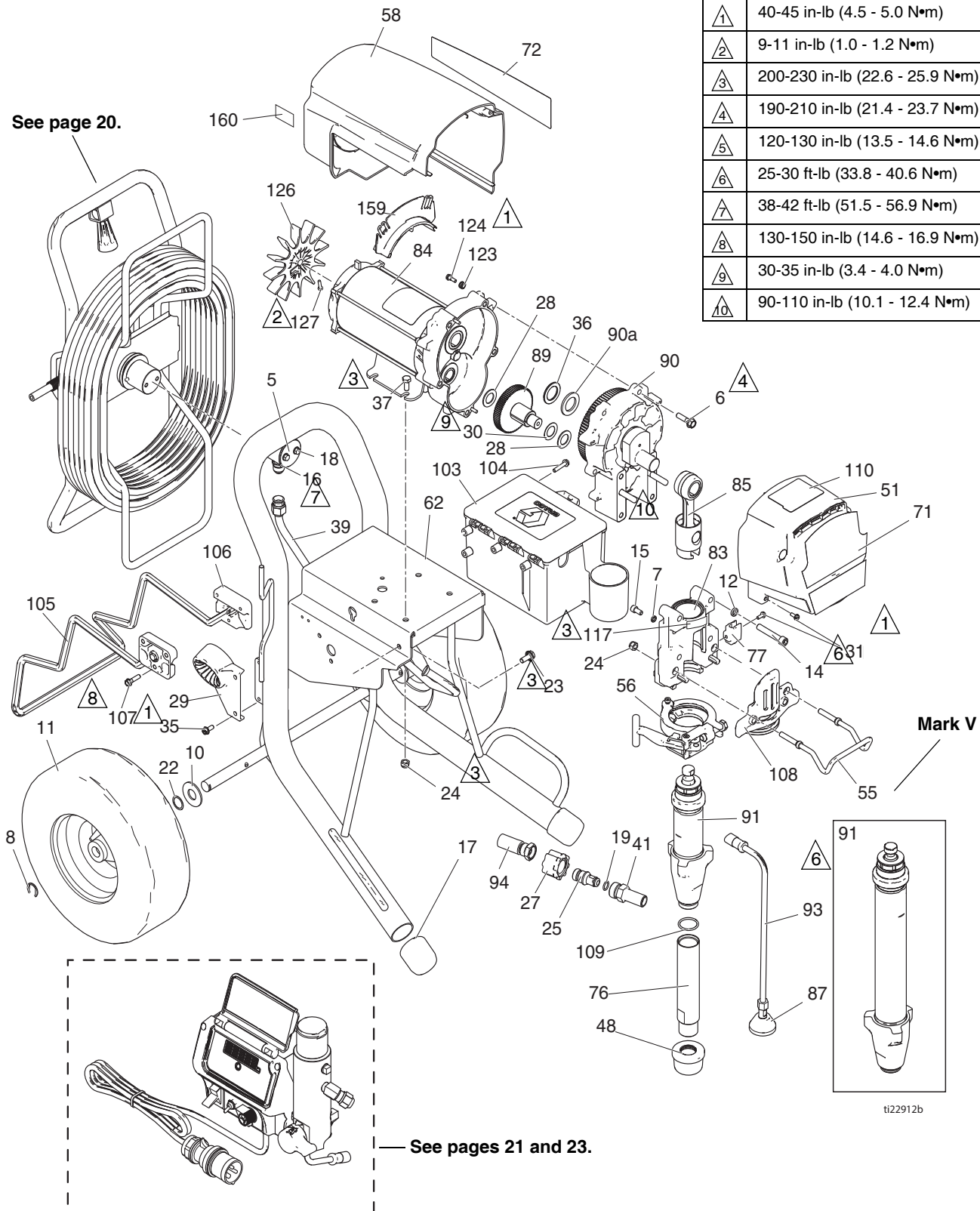
## 695/795/MARK IV ProContractor Parts List

| Ref. | Part   | Description                     | Qty. | Ref. | Part   | Description   | Qty. |
|------|--------|---------------------------------|------|------|--------|---|------|
| 5    | 16C975 | PLATE, pivot                    | 1    | 76   | 248214 | TUBE, intake; <i>includes 109</i>   | 1    |
| 6    | 15C753 | SCREW, mach, hex wash hd        | 5    | 77   | 16X203 | CLIP, drain line  | 1    |
| 7    | 105510 | WASHER, lock, spring            | 2    | 83   | 24V087 | HOUSING, bearing; <i>includes 7, 12, 14, 15, 24, 31, 55, 56, 77, 108, 117</i> | 1    |
| 8    | 15E891 | CLIP, retaining                 | 2    |      |        |   |      |
| 10   | 156306 | WASHER, flat                    | 2    | 84   |        | MOTOR, electric   | 1    |
| 11   | 119420 | WHEEL, pneumatic                | 2    |      | 257185 | 695 Models  |      |
| 12   | 106115 | WASHER, lock (hi-collar)        | 4    |      | 257186 | 795 Models  |      |
| 14   | 110141 | SCREW, cap, sch                 | 4    | 85   | 24V084 | ROD, connecting   | 1    |
| 15   | 101550 | SCREW, cap, sch                 | 2    | 87   | 241920 | DEFLECTOR, threaded   | 1    |
| 16   | 121311 | FITTING, connector              | 1    | 89   | 287289 | GEAR, combination;  | 1    |
| 17   | 276974 | CAP, leg                        | 2    |      |        | <i>includes 28, 30</i>  |      |
| 18   | 260212 | SCREW, hex washer hd            | 2    | 90   |        | HOUSING, drive, M1;   | 1    |
| 19   |        | PACKING, o-ring                 | 1    |      |        | <i>includes 6, 36, 90a</i>  |      |
|      | 107505 | 695/795                         |      |      | 24V032 | 695 Models  |      |
|      | 102982 | Mark IV                         |      |      | 24V033 | 795/Mark IV   |      |
| 22   | 116038 | WASHER, wave spring             | 2    | 90a  | 107089 | WASHER, race, thrust  | 1    |
| 23   | 117791 | SCREW, cap tri lobe             | 2    | 91   | 16X414 | PUMP, displacement, 695/795;  | 1    |
| 24   | 111040 | NUT, lock, nylon, thin pattern  | 6    |      |        | <i>includes 41, 109</i>   |      |
| 25   | 16X833 | FITTING, QD, 695/795            | 1    |      | 16X418 | PUMP, displacement, Mark IV   |      |
| 27   | 120583 | NUT, hand, 695/795              | 1    | 93   | 244240 | HOSE, drain, ultra hi-boy;  | 1    |
| 28   | 114672 | WASHER, thrust                  | 2    |      |        | <i>includes 87</i>  |      |
| 29   | 278083 | GUIDE, hose, platinum           | 1    | 94   |        | HOSE, coupled 3/8 x 15.75   | 1    |
| 30   | 114699 | WASHER, thrust                  | 1    |      | 16X904 | 695/795   |      |
| 31   | 118444 | SCREW, mach, slot hex wash hd   | 5    |      | 24V029 | Mark IV; <i>includes 19</i>   |      |
| 35   | 117633 | SCREW, slot hex wash hd         | 2    | 103  | 287253 | TOOL BOX; <i>includes 104</i>   | 1    |
| 36   | 116191 | WASHER, thrust, 1095/795        | 1    | 104  | 118852 | SCREW, thd forming, hex   | 3    |
| 37   | 100057 | SCREW, cap, hex hd              | 4    |      |        | washer hd   |      |
| 39   | 24V095 | TUBE, formed, ultra, platinum   | 1    | 105  | 16X697 | HANGER, stand   | 1    |
| 41   |        | FITTING                         | 1    | 106  | 15C982 | CAM, cart   | 2    |
|      | 16Y579 | 695/795                         |      | 107  | 114531 | SCREW, mach, hex washer hd  | 4    |
|      | 16X834 | Mark IV                         |      | 108  | 16X228 | PLATE, front, 3900 PC11   | 1    |
| 48   | 189920 | STRAINER, (1-11 1/2 npsm)       | 1    | 109  | 118494 | PACKING, o-ring   | 1    |
| 51   | 24V023 | COVER, drive, plastic, painted; | 1    | 110  | 16X981 | LABEL, ProContractor Series   | 1    |
|      |        | <i>includes 31</i>              |      | 117  | 187437 | LABEL, torque   | 1    |
| 55   | 16C457 | HANGER, pail                    | 1    | 123  | 276980 | GROMMET, cover  | 2    |
| 56   | 16X322 | CLAMP, pump                     | 1    | 124  | 119250 | SCREW, shoulder   | 2    |
| 58   |        | SHIELD, motor, painted;         | 1    | 126  | 15D088 | FAN, motor  | 1    |
|      |        | <i>includes 123, 124</i>        |      | 127  | 115477 | SCREW, mach, torx pan hd  | 1    |
|      | 287281 | 695 Models                      |      | 128▲ | 222385 | TAG, warning (not shown)  | 1    |
|      | 287282 | 795/Mark IV Models              |      | 159  | 278075 | BRACKET, wire   | 1    |
| 62   | 24Y427 | FRAME, platinum, 695/795        | 1    | 160  | 15Y118 | LABEL, Made in the USA  | 1    |
| 71   |        | LABEL, brand, front             | 1    |      |        |   |      |
|      | 16X364 | 695 Ultra                       |      |      |        |   |      |
|      | 16X367 | 795 Ultra                       |      |      |        |   |      |
|      | 16X786 | 695 Ultimate                    |      |      |        |   |      |
|      | 16X788 | 795 Ultimate                    |      |      |        |   |      |
|      | 16X357 | Mark IV TexSpray                |      |      |        |   |      |
| 72   |        | LABEL, brand, side              | 1    |      |        |   |      |
|      | 16X365 | 695 Ultra                       |      |      |        |   |      |
|      | 16X366 | 795 Ultra                       |      |      |        |   |      |
|      | 17A135 | Mark IV TexSpray                |      |      |        |   |      |
|      | 16X787 | 695 Ultimate                    |      |      |        |   |      |
|      | 16X789 | 795 Ultimate                    |      |      |        |   |      |

▲ Extra Danger and Warning tags and labels available free.

# 1095/1595/MARK V ProContractor

| Ref. | Torque                          |
|------|---------------------------------|
| ①    | 40-45 in-lb (4.5 - 5.0 N•m)     |
| ②    | 9-11 in-lb (1.0 - 1.2 N•m)      |
| ③    | 200-230 in-lb (22.6 - 25.9 N•m) |
| ④    | 190-210 in-lb (21.4 - 23.7 N•m) |
| ⑤    | 120-130 in-lb (13.5 - 14.6 N•m) |
| ⑥    | 25-30 ft-lb (33.8 - 40.6 N•m)   |
| ⑦    | 38-42 ft-lb (51.5 - 56.9 N•m)   |
| ⑧    | 130-150 in-lb (14.6 - 16.9 N•m) |
| ⑨    | 30-35 in-lb (3.4 - 4.0 N•m)     |
| ⑩    | 90-110 in-lb (10.1 - 12.4 N•m)  |



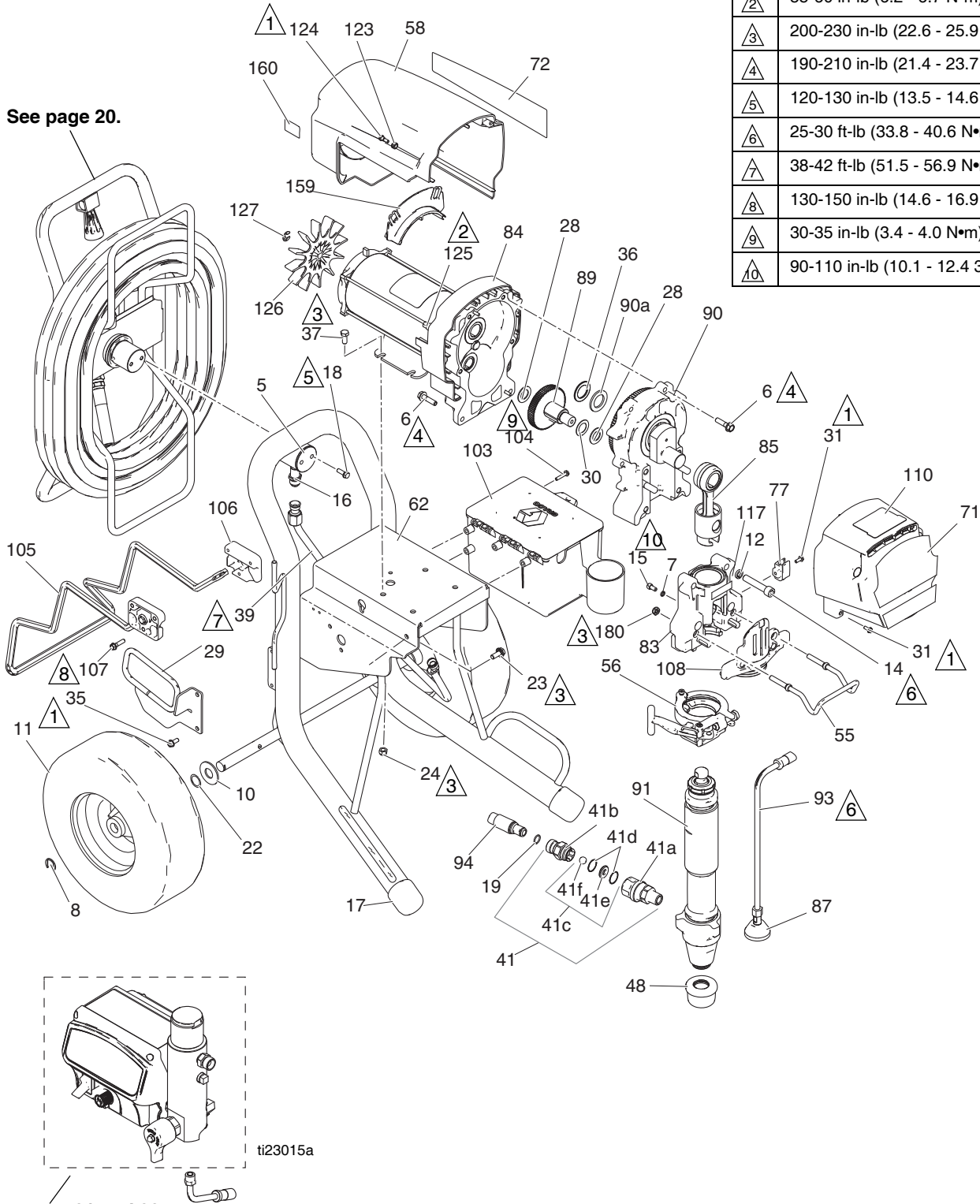
## 1095/1595/MARK V ProContractor Parts List

| Ref. | Part   | Description  | Qty. | Ref. | Part   | Description   | Qty. |
|------|--------|--|------|------|--------|---|------|
| 5    | 16C975 | PLATE, pivot                                       | 1    |      | 16X793 | 1595 Ultimate   |      |
| 6    | 15C753 | SCREW, mach, hex wash hd                           | 5    | 76   | 248215 | TUBE, intake; <i>includes 109</i>   | 1    |
| 7    | 105510 | WASHER, lock                                       | 2    | 77   | 16X203 | CLIP, drain line  | 1    |
| 8    | 15E891 | CLIP, retaining                                    | 2    | 83   | 24V088 | HOUSING, bearing; <i>includes 7, 12, 14, 15, 24, 31, 55, 56, 77, 108, 117</i> | 1    |
| 10   | 156306 | WASHER, flat                                       | 2    |      |        |   |      |
| 11   | 119509 | WHEEL, pneumatic                                   | 2    | 84   |        | MOTOR, electric; <i>includes 126, 127</i>                                     | 1    |
| 12   | 106115 | WASHER, lock (hi-collar)                           | 4    |      | 257187 | 1095 Models   |      |
| 14   | 114666 | SCREW, cap, socket head                            | 4    |      | 257188 | 1595/Mark V Models  |      |
| 15   | 101550 | SCREW, cap, sch                                    | 2    | 85   | 24V085 | ROD, connecting   | 1    |
| 16   | 121311 | FITTING, connector                                 | 1    | 87   | 241920 | DEFLECTOR, threaded   | 1    |
| 17   | 276974 | CAP, leg   | 2    | 89   | 287290 | GEAR, combination;  | 1    |
| 18   | 260212 | SCREW, hex washer hd                               | 2    |      |        | <i>includes 28, 30</i>  |      |
| 19   |        | PACKING, o-ring                                    | 1    | 90   |        | HOUSING, drive, M1;   | 1    |
|      | 107505 | 1095/1595  |      |      |        | <i>includes 6, 36, 90a</i>  |      |
|      | 102982 | Mark V   |      |      | 287294 | 1095 Models   |      |
| 22   | 116038 | WASHER, wave spring                                | 2    |      | 287295 | 1595/Mark V Models  |      |
| 23   | 117791 | SCREW, cap tri lobe                                | 2    | 90a  | 194173 | WASHER, race, thrust  | 1    |
| 24   | 111040 | NUT, lock, insert                                  | 6    | 91   |        | PUMP, displacement;   | 1    |
| 25   | 16X833 | FITTING, quick disconnect, (1095/1595 only)        | 1    |      | 16X419 | 1095/1595 Models  |      |
| 27   | 120583 | NUT, hand (1095/1595 only)                         | 1    |      | 16X421 | Mark V Models   |      |
| 28   | 114672 | WASHER, thrust                                     | 2    | 93   | 244240 | HOSE, drain; <i>includes 87</i>   | 1    |
| 29   | 278083 | GUIDE, hose, ultra platinum                        | 1    | 94   |        | HOSE, coupled 3/8 x 15.75   | 1    |
| 30   | 114699 | WASHER, thrust                                     | 1    |      | 16X904 | 1095/1595   |      |
| 31   | 118444 | SCREW, mach, slot hex wash hd                      | 5    |      | 24V029 | Mark V; <i>includes 19</i>  |      |
| 35   | 117633 | SCREW, slot hex wash hd                            | 2    | 103  | 287253 | TOOL BOX; <i>includes 104</i>   | 1    |
| 36   | 116192 | WASHER, thrust, 1595                               | 1    | 104  | 118852 | SCREW, thd forming, hex washer hd   | 3    |
| 37   | 100057 | SCREW, cap, hex hd                                 | 4    | 105  | 16X698 | HANGER, stand, cart   | 1    |
| 39   | 24J081 | TUBE, formed, ultra, platinum                      | 1    | 106  | 15C982 | CAM, cart   | 2    |
| 41   |        | FITTING, pump, QD                                  | 1    | 107  | 114531 | SCREW, mach, hex washer hd  | 4    |
|      | 16Y579 | 1095/1595  |      | 108  | 16X385 | PLATE, front, 5900 PCII   |      |
|      | 16X834 | Mark V   |      | 109  | 118494 | PACKING, o-ring   | 1    |
| 48   | 189920 | STRAINER, (1-11 1/2 npsm)                          | 1    | 110  | 16X981 | LABEL, ProContractor Series   | 1    |
| 51   | 24V024 | COVER, drive, plastic, painted; <i>includes 31</i> | 1    | 117  | 187437 | LABEL, torque   | 1    |
| 55   | 16C457 | HANGER, pail                                       | 1    | 123  | 276980 | GROMMET, cover  | 2    |
| 56   | 16X324 | CLAMP, pump, large                                 | 1    | 124  | 119250 | SCREW, shoulder   | 3    |
| 58   | 287282 | SHIELD, motor, painted; <i>includes 123, 124</i>   | 1    | 126  | 15D088 | FAN, motor  | 1    |
| 62   | 24Y426 | FRAME, platinum, 1095/MARK V                       | 1    | 127  | 115477 | SCREW, mach, torx pan hd  | 1    |
| 71   |        | LABEL, brand, front                                | 1    | 128▲ | 222385 | TAG, warning (not shown)  |      |
|      | 16X368 | 1095 Ultra   |      | 159  | 278075 | BRACKET, wire   | 1    |
|      | 16X371 | 1595 Ultra   |      | 160  | 15Y118 | LABEL, Made in the USA  | 1    |
|      | 16X360 | Mark V TexSpray                                    |      |      |        |   |      |
|      | 16X790 | 1095 Ultimate                                      |      |      |        |   |      |
|      | 16X792 | 1595 Ultimate                                      |      |      |        |   |      |
| 72   |        | LABEL, brand, side                                 | 1    |      |        |   |      |
|      | 16X369 | 1095 Ultra   |      |      |        |   |      |
|      | 16X370 | 1595 Ultra   |      |      |        |   |      |
|      | 16X361 | Mark V TexSpray                                    |      |      |        |   |      |
|      | 16X791 | 1095 Ultimate                                      |      |      |        |   |      |

▲ Extra Danger and Warning tags and labels available free.

# Mark X ProContractor

| Ref. | Torque                          |
|------|---------------------------------|
| ①    | 40-45 in-lb (4.5 - 5.0 N•m)     |
| ②    | 55-60 in-lb (6.2 - 6.7 N•m)     |
| ③    | 200-230 in-lb (22.6 - 25.9 N•m) |
| ④    | 190-210 in-lb (21.4 - 23.7 N•m) |
| ⑤    | 120-130 in-lb (13.5 - 14.6 N•m) |
| ⑥    | 25-30 ft-lb (33.8 - 40.6 N•m)   |
| ⑦    | 38-42 ft-lb (51.5 - 56.9 N•m)   |
| ⑧    | 130-150 in-lb (14.6 - 16.9 N•m) |
| ⑨    | 30-35 in-lb (3.4 - 4.0 N•m)     |
| ⑩    | 90-110 in-lb (10.1 - 12.4 N•m)  |





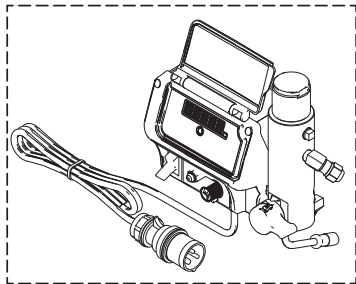
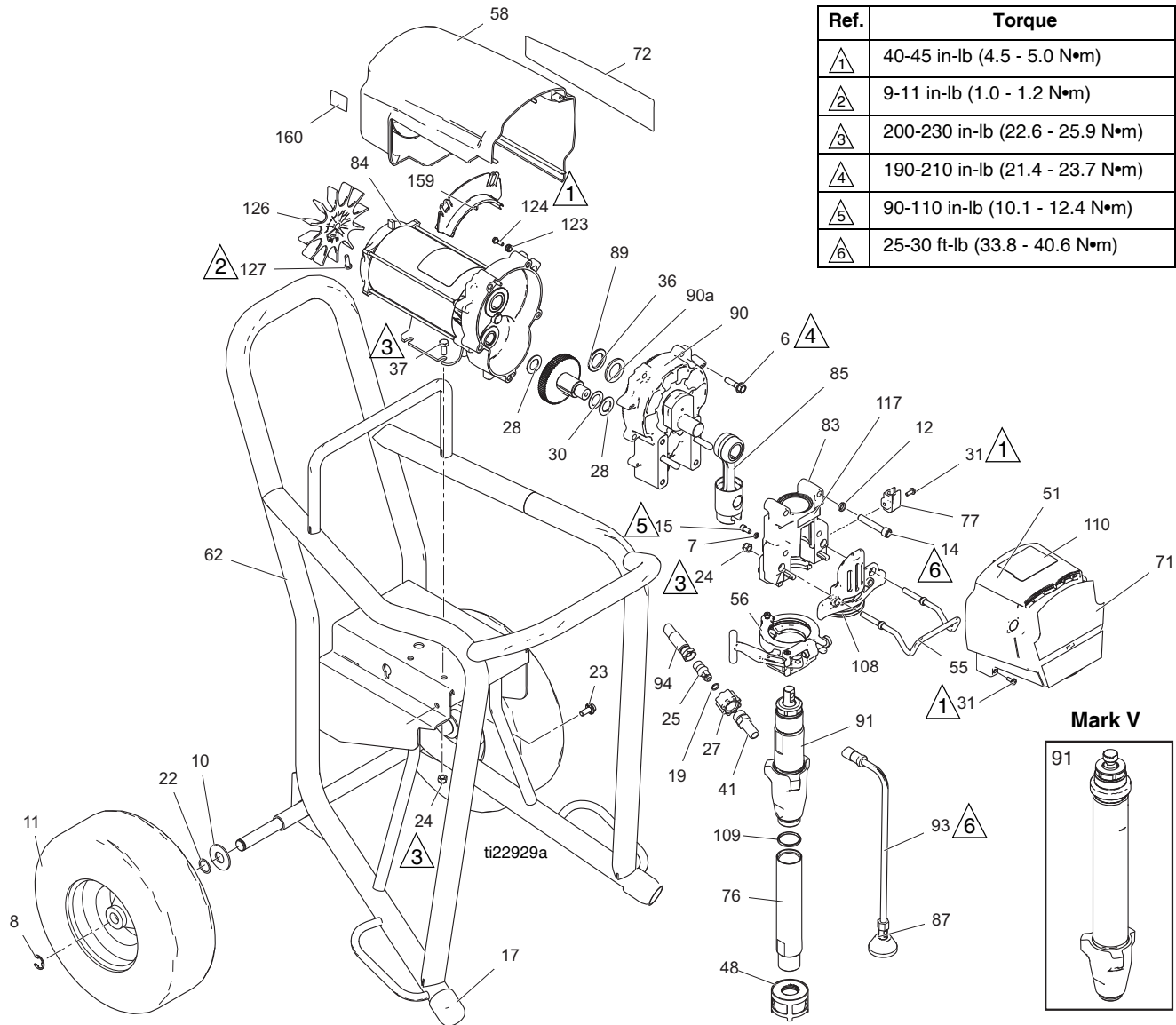
## Mark X ProContractor

| Ref. | Part   | Description  | Qty. | Ref. | Part   | Description   | Qty. |
|------|--------|--|------|------|--------|---|------|
| 5    | 16C975 | PLATE, pivot   | 1    | 71   | 16X362 | LABEL, front  | 1    |
| 6    | 15C753 | SCREW, mach, hex wash hd                                   | 6    | 72   | 16X363 | LABEL, right side   | 1    |
| 7    | 105510 | WASHER, lock, spring                                       | 2    | 77   | 16X203 | CLIP, drain line  | 1    |
| 8    | 15E891 | CLIP, retaining  | 2    | 83   | 24V089 | HOUSING, bearing;<br><i>includes 7, 12, 14, 15, 31, 55, 56,<br/>77, 108, 117, 180</i> | 1    |
| 10   | 156306 | WASHER, flat   | 2    |      |        |   |      |
| 11   | 119509 | WHEEL, pneumatic   | 2    |      |        |   |      |
| 12   | 112600 | WASHER, lock (hi-collar)                                   | 4    | 84   | 258909 | MOTOR, electric; <i>includes 125,<br/>126, 127</i>                                    | 1    |
| 14   | 112599 | SCREW, cap, socket head                                    | 4    |      |        |   |      |
| 15   | 101550 | SCREW, cap, sch  | 2    | 85   | 24V086 | ROD, connecting   | 1    |
| 16   | 121311 | FITTING, connector   | 1    | 87   | 241920 | DEFLECTOR, threaded   | 1    |
| 17   | 276974 | CAP, leg   | 2    | 89   | 288035 | GEAR, combination;<br><i>includes 28, 30</i>  | 1    |
| 18   | 260212 | SCREW, hex washer, hd                                      | 2    |      |        |   |      |
| 19   | 102982 | O-RING   | 1    | 90   | 287990 | HOUSING, drive;<br><i>includes 6, 36, 90a</i>   | 1    |
| 22   | 116038 | WASHER, wave spring  | 2    |      |        |   |      |
| 23   | 117791 | SCREW, cap, tri lobe                                       | 2    | 90a  | 194173 | WASHER, race, thrust  | 1    |
| 24   | 111040 | NUT, lock, insert  | 4    | 91   | 16X427 | PUMP, displacement  | 1    |
| 28   | 114672 | WASHER, thrust   | 2    | 93   | 244240 | HOSE, drain; <i>includes 87</i>   | 1    |
| 29   | 24M197 | GUIDE, hose, ultra platinum                                | 1    | 94   | 24V029 | KIT, hose, cpld, 1/2 in.; <i>includes 19</i>  | 1    |
| 30   | 114699 | WASHER, thrust   | 1    | 103  | 287253 | TOOL BOX; <i>includes 104</i>   | 1    |
| 31   | 118444 | SCREW, mach, slot hex wash hd                              | 5    | 104  | 118852 | SCREW, thd forming, hex washer hd   | 3    |
| 35   | 117633 | SCREW, slot hex wash hd                                    | 2    | 105  | 16X698 | HANGER, stand, cart   | 1    |
| 36   | 116192 | WASHER, thrust, 1595                                       | 1    | 106  | 15C982 | CAM, cart   | 2    |
| 37   | 100057 | SCREW, cap, hex hd   | 4    | 107  | 114531 | SCREW, mach, hex washer hd  | 4    |
| 39   | 16M441 | TUBE, formed, ultra, platinum                              | 1    | 108  | 16X209 | PLATE, front, PCII, 7900  | 1    |
| 41   | 24U755 | FITTING  | 1    | 110  | 16X981 | LABEL, ProContractor Series   | 1    |
| 41a  | 16N461 | HOUSING, seat, check valve                                 | 1    | 117  | 187437 | LABEL, torque   | 1    |
| 41b  | 16X837 | HOUSING, ball, check valve                                 | 1    | 123  | 276980 | GROMMET, cover  | 2    |
| 41c  | 24M725 | KIT, repair, check valve;<br><i>includes 41d, 41e, 41f</i> | 1    | 124  | 119250 | SCREW, shoulder   | 3    |
| 41d  |        | O-RING   | 1    | 125  | 15G845 | SPACER, standoff  | 2    |
| 41e  |        | SEAT   | 1    | 126  | 15V577 | FAN, motor  | 1    |
| 41f  |        | BALL   | 1    | 127  | 122347 | RING, retaining   | 1    |
| 48   | 189920 | STRAINER, (1-11 1/2 npsm)                                  | 1    | 128▲ | 222385 | TAG, warning (not shown)  |      |
| 51   | 24V025 | COVER, drive, plastic, painted;<br><i>includes 31</i>      | 1    | 159  | 278075 | BRACKET, wire   | 1    |
| 55   | 16C457 | PACKING, o-ring  | 1    | 160  | 15Y118 | LABEL, Made in the USA  | 1    |
| 56   | 16X324 | CLAMP, pump, large   | 1    | 180  | 112746 | NUT, lock, thin pattern   | 2    |
| 58   | 287282 | SHIELD, motor, painted;<br><i>includes 123, 124</i>        | 1    |      |        |   |      |
| 62   | 24Y426 | FRAME, platinum, 1095/MARK V                               | 1    |      |        |   |      |

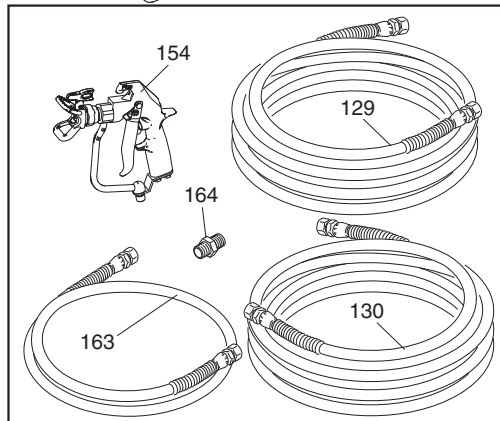
▲ Extra Danger and Warning tags and labels available free.

# 1095/1595/Mark V IronMan

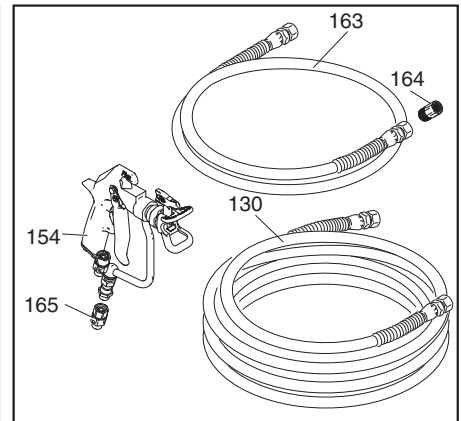
| Ref. | Torque                          |
|------|---------------------------------|
| 1    | 40-45 in-lb (4.5 - 5.0 N•m)     |
| 2    | 9-11 in-lb (1.0 - 1.2 N•m)      |
| 3    | 200-230 in-lb (22.6 - 25.9 N•m) |
| 4    | 190-210 in-lb (21.4 - 23.7 N•m) |
| 5    | 90-110 in-lb (10.1 - 12.4 N•m)  |
| 6    | 25-30 ft-lb (33.8 - 40.6 N•m)   |



See pages 21 and 23.



1095/1595



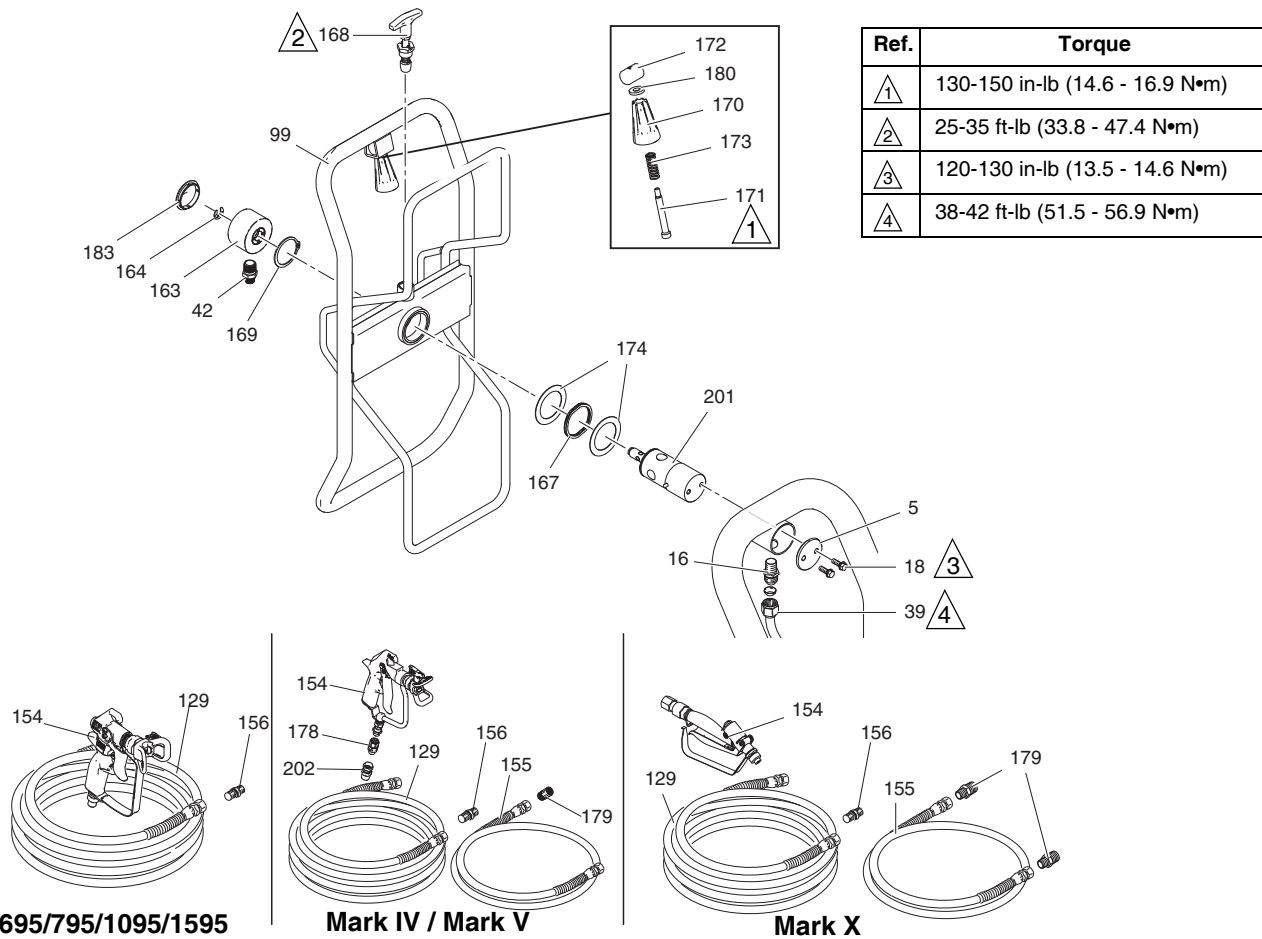
Mark V

# 1095/1595/Mark V IronMan

| Ref. | Part   | Description   | Qty. | Ref. | Part   | Description                                       | Qty. |
|------|--------|---|------|------|--------|---|------|
| 6    | 15C753 | SCREW, mach, torx, hex  | 5    | 85   | 24V085 | ROD, connecting                                   | 1    |
| 7    | 105510 | WASHER, lock, spring  | 2    | 87   | 241920 | DEFLECTOR, threaded                               | 1    |
| 8    | 120211 | CLIP, retaining   | 2    | 89   | 287290 | GEAR, combination;<br><i>includes 28, 30</i>      | 1    |
| 10   | 156306 | WASHER, flat  | 2    | 90   |        | HOUSING, drive, M1;<br><i>includes 6, 36, 90a</i> | 1    |
| 11   | 122267 | WHEEL, foam   | 2    |      | 287294 | 1095  |      |
| 12   | 106115 | WASH, lock, spring  | 4    |      | 287295 | 1595/Mark V                                       |      |
| 14   | 114666 | SCREW, cap, socket hd   | 4    | 90a  | 194173 | WASHER, race, thrust                              | 1    |
| 15   | 101550 | SCREW, cap, sch   | 2    | 91   |        | PUMP, displacement                                | 1    |
| 17   | 15C871 | CAP, leg  | 2    |      | 16X420 | 1095/1595; <i>includes 41, 109</i>                |      |
| 19   |        | PACKING, o-ring   | 1    |      | 16Y599 | Mark V  |      |
|      | 107505 | 1095/1595   |      | 93   | 244240 | HOSE, drain; <i>includes 87</i>                   | 1    |
|      | 102982 | Mark V  |      | 94   |        | HOSE, coupled 3/8 x 15.75                         | 1    |
| 22   | 116038 | WASHER, wave spring   | 2    |      | 16X904 | 1595/1595   |      |
| 23   | 117791 | SCREW, cap, flng hd   | 2    |      | 24V029 | Mark V; <i>includes 19</i>                        |      |
| 24   | 111040 | NUT, lock, insert   | 6    | 108  | 16X385 | PLATE, front, 5900, PCII                          |      |
| 25   | 16X833 | FITTING, QD, 3/8 npsm,<br>1095/1595   | 1    | 109  | 118494 | PACKING, o-ring                                   | 1    |
| 27   | 120583 | NUT, hand, 1095/1595  | 6    | 110  | 16X982 | LABEL, IronMan series                             | 1    |
| 28   | 114672 | WASHER, thrust  | 2    | 117  | 187437 | LABEL, torque                                     | 1    |
| 30   | 114699 | WASHER, thrust  | 1    | 123  | 276980 | GROMMET, cover                                    | 2    |
| 31   | 118444 | SCREW, machine, hex washer hd   | 5    | 124  | 119250 | SCREW, shoulder, hex, washer                      | 3    |
| 36   | 116192 | WASHER, thrust  | 1    | 126  | 15D088 | FAN, motor  | 1    |
| 37   | 100057 | SCREW, cap, hex hd  | 4    | 127  | 115477 | SCREW, mach, torx, pan, hd                        | 1    |
| 41   |        | FITTING, pump, QD   | 1    | 128▲ | 222385 | TAG, WARNING (not shown)                          | 1    |
|      | 16Y579 | 1095/1595   |      | 129  |        | HOSE, cpld, 1/4 in. x 50 ft                       | 1    |
|      | 16X834 | Mark V  |      |      | 240794 | 1095/1595 Ultra                                   |      |
| 48   | 15V573 | STRAINER, (1-11 1/2 NPSM)   | 1    |      | 826079 | 1095/1595 Ultimate                                |      |
| 51   | 24V024 | COVER, drive, plastic, painted;<br><i>includes 31</i>                             | 1    | 130  |        | HOSE, cpld, 3/8 in. x 50 ft                       |      |
| 55   | 16C457 | HANGER, pail  | 1    |      | 240797 | 1095/1595/Ultimate                                | 1    |
| 56   | 16X324 | CLAMP, pump, large  | 1    |      | 240797 | Mark V  | 2    |
| 58   | 287282 | SHIELD, motor, painted;<br><i>includes 123, 124</i>                               | 1    |      | 826080 | 1095/1595 Ultimate                                | 1    |
| 62   | 16X711 | FRAME, cart, 1095/1595  | 1    | 154  |        | GUN   | 1    |
| 71   |        | LABEL, UltraMax   | 1    |      | 246240 | 1095/1595   |      |
|      | 16X368 | Ultra 1095  |      |      | 241705 | Mark V  |      |
|      | 16X371 | Ultra 1595  |      | 159  | 278075 | BRACKET, wire                                     |      |
|      | 16X790 | Ultimate 1095   |      | 160  | 15Y118 | LABEL, Made in USA                                | 1    |
|      | 16X792 | Ultimate 1595   |      | 163  |        | HOSE, coupled                                     | 1    |
|      | 16X360 | TexSpray/Mark V   |      |      | 277322 | 1095/1595   |      |
| 72   |        | LABEL, UltraMax II, 1095/1595   | 1    |      | 241735 | Mark V  |      |
|      | 16X369 | Ultra 1095  |      | 164  |        | FITTING   | 1    |
|      | 16X370 | Ultra 1595  |      |      | 164672 | 1095/1595   |      |
|      | 16X791 | Ultimate 1095   |      |      | 159841 | Mark V  |      |
|      | 16X793 | Ultimate 1595   |      | 165  | 189018 | SWIVEL, assembly                                  | 1    |
|      | 16X361 | TexSpray Mark V   |      |      |        |   |      |
| 76   | 248215 | TUBE, intake; <i>includes 109</i>   | 1    |      |        |   |      |
| 77   | 16X203 | CLIP, drain line  | 1    |      |        |   |      |
| 83   | 24V088 | HOUSING, bearing; <i>includes 7, 12,<br/>14, 15, 24, 31, 55, 56, 77, 108, 117</i> | 1    |      |        |   |      |
| 84   |        | MOTOR, electric; <i>includes 126, 127</i>   | 1    |      |        |   |      |
|      | 257187 | 1095  |      |      |        |   |      |
|      | 257188 | 1595/Mark V   |      |      |        |   |      |

▲ Extra Danger and Warning tags and labels available free.

# Hose Reel and Gun

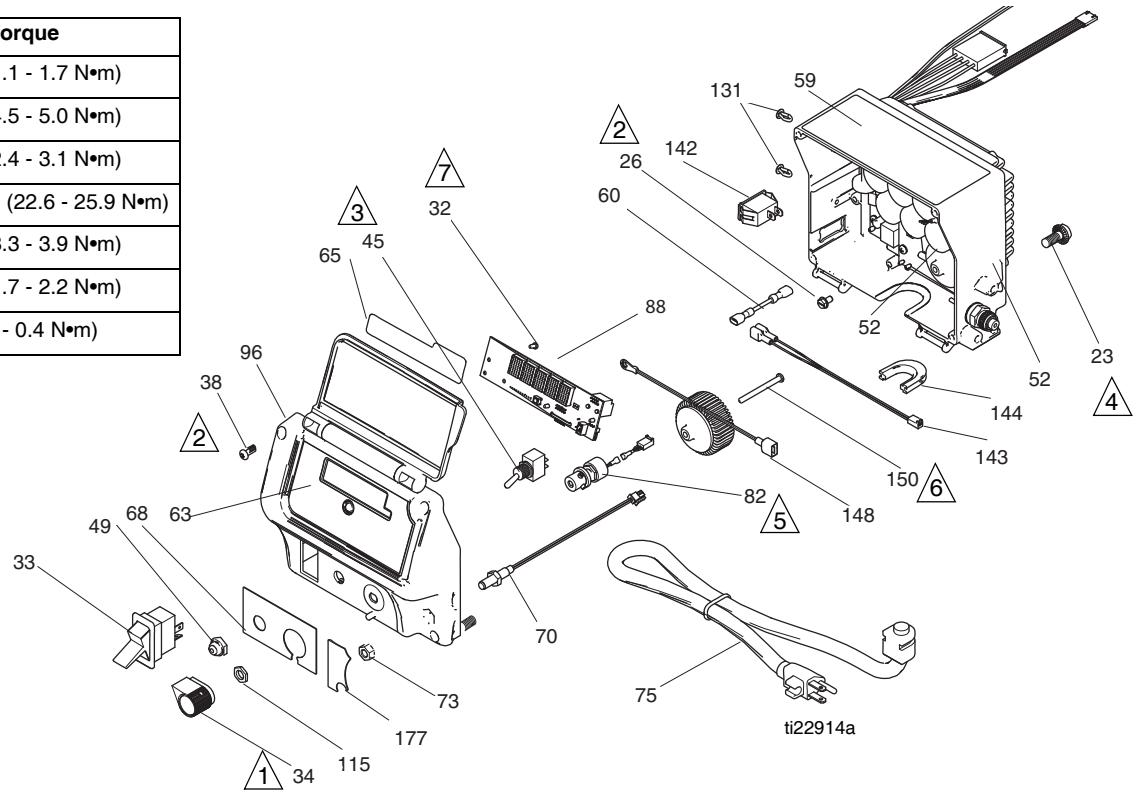


## Parts List

| Ref. | Part   | Description                   | Qty. | Ref.   | Part              | Description               | Qty. |
|------|--------|-------------------------------|------|--------|-------------------|---------------------------|------|
| 5    | 16C975 | PLATE, Pivot Mount            | 1    | 241735 | Mark IV, Mark V   |                           |      |
| 16   | 121311 | FITTING, Connector, NPT x JIC | 1    | 191239 | Mark X            |                           |      |
| 18   | 260212 | SCREW, Hex Washer HD          | 2    | 156    | ADAPTER           |                           | 1    |
| 39   |        | TUBE, Formed, Ultra, Platinum | 1    | 162453 | 695/795/1095/1595 |                           |      |
|      | 24V095 | 695/795 Models                |      | 196178 | Mark IV/Mark V    |                           |      |
|      | 24J081 | 1095/Mark V Models            |      | 158491 | Mark X            |                           |      |
|      | 16M441 | Mark X                        |      | 163    | 24B248            | CAP, swivel, complete     | 1    |
| 42   |        | ADAPTER                       | 1    | 164    | 122347            | RING, retaining, external | 1    |
|      | 164672 | 695/795/1095/1595             |      | 167    | 122534            | SPRING, wave              | 1    |
|      | 196178 | Mark IV/Mark V                |      | 168    | 24E400            | PIN, pop, lock out        | 1    |
|      | 159239 | Mark X                        |      | 169    | 122524            | RING, retaining, external | 1    |
| 99   | 24B691 | REEL, hose, ultra             | 1    | 170    | 278085            | HANDLE, swivel            | 1    |
| 129  |        | HOSE, coupled                 |      | 171    | 122518            | PIN                       | 1    |
|      | 240794 | 695/795/1095/1595 Ultra       | 2    | 172    | 15X618            | NUT, pin                  | 1    |
|      | 826079 | 695/795/1095/1595 Ultimate    | 2    | 173    | 122542            | SPRING                    | 1    |
|      | 245225 | Mark IV/Mark V                | 2    | 174    | 122607            | WASHER, flat              | 2    |
|      | 278499 | Mark X                        | 2    | 178    | 189018            | SWIVEL                    | 1    |
| 154  |        | GUN, spray                    |      | 179    | BUSHING           |                           |      |
|      | 288420 | 695/795/1095/1595 Ultra       | 1    | 110476 | Mark IV/Mark V    |                           | 1    |
|      | 826085 | 695/795/1095/1595 Ultimate    | 1    | 159239 | Mark X            |                           | 2    |
|      | 241705 | Mark V Models                 | 1    | 180    | 122669            | WASHER                    | 1    |
|      | 246468 | Mark IV Models                | 1    | 183    | 122787            | CAP                       | 1    |
|      | 245820 | Mark X                        | 1    | 201    | 24E016            | TUBE, Hose Reel, Pivot    | 1    |
| 155  |        | HOSE, whip                    | 1    | 202    | 110476            | ADAPTER, Mark VII         | 1    |

# Control Box

| Ref. | Torque                          |
|------|---------------------------------|
| 1    | 10-15 in-lb (1.1 - 1.7 N•m)     |
| 2    | 40-45 in-lb (4.5 - 5.0 N•m)     |
| 3    | 22-28 in-lb (2.4 - 3.1 N•m)     |
| 4    | 200-230 in-lb (22.6 - 25.9 N•m) |
| 5    | 30-35 in-lb (3.3 - 3.9 N•m)     |
| 6    | 15-20 in-lb (1.7 - 2.2 N•m)     |
| 7    | 2-3 in-lb (0.2 - 0.4 N•m)       |



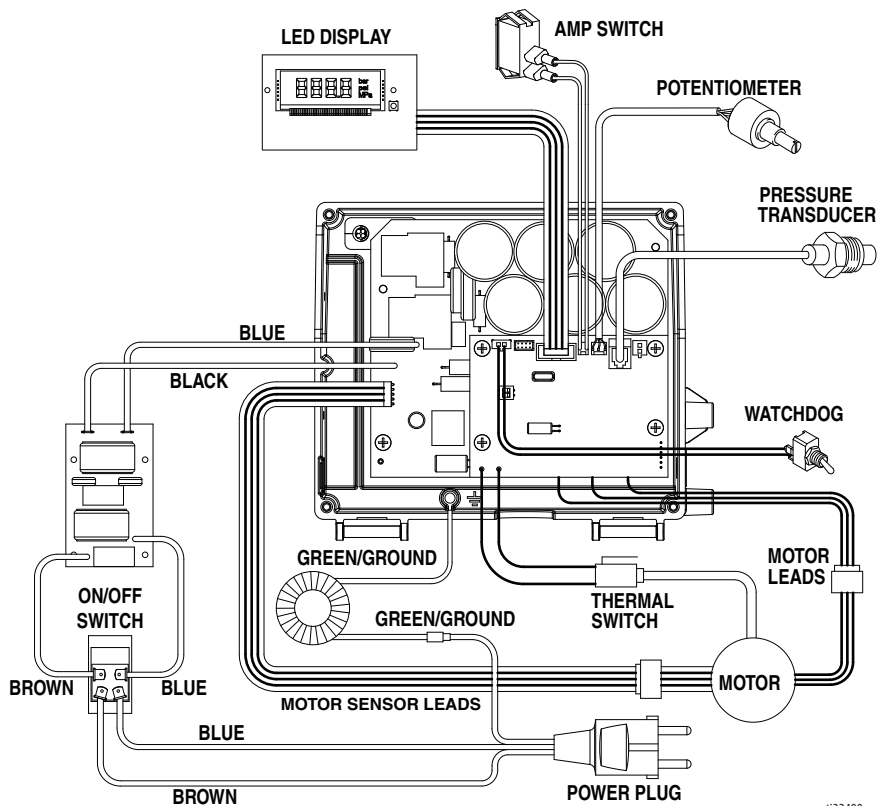
## Parts List

| Ref. | Part   | Description                               | Qty. | Ref.   | Part                                   | Description                            | Qty. |
|------|--------|---|------|--------|--|--|------|
| 23   | 117791 | SCREW, cap, flange head                   | 2    | 16Z019 | LIGHT, ProGuard (Standard series)      | 1                                      |      |
| 26   | 114391 | SCREW, grounding                          | 1    | 73     | 100187                                 | NUT                                    | 1    |
| 32   | 115522 | SCREW, mach, pnh                          | 3    | 75     |  | CORD, power                            | 1    |
|      |        | (ProContractor/IronMan series)            |      | 17J160 | 120V Models 695, 795, 1095, Mark IV    |  |      |
| 33   | 15C979 | SWITCH, rocker, ON/OFF                    | 1    | 15H065 | 120V Models 1595, Mark V               |  |      |
|      | 15D527 | SWITCH, rocker, Mark X                    | 1    | 15R876 | Mark X                                 |  |      |
| 34   | 116167 | KNOB, potentiometer                       | 1    | 15H066 | 120V CSA Models 1595, Mark V           |  |      |
| 38   | 16V095 | SCREW, #10, taptite phil                  | 4    | 82     | 256219                                 | POTENTIOMETR, assembly                 | 1    |
| 45   | 119541 | SWITCH, toggle,                           | 1    | 88     | 16Y496                                 | DISPLAY                                | 1    |
|      |        | (ProContractor/IronMan series)            |      | 96     |  | COVER, control                         | 1    |
| 49   | 195428 | BOOT, toggle                              | 1    | 24V061 | ProContractor/IronMan series;          |  |      |
|      |        | (ProContractor/IronMan series)            |      |        | <i>includes 32, 38, 63, 65, 68, 88</i> |  |      |
| 52   |        | CONTROL, board;                           | 1    | 24V062 | Standard series;                       |  |      |
|      |        | <i>includes 23, 26, 60, 131, 142, 144</i> |      |        | <i>includes 38, 63, 68</i>             |  |      |
|      | 24P847 | 120V Models                               |      | 115    | 15C973                                 | GASKET                                 | 1    |
|      | 24P848 | 240V Models                               |      | 131    | 16T482                                 | RIVET, snap                            | 2    |
| 59▲  | 16T784 | LABEL, warning, domestic                  | 1    | 142    |  | SWITCH/PLUG                            | 1    |
| 60   | 16T541 | JUMPER WIRE                               | 1    | 16T483 | 695/795/1095/Mark IV/Mark X            |  |      |
| 63   | 16X796 | LABEL, LCD, GMAX                          | 1    | 120059 | 1595/Mark V (15/20 amp)                |  |      |
|      |        | (ProContractor/IronMan series)            |      | 143    | 15G935                                 | CONNECTOR, electrical (1595/Mark V)    | 1    |
|      | 16Y785 | LABEL, control box cover, ultra           | 1    | 144    |  | STRAIN RELIEF                          | 1    |
|      |        | (Standard series)                         |      | 16T547 | 695/795/1095/Mark IV                   |  |      |
| 65   | 16X797 | LABEL, control box cover, ultra           | 1    | 116171 | 1595/Mark V/Mark X                     |  |      |
|      |        | (ProContractor/IronMan series)            |      | 148    | 24V030                                 | KIT, repair, coil; <i>includes 150</i> | 1    |
| 68   | 16Y789 | LABEL, control                            | 1    | 150    | 16U215                                 | SCREW, machine, flat head              | 1    |
|      |        | (ProContractor/IronMan series)            |      | 177    | 16Y791                                 | LABEL, blank, elec, std (Standard)     | 1    |
|      | 16Y786 | LABEL, control                            | 1    |        | 16Y790                                 | ProContractor/IronMan                  | 1    |
|      |        | (Standard series)                         |      |        | 16Y788                                 | Mark X ProContractor                   | 1    |
| 70   | 122507 | SWITCH, reed                              | 1    |        |  |  |      |
|      |        | (ProContractor/IronMan series)            |      |        |  |  |      |

▲ Extra Danger and Warning tags and labels available free.

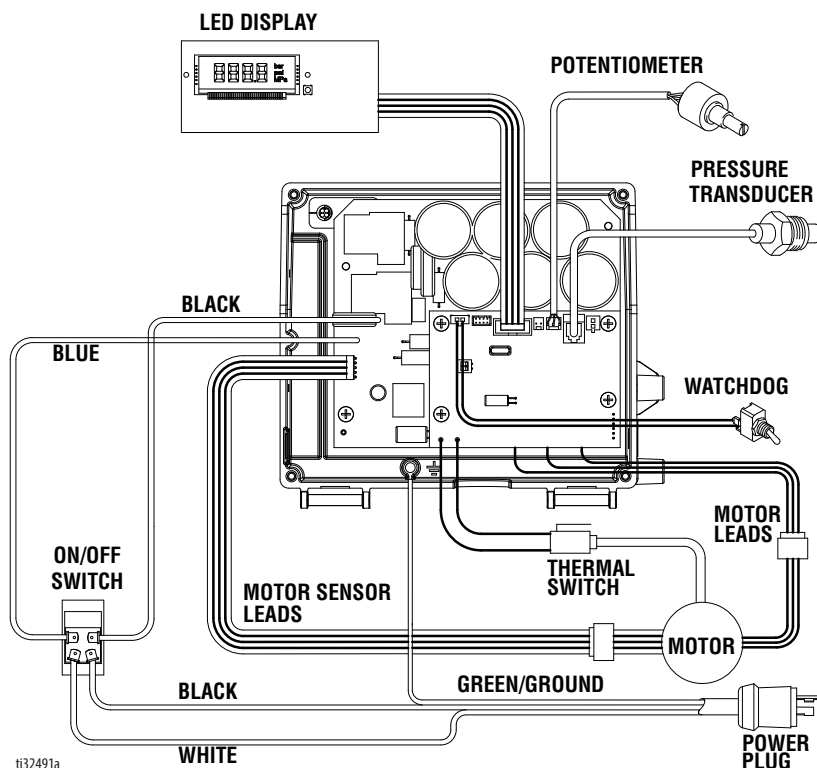
# Wiring Diagram

## MARK X 230V



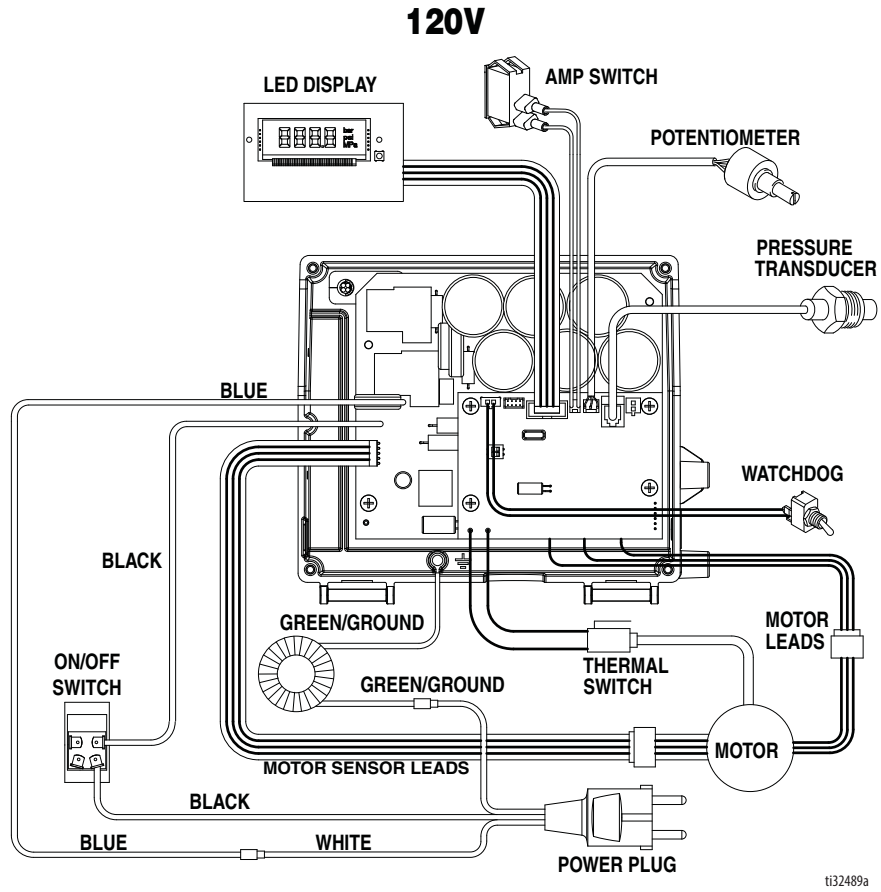
ti32490a

## MARK X 120V

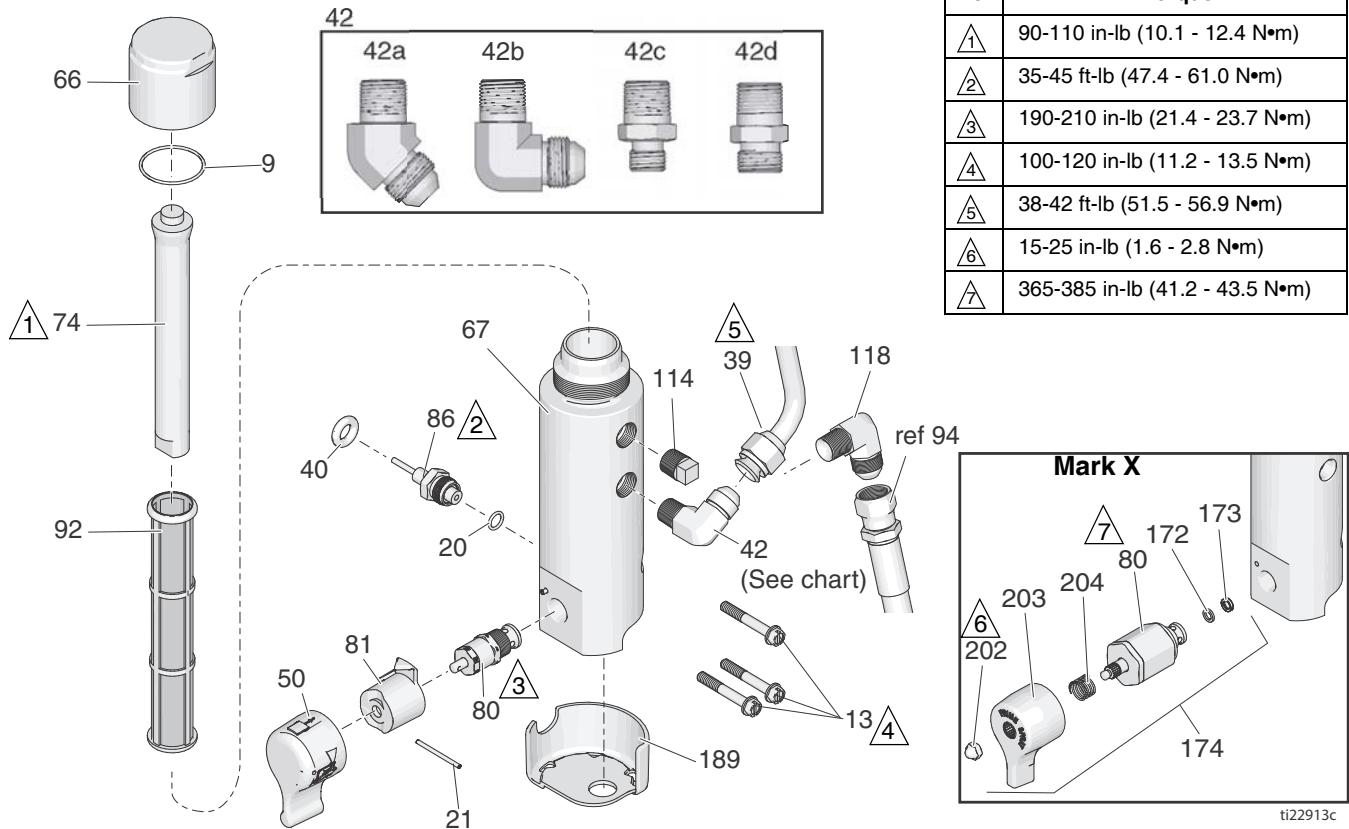


ti32491a

# Wiring Diagram



# Filter



| Ref. | Torque                          |
|------|---------------------------------|
| △1   | 90-110 in-lb (10.1 - 12.4 N•m)  |
| △2   | 35-45 ft-lb (47.4 - 61.0 N•m)   |
| △3   | 190-210 in-lb (21.4 - 23.7 N•m) |
| △4   | 100-120 in-lb (11.2 - 13.5 N•m) |
| △5   | 38-42 ft-lb (51.5 - 56.9 N•m)   |
| △6   | 15-25 in-lb (1.6 - 2.8 N•m)     |
| △7   | 365-385 in-lb (41.2 - 43.5 N•m) |

## Parts List

| Ref. | Part   | Description                         | Qty. | Ref. | Part   | Description  | Qty. |
|------|--------|-------------------------------------|------|------|--------|--|------|
| 9    | 117285 | PACKING, o-ring                     | 1    | 80   | 24B156 | VALVE, prime, HD                                   | 1    |
| 13   | 16U013 | SCREW, cap, socket head             | 3    |      | 287879 | VALVE, prime, Mark X                               | 1    |
| 20   | 111457 | PACKING, o-ring                     | 1    | 81   |        | BASE, valve  | 1    |
| 21   | 15C972 | PIN, grooved                        | 1    |      | 24A382 | Standard series                                    |      |
| 39   |        | TUBE, formed                        | 1    |      | 24D286 | ProContractor/IronMan                              |      |
|      | 24V095 | 695/795 Models                      |      | 86   | 243222 | TRANSDUCER, pressure control;                      | 1    |
|      | 24J081 | 1095/Mark V Models                  |      |      |        | <i>includes 20</i>                                 |      |
|      | 16M441 | Mark X                              |      | 92   |        | FILTER, fluid                                      | 1    |
| 40   | 121889 | GROMMET, transducer                 | 1    |      | 244071 | 30 mesh  |      |
| 42   |        | FITTING                             | 1    |      | 244067 | 60 mesh, original equipment                        |      |
| 42a  | 122533 | 1095/1595/Mark V                    |      |      | 244068 | 100 mesh   |      |
|      |        | (ProContractor series)              |      |      | 244069 | 200 mesh   |      |
| 42b  | 125926 | 695/795/Mark IV/Mark X              |      | 114  | 104813 | PLUG, pipe, 3/8                                    | 1    |
|      |        | (ProContractor series)              |      | 118  | 125926 | FITTING, elbow                                     | 1    |
| 42c  | 164672 | 695/795/1095/1595 (Standard series) |      | 172  | 193709 | SEAT, valve  | 1    |
| 42d  | 196178 | Mark IV/Mark V (Standard series)    |      | 173  | 193710 | SEAL, seat, valve                                  | 1    |
|      |        | 1095/1595/Mark V (IronMan series)   |      | 174  | 245103 | KIT, repair, valve, Mark X;                        | 1    |
| 50   |        | KIT, handle; <i>includes 21, 81</i> | 1    |      |        | <i>includes 80, 172, 173, 202, 203, 204</i>        |      |
|      | 24E233 | ProContractor/IronMan Series        |      | 189  | 17A197 | GUARD, base, filter (ProContractor/IronMan Series) |      |
|      | 24E234 | Standard Series                     |      |      |        |  |      |
| 66   | 15C765 | CAP, filter                         | 1    | 202  | 116424 | NUT, Mark X  | 1    |
| 67   | 16T543 | BASE, filter                        | 1    | 203  | 15G563 | HANDLE, valve, Mark X                              | 1    |
| 74   | 15C766 | TUBE, diffusion                     | 1    | 204  | 114708 | SPRING, compression, Mark X                        | 1    |



# Graco Standard Warranty

Graco warrants all equipment referenced in this document which is manufactured by Graco and bearing its name to be free from defects in material and workmanship on the date of sale to the original purchaser for use. With the exception of any special, extended, or limited warranty published by Graco, Graco will, for a period of twelve months from the date of sale, repair or replace any part of the equipment determined by Graco to be defective. This warranty applies only when the equipment is installed, operated and maintained in accordance with Graco's written recommendations.

This warranty does not cover, and Graco shall not be liable for general wear and tear, or any malfunction, damage or wear caused by faulty installation, misapplication, abrasion, corrosion, inadequate or improper maintenance, negligence, accident, tampering, or substitution of non-Graco component parts. Nor shall Graco be liable for malfunction, damage or wear caused by the incompatibility of Graco equipment with structures, accessories, equipment or materials not supplied by Graco, or the improper design, manufacture, installation, operation or maintenance of structures, accessories, equipment or materials not supplied by Graco.

This warranty is conditioned upon the prepaid return of the equipment claimed to be defective to an authorized Graco distributor for verification of the claimed defect. If the claimed defect is verified, Graco will repair or replace free of charge any defective parts. The equipment will be returned to the original purchaser transportation prepaid. If inspection of the equipment does not disclose any defect in material or workmanship, repairs will be made at a reasonable charge, which charges may include the costs of parts, labor, and transportation.

**THIS WARRANTY IS EXCLUSIVE, AND IS IN LIEU OF ANY OTHER WARRANTIES, EXPRESS OR IMPLIED, INCLUDING BUT NOT LIMITED TO WARRANTY OF MERCHANTABILITY OR WARRANTY OF FITNESS FOR A PARTICULAR PURPOSE.**

Graco's sole obligation and buyer's sole remedy for any breach of warranty shall be as set forth above. The buyer agrees that no other remedy (including, but not limited to, incidental or consequential damages for lost profits, lost sales, injury to person or property, or any other incidental or consequential loss) shall be available. Any action for breach of warranty must be brought within two (2) years of the date of sale.

**GRACO MAKES NO WARRANTY, AND DISCLAIMS ALL IMPLIED WARRANTIES OF MERCHANTABILITY AND FITNESS FOR A PARTICULAR PURPOSE, IN CONNECTION WITH ACCESSORIES, EQUIPMENT, MATERIALS OR COMPONENTS SOLD BUT NOT MANUFACTURED BY GRACO.** These items sold, but not manufactured by Graco (such as electric motors, switches, hose, etc.), are subject to the warranty, if any, of their manufacturer. Graco will provide purchaser with reasonable assistance in making any claim for breach of these warranties.

In no event will Graco be liable for indirect, incidental, special or consequential damages resulting from Graco supplying equipment hereunder, or the furnishing, performance, or use of any products or other goods sold hereto, whether due to a breach of contract, breach of warranty, the negligence of Graco, or otherwise.

## **FOR GRACO CANADA CUSTOMERS**

The Parties acknowledge that they have required that the present document, as well as all documents, notices and legal proceedings entered into, given or instituted pursuant hereto or relating directly or indirectly hereto, be drawn up in English. Les parties reconnaissent avoir convenu que la rédaction du présente document sera en Anglais, ainsi que tous documents, avis et procédures judiciaires exécutés, donnés ou intentés, à la suite de ou en rapport, directement ou indirectement, avec les procédures concernées.

# Graco Information

For the latest information about Graco products, visit [www.graco.com](http://www.graco.com).

For patent information, see [www.graco.com/patents](http://www.graco.com/patents).

**TO PLACE AN ORDER**, contact your Graco distributor or call 1-800-690-2894 to identify the nearest distributor.

*All written and visual data contained in this document reflects the latest product information available at the time of publication.  
Graco reserves the right to make changes at any time without notice.*

Original instructions. This manual contains English. MM 332918

**Graco Headquarters:** Minneapolis

**International Offices:** Belgium, China, Japan, Korea

**GRACO INC. AND SUBSIDIARIES • P.O. BOX 1441 • MINNEAPOLIS MN 55440-1441 • USA**

**Copyright 2014, Graco Inc. All Graco manufacturing locations are registered to ISO 9001.**

[www.graco.com](http://www.graco.com)

Revision H, November 2017