

Roller Guide Kits

406743E
EN

- Roller Bracket Repair Kit: 218591**
- Cabinet Mounting Kit: 15Y478**
- Cord Reel Roller Bracket Repair Kit: 24N897**



Important Safety Instructions

Read all warnings and instructions in this manual and the LD, SD, and XD Series Hose Reel manual, XD30 Series High Capacity Hose Reel manual or Cord Reel Instruction manual. Save these instructions.

Roller Bracket Repair: 218591

Ref	Description	Qty
1	BRACKET, hose guide	1
2❖	SCREW, #10 - 32 x 3/4"	4
2‡	SCREW, M6 x 1.0 x 20	4
3	ROLLER, hose	4
4	PIN, roller	4
5	NUT, lock, #10 - 32 (not shown)	4

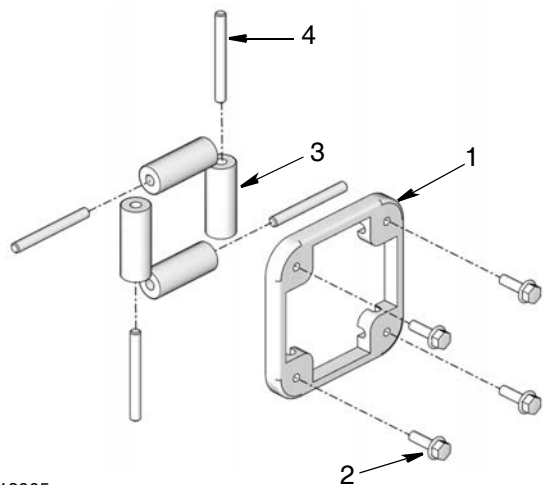
Cord Reel Roller Bracket Repair Kit: 24N897

Ref	Description	Qty
1	BRACKET, cord guide	1
2	SCREW, cap, button head, MG x 20	4
3	ROLLER, cord	4
4	PIN, roller	4
5	NUT, lock, #10 - 32 (not shown)	4

Cabinet Mounting Kit: 15Y478

Ref	Description	Qty
1	BRACKET, hose guide	1
2❖	SCREW, #10 - 32 x 3/4"	4
3	ROLLER, hose	4
4	PIN, roller	4
5	NUT, lock, #10 - 32 (not shown)	4
6	TEMPLATE, mounting (page 2)	1

❖ Used with 250/350/500 Series Hose Reels only. (Not shown)
‡ Used with LD, SD, and XD Series Hose Reels only.



ti13005a

