

Wall Mount Bracket Kit 24C637

406829C

Husky® 1050 Diaphragm Pumps

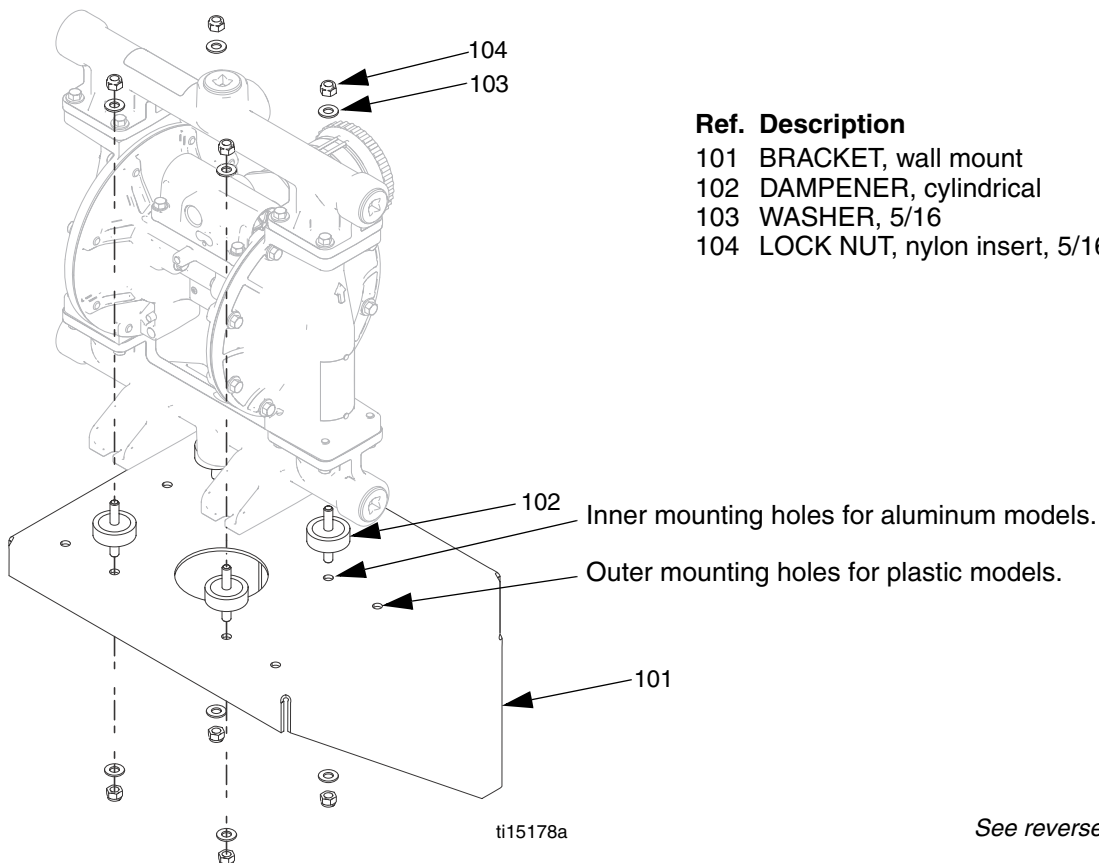
EN

For use with aluminum and plastic models. Do not use with hastelloy or stainless steel models.



Important Safety Instructions

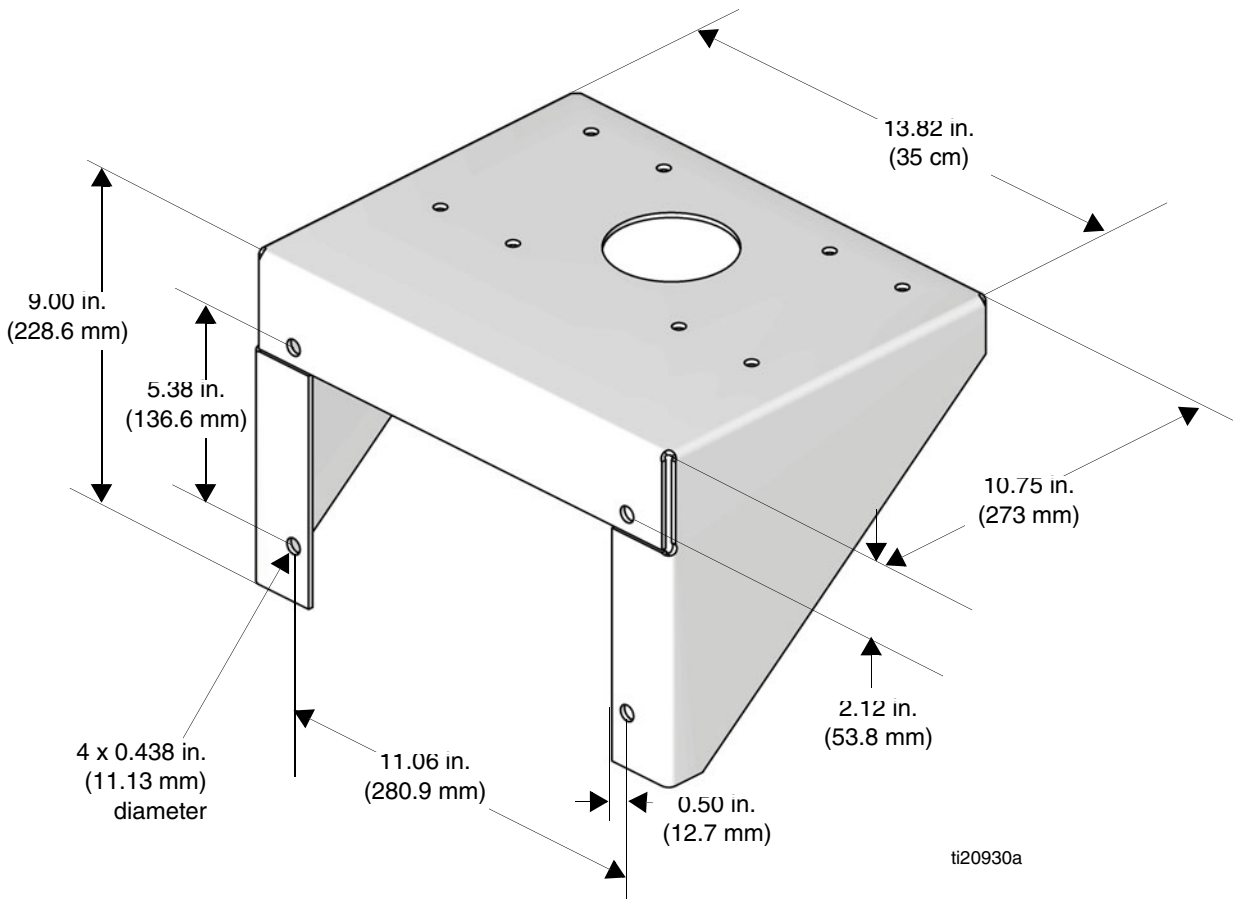
Read all warnings and instructions in the Husky® 1050 Air-Operated Diaphragm Pump Repair/Parts manual. Save all instructions.



Ref.	Description	Qty.
101	BRACKET, wall mount	1
102	DAMPENER, cylindrical	4
103	WASHER, 5/16	8
104	LOCK NUT, nylon insert, 5/16-18	8

See reverse for dimensions.

Mounting Dimensions



All written and visual data contained in this document reflects the latest product information available at the time of publication. Graco reserves the right to make changes at any time without notice.

Original instructions. This manual contains English. MM 406829

Graco Headquarters: Minneapolis
International Offices: Belgium, China, Japan, Korea

GRACO INC. AND SUBSIDIARIES • P.O. BOX 1441 • MINNEAPOLIS MN 55440-1441 • USA

Copyright 2010, Graco Inc. All Graco manufacturing locations are registered to ISO 9001.

www.graco.com
Rev. C - January 2013